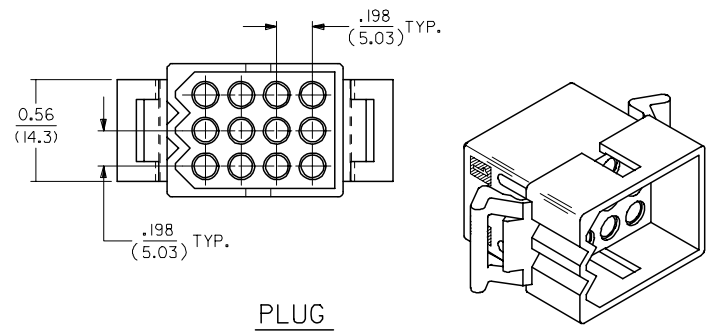
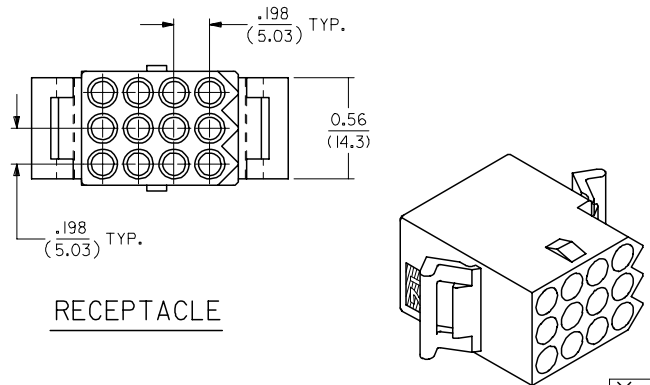
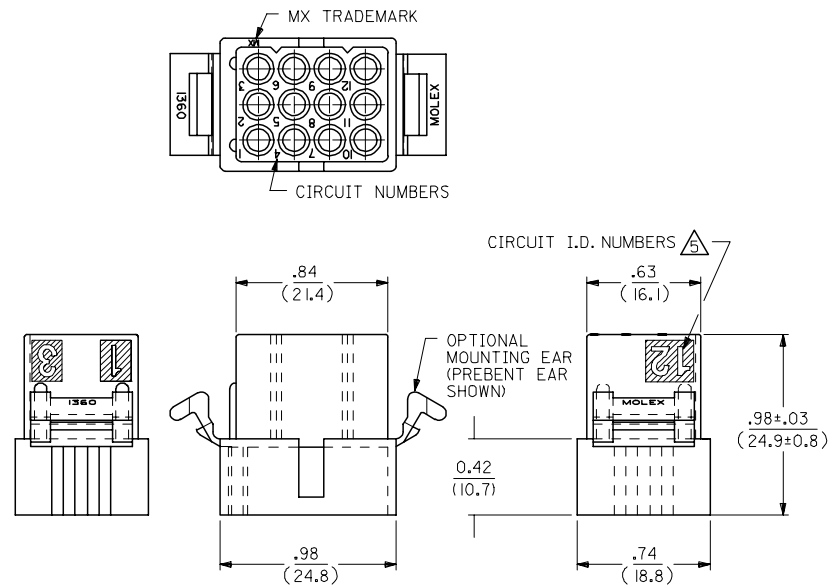
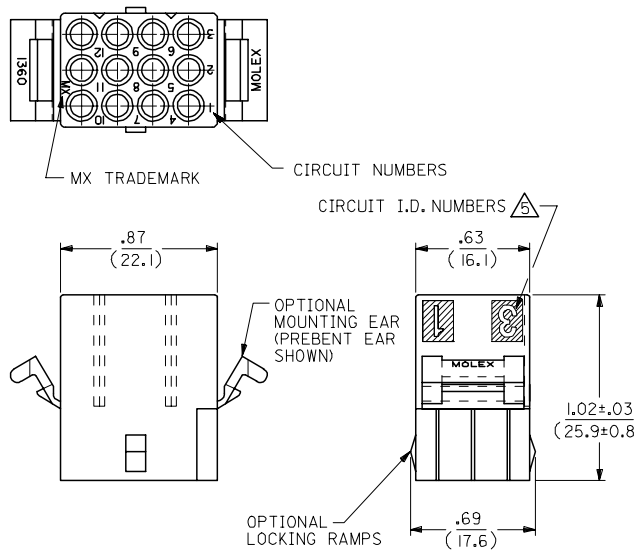


13 12 11 10 9 8 7 6 5 4 3 2 1

J
I
H
G
F
E
D
C
B
A

J
I
H
G
F
E
D
C
B
A



RECEPTACLE

PLUG

| | |
|---------|-----|
| 2 | AE1 |
| 1 | AE1 |
| SHT/REV | |

| UPDATE TITLE BLOCK EC NO: UCP2006-0080 DRAWN: JLOME CHKD: 2005/07/20 APPR: FSM TH 2005/07/21 REV DESCRIPTION AE1 | QUALITY SYMBOLS ▽=0 ▽=0 | GENERAL TOLERANCES (UNLESS SPECIFIED) <table border="1"> <tr> <th></th> <th>mm</th> <th>INCH</th> </tr> <tr> <td>4 PLACES</td> <td>± .10</td> <td>± .004</td> </tr> <tr> <td>3 PLACES</td> <td>± .12</td> <td>± .005</td> </tr> <tr> <td>2 PLACES</td> <td>± .15</td> <td>± .006</td> </tr> <tr> <td>1 PLACE</td> <td>± .25</td> <td>± .010</td> </tr> </table> ANGULAR ± 2 ° | | mm | INCH | 4 PLACES | ± .10 | ± .004 | 3 PLACES | ± .12 | ± .005 | 2 PLACES | ± .15 | ± .006 | 1 PLACE | ± .25 | ± .010 | DIMENSION STYLE IN/MM DRAWN BY: KBW DATE: 3/1/89 CHECKED BY: RW DATE: 3/1/89 APPROVED BY: RAS DATE: 3/1/89 MATERIAL NO. DOCUMENT NO. | SCALE: 2:1 DESIGN UNITS: INCH THIRD ANGLE PROJECTION | TITLE: .093/(2.36) HOUSINGS PLUG AND RECEPTACLE 12 CKT, .198/(5.03)CTR. MOLEX INCORPORATED | SHEET NO. 1 OF 2 |
|---|-------------------------------|--|-----------|----|--------|----------|-------|--------|----------|-------|--------|----------|-------|--------|---------|-------|--------|---|--|--|---------------------|
| | | mm | INCH | | | | | | | | | | | | | | | | | | |
| | 4 PLACES | ± .10 | ± .004 | | | | | | | | | | | | | | | | | | |
| | 3 PLACES | ± .12 | ± .005 | | | | | | | | | | | | | | | | | | |
| 2 PLACES | ± .15 | ± .006 | | | | | | | | | | | | | | | | | | | |
| 1 PLACE | ± .25 | ± .010 | | | | | | | | | | | | | | | | | | | |
| DRAFT WHERE APPLICABLE MUST REMAIN WITHIN DIMENSIONS | | SEE CHART SIZE: C | SD-1360-* | | 1 OF 2 | | | | | | | | | | | | | | | | |
| THIS DRAWING CONTAINS INFORMATION THAT IS PROPRIETARY TO MOLEX INCORPORATED AND SHOULD NOT BE USED WITHOUT WRITTEN PERMISSION | | | | | | | | | | | | | | | | | | | | | |

12 11 10 9 8 7 6 5 4 3 2 1

| PLUG | | |
|------------------------|-----------|----------|
| ORDER NO | ENG NO | |
| 03-09-2121 | I360-P | |
| 03-09-2122 \triangle | I360-P1 | |
| 03-09-7121 | I360-PBK | |
| 03-09-7122 \triangle | I360-P1BK | OBSOLETE |
| | | |
| | | |
| | | |
| | | |
| | | |
| | | |

| RECEPTACLE | |
|------------|-----------|
| ORDER NO | ENG NO |
| 03-09-1121 | I360-R |
| 03-09-1122 | I360-R1 |
| 03-09-1125 | I360-R2 |
| 03-09-1126 | I360-R3 |
| 03-09-6121 | I360-RBK |
| 03-09-6122 | I360-R1BK |
| 03-09-6125 | I360-R2BK |
| 03-09-6126 | I360-R3BK |
| 03-09-6123 | I360-R1RD |
| 03-09-6124 | I360-R1YW |

LEGEND: PLUG

I360-P***

P = PLUG

BLANK = WITHOUT EARS

I = WITH MOUNTING EARS

COLOR:

BLANK = NATURAL COLOR

AM = AMBER BK = BLACK BU = BLUE

BN = BROWN GY = GRAY GN = GREEN

OR = ORANGE RD = RED YW = YELLOW

LEGEND: RECEPTACLE

I360-R***

R = RECEPTACLE

BLANK = WITH PREBENT EARS ONLY

1 = WITHOUT EARS/WITHOUT LOCKING RAMP

2 = WITH PREBENT EARS & LOCKING RAMP

3 = WITH LOCKING RAMP ONLY

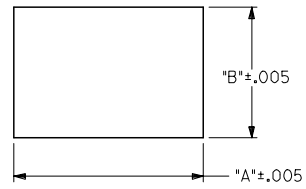
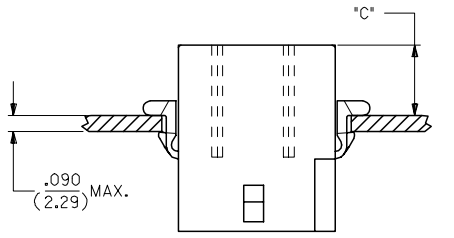
COLOR:

BLANK = NATURAL COLOR

AM = AMBER BK = BLACK BU = BLUE

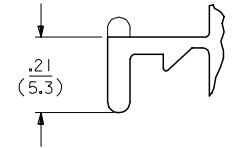
BN = BROWN GY = GRAY GN = GREEN

OR = ORANGE RD = RED YW = YELLOW

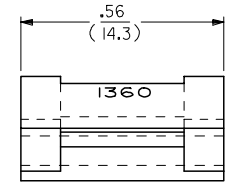


RECOMMENDED PANEL OPENING

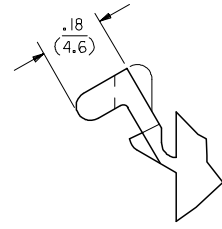
| HOUSING | DIM. 'A' | DIM. 'B' | 'C' PREBENT EAR | 'C' STANDARD EAR |
|---------|---------------|--------------|-----------------|------------------|
| PLUG | 1.155/(29.34) | .760/(19.30) | .40/(10.2) | .36/(9.1) |
| RECEPT. | 1.050/(26.67) | .725/(18.42) | .41/(10.4) | .37/(9.4) |



DETAIL A
.093/(2.36) STANDARD MOUNTING EAR
(SCALE 4:1)



DETAIL B
.093/(2.36)PREBENT MOUNTING EAR
(SCALE 4:1)



- NOTES:
- MATERIAL: NYLON TYPE 6/6, UL94V-2
 - FINISH: N/A
 - PRODUCT SPECIFICATION: PS-02-09, PS-43660-9999
 - PACKAGING SPECIFICATION: PK-1360-001
- \triangle CIRCUIT I.D. NUMBERS ON SIDE OF HOUSING APPEAR ON PARTS FROM TOOLS BUILT AFTER 10/22/91
- \triangle WHERE DENOTED IN CHART, TOOLS ARE BUILT WITH PREBENT MOUNTING EARS PER DETAIL B AND SUPERSEDE ALL TOOLS PREVIOUSLY BUILT WITH THE STANDARD EARS.

| | | | | | | | | | |
|---|-------------------------------|---------------------------------------|--------|---|--------|--|--------------|------------------------|--|
| UPDATE TITLE BLOCK EC NO: UCP2006-0080 DRAWN: JLOME CHKD: 2005/07/20 APPR: FSM TH 2005/07/21 | QUALITY SYMBOLS ▽=0 ▽=0 | GENERAL TOLERANCES (UNLESS SPECIFIED) | | DIMENSION STYLE | | SCALE | DESIGN UNITS | THIRD ANGLE PROJECTION | |
| | | | | IN/MM | | 2:1 | INCH | | |
| | | 4 PLACES ± .010 | ± .010 | DRAWN BY | DATE | TITLE | | | |
| | | 3 PLACES ± .014 | ± .014 | KBW | 3/1/89 | .093/(2.36) HOUSINGS PLUG AND RECEPTACLE 12 CKT, .198/(5.03)CTR. | | | |
| 2 PLACES ± .025 | ± .014 | CHECKED BY | DATE | MATERIAL NO. | | | | | |
| 1 PLACE ± .035 | ± .014 | RW | 3/1/89 | DOCUMENT NO. | | | | | |
| ANGULAR ± 2 ° | | APPROVED BY | DATE | SHEET NO. | | | | | |
| | | RAS | 3/1/89 | 2 OF 2 | | | | | |
| DRAFT WHERE APPLICABLE MUST REMAIN WITHIN DIMENSIONS | | SEE CHART | | SD-1360-* | | | | | |
| | | MATERIAL NO. | | THIS DRAWING CONTAINS INFORMATION THAT IS PROPRIETARY TO MOLEX INCORPORATED AND SHOULD NOT BE USED WITHOUT WRITTEN PERMISSION | | | | | |



Компания «ЭлектроПласт» предлагает заключение долгосрочных отношений при поставках импортных электронных компонентов на взаимовыгодных условиях!

Наши преимущества:

- Оперативные поставки широкого спектра электронных компонентов отечественного и импортного производства напрямую от производителей и с крупнейших мировых складов;
- Поставка более 17-ти миллионов наименований электронных компонентов;
- Поставка сложных, дефицитных, либо снятых с производства позиций;
- Оперативные сроки поставки под заказ (от 5 рабочих дней);
- Экспресс доставка в любую точку России;
- Техническая поддержка проекта, помощь в подборе аналогов, поставка прототипов;
- Система менеджмента качества сертифицирована по Международному стандарту ISO 9001;
- Лицензия ФСБ на осуществление работ с использованием сведений, составляющих государственную тайну;
- Поставка специализированных компонентов (Xilinx, Altera, Analog Devices, Intersil, Interpoint, Microsemi, Aeroflex, Peregrine, Syfer, Eurofarad, Texas Instrument, Miteq, Cobham, E2V, MA-COM, Hittite, Mini-Circuits, General Dynamics и др.);

Помимо этого, одним из направлений компании «ЭлектроПласт» является направление «Источники питания». Мы предлагаем Вам помощь Конструкторского отдела:

- Подбор оптимального решения, техническое обоснование при выборе компонента;
- Подбор аналогов;
- Консультации по применению компонента;
- Поставка образцов и прототипов;
- Техническая поддержка проекта;
- Защита от снятия компонента с производства.



Как с нами связаться

Телефон: 8 (812) 309 58 32 (многоканальный)

Факс: 8 (812) 320-02-42

Электронная почта: org@eplast1.ru

Адрес: 198099, г. Санкт-Петербург, ул. Калинина, дом 2, корпус 4, литера А.