

# MPXHZ6130A, 15 to 130 kPa, Absolute, Integrated Pressure Sensor

The MPXHZ6130A series sensor integrates on-chip, bipolar op amp circuitry and thin film resistor networks to provide a high output signal and temperature compensation. The sensor's packaging has been designed to provide resistance to high humidity conditions as well as common automotive media. The small form factor and high reliability of on-chip integration make this pressure sensor a logical choice for the system designer.

The MPXHZ6130A series piezoresistive transducer is a state-of-the-art, monolithic, signal conditioned, silicon pressure sensor. This sensor combines advanced micromachining techniques, thin film metallization, and bipolar semiconductor processing to provide an accurate, high level analog output signal that is proportional to applied pressure.

## Features

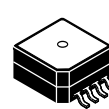
- 1.5% maximum error over 0 °C to 85 °C
- Resistant to high humidity and common automotive media
- Improved accuracy at high temperature
- Ideally suited for microprocessor or microcontroller-based systems
- Temperature compensated from -40 °C to +125 °C
- Durable thermoplastic (PPS) surface mount package

## Typical applications

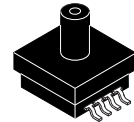
- Aviation altimeters
- Industrial controls
- Engine control/manifold absolute pressure (MAP)
- Weather stations and weather reporting devices

## MPXHZ6130A

### Super small outline packages

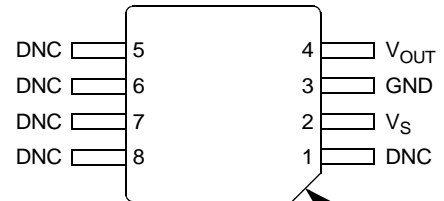


**MPXHZ6130A6U**  
Case 98ARH99066A



**MPXHZ6130AC6U**  
Case 98ARH99089A

### Top view



Pin 1 identification,  
chamfered corner

### Pinout

Ordering information									
Part number	Shipping	Package	# of Ports			Pressure type			Device marking
			None	Single	Dual	Gauge	Differential	Absolute	
<b>Small Outline Package (MPXHZ6130A series)</b>									
MPXHZ6130A6U	Rail	98ARH99066A	•					•	MPXHZ6130A
MPXHZ6130AC6U	Rail	98ARH99089A		•				•	MPXHZ6130A

Freescale reserves the right to change the detail specifications as may be required to permit improvements in the design of its products.

© 2006-2010, 2012, 2015 Freescale Semiconductor, Inc. All rights reserved.



## Contents

<b>1</b>	<b>General Description</b> .....	<b>3</b>
1.1	Block diagram .....	3
1.2	Pinout .....	3
<b>2</b>	<b>Mechanical and Electrical Specifications</b> .....	<b>4</b>
2.1	Maximum ratings .....	4
2.2	Operating characteristics .....	4
<b>3</b>	<b>On-chip Temperature Compensation and Calibration</b> .....	<b>5</b>
<b>4</b>	<b>Package Information</b> .....	<b>7</b>
4.1	Minimum recommended footprint for super small packages .....	7
4.2	Package dimensions .....	8
<b>5</b>	<b>Revision History</b> .....	<b>13</b>

## Related Documentation

The MPXHZ6130A device features and operations are described in a variety of reference manuals, user guides, and application notes. To find the most-current versions of these documents:

1. Go to the Freescale homepage at:  
<http://www.freescale.com/>
2. In the Keyword search box at the top of the page, enter the device number MPXHZ6130A.
3. In the Refine Your Result pane on the left, click on the Documentation link.

### MPXHZ6130A

# 1 General Description

## 1.1 Block diagram

Figure 1 shows a block diagram of the internal circuitry integrated on a pressure sensor chip.

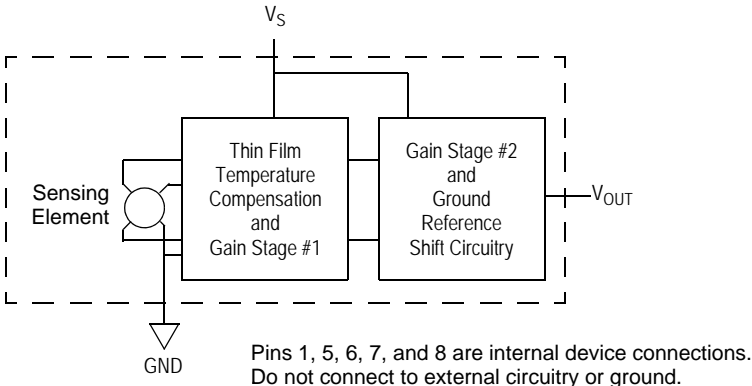


Figure 1. Fully integrated pressure sensor schematic

## 1.2 Pinout

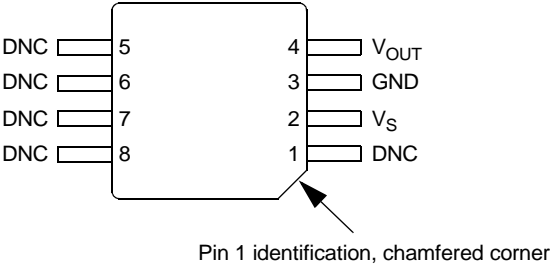


Figure 2. Device pinout (top view)

Table 1. Pin functions

Pin	Name	Function
1	DNC	Do not connect to external circuitry or ground. Pin 1 is denoted by chamfered corner.
2	$V_S$	Voltage supply
3	GND	Ground
4	$V_{OUT}$	Output voltage
5	DNC	Do not connect to external circuitry or ground.
6	DNC	Do not connect to external circuitry or ground.
7	DNC	Do not connect to external circuitry or ground.
8	DNC	Do not connect to external circuitry or ground.

## 2 Mechanical and Electrical Specifications

### 2.1 Maximum ratings

**Table 2. Maximum ratings<sup>(1)</sup>**

Rating	Symbol	Value	Units
Maximum pressure (P1 > P2)	P <sub>max</sub>	400	kPa
Storage temperature	T <sub>stg</sub>	-40 to +125	°C
Operating temperature	T <sub>A</sub>	-40 to +125	°C
Output source current @ full-scale output <sup>(2)</sup>	I <sub>o+</sub>	0.5	mAdc
Output sink current @ minimum pressure offset <sup>(2)</sup>	I <sub>o-</sub>	-0.5	mAdc

1.Exposure beyond the specified limits may cause permanent damage or degradation to the device.

2.Maximum output current is controlled by effective impedance from V<sub>OUT</sub> to Gnd or V<sub>OUT</sub> to V<sub>S</sub> in the application circuit.

### 2.2 Operating characteristics

**Table 3. Operating characteristics (V<sub>S</sub> = 5.0 Vdc, T<sub>A</sub> = 25 °C unless otherwise noted, P1 > P2).**

Characteristic	Symbol	Min	Typ	Max	Unit
Pressure range	P <sub>OP</sub>	15	—	130	kPa
Supply voltage <sup>(1)</sup>	V <sub>S</sub>	4.75	5.0	5.25	Vdc
Supply current	I <sub>o</sub>	—	6.0	10	mAdc
Minimum pressure offset <sup>(2)</sup> @ V <sub>S</sub> = 5.0 Volts (0 °C to 85 °C)	V <sub>off</sub>	0.132	0.200	0.268	Vdc
Full-scale output <sup>(3)</sup> @ V <sub>S</sub> = 5.0 Volts (0 °C to 85 °C)	V <sub>FSO</sub>	4.632	4.700	4.768	Vdc
Full-scale span <sup>(4)</sup> @ V <sub>S</sub> = 5.0 Volts (0 °C to 85 °C)	V <sub>FSS</sub>	4.365	4.500	4.635	Vdc
Accuracy <sup>(5)</sup> @ V <sub>S</sub> = 5.0 Volts (0 °C to 85 °C)	—	—	—	±1.5	%V <sub>FSS</sub>
Sensitivity	V/P	—	39.2	—	mV/kPa
Response time <sup>(6)</sup>	t <sub>R</sub>	—	1.0	—	ms
Warm-up time <sup>(7)</sup>	—	—	20	—	ms
Offset stability <sup>(8)</sup>	—	—	±0.25	—	%V <sub>FSS</sub>

1.Device is ratiometric within this specified excitation range.

2.Offset (V<sub>off</sub>) is defined as the output voltage at the minimum rated pressure.

3.Full-scale output (V<sub>FSO</sub>) is defined as the output voltage at the maximum or full rated pressure.

4. Full-scale span (V<sub>FSS</sub>) is defined as the algebraic difference between the output voltage at full-rated pressure and the output voltage at the minimum rated pressure.

5.Accuracy is the deviation in actual output from nominal output over the entire pressure range and temperature range as a percent of span at 25°C due to all sources of error including the following:

Linearity: Output deviation from a straight line relationship with pressure over the specified pressure range.

Temperature Hysteresis: Output deviation at any temperature within the operating temperature range, after the temperature is cycled to and from the minimum or maximum operating temperature points, with zero differential pressure applied.

Pressure Hysteresis: Output deviation at any pressure within the specified range, when this pressure is cycled to and from minimum or maximum rated pressure at 25 °C.

TcSpan: Output deviation over the temperature range of 0 °C to 85 °C, relative to 25 °C.

TcOffset: Output deviation with minimum pressure applied, over the temperature range of 0 °C to 85 °C, relative to 25 °C.

6.Response Time is defined as the time for the incremental change in the output to go from 10% to 90% of its final value when subjected to at specified step change in pressure.

7. Warm-up time is defined as the time required for the product to meet the specified output voltage after the pressure has been stabilized.

8.Offset Stability is the product's output deviation when subjected to 1000 cycles of Pulsed Pressure, Temperature Cycling with Bias Test.

### 3 On-chip Temperature Compensation and Calibration

Figure 5 shows the sensor output signal relative to pressure input. Typical minimum and maximum output curves are shown for operation over 0 to 85°C temperature range. The output will saturate outside of the rated pressure range.

A gel die coat isolates the die surface and wire bonds from the environment, while allowing the pressure signal to be transmitted to the sensor diaphragm. The gel die coat and durable polymer package provide a media resistant barrier that allows the sensor to operate reliably in high humidity conditions as well as environments containing common automotive media. Contact the factory for more information regarding media compatibility in your specific application.

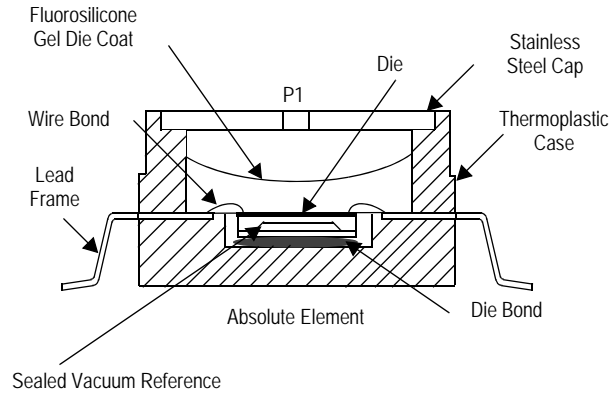


Figure 3. Cross-sectional diagram SSOP (not to scale)

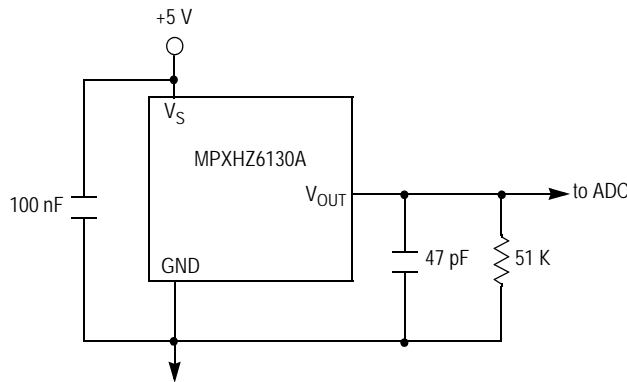


Figure 4. Recommended power supply decoupling and output filtering

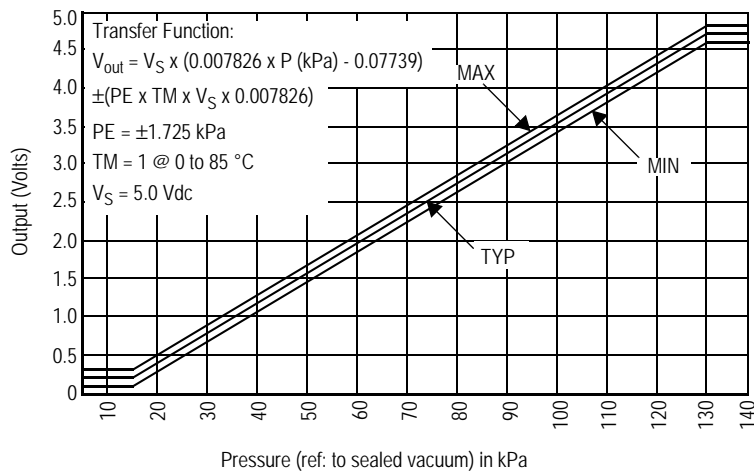
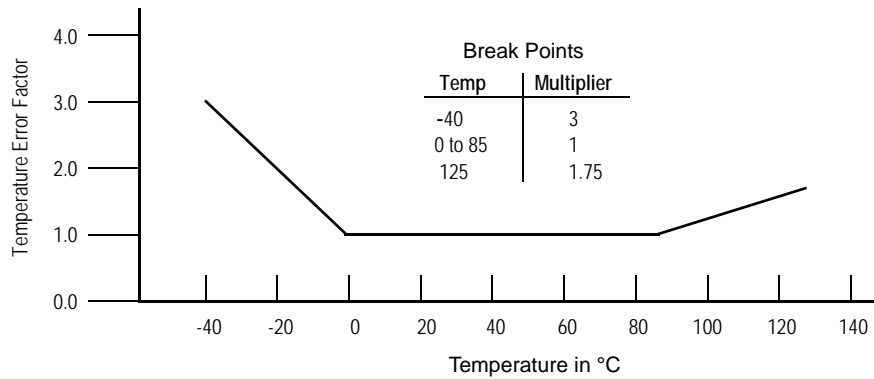


Figure 5. Output vs. absolute pressure

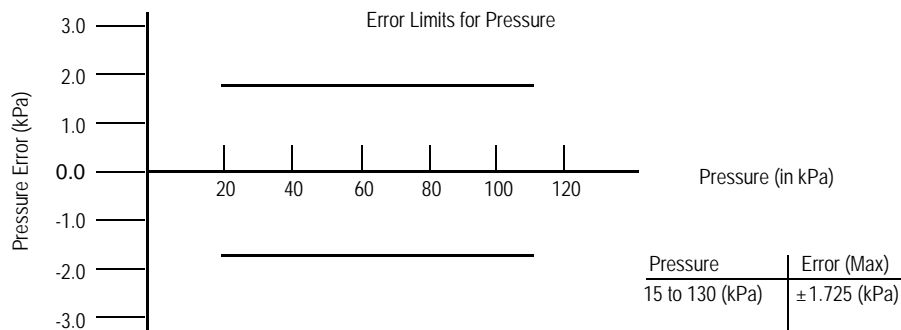
Nominal Transfer Value:  $V_{OUT} = V_S \times (0.007826 \times P \text{ (kPa)} - 0.07739)$   
 $\pm (\text{Pressure Error} \times \text{Temp. factor} \times 0.007826 \times V_S)$   
 $V_S = 5.0 \pm 0.25 \text{ Vdc}$

**Figure 6. Transfer function**



NOTE: The temperature multiplier is a linear response from 0 °C to -40 °C and from 85 °C to 125 °C

**Figure 7. Temperature error band**



**Figure 8. Pressure error band**

## 4 Package Information

### 4.1 Minimum recommended footprint for super small packages

Surface mount board layout is a critical portion of the total design. The footprint for the semiconductor package must be the correct size to ensure proper solder connection interface between the board and the package. With the correct pad geometry, the packages will self-align when subjected to a solder reflow process. It is always recommended to fabricate boards with a solder mask layer to avoid bridging and/or shorting between solder pads, especially on tight tolerances and/or tight layouts.

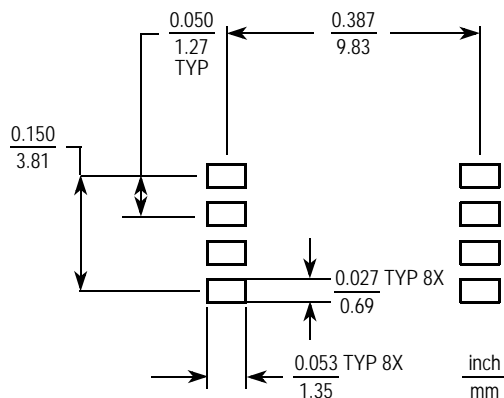
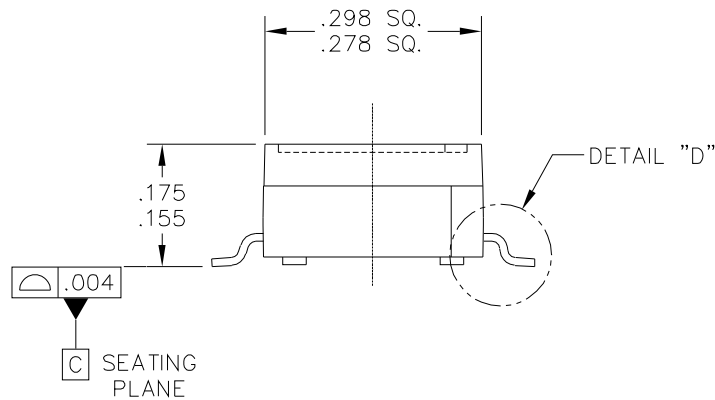
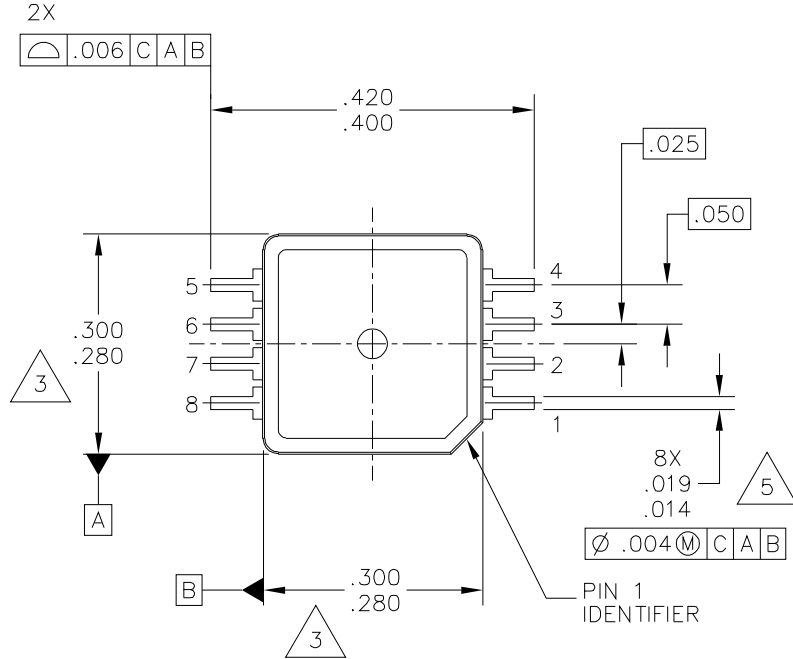


Figure 9. SSOP footprint

## 4.2 Package dimensions

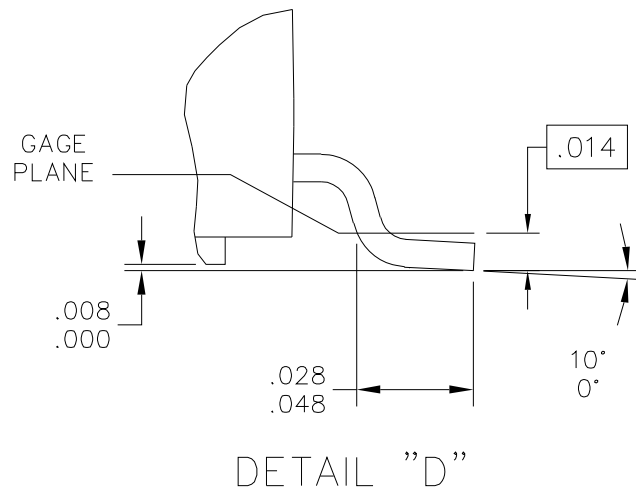
This drawing is located at [http://cache.freescale.com/files/shared/doc/package\\_info/98ARH99066A.pdf](http://cache.freescale.com/files/shared/doc/package_info/98ARH99066A.pdf).



© FREESCALE SEMICONDUCTOR, INC. ALL RIGHTS RESERVED.		<b>MECHANICAL OUTLINE</b>		PRINT VERSION NOT TO SCALE	
TITLE: 8 LEAD SSOP		DOCUMENT NO: 98ARH99066A		REV: H	
		CASE NUMBER: 1317-04		13 APR 2012	
		STANDARD: NON-JEDEC			

**Case 98ARH99066A, 8-lead super small outline package**





© FREESCALE SEMICONDUCTOR, INC. ALL RIGHTS RESERVED.	<b>MECHANICAL OUTLINE</b>	PRINT VERSION NOT TO SCALE	
TITLE: 8 LEAD SSOP	DOCUMENT NO: 98ARH99066A	REV: H	
	CASE NUMBER: 1317-04	13 APR 2012	
	STANDARD: NON-JEDEC		

**Case 98ARH99066A, 8-lead super small outline package**

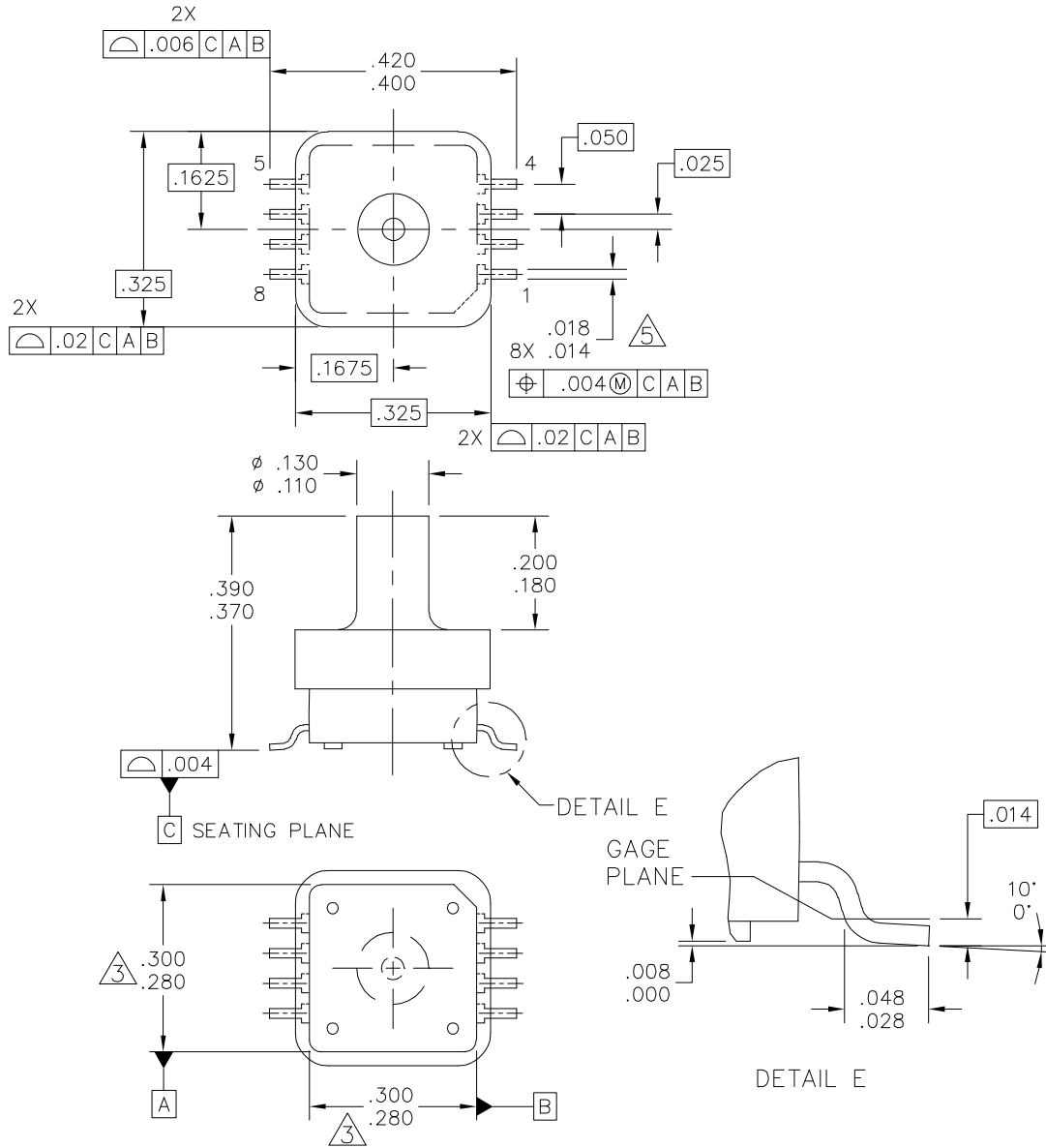


NOTES:

1. ALL DIMENSIONS IN INCHES.
2. DIMENSIONING AND TOLERANCING PER ASME Y14.5M-1994.
3. DIMENSIONS DO NOT INCLUDE MOLD FLASH OR PROTRUSIONS.  
MOLD FLASH OR PROTRUSION SHALL NOT EXCEED .006 INCHES PER SIDE.
4. ALL VERTICAL SURFACES TO BE 5° MAXIMUM.
5. DIMENSION DOES NOT INCLUDE DAMBAR PROTRUSION.  
ALLOWABLE DAMBAR PROTRUSION SHALL BE .008 INCHES MAXIMUM.

© FREESCALE SEMICONDUCTOR, INC. ALL RIGHTS RESERVED.	<b>MECHANICAL OUTLINE</b>	PRINT VERSION NOT TO SCALE	
TITLE: 8 LEAD SSOP	DOCUMENT NO: 98ARH99066A	REV: H	
	CASE NUMBER: 1317-04	13 APR 2012	
	STANDARD: NON-JEDEC		

**Case 98ARH99066A, 8-lead super small outline package**



© FREESCALE SEMICONDUCTOR, INC. ALL RIGHTS RESERVED.	<b>MECHANICAL OUTLINE</b>	PRINT VERSION NOT TO SCALE
TITLE: 8 LD, PORTED SSOP	DOCUMENT NO: 98ARH99089A	REV: G
	STANDARD: NON-JEDEC	
	09 NOV 2012	

**Case 98ARH99089A, 8-lead ported super small outline package**



NOTES:

- 1. ALL DIMENSIONS IN INCHES.
- 2. DIMENSIONING AND TOLERANCING PER ASME Y14.5M-1994.
- 3. DIMENSIONS DO NOT INCLUDE MOLD FLASH OR PROTRUSIONS.  
MOLD FLASH OR PROTRUSION SHALL NOT EXCEED .006 INCHES PER SIDE.
- 4. ALL VERTICAL SURFACES TO BE 5° MAXIMUM.
- 5. DIMENSION DOES NOT INCLUDE DAMBAR PROTRUSION.  
ALLOWABLE DAMBAR PROTRUSION SHALL BE .008 INCHES MAXIMUM.

© FREESCALE SEMICONDUCTOR, INC. ALL RIGHTS RESERVED.	MECHANICAL OUTLINE	PRINT VERSION NOT TO SCALE	
TITLE:		DOCUMENT NO: 98ARH99089A	REV: G
8 LD, PORTED SSOP		STANDARD: NON-JEDEC	
		09 NOV 2012	

**Case 98ARH99089A, 8-lead ported super small outline package**

## 5 Revision History

Table 4. Revision history

Revision number	Revision date	Description
1.1	05/2012	<ul style="list-style-type: none"><li>• Updated package drawing 98ARH99066A was Rev. F, updated to Rev. H.</li></ul>
1.2	06/2015	<ul style="list-style-type: none"><li>• Updated format.</li><li>• Updated package drawing 98ARH99089A was Rev D, updated to Rev G.</li></ul>



**How to Reach Us:**

**Home Page:**

freescale.com

**Web Support:**

freescale.com/support

Information in this document is provided solely to enable system and software implementers to use Freescale products. There are no express or implied copyright licenses granted hereunder to design or fabricate any integrated circuits based on the information in this document.

Freescale reserves the right to make changes without further notice to any products herein. Freescale makes no warranty, representation, or guarantee regarding the suitability of its products for any particular purpose, nor does Freescale assume any liability arising out of the application or use of any product or circuit, and specifically disclaims any and all liability, including without limitation consequential or incidental damages. "Typical" parameters that may be provided in Freescale data sheets and/or specifications can and do vary in different applications, and actual performance may vary over time. All operating parameters, including "typicals," must be validated for each customer application by customer's technical experts. Freescale does not convey any license under its patent rights nor the rights of others. Freescale sells products pursuant to standard terms and conditions of sale, which can be found at the following address: [freescale.com/salestermsandconditions](http://freescale.com/salestermsandconditions).

Freescale and the Freescale logo are trademarks of Freescale Semiconductor, Inc., Reg. U.S. Pat. & Tm. Off. All other product or service names are the property of their respective owners.

© 2006-2010, 2012, 2015 Freescale Semiconductor, Inc.



Компания «ЭлектроПласт» предлагает заключение долгосрочных отношений при поставках импортных электронных компонентов на взаимовыгодных условиях!

Наши преимущества:

- Оперативные поставки широкого спектра электронных компонентов отечественного и импортного производства напрямую от производителей и с крупнейших мировых складов;
- Поставка более 17-ти миллионов наименований электронных компонентов;
- Поставка сложных, дефицитных, либо снятых с производства позиций;
- Оперативные сроки поставки под заказ (от 5 рабочих дней);
- Экспресс доставка в любую точку России;
- Техническая поддержка проекта, помощь в подборе аналогов, поставка прототипов;
- Система менеджмента качества сертифицирована по Международному стандарту ISO 9001;
- Лицензия ФСБ на осуществление работ с использованием сведений, составляющих государственную тайну;
- Поставка специализированных компонентов (Xilinx, Altera, Analog Devices, Intersil, Interpoint, Microsemi, Aeroflex, Peregrine, Syfer, Eurofarad, Texas Instrument, Miteq, Cobham, E2V, MA-COM, Hittite, Mini-Circuits, General Dynamics и др.);

Помимо этого, одним из направлений компании «ЭлектроПласт» является направление «Источники питания». Мы предлагаем Вам помощь Конструкторского отдела:

- Подбор оптимального решения, техническое обоснование при выборе компонента;
- Подбор аналогов;
- Консультации по применению компонента;
- Поставка образцов и прототипов;
- Техническая поддержка проекта;
- Защита от снятия компонента с производства.



#### Как с нами связаться

**Телефон:** 8 (812) 309 58 32 (многоканальный)

**Факс:** 8 (812) 320-02-42

**Электронная почта:** [org@eplast1.ru](mailto:org@eplast1.ru)

**Адрес:** 198099, г. Санкт-Петербург, ул. Калинина, дом 2, корпус 4, литера А.