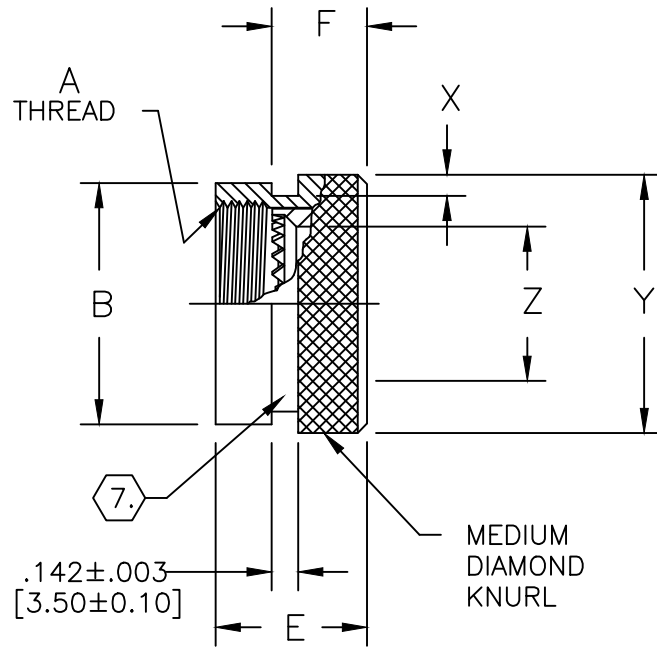


TE CONNECTIVITY (TE) RESERVES THE RIGHT TO CHANGE THIS DRAWING AT ANYTIME. USERS SHOULD EVALUATE THE SUITABILITY OF THE PRODUCT FOR THEIR APPLICATION.

| REVISION | | | |
|----------|---------------------------|------------|----------|
| LTR | DESCRIPTION | DATE | APPROVED |
| K | REVISED PER ECO-15-003652 | 03/06/2015 | I. MYONG |
| | | | |



NOTES:

- THIS PRODUCT IS DESIGNED TO TERMINATE A HEAT SHRINKABLE LIPPED BOOT TO A CONNECTOR.
- FOR ADDITIONAL DIMENSIONS, ORDERING INFORMATION AND MODIFICATIONS, SEE CH00-0250-00
- ADAPTER TO BE PERMANENTLY MARKED WITH CODE IDENT. NO. AND PART NO. (E.G.: 06090-201M912-19A YYWW).
- ADAPTER MATES TO SAE-AS81703, SERIES III, AS34241, AS34461, AS34641, AS34671, CLASS E & L.
- ADAPTER MATES TO SAE-AS50151, AS34001 SERIES, CLASS D, E, K, L, U & W: AS34001, AS34011, AS34041, AS34061, AS34501, AS34511, AS34541, AS34561, MS3471, MS3472, MS3474, MS3475, MS3476. MIL-DTL-83723, SERIES II, CLASS A & L. MIL-DTL-83723, SERIES I & III, CLASS A, G, K, R & S: M83723/1, /2, /3, /4, /5, /6, /7, /8, /13, /14, /36, /37, /38, /39, /40, /41, /42, /43, /48, /49, /65, /66, /67, /68, /69, /70, /71, /72, /73, /74, /75, /76, /77, /78, /82, /83, /84, /85, /86, /87, /91, /92, /95, /97, /98, (SAE-AS31551 CONTROLLED INTERFACE).
- THIS PRODUCT IS A FUNCTIONAL EQUIVALENT OF SAE-AS85049/60-2.
- KNURL INSIDE BOOT GROOVE MAY BE SUPPLIED AT MANUFACTURER'S OPTION.

If this document is printed it becomes uncontrolled. Check for the latest revision

©2015 TE CONNECTIVITY LTD. FAMILY OF COMPANIES. ALL RIGHTS RESERVED
 TE CONNECTIVITY AND TE CONNECTIVITY (LOGO) ARE TRADEMARKS.
 OTHER LOGOS PRODUCT AND/OR COMPANY NAMES MAY BE TRADEMARKS OF THEIR RESPECTIVE OWNERS.

Raychem Adapters
 CUSTOMER DRAWING

| | | | | | | | |
|--|--------------------------|-----------------------------|-----------------------------------|------------------|---------------------|------------------------|-----------|
| UNLESS OTHERWISE SPECIFIED DIMENSIONS ARE IN INCHES. REFERENCE METRIC DIMENSIONS ARE IN BRACKETS [metric]. | DRAWN: R. RAMIREZ | DATE: 03/18/1993 | | TE Connectivity | | | |
| | CHECKED: | DATE: | | | | | |
| DECIMALS TOLERANCES: XXX ± .005 [0.13mm] XX ± .01 [0.25mm] X ± .1 [0.50mm] | APPROVED: W. C. GAY | DATE: 05/19/1993 | TITLE: ADAPTER, SOLID, CODE 54 | | | | |
| ANGLES TOLERANCE: ± 1' | MATERIAL: SEE NOTES | FINISH: SEE NOTES | | | | | |
| SCALE: DO NOT SCALE THIS DRAWING | CAD FILE: 201M9XX.dwg | THIRD ANGLE PROJECTION: | SIZE: A | SHEET: 1 OF 2 | CAGE CODE: 06090 | DRAWING NO: 201M9XX | REV. K |

| BASE PART NO. | SHELL SIZE | | A THREAD CLASS 2B | B MAX DIA | Y MAX DIA | X +.008 -.000 [+0.20] [-0.00] DIM | E MAX DIM | Z MIN DIA | F ±.031 [±0.80] DIM |
|---------------------|------------|-------------------|-------------------------|------------------|------------------|--|-----------------|------------------|------------------------------|
| | 4 | 5 | | | | | | | |
| 201M903 | 3 | | .562-24 UNEF | .709 [18.01] | .752 [19.10] | .044 [1.12] | .540 [13.72] | .255 [6.47] | .406 [10.31] |
| 201M908 | | 8 & 8S | .500-20 UNEF | .657 [16.69] | .688 [17.48] | ↑ | ↑ | .255 [6.47] | ↑ |
| 201M910 | | 10, 10S & 10SL | .625-24 UNEF | .774 [19.66] | .803 [20.40] | ↓ | | .360 [9.14] | |
| 201M912 | 7 | 12 & 12S | .750-20 UNEF | .898 [22.81] | .938 [23.83] | ↓ | | .496 [12.60] | |
| 201M914 | 12 | 14 & 14S | .875-20 UNEF | 1.024 [26.01] | 1.063 [27.00] | .044 [1.12] | | .570 [14.48] | |
| 201M916 | 19 | 16 & 16S | 1.000-20 UNEF | 1.152 [29.26] | 1.238 [31.45] | .069 [1.75] | | .695 [17.65] | |
| 201M918 | 27 | 18 | 1.062-18 UNEF | 1.243 [31.57] | 1.310 [33.27] | ↑ | | .774 [19.66] | |
| 201M920 | 37 | 20 | 1.188-18 UNEF | 1.370 [34.80] | 1.436 [36.47] | | | .899 [22.83] | |
| 201M922 | | 22 | 1.312-18 UNEF | 1.443 [36.65] | 1.560 [39.62] | ↓ | ↓ | 1.024 [26.01] | ↓ |
| 201M924 | | 24 | 1.438-18 UNEF | 1.618 [41.10] | 1.686 [42.82] | .069 [1.75] | .540 [13.72] | 1.139 [28.93] | .406 [10.31] |
| 201M928 | | 28 | 1.750-18 UNS | 1.969 [50.01] | 2.063 [52.40] | .086 [2.18] | .702 [17.83] | 1.374 [34.90] | .563 [14.30] |
| 201M932 | | 32 | 2.000-18 UNS | 2.220 [56.40] | 2.312 [58.72] | ↑ | ↑ | 1.620 [41.15] | ↑ |
| 201M936 | | 36 | 2.250-16 UN | 2.469 [62.71] | 2.563 [65.10] | | | 1.835 [46.60] | |
| 201M940 | | 40 | 2.500-16 UN | 2.720 [69.10] | 2.812 [71.42] | | | 2.050 [52.07] | |
| 201M944 | | 44 | 2.750-16 UN | 2.969 [75.41] | 3.062 [77.77] | ↓ | ↓ | 2.305 [58.55] | ↓ |
| 201M948 | | 48 | 3.000-16 UN | 3.220 [81.80] | 3.312 [84.12] | .086 [2.18] | .702 [17.83] | 2.555 [64.90] | .563 [14.30] |
| 201M961 | 61 | | 1.500-18 UNEF | 1.654 [42.00] | 1.748 [44.40] | .069 [1.75] | .540 [13.72] | 1.179 [29.95] | .406 [10.31] |

If this document is printed it becomes uncontrolled. Check for the latest revision

Raychem Adapters
CUSTOMER DRAWING



DO NOT
SCALE THIS
DRAWING

SIZE
A

CAGE
06090

SHEET
2 OF 2

DWG. NO.

201M9XX

REV
K



Компания «ЭлектроПласт» предлагает заключение долгосрочных отношений при поставках импортных электронных компонентов на взаимовыгодных условиях!

Наши преимущества:

- Оперативные поставки широкого спектра электронных компонентов отечественного и импортного производства напрямую от производителей и с крупнейших мировых складов;
- Поставка более 17-ти миллионов наименований электронных компонентов;
- Поставка сложных, дефицитных, либо снятых с производства позиций;
- Оперативные сроки поставки под заказ (от 5 рабочих дней);
- Экспресс доставка в любую точку России;
- Техническая поддержка проекта, помощь в подборе аналогов, поставка прототипов;
- Система менеджмента качества сертифицирована по Международному стандарту ISO 9001;
- Лицензия ФСБ на осуществление работ с использованием сведений, составляющих государственную тайну;
- Поставка специализированных компонентов (Xilinx, Altera, Analog Devices, Intersil, Interpoint, Microsemi, Aeroflex, Peregrine, Syfer, Eurofarad, Texas Instrument, Miteq, Cobham, E2V, MA-COM, Hittite, Mini-Circuits, General Dynamics и др.);

Помимо этого, одним из направлений компании «ЭлектроПласт» является направление «Источники питания». Мы предлагаем Вам помощь Конструкторского отдела:

- Подбор оптимального решения, техническое обоснование при выборе компонента;
- Подбор аналогов;
- Консультации по применению компонента;
- Поставка образцов и прототипов;
- Техническая поддержка проекта;
- Защита от снятия компонента с производства.



Как с нами связаться

Телефон: 8 (812) 309 58 32 (многоканальный)

Факс: 8 (812) 320-02-42

Электронная почта: org@eplast1.ru

Адрес: 198099, г. Санкт-Петербург, ул. Калинина, дом 2, корпус 4, литера А.