

Features

- Input Voltage Range: 2.7V to 5.5V
- Dropout Voltage 400mV at 300mA Output Current
- Guaranteed 300mA Output Current
- Internal RON = 1.5Ω PMOS Draws No Base Current
- Low Quiescent Current 50µA
- Output Voltage: 1.5V/1.8V/2.0V/2.5V/2.8V/3.0V/
3.3V/3.5; Accuracy 2%
- Fast Transient Response
- Good Load Regulation
- Current Limit and Thermal Shutdown Protection
- Short Circuit Current Fold-Back
- Lead Free Packages: SC59, SC59R, SOT89-3L, and
SOT89R-3L
- SC59, SC59R, SOT23, SOT89-3L, and SOT89R-3L
: Available in “Green” Molding Compound (No Br, Sb)
(Note 9)
- Lead Free Finish/ RoHS Compliant (Note 1)

Description

The AP130 is a 300mA, fixed output voltage, low dropout linear regulator. The device includes pass element, error amplifier, band-gap, current-limit and thermal shutdown circuitry. The characteristics of low dropout voltage and less quiescent current make it good for some critical current application, for example, some battery powered devices. The typical quiescent current is approximately 50µA from zero to maximum load. Due to internal flexible design, results in extensively fixed output voltage versions and make it convenient to use for applications. Built-in current-limit and thermal-shutdown functions prevent any fault condition from IC damage.

Notes: 1. EU Directive 2002/95/EC (RoHS). All applicable RoHS exemptions applied. Please visit our website at http://www.diodes.com/products/lead_free.html.

Applications

- Battery Powered Device
- CD-ROM, DVD, and LAN Card
- PC Peripheral
- Wireless Communication

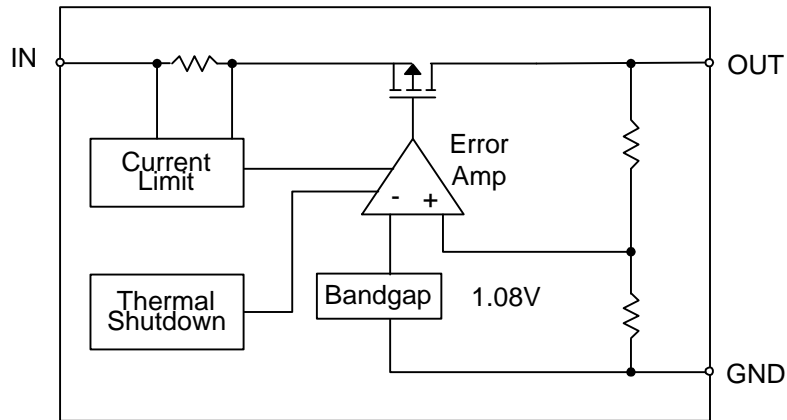
Typical Application Circuit



Pin Assignments

| Package | | No. | Pin Name | Description |
|--|------|-----|----------|---|
| Type | Code | | | |
| <p>(Top View)</p>  <p>(SC59)</p> | W | 1 | IN | IN: Power Input OUT: Output Voltage GND: Ground |
| | | 2 | OUT | |
| | | 3 | GND | |
| <p>(Top View)</p>  <p>(SC59R)</p> | R | 1 | GND | |
| | | 2 | OUT | |
| | | 3 | IN | |
| <p>(Top View)</p>  <p>(SOT23)</p> | SA | 1 | IN | |
| | | 2 | OUT | |
| | | 3 | GND | |
| <p>(Top View)</p>  <p>(SOT89-3L)</p> | Y | 1 | OUT | |
| | | 2 | GND | |
| | | 3 | IN | |
| <p>(Top View)</p>  <p>(SOT89R-3L)</p> | YR | 1 | GND | |
| | | 2 | IN | |
| | | 3 | OUT | |

Functional Block Diagram



Absolute Maximum Ratings

| Symbol | Parameter | Rating | Unit |
|----------|--------------------------------|-------------|------|
| V_{CC} | Input Voltage | +6 | V |
| T_{OP} | Operating Junction Temperature | -40 to +125 | °C |
| T_{ST} | Storage Temperature Range | -65 to +150 | °C |

Recommended Operating Conditions

| Symbol | Parameter | Min | Max | Unit |
|-----------|-------------------------------|-----|-----|------|
| V_{IN} | Input Voltage | 2.7 | 5.5 | V |
| I_{OUT} | Output Current | 0 | 300 | mA |
| T_A | Operating Ambient Temperature | -40 | 85 | °C |

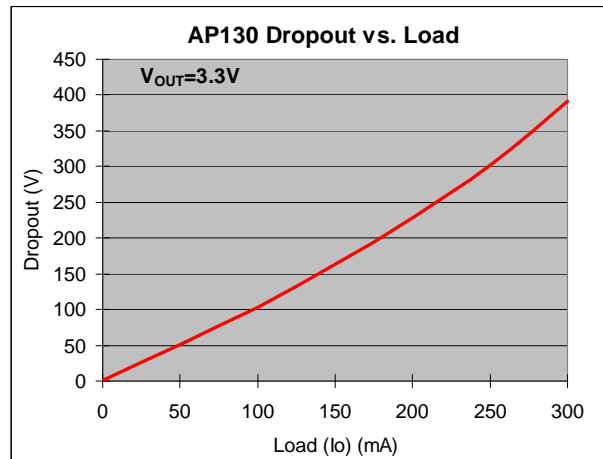
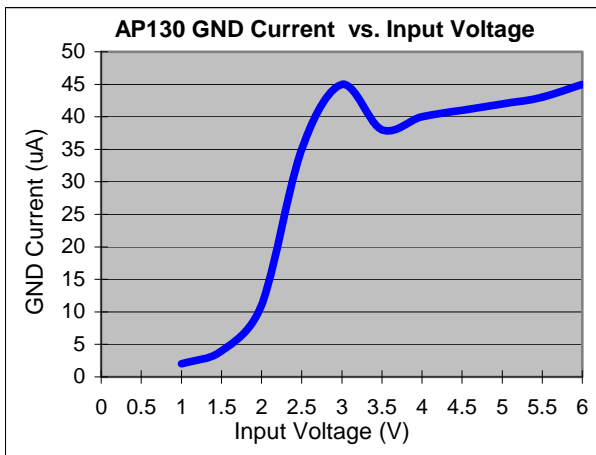
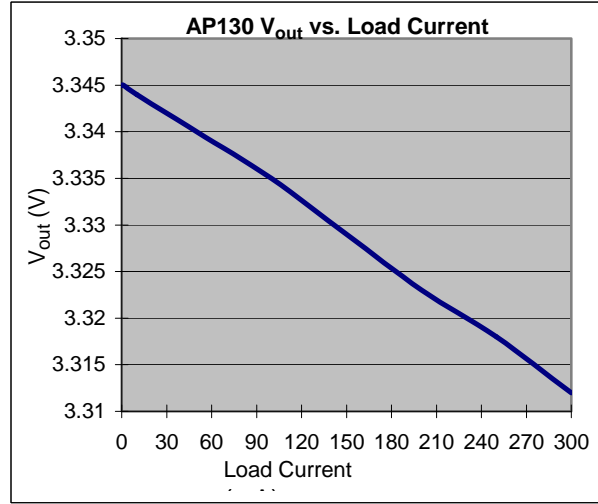
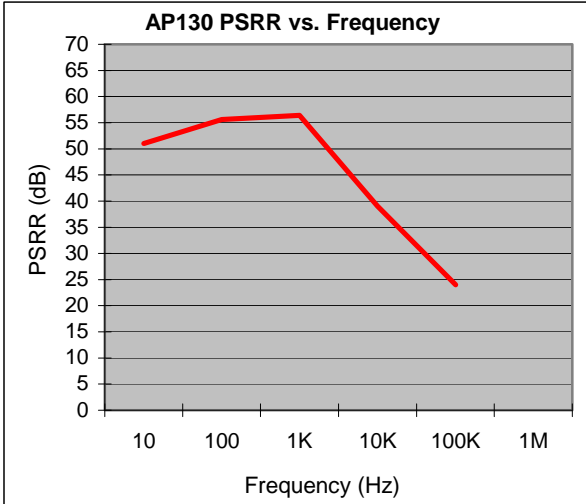
Electrical Characteristics

$T_A = 25^\circ\text{C}$, $C_{IN} = 1\mu\text{F}$, $C_{OUT} = 10\mu\text{F}$, unless otherwise specified.

| Symbol | Parameter | Conditions | Min | Typ. | Max | Unit |
|-------------------|---|---|-----|------|-----|---------------------------|
| V_{DROP} | Dropout Voltage (Note 2) | $I_L = 300\text{mA}$ | - | 400 | 500 | mV |
| I_{LIMIT} | Current Limit (Note 3) | $V_{IN} = 5\text{V}$, $V_{OUT} = 0\text{V}$ | 350 | 450 | - | mA |
| I_{short} | Short Circuit Current | $V_{OUT} < 1.05\text{V}$ | - | 150 | 300 | mA |
| ΔV_{LINE} | Line Regulation | $I_{OUT} = 1\text{mA}$, $V_{IN} = (V_{OUT} + 1\text{V})$ to 5.5V | - | 0.1 | 0.3 | %/V |
| PSRR | Ripple Rejection | $F = 100\text{Hz}$, $C_{IN} = 1\mu\text{F}$, $C_O = 10\mu\text{F}$, $I_L = 100\text{mA}$ | - | 58 | - | dB |
| ΔV_{LOAD} | Load Regulation (Note 4) | $I_L = 1\sim 300\text{mA}$, $V_{IN} = 5\text{V}$ | - | 30 | 40 | mV |
| ΔV_{OUT} | Output Voltage Accuracy | $I_L = 1\text{mA}$, $V_{IN} = 5\text{V}$ | -2 | - | +2 | % |
| | Output Voltage Temperature Coefficient (Note 5) | | - | 50 | 150 | PPM/ $^\circ\text{C}$ |
| I_Q | Quiescent Current | $I_L = 0\text{mA}$, $V_{IN} = 5\text{V}$ | - | 50 | 100 | μA |
| θ_{JA} | Thermal Resistance Junction-to-Ambient | SC59/SC59R (Note 6) | - | 250 | - | $^\circ\text{C}/\text{W}$ |
| | | SOT23 (Note 7) | - | 200 | - | |
| | | SOT89-3L/SOT89R-3L (Note 8) | - | 100 | - | |
| θ_{JC} | Thermal Resistance Junction-to-Case | SC59/SC59R (Note 6) | - | 79 | - | $^\circ\text{C}/\text{W}$ |
| | | SOT23 (Note 7) | - | 43 | - | |
| | | SOT89-3L/SOT89R-3L (Note 8) | - | 23 | - | |

- Notes:
- Dropout voltage is defined as the input to output differential voltage. Dropout is measured at constant junction temperature by using pulsed on time, and the criterion is V_{OUT} inside target value $\pm 2\%$. This test is skipped at the condition of $V_{IN} < 3\text{V}$.
 - Current limit is measured at constant junction temperature by using pulsed testing with a low ON time.
 - Regulation is measured at constant junction temperature by using pulsed testing with a low ON time.
 - Guaranteed by design.
 - Test condition for SC59/SC59R: Devices mounted on FR-4 PC board, 1stMRP, 2oz copper, single sided, calibrate at $T_J = 125^\circ\text{C}$, $T_A = 25^\circ\text{C}$, with minimum recommended pad layout.
 - Test condition for SOT23: Devices mounted on FR-4 PC board, 1stMRP, calibrate at $T_J = 85^\circ\text{C}$, $T_A = 29^\circ\text{C}$.
 - Test condition for SOT89-3L/SOT89R-3L: No Heat Sink, no air flow.

Typical Performance Characteristics



Functional Descriptions

A minimum of 10μF capacitor must be connected from OUT to ground to insure stability. Typically a large storage capacitor is connected from V_{IN} to ground to ensure that the input voltage does not sag below the minimum dropout voltage during the load transient response.

Ordering Information



| | Device | Package Code | Packaging (Note 10) | 7"/13" Tape and Reel | |
|--|----------------|--------------|---------------------|----------------------|--------------------|
| | | | | Quantity | Part Number Suffix |
| | AP130-XXWL-7 | W | SC59 | 3000/Tape & Reel | -7 |
| | AP130-XXWG-7 | W | SC59 | 3000/Tape & Reel | -7 |
| | AP130-XXRL-7 | R | SC59R | 3000/Tape & Reel | -7 |
| | AP130-XXRG-7 | R | SC59R | 3000/Tape & Reel | -7 |
| | AP130-XXSAG-7 | SA | SOT23 | 3000/Tape & Reel | -7 |
| | AP130-XXYL-13 | Y | SOT89-3L | 2500/Tape & Reel | -13 |
| | AP130-XXYG-13 | Y | SOT89-3L | 2500/Tape & Reel | -13 |
| | AP130-XXYR-13 | YR | SOT89R-3L | 2500/Tape & Reel | -13 |
| | AP130-XXYRG-13 | YR | SOT89R-3L | 2500/Tape & Reel | -13 |

Notes: 9. SOT23 is available in "Green" product only.

10. Pad layout as shown on Diodes Inc. suggested pad layout document AP02001, which can be found on our website at <http://www.diodes.com/datasheets/ap02001.pdf>.

Marking Information

(1) SC59, SC59R and SOT23

(Top View)



XX : Identification code
Y : Year 0~9
W : Week : A~Z : 1~26 week;
a~z : 27~52 week; z represents
52 and 53 week
X : A~Z : Green
a~z : Lead Free

| Device | Package (Note 11) | Identification Code |
|------------|-------------------|---------------------|
| AP130-15W | SC59W | CA |
| AP130-18W | SC59W | CD |
| AP130-20W | SC59W | CF |
| AP130-25W | SC59W | CK |
| AP130-28W | SC59W | CN |
| AP130-30W | SC59W | CP |
| AP130-33W | SC59W | CS |
| AP130-35W | SC59W | CU |
| AP130-15R | SC59R | GO |
| AP130-18R | SC59R | GR |
| AP130-20R | SC59R | GT |
| AP130-25R | SC59R | GY |
| AP130-28R | SC59R | H1 |
| AP130-30R | SC59R | H3 |
| AP130-33R | SC59R | H9 |
| AP130-35R | SC59R | HB |
| AP130-15SA | SOT23 | U2 |
| AP130-18SA | SOT23 | U3 |
| AP130-20SA | SOT23 | U4 |
| AP130-25SA | SOT23 | U5 |
| AP130-28SA | SOT23 | U6 |
| AP130-30SA | SOT23 | U7 |
| AP130-33SA | SOT23 | U8 |
| AP130-35SA | SOT23 | U9 |

Marking Information (Continued)

(2) SOT89-3L and SOT89R-3L

(Top View)



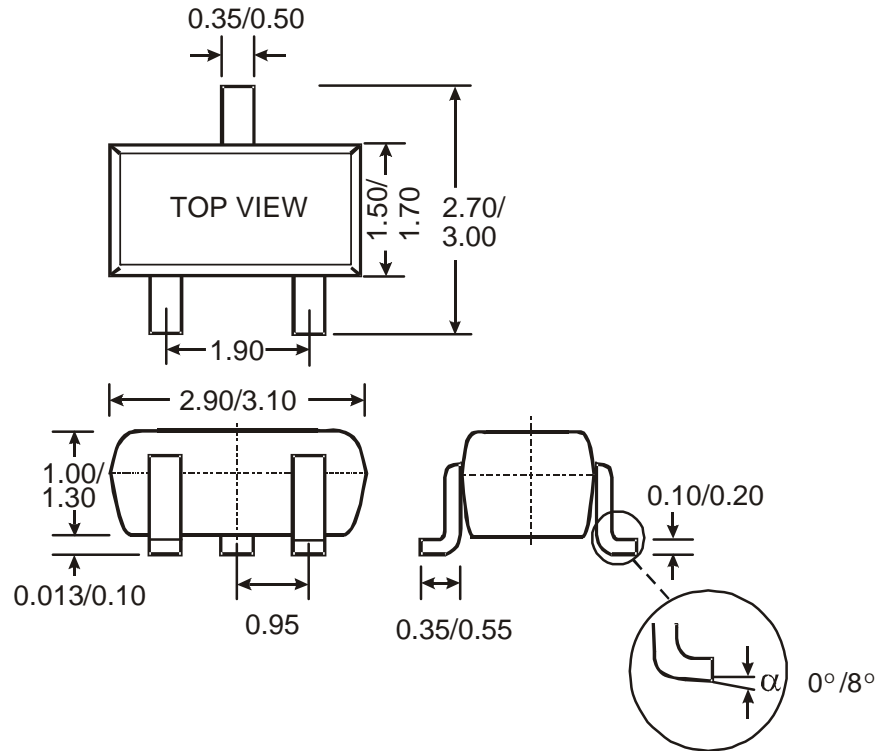
XX : Identification code
Y : Year : 0~9
W : Week : A~Z : 1~26 week;
 a~z : 27~52 week;
 z represents 52 and 53 week
X : Internal code
 A~Z : Green
 a~z : Lead Free

| Device | Package (Note 11) | Identification Code |
|------------|-------------------|---------------------|
| AP130-15Y | SOT89-3L | CA |
| AP130-18Y | SOT89-3L | CD |
| AP130-20Y | SOT89-3L | CF |
| AP130-25Y | SOT89-3L | CK |
| AP130-28Y | SOT89-3L | CN |
| AP130-30Y | SOT89-3L | CP |
| AP130-33Y | SOT89-3L | CS |
| AP130-35Y | SOT89-3L | CU |
| AP130-15YR | SOT89R-3L | GO |
| AP130-18YR | SOT89R-3L | GR |
| AP130-20YR | SOT89R-3L | GT |
| AP130-25YR | SOT89R-3L | GY |
| AP130-28YR | SOT89R-3L | H1 |
| AP130-30YR | SOT89R-3L | H3 |
| AP130-33YR | SOT89R-3L | H9 |
| AP130-35YR | SOT89R-3L | HB |

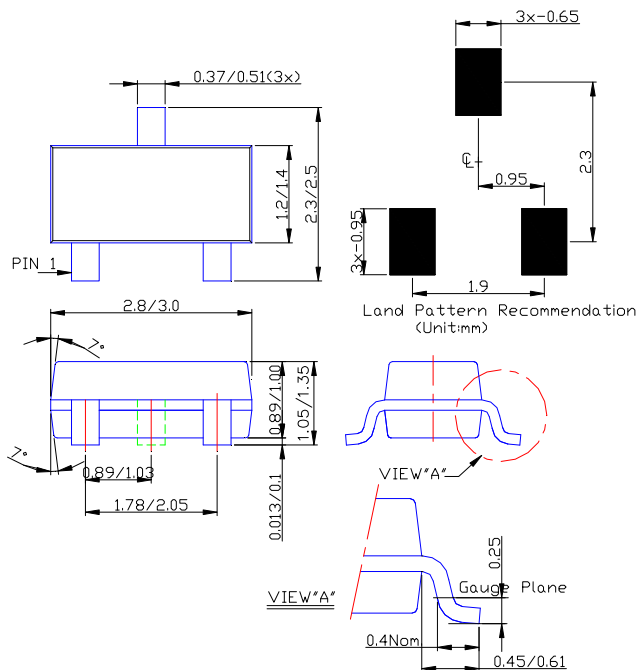
Notes: 11. For Packaging Details, go to our website at <http://www.diodes.com/datasheets/ap02007.pdf>.

Package Outline Dimensions (All Dimensions in mm)

(1) Package Type: SC59 and SC59R



(2) Package Type: SOT23



Package Outline Dimensions (Continued)

(3) Package Type: SOT89-3L and SOT89R-3L



IMPORTANT NOTICE

DIODES INCORPORATED MAKES NO WARRANTY OF ANY KIND, EXPRESS OR IMPLIED, WITH REGARDS TO THIS DOCUMENT, INCLUDING, BUT NOT LIMITED TO, THE IMPLIED WARRANTIES OF MERCHANTABILITY AND FITNESS FOR A PARTICULAR PURPOSE (AND THEIR EQUIVALENTS UNDER THE LAWS OF ANY JURISDICTION).

Diodes Incorporated and its subsidiaries reserve the right to make modifications, enhancements, improvements, corrections or other changes without further notice to this document and any product described herein. Diodes Incorporated does not assume any liability arising out of the application or use of this document or any product described herein; neither does Diodes Incorporated convey any license under its patent or trademark rights, nor the rights of others. Any Customer or user of this document or products described herein in such applications shall assume all risks of such use and will agree to hold Diodes Incorporated and all the companies whose products are represented on Diodes Incorporated website, harmless against all damages.

Diodes Incorporated does not warrant or accept any liability whatsoever in respect of any products purchased through unauthorized sales channel.

Should Customers purchase or use Diodes Incorporated products for any unintended or unauthorized application, Customers shall indemnify and hold Diodes Incorporated and its representatives harmless against all claims, damages, expenses, and attorney fees arising out of, directly or indirectly, any claim of personal injury or death associated with such unintended or unauthorized application.

Products described herein may be covered by one or more United States, international or foreign patents pending. Product names and markings noted herein may also be covered by one or more United States, international or foreign trademarks.

LIFE SUPPORT

Diodes Incorporated products are specifically not authorized for use as critical components in life support devices or systems without the express written approval of the Chief Executive Officer of Diodes Incorporated. As used herein:

A. Life support devices or systems are devices or systems which:

1. are intended to implant into the body, or
2. support or sustain life and whose failure to perform when properly used in accordance with instructions for use provided in the labeling can be reasonably expected to result in significant injury to the user.

B. A critical component is any component in a life support device or system whose failure to perform can be reasonably expected to cause the failure of the life support device or to affect its safety or effectiveness.

Customers represent that they have all necessary expertise in the safety and regulatory ramifications of their life support devices or systems, and acknowledge and agree that they are solely responsible for all legal, regulatory and safety-related requirements concerning their products and any use of Diodes Incorporated products in such safety-critical, life support devices or systems, notwithstanding any devices- or systems-related information or support that may be provided by Diodes Incorporated. Further, Customers must fully indemnify Diodes Incorporated and its representatives against any damages arising out of the use of Diodes Incorporated products in such safety-critical, life support devices or systems.

Copyright © 2010, Diodes Incorporated

www.diodes.com



Компания «ЭлектроПласт» предлагает заключение долгосрочных отношений при поставках импортных электронных компонентов на взаимовыгодных условиях!

Наши преимущества:

- Оперативные поставки широкого спектра электронных компонентов отечественного и импортного производства напрямую от производителей и с крупнейших мировых складов;
- Поставка более 17-ти миллионов наименований электронных компонентов;
- Поставка сложных, дефицитных, либо снятых с производства позиций;
- Оперативные сроки поставки под заказ (от 5 рабочих дней);
- Экспресс доставка в любую точку России;
- Техническая поддержка проекта, помощь в подборе аналогов, поставка прототипов;
- Система менеджмента качества сертифицирована по Международному стандарту ISO 9001;
- Лицензия ФСБ на осуществление работ с использованием сведений, составляющих государственную тайну;
- Поставка специализированных компонентов (Xilinx, Altera, Analog Devices, Intersil, Interpoint, Microsemi, Aeroflex, Peregrine, Syfer, Eurofarad, Texas Instrument, Miteq, Cobham, E2V, MA-COM, Hittite, Mini-Circuits, General Dynamics и др.);

Помимо этого, одним из направлений компании «ЭлектроПласт» является направление «Источники питания». Мы предлагаем Вам помощь Конструкторского отдела:

- Подбор оптимального решения, техническое обоснование при выборе компонента;
- Подбор аналогов;
- Консультации по применению компонента;
- Поставка образцов и прототипов;
- Техническая поддержка проекта;
- Защита от снятия компонента с производства.



Как с нами связаться

Телефон: 8 (812) 309 58 32 (многоканальный)

Факс: 8 (812) 320-02-42

Электронная почта: org@eplast1.ru

Адрес: 198099, г. Санкт-Петербург, ул. Калинина, дом 2, корпус 4, литера А.