



FEATURES

- RoHS compliant
- Efficiency up to 80%
- Power density up to 0.85W/cm³
- Wide temperature performance at full 1 Watt load, -40°C to 85°C
- Dual output from a single input rail
- UL 94V-0 package material
- No heatsink required
- Footprint from 1.17cm²
- Industry standard pinout
- Power sharing on output
- 1kVDC isolation
- 5V, 12V, & 15V input
- 5V, 9V, 12V and 15V output
- Internal SMD construction
- Fully encapsulated with toroidal magnetics
- No external components required
- MTTF up to 3.1 million hours
- No electrolytic or tantalum capacitors

DESCRIPTION

The NMA series of industrial temperature range DC/DC converters are the standard building blocks for on-board distributed power systems. They are ideally suited for providing dual rail supplies on primarily digital boards with the added benefit of galvanic isolation to reduce switching noise. All of the rated power may be drawn from a single pin provided the total load does not exceed 1 watt.

SELECTION GUIDE

| Order Code | Nominal Input Voltage | Output Voltage | Output Current | Input Current at Rated Load | Efficiency | Isolation Capacitance | MTTF ¹ | Package Style |
|------------|-----------------------|----------------|----------------|-----------------------------|------------|-----------------------|-------------------|---------------|
| | V | V | mA | mA | % | pF | kHrs | |
| NMA0505DC | 5 | ±5 | ±100 | 289 | 69 | 28 | 3103 | DIP |
| NMA0509DC | 5 | ±9 | ±55 | 267 | 75 | 32 | 2257 | |
| NMA0512DC | 5 | ±12 | ±42 | 260 | 77 | 34 | 1579 | |
| NMA0515DC | 5 | ±15 | ±33 | 256 | 78 | 36 | 1065 | |
| NMA0505SC | 5 | ±5 | ±100 | 289 | 69 | 28 | 3103 | SIP |
| NMA0509SC | 5 | ±9 | ±55 | 267 | 75 | 32 | 2257 | |
| NMA0512SC | 5 | ±12 | ±42 | 260 | 77 | 34 | 1579 | |
| NMA0515SC | 5 | ±15 | ±33 | 256 | 78 | 36 | 1065 | |
| NMA1205DC | 12 | ±5 | ±100 | 120 | 69 | 33 | 2193 | DIP |
| NMA1209DC | 12 | ±9 | ±55 | 113 | 74 | 46 | 1734 | |
| NMA1212DC | 12 | ±12 | ±42 | 111 | 75 | 55 | 1303 | |
| NMA1215DC | 12 | ±15 | ±33 | 110 | 76 | 54 | 932 | |
| NMA1205SC | 12 | ±5 | ±100 | 120 | 69 | 33 | 2193 | SIP |
| NMA1209SC | 12 | ±9 | ±55 | 113 | 74 | 46 | 1734 | |
| NMA1212SC | 12 | ±12 | ±42 | 111 | 75 | 55 | 1303 | |
| NMA1215SC | 12 | ±15 | ±33 | 110 | 76 | 54 | 932 | |
| NMA1505DC | 15 | ±5 | ±100 | 91 | 71 | 39 | 1941 | DIP |
| NMA1512DC | 15 | ±12 | ±42 | 87 | 78 | 68 | 790 | |
| NMA1515DC | 15 | ±15 | ±33 | 84 | 80 | 84 | 523 | |
| NMA1505SC | 15 | ±5 | ±100 | 91 | 71 | 39 | 1941 | |
| NMA1512SC | 15 | ±12 | ±42 | 87 | 78 | 68 | 790 | |
| NMA1515SC | 15 | ±15 | ±33 | 84 | 80 | 84 | 523 | |

INPUT CHARACTERISTICS

| Parameter | Conditions | Min. | Typ. | Max. | Units |
|--------------------------|---------------------------------------|------|------|------|--------|
| Voltage range | Continuous operation, 5V input types | 4.5 | 5 | 5.5 | V |
| | Continuous operation, 12V input types | 10.8 | 12 | 13.2 | |
| | Continuous operation, 15V input types | 13.5 | 15 | 16.5 | |
| Reflected ripple current | | | 20 | 40 | mA p-p |

ABSOLUTE MAXIMUM RATINGS

| | |
|---|-------|
| Lead temperature 1.5mm from case for 10 seconds | 300°C |
| Internal power dissipation | 450mW |
| Input voltage V _{IN} , NMA05 types | 7V |
| Input voltage V _{IN} , NMA12 types | 15V |
| Input voltage V _{IN} , NMA15 types | 18V |

1. Calculated using MIL-HDBK-217FN2 calculation model with nominal input voltage at full load.
All specifications typical at T_A=25°C, nominal input voltage and rated output current unless otherwise specified.



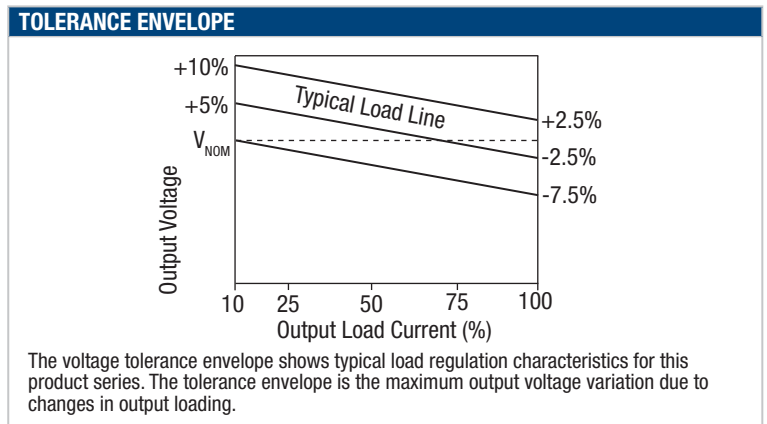
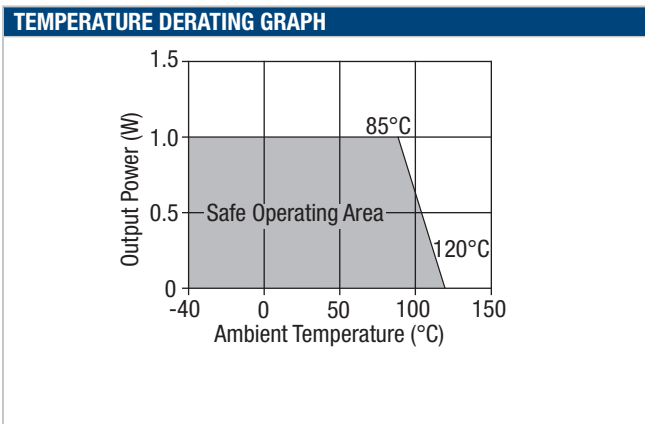
For full details go to
www.murata-ps.com/rohs

| OUTPUT CHARACTERISTICS | | | | | |
|---|---|------------------|------|------|--------|
| Parameter | Conditions | Min. | Typ. | Max. | Units |
| Rated Power ¹ | T _A =-40°C to 120°C | | | 1 | W |
| Voltage Set Point Accuracy | See tolerance envelope | | | | |
| Line regulation | High V _{IN} to low V _{IN} | | 1.0 | 1.2 | %/% |
| Load Regulation 10% load to rated load | 5V & 12V input | 5V output types | 10 | 12.5 | % |
| | | 9V output types | 9 | 10 | |
| | | 12V output types | 6.5 | 7.5 | |
| | | 15V output types | 6 | 7.0 | |
| | 15V input | 5V output types | 5.5 | 10 | |
| | | 12V output types | 2.6 | 3.0 | |
| Ripple and Noise ² | BW=DC to 20MHz, 5V output types | | 10 | 20 | mV p-p |
| | BW=DC to 20MHz, 9V output types | | 7 | 15 | |
| | BW=DC to 20MHz, 12V output types | | 7.5 | 15 | |
| | BW=DC to 20MHz, 15V output types | | 8 | 15 | |

| ISOLATION CHARACTERISTICS | | | | | |
|---------------------------|---------------------------|------|------|------|-------|
| Parameter | Conditions | Min. | Typ. | Max. | Units |
| Isolation test voltage | Flash tested for 1 second | 1000 | | | VDC |
| Resistance | Viso= 1000VDC | | 10 | | GΩ |

| GENERAL CHARACTERISTICS | | | | | |
|-------------------------|-----------------|------|------|------|-------|
| Parameter | Conditions | Min. | Typ. | Max. | Units |
| Switching frequency | 5V input types | | 110 | | kHz |
| | 12V input types | | 140 | | |
| | 15V input types | | 90 | | |

| TEMPERATURE CHARACTERISTICS | | | | | |
|--------------------------------|------------------------------------|------|------|------|-------|
| Parameter | Conditions | Min. | Typ. | Max. | Units |
| Specification | All output types | -40 | | 85 | °C |
| Storage | | -50 | | 130 | |
| Case Temperature above ambient | 0505, 1205 | | 33 | | |
| | 0509, 0512, 0515, 1209, 1212, 1215 | | 28 | | |
| | 1505 | | 26 | | |
| | 1512, 1515 | | 17 | | |
| Cooling | Free air convection | | | | |



1. See derating graph.
2. See Ripple & Noise characterisation method.

TECHNICAL NOTES

ISOLATION VOLTAGE

'Hi Pot Test', 'Flash Tested', 'Withstand Voltage', 'Proof Voltage', 'Dielectric Withstand Voltage' & 'Isolation Test Voltage' are all terms that relate to the same thing, a test voltage, applied for a specified time, across a component designed to provide electrical isolation, to verify the integrity of that isolation.

Murata Power Solutions NMA series of DC/DC converters are all 100% production tested at their stated isolation voltage. This is 1kVDC for 1 second.

A question commonly asked is, "What is the continuous voltage that can be applied across the part in normal operation?"

For a part holding no specific agency approvals, such as the NMA series, both input and output should normally be maintained within SELV limits i.e. less than 42.4V peak, or 60VDC. The isolation test voltage represents a measure of immunity to transient voltages and the part should never be used as an element of a safety isolation system. The part could be expected to function correctly with several hundred volts offset applied continuously across the isolation barrier; but then the circuitry on both sides of the barrier must be regarded as operating at an unsafe voltage and further isolation/insulation systems must form a barrier between these circuits and any user-accessible circuitry according to safety standard requirements.

REPEATED HIGH-VOLTAGE ISOLATION TESTING

It is well known that repeated high-voltage isolation testing of a barrier component can actually degrade isolation capability, to a lesser or greater degree depending on materials, construction and environment. The NMA series has toroidal isolation transformers, with no additional insulation between primary and secondary windings of enameled wire. While parts can be expected to withstand several times the stated test voltage, the isolation capability does depend on the wire insulation. Any material, including this enamel (typically polyurethane) is susceptible to eventual chemical degradation when subject to very high applied voltages thus implying that the number of tests should be strictly limited. We therefore strongly advise against repeated high voltage isolation testing, but if it is absolutely required, that the voltage be reduced by 20% from specified test voltage.

This consideration equally applies to agency recognized parts rated for better than functional isolation where the wire enamel insulation is always supplemented by a further insulation system of physical spacing or barriers.

RoHS COMPLIANT INFORMATION



This series is compatible with RoHS soldering systems with a peak wave solder temperature of 300°C for 10 seconds. The pin termination finish on the SIP package type is Tin Plate, Hot Dipped over Matte Tin with Nickel Preplate. The DIP types are Matte Tin over Nickel Preplate. Both types in this series are backward compatible with Sn/Pb soldering systems. For further information, please visit www.murata-ps.com/rohs

APPLICATION NOTES

Minimum load

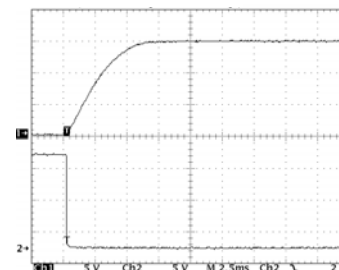
The minimum load to meet datasheet specification is 10% of the full rated load across the specified input voltage range. Lower than 10% minimum loading will result in an increase in output voltage, which may rise to typically double the specified output voltage if the output load falls to less than 5%.

Capacitive loading and start up

Typical start up times for this series, with a typical input voltage rise time of 2.2µs and output capacitance of 10µF, are shown in the table below. The product series will start into a capacitance of 47µF with an increased start time, however, the maximum recommended output capacitance is 10µF.

| | Start-up time µs | | Start-up time µs |
|-----------|---------------------|-----------|---------------------|
| NMA0505xC | 2018 | NMA1212xC | 9765 |
| NMA0509xC | 6610 | NMA1215xC | 15980 |
| NMA0512xC | 14520 | NMA1505xC | 1060 |
| NMA0515xC | 20200 | NMA1512xC | 1627 |
| NMA1205xC | 1061 | NMA1515xC | 6275 |
| NMA1209xC | 3935 | | |

Typical Start-Up Wave Form



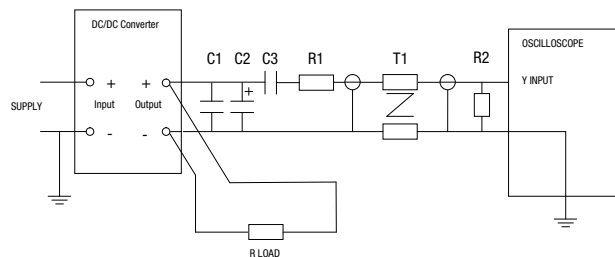
APPLICATION NOTES (continued)

Ripple & Noise Characterisation Method

Ripple and noise measurements are performed with the following test configuration.

| | |
|--|--|
| C1 | 1µF X7R multilayer ceramic capacitor, voltage rating to be a minimum of 3 times the output voltage of the DC/DC converter |
| C2 | 10µF tantalum capacitor, voltage rating to be a minimum of 1.5 times the output voltage of the DC/DC converter with an ESR of less than 100mΩ at 100 kHz |
| C3 | 100nF multilayer ceramic capacitor, general purpose |
| R1 | 450Ω resistor, carbon film, ±1% tolerance |
| R2 | 50Ω BNC termination |
| T1 | 3T of the coax cable through a ferrite toroid |
| RLOAD | Resistive load to the maximum power rating of the DC/DC converter. Connections should be made via twisted wires |
| Measured values are multiplied by 10 to obtain the specified values. | |

Differential Mode Noise Test Schematic



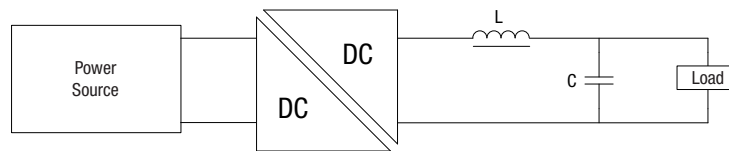
Output Ripple Reduction

By using the values of inductance and capacitance stated, the output ripple at the rated load is lowered to 5mV p-p max.

Component selection

Capacitor: It is required that the ESR (Equivalent Series Resistance) should be as low as possible, ceramic types are recommended. The voltage rating should be at least twice (except for 15V output), the rated output voltage of the DC/DC converter.

Inductor: The rated current of the inductor should not be less than that of the output of the DC/DC converter. At the rated current, the DC resistance of the inductor should be such that the voltage drop across the inductor is <2% of the rated voltage of the DC/DC converter. The SRF (Self Resonant Frequency) should be >20MHz.

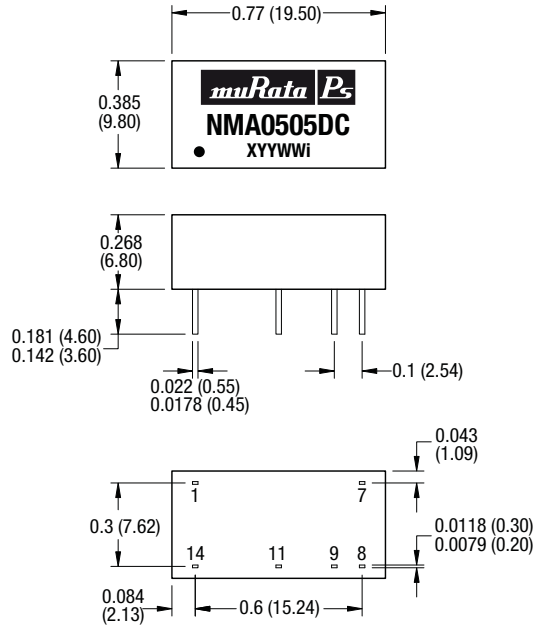


| | Inductor | | | Capacitor |
|-----------|----------|--------|--------------|-----------|
| | L, µH | SMD | Through Hole | C, µF |
| NMA0505xC | 22 | 82223C | 11R223C | 2.2µF |
| NMA0509xC | 100 | 82104C | 11R104C | 0.47µF |
| NMA0512xC | 150 | 82154C | 11R154C | 0.33µF |
| NMA0515xC | 220 | 82224C | 11R224C | 1µF |
| NMA1205xC | 22 | 82223C | 11R223C | 2.2µF |
| NMA1209xC | 47 | 82473C | 11R473C | 1µF |
| NMA1212xC | 150 | 82154C | 11R154C | 0.33µF |
| NMA1215xC | 220 | 82224C | 11R224C | 1µF |
| NMA1505xC | 22 | 82223C | 11R223C | 2.2µF |
| NMA1512xC | 150 | 82154C | 11R154C | 0.33µF |
| NMA1515xC | 220 | 82224C | 11R224C | 2.2µF |

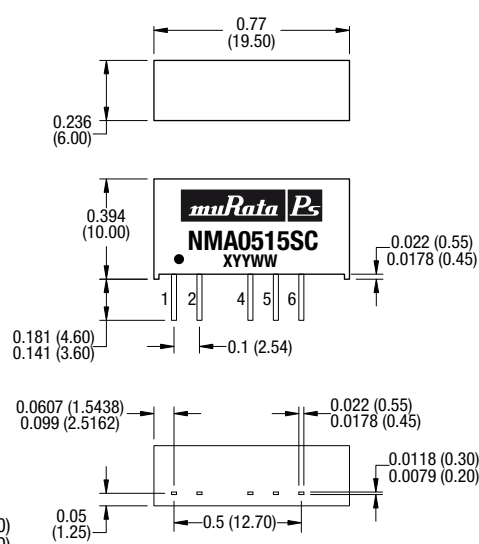
PACKAGE SPECIFICATIONS

MECHANICAL DIMENSIONS

DIP package



SIP package



All dimensions in inches ± 0.01 (mm ± 0.25 mm). All pins on a 0.1 (2.54) pitch and within ± 0.01 (0.25) of true position.

Weight: 2.4g (DIP) 2.1g (SIP)

PIN CONNECTIONS - 14 PIN DIP

| Pin | Function |
|-----|----------|
| 1 | -VIN |
| 7 | NC |
| 8 | OV |
| 9 | +VOUT |
| 11 | -VOUT |
| 14 | +VIN |

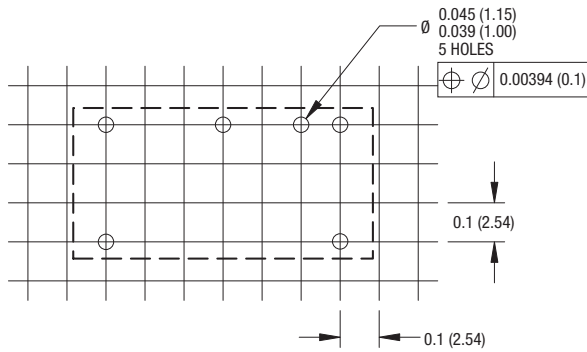
PIN CONNECTIONS - 7 PIN SIP

| Pin | Function |
|-----|----------|
| 1 | +VIN |
| 2 | -VIN |
| 4 | -VOUT |
| 5 | OV |
| 6 | +VOUT |

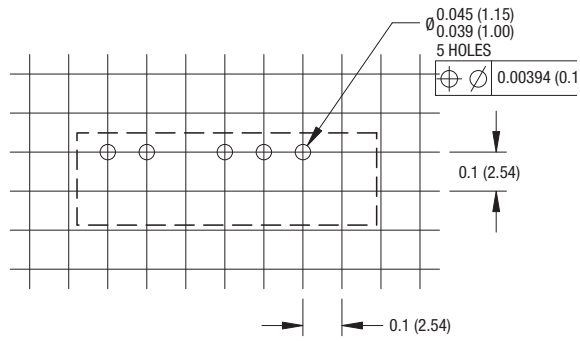
PACKAGE SPECIFICATIONS (continued)

RECOMMENDED FOOTPRINT DETAILS

14 Pin DIP Package

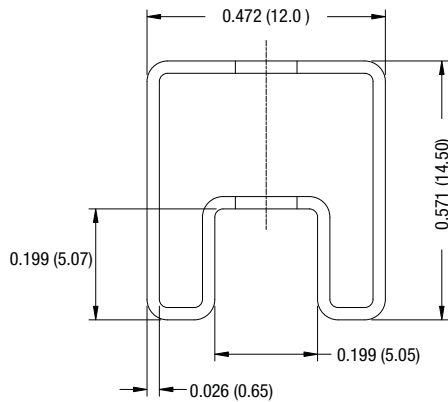


7 Pin SIP Package

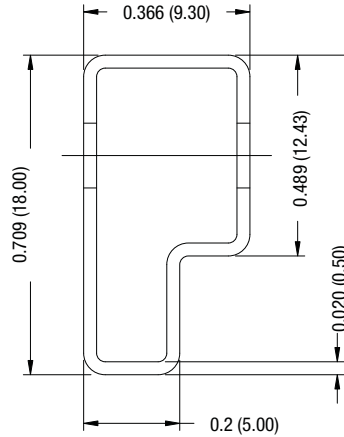


TUBE OUTLINE DIMENSIONS

14 Pin DIP Tube



7 Pin SIP Tube



Unless otherwise stated all dimensions in inches (mm) ± 0.5 mm.
 Tube length (14 Pin DIP) : 20.47 (520mm ± 2 mm).
 Tube length (7 Pin SIP) : 20.47 (520mm ± 2 mm).

Tube Quantity : 25

Murata Power Solutions, Inc.
 11 Cabot Boulevard, Mansfield, MA 02048-1151 U.S.A.
 ISO 9001 and 14001 REGISTERED



**This product is subject to the following operating requirements and the Life and Safety Critical Application Sales Policy:
 Refer to: <http://www.murata-ps.com/requirements/>**

Murata Power Solutions, Inc. makes no representation that the use of its products in the circuits described herein, or the use of other technical information contained herein, will not infringe upon existing or future patent rights. The descriptions contained herein do not imply the granting of licenses to make, use, or sell equipment constructed in accordance therewith. Specifications are subject to change without notice.
 © 2012 Murata Power Solutions, Inc.



Компания «ЭлектроПласт» предлагает заключение долгосрочных отношений при поставках импортных электронных компонентов на взаимовыгодных условиях!

Наши преимущества:

- Оперативные поставки широкого спектра электронных компонентов отечественного и импортного производства напрямую от производителей и с крупнейших мировых складов;
- Поставка более 17-ти миллионов наименований электронных компонентов;
- Поставка сложных, дефицитных, либо снятых с производства позиций;
- Оперативные сроки поставки под заказ (от 5 рабочих дней);
- Экспресс доставка в любую точку России;
- Техническая поддержка проекта, помощь в подборе аналогов, поставка прототипов;
- Система менеджмента качества сертифицирована по Международному стандарту ISO 9001;
- Лицензия ФСБ на осуществление работ с использованием сведений, составляющих государственную тайну;
- Поставка специализированных компонентов (Xilinx, Altera, Analog Devices, Intersil, Interpoint, Microsemi, Aeroflex, Peregrine, Syfer, Eurofarad, Texas Instrument, Miteq, Cobham, E2V, MA-COM, Hittite, Mini-Circuits, General Dynamics и др.);

Помимо этого, одним из направлений компании «ЭлектроПласт» является направление «Источники питания». Мы предлагаем Вам помощь Конструкторского отдела:

- Подбор оптимального решения, техническое обоснование при выборе компонента;
- Подбор аналогов;
- Консультации по применению компонента;
- Поставка образцов и прототипов;
- Техническая поддержка проекта;
- Защита от снятия компонента с производства.



Как с нами связаться

Телефон: 8 (812) 309 58 32 (многоканальный)

Факс: 8 (812) 320-02-42

Электронная почта: org@eplast1.ru

Адрес: 198099, г. Санкт-Петербург, ул. Калинина, дом 2, корпус 4, литера А.