

THIS DRAWING IS UNPUBLISHED.

RELEASED FOR PUBLICATION

SEP, 2005.

© COPYRIGHT 2005 By -

ALL RIGHTS RESERVED.

LOC	DIST
-	-

REVISIONS

P	LTR	DESCRIPTION	DATE	DWN	APVD
R		REVISED PER ECR-11-006365	28MAR2011	A.L	S.Y

- 1 CONTACT COPLANALITY IS 0.1 MAX.
- △ THIS DIMENSION MEANS CENTER OF THE POCKET.
- △ M3 TAPPING + BVTP RECOMMENDED TORQUE: 68.6N (7Kgf) MAX.
- △ FINISH
- CONTACT: V μm MIN. Au PL. ON CONTACT AREA (V: SEE TABLE)
- 0.03~0.1 μm Au PL. ON TERMINAL AREA
- Ni UNDER PL. ALL OVER
- SHELL: Sn PL. (MATTE) ALL OVER
- Ni UNDER PL. ALL OVER
- △ SCREW SIZE
- △ QTY PRINT ON THE LABEL. (EMBOSS PACKING)

- 1 コンタクトコプラナリティーは 0.1 以下。
- △ 本寸法はポケットの中心を表す。
- △ M3 TAPPING + BVTP 推奨トルク: 68.6N (7Kgf) 以下。
- △ 仕上
- コンタクト: コンタクトエリアに V μm 以上の 金めっき (V: 表参照)
- ターミナルエリアに 0.03~0.1 μm の金めっき
- ニッケル下地めっきを施す
- シェル: すずめっき (つや消し)
- ニッケル下地めっきを施す
- △ スクリューサイズ
- △ 数量はラベルに印字される (EMBOSS 梱包)

0.3	-	△ 70	1.9	-	-	-	-	33.5	37.5	9.32	0.4	32	28.4	14.2	16	WITHOUT TAPE	WITHOUT FLANGE	THROUGH HOLE	(SEE SHEET 2)	SOFT TRAY (SEE SHEET 11)	6-1903015-3
0.76	M3 x 0.5	70	1.9	46	138	6-23	46	-	-	-	-	-	-	-	-	WITH TAPE	WITH FLANGE	THROUGH HOLE	(SEE SHEET 3)	SOFT TRAY (SEE SHEET 7)	9-1903015-4
0.3	M3 x 0.5	△ 200	1.9	-	-	-	-	45.5	49.5	18.3	0.5	44	40.4	20.2	20	WITH TAPE	WITH FLANGE	THROUGH HOLE	(SEE SHEET 3)	EMBOSS (SEE SHEET 6)	9-1903015-3
0.3	M3 x 0.5	70	1.9	-	-	-	-	-	-	-	-	-	-	-	-	WITHOUT TAPE	WITH FLANGE	THROUGH HOLE	(SEE SHEET 3)	SOFT TRAY (SEE SHEET 10)	8-1903015-4
0.1	-	△ 550	1.9	-	-	-	-	33.5	37.5	9.32	0.4	32	28.4	14.2	16	WITHOUT TAPE	WITHOUT FLANGE	THROUGH HOLE	(SEE SHEET 2)	EMBOSS (SEE SHEET 6)	7-1903015-1
0.3	M3 x 0.5	△ 200	1.9	-	-	-	-	45.5	49.5	18.3	0.5	44	40.4	20.2	20	WITHOUT TAPE	WITH FLANGE	FULL SMT	(SEE SHEET 5)	EMBOSS (SEE SHEET 6)	5-1903015-9
0.3	-	△ 550	0.8	-	-	-	-	33.5	37.5	9.32	0.4	32	28.4	14.2	16	WITHOUT TAPE	WITHOUT FLANGE	THROUGH HOLE	(SEE SHEET 2)	EMBOSS (SEE SHEET 6)	5-1903015-5
0.3	M3 x 0.5	70	1.9	46	138	6-23	46	-	-	-	-	-	-	-	-	WITHOUT TAPE	WITH FLANGE	THROUGH HOLE	(SEE SHEET 3)	SOFT TRAY (SEE SHEET 7)	5-1903015-4
0.3	M3 x 0.5	△ 200	1.9	-	-	-	-	45.5	49.5	18.3	0.5	44	40.4	20.2	20	WITHOUT TAPE	WITH FLANGE	THROUGH HOLE	(SEE SHEET 3)	EMBOSS (SEE SHEET 6)	5-1903015-3
0.3	△ φ2.65±0.3	70	1.9	46	138	6-23	46	-	-	-	-	-	-	-	-	WITHOUT TAPE	WITH FLANGE	THROUGH HOLE	(SEE SHEET 3)	SOFT TRAY (SEE SHEET 7)	5-1903015-2
0.3	-	△ 400	1.9	-	-	-	-	33.5	37.5	9.32	0.4	32	28.4	14.2	16	WITHOUT TAPE	WITHOUT FLANGE	THROUGH HOLE	(SEE SHEET 2)	EMBOSS (SEE SHEET 6)	5-1903015-1
0.3	M3 x 0.5	70	1.0	46	138	6-23	46	-	-	-	-	-	-	-	-	WITHOUT TAPE	WITH FLANGE	THROUGH HOLE	(SEE SHEET 3)	SOFT TRAY (SEE SHEET 7)	4-1903015-1
0.76	-	△ 400	1.2	-	-	-	-	33.5	37.5	9.32	0.4	32	28.4	14.2	16	WITHOUT TAPE	WITHOUT FLANGE	THROUGH HOLE	(SEE SHEET 2)	EMBOSS (SEE SHEET 6)	2-1903015-2
0.76	M3 x 0.5	70	1.9	-	-	-	-	-	-	-	-	-	-	-	-	WITHOUT TAPE	WITH FLANGE	THROUGH HOLE	(SEE SHEET 3)	SOFT TRAY (SEE SHEET 9)	1903015-8
0.76	△ φ2.65±0.3	70	1.9	-	-	-	-	-	-	-	-	-	-	-	-	WITHOUT TAPE	WITH FLANGE	THROUGH HOLE	(SEE SHEET 3)	SOFT TRAY (SEE SHEET 9)	1903015-7
0.76	M3 x 0.5	50	1.9	54.4	120	4-30	54.4	-	-	-	-	-	-	-	-	WITHOUT TAPE	WITH FLANGE	THROUGH HOLE	(SEE SHEET 3)	SOFT TRAY (SEE SHEET 9)	1903015-5
0.76	M3 x 0.5	70	1.9	46	138	6-23	46	-	-	-	-	-	-	-	-	WITHOUT TAPE	WITH FLANGE	THROUGH HOLE	(SEE SHEET 4)	SOFT TRAY (SEE SHEET 8)	1903015-4
0.76	M3 x 0.5	△ 200	1.9	-	-	-	-	45.5	49.5	18.3	0.5	44	40.4	20.2	20	WITHOUT TAPE	WITH FLANGE	THROUGH HOLE	(SEE SHEET 4)	EMBOSS (SEE SHEET 6)	1903015-3
0.76	△ φ2.65±0.3	70	1.9	46	138	6-23	46	-	-	-	-	-	-	-	-	WITHOUT TAPE	WITH FLANGE	THROUGH HOLE	(SEE SHEET 3)	SOFT TRAY (SEE SHEET 7)	1903015-2
0.76	-	△ 400	1.9	-	-	-	-	33.5	37.5	9.32	0.4	32	28.4	14.2	16	WITHOUT TAPE	WITHOUT FLANGE	THROUGH HOLE	(SEE SHEET 2)	EMBOSS (SEE SHEET 6)	1903015-1
V	U	T	AA	S	R	P	N	M	L	K	J	H	G	F	E	POLYIMIDE TAPE	FLANGE	SHELL TYPE	CONNECTOR	PACKING	PART NUMBER

△ Au PL. △ SCREW SIZE QTY

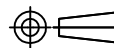
DIMENSION

PART LIST

THIS DRAWING IS A CONTROLLED DOCUMENT.

DIMENSIONS:  
単位: 英  
mm

TOLERANCES UNLESS  
OTHERWISE SPECIFIED:  
一般公差



- 0 PLC ±
- 1 PLC ±
- 2 PLC ±
- 3 PLC ±
- 4 PLC ±
- ANGLES ±

MATERIAL  
材料

FINISH  
仕上

DWN	26SEP2005
R. MURAYAMA	
CHK	26SEP2005
T. KIMURA	
APVD	26SEP2005
T. KIMURA	
PRODUCT SPEC	
製品規格	
108-78180-2	
APPLICATION SPEC	
取付適用規格	
WEIGHT	

**TE** TE Connectivity

NAME 名称  
HDMI 19 POS RECEPTACLE ASSY  
SMT SHORT TYPE

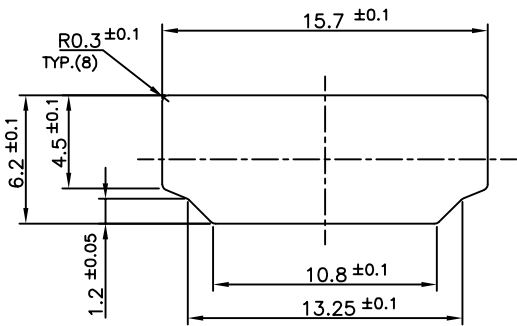
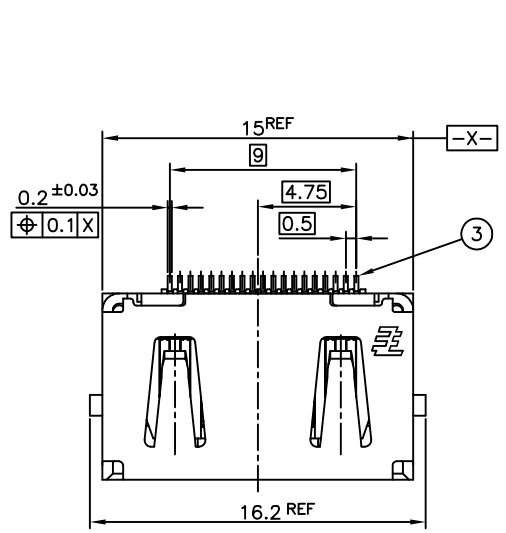
SIZE CAGE CODE DRAWING NO  
A3 00779 C=1903015

RESTRICTED TO

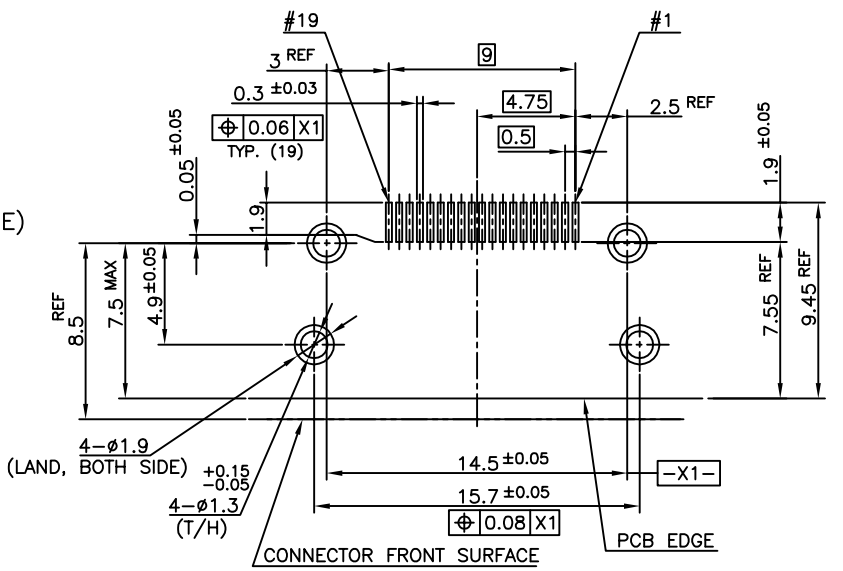
CUSTOMER DRAWING

SCALE 尺度 4:1 SHEET 1 OF 12 REV R

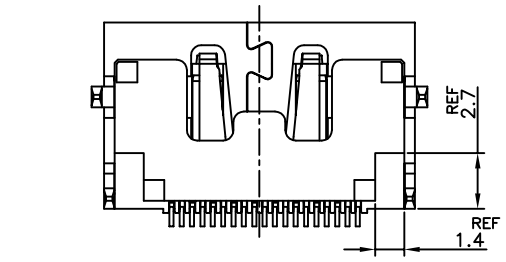
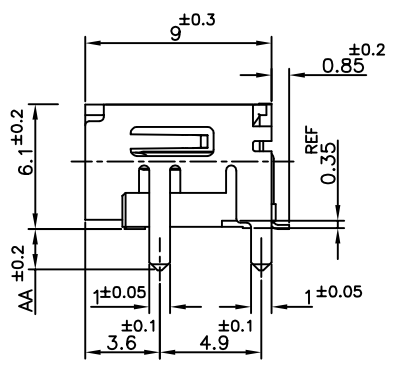
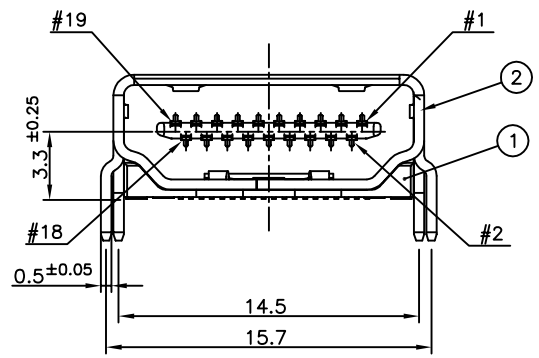
LOC	DIST	REVISIONS				
		P	LTR	DATE	DWN	APVD
		SEE SHEET 1				



PANEL CUT OUT DIMENSION (REFERENCE)



P.C.B LAYOUT (REFERENCE)  
SHOWN AS CONNECTOR MOUNTING SIDE  
TOLERANCE: NON-CUMULATIVE

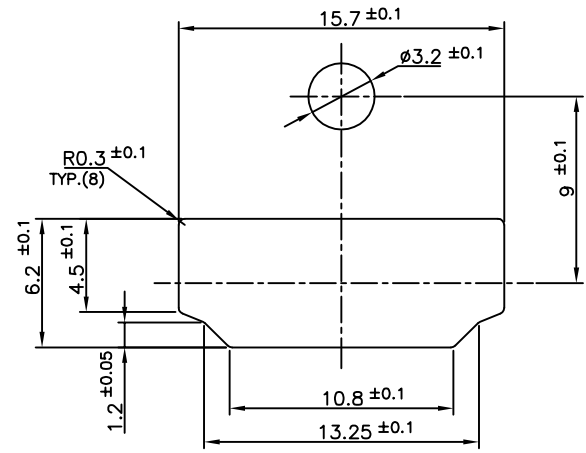
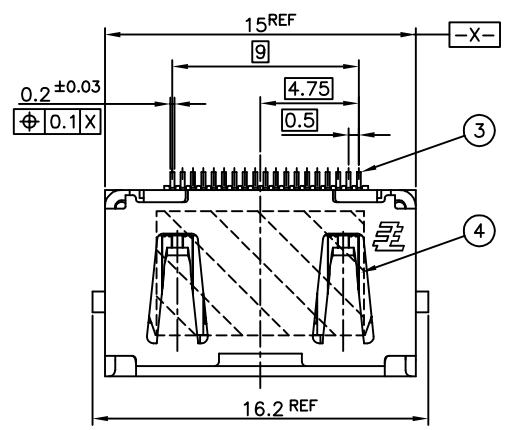


CONNECTOR: WITHOUT FLANGE THROUGH HOLE TYPE

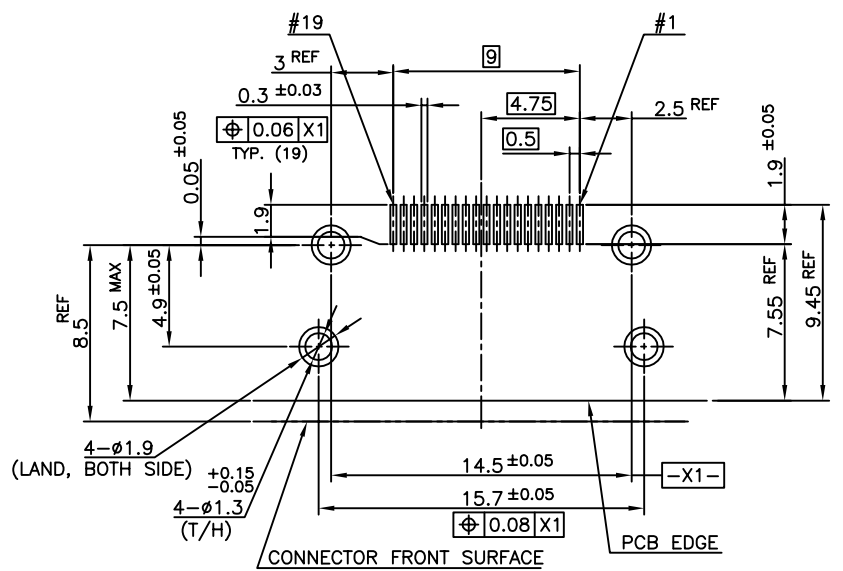
BRASS	CONTACT	(3)
PHOSPHOR BRONZE	SHELL	(2)
GLASS FILLED LCP UL94V-0, BLACK COLOR	HOUSING	(1)
MATERIAL	DESCRIPTION	ITEM

THIS DRAWING IS A CONTROLLED DOCUMENT.		DWN			
DIMENSIONS: 單位: 毫米 mm		CHK			
TOLERANCES UNLESS OTHERWISE SPECIFIED: 一般公差		APVD		NAME 名稱	
0 PLC ±		PRODUCT SPEC 製品規格		HDMI 19 POS RECEPTACLE ASSY SMT SHORT TYPE	
1 PLC ±		APPLICATION SPEC 取付適用規格		SIZE	
2 PLC ±		WEIGHT		CAGE CODE	
3 PLC ±		CUSTOMER DRAWING		DRAWING NO	
4 PLC ±				A3 00779 C=1903015	
ANGLES ±				RESTRICTED TO	
FINISH 仕上				SCALE 尺度 4:1	
				SHEET 2 OF 12	
				REV R	

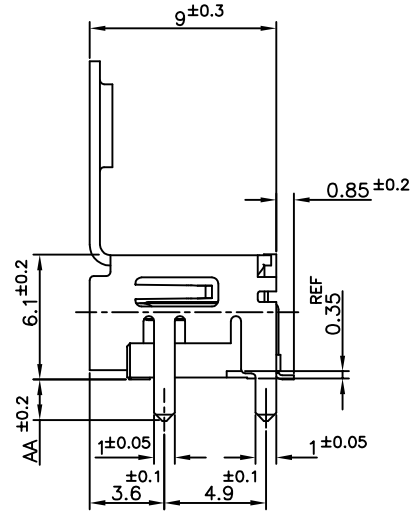
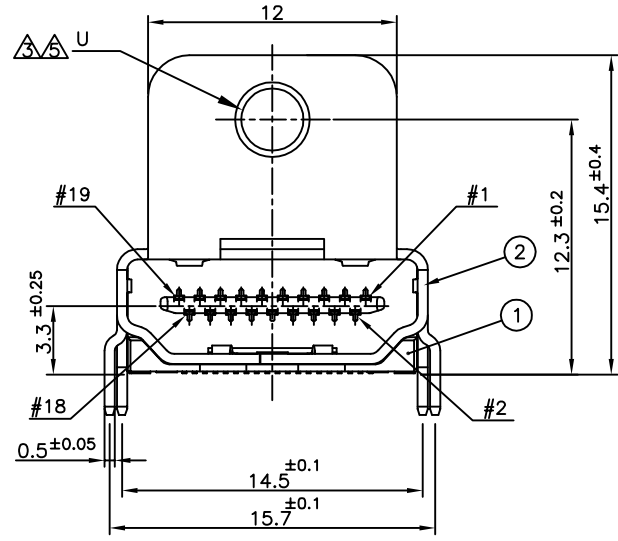
LOC	DIST	REVISIONS				
		P	LTR	DATE	DWN	APVD
		SEE SHEET 1				



PANEL CUT OUT DIMENSION (REFERENCE)

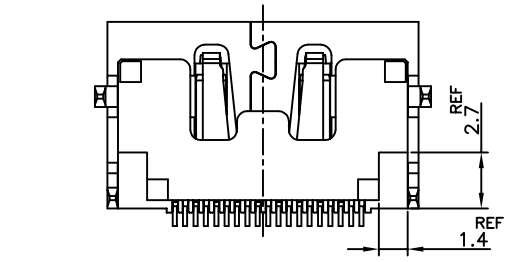


P.C.B LAYOUT (REFERENCE)  
SHOWN AS CONNECTOR MOUNTING SIDE  
TOLERANCE: NON-CUMULATIVE



CONNECTOR: WITH FLANGE THROUGH HOLE TYPE

MATERIAL	DESCRIPTION	ITEM
POLYIMIDE	TAPE	④
BRASS	CONTACT	③
PHOSPHOR BRONZE	SHELL	②
GLASS FILLED LCP UL94V-0, BLACK COLOR	HOUSING	①

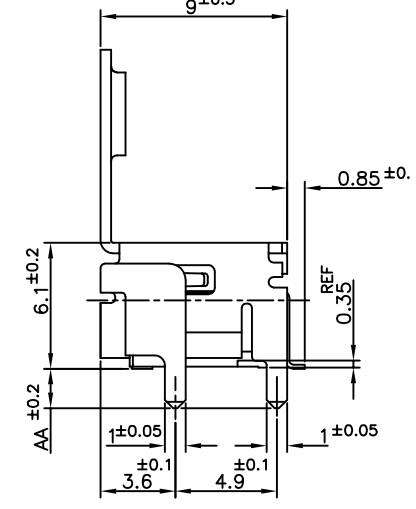
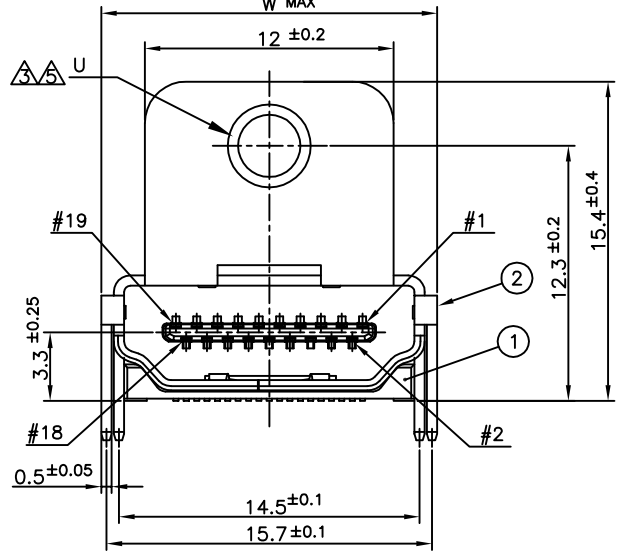
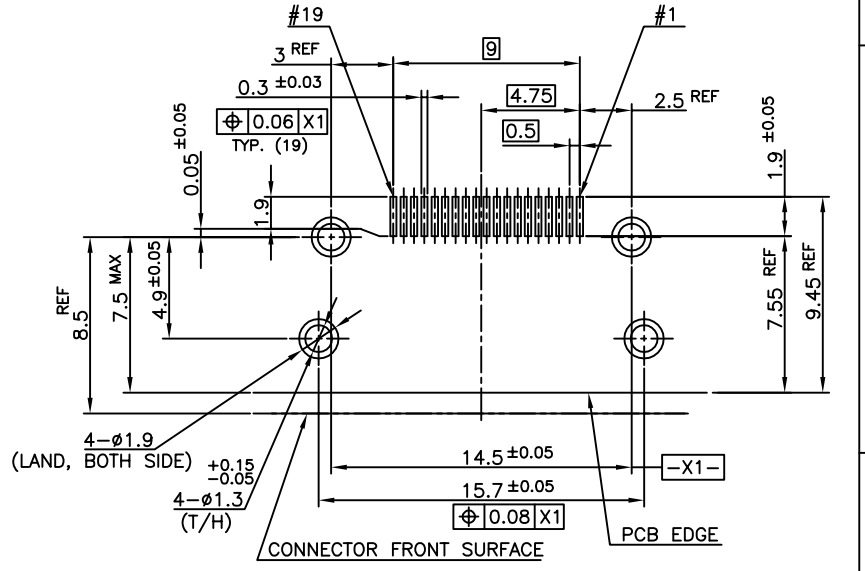
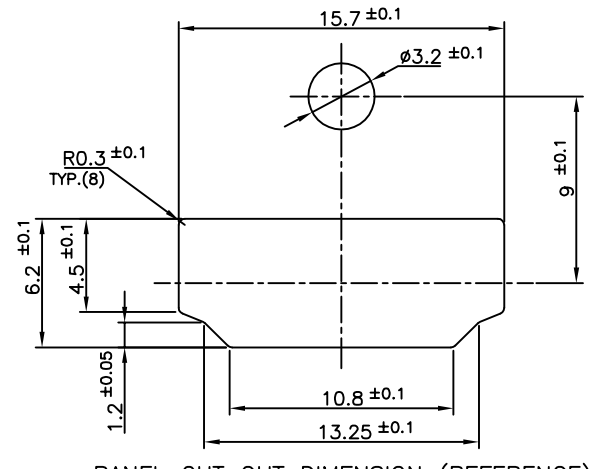
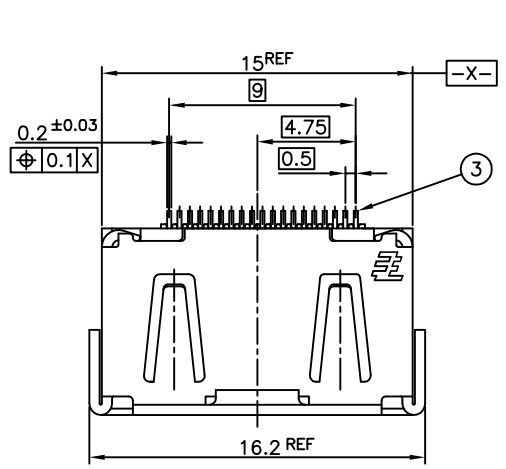


THIS DRAWING IS A CONTROLLED DOCUMENT.

DIMENSIONS: 單位: 毫米 mm	TOLERANCES UNLESS OTHERWISE SPECIFIED: 一般公差	DWN	CHK	APVD	NAME 名稱
0 PLC ±	1 PLC ±	PRODUCT SPEC 製品規格	HDMI 19 POS RECEPTACLE ASSY SMT SHORT TYPE		
2 PLC ±	3 PLC ±	APPLICATION SPEC 取付適用規格	SIZE	CAGE CODE	DRAWING NO 番号
4 PLC ±	ANGLES ±	WEIGHT	A3	00779	G=1903015
MATERIAL 材料	FINISH 仕上	CUSTOMER DRAWING	SCALE 尺度	SHEET 張	REV
			4:1	3 OF 12	R

RESTRICTED TO

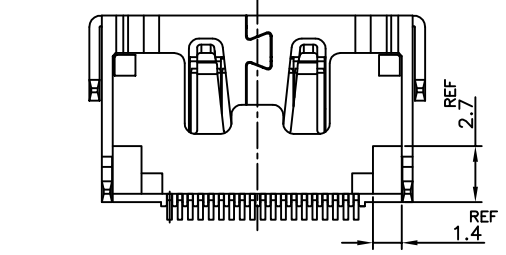
LOC	DIST	REVISIONS				
		P	LTR	DATE	DWN	APVD
		SEE SHEET 1				



P.C.B LAYOUT (REFERENCE)  
SHOWN AS CONNECTOR MOUNTING SIDE  
TOLERANCE: NON-CUMULATIVE

MATERIAL	DESCRIPTION	ITEM
POLYIMIDE	TAPE	(4)
BRASS	CONTACT	(3)
PHOSPHOR BRONZE	SHELL	(2)
GLASS FILLED LCP UL94V-0, BLACK COLOR	HOUSING	(1)

CONNECTOR: WITH FLANGE THROUGH HOLE TYPE



THIS DRAWING IS A CONTROLLED DOCUMENT.

DIMENSIONS: 單位: 毫米 mm	TOLERANCES UNLESS OTHERWISE SPECIFIED: 一般公差	DWN	CHK	APVD	NAME 名稱
0 PLC ±	1 PLC ±	PRODUCT SPEC 製品規格	APPLICATION SPEC 取付適用規格	WEIGHT	HDMI 19 POS RECEPTACLE ASSY SMT SHORT TYPE
2 PLC ±	3 PLC ±	4 PLC ANGLES ±	FINISH 仕上	CUSTOMER DRAWING	
MATERIAL 材料					SIZE A3
					CAGE CODE 00779
					DRAWING NO C=1903015
					RESTRICTED TO
					SCALE 尺度 4:1
					SHEET 4 OF 12
					REV R



THIS DRAWING IS UNPUBLISHED.

RELEASED FOR PUBLICATION

SEP ,2005.

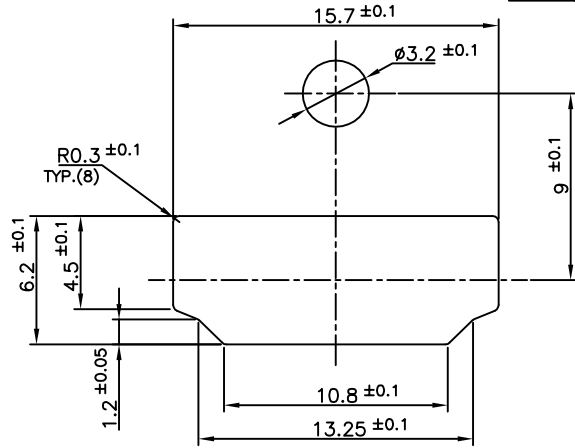
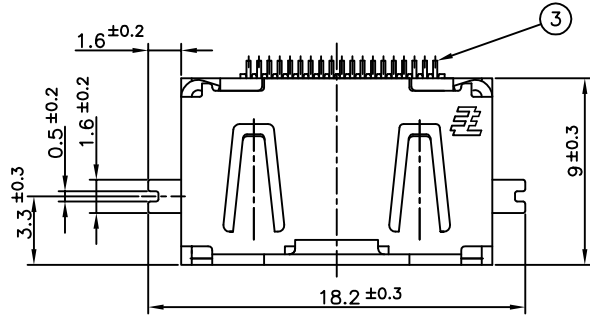
© COPYRIGHT 2005 By -

ALL RIGHTS RESERVED.

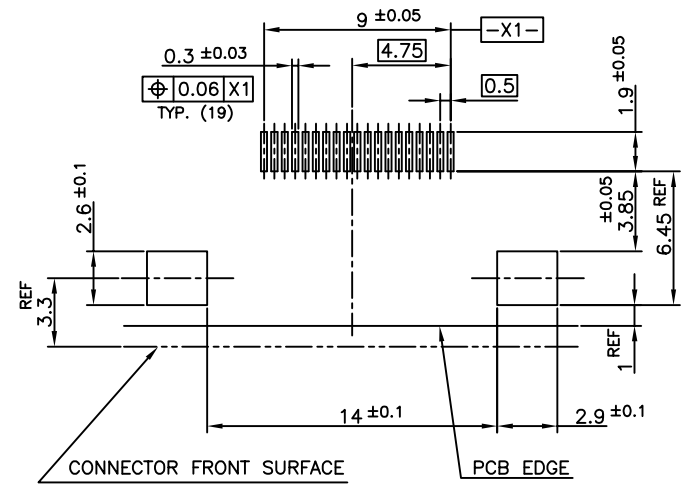
LOC DIST

REVISIONS

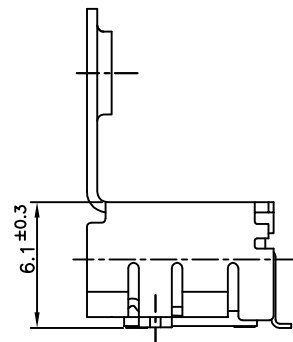
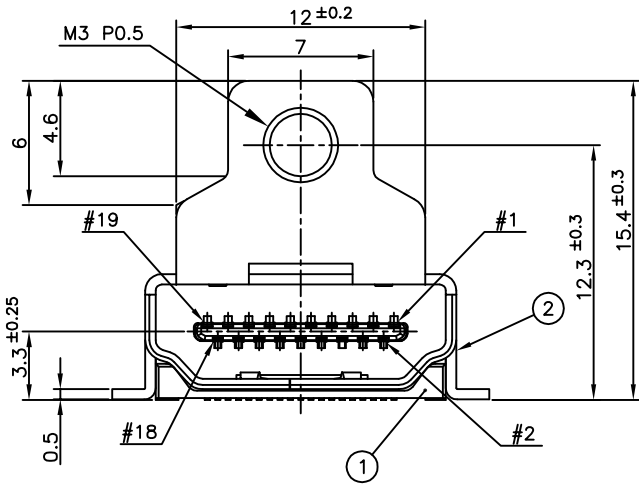
P	LTR	DESCRIPTION	DATE	DWN	APVD
-	-	SEE SHEET 1	-	-	-



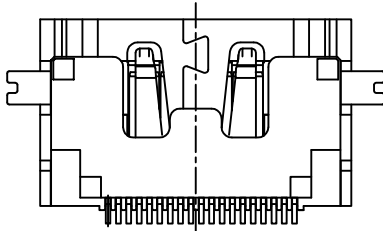
PANEL CUT OUT DIMENSION (REFERENCE)



P.C.B LAYOUT (REFERENCE)  
SHOWN AS CONNECTOR MOUNTING SIDE  
TOLERANCE: NON-CUMULATIVE



CONNECTOR: WITH FLANGE FULL SMT TYPE



BRASS	CONTACT	(3)
PHOSPHOR BRONZE	SHELL	(2)
GLASS FILLED LCP UL94V-0, BLACK COLOR	HOUSING	(1)
MATERIAL	DESCRIPTION	ITEM

THIS DRAWING IS A CONTROLLED DOCUMENT.		DWN			
DIMENSIONS: 單位: 毫米 mm		CHK			
TOLERANCES UNLESS OTHERWISE SPECIFIED: 一般公差		APVD		NAME 名稱	
0 PLC ± 1 PLC ± 2 PLC ± 3 PLC ± 4 PLC ± ANGLES ±		PRODUCT SPEC 製品規格		HDMI 19 POS RECEPTACLE ASSY SMT SHORT TYPE	
MATERIAL 材料		FINISH 仕上		DRAWING NO 番号	
		WEIGHT		SIZE A3	
		CUSTOMER DRAWING		CAGE CODE 00779	
				DRAWING NO G=1903015	
				RESTRICTED TO	
				SCALE 尺度 4:1	
				SHEET 5 of 12	
				REV R	

4

3

2

1

THIS DRAWING IS UNPUBLISHED.

RELEASED FOR PUBLICATION

SEP, 2005.

© COPYRIGHT 2005 By -

ALL RIGHTS RESERVED.

1903015-1, 2-1903015-2, 5-1903015-1  
5-1903015-5, 7-1903015-1; AS SHOWN

LOC	DIST
-	-

REVISIONS

変更

DESCRIPTION

DATE

DWN

APVD

P

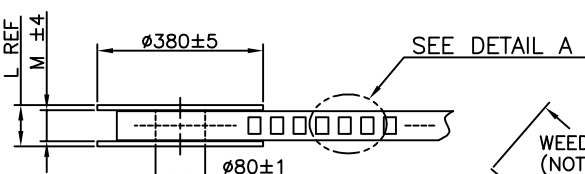
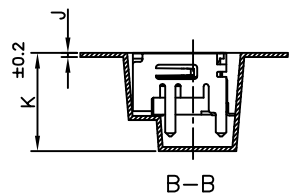
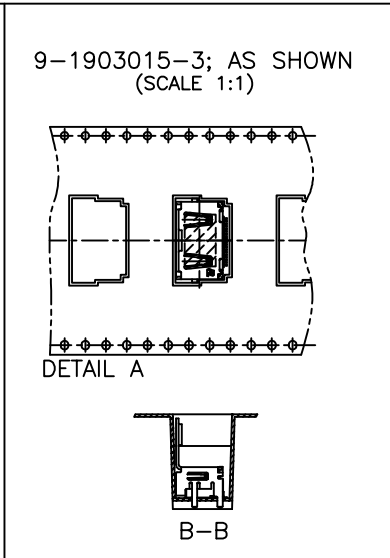
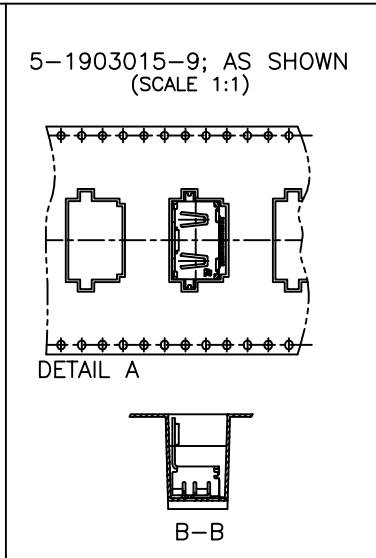
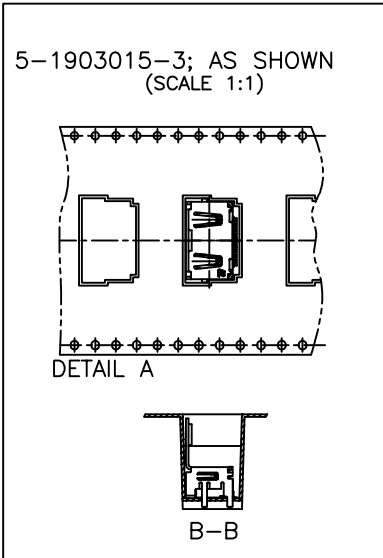
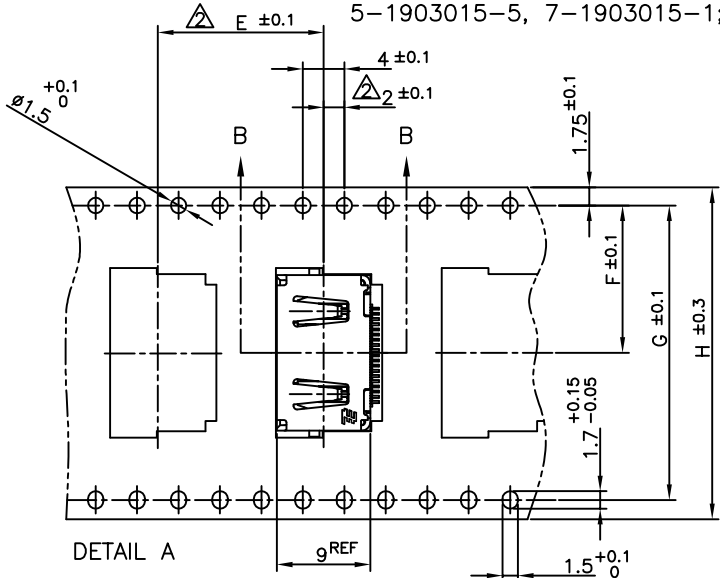
LTR

SEE SHEET 1

-

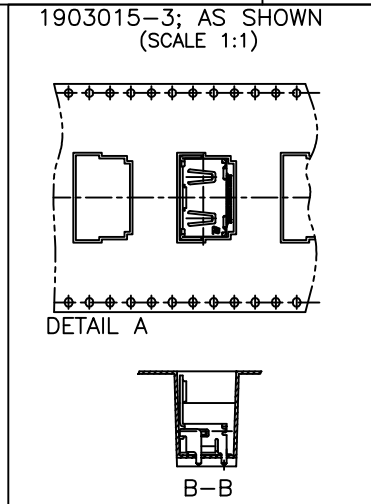
-

-

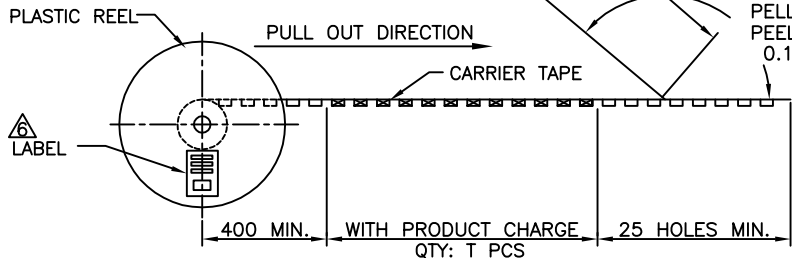


WEEDING THE COVER TAPE: 300 MIN (NOT INCLUDE EMPTINESS POCKET)  
PELLING ANGLE: 165°~180°  
PEELING STRENGTH: 0.1~0.7N (300mm/min.)

△ LABEL DESCRIPTION  
TYCO P/N: \*-1903015-\*  
QTY: \* pcs  
D/C: MADE IN CHINA



PET	COVER TAPE
PS	CARRIER TAPE
PLASTIC	REEL
MATERIAL	DESCRIPTION



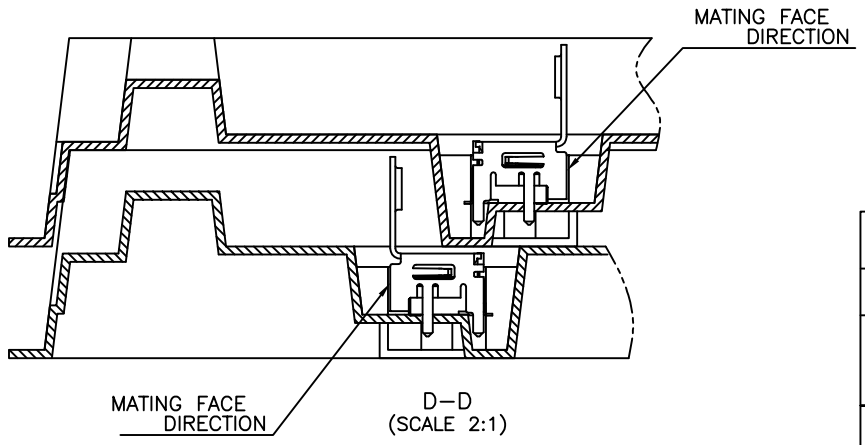
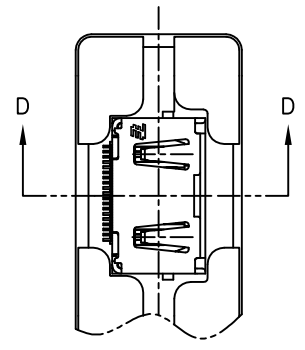
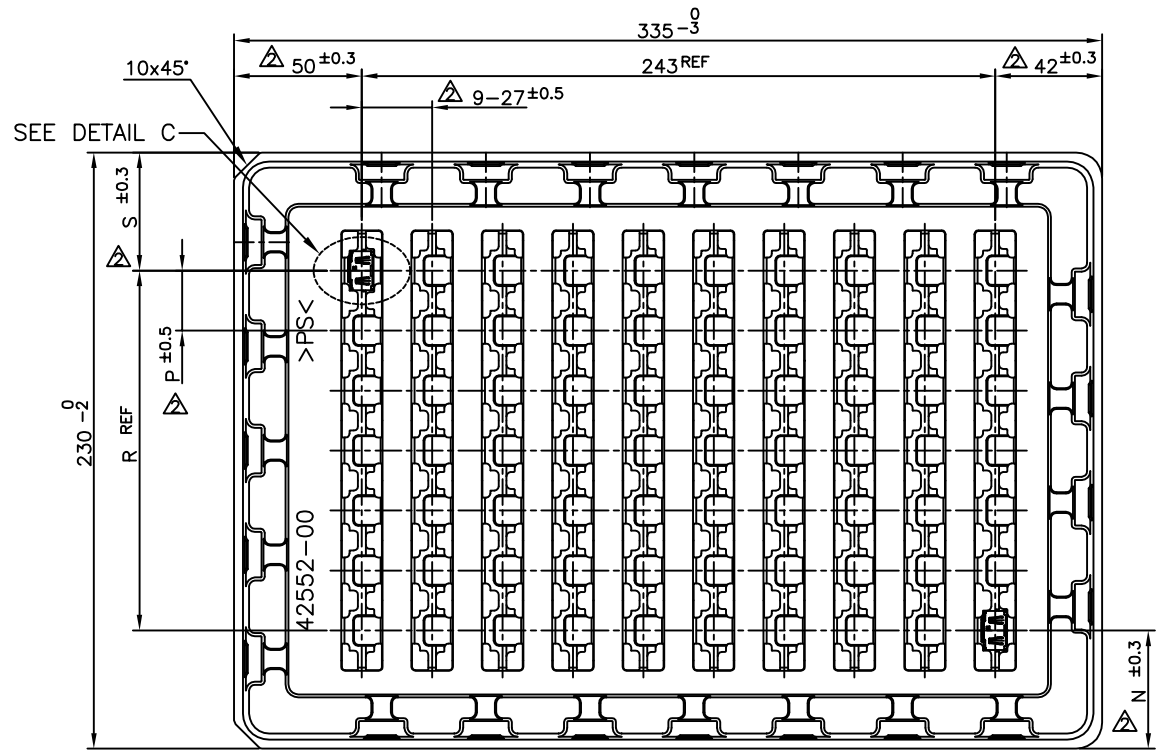
THIS DRAWING IS A CONTROLLED DOCUMENT.		DWN
DIMENSIONS: 單位: 毫米 mm		CHK
TOLERANCES UNLESS OTHERWISE SPECIFIED: 一般公差		APVD
0 PLC ±	1 PLC ±	PRODUCT SPEC 製品規格
2 PLC ±	3 PLC ±	APPLICATION SPEC 取付適用規格
4 PLC ±	ANGLES ±	WEIGHT
MATERIAL 材料	FINISH 仕上	CUSTOMER DRAWING

TE Connectivity NAME 名稱 HDMI 19 POS RECEPTACLE ASSY SMT SHORT TYPE		SIZE	CAGE CODE	DRAWING NO 番号	RESTRICTED TO
		A3	00779	G=1903015	
SCALE 尺度 4:1		SHEET 6 of 12	REV R		

THIS DRAWING IS UNPUBLISHED. RELEASED FOR PUBLICATION SEP, 2005. ALL RIGHTS RESERVED.

1903015-2, 1903015-5, 4-1903015-1, 5-1903015-2, 5-1903015-4  
8-1903015-4, 9-1903015-4; AS SHOWN

LOC	DIST	REVISIONS		
		P	LTR	DATE
		-		-
		DESCRIPTION		DWN
		SEE SHEET 1		APVD
				-



THIS DRAWING IS A CONTROLLED DOCUMENT.		DWN		PS MATERIAL		TE Connectivity		TRAY DESCRIPTION	
DIMENSIONS: 單位: 話 mm		TOLERANCES UNLESS OTHERWISE SPECIFIED: 一般公差		CHK		NAME 名稱		HDMI 19 POS RECEPTACLE ASSY SMT SHORT TYPE	
0 PLC ±		1 PLC ±		APVD		PRODUCT SPEC 製品規格		SIZE	
2 PLC ±		3 PLC ±		PRODUCT SPEC 製品規格		APPLICATION SPEC 取付適用規格		CAGE CODE	
4 PLC ±		ANGLES ±		WEIGHT		DRAWING NO 番号		RESTRICTED TO	
FINISH 仕上		CUSTOMER DRAWING		A3		00779		G=1903015	
SCALE 尺度		SHEET		REV		R		7 OF 12	

THIS DRAWING IS UNPUBLISHED.

RELEASED FOR PUBLICATION

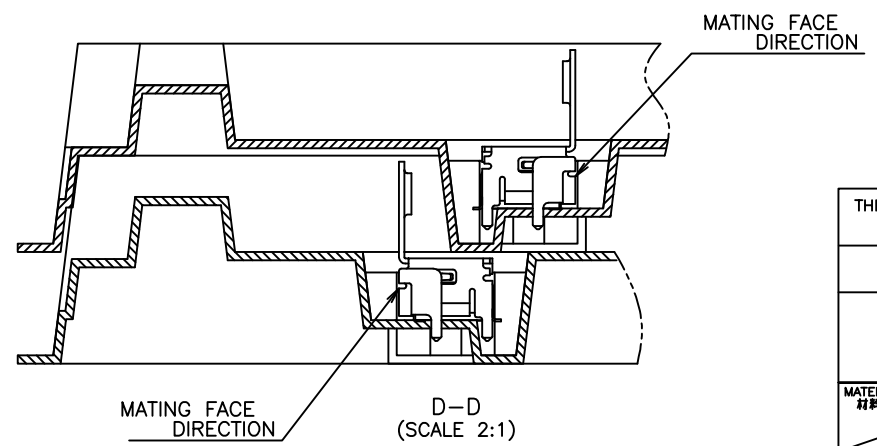
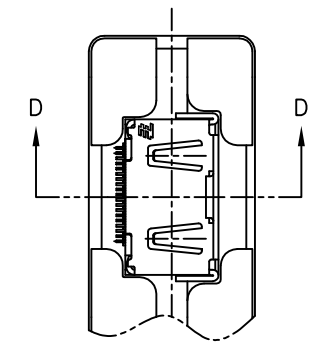
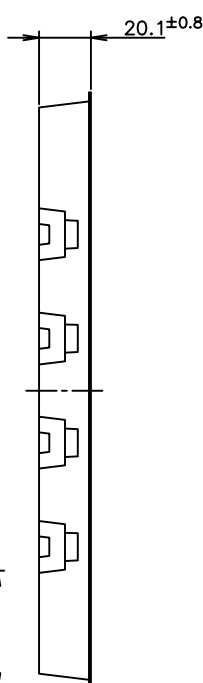
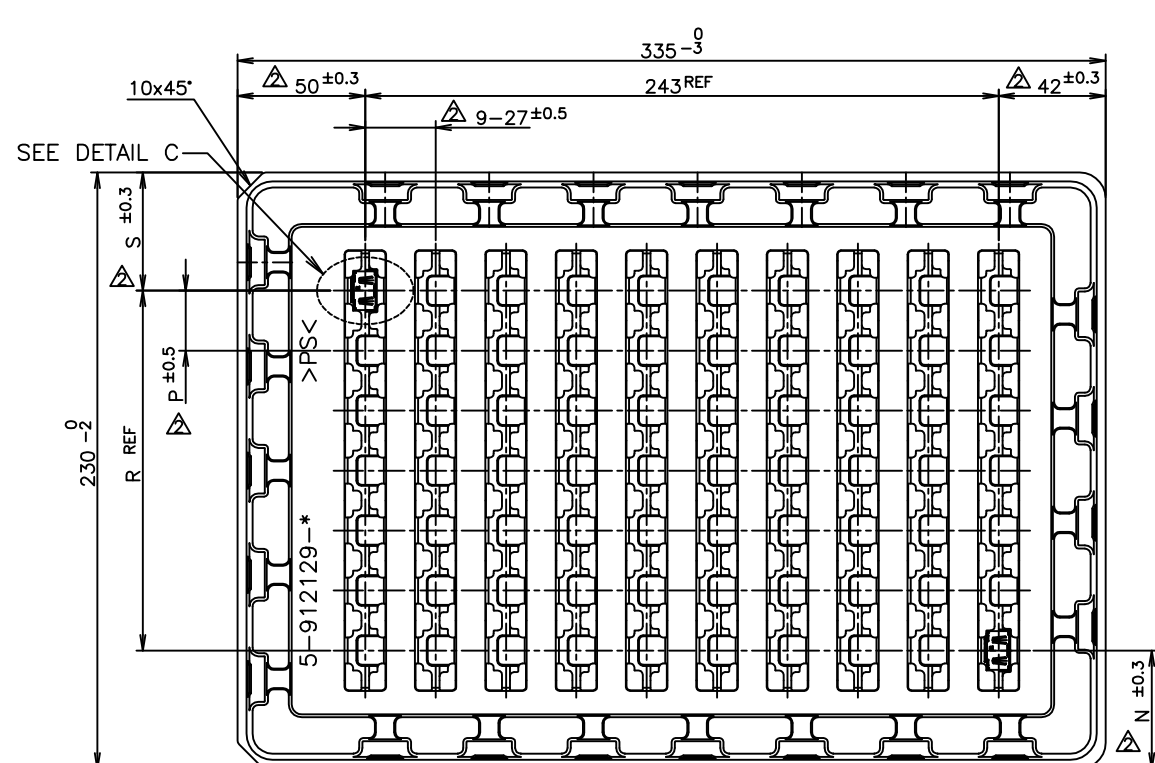
SEP, 2005.

© COPYRIGHT 2005 By -

ALL RIGHTS RESERVED.

1903015-4; AS SHOWN

LOC	DIST	REVISIONS					
		P	LTR	DESCRIPTION	DATE	DWN	APVD
		-		SEE SHEET 1	-	-	-



THIS DRAWING IS A CONTROLLED DOCUMENT.		DWN		TE Connectivity	
DIMENSIONS: 單位: 毫米 mm		TOLERANCES UNLESS OTHERWISE SPECIFIED: 一般公差		NAME 名稱	
<ul style="list-style-type: none"> <li>0 PLC ±</li> <li>1 PLC ±</li> <li>2 PLC ±</li> <li>3 PLC ±</li> <li>4 PLC ±</li> <li>ANGLES ±</li> </ul>		<ul style="list-style-type: none"> <li>CHK</li> <li>APVD</li> <li>PRODUCT SPEC 製品規格</li> <li>APPLICATION SPEC 取付適用規格</li> <li>WEIGHT</li> </ul>		HDMI 19 POS RECEPTACLE ASSY SMT SHORT TYPE	
MATERIAL 材料		FINISH 仕上		SIZE CAGE CODE DRAWING NO A3 00779 C=1903015	
CUSTOMER DRAWING		SCALE 尺度 4:1		SHEET 8 of 12	
				REV R	



THIS DRAWING IS UNPUBLISHED.

RELEASED FOR PUBLICATION

SEP, 2005.

© COPYRIGHT 2005 By -

ALL RIGHTS RESERVED.

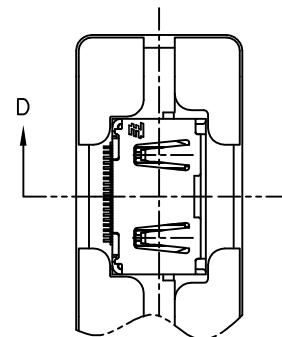
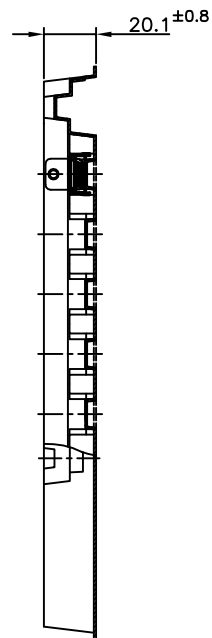
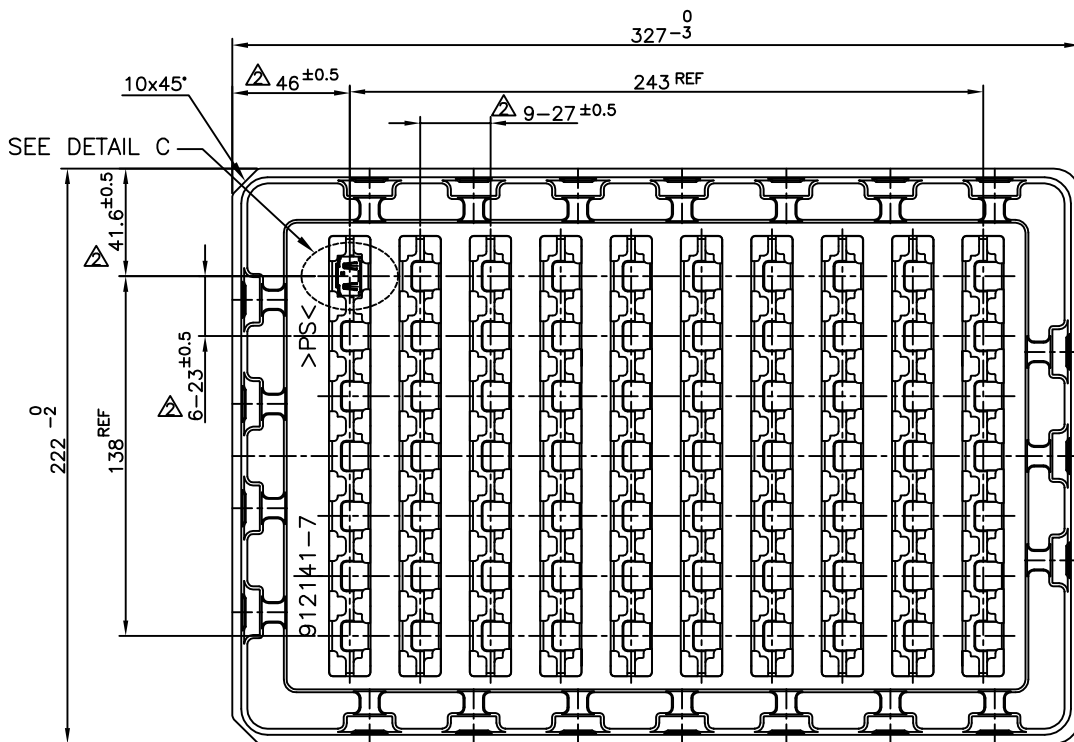
1903015-7, 1903015-8; AS SHOWN

LOC	DIST
-	-

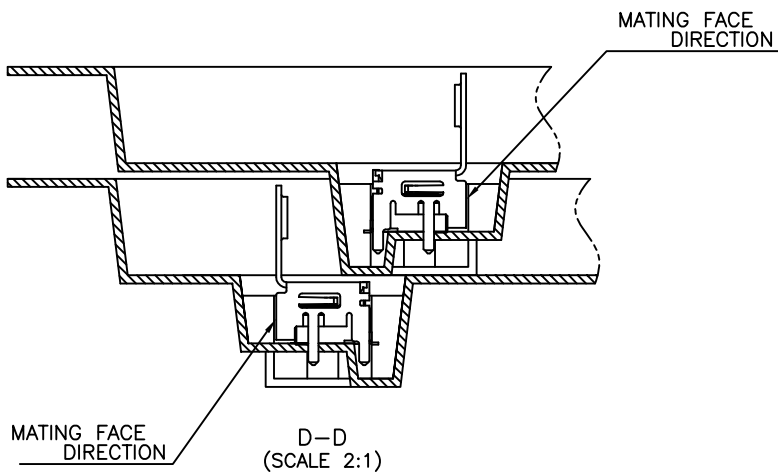
REVISIONS

変更

P	LTR	DESCRIPTION	DATE	DWN	APVD
-	-	SEE SHEET 1	-	-	-



DETAIL C (SCALE 2:1)



THIS DRAWING IS A CONTROLLED DOCUMENT.

DIMENSIONS:  
單位: 毫米  
mm



TOLERANCES UNLESS  
OTHERWISE SPECIFIED:  
一般公差

- 0 PLC ±
- 1 PLC ±
- 2 PLC ±
- 3 PLC ±
- 4 PLC ±
- ANGLES ±
- FINISH 仕上

MATERIAL  
材料

DWN

CHK

APVD

PRODUCT SPEC  
製品規格

APPLICATION SPEC  
取付適用規格

WEIGHT

CUSTOMER DRAWING



TE Connectivity

NAME  
名称

HDMI 19 POS RECEPTACLE ASSY  
SMT SHORT TYPE

SIZE

CAGE CODE

DRAWING NO  
番号

RESTRICTED TO

A3

00779

G=1903015

SCALE  
尺度 4:1

SHEET

9 of 12

REV

R

THIS DRAWING IS UNPUBLISHED.

RELEASED FOR PUBLICATION

SEP, 2005.

© COPYRIGHT 2005 By -

ALL RIGHTS RESERVED.

LOC	DIST
-	-

REVISIONS

変更

DESCRIPTION

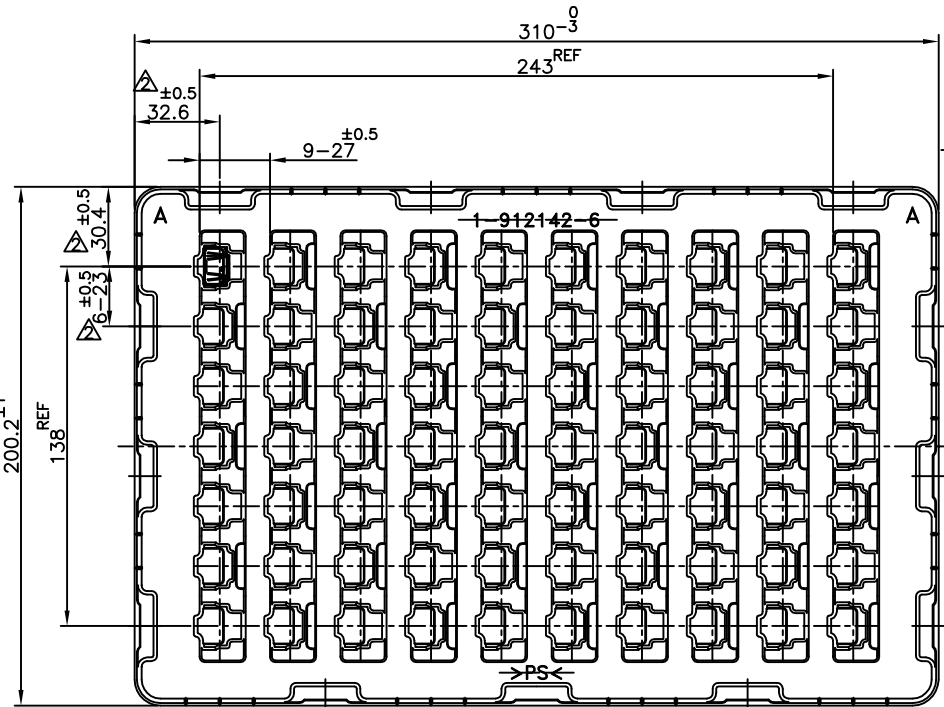
DATE

DWN

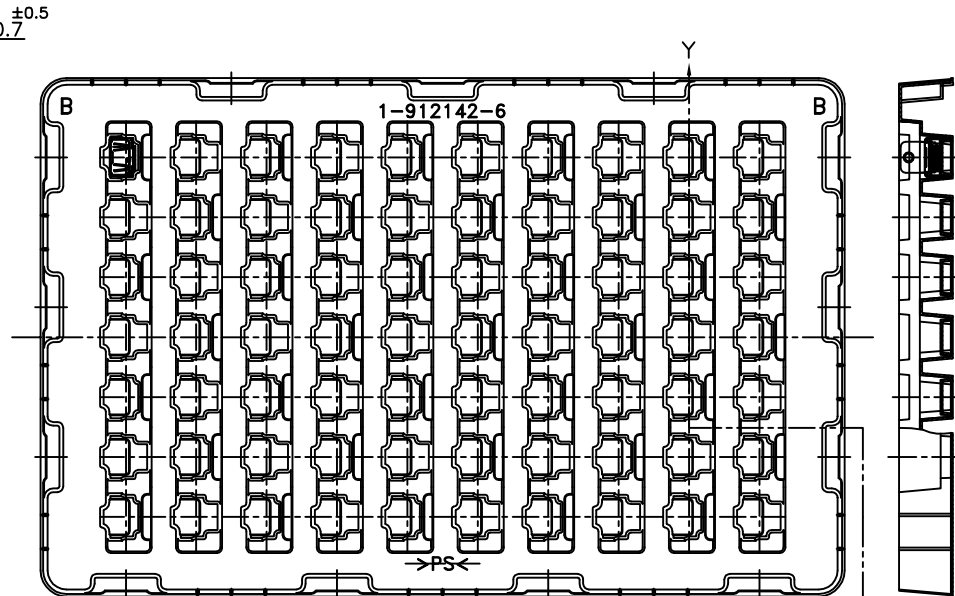
APVD

SEE SHEET 1

8-1903015-4; AS SHOWN

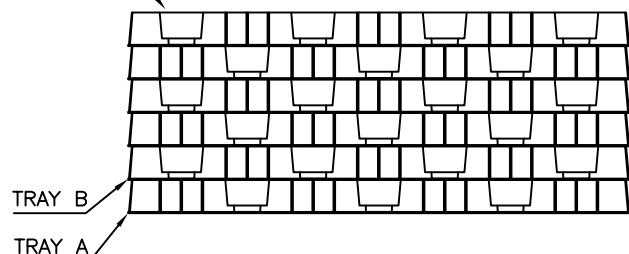


TRAY A

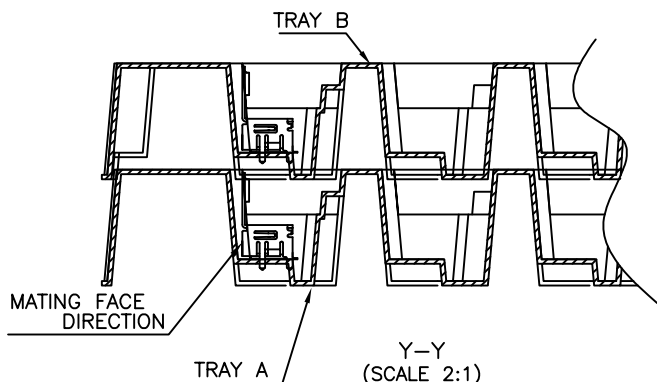


TRAY B

TRAY B (EMPTY)



TRAY B  
TRAY A



Y-Y  
(SCALE 2:1)

PS	TRAY
MATERIAL	DESCRIPTION

THIS DRAWING IS A CONTROLLED DOCUMENT.

DIMENSIONS: 單位: 毫米 mm	TOLERANCES UNLESS OTHERWISE SPECIFIED: 一般公差	DWN	TE Connectivity																											
<table border="1"> <tr><td>0 PLC</td><td>±</td></tr> <tr><td>1 PLC</td><td>±</td></tr> <tr><td>2 PLC</td><td>±</td></tr> <tr><td>3 PLC</td><td>±</td></tr> <tr><td>4 PLC</td><td>±</td></tr> <tr><td>4 PLC ANGLES</td><td>±</td></tr> </table>	0 PLC	±		1 PLC	±	2 PLC	±	3 PLC	±	4 PLC	±	4 PLC ANGLES	±	FINISH 仕上	<table border="1"> <tr><td>CHK</td></tr> <tr><td>APVD</td></tr> <tr><td>PRODUCT SPEC 製品規格</td></tr> <tr><td>APPLICATION SPEC 取付適用規格</td></tr> <tr><td>WEIGHT</td></tr> </table>	CHK	APVD	PRODUCT SPEC 製品規格	APPLICATION SPEC 取付適用規格	WEIGHT	<table border="1"> <tr><td>NAME 名稱</td></tr> <tr><td>HDMI 19 POS RECEPTACLE ASSY SMT SHORT TYPE</td></tr> <tr><td>SIZE</td></tr> <tr><td>A3</td></tr> <tr><td>CAGE CODE</td></tr> <tr><td>00779</td></tr> <tr><td>DRAWING NO 番号</td></tr> <tr><td>C=1903015</td></tr> <tr><td>RESTRICTED TO</td></tr> <tr><td></td></tr> </table>	NAME 名稱	HDMI 19 POS RECEPTACLE ASSY SMT SHORT TYPE	SIZE	A3	CAGE CODE	00779	DRAWING NO 番号	C=1903015	RESTRICTED TO
0 PLC	±																													
1 PLC	±																													
2 PLC	±																													
3 PLC	±																													
4 PLC	±																													
4 PLC ANGLES	±																													
CHK																														
APVD																														
PRODUCT SPEC 製品規格																														
APPLICATION SPEC 取付適用規格																														
WEIGHT																														
NAME 名稱																														
HDMI 19 POS RECEPTACLE ASSY SMT SHORT TYPE																														
SIZE																														
A3																														
CAGE CODE																														
00779																														
DRAWING NO 番号																														
C=1903015																														
RESTRICTED TO																														
MATERIAL 材料		CUSTOMER DRAWING	<table border="1"> <tr><td>SCALE 尺度</td></tr> <tr><td>4:1</td></tr> <tr><td>SHEET</td></tr> <tr><td>10 OF 12</td></tr> <tr><td>REV</td></tr> <tr><td>R</td></tr> </table>	SCALE 尺度	4:1	SHEET	10 OF 12	REV	R																					
SCALE 尺度																														
4:1																														
SHEET																														
10 OF 12																														
REV																														
R																														

4

3

2

1

THIS DRAWING IS UNPUBLISHED.

RELEASED FOR PUBLICATION

SEP ,2005.

© COPYRIGHT 2005 By -

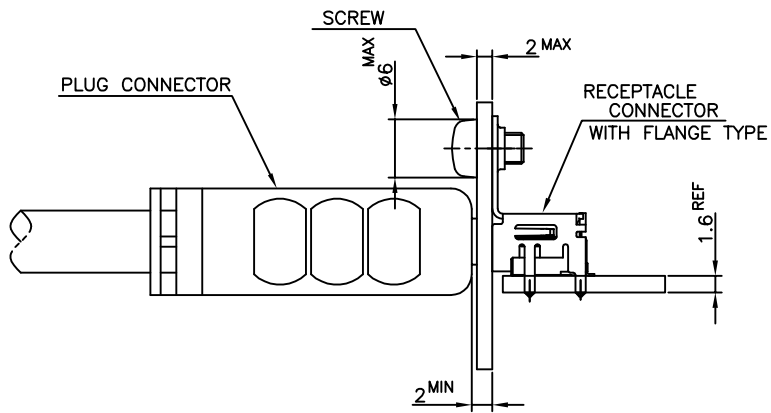
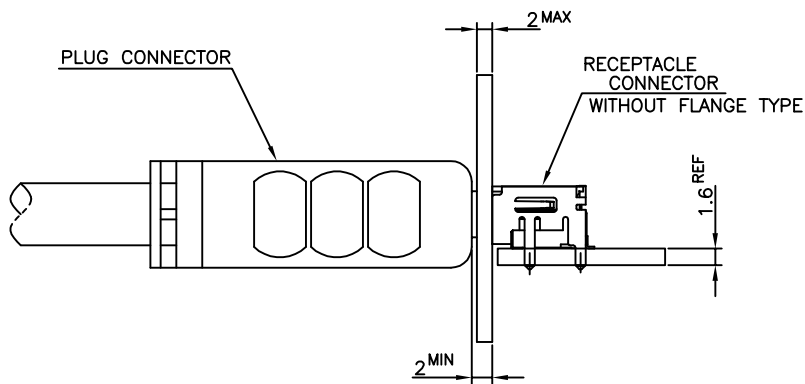
ALL RIGHTS RESERVED.

LOC	DIST
-	-

REVISIONS

変更

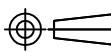
P	LTR	DESCRIPTION	DATE	DWN	APVD
-	-	SEE SHEET 1	-	-	-



MATING CONDITION (REFERENCE)  
(SCALE 2:1)

THIS DRAWING IS A CONTROLLED DOCUMENT.

DIMENSIONS:  
單位: 毫米  
mm



MATERIAL  
材料

TOLERANCES UNLESS OTHERWISE SPECIFIED:  
一般公差

- 0 PLC ±
- 1 PLC ±
- 2 PLC ±
- 3 PLC ±
- 4 PLC ±
- ANGLES ±

FINISH  
仕上

DWN
CHK
APVD
PRODUCT SPEC 製品規格
APPLICATION SPEC 取付適用規格
WEIGHT



TE Connectivity

NAME  
名称  
HDMI 19 POS RECEPTACLE ASSY  
SMT SHORT TYPE

SIZE A3	CAGE CODE 00779	DRAWING NO 番号 G=1903015	RESTRICTED TO
------------	--------------------	-------------------------------	---------------

CUSTOMER DRAWING

SCALE  
尺度 4:1

SHEET  
11 OF 12

REV  
R

THIS DRAWING IS PUBLISHED.

NOT BASED FOR PUBLICATION

SEP., 2005.

© COPYRIGHT 2005, By -

ALL RIGHTS RESERVED.

LOC DIST

REV. NO. DESCRIPTION

DATE DWN APVD

P	LTR	DESCRIPTION	DATE	DWN	APVD
-	-	SEE SHEET 1	-	-	-

P/N:6-1903015-3

D

D

C

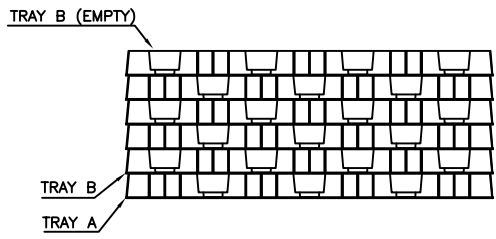
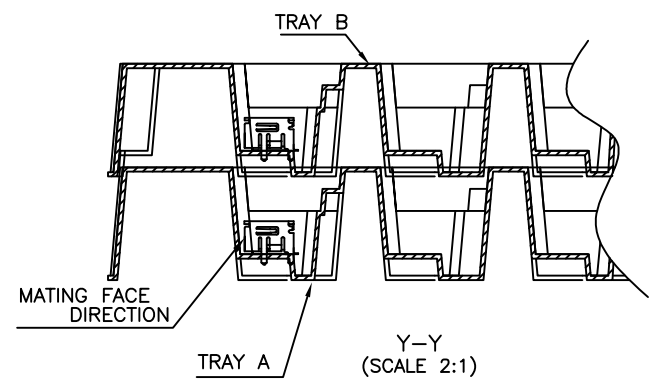
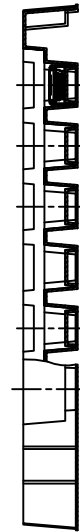
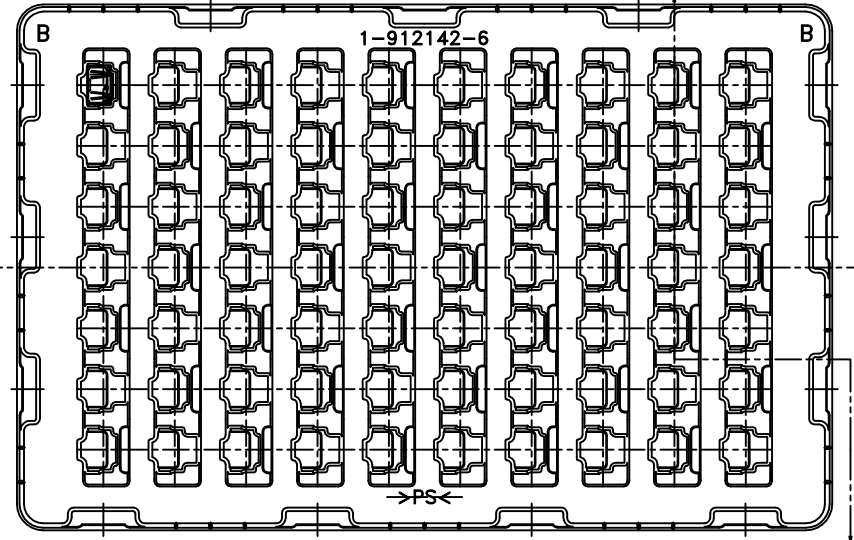
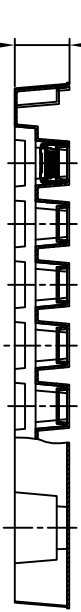
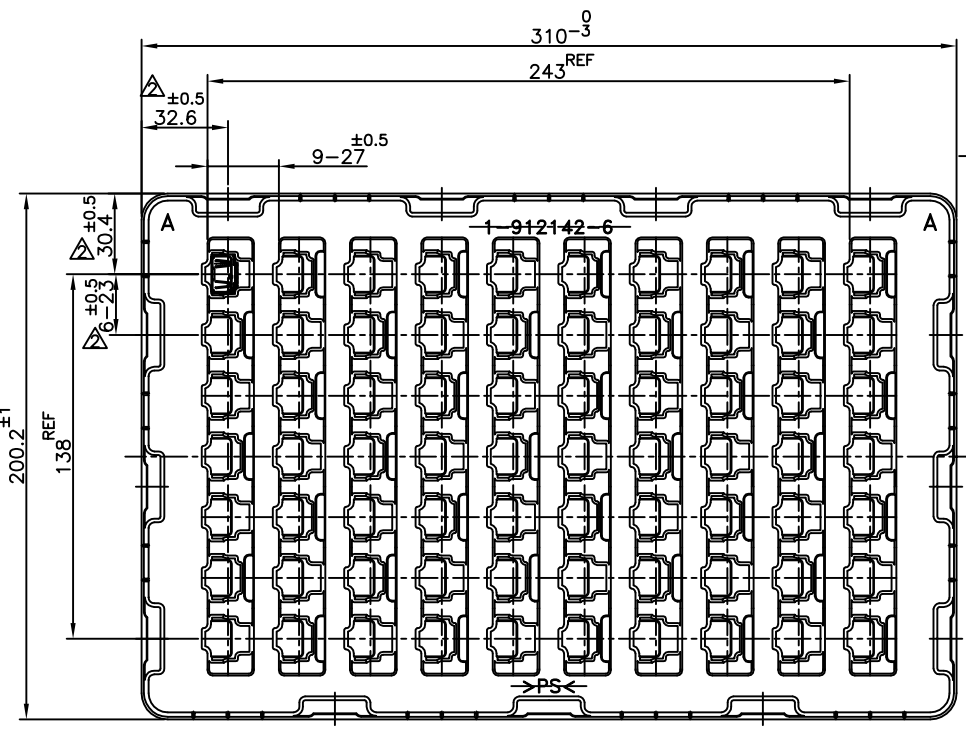
C

B

B

A

A



THIS DRAWING IS A CONTROLLED DOCUMENT.		DWN	TE Connectivity		
DIMENSIONS: 單位: 毫米 mm		CHK			
TOLERANCES UNLESS OTHERWISE SPECIFIED: 一般公差		APVD	NAME 名稱: HDMI 19 POS RECEPTACLE ASSY SMT SHORT TYPE		
0 PLC ± 1 PLC ± 2 PLC ± 3 PLC ± 4 PLC ANGLE ±		PRODUCT SPEC 製品規格	SIZE: A3		
MATERIAL 材料		APPLICATION SPEC 取付適用規格	CAGE CODE: 00779	DRAWING NO. 番号: C-1903015	RESTRICTED TO: -
FINISH 仕上		WEIGHT	SCALE 尺度: 4:1		
CUSTOMER DRAWING			SHEET 12 OF 12	REV R	



Компания «ЭлектроПласт» предлагает заключение долгосрочных отношений при поставках импортных электронных компонентов на взаимовыгодных условиях!

Наши преимущества:

- Оперативные поставки широкого спектра электронных компонентов отечественного и импортного производства напрямую от производителей и с крупнейших мировых складов;
- Поставка более 17-ти миллионов наименований электронных компонентов;
- Поставка сложных, дефицитных, либо снятых с производства позиций;
- Оперативные сроки поставки под заказ (от 5 рабочих дней);
- Экспресс доставка в любую точку России;
- Техническая поддержка проекта, помощь в подборе аналогов, поставка прототипов;
- Система менеджмента качества сертифицирована по Международному стандарту ISO 9001;
- Лицензия ФСБ на осуществление работ с использованием сведений, составляющих государственную тайну;
- Поставка специализированных компонентов (Xilinx, Altera, Analog Devices, Intersil, Interpoint, Microsemi, Aeroflex, Peregrine, Syfer, Eurofarad, Texas Instrument, Miteq, Cobham, E2V, MA-COM, Hittite, Mini-Circuits, General Dynamics и др.);

Помимо этого, одним из направлений компании «ЭлектроПласт» является направление «Источники питания». Мы предлагаем Вам помощь Конструкторского отдела:

- Подбор оптимального решения, техническое обоснование при выборе компонента;
- Подбор аналогов;
- Консультации по применению компонента;
- Поставка образцов и прототипов;
- Техническая поддержка проекта;
- Защита от снятия компонента с производства.



#### Как с нами связаться

**Телефон:** 8 (812) 309 58 32 (многоканальный)

**Факс:** 8 (812) 320-02-42

**Электронная почта:** [org@eplast1.ru](mailto:org@eplast1.ru)

**Адрес:** 198099, г. Санкт-Петербург, ул. Калинина, дом 2, корпус 4, литера А.