
4-Port SS/HS USB Controller Hub

Highlights

- USB Hub Feature Controller IC with 4 USB 3.1 Gen 1 / USB 2.0 downstream ports
- USB-IF Battery Charger revision 1.2 support on up & downstream ports (DCP, CDP, SDP)
- USB Link Power Management (LPM) support
- Enhanced OEM configuration options available through either OTP or SPI ROM
- USB-IF certified (TID 330000076), supporting latest Engineering Change Notices for compliance with USB-IF logo testing for new USB Type-C™ industry initiative
 - Header Packet Timer (TD7.9, TD7.11, TD7.26)
 - Power Management Timer (TD7.18, TD7.20, TD7.23)
 - Unacknowledged Connect and Remote Wake Test Failure (TD10.25)
- Available in 56-pin (7 x 7 mm) VQFN lead-free, RoHS compliant package
- Commercial and industrial grade temperature support
- Configuration Straps: Predefined configuration of system level functions

Target Applications

- Standalone USB Hubs
- Laptop Docks
- PC Motherboards
- PC Monitor Docks
- Multi-function USB 3.1 Gen 1 Peripherals

Key Benefits

- USB 3.1 Gen 1 compliant 5 Gbps, 480 Mbps, 12 Mbps and 1.5 Mbps operation
 - 5 V tolerant USB 2.0 pins
 - 1.32 V tolerant USB 3.1 Gen 1 pins
 - Integrated termination & pull-up/pull-down resistors
- Supports per port battery charging of most popular battery powered devices
 - USB-IF Battery Charging rev. 1.2 support (DCP, CDP, SDP)
 - Apple® portable product charger emulation
 - Chinese YD/T 1591-2006 charger emulation
 - Chinese YD/T 1591-2009 charger emulation
 - European Union universal mobile charger support
 - Support for Microchip USC100x family of battery charging controllers
 - Supports additional portable devices
- Smart port controller operation
 - Firmware handling of companion port controllers
- On-chip microcontroller
 - Manages I/Os, VBUS, and other signals
- 8 KB RAM, 64 KB ROM
- 8 KB One Time Programmable (OTP) ROM
 - Includes on-chip charge pump
- Configuration programming via OTP ROM, SPI ROM, or SMBus
- **PortSwap**
 - Configurable differential intro-pair signal swapping
- **PHYBoost™**
 - Programmable USB transceiver drive strength for recovering signal integrity
- **VariSense™**
 - Programmable USB receiver sensitivity
- Compatible with Microsoft Windows 8, 7, XP, Apple OS X 10.4+, and Linux hub drivers
- Optimized for low-power operation and low thermal dissipation
- Package
 - 56-pin VQFN (7 x 7 mm)
- Environmental
 - 3 kV HBM JESD22-A114F ESD protection
 - Commercial temperature range (0°C to +70°C)
 - Industrial temperature range (-40°C to +85°C)

* USB Type-C™ and USB-C™ are trademarks of USB Implementation Forum.

TO OUR VALUED CUSTOMERS

It is our intention to provide our valued customers with the best documentation possible to ensure successful use of your Microchip products. To this end, we will continue to improve our publications to better suit your needs. Our publications will be refined and enhanced as new volumes and updates are introduced.

If you have any questions or comments regarding this publication, please contact the Marketing Communications Department via E-mail at docerrors@microchip.com. We welcome your feedback.

Most Current Documentation

To obtain the most up-to-date version of this documentation, please register at our Worldwide Web site at:

<http://www.microchip.com>

You can determine the version of a data sheet by examining its literature number found on the bottom outside corner of any page. The last character of the literature number is the version number, (e.g., DS30000000A is version A of document DS30000000).

Errata

An errata sheet, describing minor operational differences from the data sheet and recommended workarounds, may exist for current devices. As device/documentation issues become known to us, we will publish an errata sheet. The errata will specify the revision of silicon and revision of document to which it applies.

To determine if an errata sheet exists for a particular device, please check with one of the following:

- Microchip's Worldwide Web site; <http://www.microchip.com>
- Your local Microchip sales office (see last page)

When contacting a sales office, please specify which device, revision of silicon and data sheet (include -literature number) you are using.

Customer Notification System

Register on our web site at www.microchip.com to receive the most current information on all of our products.

Table of Contents

- 1.0 Preface 4
- 2.0 Introduction 6
- 3.0 Pin Description and Configuration 8
- 4.0 Device Connections 17
- 5.0 Modes of Operation 19
- 6.0 Device Configuration 22
- 7.0 Device Interfaces 23
- 8.0 Functional Descriptions 24
- 9.0 Compliance Update 30
- 10.0 Operational Characteristics 31
- 11.0 Package Information 40

USB5744

1.0 PREFACE

1.1 General Terms

TABLE 1-1: GENERAL TERMS

Term	Description
ADC	Analog-to-Digital Converter
Byte	8 bits
CDC	Communication Device Class
CSR	Control and Status Registers
DWORD	32 bits
EOP	End of Packet
EP	Endpoint
FIFO	First In First Out buffer
FS	Full-Speed
FSM	Finite State Machine
GPIO	General Purpose I/O
HS	Hi-Speed
HSOS	High Speed Over Sampling
Hub Feature Controller	The Hub Feature Controller, sometimes called a Hub Controller for short is the internal processor used to enable the unique features of the USB Controller Hub. This is not to be confused with the USB Hub Controller that is used to communicate the hub status back to the Host during a USB session.
I ² C	Inter-Integrated Circuit
LS	Low-Speed
lsb	Least Significant Bit
LSB	Least Significant Byte
msb	Most Significant Bit
MSB	Most Significant Byte
N/A	Not Applicable
NC	No Connect
OTP	One Time Programmable
PCB	Printed Circuit Board
PCS	Physical Coding Sublayer
PHY	Physical Layer
PLL	Phase Lock Loop
RESERVED	Refers to a reserved bit field or address. Unless otherwise noted, reserved bits must always be zero for write operations. Unless otherwise noted, values are not guaranteed when reading reserved bits. Unless otherwise noted, do not read or write to reserved addresses.
SDK	Software Development Kit
SMBus	System Management Bus
UUID	Universally Unique Identifier
WORD	16 bits

1.2 Reference Documents

1. *UNICODE UTF-16LE For String Descriptors* USB Engineering Change Notice, December 29th, 2004, <http://www.usb.org>
2. *Universal Serial Bus Revision 3.2 Specification*, <http://www.usb.org/developers/docs/>
3. *Battery Charging Specification*, Revision 1.2, Dec. 07, 2010, <http://www.usb.org>
4. *I²C-Bus Specification*, Version 1.1, <http://www.nxp.com>
5. *System Management Bus Specification*, Version 1.0, <http://smbus.org/specs>

USB5744

2.0 INTRODUCTION

2.1 General Description

The Microchip USB5744 hub is low-power, OEM configurable, USB 3.1 Gen 1 hub feature controller with 4 downstream ports and advanced features for embedded USB applications. The USB5744 is fully compliant with the *Universal Serial Bus Revision 3.1 Specification* and *USB 2.0 Link Power Management Addendum*. The USB5744 supports 5 Gbps SuperSpeed (SS), 480 Mbps Hi-Speed (HS), 12 Mbps Full-Speed (FS), and 1.5 Mbps Low-Speed (LS) USB downstream devices on all enabled downstream ports.

The USB5744 supports the legacy USB speeds (HS/FS/LS) through a dedicated USB 2.0 hub feature controller that is the culmination of five generations of Microchip hub feature controller design and experience with proven reliability, interoperability, and device compatibility. The SuperSpeed hub feature controller operates in parallel with the USB 2.0 controller, decoupling the 5 Gbps SS data transfers from bottlenecks due to the slower USB 2.0 traffic.

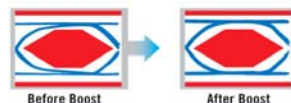
The USB5744 supports downstream battery charging. The USB5744 integrated battery charger detection circuitry supports the USB-IF Battery Charging (BC1.2) detection method and most Apple devices. The USB5744 provides the battery charging handshake and supports the following USB-IF BC1.2 charging profiles:

- DCP: Dedicated Charging Port (Power brick with no data)
- CDP: Charging Downstream Port (1.5A with data)
- SDP: Standard Downstream Port (0.5A with data)
- Custom profiles loaded via SMBus or OTP

Additionally, the USB5744 includes many powerful and unique features such as:

PortSwap, which adds per-port programmability to USB differential-pair pin locations. PortSwap allows direct alignment of USB signals (D+/D-) to connectors to avoid uneven trace length or crossing of the USB differential signals on the PCB.

PHYBoost, which provides programmable levels of Hi-Speed USB signal drive strength in the downstream port transceivers. PHYBoost attempts to restore USB signal integrity in a compromised system environment. The graphic on the right shows an example of Hi-Speed USB eye diagrams before and after PHYBoost signal integrity restoration. in a compromised system environment

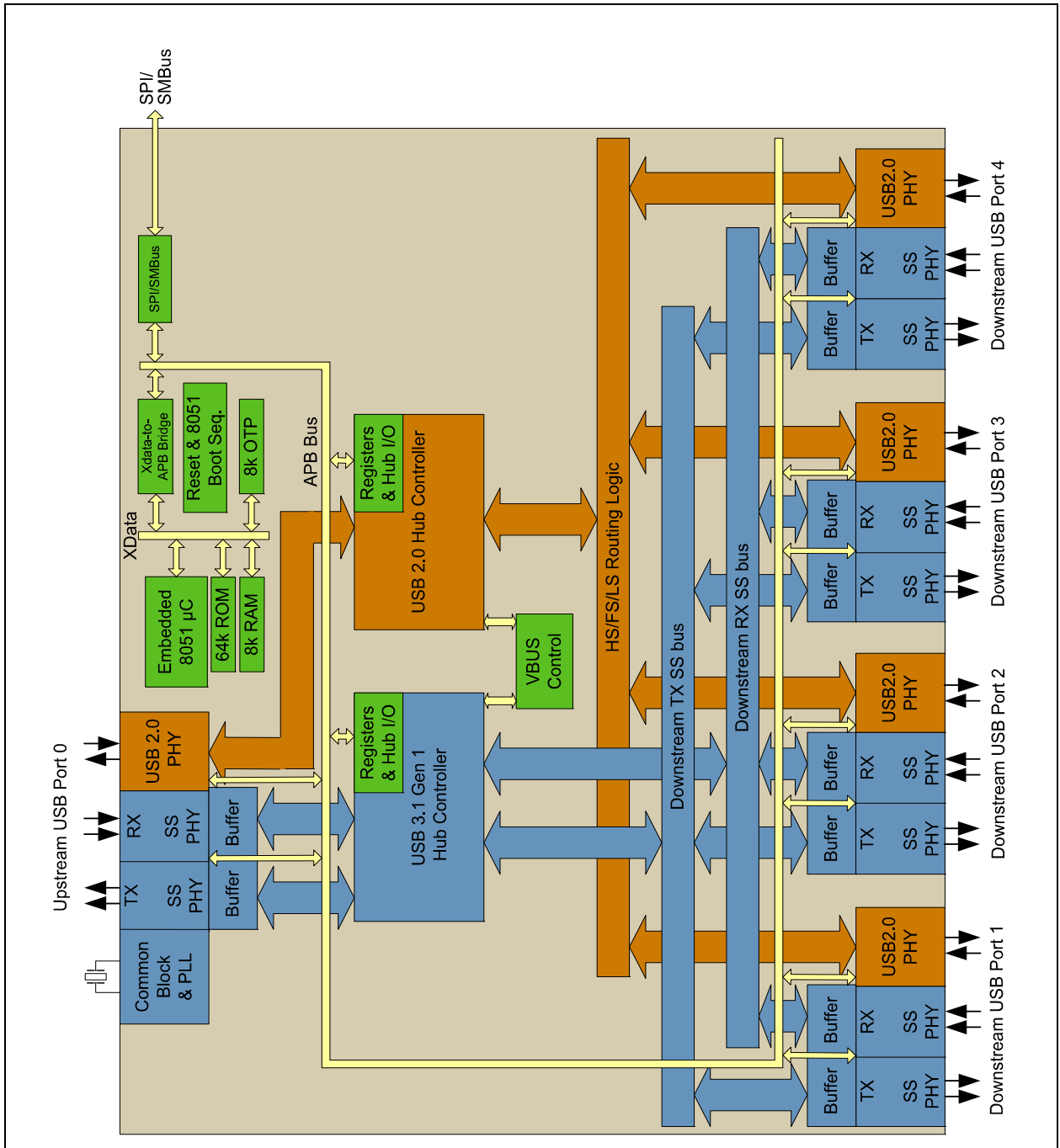


VariSense, which controls the USB receiver sensitivity enabling programmable levels of USB signal receive sensitivity. This capability allows operation in a sub-optimal system environment, such as when a captive USB cable is used.

The USB5744 can be configured for operation through internal default settings. Custom OEM configurations are supported through external SPI ROM or OTP ROM. All port control signal pins are under firmware control in order to allow for maximum operational flexibility, and are available as GPIOs for customer specific use.

The USB5744 is available in commercial (0°C to +70°C) and industrial (-40°C to +85°C) temperature ranges. An internal block diagram of the USB5744 is shown in [Figure 2-1](#).

FIGURE 2-1: INTERNAL BLOCK DIAGRAM

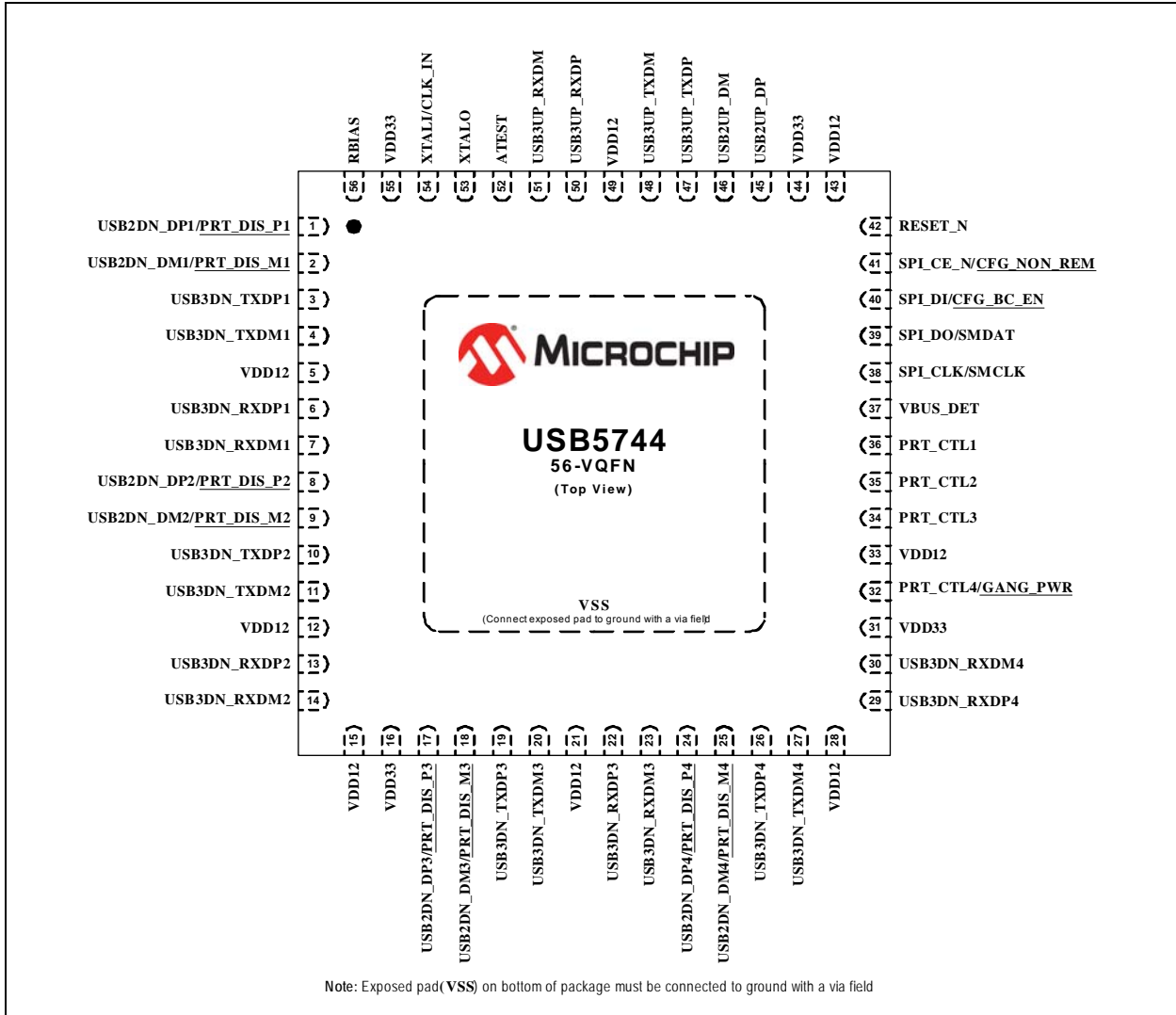


USB5744

3.0 PIN DESCRIPTION AND CONFIGURATION

3.1 Pin Assignments

FIGURE 3-1: 56-VQFN PIN ASSIGNMENTS



Note 1: Configuration straps are identified by an underlined symbol name. Signals that function as configurations traps must be augmented with an external resistor when connected to a load. Refer to [Section 3.4, "Configuration Straps and Programmable Functions"](#) for additional information.

Table 3-1 details the package pin assignments in table format.

TABLE 3-1: 56-VQFN PIN ASSIGNMENTS

Pin Number	Pin Name	Pin Number	Pin Name
1	USB2DN_DP1/ <u>PRT_DIS P1</u>	29	USB3DN_RXDP4
2	USB2DN_DM1/ <u>PRT_DIS M1</u>	30	USB3DN_RXDM4
3	USB3DN_TXDP1	31	VDD33
4	USB3DN_TXDM1	32	<u>PRT_CTL4/GANG_PWR</u>
5	VDD12	33	VDD12
6	USB3DN_RXDP1	34	PRT_CTL3
7	USB3DN_RXDM1	35	PRT_CTL2
8	USB2DN_DP2/ <u>PRT_DIS P2</u>	36	PRT_CTL1
9	USB2DN_DM2/ <u>PRT_DIS M2</u>	37	VBUS_DET
10	USB3DN_TXDP2	38	SPI_CLK/SMCLK
11	USB3DN_TXDM2	39	SPI_DO/SMDAT
12	VDD12	40	<u>SPI_DI/CFG_BC_EN</u>
13	USB3DN_RXDP2	41	<u>SPI_CE_N/CFG_NON_REM</u>
14	USB3DN_RXDM2	42	RESET_N
15	VDD12	43	VDD12
16	VDD33	44	VDD33
17	USB2DN_DP3/ <u>PRT_DIS P3</u>	45	USB2UP_DP
18	USB2DN_DM3/ <u>PRT_DIS M3</u>	46	USB2UP_DM
19	USB3DN_TXDP3	47	USB3UP_TXDP
20	USB3DN_TXDM3	48	USB3UP_TXDM
21	VDD12	49	VDD12
22	USB3DN_RXDP3	50	USB3UP_RXDP
23	USB3DN_RXDM3	51	USB3UP_RXDM
24	USB2DN_DP4/ <u>PRT_DIS P4</u>	52	ATEST
25	USB2DN_DM4/ <u>PRT_DIS M4</u>	53	XTALO
26	USB3DN_TXDP4	54	XTALI/CLK_IN
27	USB3DN_TXDM4	55	VDD33
28	VDD12	56	RBIAS

USB5744

3.2 Pin Descriptions

This section contains descriptions of the various USB5744 pins. This pin descriptions have been broken into functional groups as follows:

- [USB 3.1 Gen 1 Pin Descriptions](#)
- [USB 2.0 Pin Descriptions](#)
- [USB Port Control Pin Descriptions](#)
- [SPI/SMBus Pin Descriptions](#)
- [Miscellaneous Pin Descriptions](#)
- [Power and Ground Pin Descriptions](#)

The “_N” symbol in the signal name indicates that the active, or asserted, state occurs when the signal is at a low voltage level. For example, **RESET_N** indicates that the reset signal is active low. When “_N” is not present after the signal name, the signal is asserted when at the high voltage level.

The terms assertion and negation are used exclusively. This is done to avoid confusion when working with a mixture of “active low” and “Active high” signals. The term assert, or assertion, indicates that a signal is active, independent of whether that level is represented by a high or low voltage. The term negate, or negation, indicates that a signal is inactive.

Note: The buffer type for each signal is indicated in the “Buffer Type” column of the pin description tables. A description of the buffer types is provided in [Section 3.3, “Buffer Types,” on page 14](#). For additional information on configuration straps and configurable pins, refer to [Section 3.4, “Configuration Straps and Programmable Functions”](#).

TABLE 3-2: USB 3.1 GEN 1 PIN DESCRIPTIONS

Num Pins	Symbol	Buffer Type	Description
1	USB3UP_TXDP	IO-U	USB 3.1 Gen 1 upstream SuperSpeed transmit data plus.
1	USB3UP_TXDM	IO-U	USB 3.1 Gen 1 upstream SuperSpeed transmit data minus.
1	USB3UP_RXDP	IO-U	USB 3.1 Gen 1 upstream SuperSpeed receive data plus.
1	USB3UP_RXDM	IO-U	USB 3.1 Gen 1 upstream SuperSpeed receive data minus.
4	USBDN_TXDP[4:1]	IO-U	USB 3.1 Gen 1 downstream ports 4-1 SuperSpeed transmit data plus.
4	USBDN_TXDM[4:1]	IO-U	USB 3.1 Gen 1 downstream ports 4-1 SuperSpeed transmit data minus.
4	USBDN_RXDP[4:1]	IO-U	USB 3.1 Gen 1 downstream ports 4-1 SuperSpeed receive data plus.
4	USBDN_RXDM[4:1]	IO-U	USB 3.1 Gen 1 downstream ports 4-1 SuperSpeed receive data minus.

TABLE 3-3: USB 2.0 PIN DESCRIPTIONS

Num Pins	Symbol	Buffer Type	Description
1	USB2UP_DP	IO-U	USB 2.0 upstream data plus (D+).
1	USB2UP_DM	IO-U	USB 2.0 upstream data minus (D-).

TABLE 3-3: USB 2.0 PIN DESCRIPTIONS (CONTINUED)

Num Pins	Symbol	Buffer Type	Description
4	USB2DN_DP[4:1]	IO-U	USB 2.0 downstream ports 4-1 data plus (D+).
	<u>PRT_DIS_P[4:1]</u>	I	Port 4-1 D+ Disable Configuration Strap. These configuration straps are used in conjunction with the corresponding <u>PRT_DIS_M[4:1]</u> straps to disable the related port (4-1). Refer to Section 3.4.2, "Port Disable Configuration (PRT_DIS_P[4:1] / PRT_DIS_M[4:1])" for more information. See Note 2 .
4	USB2DN_DM[4:1]	IO-U	USB 2.0 downstream ports 4-1 data minus (D-).
	<u>PRT_DIS_M[4:1]</u>	I	Port 4-1 D- Disable Configuration Strap. These configuration straps are used in conjunction with the corresponding <u>PRT_DIS_P[4:1]</u> straps to disable the related port (4-1). Refer to Section 3.4.2, "Port Disable Configuration (PRT_DIS_P[4:1] / PRT_DIS_M[4:1])" for more information. See Note 2 .
1	VBUS_DET	IS	This signal detects the state of the upstream bus power. When designing a detachable hub, this pin must be connected to the VBUS power pin of the upstream USB port through a resistor divider (50 kΩ by 100 kΩ) to provide 3.3 V. For self-powered applications with a permanently attached host, this pin must be connected to either 3.3 V or 5.0 V through a resistor divider to provide 3.3 V. In embedded applications, VBUS_DET may be controlled (toggled) when the host desires to renegotiate a connection without requiring a full reset of the device.
	GPIO16	I/O6	General purpose input/output 16.

Note 2: Configuration strap values are latched on Power-On Reset (POR) and the rising edge of **RESET_N** (external chip reset). Configuration straps are identified by an underlined symbol name. Signals that function as configurations traps must be augmented with an external resistor when connected to a load. Refer to [Section 3.4, "Configuration Straps and Programmable Functions"](#) for additional information.

TABLE 3-4: USB PORT CONTROL PIN DESCRIPTIONS

Num Pins	Symbol	Buffer Type	Description
1	PRT_CTL1	I (PU)	Port 1 Power Enable / Overcurrent Sense. As an output, this signal is an active high control signal used to enable power to the downstream port 1. As an input, this signal indicates an overcurrent condition from an external current monitor on USB port 1.
1	PRT_CTL2	I (PU)	Port 2 Power Enable / Overcurrent Sense. As an output, this signal is an active high control signal used to enable power to the downstream port 2. As an input, this signal indicates an overcurrent condition from an external current monitor on USB port 2.

USB5744

TABLE 3-4: USB PORT CONTROL PIN DESCRIPTIONS (CONTINUED)

Num Pins	Symbol	Buffer Type	Description
1	PRT_CTL3	I (PU)	Port 3 Power Enable / Overcurrent Sense. As an output, this signal is an active high control signal used to enable power to the downstream port 3. As an input, this signal indicates an overcurrent condition from an external current monitor on USB port 3.
1	PRT_CTL4	I (PU)	Port 4 Power Enable / Overcurrent Sense. As an output, this signal is an active high control signal used to enable power to the downstream port 4. As an input, this signal indicates an overcurrent condition from an external current monitor on USB port 4.
	<u>GANG_PWR</u>	I (PU)	When pulled high enables gang mode. Gang power pin when used in gang mode.

TABLE 3-5: SPI/SMBUS PIN DESCRIPTIONS

Num Pins	Symbol	Buffer Type	Description
1	SPI_CE_N	O12	Active low SPI chip enable output.
	GPIO7	I/O12	General purpose input/output 7.
	<u>CFG_NON_REM</u>	I	Non-Removable Port Configuration Strap. This configuration strap is used to configure the number of non-removable ports. Refer to Section 3.4.3, "Non-Removable Port Configuration (CFG_NON_REM)" for more information. See Note 3 .
1	SPI_CLK	O6	SPI clock output to the serial ROM, when configured for SPI operation.
	SMCLK	OD12	SMBus clock pin, when configured for SMBus slave operation.
	GPIO4	I/O6	General purpose input/output 4.
1	SPI_DO	O6	SPI data output, when configured for SPI operation.
	SMDAT	I/O12	SMBus data pin, when configured for SMBus slave operation.
	GPIO5	I/O6	General purpose input/output 5.
1	SPI_DI	IS	SPI data input, when configured for SPI operation.
	GPIO9	I/O12	General purpose input/output 9.
	<u>CFG_BC_EN</u>	I	Battery Charging Configuration Strap. This configuration strap is used to enable battery charging. Refer to Section 3.4.4, "Battery Charging Configuration (CFG_BC_EN)" for more information. See Note 3 .

Note 3: Configuration strap values are latched on Power-On Reset (POR) and the rising edge of **RESET_N** (external chip reset). Configuration straps are identified by an underlined symbol name. Signals that function as configurations traps must be augmented with an external resistor when connected to a load. Refer to [Section 3.4, "Configuration Straps and Programmable Functions"](#) for additional information.

TABLE 3-6: MISCELLANEOUS PIN DESCRIPTIONS

Num Pins	Symbol	Buffer Type	Description
1	RESET_N	IS	The RESET_N pin puts the device into Reset Mode, as the name of the pin and function then align.
1	XTALI	ICLK	External 25 MHz crystal input
	CLK_IN	ICLK	External reference clock input. The device may alternatively be driven by a single-ended clock oscillator. When this method is used, XTALO should be left unconnected.
1	XTALO	OCLK	External 25 MHz crystal output
1	RBIAS	AI	A 12.0 k Ω (+/- 1%) resistor is attached from ground to this pin to set the transceiver's internal bias settings.
1	ATEST	AI	Analog test pin.
			This signal is used for test purposes and must always be connected to ground.

TABLE 3-7: POWER AND GROUND PIN DESCRIPTIONS

Num Pins	Symbol	Buffer Type	Description
4	VDD33	P	+3.3 V power and internal regulator input Refer to Section 4.1, "Power Connections" for power connection information.
8	VDD12	P	+1.2 V core power Refer to Section 4.1, "Power Connections" for power connection information.
Pad	VSS	P	Common ground. This exposed pad must be connected to the ground plane with a via array.

USB5744

3.3 Buffer Types

TABLE 3-8: BUFFER TYPES

Buffer Type	Description
I	Input
IS	Schmitt-triggered input
O6	Output with 6 mA sink and 6 mA source
O12	Output with 12 mA sink and 12 mA source
OD12	Open-drain output with 12 mA sink
PU	50 μ A (typical) internal pull-up. Unless otherwise noted in the pin description, internal pull-ups are always enabled. Internal pull-up resistors prevent unconnected inputs from floating. Do not rely on internal resistors to drive signals external to the device. When connected to a load that must be pulled high, an external resistor must be added.
PD	50 μ A (typical) internal pull-down. Unless otherwise noted in the pin description, internal pull-downs are always enabled. Internal pull-down resistors prevent unconnected inputs from floating. Do not rely on internal resistors to drive signals external to the device. When connected to a load that must be pulled low, an external resistor must be added.
IO-U	Analog input/output as defined in USB specification
AI	Analog input
ICLK	Crystal oscillator input pin
OCLK	Crystal oscillator output pin
P	Power pin

Note: Refer to [Section 10.5, "DC Specifications"](#) for individual buffer DC electrical characteristics.

3.4 Configuration Straps and Programmable Functions

Configuration straps are multi-function pins that are used during Power-On Reset (POR) or external chip reset (**RESET_N**) to determine the default configuration of a particular feature. The state of the signal is latched following de-assertion of the reset. Configuration straps are identified by an underlined symbol name. This section details the various device configuration straps and associated programmable pin functions.

Note: The system designer must guarantee that configuration straps meet the timing requirements specified in [Section 10.6.2, "Power-On and Configuration Strap Timing," on page 35](#) and [Section 10.6.3, "Reset and Configuration Strap Timing," on page 36](#). If configuration straps are not at the correct voltage level prior to being latched, the device may capture incorrect strap values.

3.4.1 SPI/SMBUS CONFIGURATION

The SPI/SMBus pins can be configured into one of two functional modes:

- SPI Mode
- SMBus Slave Mode

If 10 k Ω pull-up resistors are detected on **SPI_DO** and **SPI_CLK**, the SPI/SMBus pins are configured into SMBus Slave Mode. If no pull-ups or pull-downs are detected on **SPI_DO** and **SPI_CLK**, the SPI/SMBus pins are first configured into SPI Mode. The strap settings for these supported modes are detailed in [Table 3-9](#). The individual pin function assignments for each mode are detailed in [Table 3-10](#). For additional device connection information, refer to [Section 4.0, "Device Connections"](#).

TABLE 3-9: SPI/SMBUS MODE CONFIGURATION SETTINGS

Pin	SPI Mode (Note 4)	SMBus Slave Mode
39 (SPI_DO)	No pull-up/down	10 k Ω pull-up
38 (SPI_CLK)	No pull-up/down	10 k Ω pull-up

Note 4: In order to use the SPI interface, an SPI ROM containing a valid signature of $2DFU$ (device firmware upgrade) beginning at address 0xFFFA must be present. Refer to [Section 7.1, "SPI Master Interface"](#) for additional information.

TABLE 3-10: SPI/SMBUS MODE PIN ASSIGNMENTS

Pin	SPI Mode	SMBus Slave Mode
41	SPI_CE_N	<u>CFG_NON_REM</u>
40	SPI_DI	<u>CFG_BC_EN</u>
39	SPI_DO	SMDAT
38	SPI_CLK	SMCLK

USB5744

3.4.2 PORT DISABLE CONFIGURATION (PRT_DIS_P[4:1] / PRT_DIS_M[4:1])

The PRT_DIS_P[4:1] and PRT_DIS_M[4:1] configuration straps are used in conjunction to disable the related port (4-1).

For PRT_DIS_P_x (where x is the corresponding port 4-1):

0 = Port x D+ Enabled

1 = Port x D+ Disabled

For PRT_DIS_M_x (where x is the corresponding port 4-1):

0 = Port x D- Enabled

1 = Port x D- Disabled

Note: Both PRT_DIS_P_x and PRT_DIS_M_x (where x is the corresponding port) must be tied to 3.3 V to disable the associated downstream port. Disabling the USB 2.0 port will also disable the corresponding USB 3.1 Gen 1 port.

3.4.3 NON-REMOVABLE PORT CONFIGURATION (CFG_NON_REM)

The CFG_NON_REM configuration strap is used to configure the non-removable port settings of the device to one of five settings. These modes are selected by the configuration of an external resistor on the CFG_NON_REM pin. The resistor options are a 200 kΩ pull-down, 200 kΩ pull-up, 10 kΩ pull-down, 10 kΩ pull-up, and 10 Ω pull-down, as shown in [Table 3-11](#).

TABLE 3-11: CFG_NON_REM RESISTOR ENCODING

<u>CFG_NON_REM</u> Resistor Value	Setting
200 kΩ Pull-Down	All ports removable
200 kΩ Pull-Up	Port 1 non-removable
10 kΩ Pull-Down	Port 1, 2 non-removable
10 kΩ Pull-Up	Port 1, 2, 3, non-removable
10 Ω Pull-Down	Port 1, 2, 3, 4 non-removable

3.4.4 BATTERY CHARGING CONFIGURATION (CFG_BC_EN)

The CFG_BC_EN configuration strap is used to configure the battery charging port settings of the device to one of five settings. These modes are selected by the configuration of an external resistor on the CFG_BC_EN pin. The resistor options are a 200 kΩ pull-down, 200 kΩ pull-up, 10 kΩ pull-down, 10 kΩ pull-up, and 10 Ω pull-down, as shown in [Table 3-12](#).

TABLE 3-12: CFG_BC_EN RESISTOR ENCODING

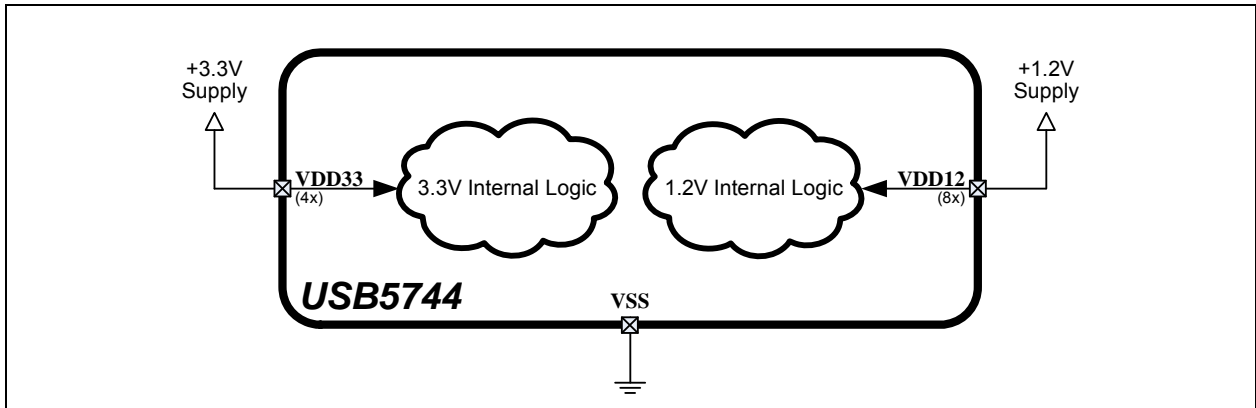
<u>CFG_BC_EN</u> Resistor Value	Setting
200 kΩ Pull-Down	No battery charging
200 kΩ Pull-Up	Port 1 battery charging
10 kΩ Pull-Down	Port 1, 2 battery charging
10 kΩ Pull-Up	Port 1, 2, 3, battery charging
10 Ω Pull-Down	Port 1, 2, 3, 4 battery charging

4.0 DEVICE CONNECTIONS

4.1 Power Connections

Figure 4-1 illustrates the device power connections.

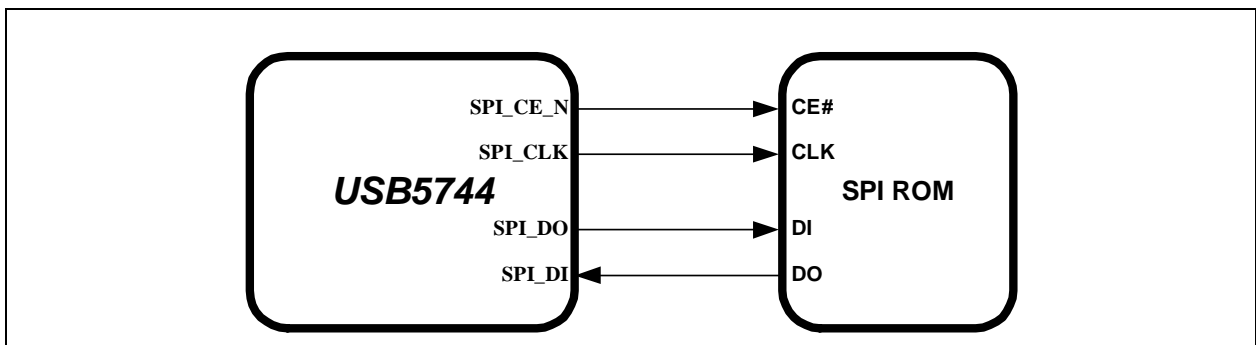
FIGURE 4-1: POWER CONNECTIONS



4.2 SPI ROM Connections

Figure 4-2 illustrates the device SPI ROM connections. Refer to [Section 7.1, "SPI Master Interface," on page 23](#) for additional information on this device interface.

FIGURE 4-2: SPI ROM CONNECTIONS

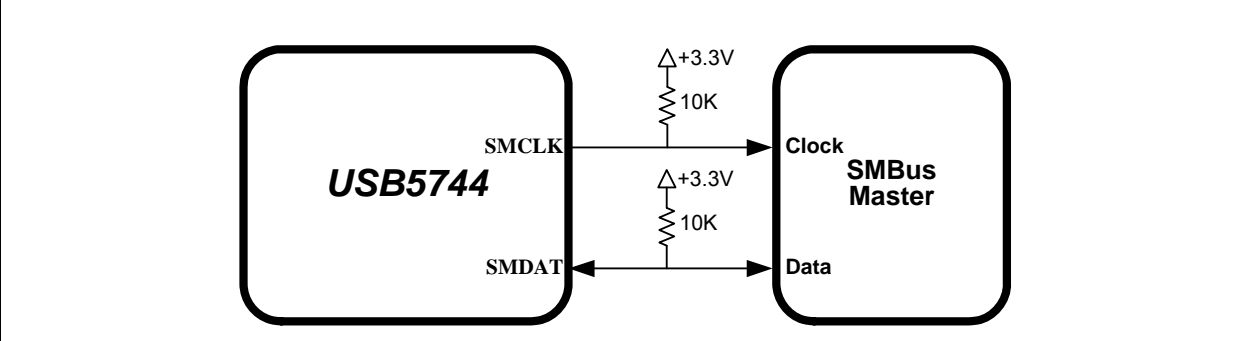


USB5744

4.3 SMBus Slave Connections

Figure 4-3 illustrates the device SMBus slave connections. Refer to Section 7.2, "SMBus Slave Interface," on page 23 for additional information on this device interface.

FIGURE 4-3: SMBUS SLAVE CONNECTIONS



5.0 MODES OF OPERATION

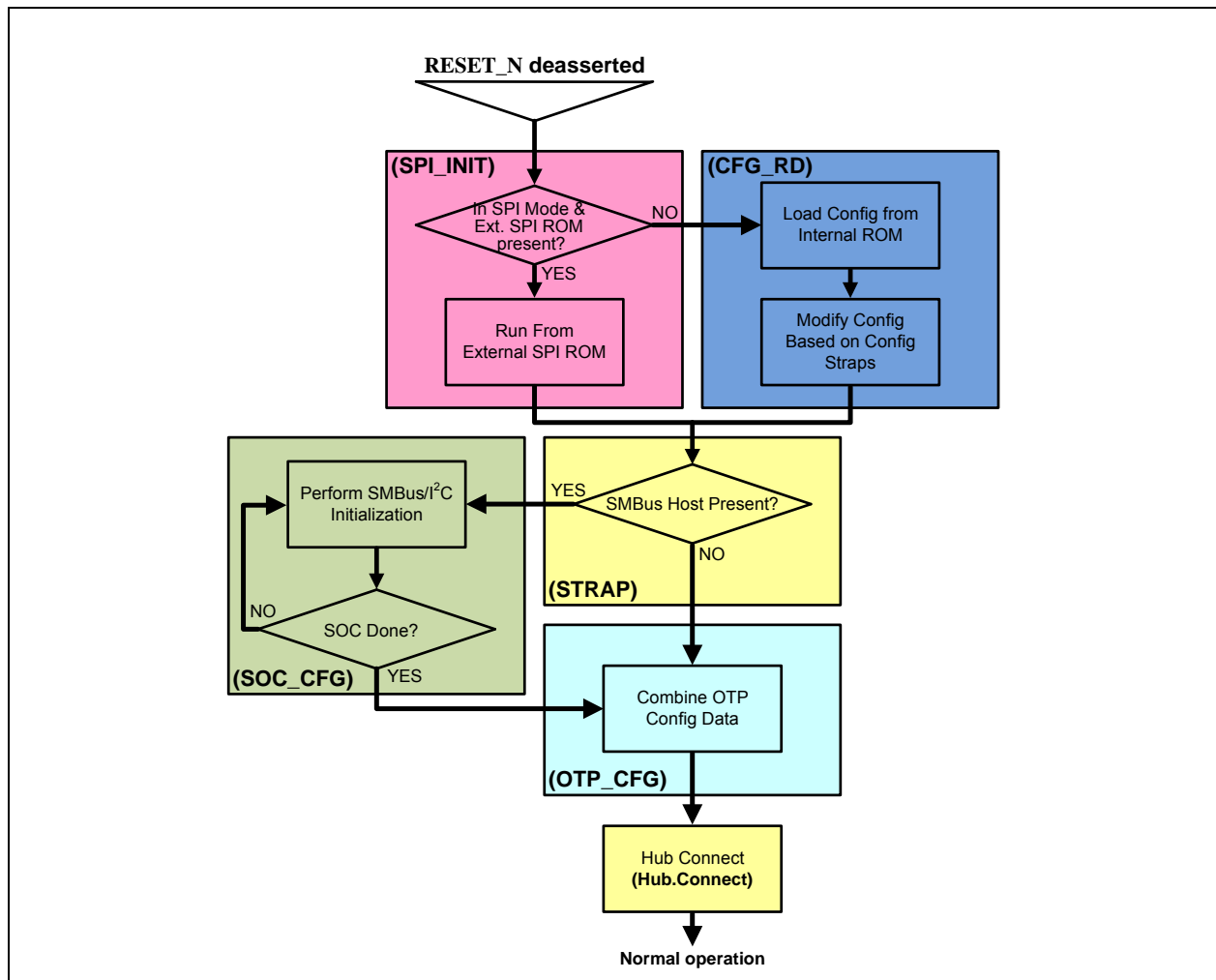
The device provides two main modes of operation: Standby Mode and Hub Mode. These modes are controlled via the **RESET_N** pin, as shown in [Table 5-1](#).

TABLE 5-1: MODES OF OPERATION

RESET_N Input	Summary
0	Standby Mode: This is the lowest power mode of the device. No functions are active other than monitoring the RESET_N input. All port interfaces are high impedance and the PLL is halted. Refer to Section 8.2.2, "External Chip Reset (RESET_N)" for additional information on RESET_N .
1	Hub (Normal) Mode: The device operates as a configurable USB hub with battery charger detection. This mode has various sub-modes of operation, as detailed in Figure 5-1 . Power consumption is based on the number of active ports, their speed, and amount of data received.

The flowchart in [Figure 5-1](#) details the modes of operation and details how the device traverses through the Hub Mode stages (shown in bold). The remaining sub-sections provide more detail on each stage of operation.

FIGURE 5-1: HUB MODE FLOWCHART



USB5744

5.1 Boot Sequence

5.1.1 STANDBY MODE

If the **RESET_N** pin is asserted, the hub will be in Standby Mode. This mode provides a very low power state for maximum power efficiency when no signaling is required. This is the lowest power state. In Standby Mode all downstream ports are disabled, the USB data pins are held in a high-impedance state, all transactions immediately terminate (no states saved), all internal registers return to their default state, the PLL is halted, and core logic is powered down in order to minimize power consumption. Because core logic is powered off, no configuration settings are retained in this mode and must be re-initialized after **RESET_N** is negated high.

5.1.2 SPI INITIALIZATION STAGE (SPI_INIT)

The first stage, the initialization stage, occurs on the deassertion of **RESET_N**. In this stage, the internal logic is reset, the PLL locks if a valid clock is supplied, and the configuration registers are initialized to their default state. The internal firmware then checks for an external SPI ROM. The firmware looks for an external SPI flash device that contains a valid signature of "2DFU" (device firmware upgrade) beginning at address 0xFFFFA. If a valid signature is found, then the external ROM is enabled and the code execution begins at address 0x0000 in the external SPI device. If a valid signature is not found, then execution continues from internal ROM (CFG_RD stage).

When using an external SPI ROM, a 1 Mbit, 60 MHz or faster ROM must be used. Both 1- and 2-bit SPI operation are supported. For optimum throughput, a 2-bit SPI ROM is recommended. Both mode 0 and mode 3 SPI ROMs are also supported.

If the system is not strapped for SPI Mode, code execution will continue from internal ROM (CFG_RD stage).

5.1.3 CONFIGURATION READ STAGE (CFG_RD)

In this stage, the internal firmware loads the default values from the internal ROM and then uses the configuration strapping options to override the default values. Refer to [Section 3.4, "Configuration Straps and Programmable Functions"](#) for information on usage of the various device configuration straps.

5.1.4 STRAP READ STAGE (STRAP)

In this stage, the firmware registers the configuration strap settings on the **SPI_DO** and **SPI_CLK** pins. Refer to [Section 3.4.1, "SPI/SMBus Configuration"](#) for information on configuring these straps. If configured for SMBus Slave Mode, the next state will be SOC_CFG. Otherwise, the next state is OTP_CFG.

5.1.5 SOC CONFIGURATION STAGE (SOC_CFG)

In this stage, the SOC can modify any of the default configuration settings specified in the integrated ROM, such as USB device descriptors and port electrical settings.

There is no time limit on this mode. In this stage the firmware will wait indefinitely for the SMBus/I²C configuration. When the SOC has completed configuring the device, it must write to register 0xFF to end the configuration.

5.1.6 OTP CONFIGURATION STAGE (OTP_CFG)

Once the SOC has indicated that it is done with configuration, all configuration data is combined in this stage. The default data, the SOC configuration data, and the OTP data are all combined in the firmware and the device is programmed.

After the device is fully configured, it will go idle and then into suspend if there is no VBUS or Hub.Connect present. Once VBUS is present, and battery charging is enabled, the device will transition to the Battery Charger Detection Stage. If VBUS is present, and battery charging is not enabled, the device will transition to the Connect stage.

5.1.7 HUB CONNECT STAGE (HUB.CONNECT)

Once the CHGDET stage is completed, the device enters the Hub Connect stage. USB connect can be initiated by asserting the VBUS pin function high. The device will remain in the Hub Connect stage indefinitely until the VBUS pin function is deasserted.

5.1.8 NORMAL MODE

Lastly, the hub enters Normal Mode of operation. In this stage full USB operation is supported under control of the USB Host on the upstream port. The device will remain in the normal mode until the operating mode is changed by the system.

If **RESET_N** is asserted low, then Standby Mode is entered. The device may then be placed into any of the designated hub stages. Asserting a soft disconnect on the upstream port will cause the hub to return to the Hub.Connect stage until the soft disconnect is negated.

USB5744

6.0 DEVICE CONFIGURATION

The device supports a large number of features (some mutually exclusive), and must be configured in order to correctly function when attached to a USB host controller. The hub can be configured either internally or externally depending on the implemented interface.

Microchip provides a comprehensive software programming tool, Pro-Touch, for configuring the USB5744 functions, registers and OTP memory. All configuration is to be performed via the Pro-Touch programming tool. For additional information on the Pro-Touch programming tool, refer to the Software Libraries within the Microchip USB5744 product page at www.microchip.com/USB5744.

<p>Note: Device configuration straps and programmable pins are detailed in Section 3.4, "Configuration Straps and Programmable Functions," on page 15. Refer to Section 7.0, "Device Interfaces" for detailed information on each device interface.</p>
--

6.1 Customer Accessible Functions

The following USB or SMBus accessible functions are available to the customer via the Pro-Touch Programming Tool.

<p>Note: For additional programming details, refer to the Pro-Touch programming tool.</p>
--

6.1.1 USB ACCESSIBLE FUNCTIONS

6.1.1.1 OTP Access over USB

The OTP ROM in the device is accessible via the USB bus. All OTP parameters can be modified to the USB Host. The OTP operates in Single Ended mode. For more information, refer to the Microchip USB5744 product page and SDK at www.microchip.com/USB5744

6.1.1.2 Battery Charging Access over USB

The Battery charging behavior of the device can be dynamically changed by the USB Host when something other than the preprogrammed or OTP programmed behavior is desired. For more information, refer to the Microchip USB5744 product page and SDK at www.microchip.com/USB5744

6.1.2 SMBUS ACCESSIBLE FUNCTIONS

OTP access and configuration of specific device functions are possible via the USB5744 SMBus. All OTP parameters can be modified via the SMBus Host. The OTP can be programmed to operate in Single-Ended, Differential, Redundant, or Differential Redundant mode, depending on the level of reliability required. For more information, refer to AN1903 - "Configuration Options for the USB5734 and USB5744" application note at www.microchip.com/AN1903.

7.0 DEVICE INTERFACES

The USB5744 provides multiple interfaces for configuration and external memory access. This section details the various device interfaces and their usage:

- [SPI Master Interface](#)
- [SMBus Slave Interface](#)

Note: For details on how to enable each interface, refer to [Section 3.4.1, "SPI/SMBus Configuration"](#).

For information on device connections, refer to [Section 4.0, "Device Connections"](#). For information on device configuration, refer to [Section 6.0, "Device Configuration"](#).

Microchip provides a comprehensive software programming tool, Pro-Touch, for configuring the USB5744 functions, registers and OTP memory. All configuration is to be performed via the Pro-Touch programming tool. For additional information on the Pro-Touch programming tool, refer to Software Libraries within Microchip USB5744 product page at www.microchip.com/USB5744.

7.1 SPI Master Interface

The device is capable of code execution from an external SPI ROM. When configured for SPI Mode, on power up the firmware looks for an external SPI flash device that contains a valid signature of 2DFU (device firmware upgrade) beginning at address 0xFFFFA. If a valid signature is found, then the external ROM is enabled and the code execution begins at address 0x0000 in the external SPI device. If a valid signature is not found, then execution continues from internal ROM.

Note: For SPI timing information, refer to [Section 10.6.7, "SPI Timing"](#).

7.2 SMBus Slave Interface

The device includes an integrated SMBus slave interface, which can be used to access internal device run time registers or program the internal OTP memory. SMBus slave detection is accomplished by detection of pull-up resistors on both the SMDAT and SMCLK signals. Refer to [Section 3.4.1, "SPI/SMBus Configuration"](#) for additional information.

Note: All device configuration must be performed via the Pro-Touch Programming Tool. For additional information on the Pro-Touch programming tool, refer to Software Libraries within Microchip USB5744 product page at www.microchip.com/USB5744.

USB5744

8.0 FUNCTIONAL DESCRIPTIONS

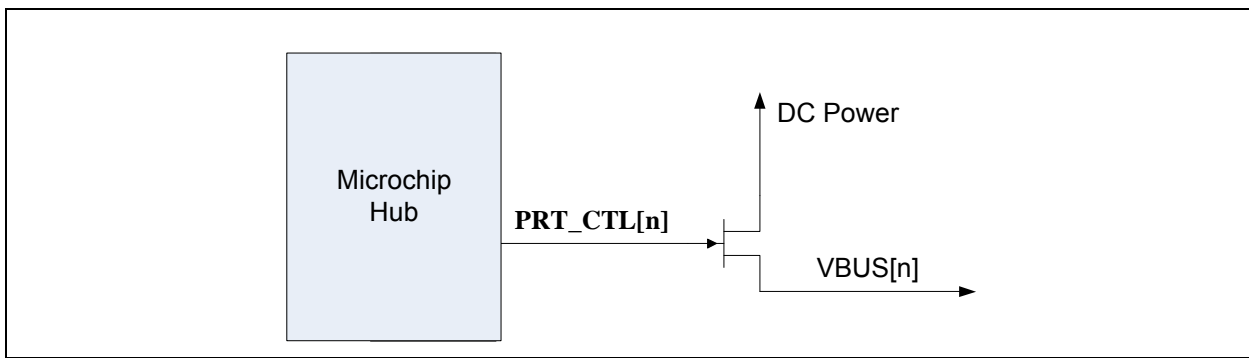
This section details various USB5744 functions, including:

- [Downstream Battery Charging](#)
- [Resets](#)
- [Link Power Management \(LPM\)](#)
- [Port Control Interface](#)

8.1 Downstream Battery Charging

The device can be configured by an OEM to have any of the downstream ports support battery charging. The hub's role in battery charging is to provide acknowledgment to a device's query as to whether the hub system supports USB battery charging. The hub silicon does not provide any current or power FETs or any additional circuitry to actually charge the device. Those components must be provided externally by the OEM.

FIGURE 8-1: BATTERY CHARGING EXTERNAL POWER SUPPLY



If the OEM provides an external supply capable of supplying current per the battery charging specification, the hub can be configured to indicate the presence of such a supply from the device. This indication, via the **PRT_CTL[4:1]** pins, is on a per port basis. For example, the OEM can configure two ports to support battery charging through high current power FETs and leave the other two ports as standard USB ports.

For additional information, refer to the Microchip USB5744 Battery Charging application note on the Microchip.com USB5744 product page at www.microchip.com/USB5744.

8.2 Resets

The device includes the following chip-level reset sources:

- [Power-On Reset \(POR\)](#)
- [External Chip Reset \(RESET_N\)](#)
- [USB Bus Reset](#)

8.2.1 POWER-ON RESET (POR)

A power-on reset occurs whenever power is initially supplied to the device, or if power is removed and reapplied to the device. A timer within the device will assert the internal reset per the specifications listed in [Section 10.6.2, "Power-On and Configuration Strap Timing," on page 35](#).

8.2.2 EXTERNAL CHIP RESET (RESET_N)

A valid hardware reset is defined as assertion of **RESET_N**, after all power supplies are within operating range, per the specifications in [Section 10.6.3, "Reset and Configuration Strap Timing," on page 36](#). While reset is asserted, the device (and its associated external circuitry) enters Standby Mode and consumes minimal current.

Assertion of **RESET_N** causes the following:

1. The PHY is disabled and the differential pairs will be in a high-impedance state.
2. All transactions immediately terminate; no states are saved.
3. All internal registers return to the default state.
4. The external crystal oscillator is halted.
5. The PLL is halted.

Note: All power supplies must have reached the operating levels mandated in [Section 10.2, "Operating Conditions**," on page 31](#), prior to (or coincident with) the assertion of **RESET_N**.

8.2.3 USB BUS RESET

In response to the upstream port signaling a reset to the device, the device performs the following:

Note: The device does not propagate the upstream USB reset to downstream devices.

1. Sets default address to 0.
2. Sets configuration to Unconfigured.
3. Moves device from suspended to active (if suspended).
4. Complies with the USB Specification for behavior after completion of a reset sequence.

The host then configures the device in accordance with the USB Specification.

8.3 Link Power Management (LPM)

The device supports the L0 (On), L1 (Sleep), and L2 (Suspend) link power management states. These supported LPM states offer low transitional latencies in the tens of microseconds versus the much longer latencies of the traditional USB suspend/resume in the tens of milliseconds. The supported LPM states are detailed in [Table 8-1](#).

TABLE 8-1: LPM STATE DEFINITIONS

State	Description	Entry/Exit Time to L0
L2	Suspend	Entry: ~3 ms Exit: ~2 ms (from start of RESUME)
L1	Sleep	Entry: <10 us Exit: <50 us
L0	Fully Enabled (On)	-

USB5744

8.4 Port Control Interface

Port power and over-current sense share the same pin (**PRT_CTLx**) for each port. These functions can be controlled directly from the USB hub, or via the processor.

The device can be configured into the following port control modes:

- Ganged Mode
- Combined Mode

Port connection in various modes are detailed in the following subsections.

8.4.1 PORT CONNECTION IN GANGED MODE

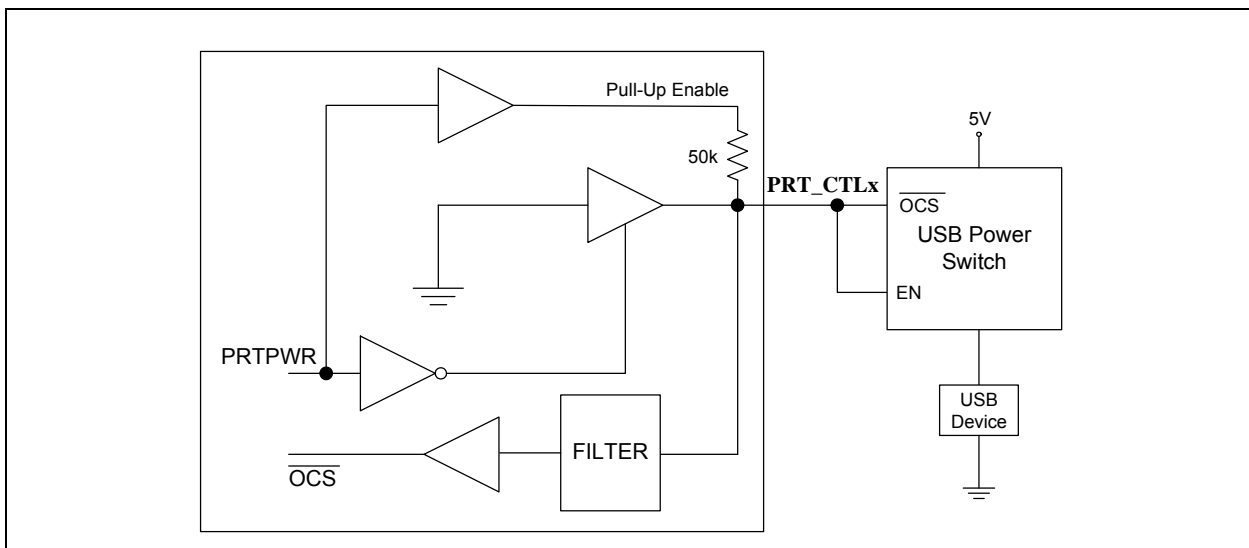
In this mode, one pin (**GANG_PWR**) is used to control port power and over-current sensing.

8.4.2 PORT CONNECTION IN COMBINED MODE

8.4.2.1 Port Power Control using USB Power Switch

When operating in combined mode, the device will have one port power control and over-current sense pin for each downstream port. When disabling port power, the driver will actively drive a '0'. To avoid unnecessary power dissipation, the pull-up resistor will be disabled at that time. When port power is enabled, it will disable the output driver and enable the pull-up resistor, making it an open drain output. If there is an over-current situation, the USB Power Switch will assert the open drain OCS signal. The Schmidt trigger input will recognize that as a low. The open drain output does not interfere. The over-current sense filter handles the transient conditions such as low voltage while the device is powering up.

FIGURE 8-2: PORT POWER CONTROL WITH USB POWER SWITCH



When the port is enabled, the **PRT_CTLx** pin input is constantly sampled. Overcurrent events can be detected in one of two ways:

- Single, continuous low pulse (consecutive low samples over t_{ocs_single}), as shown in [Figure 8-3](#).
- Two short low pulses within a rolling window (two groupings of 1 or more low samples over t_{ocs_double}), as shown in [Figure 8-4](#).

FIGURE 8-3: SINGLE LOW PULSE OVERCURRENT DETECTION

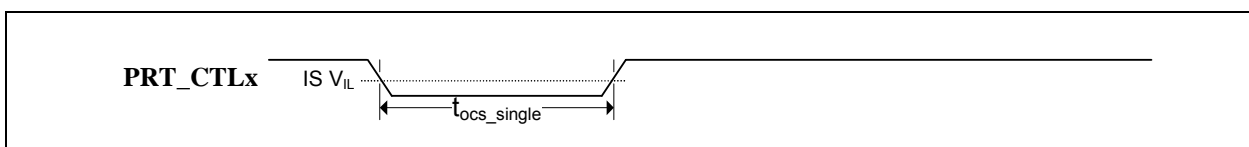


FIGURE 8-4: DOUBLE LOW PULSE OVERCURRENT DETECTION

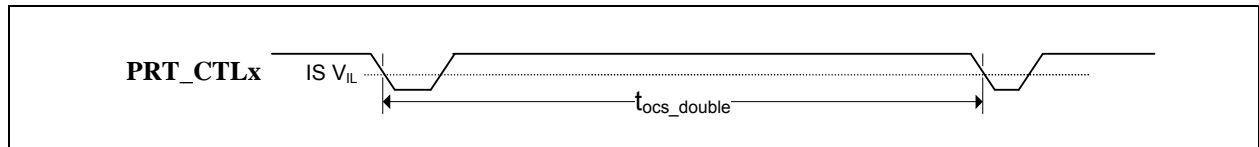


TABLE 8-2: OVERCURRENT PULSE TIMING

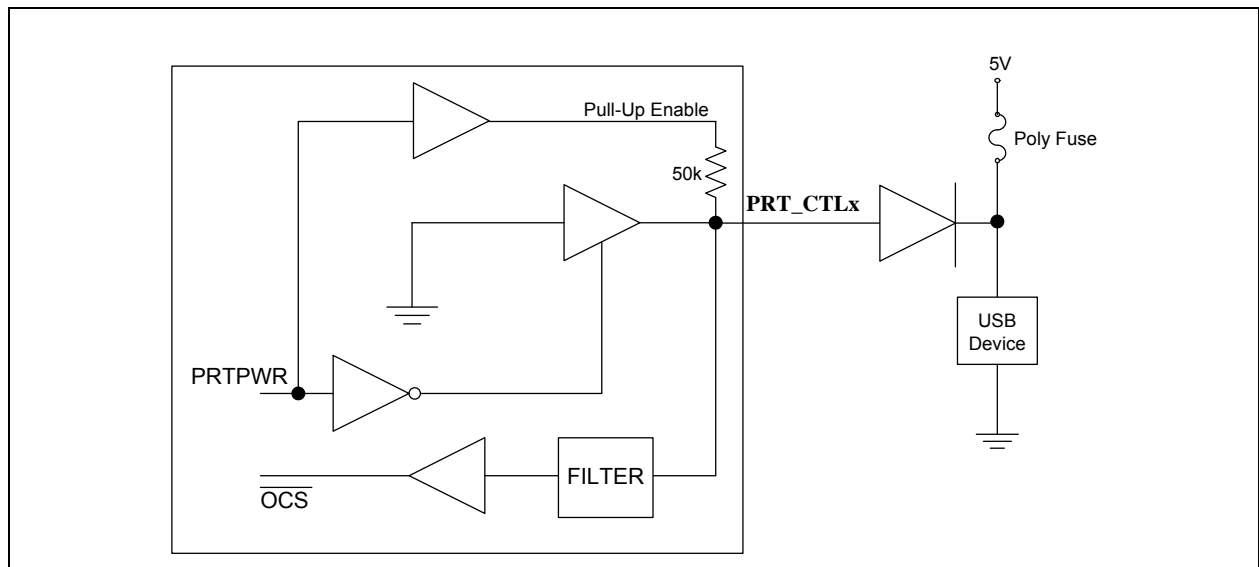
Symbol	Description	Min	Max	Units
t _{ocs_single}	single low pulse assertion time	5	-	ms
t _{ocs_double}	double low pulse window	-	20	ms

8.4.2.2 Port Power Control using Poly Fuse

When using the device with a poly fuse, there is no need for an output power control. To maintain consistency, the same circuit will be used. A single port power control and over-current sense for each downstream port is still used from the Hub's perspective. When disabling port power, the driver will actively drive a '0'. This will have no effect as the external diode will isolate pin from the load. When port power is enabled, it will disable the output driver and enable the pull-up resistor. This means that the pull-up resistor is providing 3.3 volts to the anode of the diode. If there is an over-current situation, the poly fuse will open. This will cause the cathode of the diode to go to 0 volts. The anode of the diode will be at 0.7 volts, and the Schmidt trigger input will register this as a low resulting in an over-current detection. The open drain output does not interfere.

Note: The USB 2.0 and USB 3.1 Gen 1 bPwrOn2PwrGood descriptors must be set to 0 when using poly-fuse mode. Refer to Microchip application note AN1903 "Configuration Options for the USB5734 and USB5744" for details on how to change these values.

FIGURE 8-5: PORT POWER CONTROL USING A POLY FUSE

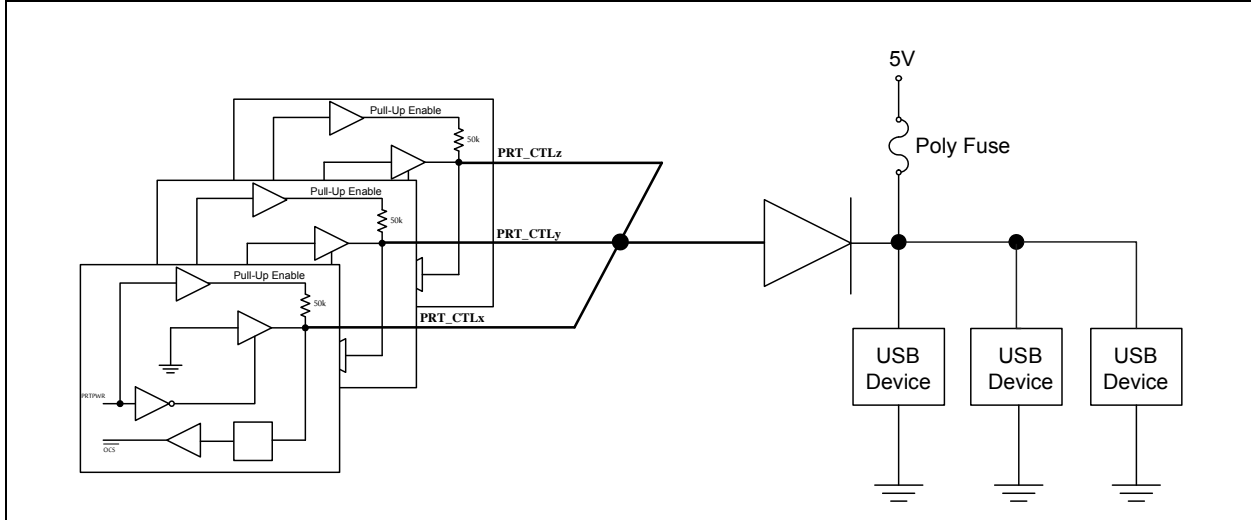


USB5744

8.4.2.3 Port Power Control with Single Poly Fuse and Multiple Loads

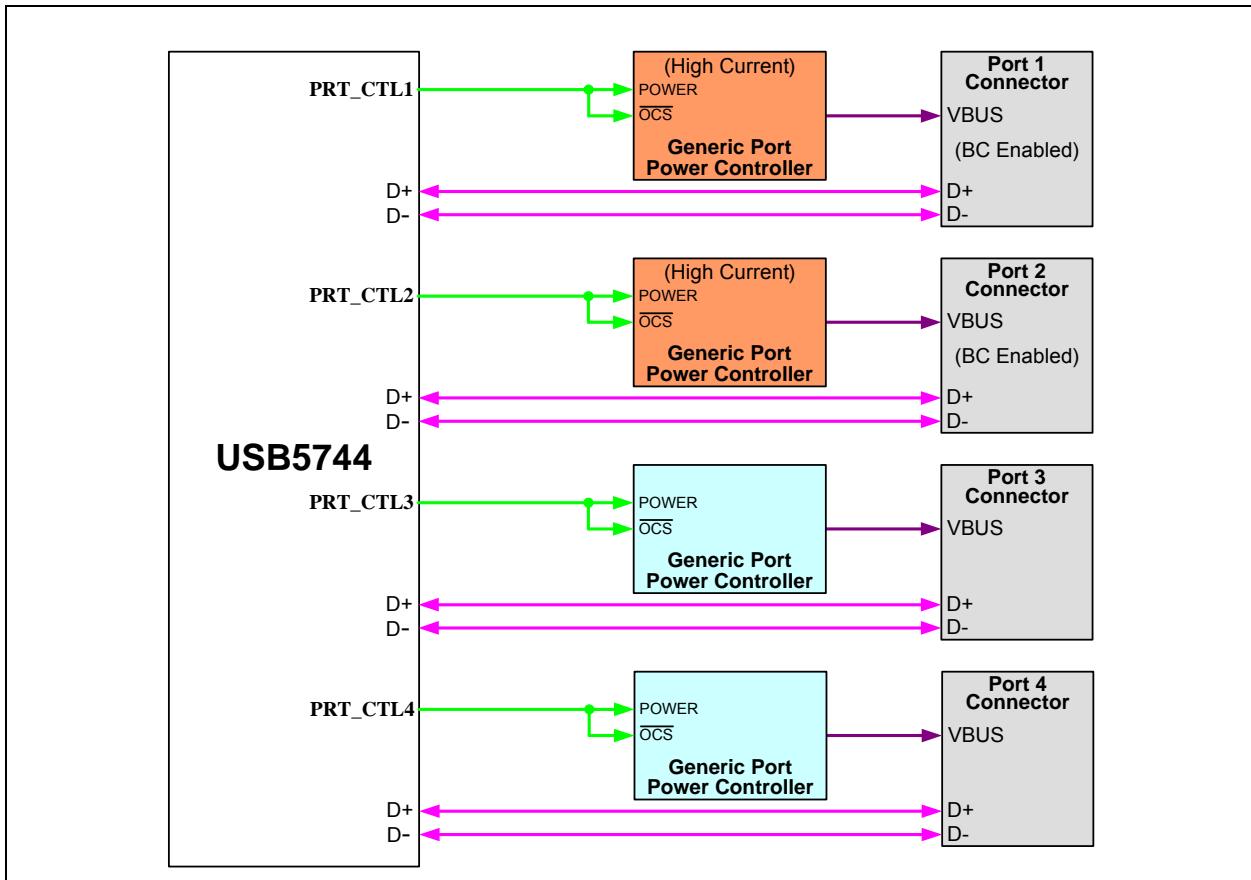
Many customers use a single poly fuse to power all their devices. For the ganged situation, all power control pins must be tied together.

FIGURE 8-6: PORT POWER CONTROL WITH GANGED CONTROL WITH POLY FUSE



8.4.3 PORT CONTROLLER CONNECTION EXAMPLE

FIGURE 8-7: USB5744 WITH 4 GENERIC PORT POWER CONTROLLERS (2 BC ENABLED)



Note: The **CFG_BC_EN** configuration strap must be properly configured to enable battery charging on the appropriate ports. For example, in the application shown in [Figure 8-7](#), **CFG_BC_EN** must be connected to an external 10 k Ω pull-down resistor to enable battery charging on Ports 1 and 2. For more information on the **CFG_BC_EN** configuration strap, refer to [Section 3.4.4](#), "Battery Charging Configuration (CFG_BC_EN)".

USB5744

9.0 COMPLIANCE UPDATE

In order to be USB-IF certified (TID 330000076), the USB5744 supports the USB 3.1 Engineering Change Notices (ECNs) included in the *Universal Serial Bus Revision 3.2 Specification*. This allows the latest revision of the USB5744 to be certified in compliance with USB-IF logo testing for the new USB Type-C™ industry initiative. The following compliance updates are supported:

- [Pending Header Packet \(HP\) Timer \(TD7.9, TD7.11, TD7.26\)](#)
- [Power Management \(PM\) Timer \(TD7.18, TD7.20, TD7.23\)](#)
- [Unacknowledged Connect and Remote Wake Test Failure \(TD10.25\)](#)

These USB 3.1 ECNs can be found as part of the *Universal Serial Bus Revision 3.2 Specification* zip file, which can be downloaded from the USB developers website (<http://www.usb.org/developers/docs/>).

9.1 Pending Header Packet (HP) Timer (TD7.9, TD7.11, TD7.26)

A turn around time is defined between the communication of a Host and Device (Link Partners) for an acknowledgment of a USB connection. The time is budgeted between a number of steps (Transmit/Receive data path of the initiator, the delay in the cable, and the response time of the responder). If the time is exceeded, no USB communication is initiated.

The ECN calls to relax the timing from 3us to 10us at the link and PHY layers to allow for an extended propagation delay to account for the usage of active cables and retimers in new SuperSpeed Plus designs.

Impact to Legacy Systems:

- A new host with a retimer connected to an active cable AND a legacy device
- A legacy host connected to an active cable and a new device with or without a retimer

9.2 Power Management (PM) Timer (TD7.18, TD7.20, TD7.23)

There are three timers for link power management: PM_LC_TIMER, PM_ENTRY_TIMER, and Ux_EXIT_TIMER. The PM_LC_TIMER is used for a port initiating an entry request to a low power link state. The PM_ENTRY_TIMER is used for a port accepting the entry request to a low power link state. Ux_EXIT_TIMER is used for a port to initiate the exit from U1 or U2 to a low power state.

The ECN calls to increase the maximum timeout values to accommodate for the new connectivity models with retimers and active cables beyond the standard USB-IF transmission lengths.

Impact to Legacy Systems:

- No impact to USB 3.0 or early USB 3.1 ecosystems

9.3 Unacknowledged Connect and Remote Wake Test Failure (TD10.25)

If a USB3 port with a connected device is placed into Suspend and RemoteWake is set but the RemoteWake mask (C_PORT_CONNECTION bit) has not been cleared, the USB3 hub will automatically issue a wake up signal to the host.

In legacy systems, if a USB3 port with a connected device was placed into Suspend and RemoteWake is set without the mask bit being cleared, the USB3 hub would NOT issue a wake up signal to the host.

Impact to Legacy Systems:

- No impact – with the new implementation, a remote wake is automatically initiated if the mask bit is not set. In older systems the remote wake may or may not have been executed.

10.0 OPERATIONAL CHARACTERISTICS

10.1 Absolute Maximum Ratings*

+1.2 V Supply Voltage (VDD12) (Note 1)	-0.5 V to +1.32 V
+3.3 V Supply Voltage (VDD33) (Note 1)	-0.5 V to +4.6 V
Positive voltage on input signal pins, with respect to ground (Note 2)	+4.6 V
Negative voltage on input signal pins, with respect to ground	-0.5 V
Positive voltage on XTALI/CLK_IN, with respect to ground	+3.63 V
Positive voltage on USB DP/DM signal pins, with respect to ground	+6.0 V
Positive voltage on USB 3.1 Gen 1 USB3UP_XXXX and USB3DN_XXXX signal pins, with respect to ground	+1.32 V
Storage Temperature	-55°C to +150°C
Junction Temperature	+125°C
Lead Temperature Range	Refer to JEDEC Spec. J-STD-020
HBM ESD Performance	3 kV

Note 1: When powering this device from laboratory or system power supplies, it is important that the absolute maximum ratings not be exceeded or device failure can result. Some power supplies exhibit voltage spikes on their outputs when AC power is switched on or off. In addition, voltage transients on the AC power line may appear on the DC output. If this possibility exists, it is suggested to use a clamp circuit.

Note 2: This rating does not apply to the following pins: All USB DM/DP pins, XTALI/CLK_IN, and XTALO

*Stresses exceeding those listed in this section could cause permanent damage to the device. This is a stress rating only. Exposure to absolute maximum rating conditions for extended periods may affect device reliability. Functional operation of the device at any condition exceeding those indicated in [Section 10.2, "Operating Conditions"](#), [Section 10.5, "DC Specifications"](#), or any other applicable section of this specification is not implied.

10.2 Operating Conditions**

+1.2 V Supply Voltage (VDD12)	+1.08 V to +1.32 V
+3.3 V Supply Voltage (VDD33)	+3.0 V to +3.6 V
Input Signal Pins Voltage (Note 2)	-0.3 V to +3.6 V
XTALI/CLK_IN Voltage	-0.3 V to +3.6 V
USB 2.0 DP/DM Signal Pins Voltage	-0.3 V to +5.5 V
USB 3.1 Gen 1 USB3UP_XXXX and USB3DN_XXXX Signal Pins Voltage	-0.3 V to +1.32 V
Ambient Operating Temperature in Still Air (T _A)	Note 3
+1.2 V Supply Voltage Rise Time (T _{RT} in Figure 10-1)	400 μs
+3.3 V Supply Voltage Rise Time (T _{RT} in Figure 10-1)	400 μs

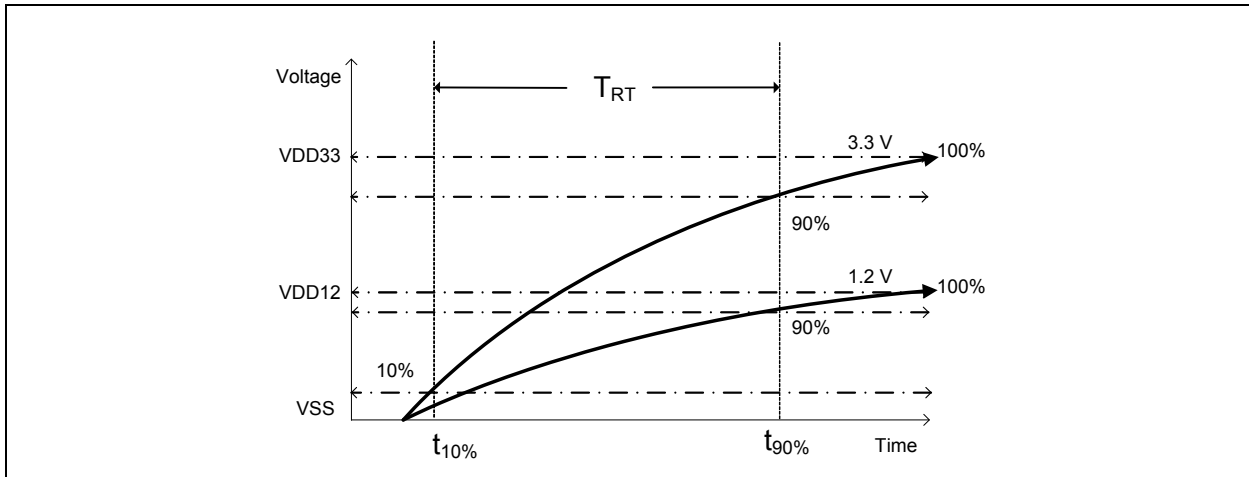
Note 3: 0°C to +70°C for commercial version, -40°C to +85°C for industrial version.

**Proper operation of the device is guaranteed only within the ranges specified in this section.

Note: Do not drive input signals without power supplied to the device.

USB5744

FIGURE 10-1: SUPPLY RISE TIME MODEL



10.3 Package Thermal Specifications

TABLE 10-1: PACKAGE THERMAL PARAMETERS

Symbol	°C/W	Velocity (Meters/s)
Θ_{JA}	30	0
	26	1
Ψ_{JT}	0.2	0
	0.3	1
Θ_{JC}	2.6	0
	2.6	1

Note: Thermal parameters are measured or estimated for devices in a multi-layer 2S2P PCB per JESDN51.

TABLE 10-2: MAXIMUM POWER DISSIPATION

Parameter	Value	Units
PD(max)	1400	mW

10.4 Power Consumption

This section details the power consumption of the device as measured during various modes of operation. Power dissipation is determined by temperature, supply voltage, and external source/sink requirements.

TABLE 10-3: DEVICE POWER CONSUMPTION

	Typical (mA)		Typical Power (mW)
	VDD33	VDD12	
Reset	0.8	1.8	4.8
No VBUS	2.0	5.0	12.6
Global Suspend	2.0	5.2	12.9
4 FS Ports	39	35	170
4 HS Ports	53	42	222
4 SS Ports	55	683	1001
4 SS/HS Ports	93	688	1132

USB5744

10.5 DC Specifications

TABLE 10-4: I/O DC ELECTRICAL CHARACTERISTICS

Parameter	Symbol	Min	Typical	Max	Units	Notes
I Type Input Buffer						
Low Input Level	V_{IL}			0.9	V	
High Input Level	V_{IH}	2.1			V	
IS Type Input Buffer						
Low Input Level	V_{IL}			0.9	V	
High Input Level	V_{IH}	1.9			V	
Schmitt Trigger Hysteresis ($V_{IHT} - V_{ILT}$)	V_{HYS}	9	20	40	mV	
O6 Type Output Buffer						
Low Output Level	V_{OL}			0.4	V	$I_{OL} = 6 \text{ mA}$
High Output Level	V_{OH}	VDD33-0.4			V	$I_{OH} = -6 \text{ mA}$
O12 Type Output Buffer						
Low Output Level	V_{OL}			0.4	V	$I_{OL} = 12 \text{ mA}$
High Output Level	V_{OH}	VDD33-0.4			V	$I_{OH} = -12 \text{ mA}$
OD12 Type Output Buffer						
Low Output Level	V_{OL}			0.4	V	$I_{OL} = 12 \text{ mA}$
ICLK Type Input Buffer (XTALI Input)						
Low Input Level	V_{IL}			0.50	V	Note 4
High Input Level	V_{IH}	0.85		VDD33	V	
IO-U Type Buffer (See Note 5)						
						Note 5

Note 4: XTALI can optionally be driven from a 25 MHz singled-ended clock oscillator.

Note 5: Refer to the USB 3.1 Gen 1 Specification for USB DC electrical characteristics.

10.6 AC Specifications

This section details the various AC timing specifications of the device.

10.6.1 POWER SUPPLY AND RESET_N SEQUENCE TIMING

Figure 10-2 illustrates the recommended power supply sequencing and timing for the device. VDD33 should rise after or at the same rate as VDD12. Similarly, RESET_N and/or VBUS_DET should rise after or at the same rate as VDD33. VBUS_DET and RESET_N do not have any other timing dependencies.

FIGURE 10-2: POWER SUPPLY AND RESET_N SEQUENCE TIMING

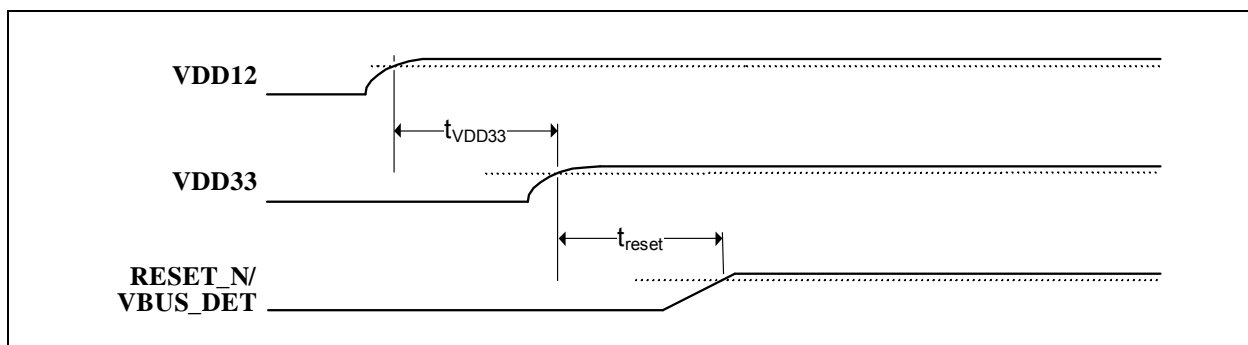


TABLE 10-5: POWER SUPPLY AND RESET_N SEQUENCE TIMING

Symbol	Description	Min	Typ	Max	Units
t_{VDD33}	VDD12 to VDD33 rise time	0			ms
t_{reset}	VDD33 to RESET_N/VBUS_DET rise time	0			ms

10.6.2 POWER-ON AND CONFIGURATION STRAP TIMING

Figure 10-3 illustrates the configuration strap valid timing requirements in relation to power-on, for applications where RESET_N is not used at power-on. In order for valid configuration strap values to be read at power-on, the following timing requirements must be met. The operational levels (V_{opp}) for the external power supplies are detailed in Section 10.2, "Operating Conditions**," on page 31.

FIGURE 10-3: POWER-ON CONFIGURATION STRAP VALID TIMING

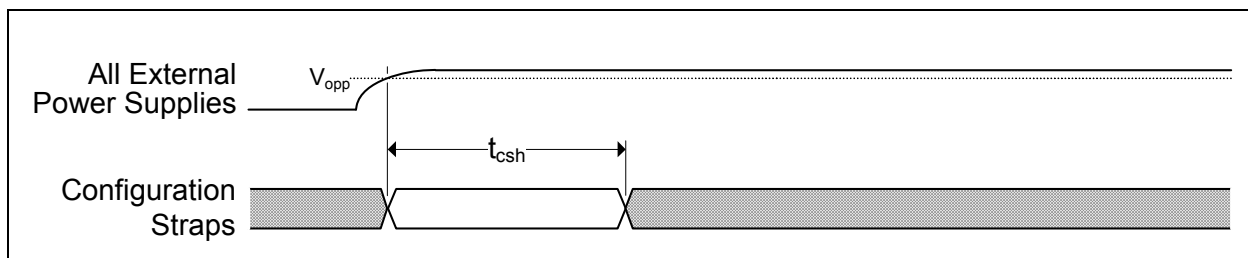


TABLE 10-6: POWER-ON CONFIGURATION STRAP LATCHING TIMING

Symbol	Description	Min	Typ	Max	Units
t_{csh}	Configuration strap hold after external power supplies at operational levels	1			ms

Device configuration straps are also latched as a result of RESET_N assertion. Refer to Section 10.6.3, "Reset and Configuration Strap Timing" for additional details.

USB5744

10.6.3 RESET AND CONFIGURATION STRAP TIMING

Figure 10-4 illustrates the **RESET_N** pin timing requirements and its relation to the configuration strap pins. Assertion of **RESET_N** is not a requirement. However, if used, it must be asserted for the minimum period specified. Refer to Section 8.2, "Resets" for additional information on resets. Refer to Section 3.4, "Configuration Straps and Programmable Functions" for additional information on configuration straps.

FIGURE 10-4: RESET_N CONFIGURATION STRAP TIMING

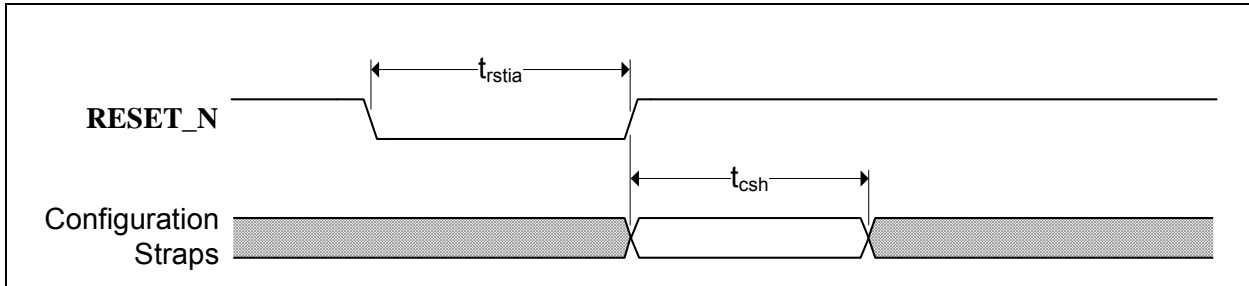


TABLE 10-7: RESET_N CONFIGURATION STRAP TIMING

Symbol	Description	Min	Typ	Max	Units
t_{rstia}	RESET_N input assertion time	5			μs
t_{csh}	Configuration strap pins hold after RESET_N deassertion	1			ms

Note: The clock input must be stable prior to **RESET_N** deassertion.

Configuration strap latching and output drive timings shown assume that the Power-On reset has finished first otherwise the timings in Section 10.6.2, "Power-On and Configuration Strap Timing" apply.

10.6.4 USB TIMING

All device USB signals conform to the voltage, power, and timing characteristics/specifications as set forth in the *Universal Serial Bus Specification*. Please refer to the *Universal Serial Bus Revision 3.1 Specification*, available at <http://www.usb.org/developers/docs>.

10.6.5 I²C TIMING

All device I²C signals conform to the 400KHz Fast Mode (Fm) voltage, power, and timing characteristics/specifications as set forth in the *I²C-Bus Specification*. Please refer to the *I²C-Bus Specification*, available at http://www.nxp.com/documents/user_manual/UM10204.pdf.

10.6.6 SMBUS TIMING

All device SMBus signals conform to the voltage, power, and timing characteristics/specifications as set forth in the *System Management Bus Specification*. Please refer to the *System Management Bus Specification*, Version 1.0, available at <http://smbus.org/specs>.

10.6.7 SPI TIMING

This section specifies the SPI timing requirements for the device.

FIGURE 10-5: SPI TIMING

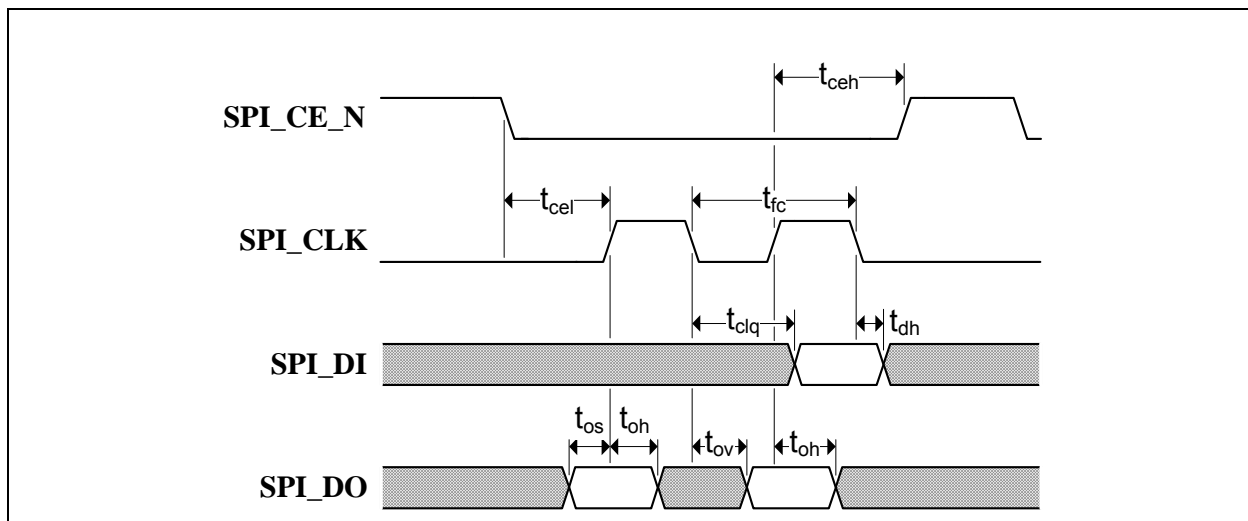


TABLE 10-8: SPI TIMING (30 MHZ OPERATION)

Symbol	Description	Min	Typ	Max	Units
t_{fc}	Clock frequency			30	MHz
t_{ceh}	Chip enable (SPI_CE_EN) high time	100			ns
t_{clq}	Clock to input data			13	ns
t_{dh}	Input data hold time	0			ns
t_{os}	Output setup time	5			ns
t_{oh}	Output hold time	5			ns
t_{ov}	Clock to output valid	4			ns
t_{cel}	Chip enable (SPI_CE_EN) low to first clock	12			ns
t_{ceh}	Last clock to chip enable (SPI_CE_EN) high	12			ns

TABLE 10-9: SPI TIMING (60 MHZ OPERATION)

Symbol	Description	Min	Typ	Max	Units
t_{fc}	Clock frequency			60	MHz
t_{ceh}	Chip enable (SPI_CE_EN) high time	50			ns
t_{clq}	Clock to input data			9	ns
t_{dh}	Input data hold time	0			ns
t_{os}	Output setup time	5			ns
t_{oh}	Output hold time	5			ns
t_{ov}	Clock to output valid	4			ns
t_{cel}	Chip enable (SPI_CE_EN) low to first clock	12			ns
t_{ceh}	Last clock to chip enable (SPI_CE_EN) high	12			ns

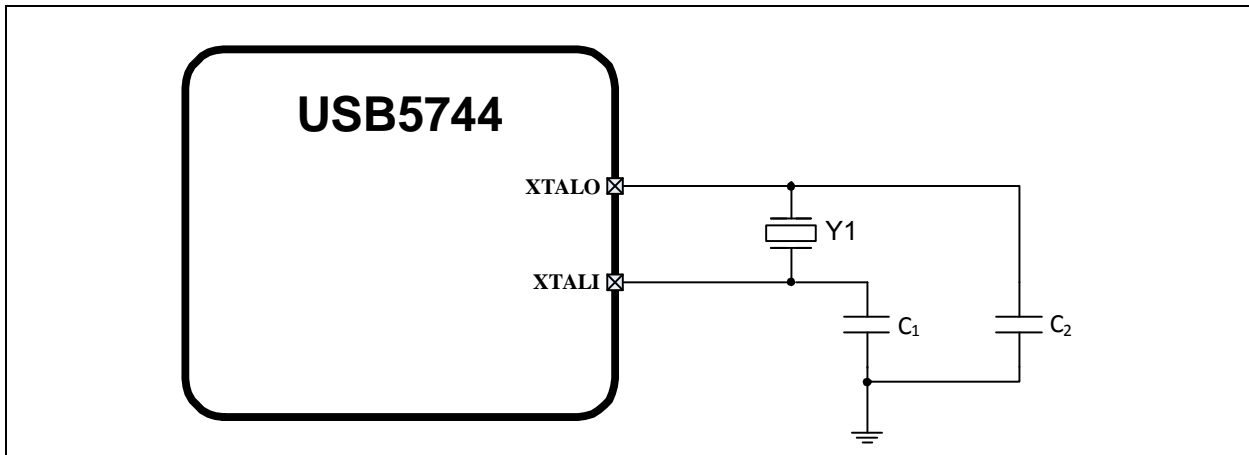
USB5744

10.7 Clock Specifications

The device can accept either a 25MHz crystal or a 25MHz single-ended clock oscillator (± 50 ppm) input. If the single-ended clock oscillator method is implemented, XTALO should be left unconnected and XTALI/CLK_IN should be driven with a nominal 0-3.3V clock signal. The input clock duty cycle is 40% minimum, 50% typical and 60% maximum.

It is recommended that a crystal utilizing matching parallel load capacitors be used for the crystal input/output signals (XTALI/XTALO). The following circuit design (Figure 10-6) and specifications (Table 10-10) are required to ensure proper operation.

FIGURE 10-6: 25MHZ CRYSTAL CIRCUIT



10.7.1 CRYSTAL SPECIFICATIONS

It is recommended that a crystal utilizing matching parallel load capacitors be used for the crystal input/output signals (XTALI/XTALO). Refer to Table 10-10 for the recommended crystal specifications.

TABLE 10-10: CRYSTAL SPECIFICATIONS

Parameter	Symbol	Min	Nom	Max	Units	Notes
Crystal Cut		AT, typ				
Crystal Oscillation Mode		Fundamental Mode				
Crystal Calibration Mode		Parallel Resonant Mode				
Frequency	F_{fund}	-	25.000	-	MHz	
Frequency Tolerance @ 25°C	F_{tol}	-	-	± 50	PPM	Note 6
Frequency Stability Over Temp	F_{temp}	-	-	± 50	PPM	Note 6
Frequency Deviation Over Time	F_{age}	-	± 3 to 5	-	PPM	
Total Allowable PPM Budget		-	-	± 100	PPM	Note 7
Shunt Capacitance	C_O	-	7 typ	-	pF	
Load Capacitance	C_L	-	20 typ	-	pF	
Drive Level	P_W	100	-	-	uW	
Equivalent Series Resistance	R_1	-	-	50	Ω	
Operating Temperature Range		Note 7	-	Note 8	°C	
XTALI/CLK_IN Pin Capacitance		-	3 typ	-	pF	Note 9
XTALO Pin Capacitance		-	3 typ	-	pF	Note 9

Note 6: Frequency Deviation Over Time is also referred to as Aging.

Note 7: 0 °C for commercial version, -40 °C for industrial version.

Note 8: +70 °C for commercial version, +85 °C for industrial version.

Note 9: This number includes the pad, the bond wire and the lead frame. PCB capacitance is not included in this value. The **XTALI/CLK_IN** pin, **XTALO** pin and PCB capacitance values are required to accurately calculate the value of the two external load capacitors. These two external load capacitors determine the accuracy of the 25.000 MHz frequency.

10.7.2 EXTERNAL REFERENCE CLOCK (**CLK_IN**)

When using an external reference clock, the following input clock specifications are suggested:

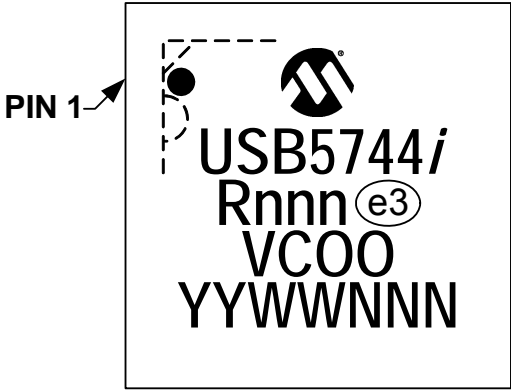
- 25 MHz
- 50% duty cycle $\pm 10\%$, ± 100 ppm
- Jitter < 100 ps RMS

USB5744

11.0 PACKAGE INFORMATION

11.1 Package Marking Information

56-VQFN (7x7 mm)



PIN 1

USB5744*i*
Rnnn e3
V
COO
YYWWNNN

Legend:	<i>i</i>	Temperature range designator (Blank = commercial, <i>i</i> = industrial)
	R	Product revision
	nnn	Internal code
	e3	Pb-free JEDEC® designator for Matte Tin (Sn)
	V	Plant of assembly
	COO	Country of origin
	YY	Year code (last two digits of calendar year)
	WW	Week code (week of January 1 is week '01')
	NNN	Alphanumeric traceability code

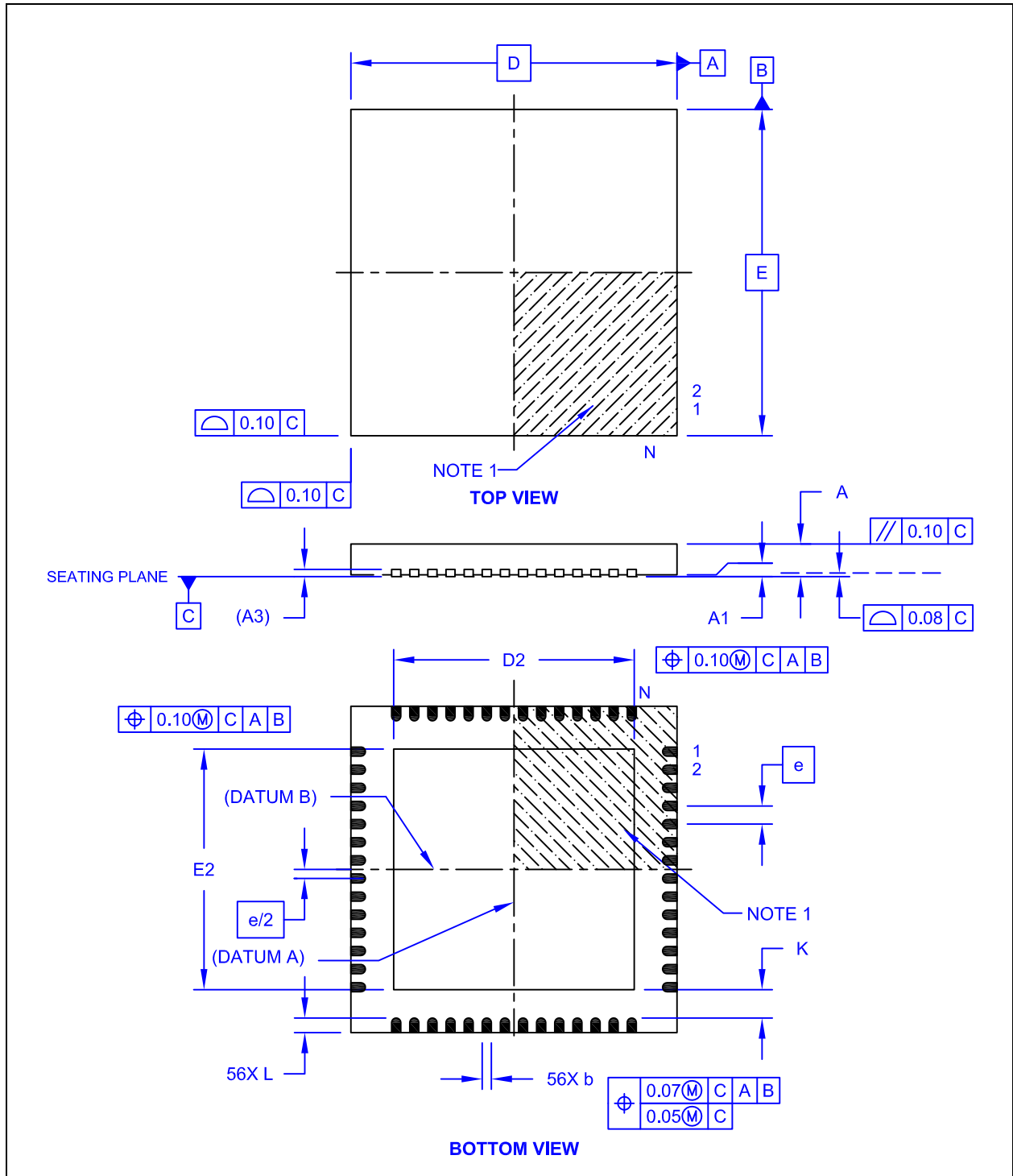
Note: In the event the full Microchip part number cannot be marked on one line, it will be carried over to the next line, thus limiting the number of available characters for customer-specific information.

* Standard device marking consists of Microchip part number, year code, week code and traceability code. For device marking beyond this, certain price adders apply. Please check with your Microchip Sales Office. For QTP devices, any special marking adders are included in QTP price.

11.2 Package Drawings

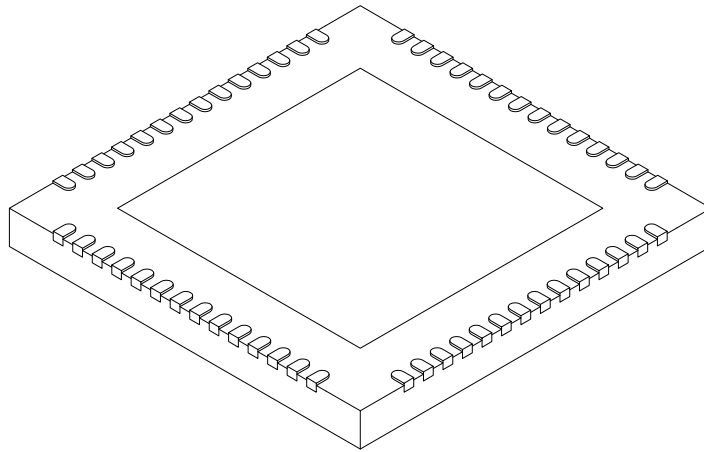
Note: For the most current package drawings, see the Microchip Packaging Specification at: <http://www.microchip.com/packaging>.

FIGURE 11-1: 56-VQFN PACKAGE (DRAWING)



USB5744

FIGURE 11-2: 56-VQFN PACKAGE (DIMENSIONS)

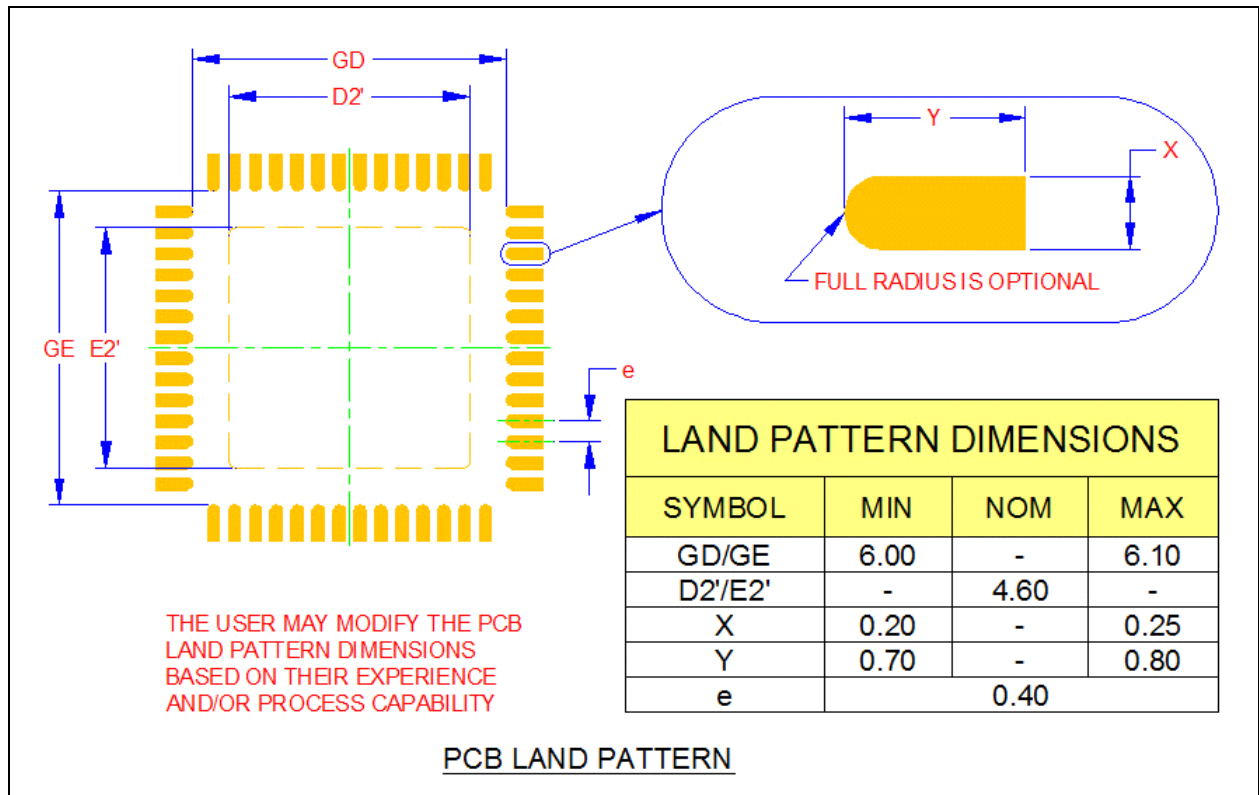


Dimension Limits	Units	MILLIMETERS		
		MIN	NOM	MAX
Number of Pins	N	56		
Pitch	e	0.40 BSC		
Overall Height	A	0.80	0.90	1.00
Standoff	A1	0.00	0.02	0.05
Contact Thickness	A3	0.20 REF		
Overall Width	E	7.00 BSC		
Exposed Pad Width	E2	4.50	4.60	4.70
Overall Length	D	7.00 BSC		
Exposed Pad Length	D2	4.50	4.60	4.70
Contact Width	b	0.15	0.20	0.25
Contact Length	L	0.30	0.40	0.50
Contact-to-Exposed Pad	K	0.70	0.80	-

Notes:

1. Pin 1 visual index feature may vary, but must be located within the hatched area.
2. Package is saw singulated.
3. Dimensioning and tolerancing per ASME Y14.5M.
BSC: Basic Dimension. Theoretically exact value shown without tolerances.
REF: Reference Dimension, usually without tolerance, for information purposes only.

FIGURE 11-3: 56-VQFN LAND PATTERN



USB5744

APPENDIX A: DATA SHEET REVISION HISTORY

TABLE A-1: REVISION HISTORY

Revision Level & Date	Section/Figure/Entry	Correction
DS00001855G (07-20-18)	FIGURE 10-2: on page 35 and Table 10-5, "Power Supply and RESET_N Sequence Timing"	Rise time modified: "VDD33 to VDD12" changed to "VDD12" to VDD33".
	Section 9.0, "Compliance Update"	TID number added to first paragraph.
DS00001855F (06-12-18)	Cover	Added new Highlight bullet/sub-bullets regarding USB-IF ECN support: "USB-IF certified (TID 330000076), supporting latest Engineering Change Notices for compliance with USB-IF logo testing for new USB Type-C™ industry initiative".
	Section 1.2, "Reference Documents"	Updated USB specification reference.
	Section 9.0, "Compliance Update"	Added new Compliance Update section.
	FIGURE 10-2: on page 35 and Table 10-5, "Power Supply and RESET_N Sequence Timing"	Rise time modified: "VDD12 to VDD33" changed to "VDD33" to VDD12".
DS00001855E (02-10-17)	Table 3-1	Removed errant duplicate pin assignment table.
	Product Identification System on page 48	Added package with hub feature controller disabled
DS00001855D (06-06-16)	Section 11.0, Package Information	Added top marking information and land pattern drawing.
	All	Updated "SQFN" references to "VQFN". Name change only.
	Section 8.4.2.1, Port Power Control using USB Power Switch	Added additional information on overcurrent detection methods.
	Section 10.6.1, Power Supply and RESET_N Sequence Timing	Added Power Supply and RESET_N Sequence Timing section.
	Section 10.6.5, I2C Timing	"100kHz Standard Mode (Sm)" updated to "400kHz Fast Mode (Fm)", since the device supports up to 400kHz I ² C operation.
DS00001855C (06-22-15)	All	Updated "USB 3.0" references to "USB 3.1 Gen 1" throughout the document Updated USB specification references Misc. typos
DS00001855B (04-16-15)	Features	Changed Environmental feature bullet from "4kV HBM JESD22-A114F ESD protection" to "3kV HBM JESD22-A114F ESD protection"
	Section 10.2, Operating Conditions**	Changed XTALI/CLK_IN Voltage to -0.3V to +3.6V
	Table 10-10, "Crystal Specifications"	Total Allowable PPM budget changed to 100ppm, removed notes under table regarding "Frequency Tolerance" and "Frequency and Transmitter Clock Frequency"
	Section 10.7.2, External Reference Clock (CLK_IN)	Changed +-350ppm t +-100 ppm

TABLE A-1: REVISION HISTORY (CONTINUED)

Revision Level & Date	Section/Figure/Entry	Correction
	Figure 3-1, "56-VQFN Pin Assignments" Table 3-1, "56-VQFN Pin Assignments"	Modified pin 32 from "PRT_CTL4/GANG_PWR" to "PRT_CTL4/ <u>GANG_PWR</u> "
	Table 3-4, "USB Port Control Pin Descriptions"	Revised description of Pin 1, <u>GANG_PWR</u>
	Table 1-1, "General Terms" and throughout document	Replaced the term Hub Controller with Hub Feature Controller, added definition in Table 1-1, "General Terms" .
	Section 6.1.2, SMBus Accessible Functions	Added web link to AN1903
		Removed PortMap feature throughout document.
	Table 3-6, "Miscellaneous Pin Descriptions"	Modified RESET_N pin description
	Section 8.3, Link Power Management (LPM)	Removed "per the USB 3.0 Specification" from the first sentence. Removed last sentence "For additional information, refer to the USB 3.0 Specification."
	Table 10-2, "MAXIMUM Power Dissipation"	Added Table 10-2 .
	Section 10.7, "Clock Specifications", Figure 10-6, Table 10-10, "Crystal Specifications"	Updated these sections.
	Section 10.7.2, External Reference Clock (CLK_IN)	Oscillator changed from "35MHz" to "25 MHz"
	Section 10.6.7, SPI Timing	Removed SPI interface configure note
	Section 10.1, Absolute Maximum Ratings*	Added "Positive voltage on USB 3.0 USB3UP_ xxxx and USB3DN_ xxxx signal pins, with respect to ground... 1.32 V
		Changed XTALI positive voltage from 2.1V to 3.63V.
		Changed "USB 3.0 DP/DM Signal Pins Voltage" to "USB 3.0 USB3UP_ xxxx and USB3DN_ xxxx Signal Pins Voltage"
	Section 8.4.2, "Port Connection in Combined Mode," on page 26	Added note under Section 8.4.2
	Product Identification System on page 48	Updated ordering information
	Section 10.1, "Absolute Maximum Ratings*," on page 31	Updated +1.2V supply voltage absolute max value. Added HBM ESD performance specification.
	Table 10-1, "Package Thermal Parameters," on page 32	Added package thermal parameters.
	Worldwide Sales and Service	Updated Worldwide Sales Listing
	Table 10-4, "I/O DC Electrical Characteristics," on page 34	Updated I buffer type high input level max. Added IS buffer type Schmitt trigger hysteresis values.

USB5744

TABLE A-1: REVISION HISTORY (CONTINUED)

Revision Level & Date	Section/Figure/Entry	Correction
	Cover, All	Updated document title to "4-Port SS/HS Controller Hub" Removed PortMap references. Removed sentence: "These circuits are used to detect the attachment and type of a USB charger and provide an interrupt output to indicate charger information is available to be read from the device's status registers via the serial interface."
	FIGURE 3-1: 56-VQFN Pin Assignments on page 8	Added configuration strap note under figure.
DS00001855A (12-15-14)	All	Initial Release

THE MICROCHIP WEB SITE

Microchip provides online support via our WWW site at www.microchip.com. This web site is used as a means to make files and information easily available to customers. Accessible by using your favorite Internet browser, the web site contains the following information:

- **Product Support** – Data sheets and errata, application notes and sample programs, design resources, user's guides and hardware support documents, latest software releases and archived software
- **General Technical Support** – Frequently Asked Questions (FAQ), technical support requests, online discussion groups, Microchip consultant program member listing
- **Business of Microchip** – Product selector and ordering guides, latest Microchip press releases, listing of seminars and events, listings of Microchip sales offices, distributors and factory representatives

CUSTOMER CHANGE NOTIFICATION SERVICE

Microchip's customer notification service helps keep customers current on Microchip products. Subscribers will receive e-mail notification whenever there are changes, updates, revisions or errata related to a specified product family or development tool of interest.

To register, access the Microchip web site at www.microchip.com. Under "Support", click on "Customer Change Notification" and follow the registration instructions.

CUSTOMER SUPPORT

Users of Microchip products can receive assistance through several channels:

- Distributor or Representative
- Local Sales Office
- Field Application Engineer (FAE)
- Technical Support

Customers should contact their distributor, representative or field application engineer (FAE) for support. Local sales offices are also available to help customers. A listing of sales offices and locations is included in the back of this document.

Technical support is available through the web site at: <http://www.microchip.com/support>

USB5744

PRODUCT IDENTIFICATION SYSTEM

To order or obtain information, e.g., on pricing or delivery, refer to the factory or the listed sales office.

<u>PART NO.</u>	[X]	[-X]	/	XX	XXX
Device	Tape & Reel Option	Temperature Range		Package	Config. Option
Device:	USB5744				
Tape and Reel Option:	Blank = Standard packaging (tray) T = Tape and Reel (Note 1)				
Temperature Range:	Blank = 0°C to +70°C (Commercial) I = -40°C to +85°C (Industrial)				
Package:	2G = 56-pin VQFN				
Configuration Option:	Blank = Standard Configuration X01 = Hub Feature Controller disabled				
Examples:					
a) USB5744/2G Tray, Commercial temp., 56-pin VQFN					
b) USB5744-I/2G Tray, Industrial temp., 56-pin VQFN					
c) USB5744T-I/2G Tape & reel, Industrial temp., 56-pin VQFN					
d) USB5744T/2G Tape & reel, Commercial temp., 56-pin VQFN					
e) USB5744/2GX01 Tray, Commercial temp., 56-pin VQFN Hub Feature Controller disabled					
Note 1: Tape and Reel identifier only appears in the catalog part number description. This identifier is used for ordering purposes and is not printed on the device package. Check with your Microchip Sales Office for package availability with the Tape and Reel option.					

Note the following details of the code protection feature on Microchip devices:

- Microchip products meet the specification contained in their particular Microchip Data Sheet.
- Microchip believes that its family of products is one of the most secure families of its kind on the market today, when used in the intended manner and under normal conditions.
- There are dishonest and possibly illegal methods used to breach the code protection feature. All of these methods, to our knowledge, require using the Microchip products in a manner outside the operating specifications contained in Microchip's Data Sheets. Most likely, the person doing so is engaged in theft of intellectual property.
- Microchip is willing to work with the customer who is concerned about the integrity of their code.
- Neither Microchip nor any other semiconductor manufacturer can guarantee the security of their code. Code protection does not mean that we are guaranteeing the product as “unbreakable.”

Code protection is constantly evolving. We at Microchip are committed to continuously improving the code protection features of our products. Attempts to break Microchip's code protection feature may be a violation of the Digital Millennium Copyright Act. If such acts allow unauthorized access to your software or other copyrighted work, you may have a right to sue for relief under that Act.

Information contained in this publication regarding device applications and the like is provided only for your convenience and may be superseded by updates. It is your responsibility to ensure that your application meets with your specifications. MICROCHIP MAKES NO REPRESENTATIONS OR WARRANTIES OF ANY KIND WHETHER EXPRESS OR IMPLIED, WRITTEN OR ORAL, STATUTORY OR OTHERWISE, RELATED TO THE INFORMATION, INCLUDING BUT NOT LIMITED TO ITS CONDITION, QUALITY, PERFORMANCE, MERCHANTABILITY OR FITNESS FOR PURPOSE. Microchip disclaims all liability arising from this information and its use. Use of Microchip devices in life support and/or safety applications is entirely at the buyer's risk, and the buyer agrees to defend, indemnify and hold harmless Microchip from any and all damages, claims, suits, or expenses resulting from such use. No licenses are conveyed, implicitly or otherwise, under any Microchip intellectual property rights unless otherwise stated.

Trademarks

The Microchip name and logo, the Microchip logo, AnyRate, AVR, AVR logo, AVR Freaks, BitCloud, CryptoMemory, CryptoRF, dsPIC, FlashFlex, flexPWR, Heldo, JukeBlox, KeeLoq, Kleer, LANCheck, LINK MD, maXStylus, maXTouch, MediaLB, megaAVR, MOST, MOST logo, MPLAB, OptoLyzer, PIC, picoPower, PICSTART, PIC32 logo, Prochip Designer, QTouch, SAM-BA, SpyNIC, SST, SST Logo, SuperFlash, tinyAVR, UNI/O, and XMEGA are registered trademarks of Microchip Technology Incorporated in the U.S.A. and other countries.

ClockWorks, The Embedded Control Solutions Company, EtherSynch, Hyper Speed Control, HyperLight Load, IntelliMOS, mTouch, Precision Edge, and Quiet-Wire are registered trademarks of Microchip Technology Incorporated in the U.S.A.

Adjacent Key Suppression, AKS, Analog-for-the-Digital Age, Any Capacitor, AnyIn, AnyOut, BodyCom, chipKIT, chipKIT logo, CodeGuard, CryptoAuthentication, CryptoAutomotive, CryptoCompanion, CryptoController, dsPICDEM, dsPICDEM.net, Dynamic Average Matching, DAM, ECAN, EtherGREEN, In-Circuit Serial Programming, ICSP, INICnet, Inter-Chip Connectivity, JitterBlocker, KleerNet, KleerNet logo, memBrain, Mindi, MiWi, motorBench, MPASM, MPF, MPLAB Certified logo, MPLIB, MPLINK, MultiTRAK, NetDetach, Omniscient Code Generation, PICDEM, PICDEM.net, PICKit, PICtail, PowerSmart, PureSilicon, QMatrix, REAL ICE, Ripple Blocker, SAM-ICE, Serial Quad I/O, SMART-I.S., SQI, SuperSwitcher, SuperSwitcher II, Total Endurance, TSHARC, USBCheck, VariSense, ViewSpan, WiperLock, Wireless DNA, and ZENA are trademarks of Microchip Technology Incorporated in the U.S.A. and other countries.

SQTP is a service mark of Microchip Technology Incorporated in the U.S.A.

Silicon Storage Technology is a registered trademark of Microchip Technology Inc. in other countries.

GestIC is a registered trademarks of Microchip Technology Germany II GmbH & Co. KG, a subsidiary of Microchip Technology Inc., in other countries.

All other trademarks mentioned herein are property of their respective companies.

© 2018, Microchip Technology Incorporated, All Rights Reserved.

ISBN: 9781522432975

QUALITY MANAGEMENT SYSTEM
CERTIFIED BY DNV
== ISO/TS 16949 ==

Microchip received ISO/TS-16949:2009 certification for its worldwide headquarters, design and wafer fabrication facilities in Chandler and Tempe, Arizona; Gresham, Oregon and design centers in California and India. The Company's quality system processes and procedures are for its PIC® MCUs and dsPIC® DSCs, KEELoq® code hopping devices, Serial EEPROMs, microperipherals, nonvolatile memory and analog products. In addition, Microchip's quality system for the design and manufacture of development systems is ISO 9001:2000 certified.



MICROCHIP

Worldwide Sales and Service

AMERICAS

Corporate Office
2355 West Chandler Blvd.
Chandler, AZ 85224-6199
Tel: 480-792-7200
Fax: 480-792-7277
Technical Support:
<http://www.microchip.com/support>
Web Address:
www.microchip.com

Atlanta
Duluth, GA
Tel: 678-957-9614
Fax: 678-957-1455

Austin, TX
Tel: 512-257-3370

Boston
Westborough, MA
Tel: 774-760-0087
Fax: 774-760-0088

Chicago
Itasca, IL
Tel: 630-285-0071
Fax: 630-285-0075

Dallas
Addison, TX
Tel: 972-818-7423
Fax: 972-818-2924

Detroit
Novi, MI
Tel: 248-848-4000

Houston, TX
Tel: 281-894-5983

Indianapolis
Noblesville, IN
Tel: 317-773-8323
Fax: 317-773-5453
Tel: 317-536-2380

Los Angeles
Mission Viejo, CA
Tel: 949-462-9523
Fax: 949-462-9608
Tel: 951-273-7800

Raleigh, NC
Tel: 919-844-7510

New York, NY
Tel: 631-435-6000

San Jose, CA
Tel: 408-735-9110
Tel: 408-436-4270

Canada - Toronto
Tel: 905-695-1980
Fax: 905-695-2078

ASIA/PACIFIC

Australia - Sydney
Tel: 61-2-9868-6733

China - Beijing
Tel: 86-10-8569-7000

China - Chengdu
Tel: 86-28-8665-5511

China - Chongqing
Tel: 86-23-8980-9588

China - Dongguan
Tel: 86-769-8702-9880

China - Guangzhou
Tel: 86-20-8755-8029

China - Hangzhou
Tel: 86-571-8792-8115

China - Hong Kong SAR
Tel: 852-2943-5100

China - Nanjing
Tel: 86-25-8473-2460

China - Qingdao
Tel: 86-532-8502-7355

China - Shanghai
Tel: 86-21-3326-8000

China - Shenyang
Tel: 86-24-2334-2829

China - Shenzhen
Tel: 86-755-8864-2200

China - Suzhou
Tel: 86-186-6233-1526

China - Wuhan
Tel: 86-27-5980-5300

China - Xian
Tel: 86-29-8833-7252

China - Xiamen
Tel: 86-592-2388138

China - Zhuhai
Tel: 86-756-3210040

ASIA/PACIFIC

India - Bangalore
Tel: 91-80-3090-4444

India - New Delhi
Tel: 91-11-4160-8631

India - Pune
Tel: 91-20-4121-0141

Japan - Osaka
Tel: 81-6-6152-7160

Japan - Tokyo
Tel: 81-3-6880-3770

Korea - Daegu
Tel: 82-53-744-4301

Korea - Seoul
Tel: 82-2-554-7200

Malaysia - Kuala Lumpur
Tel: 60-3-7651-7906

Malaysia - Penang
Tel: 60-4-227-8870

Philippines - Manila
Tel: 63-2-634-9065

Singapore
Tel: 65-6334-8870

Taiwan - Hsin Chu
Tel: 886-3-577-8366

Taiwan - Kaohsiung
Tel: 886-7-213-7830

Taiwan - Taipei
Tel: 886-2-2508-8600

Thailand - Bangkok
Tel: 66-2-694-1351

Vietnam - Ho Chi Minh
Tel: 84-28-5448-2100

EUROPE

Austria - Wels
Tel: 43-7242-2244-39
Fax: 43-7242-2244-393

Denmark - Copenhagen
Tel: 45-4450-2828
Fax: 45-4485-2829

Finland - Espoo
Tel: 358-9-4520-820

France - Paris
Tel: 33-1-69-53-63-20
Fax: 33-1-69-30-90-79

Germany - Garching
Tel: 49-8931-9700

Germany - Haan
Tel: 49-2129-3766400

Germany - Heilbronn
Tel: 49-7131-67-3636

Germany - Karlsruhe
Tel: 49-721-625370

Germany - Munich
Tel: 49-89-627-144-0
Fax: 49-89-627-144-44

Germany - Rosenheim
Tel: 49-8031-354-560

Israel - Ra'anana
Tel: 972-9-744-7705

Italy - Milan
Tel: 39-0331-742611
Fax: 39-0331-466781

Italy - Padova
Tel: 39-049-7625286

Netherlands - Drunen
Tel: 31-416-690399
Fax: 31-416-690340

Norway - Trondheim
Tel: 47-7289-7561

Poland - Warsaw
Tel: 48-22-3325737

Romania - Bucharest
Tel: 40-21-407-87-50

Spain - Madrid
Tel: 34-91-708-08-90
Fax: 34-91-708-08-91

Sweden - Gothenberg
Tel: 46-31-704-60-40

Sweden - Stockholm
Tel: 46-8-5090-4654

UK - Wokingham
Tel: 44-118-921-5800
Fax: 44-118-921-5820

Mouser Electronics

Authorized Distributor

Click to View Pricing, Inventory, Delivery & Lifecycle Information:

[Microchip:](#)

[USB5744/2G](#) [USB5744-I/2G](#) [USB5744T/2G](#) [USB5744T-I/2G](#)



Компания «ЭлектроПласт» предлагает заключение долгосрочных отношений при поставках импортных электронных компонентов на взаимовыгодных условиях!

Наши преимущества:

- Оперативные поставки широкого спектра электронных компонентов отечественного и импортного производства напрямую от производителей и с крупнейших мировых складов;
- Поставка более 17-ти миллионов наименований электронных компонентов;
- Поставка сложных, дефицитных, либо снятых с производства позиций;
- Оперативные сроки поставки под заказ (от 5 рабочих дней);
- Экспресс доставка в любую точку России;
- Техническая поддержка проекта, помощь в подборе аналогов, поставка прототипов;
- Система менеджмента качества сертифицирована по Международному стандарту ISO 9001;
- Лицензия ФСБ на осуществление работ с использованием сведений, составляющих государственную тайну;
- Поставка специализированных компонентов (Xilinx, Altera, Analog Devices, Intersil, Interpoint, Microsemi, Aeroflex, Peregrine, Syfer, Eurofarad, Texas Instrument, Miteq, Cobham, E2V, MA-COM, Hittite, Mini-Circuits, General Dynamics и др.);

Помимо этого, одним из направлений компании «ЭлектроПласт» является направление «Источники питания». Мы предлагаем Вам помощь Конструкторского отдела:

- Подбор оптимального решения, техническое обоснование при выборе компонента;
- Подбор аналогов;
- Консультации по применению компонента;
- Поставка образцов и прототипов;
- Техническая поддержка проекта;
- Защита от снятия компонента с производства.



Как с нами связаться

Телефон: 8 (812) 309 58 32 (многоканальный)

Факс: 8 (812) 320-02-42

Электронная почта: org@eplast1.ru

Адрес: 198099, г. Санкт-Петербург, ул. Калинина, дом 2, корпус 4, литера А.