

HRDB SERIES

Delay-on-Break Timer



Wiring Diagram



Description

The HRDB Series combines an electromechanical, relay output with microcontroller timing circuitry. The HRDB offers 12 to 230V operation in five options and factory fixed, external, or onboard adjustable time delays with a repeat accuracy of $\pm 0.5\%$. The isolated output contact rating allows for direct operation of heavy loads, such as compressors, pumps, blower motors, heaters, etc. The HRDB is ideal for OEM applications where cost is a factor.

Operation (Delay-on-Break)




Input voltage must be applied before and during timing. Upon closure of the initiate switch, the output relay energizes. The time delay begins when the initiate switch is opened. The output remains energized during timing. At the end of the time delay, the output de-energizes. The output will energize if the initiate switch is closed when input voltage is applied.

Reset: Reclosing the initiate switch during timing resets the time delay. Loss of input voltage resets the time delay and output.

Features & Benefits

| FEATURES | BENEFITS |
|--|---|
| Microcontroller based | Repeat Accuracy $\pm 0.5\%$ |
| Compact, low cost design | Allows flexibility for OEM applications |
| Isolated, 30A, SPDT, NO output contacts | Allows direct operation of heavy loads: compressors, pumps, blower motors, heaters. |

Accessories

- 
P1004-95, P1004-95-X Versa-Pot
 Panel mountable, industrial potentiometer recommended for remote time delay adjustment.
- 
P1023-6 Mounting bracket
 The 90° orientation of mounting slots makes installation/removal of modules quick and easy.
- 
P0700-7 Versa-Knob
 Designed for 0.25 in (6.35 mm) shaft of Versa-Pot. Semi-gloss industrial black finish.

Ordering Information

| MODEL | INPUT VOLTAGE | ADJUSTMENT | TIME TOLERANCE | TIME DELAY | MODEL | INPUT VOLTAGE | ADJUSTMENT | TIME TOLERANCE | TIME DELAY |
|------------|---------------|------------|----------------|------------|---------|---------------|------------|----------------|------------|
| HRDB1110M | 12VDC | Fixed | + / -5% | 10m | HRDB223 | 24VAC | Onboard | + / -5% | 0.1 - 10m |
| HRDB117S | 12VDC | Fixed | + / -5% | 7s | HRDB321 | 24VDC | Onboard | + / -5% | 1 - 100s |
| HRDB120 | 12VDC | Onboard | + / -5% | 0.1 - 10s | HRDB324 | 24VDC | Onboard | + / -5% | 1 - 100m |
| HRDB121 | 12VDC | Onboard | + / -5% | 1 - 100s | HRDB423 | 120VAC | Onboard | + / -5% | 0.1 - 10m |
| HRDB124 | 12VDC | Onboard | + / -5% | 1 - 100m | HRDB623 | 230VAC | Onboard | + / -5% | 0.1 - 10m |
| HRDB21A65M | 24VAC | Fixed | + / -1% | 65m | | | | | |

If you don't find the part you need, call us for a custom product 800-843-8848

Time Delay Relays

Dedicated - Delay-on-Break

HRDB SERIES

Accessories



P1015-13 (AWG 10/12), **P1015-64** (AWG 14/16)
Female Quick Connect
 These 0.25 in. (6.35 mm) female terminals are constructed with an insulator barrel to provide strain relief.



P1015-18 Quick Connect to Screw Adapter
 Screw adapter terminal designed for use with all modules with 0.25 in. (6.35 mm) male quick connect terminals.



C103PM (AL) DIN Rail
 35 mm aluminum DIN rail available in a 36 in. (91.4 cm) length.



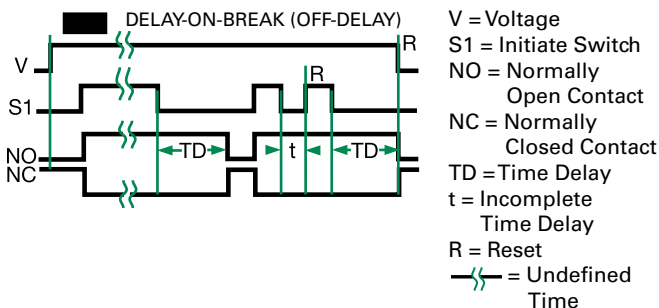
P1023-20 DIN Rail Adapter
 Allows module to be mounted on a 35 mm DIN type rail with two #10 screws.

External Resistance vs. Time Delay



This chart applies to externally adjustable part numbers. The time delay is adjustable over the time delay range selected by varying the resistance across the R_T terminals; as the resistance increases the time delay increases. When selecting an external R_T , add the tolerances of the timer and the R_T for the full time range adjustment.
Examples: 1 to 50 S adjustable time delay, select time delay range 1 and a 50 K ohm R_T . For 1 to 100 S use a 100 K ohm R_T .

Function Diagram



Specifications

Time Delay

Type Microcontroller circuitry
Range 0.1s - 100m in 5 adjustable ranges or fixed $\pm 0.5\%$ or 20ms, whichever is greater
Repeat Accuracy

Tolerance

(Factory Calibration) $\pm 1\%$, $\pm 5\%$
Reset Time $\leq 150\text{ms}$
Initiate Time $\leq 20\text{ms}$

Time Delay vs Temp. & Voltage

$\pm 2\%$

Input

Voltage 12 or 24VDC; 24, 120, or 230VAC

Tolerance

12VDC & 24VDC -15% - 20%
24 to 230VAC -20% - 10%

AC Line Frequency

50/60 Hz

Power Consumption

AC $\leq 4\text{VA}$; DC $\leq 2\text{W}$

Output

Type Electromechanical relay
Form Isolated, SPDT

Ratings

| | SPDT-NO | SPDT-NC |
|------------------------|----------------|----------|
| General Purpose | 125/240VAC 30A | 15A |
| Resistive | 125/240VAC 30A | 15A |
| | 28VDC 20A | 10A |
| Motor Load | 125VAC 1 hp* | 1/4 hp** |
| | 240VAC 2 hp** | 1 hp** |

Life

Mechanical - 1×10^6 ;
 Electrical - 1×10^5 , * 3×10^4 , **6,000

Protection

Surge IEEE C62.41-1991 Level A
Circuitry Encapsulated
Dielectric Breakdown $\geq 2000\text{V RMS}$ terminals to mounting surface
Insulation Resistance $\geq 100\text{ M}\Omega$
Polarity DC units are reverse polarity protected

Mechanical

Mounting Surface mount with one #10 (M5 x 0.8) screw
H 50.8 mm (2"); **W** 50.8 mm (2");
D 38.1 mm (1.51")
Dimensions 0.25 in. (6.35 mm) male quick connect terminals

Termination

Environmental

Operating/Storage

Temperature -40° to 60°C / -40° to 85°C
Humidity 95% relative, non-condensing
Weight $\approx 3.9\text{ oz}$ (111 g)



Компания «ЭлектроПласт» предлагает заключение долгосрочных отношений при поставках импортных электронных компонентов на взаимовыгодных условиях!

Наши преимущества:

- Оперативные поставки широкого спектра электронных компонентов отечественного и импортного производства напрямую от производителей и с крупнейших мировых складов;
- Поставка более 17-ти миллионов наименований электронных компонентов;
- Поставка сложных, дефицитных, либо снятых с производства позиций;
- Оперативные сроки поставки под заказ (от 5 рабочих дней);
- Экспресс доставка в любую точку России;
- Техническая поддержка проекта, помощь в подборе аналогов, поставка прототипов;
- Система менеджмента качества сертифицирована по Международному стандарту ISO 9001;
- Лицензия ФСБ на осуществление работ с использованием сведений, составляющих государственную тайну;
- Поставка специализированных компонентов (Xilinx, Altera, Analog Devices, Intersil, Interpoint, Microsemi, Aeroflex, Peregrine, Syfer, Eurofarad, Texas Instrument, Miteq, Cobham, E2V, MA-COM, Hittite, Mini-Circuits, General Dynamics и др.);

Помимо этого, одним из направлений компании «ЭлектроПласт» является направление «Источники питания». Мы предлагаем Вам помощь Конструкторского отдела:

- Подбор оптимального решения, техническое обоснование при выборе компонента;
- Подбор аналогов;
- Консультации по применению компонента;
- Поставка образцов и прототипов;
- Техническая поддержка проекта;
- Защита от снятия компонента с производства.



Как с нами связаться

Телефон: 8 (812) 309 58 32 (многоканальный)

Факс: 8 (812) 320-02-42

Электронная почта: org@eplast1.ru

Адрес: 198099, г. Санкт-Петербург, ул. Калинина, дом 2, корпус 4, литера А.