

# Spread-Spectrum Crystal Multiplier

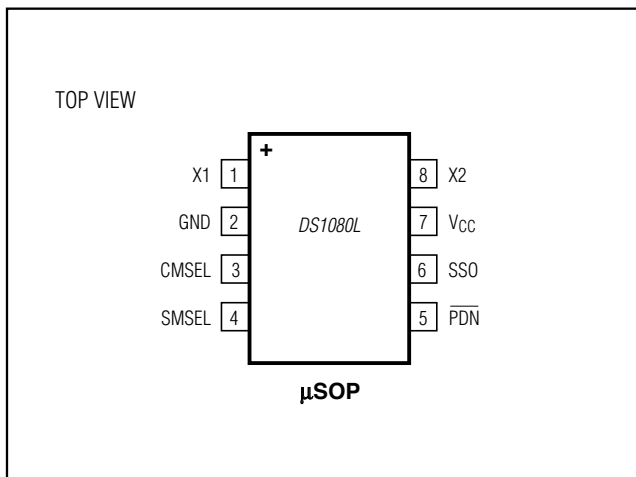
## General Description

The DS1080L is a low-jitter, crystal-based clock generator with an integrated phase-locked loop (PLL) to generate spread-spectrum clock outputs from 16MHz to 134MHz. The device is pin-programmable to select the clock multiplier rate as well as the dither magnitude. The DS1080L has a spread-spectrum disable mode and a power-down mode to conserve power.

## Applications

Automotive  
Cable Modems  
Cell Phones  
Computer Peripherals  
Copiers  
Infotainment  
PCs  
Printers

## Pin Configuration



## Features

- ◆ Generates Spread-Spectrum Clocks from 16MHz to 134MHz
- ◆ Selectable Clock Multiplier Rates of 1x, 2x, and 4x
- ◆ Center Spread-Spectrum Dithering
- ◆ Selectable Spread-Spectrum Modulation Magnitudes of  $\pm 0.5\%$ ,  $\pm 1.0\%$ , and  $\pm 1.5\%$
- ◆ Spread-Spectrum Disable Mode
- ◆ Low Cycle-to-Cycle Jitter
- ◆ Power-Down Mode with High-Impedance Output
- ◆ Low Power Consumption
- ◆ 3.0V to 3.6V Single-Supply Operation
- ◆  $-40^{\circ}\text{C}$  to  $+125^{\circ}\text{C}$  Temperature Operation
- ◆ Small 8-Lead  $\mu\text{SOP}$  Package

## Ordering Information

PART	TEMP RANGE	PIN-PACKAGE
DS1080LU+	$-40^{\circ}\text{C}$ to $+125^{\circ}\text{C}$	8 $\mu\text{SOP}$
DS1080LU/V+	$-40^{\circ}\text{C}$ to $+125^{\circ}\text{C}$	8 $\mu\text{SOP}$
DS1080LU/V+T	$-40^{\circ}\text{C}$ to $+125^{\circ}\text{C}$	8 $\mu\text{SOP}$
DS1080LU+T	$-40^{\circ}\text{C}$ to $+125^{\circ}\text{C}$	8 $\mu\text{SOP}$

+ Denotes a lead(Pb)-free/RoHS-compliant package.  
/V denotes an automotive qualified part.  
T = Tape and reel.

# DS1080L

## Spread-Spectrum Crystal Multiplier

### ABSOLUTE MAXIMUM RATINGS

Voltage on V<sub>CC</sub> Relative to GND .....-0.3V to +4.3V  
 Voltage on Any Lead Relative to GND .....-0.3V to (V<sub>CC</sub> + 0.3V), not to exceed +4.3V  
 Continuous Power Dissipation (T<sub>A</sub> = +70°C)  
 μSOP (derate 4.5mW/°C above +70°C).....362mW

Operating Temperature Range .....-40°C to +125°C  
 Storage Temperature Range .....-55°C to +125°C  
 Lead Temperature (soldering, 10s) .....+300°C  
 Soldering Temperature (reflow) .....+260°C

*Stresses beyond those listed under "Absolute Maximum Ratings" may cause permanent damage to the device. These are stress ratings only, and functional operation of the device at these or any other conditions beyond those indicated in the operational sections of the specifications is not implied. Exposure to absolute maximum rating conditions for extended periods may affect device reliability.*

### RECOMMENDED OPERATING CONDITIONS

(T<sub>A</sub> = -40°C to +125°C, unless otherwise noted.)

PARAMETER	SYMBOL	CONDITIONS	MIN	TYP	MAX	UNITS
Supply Voltage	V <sub>CC</sub>	(Note 1)	3.0		3.6	V
Input Logic 1	V <sub>IH</sub>		0.8 x V <sub>CC</sub>		V <sub>CC</sub> + 0.3	V
Input Logic 0	V <sub>IL</sub>		V <sub>GND</sub> - 0.3		0.2 x V <sub>CC</sub>	V
Input Logic Open	I <sub>IF</sub>	0V < V <sub>IN</sub> < V <sub>CC</sub> (Note 2)			±1	μA
Input Leakage	I <sub>IL</sub>	0V < V <sub>IN</sub> < V <sub>CC</sub> (Note 3)			±80	μA
SSO Load	C <sub>SSO</sub>	f <sub>SSO</sub> < 67MHz			15	pF
		67MHz ≤ f <sub>SSO</sub> < 101MHz			10	
		101MHz ≤ f <sub>SSO</sub> < 134MHz			7	
Crystal or Clock Input Frequency	f <sub>IN</sub>		16.0		33.4	MHz
Crystal ESR	X <sub>ESR</sub>				90	Ω
Clock Input Duty Cycle	F <sub>INDC</sub>		40		60	%
Crystal Parallel Load Capacitance	C <sub>L</sub>	(Note 4)			18	pF

### DC ELECTRICAL CHARACTERISTICS

(V<sub>CC</sub> = +3.0V to +3.6V, T<sub>A</sub> = -40°C to +125°C, unless otherwise noted.)

PARAMETER	SYMBOL	CONDITIONS	MIN	TYP	MAX	UNITS
Supply Current	I <sub>CC1</sub>	C <sub>SSO</sub> = 15pF, SSO = 16MHz			15	mA
Power-Down Current	I <sub>CCQ</sub>	$\overline{\text{PDN}}$ = GND, all input pins open			200	μA
Output Leakage (SSO)	I <sub>OZ</sub>	$\overline{\text{PDN}}$ = GND	-1		+1	μA
Low-Level Output Voltage (SSO)	V <sub>OL</sub>	I <sub>OL</sub> = 4mA			0.4	V
High-Level Output Voltage (SSO)	V <sub>OH</sub>	I <sub>OH</sub> = -4mA	2.4			V
Input Capacitance (X1/X2)	C <sub>IN</sub>	(Note 5)		5		pF

## Spread-Spectrum Crystal Multiplier

### AC ELECTRICAL CHARACTERISTICS

( $V_{CC} = +3.0$  to  $+3.6V$ ,  $T_A = -40^{\circ}C$  to  $+125^{\circ}C$ , unless otherwise noted.)

PARAMETER	SYMBOL	CONDITIONS	MIN	TYP	MAX	UNITS
SSO Duty Cycle	SSODC	Measured at $V_{CC}/2$ , CMSEL = 0 or open	40		60	%
		Measured at $V_{CC}/2$ , CMSEL = 1	30		70	
Rise Time	$t_R$	(Note 6)		1.6		ns
Fall Time	$t_F$	(Note 6)		1.6		ns
Peak Cycle-to-Cycle Jitter	$t_J$	$f_{SSO} = 16MHz$ , $T_A = -40$ to $+85^{\circ}C$ , 10,000 cycles (Note 5)		75		ps
Power-Up Time	$t_{POR}$	$\overline{PDN}$ pin (Note 7)	16MHz		20	ms
			33.4MHz		11	
Power-Down Time	$t_{\overline{PDN}}$	$\overline{PDN}$ pin (Notes 8 and 9)			100	ns
Dither Rate	$f_{DITHER}$	(Note 9)		$f_{IN}/992$		

**Note 1:** All voltages referenced to ground.

**Note 2:** Maximum source/sink current applied to input to be considered an open. Typical voltage range between  $0.4 \times V_{CC}$  and  $0.55 \times V_{CC}$ .

**Note 3:** Applicable to pins CMSEL, SMSEL, and  $\overline{PDN}$ .

**Note 4:** See information about  $C_{L1}$  and  $C_{L2}$  in the *Applications Information* section at the end of the data sheet.

**Note 5:** Not production tested.

**Note 6:** For 7pF load.

**Note 7:** Time between  $\overline{PDN}$  deasserted to output active.

**Note 8:** Time between  $\overline{PDN}$  asserted to output high impedance.

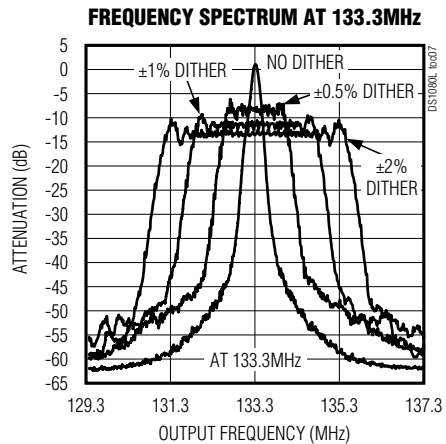
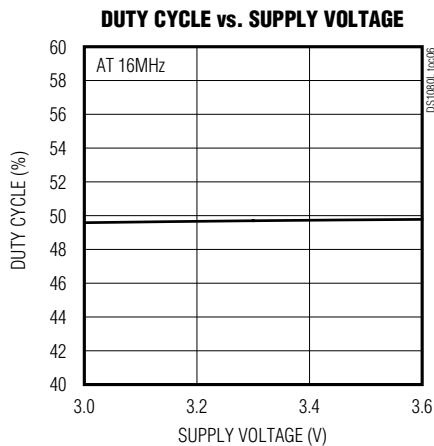
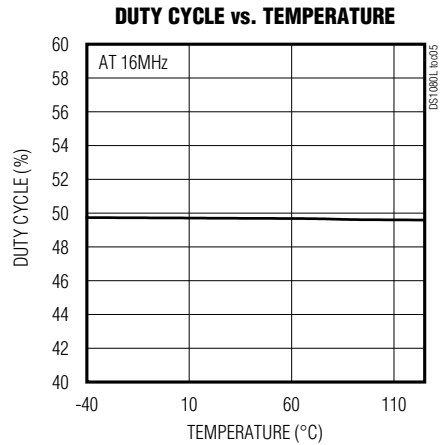
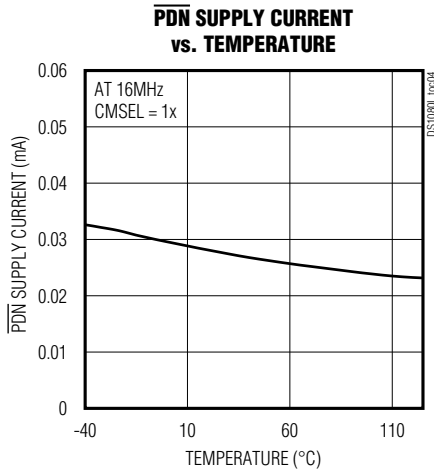
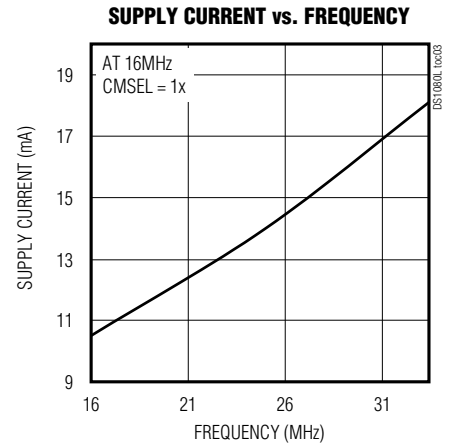
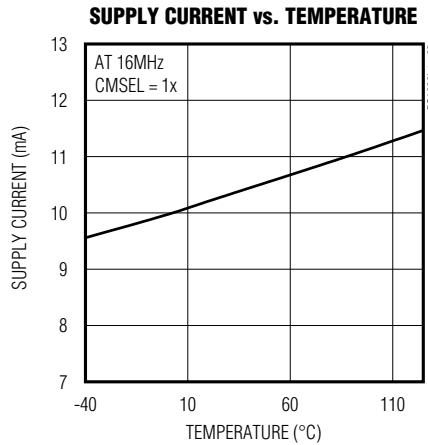
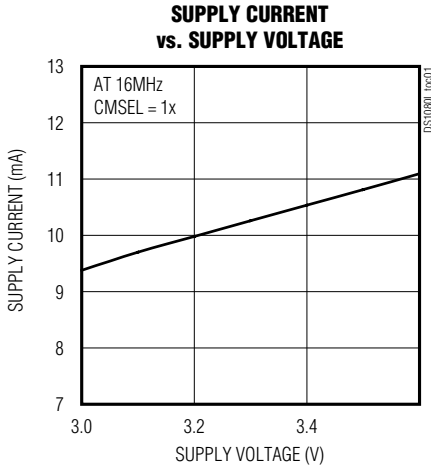
**Note 9:** Guaranteed by design.

# DS1080L

## Spread-Spectrum Crystal Multiplier

### Typical Operating Characteristics

( $V_{CC} = 3.3V$ ,  $T_A = +25^\circ C$ , unless otherwise noted.)

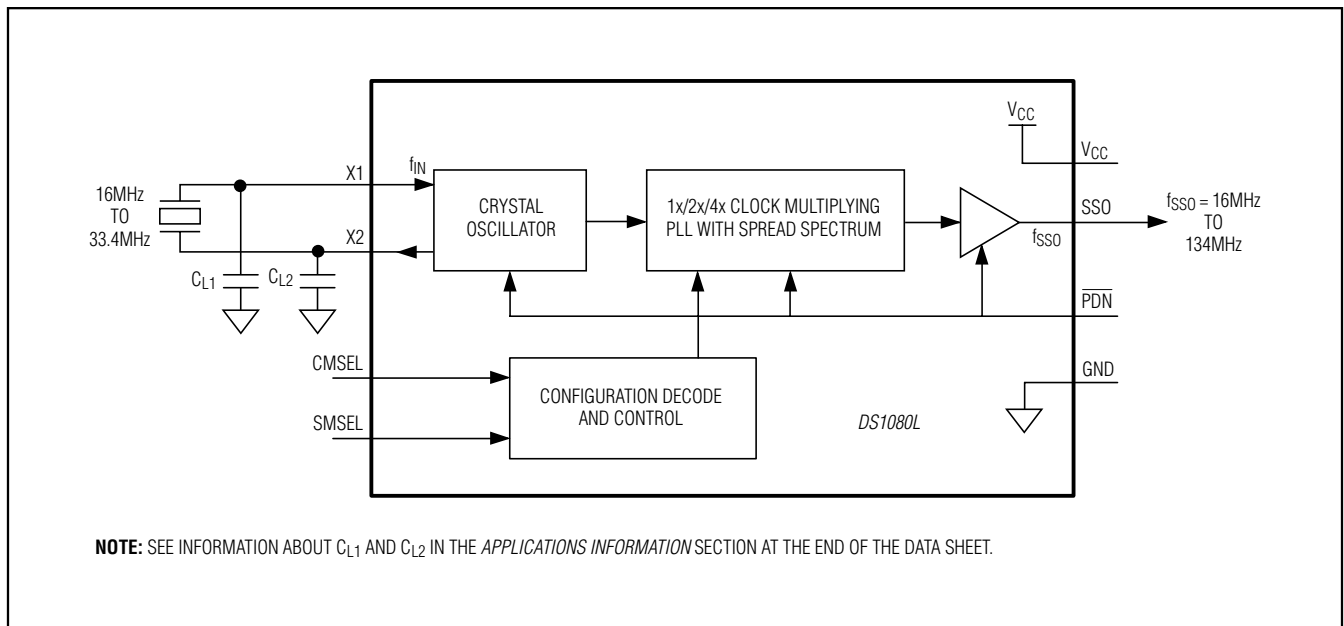


## Spread-Spectrum Crystal Multiplier

### Pin Description

PIN	NAME	FUNCTION
1	X1	Crystal Drive/Clock Input. A crystal with the proper loading capacitors is connected across X1 and X2. Instead of a crystal, a clock can be applied at the X1 input.
2	GND	Signal Ground
3	CMSEL	Clock Multiplier Select. Tri-level digital input. 0 = 1x Open = 2x 1 = 4x
4	SMSEL	Spread-Spectrum Magnitude Select. Tri-level digital input. 0 = $\pm 0.5\%$ Open = $\pm 1.0\%$ 1 = $\pm 1.5\%$
5	$\overline{\text{PDN}}$	Power-Down/Spread-Spectrum Disable. Tri-level digital input. 0 = Power-Down/SSO Three-States Open = Power-Up/Spread Spectrum Disabled 1 = Power-Up/Spread Spectrum Enabled
6	SSO	Spread-Spectrum Clock Multiplier Output. Outputs a 1x, 2x, or 4x spread-spectrum version of the crystal or clock applied at the X1/X2 pins.
7	VCC	Supply Voltage
8	X2	Crystal Drive Output. A crystal with the proper loading capacitors is connected across X1 and X2. If a clock is connected to X1, then X2 should be left open circuit.

### Block Diagram



# DS1080L

## Spread-Spectrum Crystal Multiplier

### Detailed Description

The DS1080L is a crystal multiplier with center spread-spectrum capability. A 16MHz to 33.4MHz crystal is connected to the X1 and X2 pins. Alternately, a 16MHz to 33.4MHz clock can be applied to X1 in place of the crystal. In such applications, X2 would be left open circuit. Using the CMSEL input, the user selects whether the attached crystal or input clock is multiplied by 1, 2, or 4. The DS1080L is capable of generating spread-spectrum clocks from 16MHz to 134MHz.

The PLL can dither the output clock about its center frequency at a user-selectable magnitude. Using the SMSEL input, the user selects the dither magnitude. The PDN input can be used to place the device into a low-power standby mode where the SSO output is tristated. If the PDN pin is open, the SSO output is active but the spread-spectrum dithering is disabled. The spread-spectrum dither rate is fixed at  $f_{IN} / 992$  to keep the dither rate above the audio frequency range. On power-up, the output clock (SSO) remains three-stated until the PLL reaches a stable frequency ( $f_{SSO}$ ) and dither ( $f_{DITHER}$ ).

### Applications Information

#### Crystal Selection

The DS1080L requires a parallel resonating crystal operating in the fundamental mode, with an ESR of less than  $90\Omega$ . The crystal should be placed very close to the device to minimize excessive loading due to parasitic capacitances.

#### Oscillator Input

When driving the DS1080L using an external oscillator clock, consider the input (X1) to be high impedance.

#### Crystal Capacitor Selection

The load capacitors  $C_{L1}$  and  $C_{L2}$  are selected based on the crystal specifications (from the data sheet of the crystal used). The crystal parallel load capacitance is calculated as follows:

$$C_L = \frac{C_{L1} \times C_{L2}}{C_{L1} + C_{L2}} + C_{IN} \quad \text{Equation 1}$$

For the DS1080L use  $C_{L1} = C_{L2} = C_{LX}$ .

In this case, the equation then reduces to:

$$C_L = \frac{C_{LX}}{2} + C_{IN} \quad \text{Equation 2}$$

where  $C_{L1} = C_{L2} = C_{LX}$ .

Equation 2 is used to calculate the values of  $C_{L1}$  and  $C_{L2}$  based on values on  $C_L$  and  $C_{IN}$  noted in the data sheet electrical specifications.

#### Power-Supply Decoupling

To achieve best results, it is highly recommended that a decoupling capacitor is used on the IC power-supply pins. Typical values of decoupling capacitors are  $0.001\mu\text{F}$  and  $0.1\mu\text{F}$ . Use a high-quality, ceramic, surface-mount capacitor, and mount it as close as possible to the  $V_{CC}$  and GND pins of the IC to minimize lead inductance.

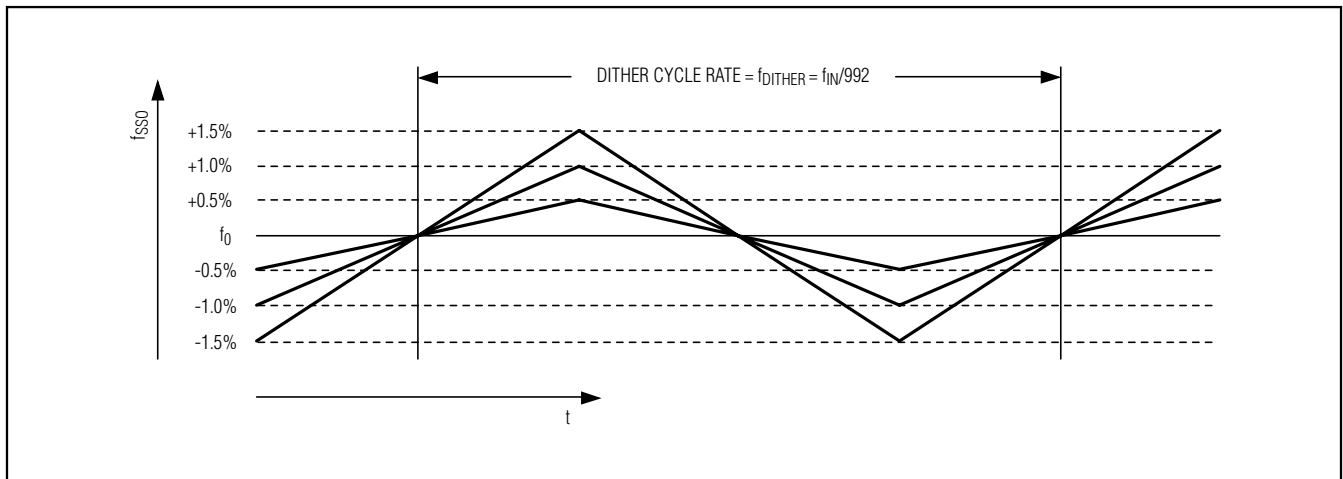
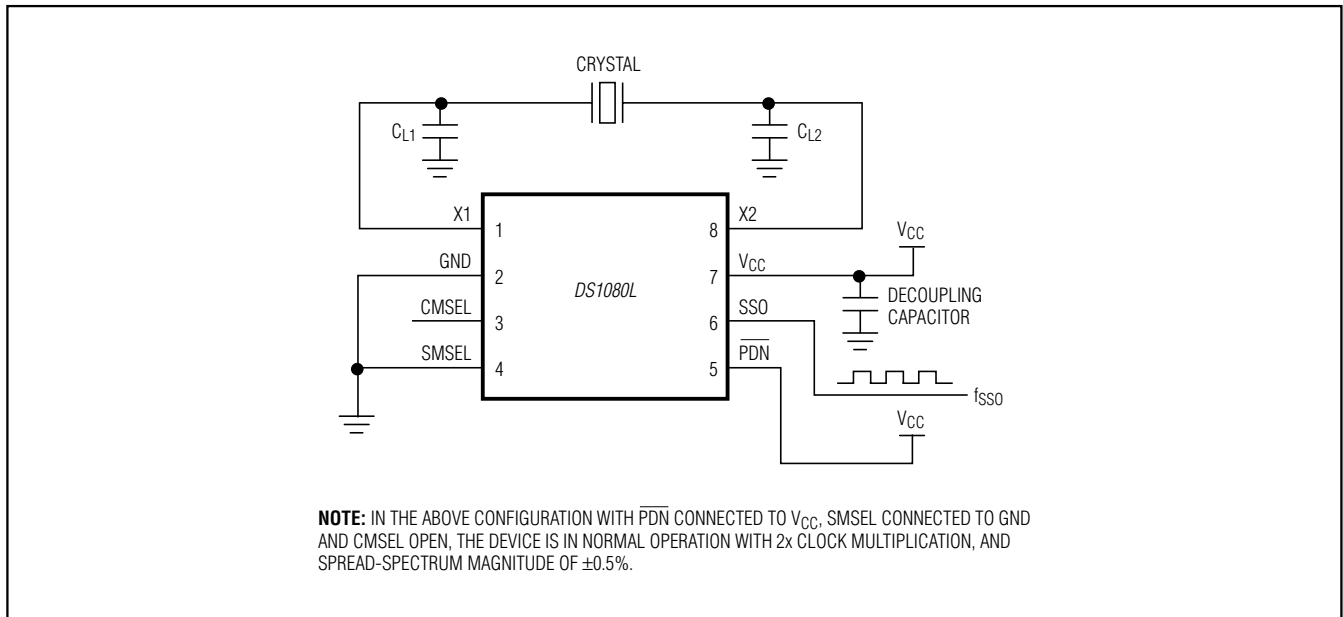


Figure 1. Spread-Spectrum Frequency Modulation

## Spread-Spectrum Crystal Multiplier

### Typical Operating Circuit



### Layout Considerations

As noted earlier, the crystal should be placed very close to the device to minimize excessive loading due to parasitic capacitances. Care should also be taken to minimize loading on pins that could be open as a programming option ( $\overline{\text{SMSEL}}$  and  $\overline{\text{CMSEL}}$ ). Coupling on inputs due to clocks should be minimized.

### Package Information

For the latest package outline information and land patterns (footprints), go to [www.maximintegrated.com/packages](http://www.maximintegrated.com/packages). Note that a "+", "#", or "-" in the package code indicates RoHS status only. Package drawings may show a different suffix character, but the drawing pertains to the package regardless of RoHS status.

PACKAGE TYPE	PACKAGE CODE	OUTLINE NO.	LAND PATTERN NO.
8 $\mu$ SOP	U8+1	<a href="#">21-0036</a>	<a href="#">90-0092</a>

# DS1080L

## Spread-Spectrum Crystal Multiplier

### Revision History

REVISION NUMBER	REVISION DATE	DESCRIPTION	PAGES CHANGED
0	11/05	Initial release	—
1	3/06	Changed $V_{IHMIN}$ from $0.7V \times V_{CC}$ to $0.08V \times V_{CC}$ and $V_{ILMAX}$ from $0.3 \times V_{CC}$ to $0.2V \times V_{CC}$ in the <i>Recommended Operating Conditions</i> table	2
2	10/09	Changed the part number in the <i>Ordering Information</i> table	1
3	10/11	Updated the <i>Ordering Information</i> table and <i>Absolute Maximum Ratings</i> section; added the land pattern no. to the <i>Package Information</i> table	1, 2, 7
4	5/12	Clarified SSODC conditions and split limits based upon CMSEL input state	3
5	3/13	Updated the voltage ranges in the <i>Absolute Maximum Ratings</i> ; changed the supply current parameter from 13mA (max) to 15mA (max) in the <i>DC Electrical Characteristics</i> table; changed the dither rate parameter from $f_{IN}/1024$ to $f_{IN}/992$ in the <i>AC Electrical Characteristics</i> table; updated all graphs in the <i>Typical Operating Characteristics</i> section	2, 3, 4



Maxim Integrated cannot assume responsibility for use of any circuitry other than circuitry entirely embodied in a Maxim Integrated product. No circuit patent licenses are implied. Maxim Integrated reserves the right to change the circuitry and specifications without notice at any time. The parametric values (min and max limits) shown in the Electrical Characteristics table are guaranteed. Other parametric values quoted in this data sheet are provided for guidance.





Компания «ЭлектроПласт» предлагает заключение долгосрочных отношений при поставках импортных электронных компонентов на взаимовыгодных условиях!

Наши преимущества:

- Оперативные поставки широкого спектра электронных компонентов отечественного и импортного производства напрямую от производителей и с крупнейших мировых складов;
- Поставка более 17-ти миллионов наименований электронных компонентов;
- Поставка сложных, дефицитных, либо снятых с производства позиций;
- Оперативные сроки поставки под заказ (от 5 рабочих дней);
- Экспресс доставка в любую точку России;
- Техническая поддержка проекта, помощь в подборе аналогов, поставка прототипов;
- Система менеджмента качества сертифицирована по Международному стандарту ISO 9001;
- Лицензия ФСБ на осуществление работ с использованием сведений, составляющих государственную тайну;
- Поставка специализированных компонентов (Xilinx, Altera, Analog Devices, Intersil, Interpoint, Microsemi, Aeroflex, Peregrine, Syfer, Eurofarad, Texas Instrument, Miteq, Cobham, E2V, MA-COM, Hittite, Mini-Circuits, General Dynamics и др.);

Помимо этого, одним из направлений компании «ЭлектроПласт» является направление «Источники питания». Мы предлагаем Вам помощь Конструкторского отдела:

- Подбор оптимального решения, техническое обоснование при выборе компонента;
- Подбор аналогов;
- Консультации по применению компонента;
- Поставка образцов и прототипов;
- Техническая поддержка проекта;
- Защита от снятия компонента с производства.



#### Как с нами связаться

**Телефон:** 8 (812) 309 58 32 (многоканальный)

**Факс:** 8 (812) 320-02-42

**Электронная почта:** [org@eplast1.ru](mailto:org@eplast1.ru)

**Адрес:** 198099, г. Санкт-Петербург, ул. Калинина, дом 2, корпус 4, литера А.