



**SURFACE MOUNT  
HIGH REPEATABILITY  
SPDT, BROADBAND 18 GHZ  
40GBPS  
MAGNETIC-LATCHING RF RELAY**



SERIES	RELAY TYPE
GRF121	RF Magnetic-Latching, SPDT, Common Coil Negative, Surface Mount Relay
GRF121R	RF Magnetic-Latching, SPDT, Common Coil Positive, Surface Mount Relay

**DESCRIPTION**

The ultraminiature Series GRF121/GRF121R is designed to provide a practical surface-mount switching solution with RF performance and repeatability to 18GHz. The GRF121/GRF121R improves on Teledyne Relays' heritage of miniature RF relays by incorporating a precision transmission line structure in the internal construction of the contact system. GRF121/GRF121R relays feature a unique ground shield to facilitate surface mounting and to extend the frequency range when compared to through-hole solutions.

These relays are designed for use in RF attenuators, RF switch matrices, high frequency spread spectrum radios, ATE, and other applications that require dependable high frequency signal fidelity and performance. The magnetic-latching GRF121/GRF121R is suitable for applications where power budget is restricted. The relays can be operated with a short duration pulse. After the contacts have transferred, no external holding power is required.

The GRF121/GRF121R features:

- High Repeatability
- Wide Bandwidth Performance
- Higher Isolation Between Each Signal Path
- Metal Enclosure for EMI Shielding
- High Isolation Between Control and Signal Paths
- High Resistance to ESD

The unique construction features and manufacturing techniques provide excellent robustness for environmental extremes and overall reliability:

- Minimum mass components and welded construction provide maximum resistance to shock and vibration
- Advanced cleaning techniques provide maximum assurance of internal cleanliness
- Gold-plated precious metal alloy contacts ensure reliable switching
- Hermetic Seal
- RoHS Compliant

ENVIRONMENTAL AND PHYSICAL SPECIFICATIONS		
<b>Temperature</b> (Ambient)	Storage	-55°C to +125°C
	Operating	-55°C to +85°C
<b>Vibration</b> (General Note 3)		10 g's 10 to 3000 Hz
<b>Shock</b> (General Note 3)		30 g's, 6ms half sine
<b>Enclosure</b>		Hermetically sealed

Teledyne Part Numbering System for GRF121/GRF121R

GRF121 - 12

**Relay Series**  GRF121  
 GRF121R

**Coil Voltage**  
 5 = 5Vdc  
 12 = 12Vdc

# Series GRF121/GRF121R

SPDT Magnetic-Latching  
DC-18GHz RF Relay  
40Gbps



**TELEDYNE  
RELAYS**  
Everywhereyoulook™

## SERIES GRF121/GRF121R GENERAL ELECTRICAL SPECIFICATIONS (@ 25°C)

<b>Contact Arrangement</b>	1 Form C (SPDT), with open contact grounded to case
<b>Rated Duty</b>	Continuous
<b>Contact Load Rating</b>	Resistive: 0.25A @ 28Vdc
<b>Contact Life Rating</b>	3,000,000 cycles typical at low level
<b>Coil Operating Power</b>	GRF121-5/GRF121R-5: 410mW typical @ nominal rated voltage GRF121-12/GRF121R-12: 290mW typical @ nominal rated voltage
<b>Switching Time</b>	7.0 msec. max. (2 msec operate time, 5 msec bounce time)
<b>Minimum Operate Pulse</b>	6.0 msec width at rated voltage
<b>Insulation Resistance</b>	1,000MΩ min. between mutually isolated terminals
<b>Dielectric Strength</b>	350 Vrms (60Hz) @ Atmospheric Pressure
<b>Propagation Delay</b>	54-60 ps typical

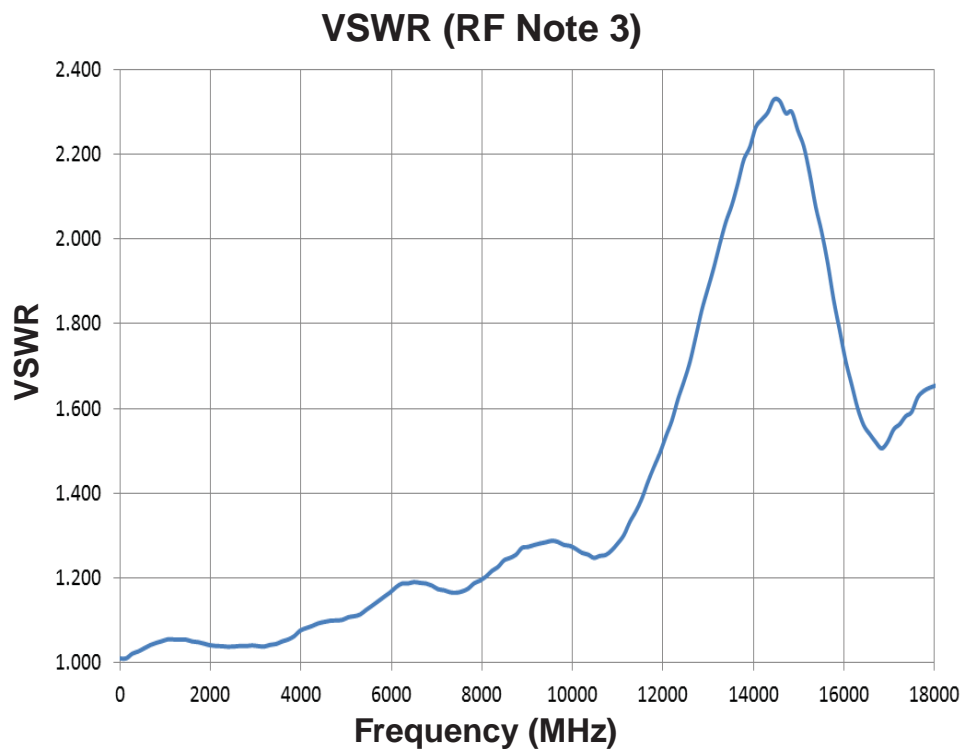
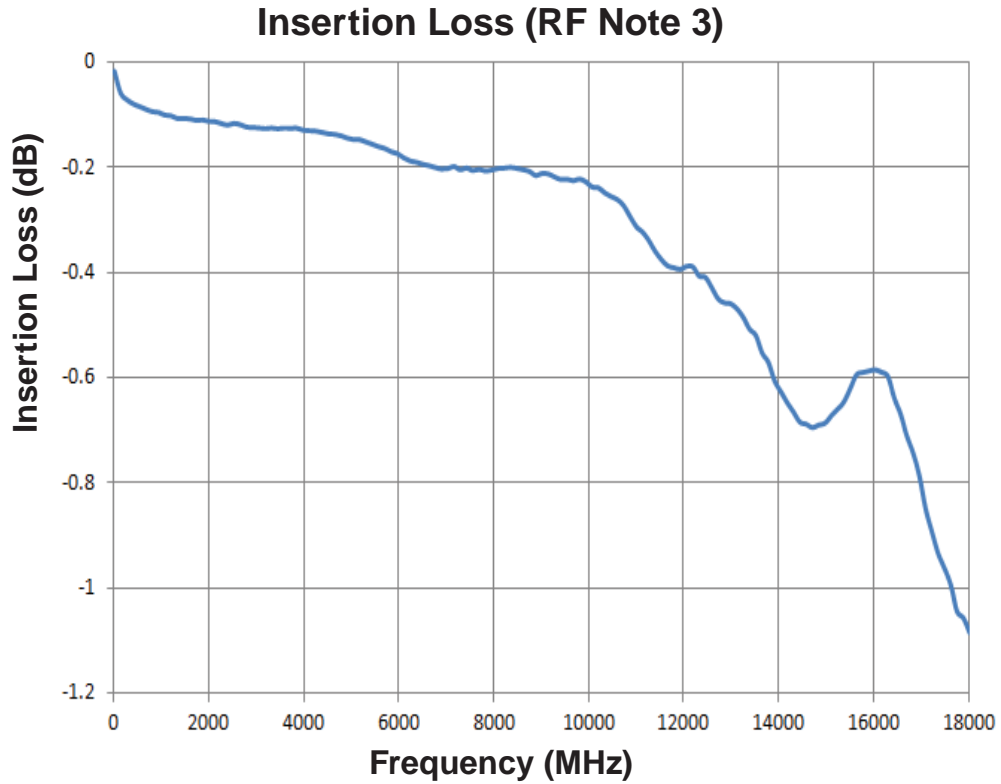
## DETAILED ELECTRICAL SPECIFICATIONS (@25°C)

BASE PART NUMBERS	GRF121-5/GRF121R-5	GRF121-12/GRF121R-12
<b>Coil Voltage, Nominal (Vdc)</b>	5.0	12.0
<b>Coil Resistance (Ohms ±20%)</b>	61	500
<b>Pick-up Voltage, Max (Vdc) (General Note 5)</b>	4.3	10.4

## GENERAL NOTES

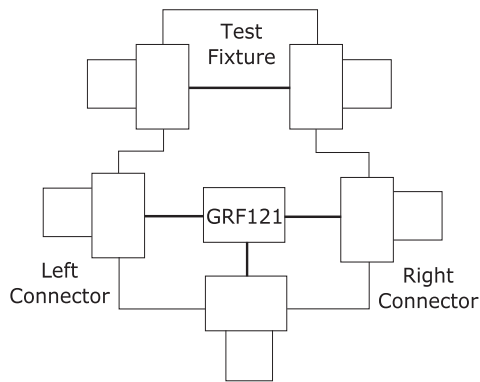
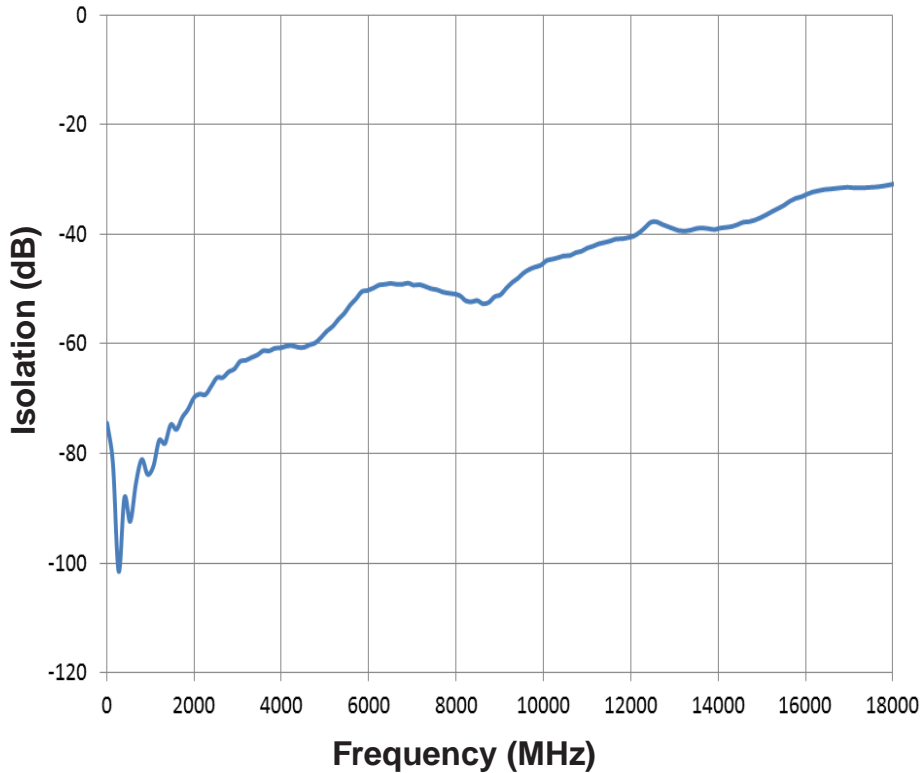
1. Characteristics shown as "typical" are based on available data and are best estimates. No ongoing verification tests are performed.
2. Unless otherwise specified, parameters are initial values.
3. Relay contacts will exhibit no chatter in excess of 10 μsec or transfer in excess of 1 μsec.
4. Relay leads are gold plated with a typical thickness of 25-40 μin. Ground shield is gold plated with a typical thickness of 10-30 μin.
5. Operate voltage at less than the specified minimum may result in unreliable operation.
6. Relay temperature during soldering shall not exceed 250°C, and reflow temperature shall not exceed 250°C, 3 passes, 1 minute each.

**SERIES GRF121/GRF121R**  
**TYPICAL RF CHARACTERISTICS (See RF Notes)**



**SERIES GRF121/GRF121R**  
**TYPICAL RF CHARACTERISTICS (See RF Notes)**

**Isolation (RF Note 4)**



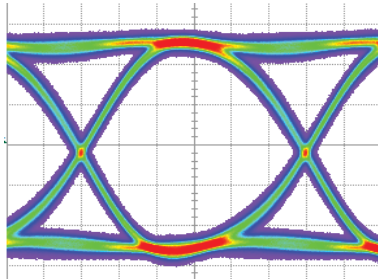
**GRF121/GRF121R Test Evaluation Board**

**RF NOTES**

1. Test conditions:
  - a. Fixture: .031" copper clad, gold plated, reinforced Rogers Corporation 4350B High Frequency Laminate with SMA connectors.
  - b. Room ambient temperature.
  - c. Unused Terminals were terminated with 50-ohm load.
  - d. Contact signal level: -10 dBm.
  - e. No. of test samples: 2.
2. Data presented herein represents typical characteristics and is not intended for use as specification limits.
3. Data is the average from readings taken on all closed contacts.
4. Data is the average from readings taken on all open contacts.
5. Test fixture effect de-embedded from frequency response data.

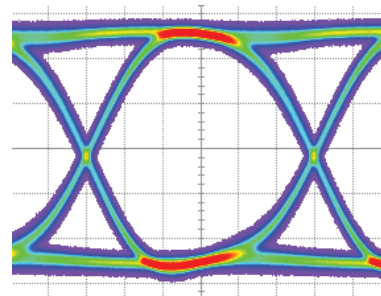
**SERIES GRF121/GRF121R**  
**TYPICAL SIGNAL INTEGRITY CHARACTERISTICS**

**GRF121/GRF121R @ 16Gbps**

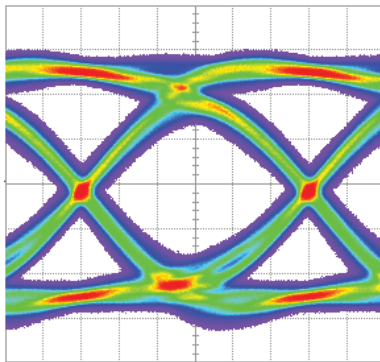


Bit Rate	Eye Height	Eye Width	Jitter <sub>P,P</sub>
16 Gbps	203 mV	49.92 ps	4.99 ps

**Reference @ 16Gbps**

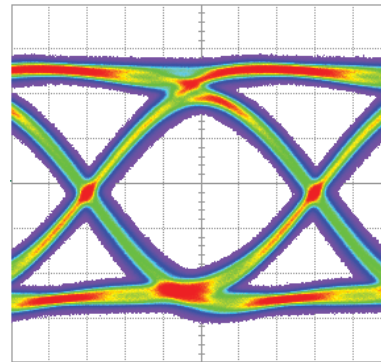


**GRF121/GRF121R @ 28Gbps**

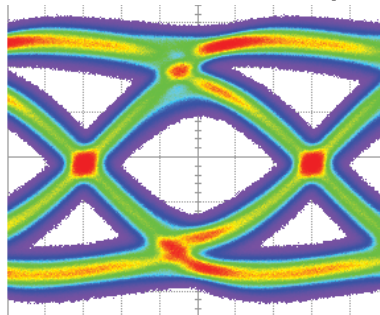


Bit Rate	Eye Height	Eye Width	Jitter <sub>P,P</sub>
28 Gbps	139.2 mV	21.6 ps	5.89 ps

**Reference @ 28Gbps**

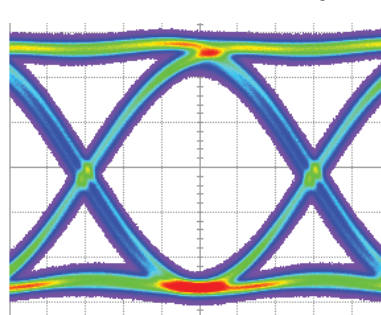


**GRF121/GRF121R @ 40Gbps**



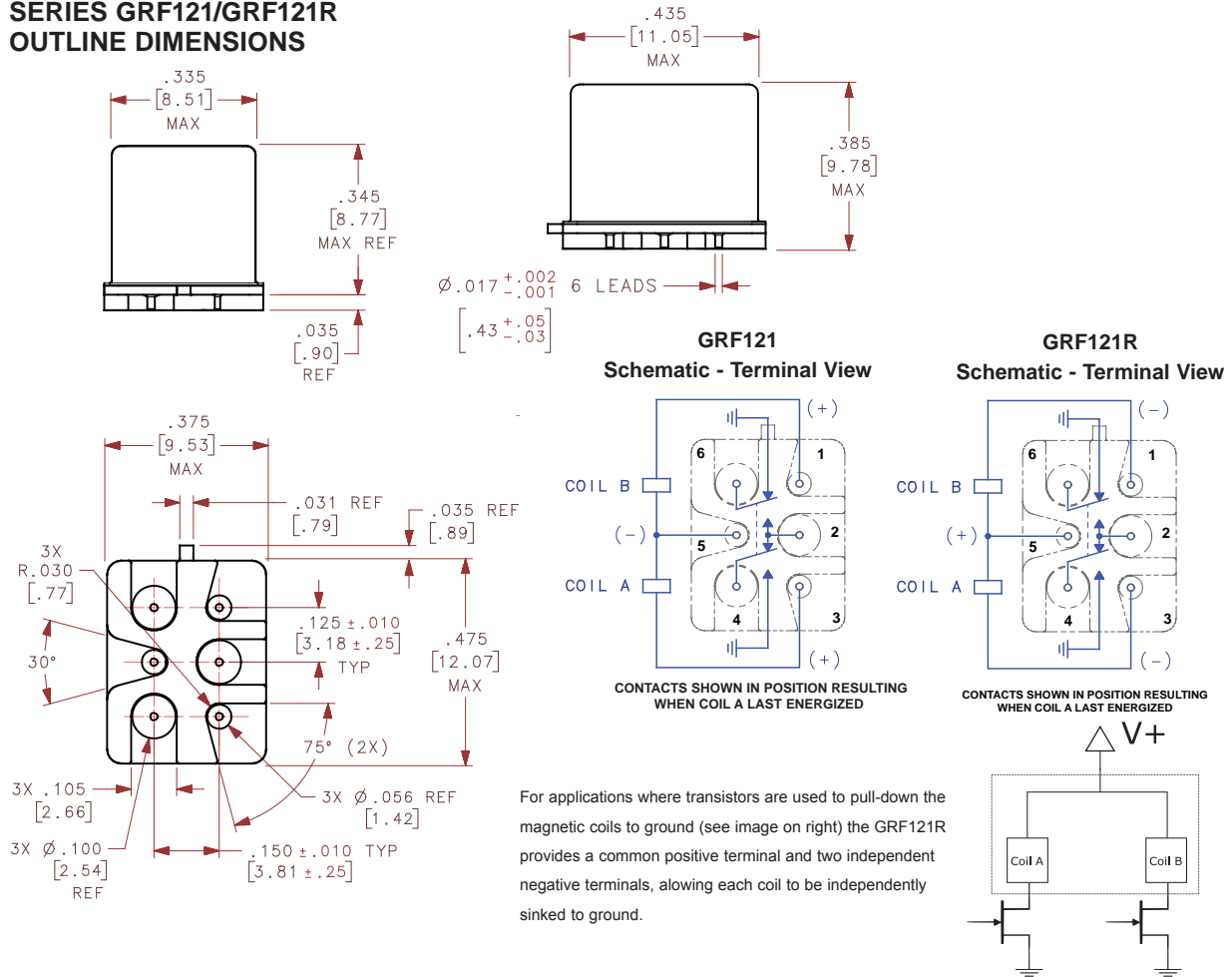
Bit Rate	Eye Height	Eye Width	Jitter <sub>P,P</sub>
40 Gbps	95 mV	13.34 ps	8.73 ps

**Reference @ 40Gbps**

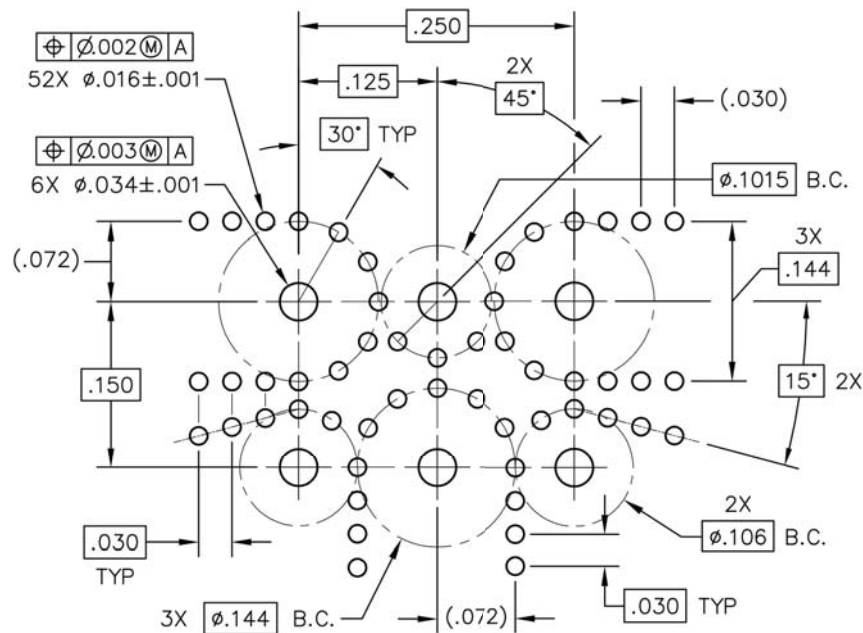


- **Pattern Generator Settings**
- 40 Gbps Random Pulse Pattern Generator
- $2^{31} - 1$  PRBS signal
- PRBS output of 500 mV<sub>P,P</sub> (nominal)
- RF PCB effect (negligible) not removed from measurement
- Data shown is typical of both contacts.

**SERIES GRF121/GRF121R**  
**OUTLINE DIMENSIONS**



**RECOMMENDED SOLDER STENCIL**





Компания «ЭлектроПласт» предлагает заключение долгосрочных отношений при поставках импортных электронных компонентов на взаимовыгодных условиях!

Наши преимущества:

- Оперативные поставки широкого спектра электронных компонентов отечественного и импортного производства напрямую от производителей и с крупнейших мировых складов;
- Поставка более 17-ти миллионов наименований электронных компонентов;
- Поставка сложных, дефицитных, либо снятых с производства позиций;
- Оперативные сроки поставки под заказ (от 5 рабочих дней);
- Экспресс доставка в любую точку России;
- Техническая поддержка проекта, помощь в подборе аналогов, поставка прототипов;
- Система менеджмента качества сертифицирована по Международному стандарту ISO 9001;
- Лицензия ФСБ на осуществление работ с использованием сведений, составляющих государственную тайну;
- Поставка специализированных компонентов (Xilinx, Altera, Analog Devices, Intersil, Interpoint, Microsemi, Aeroflex, Peregrine, Syfer, Eurofarad, Texas Instrument, Miteq, Cobham, E2V, MA-COM, Hittite, Mini-Circuits, General Dynamics и др.);

Помимо этого, одним из направлений компании «ЭлектроПласт» является направление «Источники питания». Мы предлагаем Вам помощь Конструкторского отдела:

- Подбор оптимального решения, техническое обоснование при выборе компонента;
- Подбор аналогов;
- Консультации по применению компонента;
- Поставка образцов и прототипов;
- Техническая поддержка проекта;
- Защита от снятия компонента с производства.



#### Как с нами связаться

**Телефон:** 8 (812) 309 58 32 (многоканальный)

**Факс:** 8 (812) 320-02-42

**Электронная почта:** [org@eplast1.ru](mailto:org@eplast1.ru)

**Адрес:** 198099, г. Санкт-Петербург, ул. Калинина, дом 2, корпус 4, литера А.