

**OFFLINE, HIGH PF, HIGH EFFICIENCY DIMMABLE LED DRIVER IC**

NEW PRODUCT

**Description**

The AP1695 is a high performance AC/DC power factor corrector for mains dimmable LED driver applications. The device uses Pulse Frequency Modulation (PFM) technology to regulate output current while achieving high power factor and low THD. It operates as a BCM (Boundary Conduction Mode) which is good for EMI.

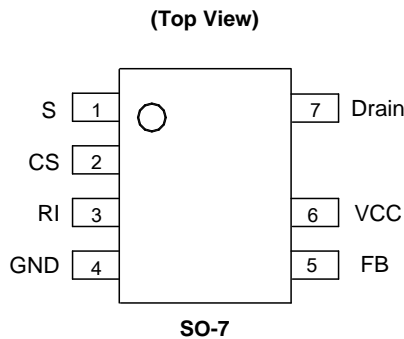
The AP1695 internally integrates a 500V high voltage MOSFET which can realize a lower BOM cost. The AP1695 provides accurate constant current (CC) regulation while removing the opto-coupler and secondary control circuitry. It also eliminates the need of loop compensation circuitry while maintaining stability. It can meet the requirement of IEC6100-3-2 harmonic standard.

The AP1695 features low start-up current, low operation current. It adopts valley on switching mode to achieve high efficiency. It also has rich protection features including over voltage, short circuit, over temperature protection.

The AP1695 provides the dimmable LED driver with a wide dimmer compatibility including leading edge and trailing edge dimmer. The AP1695 can achieve deep dimming down to 1%, while the dimming curve is compliant with the standard of NEMA SSL6.

The AP1695 is available in SO-7 package.

**Pin Assignments**



- Notes:
1. No purposely added lead. Fully EU Directive 2002/95/EC (RoHS) & 2011/65/EU (RoHS 2) compliant.
  2. See [http://www.diodes.com/quality/lead\\_free.html](http://www.diodes.com/quality/lead_free.html) for more information about Diodes Incorporated's definitions of Halogen- and Antimony-free, "Green" and Lead-free.
  3. Halogen- and Antimony-free "Green" products are defined as those which contain <900ppm bromine, <900ppm chlorine (<1500ppm total Br + Cl) and <1000ppm antimony compounds.

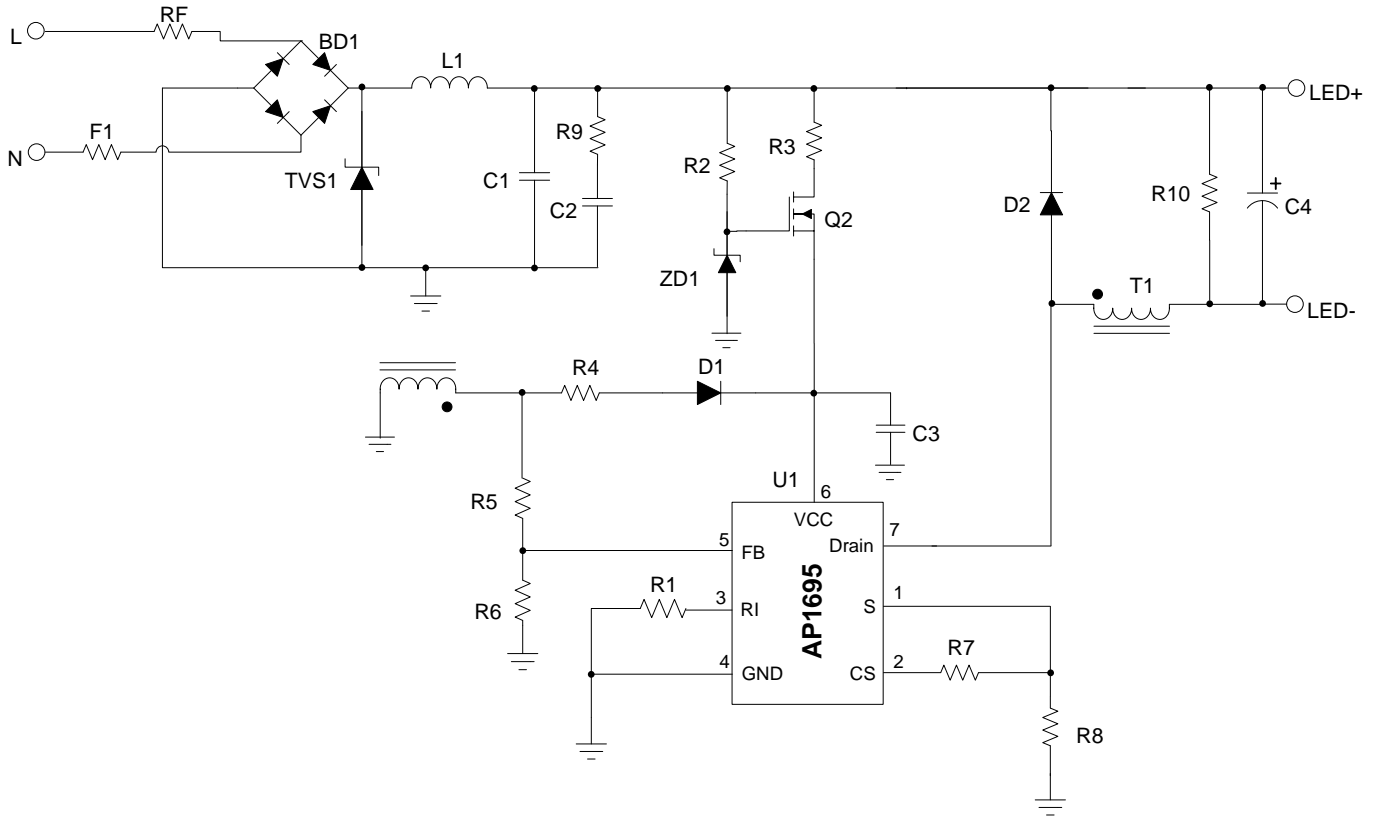
**Features**

- Boundary Conduction Mode (BCM) Operation to Achieve High-efficiency
- High PF and Low THD (PF>0.9, THD<30%)
- High Efficiency without Dimmer
- Wide Range of Dimmer Compatibility
- Dimming Curve Compliant with NEMA SSL6
- Low Start-up Current
- Tight LED Current
- Tight LED Open Voltage
- Valley-mode Switching to Minimize the Transition Loss
- Internal Integrated 2A/500V MOSFET can Cover up to 10W
- Easy EMI
- Internal Protections:
  - Under Voltage Lock Out (UVLO)
  - Leading-edge Blanking (LEB)
  - Output Short Protection
  - Output Open Protection
  - Over Temperature Protection
- Flexible for Design with Small Form Factor and Very Low BOM Cost
- **Totally Lead-Free & Fully RoHS Compliant (Notes 1 & 2)**
- **Halogen and Antimony Free. "Green" Device (Note 3)**

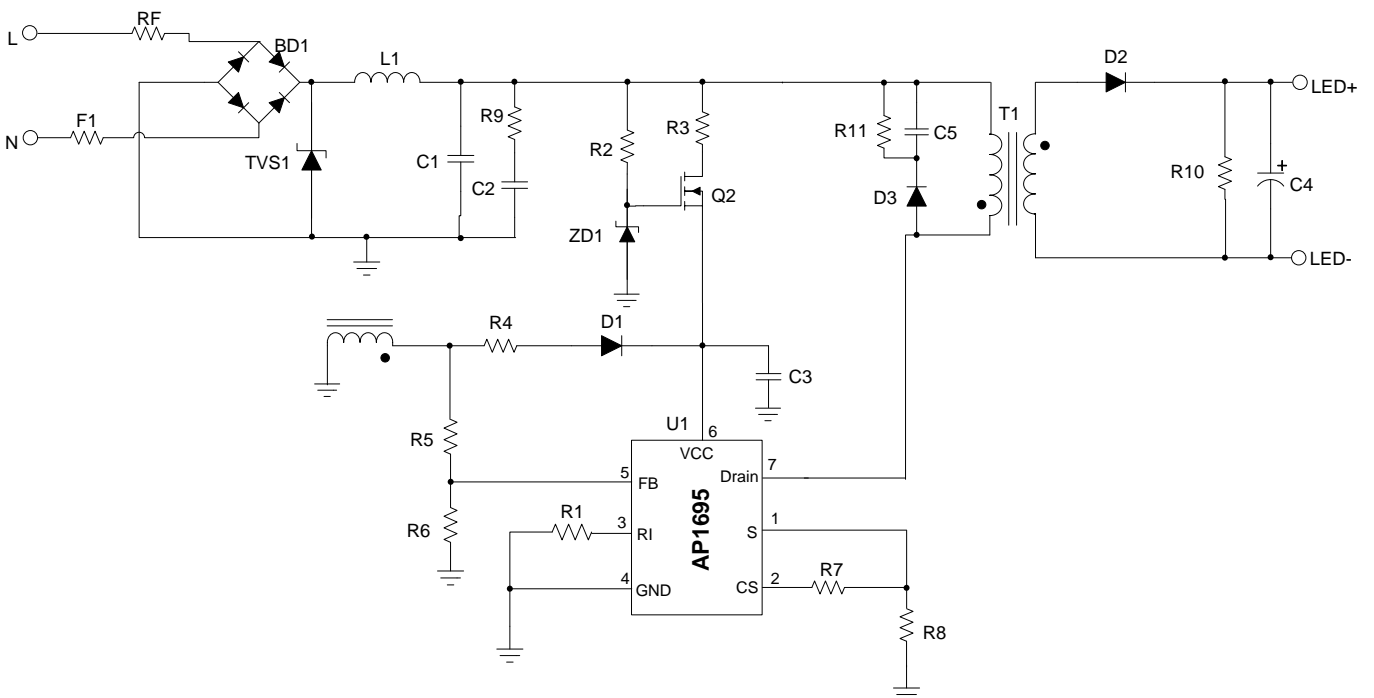
**Applications**

- Mains Dimmable LED Lighting

**Typical Applications Circuit**



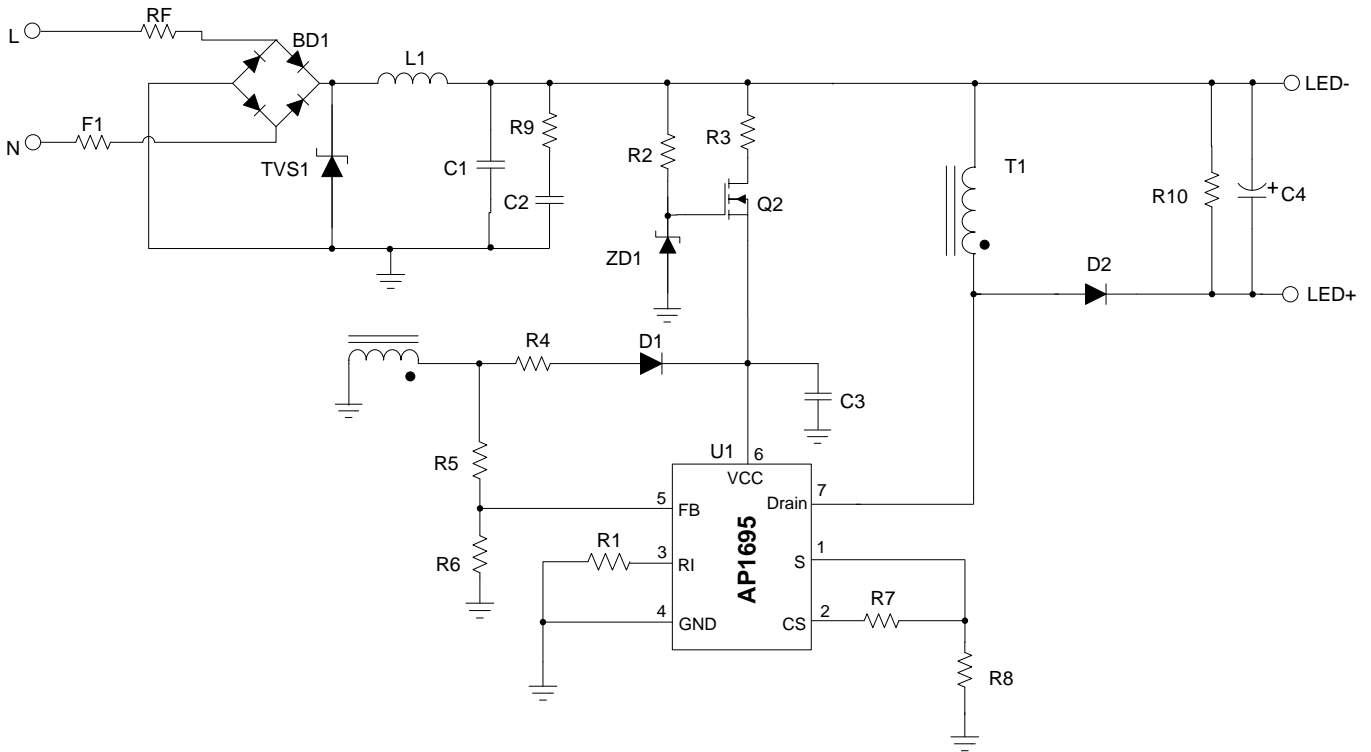
Typical Buck Application



Typical Fly-back Application

NEW PRODUCT

**Typical Applications Circuit (Cont.)**



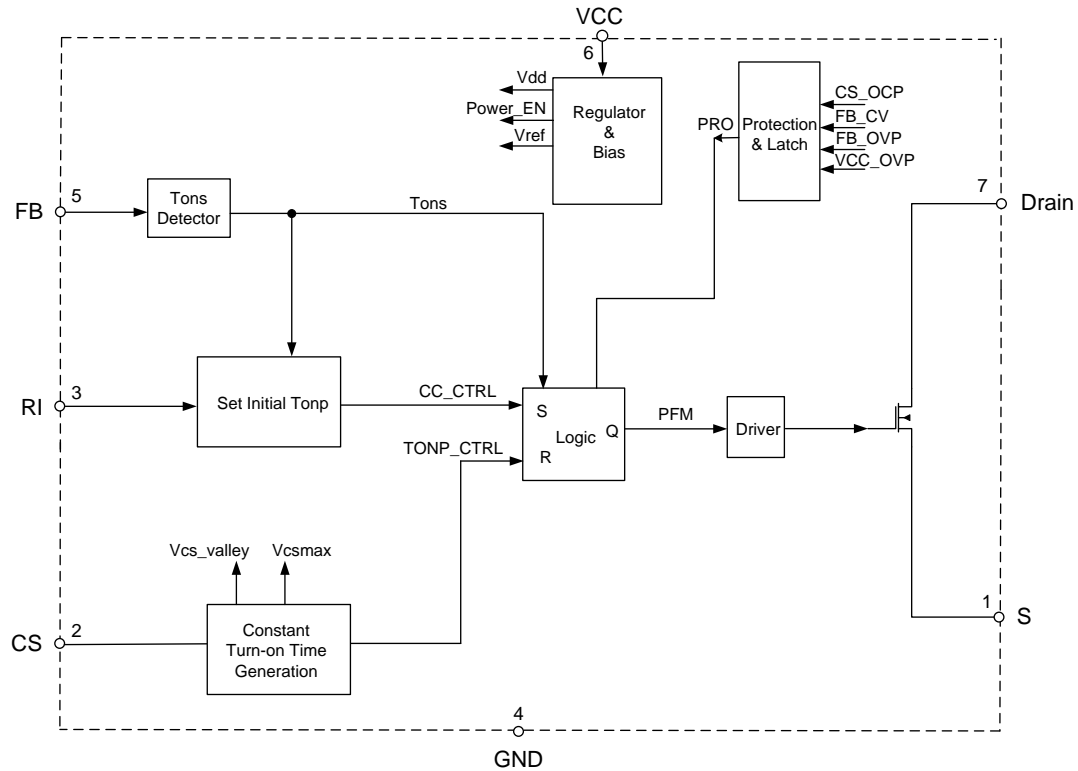
Typical Buck-boost Application

**Pin Descriptions**

Pin Number	Pin Name	Function
1	S	Internal MOSFET's Source
2	CS	Current sensing
3	RI	Setting the initial on time
4	GND	Ground
5	FB	The feedback voltage from auxiliary winding
6	VCC	Supply voltage of gate driver and control circuits of the IC.
7	Drain	Internal MOSFET's Drain

NEW PRODUCT

## Functional Block Diagram



## Absolute Maximum Ratings (Note 4) (@ $T_A = +25^\circ\text{C}$ , unless otherwise specified.)

Symbol	Parameter	Rating	Unit
$V_{CC}$	Power Supply Voltage	-0.3 to 35	V
$I_{OUT}$	Driver Output Current	150	mA
$V_{CS}$	Voltage at CS to GND	-0.3 to 7	V
$V_{FB}$	FB Input Voltage	-40 to 10	V
$V_{Drain}$	Voltage On Drain	500	V
$I_D$	Continue Drain Current $T_C = +25^\circ\text{C}$	2.5	A
$T_J$	Operating Junction Temperature	-40 to +150	$^\circ\text{C}$
$T_{STG}$	Storage Temperature	-65 to +150	$^\circ\text{C}$
$T_{LEAD}$	Lead Temperature (Soldering, 10 sec)	+300	$^\circ\text{C}$
$P_D$	Power Dissipation ( $T_A = +50^\circ\text{C}$ )	0.65	W
$\theta_{JA}$	Thermal Resistance (Junction to Ambient)	160	$^\circ\text{C}/\text{W}$
-	ESD (Human Body Model)	$\pm 2000$	V
-	ESD (Machine Model)	$\pm 200$	V

Note 4: Stresses greater than those listed under "Absolute Maximum Ratings" may cause permanent damage to the device. These are stress ratings only, and functional operation of the device at these or any other conditions beyond those indicated under "Recommended Operating Conditions" is not implied. Exposure to "Absolute Maximum Ratings" for extended periods may affect device reliability.

## Recommended Operating Conditions

Symbol	Parameter	Min	Max	Unit
V <sub>CC</sub>	Power Supply Voltage	7	25	V
T <sub>A</sub>	Ambient Temperature	-40	+105	°C

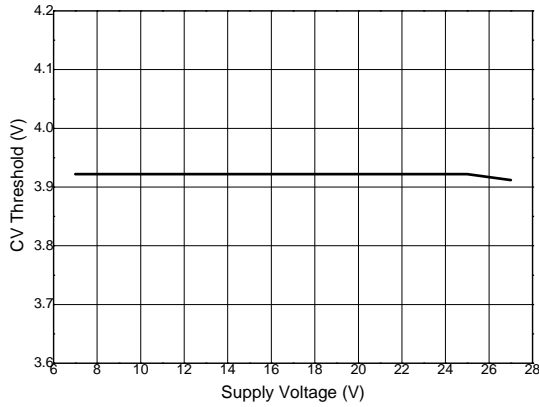
## Electrical Characteristics (@T<sub>A</sub> = +25°C, unless otherwise specified.)

Symbol	Parameter	Conditions	Min	Typ	Max	Unit
<b>UVLO Section</b>						
V <sub>TH</sub> (ST)	Start-up Threshold	–	13	14.5	16	V
V <sub>OPR</sub> (Min)	Minimum Operating Voltage	After turn on	5.5	6.5	7.5	V
V <sub>CC_OVP</sub>	VCC OVP Voltage	–	27	29	31	V
–	VCC Delatch Voltage (Note 5)	–	3	4	5	V
<b>Standby Current Section</b>						
I <sub>ST</sub>	Start-up Current	V <sub>CC</sub> = V <sub>TH</sub> (ST) - 0.5V, Before start up	–	–	20	µA
I <sub>CC</sub> (OPR)	Operating Current	Static	–	900	1300	µA
<b>Current Sense Section</b>						
V <sub>CS_REF</sub>	Current Sense Reference	–	–	1	–	V
V <sub>CS_CLAMP</sub>	Current Sense Reference Clamp	–	1.2	1.4	–	V
t <sub>ONP_MIN</sub>	Minimum t <sub>ONP</sub>	–	700	–	1000	ns
t <sub>D(H-L)</sub>	Delay to Output (Note 5)	–	50	150	250	ns
<b>Feedback Input Section</b>						
I <sub>FB</sub>	Feedback Pin Input Leakage Current	V <sub>FB</sub> = 2V	–	–	4	µA
V <sub>FB_CV</sub>	FB CV Threshold	–	3.8	4	4.2	V
V <sub>FB_OVP</sub>	FB OVP Threshold	–	4.5	6	7.5	V
<b>Internal MOSFET Section</b>						
R <sub>DS(ON)</sub>	Drain-Source On-State Resistance	V <sub>GS</sub> = 10V, I <sub>D</sub> = 1.25A	–	–	6	Ω
V <sub>BR(Drain)</sub>	Drain-Source Breakdown Voltage	V <sub>GS</sub> = 0V, I <sub>D</sub> = 250µA	500	–	–	V
I <sub>DSS</sub>	Drain-Source Leakage Current	V <sub>DS</sub> = 500V, V <sub>GS</sub> = 0V	–	–	1	µA
<b>Output Current</b>						
–	System Output Current On Final Test Board	–	–	–	±2	%
<b>Over Temperature Protection Section</b>						
–	Shutdown Temperature (Note 5)	–	+150	–	–	°C
–	Temperature Hysteresis (Note 5)	–	–	+20	–	°C

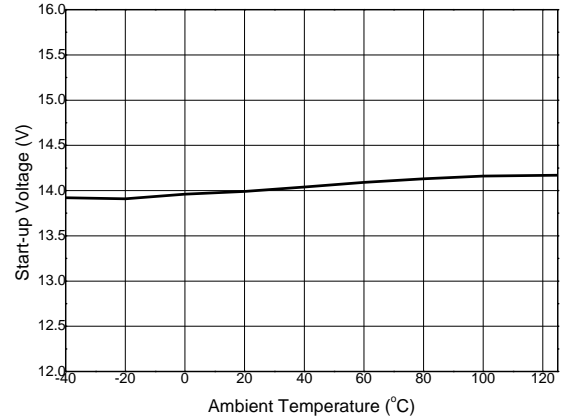
Note 5: These parameters, although guaranteed by design, are not 100% tested in production.

**Performance Characteristics**

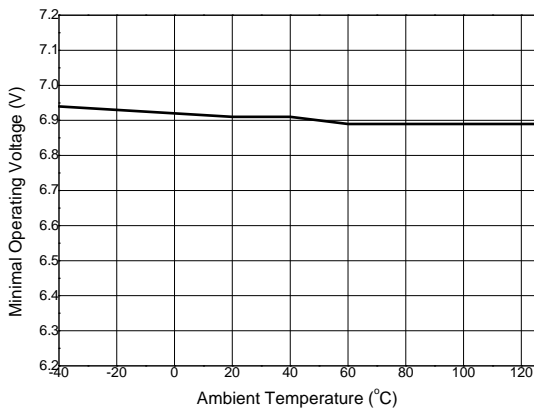
**CV Threshold vs. Supply Voltage**



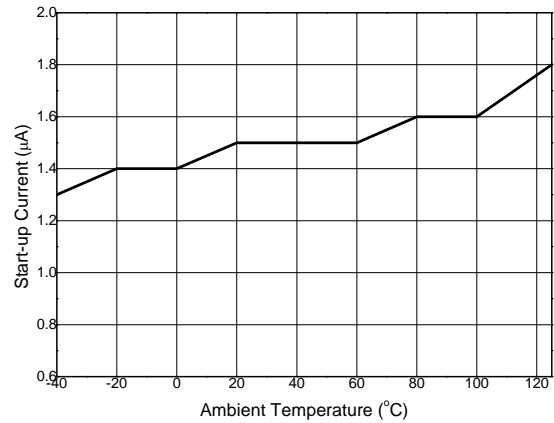
**Start-up Voltage vs. Ambient Temperature**



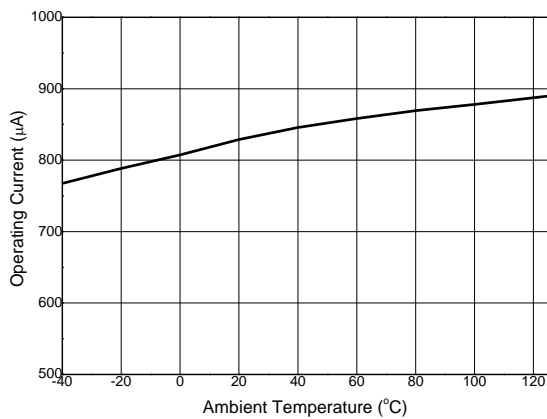
**Minimal Operating Voltage vs. Ambient Temperature**



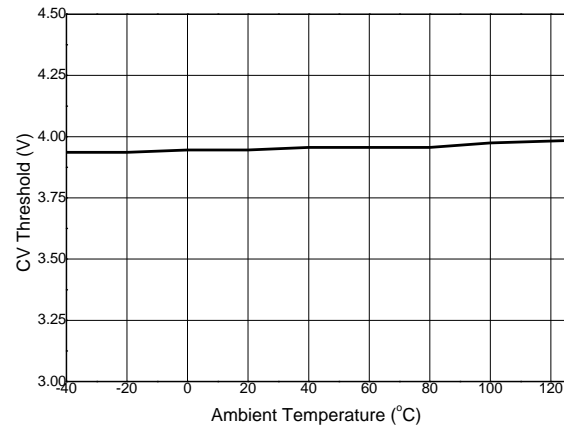
**Start-up Current vs. Ambient Temperature**



**Operating Current vs. Ambient Temperature**

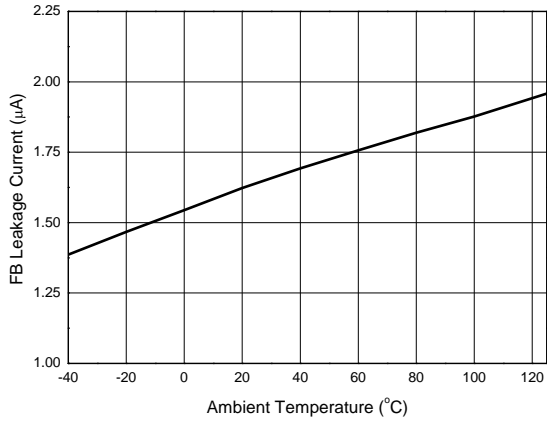


**CV Threshold vs. Ambient Temperature**

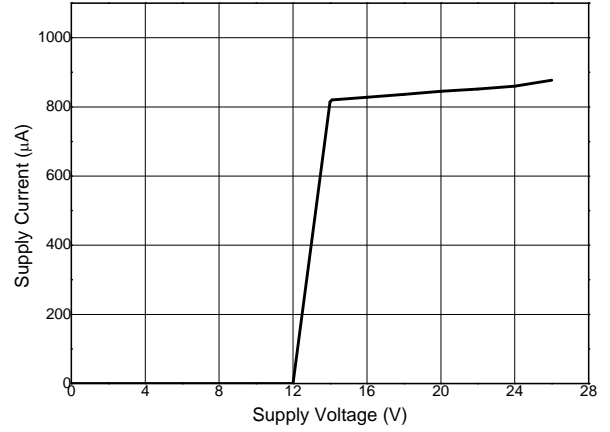


**Performance Characteristics (Cont.)**

**FB Leakage Current vs. Ambient Temperature**



**Supply Current vs. Supply Voltage**



## Application Information Based on Buck Structure

The AP1695 uses constant on time control method within one AC cycle to achieve the high power factor. When the dimmer is connected to the driver, although a part of input voltage is cut off by the dimmer, the system still operates as constant on time mode, in this way good dimmer compatibility can be realized.

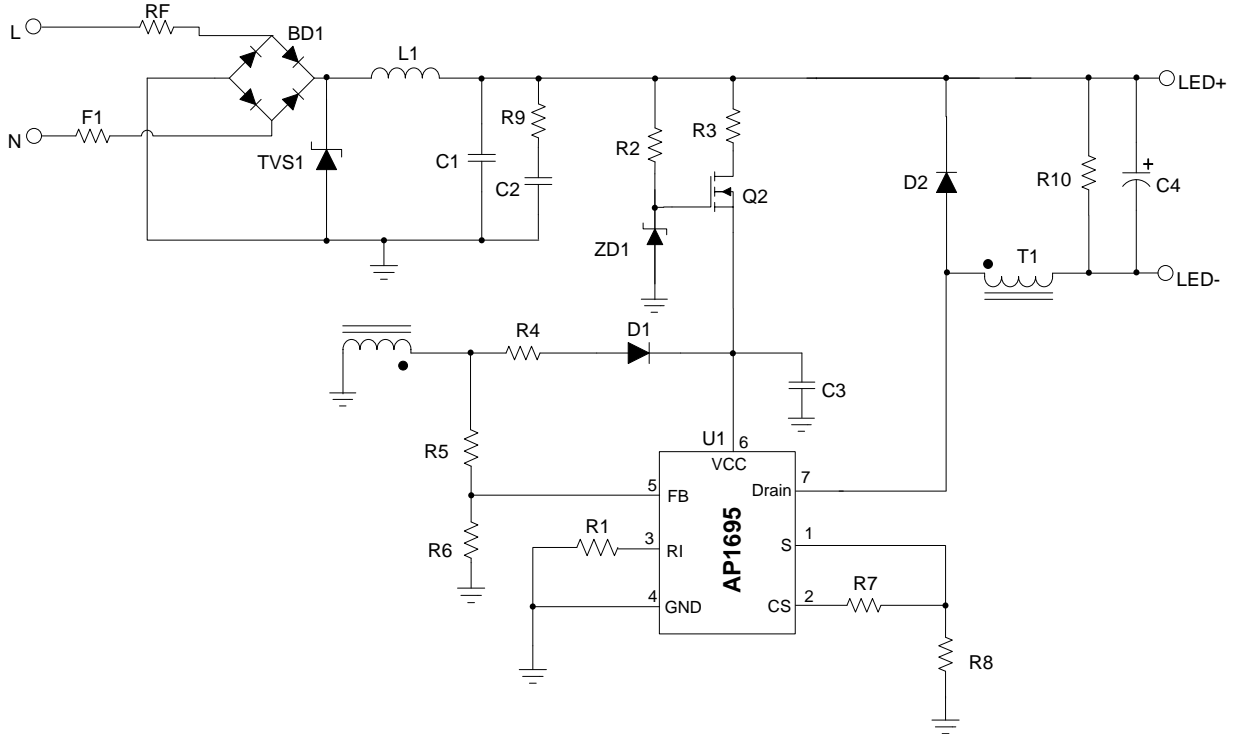


Figure 1. Typical Buck Application Circuit

When the dimmer is connected, and the conduction angle of the dimmer is  $\pi - \alpha$ , according to the control principle of the IC, the output current can be got as below:

$$I_o(\alpha, \theta) = \frac{1}{2} \cdot I_{pk}(\alpha, \theta) = \begin{cases} \frac{1}{2} \cdot \frac{V_{cs\_ref}}{R8} \cdot \sin(\theta) & \text{if } (\theta > \alpha) \\ 0 & \text{else} \end{cases}$$

In consider of the dead zone of the buck structure, the output current DC value can be calculated as below:

$$I_{o\_mean} = k \cdot \frac{1}{\pi} \int_0^{\pi} I_o(\alpha, \theta) d\theta$$

Where,

$V_{cs\_ref}$  is the reference of the current sense, and the typical value is 1V.

$\alpha$  is the cut off angle of dimmer.

$\theta$  is the phase of the input voltage.

k is the current modification coefficient, and the value is approximate to be 0.7.

When no dimmer is connected with the driver ( $\alpha = 0$ ), the output current DC value can be got as:

$$I_{o\_mean} = k \cdot \frac{1}{\pi} \cdot \frac{V_{cs\_ref}}{R8}$$



## Application Information Based on Buck Structure (Cont.)

### Design Parameters

#### Setting the Current Sense Resistor R8

According to the equation of the output current, the current sense resistor R8 is determined:

$$R8 = k \cdot \frac{V_{cs\_ref}}{\pi \cdot I_{o\_mean}}$$

#### Transformer Selection

The typical non-isolated buck circuit in Figure 1 is usually selected, and the system is operating at boundary conduction mode. The switching frequency at the crest is set as  $f_{min}$ , the inductance can be calculated as below:

$$L = \frac{(\sqrt{2} \cdot V_{in\_rms} - V_o) \cdot R8 \cdot V_o}{V_{cs\_ref} \cdot \sqrt{2} \cdot V_{in\_rms} \cdot f_{min}}$$

Where,

$V_o$  is the output voltage.

$V_{in\_rms}$  is the RMS value of the input voltage.

According to Ferrari's law of electromagnetic induction, the winding turns number of the buck inductance  $N_L$  is:

$$N_L = \frac{L \cdot i_{pk}}{A_e \cdot B_m} = \frac{L \cdot V_{cs\_ref}}{A_e \cdot B_m \cdot R8}$$

Where,

$A_e$  is the core effective area.

$B_m$  is the maximum magnetic flux density.

The auxiliary winding is power supply for  $V_{CC}$ , the winding turns number  $N_{aux}$  is:

$$N_{aux} = N_L \cdot \frac{V_{cc}}{V_o + V_d}$$

Where,

$V_{CC}$  is the power supply voltage for IC from auxiliary winding.

$V_d$  is the voltage drop of the freewheel diode.

#### Setting the Initial On Time

As the AP1695 adopts constant on time control method, the AP1695 will generate an initial on time to start a working cycle. If the initial on time is longer than the rated on time, overshoot will happen. The initial on time is determined by resistor R1 shown in Figure 1.

According to initial on time generation mechanism, the  $t_{on\_initial}$  is:

$$t_{on\_initial} = 80 \cdot R1 \cdot 10^{-12} s$$

To guarantee the system with no overshoot phenomenon, the resistor R1 is selected:

**Application Information Based on Buck Structure (Cont.)**

$$R_1 \leq \frac{1.25 \cdot L}{R_8 \cdot \sqrt{2} U_{in\_rms\_max}} \cdot 10^{10} \Omega$$

In dimmable application, on the condition of the acceptable line regulation, the smaller R1 is selected will be better for dimming performance.

**Valley On Control Method**

The valley on function can provide low turn-on switching losses for buck converter. The voltage across the power switch is reflected by the auxiliary winding of the buck transformer. The voltage is sensed by FB pin.

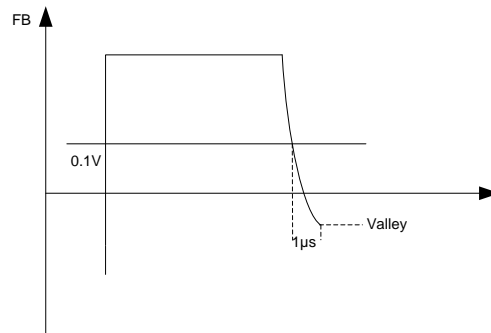


Figure 2. Valley On Control

According to Figure 2, when the falling edge of 0.1V is sensed by FB pin, the AP1695 will see the toff time is over and delay 1µs to start a new operating cycle. By this way we can realize valley on function.

**Passive Damping and Bleeder Design**

The passive bleeder is designed to supply latching and holding current to eliminate misfire and flicker.

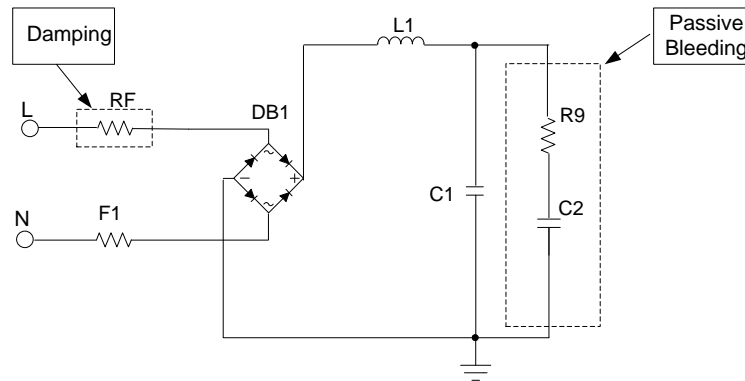


Figure 3. LED Driver Schematic with Passive Bleeder

A passive bleeder is composed of a resistor (R9) and a capacitor (C2). C1 is input filter capacitor and RF is damper resistor.

The passive bleeder includes a capacitor (C2, hundreds of nF) to provide latching current. To remove the voltage and current spike, a resistor (R9) is necessary to dampen the spike.

In dimmable application, because a large C2 will affect the PF, THD and efficiency, the value of the capacitor (C2) should be selected suitable. Generally, 100nF/400V to 330nF/400V is recommended.

RF is the damper for reducing the spike current caused by quick charging of C2 at firing. RF is selected from 20Ω to 100Ω for low line application, and 51Ω to 200Ω for high line application. If R9 is too small, R9 can't fully dampen the spike current and ringing current will occur. The ringing current will cause the TRIAC misfire which will cause LED flicking. Another consideration in R9 selection is power loss, too large R9 will make more power dissipation. Generally, a 200Ω to 2KΩ resistor is selected for R9.

## Application Information Based on Buck Structure (Cont.)

### Fault Protection Over Voltage Protection and Output Open Protection

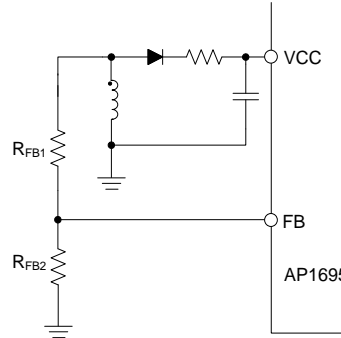


Figure 4. OVP Circuit

The output voltage is sensed by the auxiliary winding voltage of the Buck transformer, the V<sub>CC</sub> pin and FB pin provide over voltage protection function. When the output is open or large transient happens, the output voltage will exceed the rated value. When the voltage of V<sub>CC cap</sub> exceeds V<sub>CC\_OVP</sub> or V<sub>FB\_CV</sub>, the over voltage is triggered and the IC will discharge V<sub>CC</sub>. When the V<sub>CC</sub> is below the UVLO threshold voltage, IC will start a new work cycle and the V<sub>CC cap</sub> is charged again by start resistance. If the over voltage condition still exists, the system will work in hiccup mode.

**Attention:** If the external fast startup circuit is adding in the application and the over voltage protection and output open protection happen, the IC will trigger latch.

#### Output Short Protection

When the output is shorted, the output voltage will be clamped at 0. At this condition, V<sub>CC</sub> will drop down without auxiliary winding for power supply. And the V<sub>CC</sub> will drop to UVLO threshold voltage, the IC will shut down and restart a new operating cycle, and the V<sub>CC</sub> is charged by startup resistance. When V<sub>CC</sub> is higher than V<sub>CC\_start</sub> voltage, IC will output a bunch of pulse to control power switch on and off. When still no FB signal detected the device will not output more pulse. So the V<sub>CC</sub> will drop to V<sub>CC UVLO</sub> threshold again. If output short condition still exists, the system will operate in hiccup mode.

**Attention:** If the external fast startup circuit is adding in the application, the device will not work at UVLO mode, and the device will work at minimum toff mode.

#### Over Temperature Protection

AP1695 has two kinds of over temperature protection processes. First, the system is operating normally, the ambient temperature is changed to +170°C suddenly, the IC will trigger over temperature protection which leads to a latch work mode. Second, if the system starts when the ambient temperature is higher than +150°C, over temperature protection will be triggered. So the AP1695 can startup successfully when the ambient temperature is less than +150°C.

#### Recommended Applications

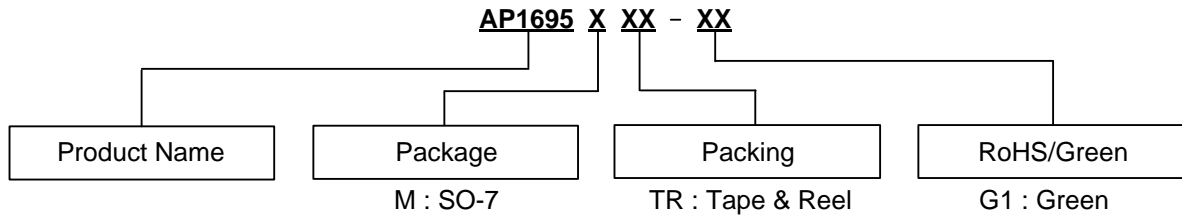
The AP1695 is a device which internally integrates a MOSFET, the output current is limited by the internal integrated MOSFET, using this device can cover up to 10W's application meanwhile the output current is less than 200mA in buck structure.

#### Components Selection Guide

If the system's spec is changed, please refer to the design sheet of the AP1695 and select the compatible system parameter. When the system needs to be adjusted slightly, please refer to the table below and adjust the value of the related component.

Item	Description	Related Components
I <sub>O</sub>	Output current	R8
Output Current Ripple	Small current ripple is good for LED life	C4
t <sub>on_initial</sub>	System initial on time, used to startup the system	R1
Output Open Voltage	Setting the output voltage when the LED is open	R5, R6
Dimming Performance	Improve the dimming performance	R1, RF, R9, C2, C4
EMI	Pass EN 55022 class B with 6DB margin	L1, C1
Line Compensation	To get a good line regulation	R7

## Ordering Information

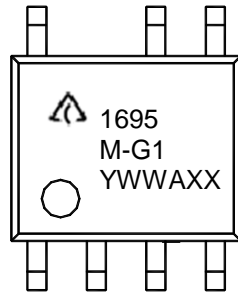


Diodes IC's Pb-free products with "G1" suffix in the part number, are RoHS compliant and green.

Package	Temperature Range	Part Number	Marking ID	Packing
SO-7	-40°C to +105°C	AP1695MTR-G1	1695M-G1	4000/13" Tape & Reel

## Marking Information

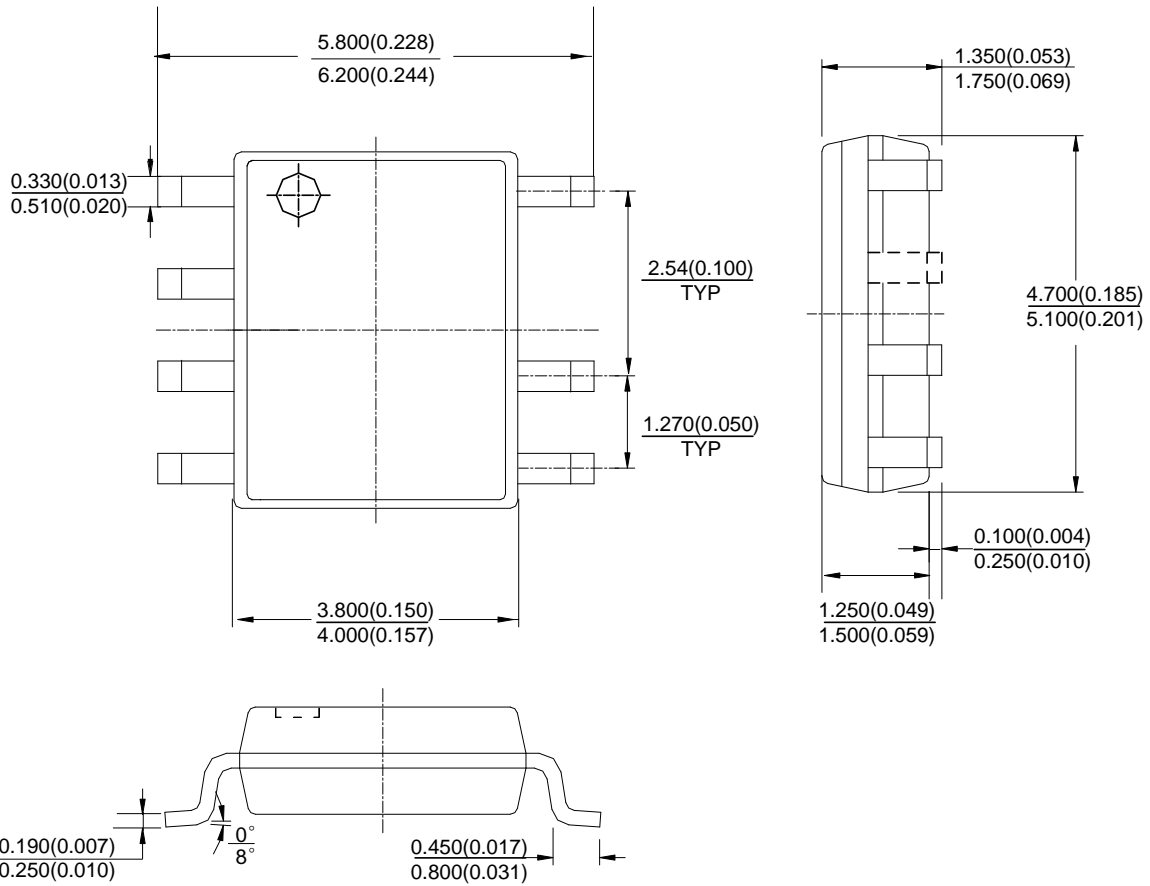
(Top View)



First and Second Lines: Logo and Marking ID  
 Third Line: Date Code  
 Y: Year  
 WW: Work Week of Molding  
 A: Assembly House Code  
 XX: 7<sup>th</sup> and 8<sup>th</sup> Digits of Batch No.

**Package Outline Dimensions** (All dimensions in mm (inch).)

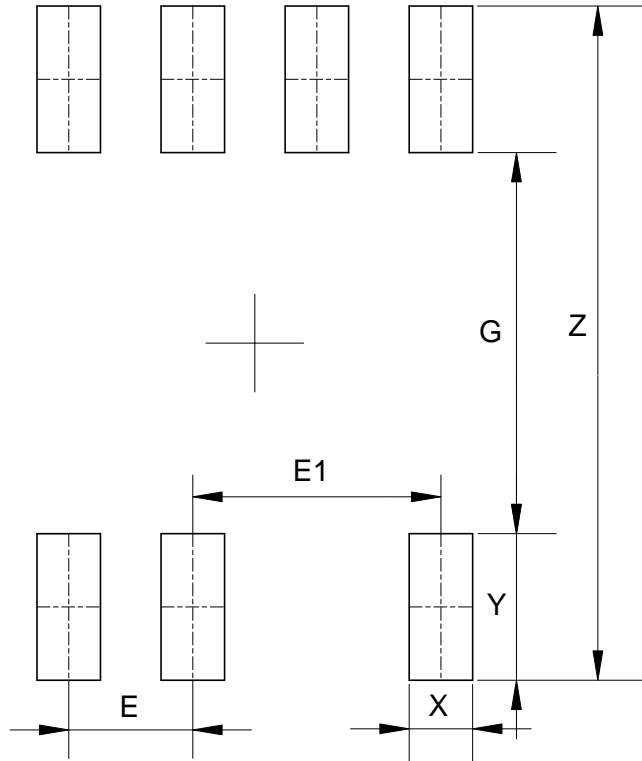
(1) Package Type: SO-7



Note: Eject hole, oriented hole and mold mark is optional.

**Suggested Pad Layout**

(1) Package Type: SO-7



Dimensions	Z (mm)/(inch)	G (mm)/(inch)	X (mm)/(inch)	Y (mm)/(inch)	E (mm)/(inch)	E1 (mm)/(inch)
Value	6.900/0.272	3.900/0.154	0.650/0.026	1.500/0.059	1.270/0.050	2.540/0.100

NEW PRODUCT

**IMPORTANT NOTICE**

DIODES INCORPORATED MAKES NO WARRANTY OF ANY KIND, EXPRESS OR IMPLIED, WITH REGARDS TO THIS DOCUMENT, INCLUDING, BUT NOT LIMITED TO, THE IMPLIED WARRANTIES OF MERCHANTABILITY AND FITNESS FOR A PARTICULAR PURPOSE (AND THEIR EQUIVALENTS UNDER THE LAWS OF ANY JURISDICTION).

Diodes Incorporated and its subsidiaries reserve the right to make modifications, enhancements, improvements, corrections or other changes without further notice to this document and any product described herein. Diodes Incorporated does not assume any liability arising out of the application or use of this document or any product described herein; neither does Diodes Incorporated convey any license under its patent or trademark rights, nor the rights of others. Any Customer or user of this document or products described herein in such applications shall assume all risks of such use and will agree to hold Diodes Incorporated and all the companies whose products are represented on Diodes Incorporated website, harmless against all damages.

Diodes Incorporated does not warrant or accept any liability whatsoever in respect of any products purchased through unauthorized sales channel. Should Customers purchase or use Diodes Incorporated products for any unintended or unauthorized application, Customers shall indemnify and hold Diodes Incorporated and its representatives harmless against all claims, damages, expenses, and attorney fees arising out of, directly or indirectly, any claim of personal injury or death associated with such unintended or unauthorized application.

Products described herein may be covered by one or more United States, international or foreign patents pending. Product names and markings noted herein may also be covered by one or more United States, international or foreign trademarks.

This document is written in English but may be translated into multiple languages for reference. Only the English version of this document is the final and determinative format released by Diodes Incorporated.

**LIFE SUPPORT**

Diodes Incorporated products are specifically not authorized for use as critical components in life support devices or systems without the express written approval of the Chief Executive Officer of Diodes Incorporated. As used herein:

A. Life support devices or systems are devices or systems which:

1. are intended to implant into the body, or
2. support or sustain life and whose failure to perform when properly used in accordance with instructions for use provided in the labeling can be reasonably expected to result in significant injury to the user.

B. A critical component is any component in a life support device or system whose failure to perform can be reasonably expected to cause the failure of the life support device or to affect its safety or effectiveness.

Customers represent that they have all necessary expertise in the safety and regulatory ramifications of their life support devices or systems, and acknowledge and agree that they are solely responsible for all legal, regulatory and safety-related requirements concerning their products and any use of Diodes Incorporated products in such safety-critical, life support devices or systems, notwithstanding any devices- or systems-related information or support that may be provided by Diodes Incorporated. Further, Customers must fully indemnify Diodes Incorporated and its representatives against any damages arising out of the use of Diodes Incorporated products in such safety-critical, life support devices or systems.

Copyright © 2014, Diodes Incorporated

[www.diodes.com](http://www.diodes.com)



Компания «ЭлектроПласт» предлагает заключение долгосрочных отношений при поставках импортных электронных компонентов на взаимовыгодных условиях!

Наши преимущества:

- Оперативные поставки широкого спектра электронных компонентов отечественного и импортного производства напрямую от производителей и с крупнейших мировых складов;
- Поставка более 17-ти миллионов наименований электронных компонентов;
- Поставка сложных, дефицитных, либо снятых с производства позиций;
- Оперативные сроки поставки под заказ (от 5 рабочих дней);
- Экспресс доставка в любую точку России;
- Техническая поддержка проекта, помощь в подборе аналогов, поставка прототипов;
- Система менеджмента качества сертифицирована по Международному стандарту ISO 9001;
- Лицензия ФСБ на осуществление работ с использованием сведений, составляющих государственную тайну;
- Поставка специализированных компонентов (Xilinx, Altera, Analog Devices, Intersil, Interpoint, Microsemi, Aeroflex, Peregrine, Syfer, Eurofarad, Texas Instrument, Miteq, Cobham, E2V, MA-COM, Hittite, Mini-Circuits, General Dynamics и др.);

Помимо этого, одним из направлений компании «ЭлектроПласт» является направление «Источники питания». Мы предлагаем Вам помощь Конструкторского отдела:

- Подбор оптимального решения, техническое обоснование при выборе компонента;
- Подбор аналогов;
- Консультации по применению компонента;
- Поставка образцов и прототипов;
- Техническая поддержка проекта;
- Защита от снятия компонента с производства.



#### Как с нами связаться

**Телефон:** 8 (812) 309 58 32 (многоканальный)

**Факс:** 8 (812) 320-02-42

**Электронная почта:** [org@eplast1.ru](mailto:org@eplast1.ru)

**Адрес:** 198099, г. Санкт-Петербург, ул. Калинина, дом 2, корпус 4, литера А.