

# 74LVC574A

## Low-Voltage CMOS Octal D-Type Flip-Flop

### With 5 V-Tolerant Inputs and Outputs (3-State, Non-Inverting)

The 74LVC574A is a high performance, non-inverting octal D-type flip-flop operating from a 1.2 to 3.6 V supply. High impedance TTL compatible inputs significantly reduce current loading to input drivers while TTL compatible outputs offer improved switching noise performance. A  $V_I$  specification of 5.5 V allows 74LVC574A inputs to be safely driven from 5 V devices.

The 74LVC574A consists of 8 edge-triggered flip-flops with individual D-type inputs and 3-state true outputs. The buffered clock and buffered Output Enable ( $\overline{OE}$ ) are common to all flip-flops. The eight flip-flops will store the state of individual D inputs that meet the setup and hold time requirements on the LOW-to-HIGH Clock (CP) transition. With the  $\overline{OE}$  LOW, the contents of the eight flip-flops are available at the outputs. When the  $\overline{OE}$  is HIGH, the outputs go to the high impedance state. The  $\overline{OE}$  input level does not affect the operation of the flip-flops.

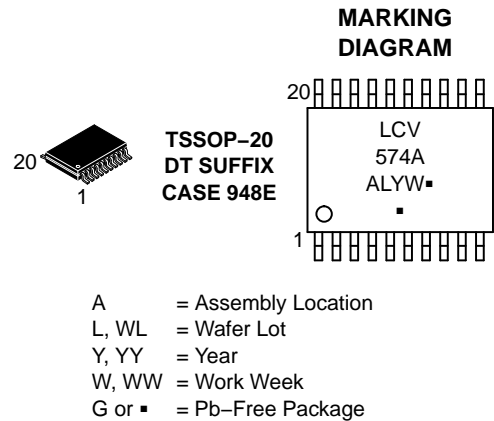
#### Features

- Designed for 1.2 to 3.6 V  $V_{CC}$  Operation
- 5 V Tolerant – Interface Capability With 5 V TTL Logic
- Supports Live Insertion and Withdrawal
- $I_{OFF}$  Specification Guarantees High Impedance When  $V_{CC} = 0$  V
- 24 mA Output Sink and Source Capability
- Near Zero Static Supply Current in All Three Logic States (10  $\mu$ A) Substantially Reduces System Power Requirements
- ESD Performance:
  - ◆ Human Body Model >2000 V
  - ◆ Machine Model >200 V
- These are Pb-Free Devices



ON Semiconductor®

[www.onsemi.com](http://www.onsemi.com)



(Note: Microdot may be in either location)

#### ORDERING INFORMATION

See detailed ordering and shipping information on page 8 of this data sheet.

# 74LVC574A

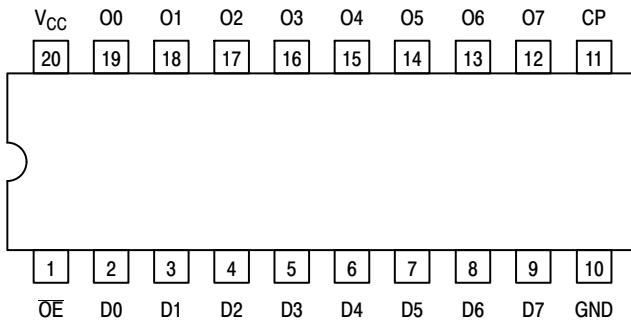


Figure 1. Pinout: 20-Lead (Top View)

## PIN NAMES

| Pins            | Function            |
|-----------------|---------------------|
| $\overline{OE}$ | Output Enable Input |
| CP              | Clock Pulse Input   |
| D0–D7           | Data Inputs         |
| O0–O7           | 3–State Outputs     |

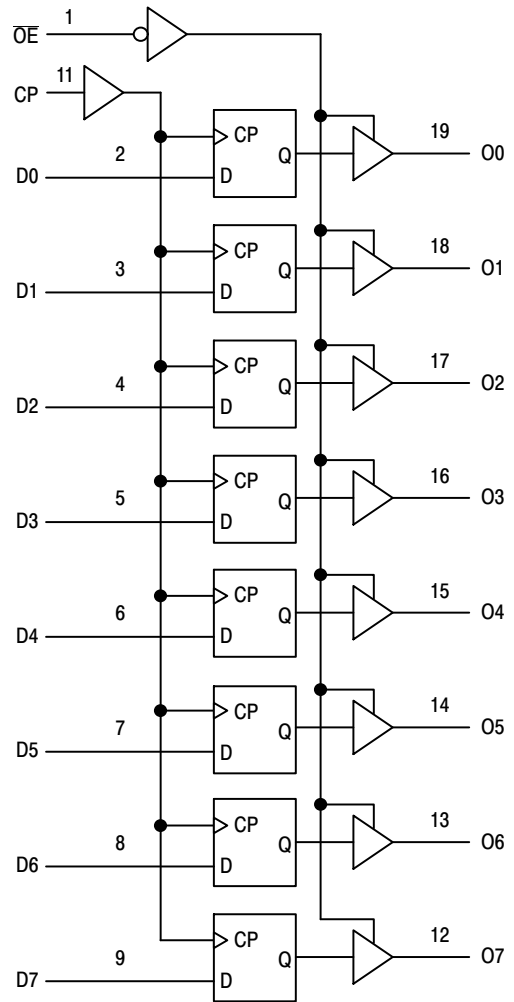


Figure 2. Logic Diagram

## TRUTH TABLE

| INPUTS          |            |    | OUTPUTS | OPERATING MODE                             |
|-----------------|------------|----|---------|--|
| $\overline{OE}$ | CP         | Dn | On      |  |
| L               | $\uparrow$ | l  | L       | Load and Read Register                     |
| L               | $\uparrow$ | h  | H       |  |
| L               | $\uparrow$ | X  | NC      | Hold and Read Register                     |
| H               | $\uparrow$ | X  | Z       | Hold and Disable Outputs                   |
| H               | $\uparrow$ | l  | Z       | Load Internal Register and Disable Outputs |
| H               | $\uparrow$ | h  | Z       |  |

- H = High Voltage Level
- h = High Voltage Level One Setup Time Prior to the Low-to-High Clock Transition
- L = Low Voltage Level
- l = Low Voltage Level One Setup Time Prior to the Low-to-High Clock Transition
- NC = No Change, State Prior to Low-to-High Clock Transition
- X = High or Low Voltage Level and Transitions are Acceptable
- Z = High Impedance State
- $\uparrow$  = Low-to-High Transition
- $\uparrow$  = Not a Low-to-High Transition; For  $I_{CC}$  Reasons, DO NOT FLOAT Inputs

# 74LVC574A

## MAXIMUM RATINGS

| Symbol           | Parameter                                       | Condition                            | Value   | Unit |
|------------------|---|--------------------------------------|---|------|
| V <sub>CC</sub>  | DC Supply Voltage                               |                                      | -0.5 to +6.5                                  | V    |
| V <sub>I</sub>   | DC Input Voltage                                |                                      | -0.5 ≤ V <sub>I</sub> ≤ +6.5                  | V    |
| V <sub>O</sub>   | DC Output Voltage                               | Output in 3-State                    | -0.5 ≤ V <sub>O</sub> ≤ +6.5                  | V    |
|                  |   | Output in HIGH or LOW State (Note 1) | -0.5 ≤ V <sub>O</sub> ≤ V <sub>CC</sub> + 0.5 | V    |
| I <sub>IK</sub>  | DC Input Diode Current                          | V <sub>I</sub> < GND                 | -50   | mA   |
| I <sub>OK</sub>  | DC Output Diode Current                         | V <sub>O</sub> < GND                 | -50   | mA   |
|                  |   | V <sub>O</sub> > V <sub>CC</sub>     | +50   | mA   |
| I <sub>O</sub>   | DC Output Source/Sink Current                   |                                      | ±50   | mA   |
| I <sub>CC</sub>  | DC Supply Current Per Supply Pin                |                                      | ±100  | mA   |
| I <sub>GND</sub> | DC Ground Current Per Ground Pin                |                                      | ±100  | mA   |
| T <sub>STG</sub> | Storage Temperature Range                       |                                      | -65 to +150                                   | °C   |
| T <sub>L</sub>   | Lead Temperature, 1 mm from Case for 10 Seconds |                                      | T <sub>L</sub> = 260                          | °C   |
| T <sub>J</sub>   | Junction Temperature Under Bias                 |                                      | T <sub>J</sub> = 135                          | °C   |
| θ <sub>JA</sub>  | Thermal Resistance (Note 2)                     |                                      | 110.7   | °C/W |
| MSL              | Moisture Sensitivity                            | Level 1                              |   |      |

Stresses exceeding those listed in the Maximum Ratings table may damage the device. If any of these limits are exceeded, device functionality should not be assumed, damage may occur and reliability may be affected.

1. I<sub>O</sub> absolute maximum rating must be observed.
2. Measured with minimum pad spacing on an FR4 board, using 10 mm-by-1 inch, 2 ounce copper trace no air flow.

## RECOMMENDED OPERATING CONDITIONS

| Symbol          | Parameter  | Min         | Typ | Max                    | Unit |
|-----------------|--|-------------|-----|------------------------|------|
| V <sub>CC</sub> | Supply Voltage Operating Functional  | 1.65<br>1.2 |     | 3.6<br>3.6             | V    |
| V <sub>I</sub>  | Input Voltage  | 0           |     | 5.5                    | V    |
| V <sub>O</sub>  | Output Voltage<br>HIGH or LOW State<br>3-State   | 0<br>0      |     | V <sub>CC</sub><br>5.5 | V    |
| I <sub>OH</sub> | HIGH Level Output Current<br>V <sub>CC</sub> = 3.0 V – 3.6 V V <sub>CC</sub> = 2.7 V – 3.0 V             |             |     | -24<br>-12             | mA   |
| I <sub>OL</sub> | LOW Level Output Current<br>V <sub>CC</sub> = 3.0 V – 3.6 V V <sub>CC</sub> = 2.7 V – 3.0 V              |             |     | 24<br>12               | mA   |
| T <sub>A</sub>  | Operating Free-Air Temperature   | -40         |     | +125                   | °C   |
| Δt/ΔV           | Input Transition Rise or Fall Rate,<br>V <sub>CC</sub> = 1.65 to 2.7 V<br>V <sub>CC</sub> = 2.7 to 3.6 V | 0<br>0      |     | 20<br>10               | ns/V |

Functional operation above the stresses listed in the Recommended Operating Ranges is not implied. Extended exposure to stresses beyond the Recommended Operating Ranges limits may affect device reliability.

# 74LVC574A

## DC ELECTRICAL CHARACTERISTICS

| Symbol           | Parameter                 | Conditions  | -40 to +85°C           |                 |                        | -40 to +125°C          |                 |                        | Unit |
|------------------|---------------------------|---|------------------------|-----------------|------------------------|------------------------|-----------------|------------------------|------|
|                  |                           |   | Min                    | Typ<br>(Note 3) | Max                    | Min                    | Typ<br>(Note 3) | Max                    |      |
| V <sub>IH</sub>  | HIGH-level input voltage  | V <sub>CC</sub> = 1.2 V   | 1.08                   | –               | –                      | 1.08                   | –               | –                      | V    |
|                  |                           | V <sub>CC</sub> = 1.65 V to 1.95 V  | 0.65 x V <sub>CC</sub> | –               | –                      | 0.65 x V <sub>CC</sub> | –               | –                      |      |
|                  |                           | V <sub>CC</sub> = 2.3 V to 2.7 V  | 1.7                    | –               | –                      | 1.7                    | –               | –                      |      |
|                  |                           | V <sub>CC</sub> = 2.7 V to 3.6 V  | 2.0                    | –               | –                      | 2.0                    | –               | –                      |      |
| V <sub>IL</sub>  | LOW-level input voltage   | V <sub>CC</sub> = 1.2 V   | –                      | –               | 0.12                   | –                      | –               | 0.12                   | V    |
|                  |                           | V <sub>CC</sub> = 1.65 V to 1.95 V  | –                      | –               | 0.35 x V <sub>CC</sub> | –                      | –               | 0.35 x V <sub>CC</sub> |      |
|                  |                           | V <sub>CC</sub> = 2.3 V to 2.7 V  | –                      | –               | 0.7                    | –                      | –               | 0.7                    |      |
|                  |                           | V <sub>CC</sub> = 2.7 V to 3.6 V  | –                      | –               | 0.8                    | –                      | –               | 0.8                    |      |
| V <sub>OH</sub>  | HIGH-level output voltage | V <sub>I</sub> = V <sub>IH</sub> or V <sub>IL</sub>   |                        |                 |                        |                        |                 |                        | V    |
|                  |                           | I <sub>O</sub> = –100 μA;<br>V <sub>CC</sub> = 1.65 V to 3.6 V  | V <sub>CC</sub> – 0.2  | –               | –                      | V <sub>CC</sub> – 0.3  | –               | –                      |      |
|                  |                           | I <sub>O</sub> = –4 mA; V <sub>CC</sub> = 1.65 V  | 1.2                    | –               | –                      | 1.05                   | –               | –                      |      |
|                  |                           | I <sub>O</sub> = –8 mA; V <sub>CC</sub> = 2.3 V   | 1.8                    | –               | –                      | 1.65                   | –               | –                      |      |
|                  |                           | I <sub>O</sub> = –12 mA; V <sub>CC</sub> = 2.7 V  | 2.2                    | –               | –                      | 2.05                   | –               | –                      |      |
|                  |                           | I <sub>O</sub> = –18 mA; V <sub>CC</sub> = 3.0 V  | 2.4                    | –               | –                      | 2.25                   | –               | –                      |      |
|                  |                           | I <sub>O</sub> = –24 mA; V <sub>CC</sub> = 3.0 V  | 2.2                    | –               | –                      | 2.0                    | –               | –                      |      |
| V <sub>OL</sub>  | LOW-level output voltage  | V <sub>I</sub> = V <sub>IH</sub> or V <sub>IL</sub>   |                        |                 |                        |                        |                 |                        | V    |
|                  |                           | I <sub>O</sub> = 100 μA;<br>V <sub>CC</sub> = 1.65 V to 3.6 V   | –                      | –               | 0.2                    | –                      | –               | 0.3                    |      |
|                  |                           | I <sub>O</sub> = 4 mA; V <sub>CC</sub> = 1.65 V   | –                      | –               | 0.45                   | –                      | –               | 0.65                   |      |
|                  |                           | I <sub>O</sub> = 8 mA; V <sub>CC</sub> = 2.3 V  | –                      | –               | 0.6                    | –                      | –               | 0.8                    |      |
|                  |                           | I <sub>O</sub> = 12 mA; V <sub>CC</sub> = 2.7 V   | –                      | –               | 0.4                    | –                      | –               | 0.6                    |      |
|                  |                           | I <sub>O</sub> = 24 mA; V <sub>CC</sub> = 3.0 V   | –                      | –               | 0.55                   | –                      | –               | 0.8                    |      |
| I <sub>I</sub>   | Input leakage current     | V <sub>I</sub> = 5.5 V or GND;<br>V <sub>CC</sub> = 3.6 V   | –                      | ±0.1            | ±5                     | –                      | ±0.1            | ±20                    | μA   |
| I <sub>OZ</sub>  | OFF-state output current  | V <sub>I</sub> = V <sub>IH</sub> or V <sub>IL</sub> ;<br>V <sub>O</sub> = 5.5 V or GND;<br>V <sub>CC</sub> = 3.6 V    | –                      | ±0.1            | ±5                     | –                      | ±0.1            | ±20                    | μA   |
| I <sub>OFF</sub> | Power-off leakage current | V <sub>I</sub> or V <sub>O</sub> = 5.5 V; V <sub>CC</sub> = 0.0 V   | –                      | ±0.1            | ±10                    | –                      | ±0.1            | ±20                    | μA   |
| I <sub>CC</sub>  | Supply current            | V <sub>I</sub> = V <sub>CC</sub> or GND; I <sub>O</sub> = 0 A;<br>V <sub>CC</sub> = 3.6 V                             | –                      | 0.1             | 10                     | –                      | 0.1             | 40                     | μA   |
| ΔI <sub>CC</sub> | Additional supply current | per input pin;<br>V <sub>I</sub> = V <sub>CC</sub> – 0.6 V; I <sub>O</sub> = 0 A;<br>V <sub>CC</sub> = 2.7 V to 3.6 V | –                      | 5               | 500                    | –                      | 5               | 5000                   | μA   |

Product parametric performance is indicated in the Electrical Characteristics for the listed test conditions, unless otherwise noted. Product performance may not be indicated by the Electrical Characteristics if operated under different conditions.

3. All typical values are measured at T<sub>A</sub> = 25°C and V<sub>CC</sub> = 3.3 V, unless stated otherwise.

# 74LVC574A

## AC ELECTRICAL CHARACTERISTICS ( $t_R = t_F = 2.5 \text{ ns}$ )

| Symbol             | Parameter                              | Conditions                         | -40 to +85°C |                 |      | -40 to +125°C |                 |      | Unit |
|--------------------|--|------------------------------------|--------------|-----------------|------|---------------|-----------------|------|------|
|                    |  |                                    | Min          | Typ<br>(Note 4) | Max  | Min           | Typ<br>(Note 4) | Max  |      |
| t <sub>pd</sub>    | Propagation Delay (Note 5)<br>CP to On | V <sub>CC</sub> = 1.2 V            | –            | 17.0            | –    | –             | –               | –    | ns   |
|                    |  | V <sub>CC</sub> = 1.65 V to 1.95 V | 4.6          | 6.4             | 13.1 | 4.6           | –               | 15.1 |      |
|                    |  | V <sub>CC</sub> = 2.3 V to 2.7 V   | 2.6          | 3.9             | 7.9  | 2.6           | –               | 9.1  |      |
|                    |  | V <sub>CC</sub> = 2.7 V            | 1.5          | 3.7             | 8.0  | 1.5           | –               | 10.0 |      |
|                    |  | V <sub>CC</sub> = 3.0 V to 3.6 V   | 1.5          | 3.5             | 7.0  | 1.5           | –               | 9.0  |      |
| t <sub>en</sub>    | Enable Time (Note 6)<br>OE to On       | V <sub>CC</sub> = 1.2 V            | –            | 19.0            | –    | –             | –               | –    | ns   |
|                    |  | V <sub>CC</sub> = 1.65 V to 1.95 V | 1.5          | 7.0             | 17.1 | 1.5           | –               | 19.8 |      |
|                    |  | V <sub>CC</sub> = 2.3 V to 2.7 V   | 1.5          | 4.0             | 9.4  | 1.5           | –               | 10.9 |      |
|                    |  | V <sub>CC</sub> = 2.7 V            | 1.5          | 4.1             | 8.5  | 1.5           | –               | 11.0 |      |
|                    |  | V <sub>CC</sub> = 3.0 V to 3.6 V   | 1.5          | 3.2             | 7.5  | 1.5           | –               | 9.5  |      |
| t <sub>dis</sub>   | Disable Time (Note 7)<br>OE to On      | V <sub>CC</sub> = 1.2 V            | –            | 9.0             | –    | –             | –               | –    | ns   |
|                    |  | V <sub>CC</sub> = 1.65 V to 1.95 V | 2.5          | 4.1             | 10.1 | 2.5           | –               | 11.6 |      |
|                    |  | V <sub>CC</sub> = 2.3 V to 2.7 V   | 1.0          | 2.3             | 5.7  | 1.0           | –               | 6.6  |      |
|                    |  | V <sub>CC</sub> = 2.7 V            | 1.5          | 3.1             | 6.5  | 1.5           | –               | 8.5  |      |
|                    |  | V <sub>CC</sub> = 3.0 V to 3.6 V   | 1.5          | 2.9             | 6.0  | 1.5           | –               | 7.5  |      |
| t <sub>w</sub>     | Pulse Width<br>Clock HIGH or LOW       | V <sub>CC</sub> = 1.65 V to 1.95 V | 5.0          | –               | –    | 5.0           | –               | –    | ns   |
|                    |  | V <sub>CC</sub> = 2.3 V to 2.7 V   | 4.0          | –               | –    | 4.0           | –               | –    |      |
|                    |  | V <sub>CC</sub> = 2.7 V            | 3.3          | –               | –    | 3.3           | –               | –    |      |
|                    |  | V <sub>CC</sub> = 3.0 V to 3.6 V   | 3.3          | 1.7             | –    | 3.3           | –               | –    |      |
| t <sub>su</sub>    | Set-up Time<br>Dn to CP                | V <sub>CC</sub> = 1.65 V to 1.95 V | 4.0          | –               | –    | 4.0           | –               | –    | ns   |
|                    |  | V <sub>CC</sub> = 2.3 V to 2.7 V   | 2.5          | –               | –    | 2.5           | –               | –    |      |
|                    |  | V <sub>CC</sub> = 2.7 V            | 2.0          | –               | –    | 2.0           | –               | –    |      |
|                    |  | V <sub>CC</sub> = 3.0 V to 3.6 V   | 2.0          | 0.3             | –    | 2.0           | –               | –    |      |
| t <sub>h</sub>     | Hold Time<br>Dn to CP                  | V <sub>CC</sub> = 1.65 V to 1.95 V | 3.0          | –               | –    | 3.0           | –               | –    | ns   |
|                    |  | V <sub>CC</sub> = 2.3 V to 2.7 V   | 2.0          | –               | –    | 2.0           | –               | –    |      |
|                    |  | V <sub>CC</sub> = 2.7 V            | 1.5          | –               | –    | 1.5           | –               | –    |      |
|                    |  | V <sub>CC</sub> = 3.0 V to 3.6 V   | 1.5          | –0.2            | –    | 1.5           | –               | –    |      |
| f <sub>max</sub>   | Maximum Frequency                      | V <sub>CC</sub> = 1.65 V to 1.95 V | 100          | –               | –    | 80            | –               | –    | MHz  |
|                    |  | V <sub>CC</sub> = 2.3 V to 2.7 V   | 125          | –               | –    | 100           | –               | –    |      |
|                    |  | V <sub>CC</sub> = 2.7 V            | 150          | –               | –    | 120           | –               | –    |      |
|                    |  | V <sub>CC</sub> = 3.0 V to 3.6 V   | 150          | 200             | –    | 120           | –               | –    |      |
| t <sub>sk(0)</sub> | Output Skew Time (Note 8)              |                                    | –            | –               | 1.0  | –             | –               | 1.5  | ns   |

Product parametric performance is indicated in the Electrical Characteristics for the listed test conditions, unless otherwise noted. Product performance may not be indicated by the Electrical Characteristics if operated under different conditions.

4. Typical values are measured at T<sub>A</sub> = 25°C and V<sub>CC</sub> = 3.3 V, unless stated otherwise.

5. t<sub>pd</sub> is the same as t<sub>PLH</sub> and t<sub>PHL</sub>.

6. t<sub>en</sub> is the same as t<sub>PZL</sub> and t<sub>PZH</sub>.

7. t<sub>dis</sub> is the same as t<sub>PLZ</sub> and t<sub>PHZ</sub>.

8. Skew between any two outputs of the same package switching in the same direction. This parameter is guaranteed by design.

# 74LVC574A

## DYNAMIC SWITCHING CHARACTERISTICS

| Symbol | Characteristic                         | Condition  | T <sub>A</sub> = +25°C |              |     | Unit |
|--------|--|--|------------------------|--------------|-----|------|
|        |  |  | Min                    | Typ          | Max |      |
| VOLP   | Dynamic LOW Peak Voltage<br>(Note 9)   | V <sub>CC</sub> = 3.3 V, C <sub>L</sub> = 50 pF, V <sub>IH</sub> = 3.3 V, V <sub>IL</sub> = 0 V<br>V <sub>CC</sub> = 2.5 V, C <sub>L</sub> = 30 pF, V <sub>IH</sub> = 2.5 V, V <sub>IL</sub> = 0 V |                        | 0.8<br>0.6   |     | V    |
| VOLV   | Dynamic LOW Valley Voltage<br>(Note 9) | V <sub>CC</sub> = 3.3 V, C <sub>L</sub> = 50 pF, V <sub>IH</sub> = 3.3 V, V <sub>IL</sub> = 0 V<br>V <sub>CC</sub> = 2.5 V, C <sub>L</sub> = 30 pF, V <sub>IH</sub> = 2.5 V, V <sub>IL</sub> = 0 V |                        | -0.8<br>-0.6 |     | V    |

9. Number of outputs defined as "n". Measured with "n-1" outputs switching from HIGH-to-LOW or LOW-to-HIGH. The remaining output is measured in the LOW state.

## CAPACITIVE CHARACTERISTICS

| Symbol | Parameter                                  | Condition  | Typical | Unit |
|--------|--|--|---------|------|
| CIN    | Input Capacitance                          | V <sub>CC</sub> = 3.3 V, V <sub>I</sub> = 0 V or V <sub>CC</sub> | 5.0     | pF   |
| COUT   | Output Capacitance                         | V <sub>CC</sub> = 3.3 V, V <sub>I</sub> = 0 V or V <sub>CC</sub> | 6.0     | pF   |
| CPD    | Power Dissipation Capacitance<br>(Note 10) | Per flip-flop; V <sub>I</sub> = GND or V <sub>CC</sub>           |         | pF   |
|        |  | V <sub>CC</sub> = 1.65 V to 1.95 V                               | 11.2    |      |
|        |  | V <sub>CC</sub> = 2.3 V to 2.7 V                                 | 13.2    |      |
|        |  | V <sub>CC</sub> = 3.0 V to 3.6 V                                 | 14.9    |      |

10. CPD is used to determine the dynamic power dissipation (PD in μW).

$$P_D = C_{PD} \times V_{CC}^2 \times f_i \times N + \Sigma(C_L \times V_{CC}^2 \times f_o) \text{ where:}$$

f<sub>i</sub> = input frequency in MHz; f<sub>o</sub> = output frequency in MHz

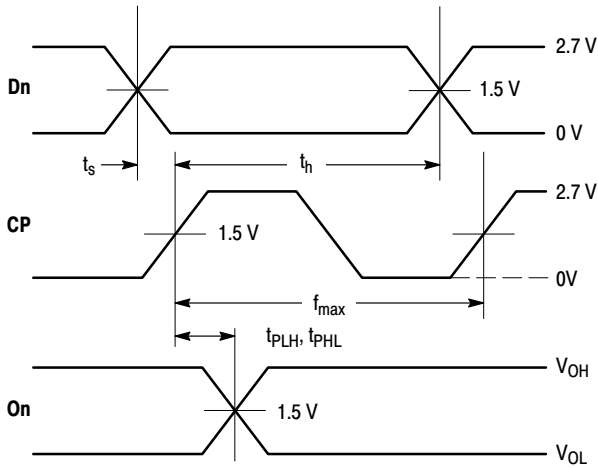
C<sub>L</sub> = output load capacitance in pF

V<sub>CC</sub> = supply voltage in Volts

N = number of outputs switching

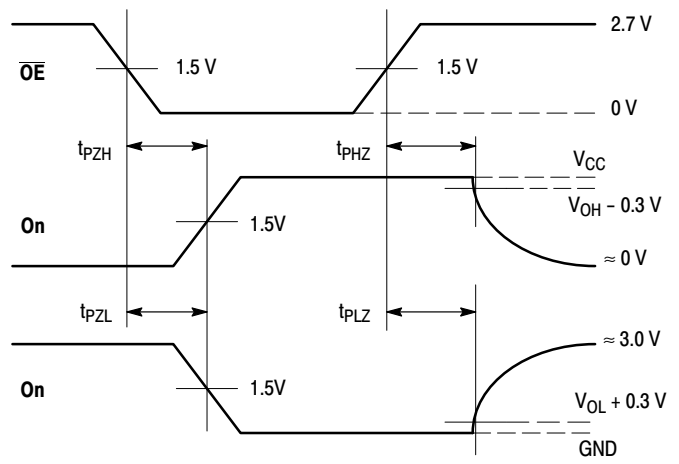
Σ(C<sub>L</sub> × V<sub>CC</sub><sup>2</sup> × f<sub>o</sub>) = sum of the outputs

# 74LVC574A



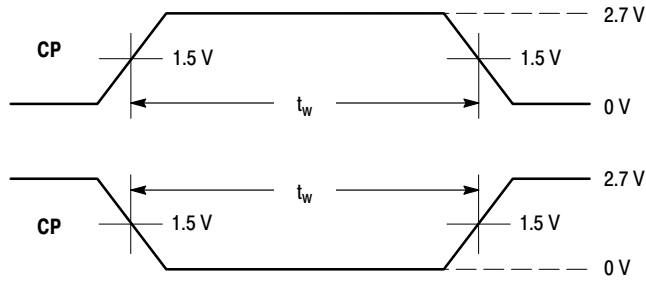
**WAVEFORM 1 – PROPAGATION DELAYS, SETUP AND HOLD TIMES**

$t_R = t_F = 2.5 \text{ ns}$ , 10% to 90%;  $f = 1 \text{ MHz}$ ;  $t_W = 500 \text{ ns}$



**WAVEFORM 2 – OUTPUT ENABLE AND DISABLE TIMES**

$t_R = t_F = 2.5 \text{ ns}$ , 10% to 90%;  $f = 1 \text{ MHz}$ ;  $t_W = 500 \text{ ns}$



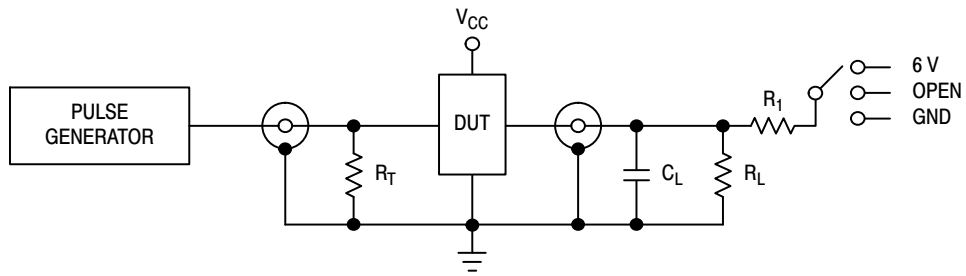
**WAVEFORM 3 – PULSE WIDTH**

$t_R = t_F = 2.5 \text{ ns}$  (or fast as required) from 10% to 90%;  
Output requirements:  $V_{OL} \leq 0.8 \text{ V}$ ,  $V_{OH} \geq 2.0 \text{ V}$

| Symbol          | V <sub>CC</sub>         |                         |                          |
|-----------------|-------------------------|-------------------------|--------------------------|
|                 | 3.3 V ± 0.3 V           | 2.7 V                   | V <sub>CC</sub> < 2.7 V  |
| V <sub>mi</sub> | 1.5 V                   | 1.5 V                   | V <sub>CC</sub> /2       |
| V <sub>mo</sub> | 1.5 V                   | 1.5 V                   | V <sub>CC</sub> /2       |
| V <sub>HZ</sub> | V <sub>OL</sub> + 0.3 V | V <sub>OL</sub> + 0.3 V | V <sub>OL</sub> + 0.15 V |
| V <sub>LZ</sub> | V <sub>OH</sub> - 0.3 V | V <sub>OH</sub> - 0.3 V | V <sub>OH</sub> - 0.15 V |

**Figure 3. AC Waveforms**

# 74LVC574A



| Supply Voltage<br>$V_{CC}$ (V) | Input    |               | Load  |              | VEXT               |                    |                    |
|--------------------------------|----------|---------------|-------|--------------|--------------------|--------------------|--------------------|
|                                | $V_I$    | $t_p, t_f$    | $C_L$ | $R_L$        | $t_{PLH}, t_{PHL}$ | $t_{PLZ}, t_{PZL}$ | $t_{PHZ}, t_{PZH}$ |
| 1.2                            | $V_{CC}$ | $\leq 2$ ns   | 30 pF | 1 k $\Omega$ | Open               | 2 x $V_{CC}$       | GND                |
| 1.65 – 1.95                    | $V_{CC}$ | $\leq 2$ ns   | 30 pF | 1 k $\Omega$ | Open               | 2 x $V_{CC}$       | GND                |
| 2.3 – 2.7                      | $V_{CC}$ | $\leq 2$ ns   | 30 pF | 500 $\Omega$ | Open               | 2 x $V_{CC}$       | GND                |
| 2.7                            | 2.7 V    | $\leq 2.5$ ns | 50 pF | 500 $\Omega$ | Open               | 2 x $V_{CC}$       | GND                |
| 3.0 – 3.6                      | 2.7 V    | $\leq 2.5$ ns | 50 pF | 500 $\Omega$ | Open               | 2 x $V_{CC}$       | GND                |

Figure 4. Test Circuit

## ORDERING INFORMATION

| Device         | Package               | Shipping†          |
|----------------|-----------------------|--------------------|
| 74LVC574ADTR2G | TSSOP-20<br>(Pb-Free) | 2500 / Tape & Reel |

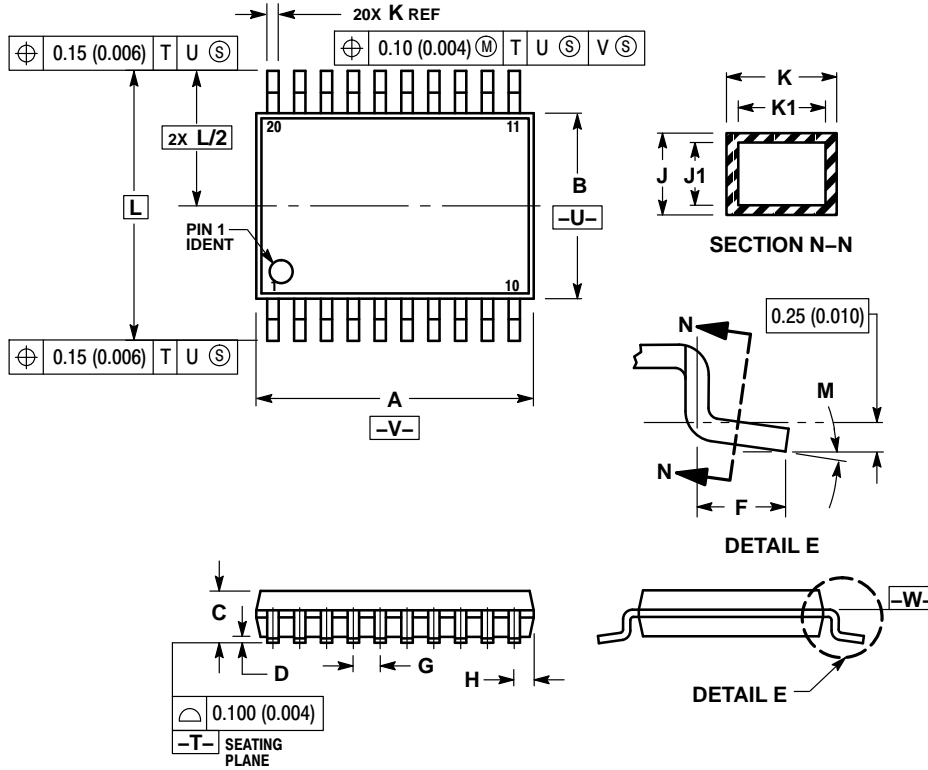
†For information on tape and reel specifications, including part orientation and tape sizes, please refer to our Tape and Reel Packaging Specifications Brochure, BRD8011/D.



# 74LVC574A

## PACKAGE DIMENSIONS

TSSOP-20  
DT SUFFIX  
CASE 948E-02  
ISSUE C

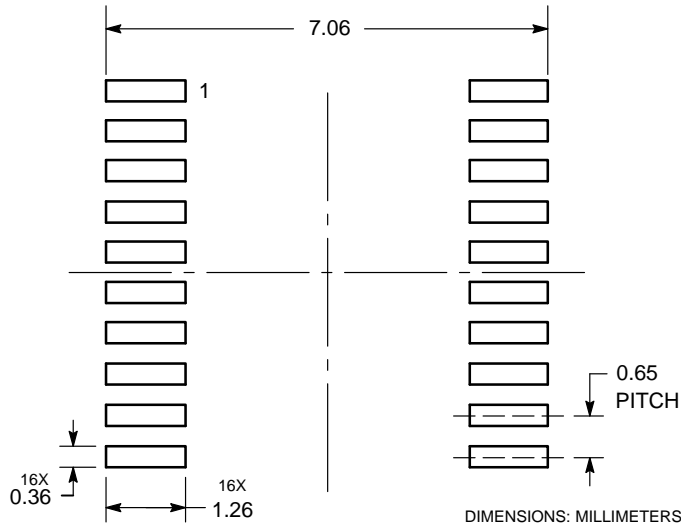


**NOTES:**

1. DIMENSIONING AND TOLERANCING PER ANSI Y14.5M, 1982.
2. CONTROLLING DIMENSION: MILLIMETER.
3. DIMENSION A DOES NOT INCLUDE MOLD FLASH, PROTRUSIONS OR GATE BURRS. MOLD FLASH OR GATE BURRS SHALL NOT EXCEED 0.15 (0.006) PER SIDE.
4. DIMENSION B DOES NOT INCLUDE INTERLEAD FLASH OR PROTRUSION. INTERLEAD FLASH OR PROTRUSION SHALL NOT EXCEED 0.25 (0.010) PER SIDE.
5. DIMENSION K DOES NOT INCLUDE DAMBAR PROTRUSION. ALLOWABLE DAMBAR PROTRUSION SHALL BE 0.08 (0.003) TOTAL IN EXCESS OF THE K DIMENSION AT MAXIMUM MATERIAL CONDITION.
6. TERMINAL NUMBERS ARE SHOWN FOR REFERENCE ONLY.
7. DIMENSION A AND B ARE TO BE DETERMINED AT DATUM PLANE  $-W-$ .

| DIM | MILLIMETERS |      | INCHES    |       |
|-----|-------------|------|-----------|-------|
|     | MIN         | MAX  | MIN       | MAX   |
| A   | 6.40        | 6.60 | 0.252     | 0.260 |
| B   | 4.30        | 4.50 | 0.169     | 0.177 |
| C   | ---         | 1.20 | ---       | 0.047 |
| D   | 0.05        | 0.15 | 0.002     | 0.006 |
| F   | 0.50        | 0.75 | 0.020     | 0.030 |
| G   | 0.65 BSC    |      | 0.026 BSC |       |
| H   | 0.27        | 0.37 | 0.011     | 0.015 |
| J   | 0.09        | 0.20 | 0.004     | 0.008 |
| J1  | 0.09        | 0.16 | 0.004     | 0.006 |
| K   | 0.19        | 0.30 | 0.007     | 0.012 |
| K1  | 0.19        | 0.25 | 0.007     | 0.010 |
| L   | 6.40 BSC    |      | 0.252 BSC |       |
| M   | 0°          | 8°   | 0°        | 8°    |

### SOLDERING FOOTPRINT\*



\*For additional information on our Pb-Free strategy and soldering details, please download the ON Semiconductor Soldering and Mounting Techniques Reference Manual, SOLDERRM/D.

ON Semiconductor and the  are registered trademarks of Semiconductor Components Industries, LLC (SCILLC) or its subsidiaries in the United States and/or other countries. SCILLC owns the rights to a number of patents, trademarks, copyrights, trade secrets, and other intellectual property. A listing of SCILLC's product/patent coverage may be accessed at [www.onsemi.com/site/pdf/Patent-Marking.pdf](http://www.onsemi.com/site/pdf/Patent-Marking.pdf). SCILLC reserves the right to make changes without further notice to any products herein. SCILLC makes no warranty, representation or guarantee regarding the suitability of its products for any particular purpose, nor does SCILLC assume any liability arising out of the application or use of any product or circuit, and specifically disclaims any and all liability, including without limitation special, consequential or incidental damages. "Typical" parameters which may be provided in SCILLC data sheets and/or specifications can and do vary in different applications and actual performance may vary over time. All operating parameters, including "Typicals" must be validated for each customer application by customer's technical experts. SCILLC does not convey any license under its patent rights nor the rights of others. SCILLC products are not designed, intended, or authorized for use as components in systems intended for surgical implant into the body, or other applications intended to support or sustain life, or for any other application in which the failure of the SCILLC product could create a situation where personal injury or death may occur. Should Buyer purchase or use SCILLC products for any such unintended or unauthorized application, Buyer shall indemnify and hold SCILLC and its officers, employees, subsidiaries, affiliates, and distributors harmless against all claims, costs, damages, and expenses, and reasonable attorney fees arising out of, directly or indirectly, any claim of personal injury or death associated with such unintended or unauthorized use, even if such claim alleges that SCILLC was negligent regarding the design or manufacture of the part. SCILLC is an Equal Opportunity/Affirmative Action Employer. This literature is subject to all applicable copyright laws and is not for resale in any manner.

## PUBLICATION ORDERING INFORMATION

### LITERATURE FULFILLMENT:

Literature Distribution Center for ON Semiconductor  
P.O. Box 5163, Denver, Colorado 80217 USA  
**Phone:** 303-675-2175 or 800-344-3860 Toll Free USA/Canada  
**Fax:** 303-675-2176 or 800-344-3867 Toll Free USA/Canada  
**Email:** [orderlit@onsemi.com](mailto:orderlit@onsemi.com)

**N. American Technical Support:** 800-282-9855 Toll Free  
USA/Canada  
**Europe, Middle East and Africa Technical Support:**  
Phone: 421 33 790 2910  
**Japan Customer Focus Center**  
Phone: 81-3-5817-1050

**ON Semiconductor Website:** [www.onsemi.com](http://www.onsemi.com)  
**Order Literature:** <http://www.onsemi.com/orderlit>  
For additional information, please contact your local  
Sales Representative



Компания «ЭлектроПласт» предлагает заключение долгосрочных отношений при поставках импортных электронных компонентов на взаимовыгодных условиях!

Наши преимущества:

- Оперативные поставки широкого спектра электронных компонентов отечественного и импортного производства напрямую от производителей и с крупнейших мировых складов;
- Поставка более 17-ти миллионов наименований электронных компонентов;
- Поставка сложных, дефицитных, либо снятых с производства позиций;
- Оперативные сроки поставки под заказ (от 5 рабочих дней);
- Экспресс доставка в любую точку России;
- Техническая поддержка проекта, помощь в подборе аналогов, поставка прототипов;
- Система менеджмента качества сертифицирована по Международному стандарту ISO 9001;
- Лицензия ФСБ на осуществление работ с использованием сведений, составляющих государственную тайну;
- Поставка специализированных компонентов (Xilinx, Altera, Analog Devices, Intersil, Interpoint, Microsemi, Aeroflex, Peregrine, Syfer, Eurofarad, Texas Instrument, Miteq, Cobham, E2V, MA-COM, Hittite, Mini-Circuits, General Dynamics и др.);

Помимо этого, одним из направлений компании «ЭлектроПласт» является направление «Источники питания». Мы предлагаем Вам помощь Конструкторского отдела:

- Подбор оптимального решения, техническое обоснование при выборе компонента;
- Подбор аналогов;
- Консультации по применению компонента;
- Поставка образцов и прототипов;
- Техническая поддержка проекта;
- Защита от снятия компонента с производства.



#### Как с нами связаться

**Телефон:** 8 (812) 309 58 32 (многоканальный)

**Факс:** 8 (812) 320-02-42

**Электронная почта:** [org@eplast1.ru](mailto:org@eplast1.ru)

**Адрес:** 198099, г. Санкт-Петербург, ул. Калинина, дом 2, корпус 4, литера А.