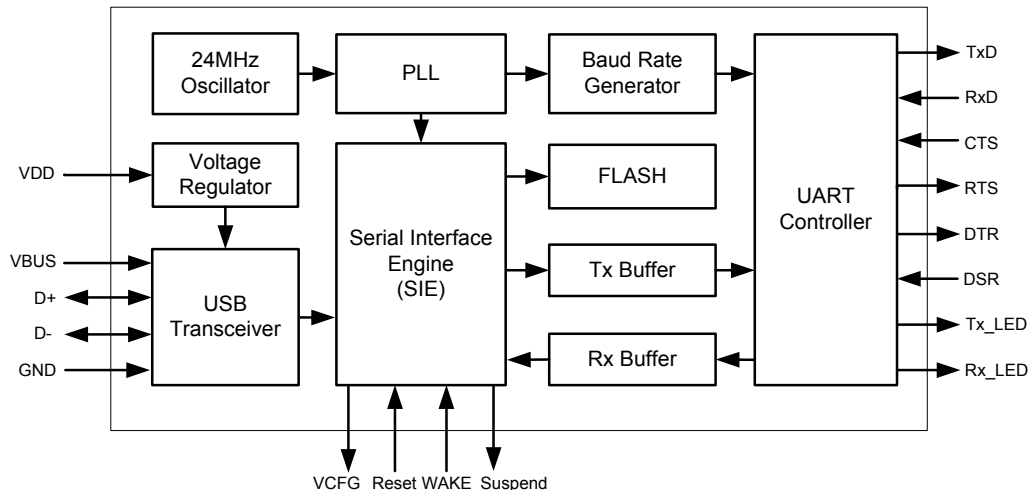


# USB-to-UART Bridge Controller

## Features

- Universal Serial Bus (USB) Integration
  - Full-Speed USB peripheral compliant with USB2.0 specification
  - USB-IF certified with TID 40001425
  - Support for bus-powered and self-powered configurations
  - 3 endpoints (1 Interrupt IN, 1 Bulk OUT and 1 Bulk IN)
  - Integrated USB transceiver, 1.5 kΩ pull-up resistor on D+ line
- Universal Asynchronous Receiver Transmitter (UART)
  - Baud rate generation (300 to 230400)
  - Data format:
    - 8 data bits
    - 1 stop bit
    - No parity, even parity or odd parity
  - Support for Parity, Overrun and Framing errors
  - Supports flow control using CTS,RTS,DTR, DSR
  - LED signals to indicate activity on TxD and RxD lines
- Full device operation from a single voltage supply of 3.3 V or 5 V
- Low power consumption in suspend mode
  - 225 μA at 5 V operating voltage
  - 207 μA at 3.3 V operating voltage
- Integrated 24 MHz oscillator
- Integrated 3.3 V regulator
- Integrated flash to store device configuration
- Software support for ease of development
  - Configuration utility to program device parameters such as VID, PID and string descriptors.
  - Certified Cypress VCP driver for Windows (8 / 7 / Vista / XP)
  - Support for device drivers for Android, Mac, Linux, Window CE 4.2, 5.0, 6.0
- 28-pin SSOP 10 mm × 7.5 mm , RoHS compliant package
- Temperature grade
  - Commercial operating temperature range of 0 °C to +70 °C

**Figure 1. CY7C64225 Block Diagram**



## Contents

<b>Applications</b> .....	<b>3</b>	Interfacing CY7C64225	
<b>Functional Overview</b> .....	<b>3</b>	with Bus Powered Microcontroller .....	11
Introduction .....	3	Interfacing CY7C64225	
<b>Functional Description</b> .....	<b>3</b>	with Self Powered Microcontroller .....	12
USB Interface .....	3	<b>Absolute Maximum Ratings</b> .....	<b>13</b>
UART Controller .....	3	<b>Operating Temperature</b> .....	<b>13</b>
Suspend and Resume .....	3	<b>DC Electrical Characteristics</b> .....	<b>14</b>
WAKE .....	3	DC GPIO Specifications .....	14
Reset .....	3	DC Full-Speed USB Specifications .....	14
Activity Indicators .....	3	<b>Ordering Information</b> .....	<b>15</b>
VCFG .....	4	Ordering Code Definitions .....	15
VBUS .....	4	<b>Packaging Information</b> .....	<b>16</b>
Regulator .....	4	Package Diagrams .....	16
Oscillator .....	4	Thermal Impedance .....	16
Flash .....	4	Solder Reflow Peak Temperature .....	16
<b>Configurations</b> .....	<b>4</b>	<b>Acronyms</b> .....	<b>17</b>
<b>Software and Driver Support</b> .....	<b>4</b>	<b>Reference Documents</b> .....	<b>17</b>
<b>Pin Configuration</b> .....	<b>5</b>	<b>Document Conventions</b> .....	<b>17</b>
28-pin part pinout Description .....	5	Units of Measure .....	17
<b>Application Circuits</b> .....	<b>6</b>	<b>Glossary</b> .....	<b>17</b>
Bus Powered Design .....	6	<b>Document History Page</b> .....	<b>18</b>
Bus Powered Design using External Regulator .....	7	<b>Sales, Solutions, and Legal Information</b> .....	<b>19</b>
Self Powered Design .....	8	Worldwide Sales and Design Support .....	19
<b>Application Diagram</b> .....	<b>9</b>	Products .....	19
USB to RS-232 Converter .....	9	PSoC Solutions .....	19
USB to UART cable with TTL level UART signals .....	10		

## Applications

- Enable USB connectivity in legacy peripherals with UART
- Industrial and Metering devices
- Medical Devices
- Point of Sales (POS)
- USB-to-UART cables, USB to RS-232 cables

## Functional Overview

### Introduction

Cypress's USB-to-UART bridge controller enables seamless PC connectivity for peripherals with UART interface. It integrates a USB 2.0 Full-Speed device controller, UART, voltage regulator, oscillator and flash memory for storing configuration parameters, offering a cost-effective solution. The controller supports bus-powered and self-powered modes, and enables efficient system power management with suspend and remote wake-up signals. It is available in 28-pin SSOP package.

## Functional Description

### USB Interface

The USB-to-UART device supports Full-Speed USB operation and is compliant with USB 2.0 Specification. The integrated USB Serial Interface Engine (SIE) and USB transceiver manage the USB protocol and communication.

### UART Controller

The USB-to-UART device integrates a UART controller which supports the baud rates of 300, 600, 1200, 1800, 2400, 3600, 4800, 7200, 9600, 14400, 19200, 28800, 38400, 56000, 57600, 115200 and 230400\* with even, odd or no parity.

#### *UART Flow Control*

USB-to-UART device supports UART hardware flow control using control signal pairs such as RTS (Request to Send) - CTS (Clear to Send) and DTR (Data Terminal Ready) - DSR (Data Set Ready). Data flow control is disabled by default. The hardware flow control is optional and can be selected from the host application software.

Following is the description of flow control signals:

#### CTS (input):

This signal can pause or resume data transmission over UART interface. Data transmission can be stopped by de-asserting the CTS signal and the data transmission can resume with CTS assertion. The pause and resume operation does not affect data integrity.

#### RTS (Output):

The receive buffer has a watermark level of 80%. Once the data in the receive buffer reaches that level, the RTS signal is de-asserted indicating the transmitting device to stop data transmission. Start of data consumption by application will reduce device data backlog and once it reaches 50% watermark level, RTS signal will be asserted to resume data reception.

#### DTR / DSR:

DTR / DSR signals are used to establish communication link with the UART. These signals complement each other in the functionality like RTS & CTS.

**Note:** Flow control is not supported when operating the device at 230400 Baud rate.

In applications where hardware flow control is desired, the CTS, RTS, DSR and DTR pins of the transmitting device have to be connected to RTS, CTS, DTR and DSR pins of USB-to-UART device respectively. In cases where DTR and DSR pins are not available on the transmitting device, the DTR and DSR pins of USB-to-UART device have to be connected. Please refer the circuit diagram shown in Figure 8 (provide hyperlink to figure 8).

### Suspend and Resume

The USB-to-UART device drives the SUSPEND pin to logic low and enters into a low power mode whenever the USB bus goes into suspend state. This helps to meet the stringent suspend current requirement of the USB 2.0 specification, while using the device in bus powered mode. The device will resume from suspend state under any of the following conditions:

1. Any activity is detected on the USB bus
2. WAKE pin is asserted in order to generate Remote Wake-Up to the host.

### WAKE

WAKE pin is used to generate Remote Wake-Up signal on the USB bus. Remote Wake-Up signal is sent only if the host enables this feature through SET\_FEATURE request. Support for Remote Wake-Up is intimated to the host from the device through configuration descriptor during the USB enumeration process. USB-to-UART device allows enabling/disabling the Remote Wake-Up feature through the configuration utility CyUsbUart.

### Reset

A logic high on the RESET pin of USB-to-UART device resets the device.

### Activity Indicators

Tx\_LED pin and Rx\_LED pin are active low and sink a maximum current of 20 mA each.

**VCFG**

An active low on the VCFG indicates that the VBUS is detected and the device is configured.

**VBUS**

This pin is used for VBUS detection. A series resistor is required on this pin.

**Regulator**

The USB-to-UART device integrates a 3.3 V voltage regulator which can be powered by the USB bus or an external power supply.

**Oscillator**

The USB-to-UART device integrates a 24 MHz oscillator which is used as a reference clock for SIE and UART interface.

**Flash**

The USB-to-UART device integrates a flash to store device parameters such as VID, PID, product string descriptor, manufacturer string descriptor and power mode (self-powered or bus-powered). Please refer [Table 1](#) for the list of configurable parameters.

**Configurations**

The internal flash can be used to configure the device parameters listed in [Table 1](#).

**Table 1. Internal Flash Default Values**

Name	Default Value
VID / PID	0x04B4 / 0x0008
Manufacturer string descriptor	2012 Cypress Semiconductor
Product string descriptor	Cypress-USB2UART-Ver1.0G
Bus/Self Powered	Self
Remote Wake-Up	Enabled
Max. Power (mA)	100

**Software and Driver Support**

CyUsbUart configuration utility can be used to configure the parameters listed in [Table 1](#). The configuration utility is available for download from <http://www.cypress.com/?rID=61047>.

The Cypress driver allows existing COM port based applications to communicate via USB to Cypress’s USB-to-UART device.

The driver serves the following purposes:

- Add UART port to PCs without UART port
- Add an additional UART port to the PC
- Facilitate easy migration for systems which have a free USB port and need an additional UART port

The driver is available for download from <http://www.cypress.com/?rID=63794>. This driver is WHQL certified for the default Cypress VID / PID of 0x04B4 / 0x0008.

## Pin Configuration

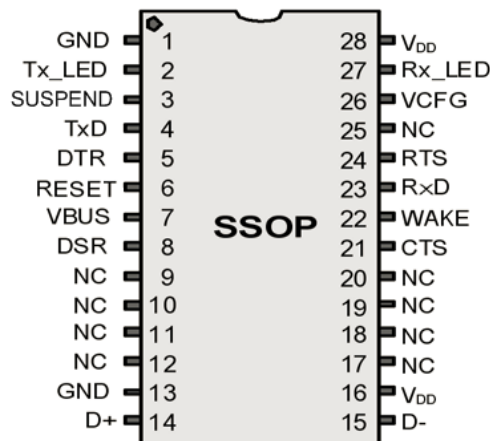
### 28-pin part pinout Description

The CY7C64225 USB-to-UART Bridge device is available in a 28-pin package as shown in Figure 2. The pin description is listed in Table 2.

Table 2. 28-pin part pinout (SSOP)

Pin No.	Name	I/O	Description
1	GND	Power	Ground
2	Tx_LED	Output	Active low, UART Tx_LED, max current –20 mA
3	SUSPEND	Output	Active low indicates USB is suspended
4	TxD	Output	UART Data Transmit, Output
5	DTR	Output	Data Terminal Ready (DTR) Pin
6	RESET	Input	Active high on this pin resets the device
7	VBUS	Input	Used for VBUS monitoring. This pin requires a series resistor when connected to VBUS. The recommended values are in the range of 1 kΩ–10 kΩ.
8	DSR	Input	Data Set Ready (DSR) pin
13	GND	Power	USB Ground
14	D+	USB	USB D+ Line
15	D–	USB	USB D– Line
16	V <sub>DD</sub>	Power	Supply Voltage (3.3 V or 5 V)
21	CTS	Input	Clear to Send (CTS) input, handshake signal
22	WAKE	Input	Active high on this pin, generates Remote Wake-Up signal on the Bus
23	RxD	Input	UART Data Receive, Input
24	RTS	Output	Request to Sent (RTS) output, handshake signal
26	VCFG	Output	Active low indicates VBUS is detected and device is configured
27	Rx_LED	Output	Active low, UART Rx_LED, max current –20 mA
28	V <sub>DD</sub>	Power	Supply Voltage. 3.3 V or 5 V
9	NC	NC	No Connect
10	NC	NC	No Connect
11	NC	NC	No Connect
12	NC	NC	No Connect
17	NC	NC	No Connect
18	NC	NC	No Connect
19	NC	NC	No Connect
20	NC	NC	No Connect
25	NC	NC	No Connect

Figure 2. CY7C64225 USB-UART Bridge Device



### Application Circuits

The following diagrams illustrates typical application schematics circuits.

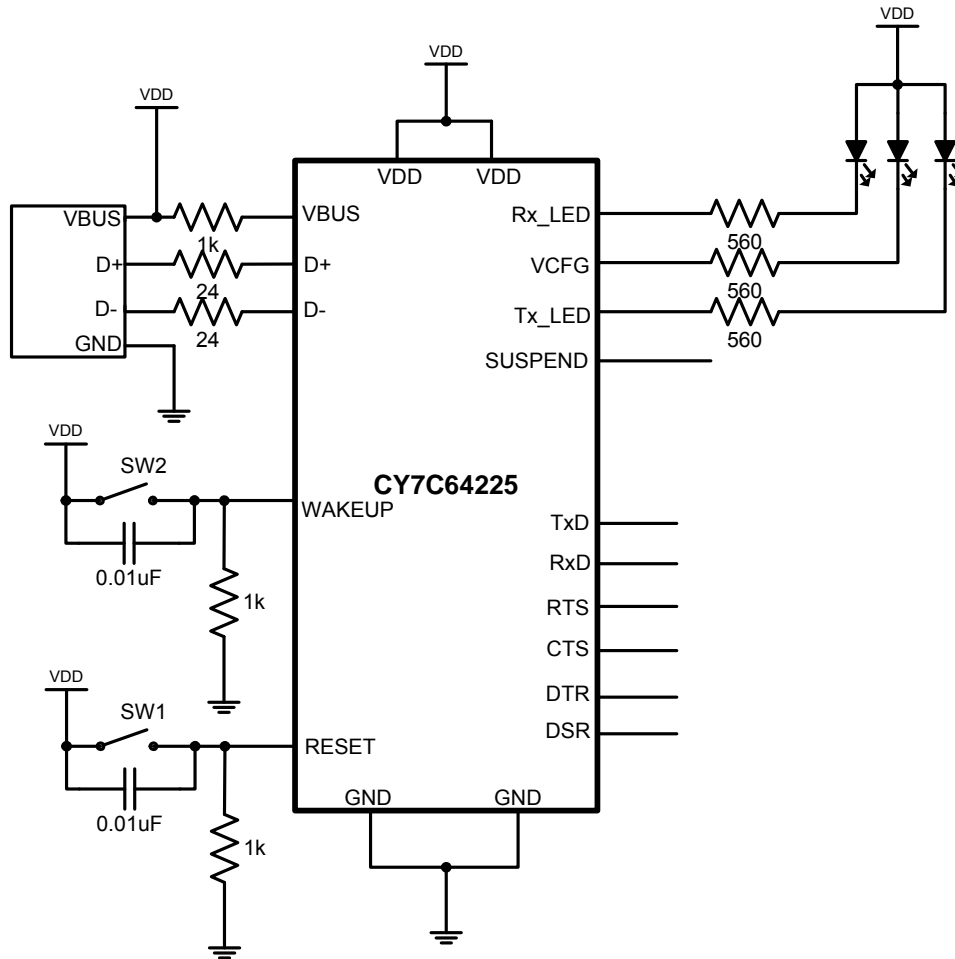
#### Bus Powered Design

The figure below illustrates the USB bus powered design using CY7C64225. The internal voltage regulator provides the 3.3 V

required by the internal USB transceiver. The device parameters such as 'Power consumption' and 'Bus / Self Powered' in the internal flash can be modified as required by the application, using the configuration utility CyUsbUart.

A 1K series resistor is required for VBUS pin of CY7C64225 in this configuration.

Figure 3. Bus Powered Configuration



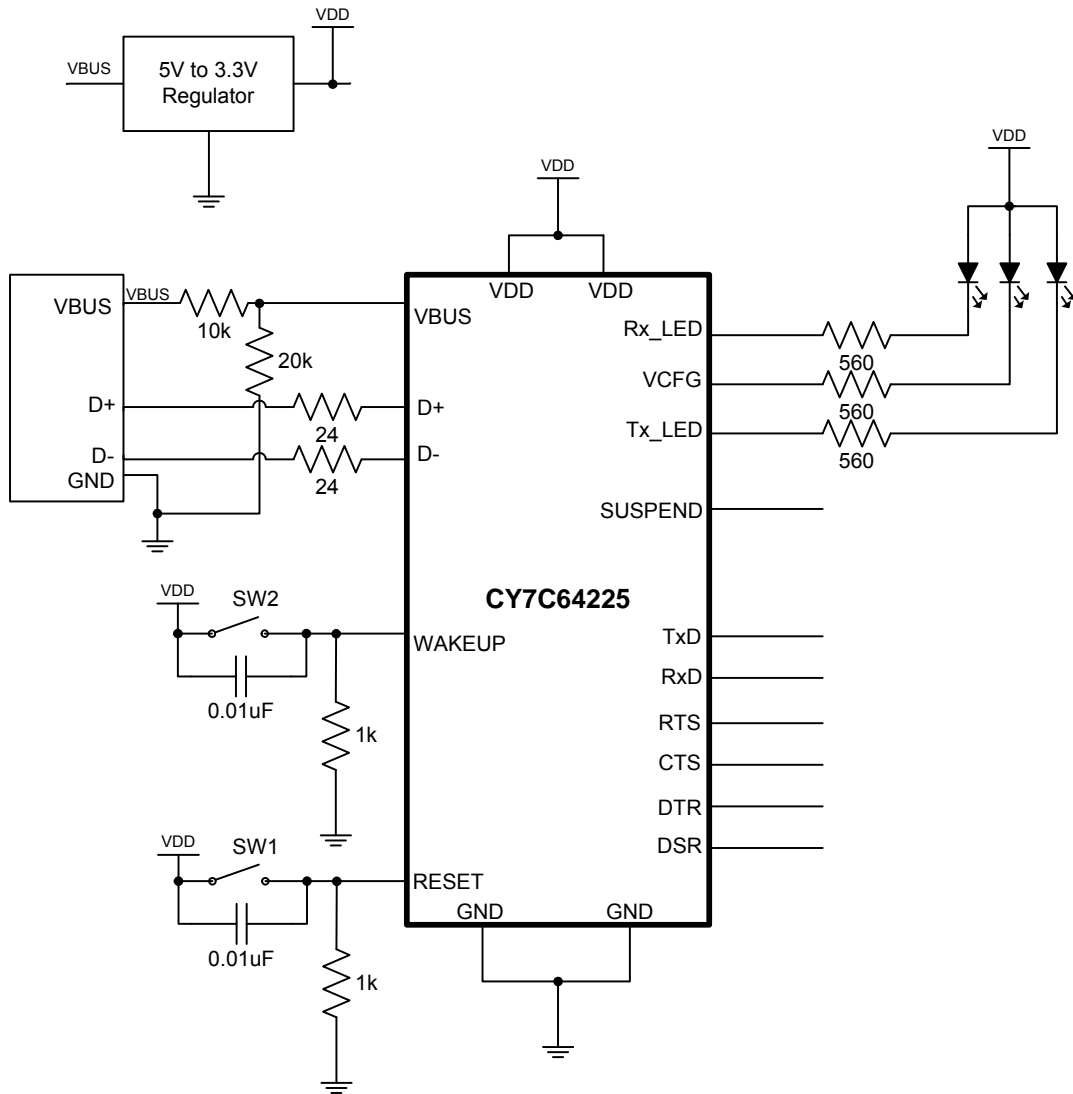
**Bus Powered Design using External Regulator**

Figure 4 illustrates the use of CY7C64225 in bus powered mode but running at 3.3 V. This design can be adopted when the circuit operating at 3.3 V is desired (RX, TX, RTS, CTS, DSR, DTR at 3.3 V).

This design uses an external 5 V to 3.3 V regulator to supply the 3.3 V to CY7C64225 from VBUS. The 3.3 V to CY7C64225 can also be provided from a regulator which is already available on the circuit board, being used for other components on the board.

Since the circuit is operating at 3.3 V, a voltage divider is used to provide 3.3 V from VBUS of USB port to 'VBUS' pin of CY7C64225.

**Figure 4. Bus Powered Design using External Regulator**



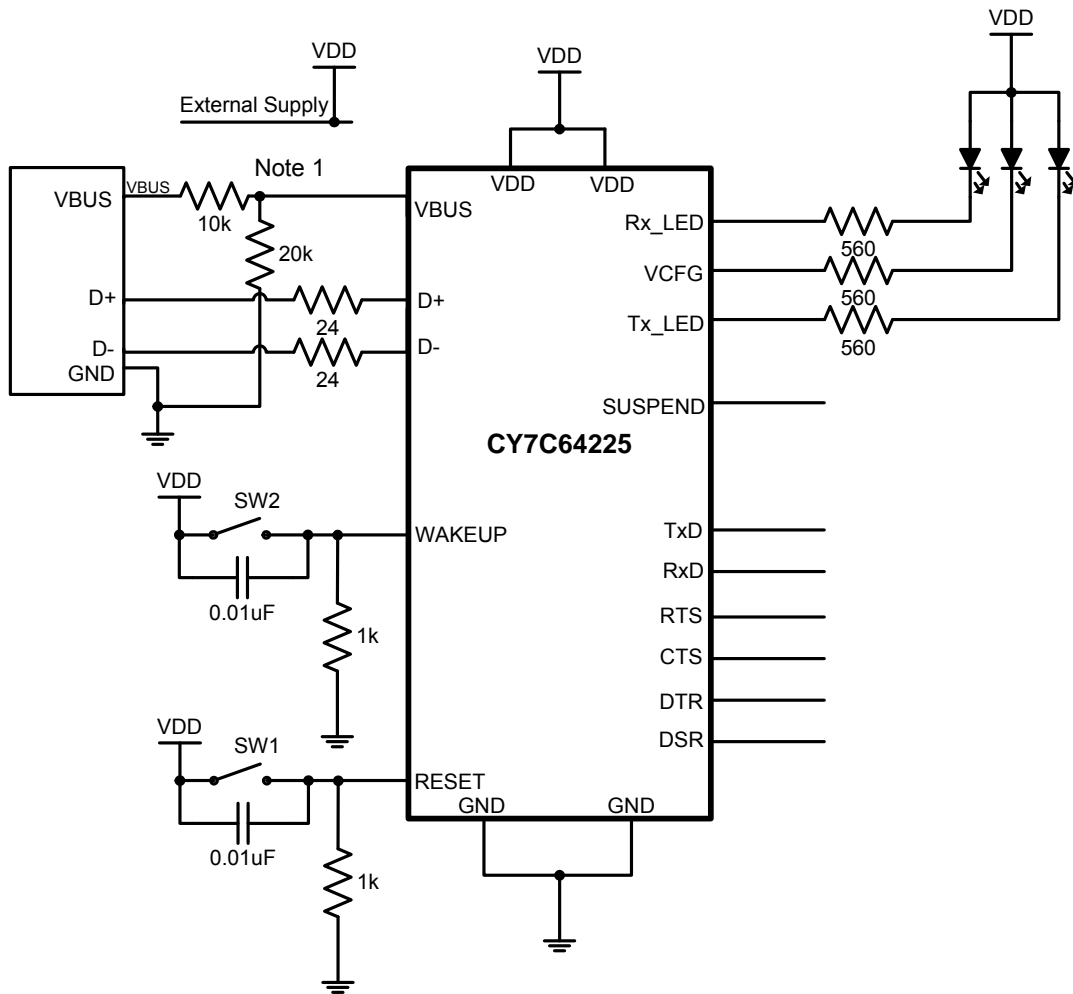
**Self Powered Design**

Figure 5 illustrates the use of CY7C64225 in self powered mode operating at 3.3 V. VDD is obtained from an external power supply. As shown in Figure 5, a voltage divider circuit is used to

provide 3.3 V from VBUS of USB port to VBUS pin of CY7C64225.

A self powered device can draw more current for its operation from external supply during USB active mode as well as suspend mode as this will not affect the operation of the USB.

**Figure 5. Self Powered Design (VDD = 3.3 V)**



**Note**

1. Replace the voltage divider circuit (10K and 20K resistors) with 1K series resistor as shown in Figure 3, if 5 V is applied at VDD in this design.



## Application Diagram

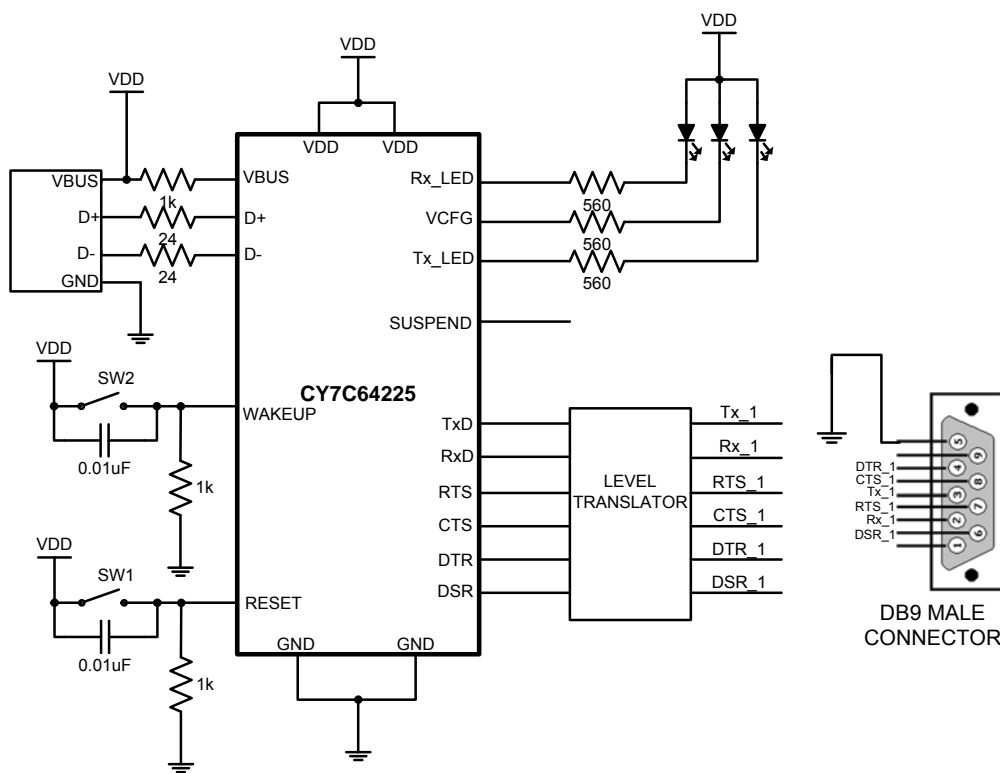
### USB to RS-232 Converter

In this example the procedure of using the CY7C64225 as a USB to RS-232 converter is illustrated. In this application, a TTL to RS232 Level Converter IC is used on the serial UART interface of the CY7C64225 to convert the TTL levels of the CY7C64225 to RS-232 levels. RS-232 follows bipolar signaling i.e. the output signal toggles between negative and positive polarity. In RS-232, logic 1 is called Mark and is a -3 V input and logic 0 is called Space and is a +3 V input. The output voltage level of RS-232 is +/-5 V to +/-15 V. So there is not only an inversion in polarity but

also voltage level translation between the CY7C64225 UART interface and RS-232 signaling. So, RS-232 line driver/receiver is used for providing the necessary polarity inversion and level translation.

The connection between CY7C64225 and the RS-232 line driver/receiver is simple. The input lines (DSR, CTS and RX) of the UART interface should be connected to the logic outputs of the RS-232 line driver/receiver chip. The output lines (DTR, RTS and TX) of the UART interface should be connected to the logic inputs of the RS-232 line driver/receiver chip. The inverted, level-translated UART output will be sent through the line driver pins of the RS-232.

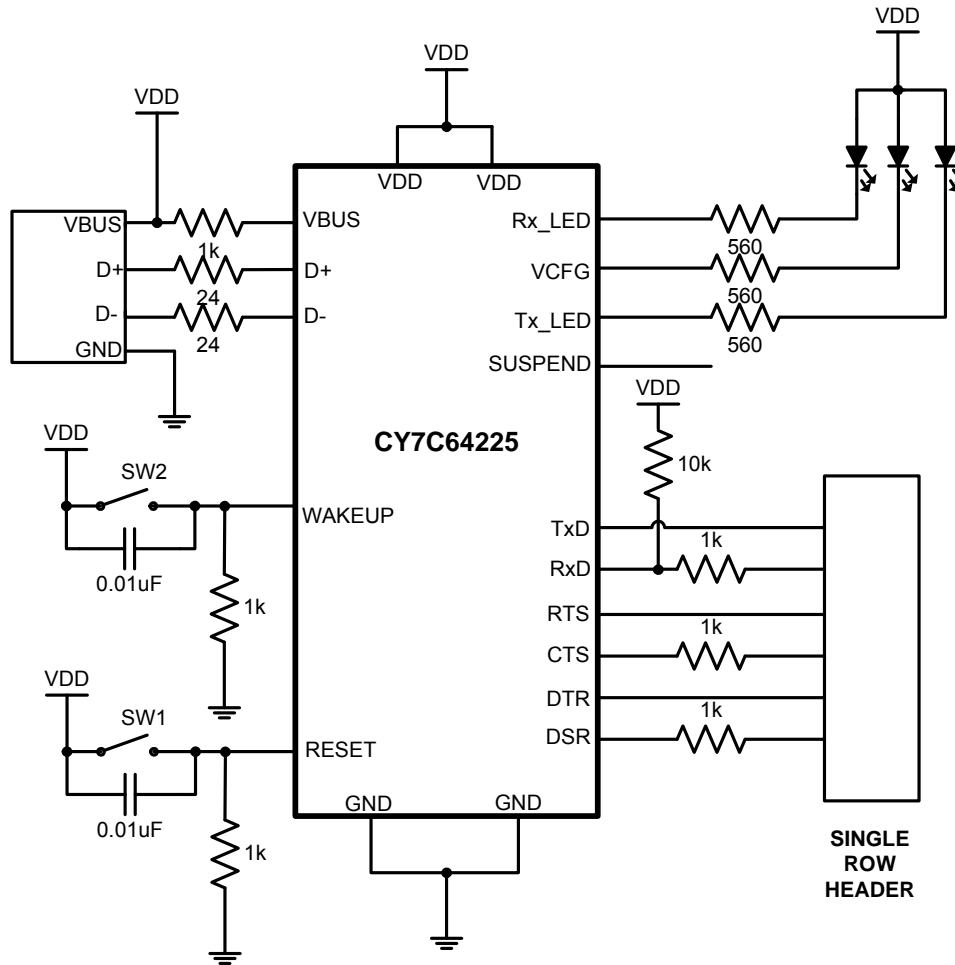
Figure 6. USB to RS-232 Converter Configuration



**USB to UART cable with TTL level UART signals**

This example illustrates a USB to UART cable design with TTL Level UART Signals using CY7C64225. This design is based on bus powered configuration.

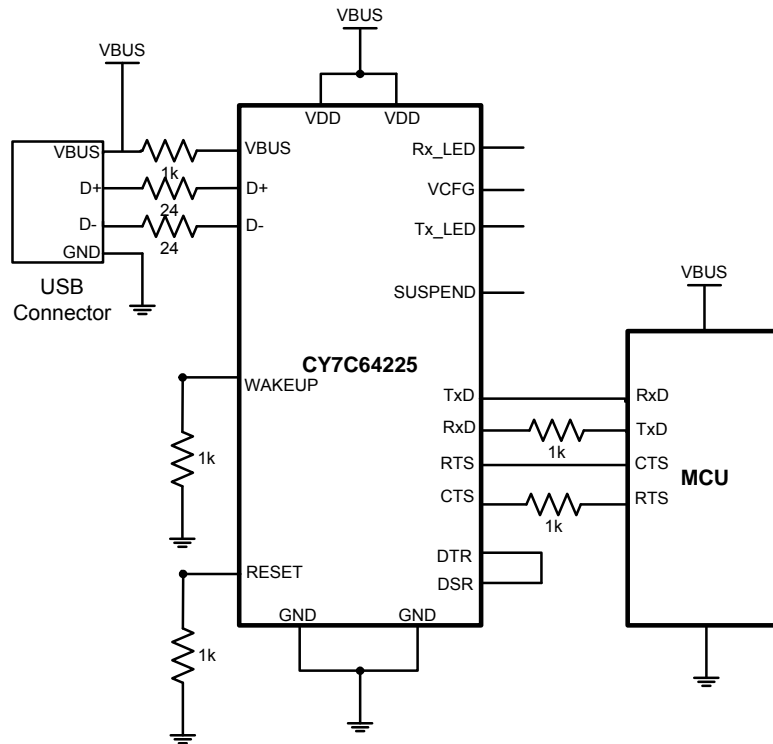
**Figure 7. USB to UART cable with TTL level UART signals**



### Interfacing CY7C64225 with Bus Powered Microcontroller

In this scenario both CY7C64225 and the microcontroller (MCU) are powered from VBUS. When the microcontroller and CY7C64225 controller are powered from different sources, 1K resistors are required on RXD and CTS lines of CY7C64225.

Figure 8. Interfacing CY7C64225 with Bus Powered Microcontroller

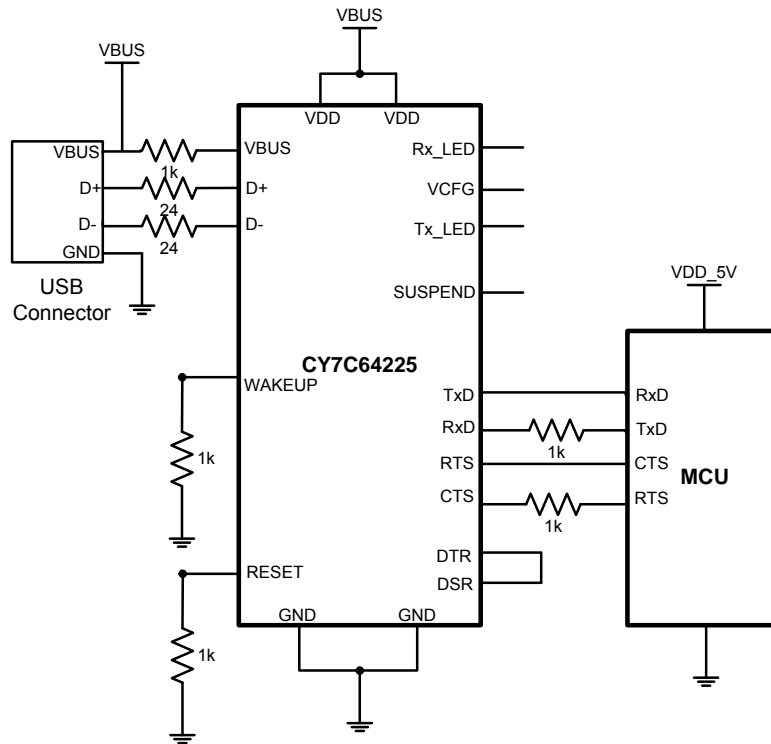


**Interfacing CY7C64225 with Self Powered Microcontroller**

In this scenario CY7C64225 is powered from VBUS and the microcontroller is powered from an external supply.

If both CY7C64225 and the microcontroller (MCU) are operating at 3.3 V, connect a divider circuit to provide 3.3 V to VBUS pin of CY7C64225 from VBUS pin of USB port.

**Figure 9. Interfacing CY7C64225 with Self Powered Microcontroller**



## Absolute Maximum Ratings

Table 3. Absolute Maximum Ratings

Parameter	Description	Min	Typ	Max	Unit	Notes
T <sub>STG</sub>	Storage temperature	-55	-	+100	°C	Higher storage temperatures reduces data retention time.
T <sub>BAKETEMP</sub>	Bake temperature	-	125	See package label	°C	-
T <sub>BAKETIME</sub>	Bake time	See package label	-	72	Hours	-
T <sub>A</sub>	Ambient temperature with power applied	0	-	+70	°C	-
V <sub>DD</sub>	Supply voltage on V <sub>DD</sub> relative to V <sub>SS</sub>	-0.5	-	+6.0	V	-
V <sub>IO</sub>	DC input voltage	V <sub>SS</sub> - 0.5	-	V <sub>DD</sub> + 0.5	V	-
I <sub>MIO</sub>	Maximum current into any port pin	-25	-	+50	mA	-
ESD	Electrostatic discharge voltage	-	-	2000	V	Human body model ESD.
Flash <sub>ENPB</sub>	Flash endurance (per block)	50,000 <sup>[1]</sup>	-	-	-	Erase/write cycles per block.
Flash <sub>ENT</sub>	Flash endurance (total) <sup>[2]</sup>	1,800,000	-	-	-	Erase/write cycles.
Flash <sub>DR</sub>	Flash data retention	10	-	-	Years	-

## Operating Temperature

Table 4. Operating Temperature

Parameter	Description	Min	Typ	Max	Unit	Notes
T <sub>AC</sub>	Commercial ambient temperature	0	-	+70	°C	-
T <sub>J</sub>	Junction temperature	-40	-	+100	°C	The temperature rise from ambient to junction is package specific. See <a href="#">Thermal Impedance on page 16</a> . The user must limit the power consumption to comply with this requirement.

**Notes**

- The 50,000 cycle Flash endurance per block will only be guaranteed if the Flash is operating within one voltage range. Voltage ranges are 3.0 V to 3.6 V and 4.75 V to 5.25 V.
- A maximum of 36 x 50,000 block endurance cycles is allowed. This may be balanced between operations on 36x1 blocks of 50,000 maximum cycles each, 36x2 blocks of 25,000 maximum cycles each, or 36x4 blocks of 12,500 maximum cycles each (to limit the total number of cycles to 36x50,000 and that no single block ever sees more than 50,000 cycles).

## DC Electrical Characteristics

### DC GPIO Specifications

The following table lists guaranteed maximum and minimum specifications for the voltage and temperature ranges: 4.75 V to 5.25 V and  $0\text{ }^{\circ}\text{C} \leq T_A \leq 70\text{ }^{\circ}\text{C}$ , or 3.15 V to 3.5 V and  $0\text{ }^{\circ}\text{C} \leq T_A \leq 70\text{ }^{\circ}\text{C}$ , respectively. Typical parameters apply to 5 V and 3.3 V at 25 °C and are for design guidance only.

**Table 5. DC GPIO Specifications**

Parameter	Description	Min	Typ	Max	Unit	Notes
V <sub>OH</sub>	High output level	V <sub>DD</sub> - 1.0	–	–	V	I <sub>OH</sub> = 10 mA, V <sub>DD</sub> = 4.75 to 5.25 V
V <sub>OL</sub>	Low output level	–	–	0.75	V	I <sub>OL</sub> = 25 mA, V <sub>DD</sub> = 4.75 to 5.25 V
I <sub>OH</sub>	High-level source current	10	–	–	mA	–
I <sub>OL</sub>	Low-level sink current	25	–	–	mA	–
V <sub>IL</sub>	Input low level	–	–	0.8	V	V <sub>DD</sub> = 3.15 to 5.25 V
V <sub>IH</sub>	Input high level	2.1	–	–	V	V <sub>DD</sub> = 3.15 to 5.25 V

### DC Full-Speed USB Specifications

The following table lists guaranteed maximum and minimum specifications for the voltage and temperature ranges when the IMO is selected as system clock: 4.75 V to 5.25 V and  $0\text{ }^{\circ}\text{C} \leq T_A \leq 70\text{ }^{\circ}\text{C}$ , or 3.15 V to 3.5 V and  $0\text{ }^{\circ}\text{C} \leq T_A \leq 70\text{ }^{\circ}\text{C}$ , respectively. Typical parameters apply to 5 V and 3.3 V at 25 °C and are for design guidance only.

**Table 6. DC Full Speed (12 Mbps) USB Specifications**

Parameter	Description	Min	Typ	Max	Unit	Notes
<b>USB Interface</b>						
V <sub>DI</sub>	Differential input sensitivity	0.2	–	–	V	(D+) – (D–)
V <sub>CM</sub>	Differential input common mode range	0.8	–	2.5	V	–
V <sub>SE</sub>	Single-ended receiver threshold	0.8	–	2.0	V	–
C <sub>IN</sub>	Transceiver capacitance	–	–	20	pF	–
I <sub>IO</sub>	High Z state data line leakage	–10	–	10	μA	0 V < V <sub>IN</sub> < 3.3 V.
R <sub>EXT</sub>	External USB series resistor	23	–	25	Ω	In series with each USB pin.
V <sub>UOH</sub>	Static output high, driven	2.8	–	3.6	V	15 kΩ ± 5% to ground. Internal pull-up enabled.
V <sub>UOHI</sub>	Static output high, idle	2.7	–	3.6	V	15 kΩ ± 5% to ground. Internal pull-up enabled.
V <sub>UOL</sub>	Static output low	–	–	0.3	V	15 kΩ ± 5% to ground. Internal pull-up enabled.
Z <sub>O</sub>	USB driver output impedance	28	–	44	Ω	Including R <sub>EXT</sub> resistor.
V <sub>CRS</sub>	D+/D– crossover voltage	1.3	–	2.0	V	–

### DC Chip Level Specifications

The following table lists guaranteed maximum and minimum specifications for the voltage and temperature ranges when the IMO is selected as system clock: 4.75 V to 5.25 V and  $0\text{ }^{\circ}\text{C} \leq T_A \leq 70\text{ }^{\circ}\text{C}$ , or 3.15 V to 3.5 V and  $0\text{ }^{\circ}\text{C} \leq T_A \leq 70\text{ }^{\circ}\text{C}$ , respectively. Typical parameters apply to 5 V and 3.3 V at 25 °C and are for design guidance only.

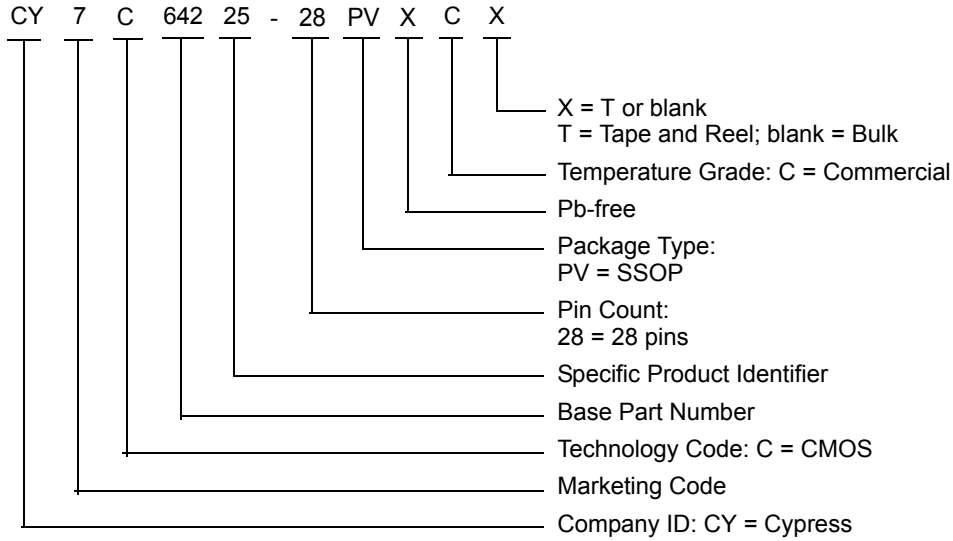
**Table 7. DC Chip-Level Specifications**

Parameter	Description	Min	Typ	Max	Unit	Notes
V <sub>DD</sub>	Supply voltage	3.0	–	5.25	V	USB hardware is not functional when V <sub>DD</sub> is between 3.5 V to 4.35 V
I <sub>DD5</sub>	Supply current	–	14	27	mA	Conditions are V <sub>DD</sub> = 5.0 V, T <sub>A</sub> = 25 °C
I <sub>DD3</sub>	Supply current	–	8	14	mA	Conditions are V <sub>DD</sub> = 3.3 V, T <sub>A</sub> = 25 °C
I <sub>SB</sub>	Sleep (mode) current	–	3	6.5	μA	V <sub>DD</sub> = 3.3 V, 0 °C ≤ T <sub>A</sub> ≤ 55 °C
I <sub>SBH</sub>	Sleep (mode) current at high temperature.	–	4	25	μA	V <sub>DD</sub> = 3.3 V, 55 °C < T <sub>A</sub> ≤ 70 °C
I <sub>susp1</sub>	USB suspend current	–	225	285	μA	For 5 V operating voltage range
I <sub>susp2</sub>	USB suspend current	–	208	260	μA	For 3.3 V operating voltage range

**Ordering Information**

Package	Ordering Code	Temperature Range
28-pin SSOP	CY7C64225-28PVXC	0 °C to 70 °C
28-pin SSOP (Tape and Reel)	CY7C64225-28PVXCT	0 °C to 70 °C

**Ordering Code Definitions**

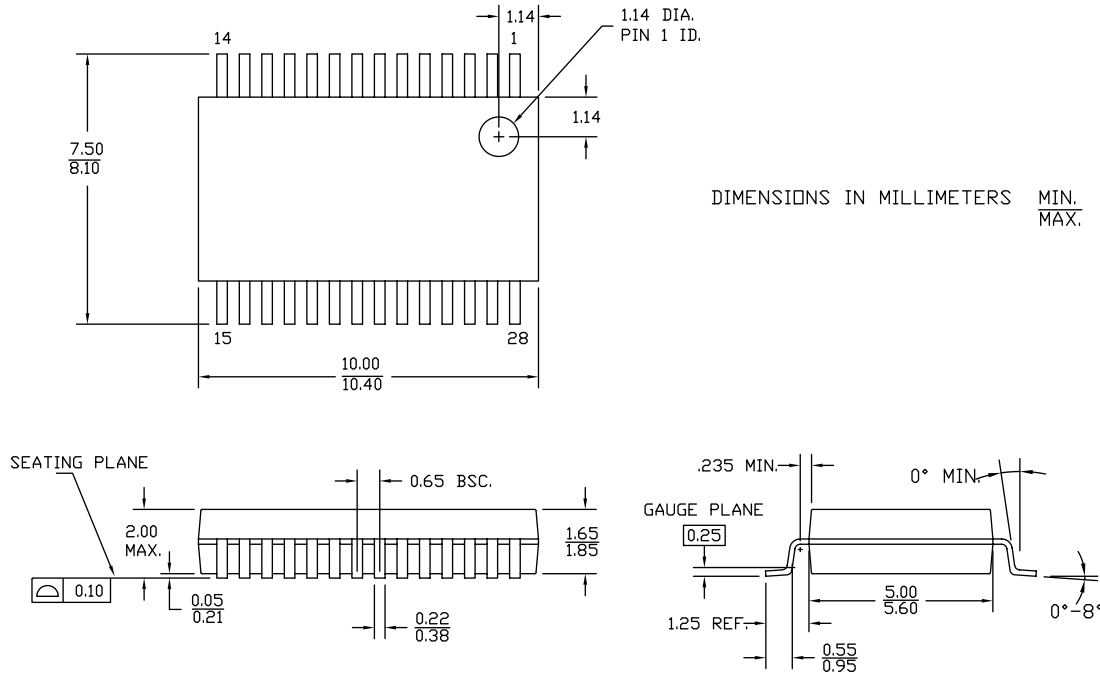


## Packaging Information

This section illustrates the package specification for the CY7C64225, along with the thermal impedance for the package.

### Package Diagrams

Figure 10. 28-pin SSOP (210 Mils) O28.21 Package Outline, 51-85079



51-85079 \*E

### Thermal Impedance

Table 8. Thermal Impedance for the Package

Package	Typical $\theta_{JA}$
28-pin SSOP	96 °C/W

Note Assumes 2-layer PCB

### Solder Reflow Peak Temperature

Following is the minimum solder reflow peak temperature to achieve good solderability.

Table 9. Solder Reflow Peak Temperature

Package	Maximum Peak Temperature	Time at Maximum Peak Temperature
28-pin SSOP	260 °C	20 s



## Acronyms

The following table lists the acronyms used in this document.

Acronym	Description
DC	direct current
GPIO	general purpose input/output
I/O	input/output
LED	light emitting diode
PC	personal computer
SSOP	shrink small outline package
UART	universal asynchronous receiver / transmitter
USB	universal serial bus

## Reference Documents

USB 2.0 Specification

## Document Conventions

### Units of Measure

Symbol	Unit of Measure
°C	degree Celsius
kΩ	kilohm
μA	microampere
mA	milliampere
Ω	ohm
%	percent
s	second
V	volt
W	watt

## Glossary

Asynchronous	A signal whose data is acknowledged or acted upon immediately, irrespective of any clock signal.
Buffer	<ol style="list-style-type: none"> <li>1. A storage area for data that is used to compensate for a speed difference, when transferring data from one device to another. Usually refers to an area reserved for I/O operations, into which data is read, or from which data is written.</li> <li>2. A portion of memory set aside to store data, often before it is sent to an external device or as it is received from an external device.</li> <li>3. An amplifier used to lower the output impedance of a system.</li> </ol>
Flash	Flash is a type of non-volatile memory used to store small amounts of data that must be saved when power is removed.
Reset	An active high signal that is driven into the device. It causes all operations of the CPU to stop and return to a pre-defined state.
V <sub>DD</sub>	A name for a power net meaning “voltage drain” The most positive power supply signal. Usually 5 V or 3.3 V.
V <sub>SS</sub>	A name for a power net meaning “voltage source” The most negative power supply signal.
Virtual COM Port	A USB virtual COM port is a software interface that enables applications to access a USB device as if it were a built-in serial port. Many USB virtual COM-port devices function as bridges that convert between USB and RS-232 or other asynchronous serial interfaces.
UART	A UART or universal asynchronous receiver-transmitter translates between parallel bits of data and serial bits.

Document History Page

Document Title: CY7C64225, USB-to-UART Bridge Controller Document Number: 001-76294				
Rev.	ECN No.	Submission Date	Orig. of Change	Description of Change
**	3533464	02/23/2012	HBM	New data sheet.
*A	3571321	05/15/2012	AASI	Added Application Circuit Diagrams. Minor content edits to add clarity. Updated <a href="#">DC Chip Level Specifications</a> and <a href="#">Table 6</a> .
*B	3931390	03/13/2013	DTNK / NIKL	Updated <a href="#">Features</a> .  Updated <a href="#">Figure 1</a> (CY7C64225 Block Diagram).  Updated <a href="#">Functional Overview</a> (Updated <a href="#">Introduction</a> ).  Renamed "Operational Details" as <a href="#">Functional Description</a> and updated the same section, also added sub-sections namely <a href="#">USB Interface</a> , <a href="#">UART Controller</a> , <a href="#">Regulator</a> , <a href="#">Oscillator</a> , <a href="#">Flash</a> .  Updated <a href="#">Configurations</a> (Updated <a href="#">Table 1</a> ).  Renamed "Driver" as <a href="#">Software and Driver Support</a> and updated the same section.  Updated <a href="#">Application Circuits</a> (Updated <a href="#">Bus Powered Design</a> (Updated <a href="#">Figure 3</a> ), updated <a href="#">Bus Powered Design using External Regulator</a> (Updated <a href="#">Figure 4</a> ), updated <a href="#">Self Powered Design</a> (Updated description and <a href="#">Figure 5</a> )).  Updated <a href="#">Application Diagram</a> (Updated <a href="#">Figure 6</a> and added sub-sections namely <a href="#">USB to UART cable with TTL level UART signals</a> , <a href="#">Interfacing CY7C64225 with Bus Powered Microcontroller</a> , <a href="#">Interfacing CY7C64225 with Self Powered Microcontroller</a> ).  Updated <a href="#">Absolute Maximum Ratings</a> (Updated <a href="#">Table 3</a> ).  Replaced EEPROM with Flash in all instances across the document.

## Sales, Solutions, and Legal Information

### Worldwide Sales and Design Support

Cypress maintains a worldwide network of offices, solution centers, manufacturer's representatives, and distributors. To find the office closest to you, visit us at [Cypress Locations](#).

### Products

<a href="#">Automotive</a>	<a href="http://cypress.com/go/automotive">cypress.com/go/automotive</a>
<a href="#">Clocks &amp; Buffers</a>	<a href="http://cypress.com/go/clocks">cypress.com/go/clocks</a>
<a href="#">Interface</a>	<a href="http://cypress.com/go/interface">cypress.com/go/interface</a>
<a href="#">Lighting &amp; Power Control</a>	<a href="http://cypress.com/go/powerpsoc">cypress.com/go/powerpsoc</a> <a href="http://cypress.com/go/plc">cypress.com/go/plc</a>
<a href="#">Memory</a>	<a href="http://cypress.com/go/memory">cypress.com/go/memory</a>
<a href="#">Optical &amp; Image Sensing</a>	<a href="http://cypress.com/go/image">cypress.com/go/image</a>
<a href="#">PSoC</a>	<a href="http://cypress.com/go/psoc">cypress.com/go/psoc</a>
<a href="#">Touch Sensing</a>	<a href="http://cypress.com/go/touch">cypress.com/go/touch</a>
<a href="#">USB Controllers</a>	<a href="http://cypress.com/go/USB">cypress.com/go/USB</a>
<a href="#">Wireless/RF</a>	<a href="http://cypress.com/go/wireless">cypress.com/go/wireless</a>

### PSoC Solutions

[psoc.cypress.com/solutions](http://psoc.cypress.com/solutions)  
PSoC 1 | PSoC 3 | PSoC 5

---

© Cypress Semiconductor Corporation, 2012-2013. The information contained herein is subject to change without notice. Cypress Semiconductor Corporation assumes no responsibility for the use of any circuitry other than circuitry embodied in a Cypress product. Nor does it convey or imply any license under patent or other rights. Cypress products are not warranted nor intended to be used for medical, life support, life saving, critical control or safety applications, unless pursuant to an express written agreement with Cypress. Furthermore, Cypress does not authorize its products for use as critical components in life-support systems where a malfunction or failure may reasonably be expected to result in significant injury to the user. The inclusion of Cypress products in life-support systems application implies that the manufacturer assumes all risk of such use and in doing so indemnifies Cypress against all charges.

Any Source Code (software and/or firmware) is owned by Cypress Semiconductor Corporation (Cypress) and is protected by and subject to worldwide patent protection (United States and foreign), United States copyright laws and international treaty provisions. Cypress hereby grants to licensee a personal, non-exclusive, non-transferable license to copy, use, modify, create derivative works of, and compile the Cypress Source Code and derivative works for the sole purpose of creating custom software and or firmware in support of licensee product to be used only in conjunction with a Cypress integrated circuit as specified in the applicable agreement. Any reproduction, modification, translation, compilation, or representation of this Source Code except as specified above is prohibited without the express written permission of Cypress.

Disclaimer: CYPRESS MAKES NO WARRANTY OF ANY KIND, EXPRESS OR IMPLIED, WITH REGARD TO THIS MATERIAL, INCLUDING, BUT NOT LIMITED TO, THE IMPLIED WARRANTIES OF MERCHANTABILITY AND FITNESS FOR A PARTICULAR PURPOSE. Cypress reserves the right to make changes without further notice to the materials described herein. Cypress does not assume any liability arising out of the application or use of any product or circuit described herein. Cypress does not authorize its products for use as critical components in life-support systems where a malfunction or failure may reasonably be expected to result in significant injury to the user. The inclusion of Cypress' product in a life-support systems application implies that the manufacturer assumes all risk of such use and in doing so indemnifies Cypress against all charges.

Use may be limited by and subject to the applicable Cypress software license agreement.



Компания «ЭлектроПласт» предлагает заключение долгосрочных отношений при поставках импортных электронных компонентов на взаимовыгодных условиях!

Наши преимущества:

- Оперативные поставки широкого спектра электронных компонентов отечественного и импортного производства напрямую от производителей и с крупнейших мировых складов;
- Поставка более 17-ти миллионов наименований электронных компонентов;
- Поставка сложных, дефицитных, либо снятых с производства позиций;
- Оперативные сроки поставки под заказ (от 5 рабочих дней);
- Экспресс доставка в любую точку России;
- Техническая поддержка проекта, помощь в подборе аналогов, поставка прототипов;
- Система менеджмента качества сертифицирована по Международному стандарту ISO 9001;
- Лицензия ФСБ на осуществление работ с использованием сведений, составляющих государственную тайну;
- Поставка специализированных компонентов (Xilinx, Altera, Analog Devices, Intersil, Interpoint, Microsemi, Aeroflex, Peregrine, Syfer, Eurofarad, Texas Instrument, Miteq, Cobham, E2V, MA-COM, Hittite, Mini-Circuits, General Dynamics и др.);

Помимо этого, одним из направлений компании «ЭлектроПласт» является направление «Источники питания». Мы предлагаем Вам помощь Конструкторского отдела:

- Подбор оптимального решения, техническое обоснование при выборе компонента;
- Подбор аналогов;
- Консультации по применению компонента;
- Поставка образцов и прототипов;
- Техническая поддержка проекта;
- Защита от снятия компонента с производства.



#### Как с нами связаться

**Телефон:** 8 (812) 309 58 32 (многоканальный)

**Факс:** 8 (812) 320-02-42

**Электронная почта:** [org@eplast1.ru](mailto:org@eplast1.ru)

**Адрес:** 198099, г. Санкт-Петербург, ул. Калинина, дом 2, корпус 4, литера А.