

Typical unit

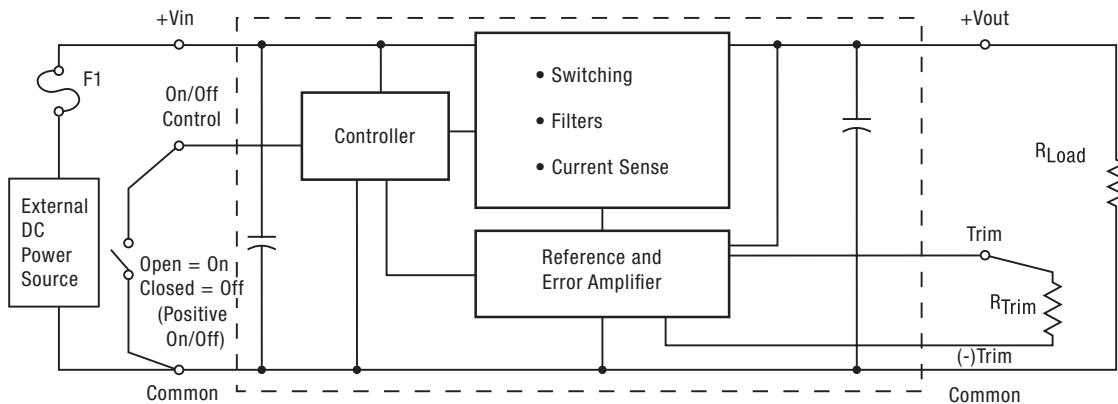
FEATURES

- Wide input range: 6.5V to 13.8V
- Wide trim range: 0.6V to 2.5V
- High power density design means reduced board space requirement
- Power good output signal (open collector)
- Operating ambient temperature up to +70°C with suitable derating and forced air cooling
- Remote ON/OFF (active high)
- Input undervoltage lockout
- RoHS-6 hazardous substance compliance

PRODUCT OVERVIEW

The OKR-T/50-W12-C series are miniature SIP non-isolated Point-of-Load (PoL) DC-DC power converters measuring only 1.45 x 0.64 x 1.1 inches (36.8 x 16.2 x 27.9 mm). The wide input range is 6.5 to 13.8 Volts DC. Based on 450 KHz synchronous buck topology, the high power conversion efficient Point of Load (PoL) module features programmable output voltage and On/Off control, under voltage lock out (UVLO), overcurrent and over temperature protections. This unit is designed to meet all standard UL/EN/IEC 60950-1 safety certifications (pending) and RoHS-6 hazardous substance compliance.

Figure 1. Connection Diagram



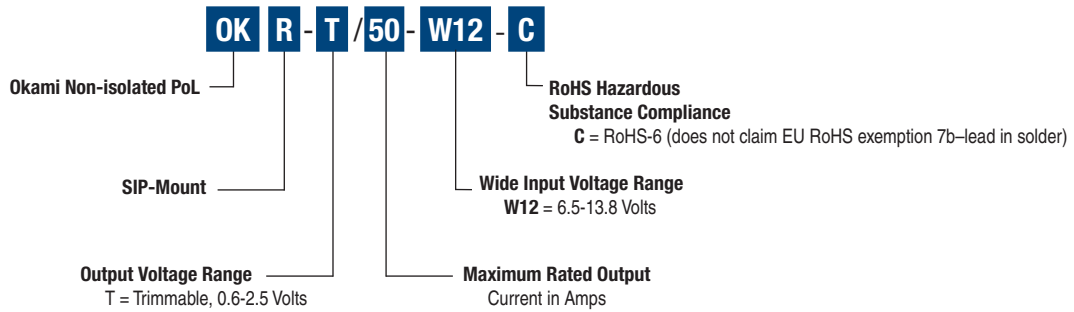
PERFORMANCE SPECIFICATIONS SUMMARY AND ORDERING GUIDE												
Root Model	Output						Input				Efficiency ③	Dimensions ①
	V _{OUT} (Volts)	I _{OUT} (Amps max)	Power (Watts)	R/N (mVp-p) ②	Regulation (Max.)		V _{IN} Nom. (Volts)	Range (Volts)	I _{IN} , no load (mA)	I _{IN} , full load (Amps) ③	Typ.	
				Max.	Line	Load						
OKR-T/50-W12-C	0.6-2.5	50	125	25	±0.25%	±0.25%	12	6.5-13.8	150	8.5	88.5%	1.45 x 0.64 x 1.1 (36.8 x 16.2 x 27.9)

① Dimensions (L x W x H) are in inches (mm).

② Ripple and Noise is shown at V_{OUT} = 1.8V. See specs for details.

③ All specifications are at nominal line voltage, V_{OUT} = 1.8V and full load, +25°C. unless otherwise noted. Output capacitors are 10µF and two ceramic in parallel. Input cap is 22 µF. See detailed specifications. I/O caps are necessary for our test equipment and may not be needed for your application.

PART NUMBER STRUCTURE



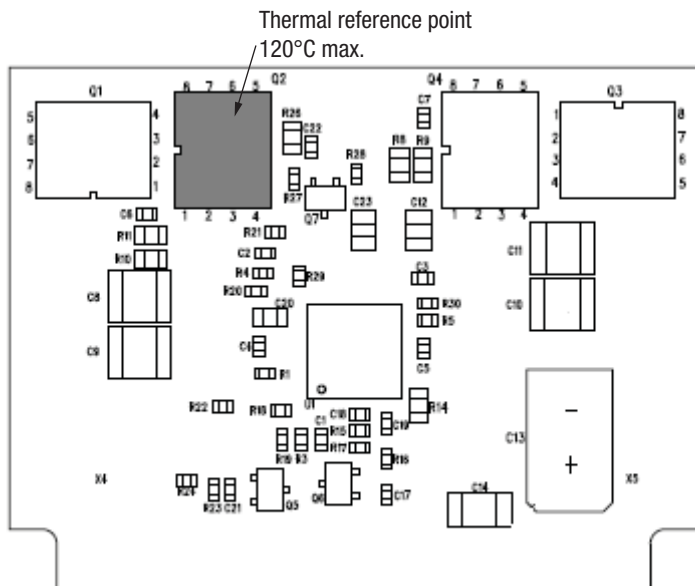
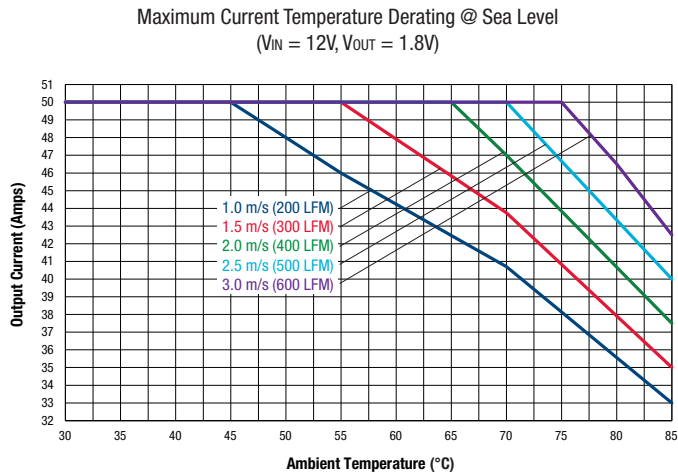
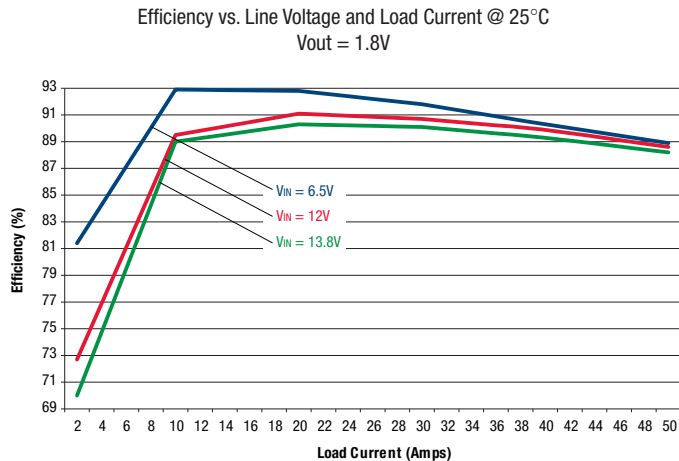
FUNCTIONAL SPECIFICATIONS

ABSOLUTE MAXIMUM RATINGS	Conditions	Minimum	Typical/Nominal	Maximum	Units
Input Voltage, Continuous	Full power operation	6.5	12	15	Vdc
Output Power				127	W
Output Current	Current-limited, no damage, short-circuit protected	0		50	A
On/Off Control				Vin	Vdc
Power Good Pin				7	Vdc
Storage Temperature Range	Vin = Zero (no power)	-40		125	°C
Absolute maximums are stress ratings. Exposure of devices to greater than any of these conditions may adversely affect long-term reliability. Proper operation under conditions other than those listed in the Performance/Functional Specifications Table is not implied or recommended.					
INPUT					
Operating voltage range		6.5	12	13.8	Vdc
Recommended External Fuse	Fast blow		40		A
Turn On/Start-up threshold	Rising input voltage	5.8	6.1	6.4	Vdc
Undervoltage Shutdown		4.8	5.3	5.8	
Internal Filter Type	C-Type				
Input current					
Full Load Conditions	Vin = nominal (1.8Vset)		8.5		A
Low Line	Vin @ min, 1.8Vset		15.6		A
Inrush Transient			2		A ² -Sec.
Short Circuit Input Current			300		mA
No Load Input Current	1.8V		150		mA
Shut-Down Mode Input Current			20		mA
Reflected (back) ripple current	Measured at input with specified filter Cin = 100µF, Cbus = 1000µF, Lbus = 1µH		12		mA, pk-pk
GENERAL and SAFETY					
Efficiency	12Vin, 1.8Vout, 50A	87	88.5		%
Safety	Certified to UL-60950-1, CSA-C22.2 No.60950-1, IEC/60950-1, 2nd edition (pending)		Yes		
Calculated MTBF	Per Telcordia SR332, issue 1 class 3, ground fixed, Tambient = +25°C		7,476,403		Hours
Calculated MTBF	Per Mil-HDBK-217N2 Method		11,076,048		Hours
DYNAMIC CHARACTERISTICS					
Fixed Switching Frequency			450		KHz
Startup Time			6	9	mS
Dynamic Load Response	1.8Vout (50% Load Step within 2% of Vset @ 1A/µS; Cext = 10µF POSCAP)		25	50	µSec
Dynamic Load Peak Deviation			150	200	mV
Capacitive Loading			Peak Deviation	Settling Time	
330µF Ceramic			180mV	30 µsec	
830µF Cermaic, 1410µF Poscap			120mV	45 µsec	
FEATURES and OPTIONS					
Remote On/Off Control					
Positive Logic, ON state	Pin pulled high	1.2		5	V
Control Current, ON state		0.04		1.3	mA
Positive Logic, OFF state	Pin open or pulled low	0		0.7	V
Control Current, OFF state	open collector/drain	0		6	µA
Remote Sense					mV
Power Good Option					
PGOOD, Open Drain Configuration, Sinking:					
Vout window for PGOOD: Upper limit		+8.3	+12.5	+16.2	%
Vout window for PGOOD: Lower limit		-15	-12.5	-9.2	%

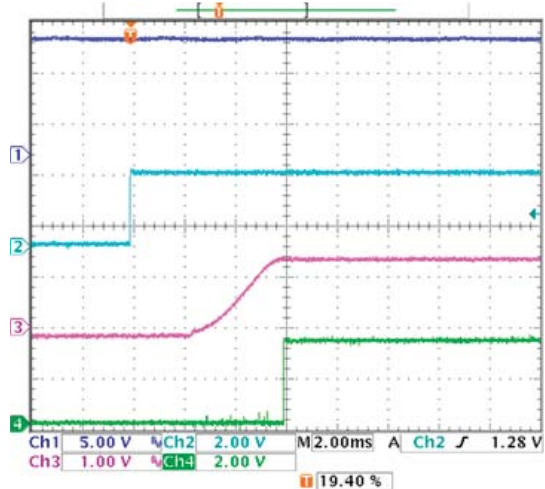
FUNCTIONAL SPECIFICATIONS (CONT.)

OUTPUT	Conditions	Minimum	Typical/Nominal	Maximum	Units
Total Output Power		0		125	W
Voltage					
Nominal Output Voltage Range	See trim formula	0.6		2.5	Vdc
Setting Accuracy	At 50% load			±1	% of Vnom.
Output Voltage Overshoot-Startup				0.5	% Vo set
Current					
Output Current Range	Continuous	0		50	A
Current Limit Inception	98% of Vnom., after warmup	55	70	85	A
Short Circuit					
Short Circuit Current	Hiccup technique, autorecovery within ±1% of Vout		10		A
Short Circuit Duration (remove short for recovery)	Output shorted to ground, no damage				
Regulation					
Total Regulation Band		-3		3	% Vo set
Line Regulation	Vin = min to max, output @ nominal load			±0.25	%
Load Regulation	Min load to max load			±0.25	%
Ripple and Noise	1.8Vo, 12Vin		15	25	mV pk-pk
Temperature Coefficient			0.02		% of Vnom./°C
Maximum Capacitive Loading	1.8Vo			15000	µF
MECHANICAL					
Outline Dimensions	L x W x H		1.45 x 0.64 x 1.1 36.8 x 16.2 x 27.9		Inches mm
Weight			0.70 20		Ounces Grams
ENVIRONMENTAL					
Operating Ambient Temperature Range	full power, all output voltages, see derating curves	0		70	°C
Storage Temperature	Vin = Zero (no power)	-40		125	°C
RoHS rating			RoHS-6		

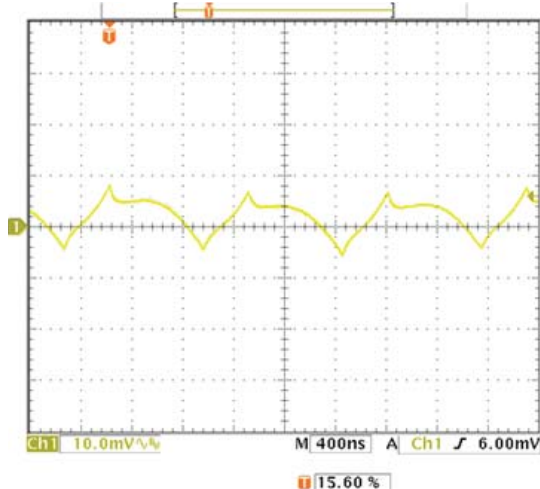
OKR-T/50-W12-C PERFORMANCE DATA



Start-up from ENABLE: 1 Vin, 1.5 Vout, 0 A Iout 2100 μF (external Cout: [10 x 22μF]+[4 x 47μF]). Trace 1 = Vin, Trace 2 = ENABLE, Trace 3 = Vout, Trace 4 =Power Good

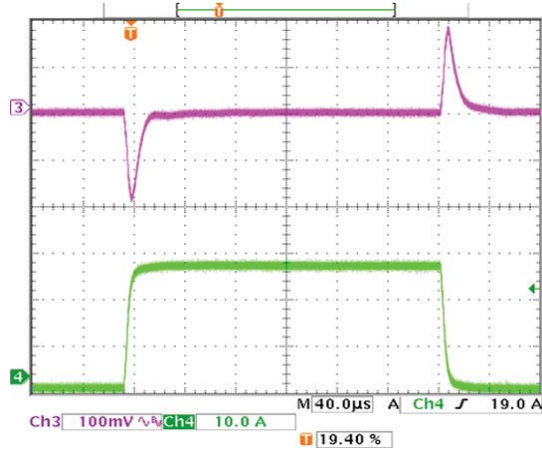


Output Ripple and Noise (Vin = 12V, Vout = 1.8V, Iout = 50A, Cout = 10μ, Ta = +25°C)

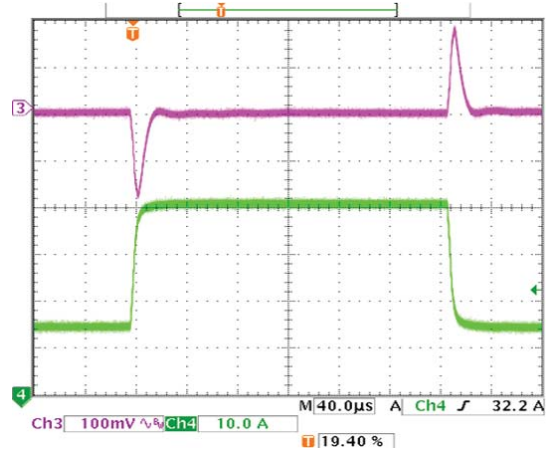


OSCILLOGRAMS – Vout = 1.8V

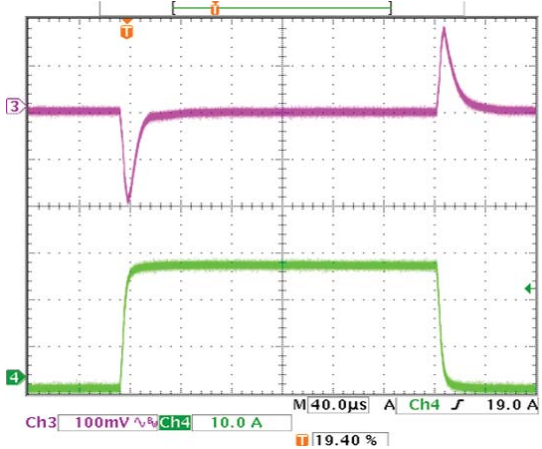
Step Load Transient Response (Vin = 6.5V, Vout = 1.8V, Cload = 10µF POSCAP, Iout = 0A to 25A [5A/µSec]) Top trace = Vout, Bottom trace = Iout



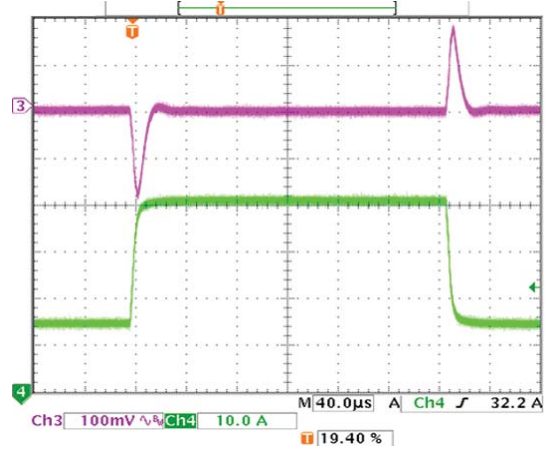
Step Load Transient Response (Vin = 6.5V, Vout = 1.8V, Cload = 10µF POSCAP, Iout = 25A to 50A [5A/µSec]) Top trace = Vout, Bottom trace = Iout



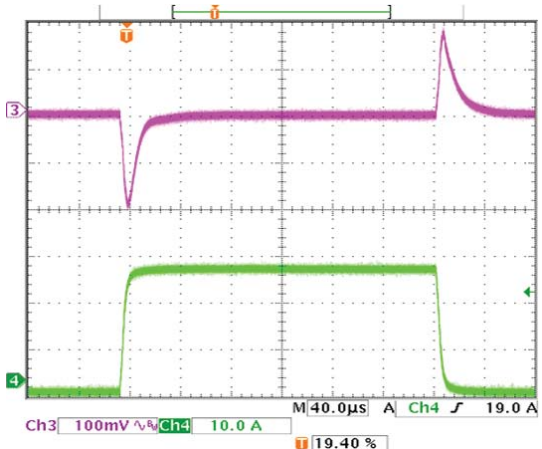
Step Load Transient Response (Vin = 12V, Vout = 1.8V, Cload = 10µF POSCAP, Iout = 0A to 25A [5A/µSec]) Top trace = Vout, Bottom trace = Iout



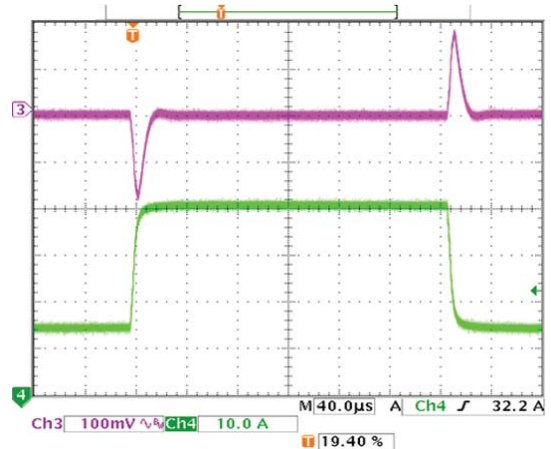
Step Load Transient Response (Vin = 12V, Vout = 1.8V, Cload = 10µF POSCAP, Iout = 25A to 50A [5A/µSec]) Top trace = Vout, Bottom trace = Iout



Step Load Transient Response (Vin = 13.8V, Vout = 1.8V, Cload = 10µF POSCAP, Iout = 0A to 25A [5A/µSec]) Top trace = Vout, Bottom trace = Iout

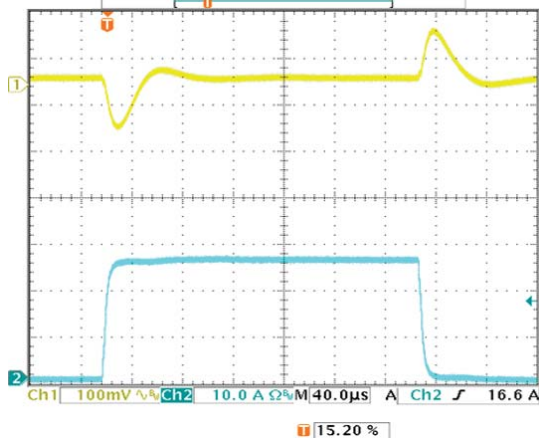


Step Load Transient Response (Vin = 13.8V, Vout = 1.8V, Cload = 10µF POSCAP, Iout = 25A to 50A [5A/µSec]) Top trace = Vout, Bottom trace = Iout

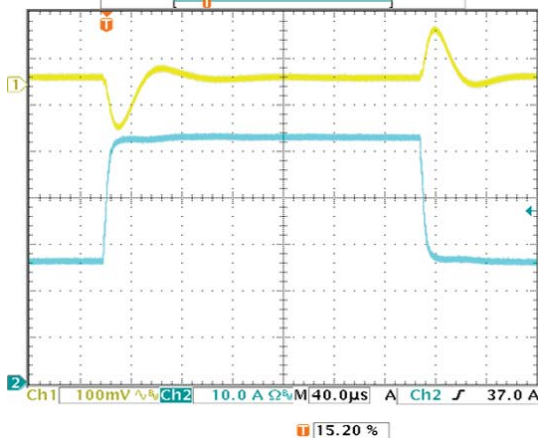


OSCILLOGRAMS – Vout = 1.5V

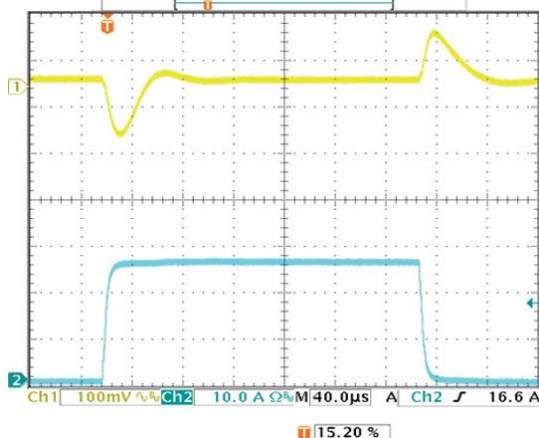
Step Load Transient Response (Vin = 6.5V, Vout = 1.5V, Cload = 2240µF
15 x 22µF = 330µF ceramic; 5 x 100µF = 500µF ceramic; 3 x 470µF = 1410µF POSCAP,
Iout = 0A to 25A [5A/µSec]) Top trace = Vout, Bottom trace = Iout



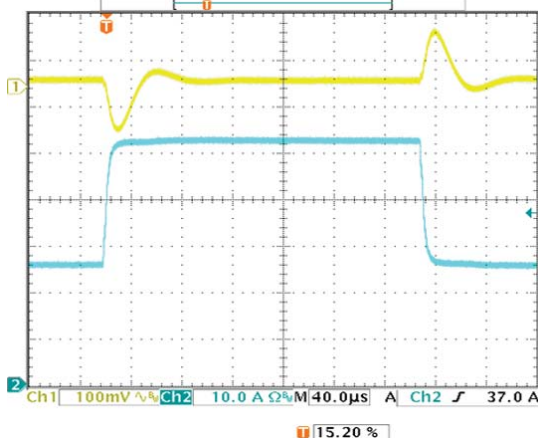
Step Load Transient Response (Vin = 6.5V, Vout = 1.5V, Cload = 2240µF
15 x 22µF = 330µF ceramic; 5 x 100µF = 500µF ceramic; 3 x 470µF = 1410µF POSCAP,
Iout = 25A to 50A [5A/µSec]) Top trace = Vout, Bottom trace = Iout



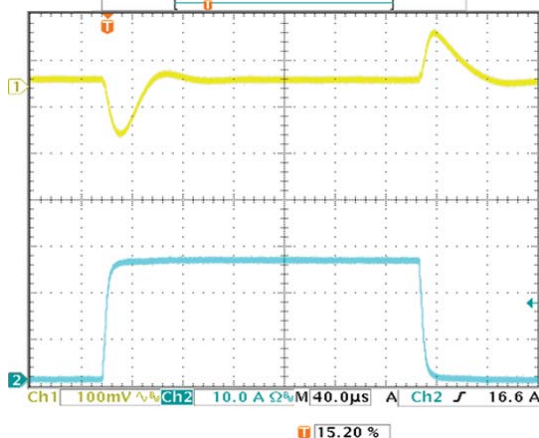
Step Load Transient Response (Vin = 12V, Vout = 1.5V, Cload = 2240µF,
15 x 22µF = 330µF ceramic; 5 x 100µF = 500µF ceramic; 3 x 470µF = 1410µF POSCAP,
Iout = 0A to 25A [5A/µSec]) Top trace = Vout, Bottom trace = Iout



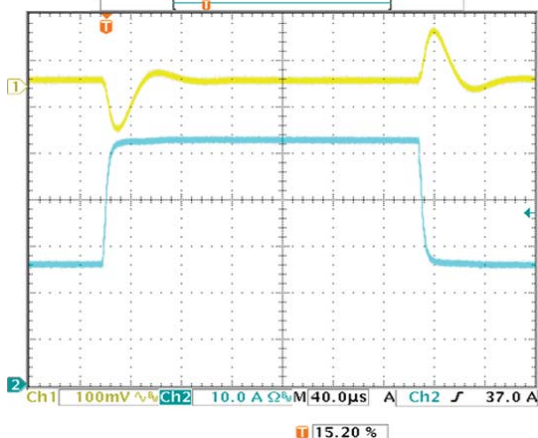
Step Load Transient Response (Vin = 12V, Vout = 1.5V, Cload = 2240µF,
15 x 22µF = 330µF ceramic; 5 x 100µF = 500µF ceramic; 3 x 470µF = 1410µF POSCAP,
Iout = 25A to 50A [5A/µSec]) Top trace = Vout, Bottom trace = Iout



Step Load Transient Response (Vin = 13.8V, Vout = 1.5V, Cload = 2240µF,
15 x 22µF = 330µF ceramic; 5 x 100µF = 500µF ceramic; 3 x 470µF = 1410µF POSCAP,
Iout = 0A to 25A [5A/µSec]) Top trace = Vout, Bottom trace = Iout

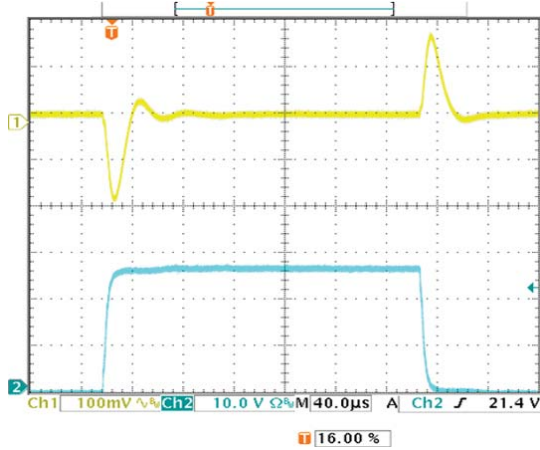


Step Load Transient Response (Vin = 13.8V, Vout = 1.5V, Cload = 2240µF,
15 x 22µF = 330µF ceramic; 5 x 100µF = 500µF ceramic; 3 x 470µF = 1410µF POSCAP,
Iout = 25A to 50A [5A/µSec]) Top trace = Vout, Bottom trace = Iout

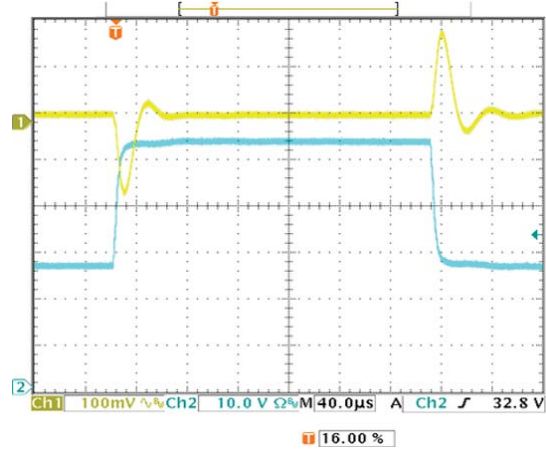


OSCILLOGRAMS – Vout = 1.2V

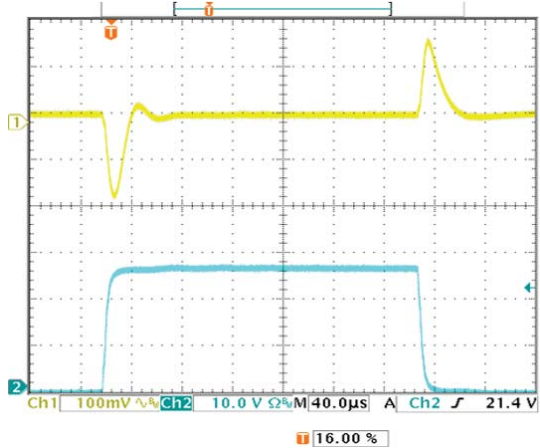
Step Load Transient Response (Vin = 6.5V, Vout = 1.2V, Cload = 15 x 22µF/6.3V 1206 ceramic caps for a total of 330µF, Iout = 0A to 25A [5A/µSec])
Top trace = Vout, Bottom trace = Iout



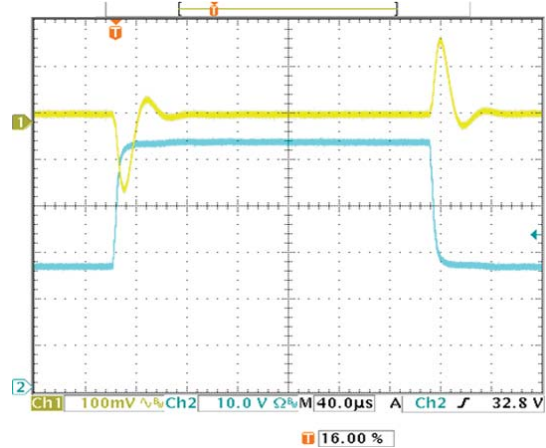
Step Load Transient Response (Vin = 6.5V, Vout = 1.2V, Cload = 15 x 22µF/6.3V 1206 ceramic caps for a total of 330µF, Iout = 25A to 50A [5A/µSec])
Top trace = Vout, Bottom trace = Iout



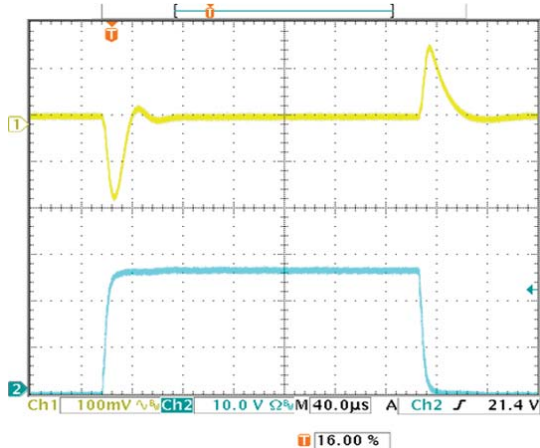
Step Load Transient Response (Vin = 12V, Vout = 1.2V, Cload = 15 x 22µF/6.3V 1206 ceramic caps for a total of 330µF, Iout = 0A to 25A [5A/µSec])
Top trace = Vout, Bottom trace = Iout



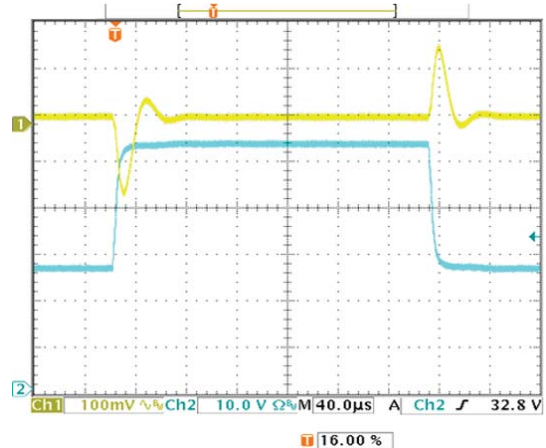
Step Load Transient Response (Vin = 12V, Vout = 1.2V, Cload = 15 x 22µF/6.3V 1206 ceramic caps for a total of 330µF, Iout = 25A to 50A [5A/µSec])
Top trace = Vout, Bottom trace = Iout



Step Load Transient Response (Vin = 13.8V, Vout = 1.2V, Cload = 15 x 22µF/6.3V 1206 ceramic caps for a total of 330µF, Iout = 0A to 25A [5A/µSec])
Top trace = Vout, Bottom trace = Iout

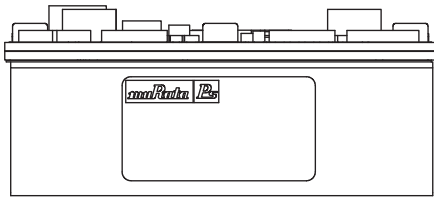


Step Load Transient Response (Vin = 13.8V, Vout = 1.2V, Cload = 15 x 22µF/6.3V 1206 ceramic caps for a total of 330µF, Iout = 25A to 50A [5A/µSec])
Top trace = Vout, Bottom trace = Iout

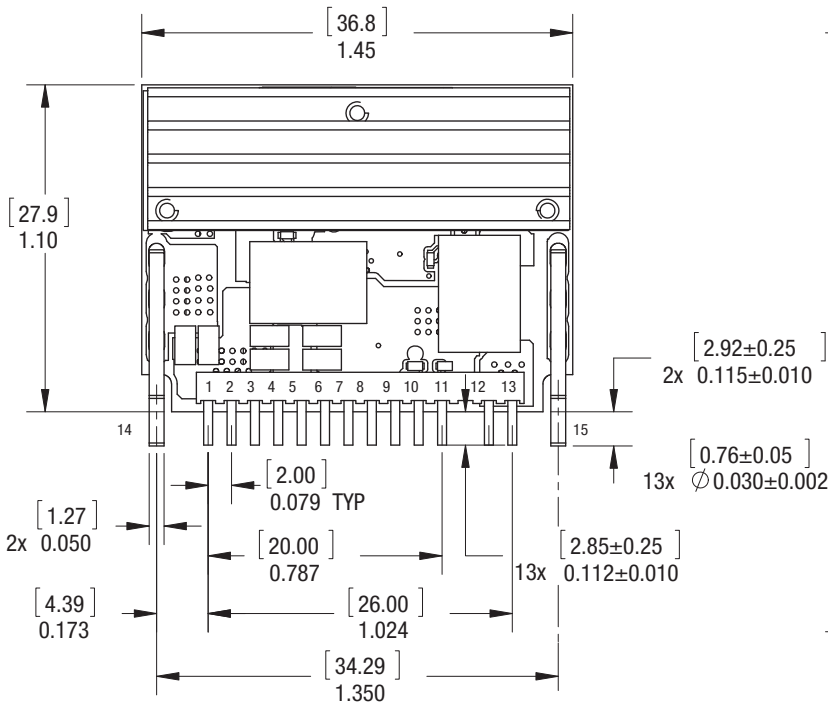


MECHANICAL SPECIFICATIONS

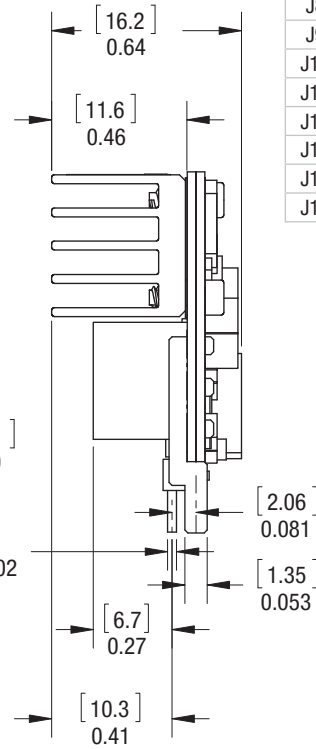
TOP VIEW



FRONT VIEW



END VIEW



INPUT/OUTPUT CONNECTIONS

Pin	Function
J1	Vout+1
J2	Vout+1
J3	Vout+1
J4	PGND
J5	PGND
J6	Enable
J7	(-) Trim
J8	Trim
J9	PGood
J10	-Sense
J11	+Sense
J12	Vin+
J13	Vin-
J14	Mechanical Support
J15	Mechanical Support

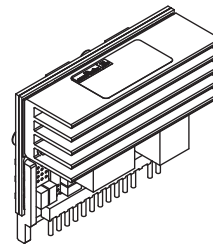
DIMENSIONS ARE IN INCHES [mm]

TOLERANCES:
2 PLACE ±0.02 ANGLES: ±1°
3 PLACE ±0.010

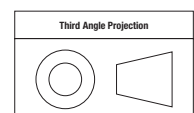
COMPONENTS SHOWN ARE FOR REFERENCE ONLY

MATERIAL:
Ø 0.030 HEADER PINS: COPPER ALLOY
SUPPORT PINS: TIN PLATED BRASS

FINISH: (ALL HEADER PINS)
200µ" MIN MATTE TIN OVER NICKEL (40µ" MIN)



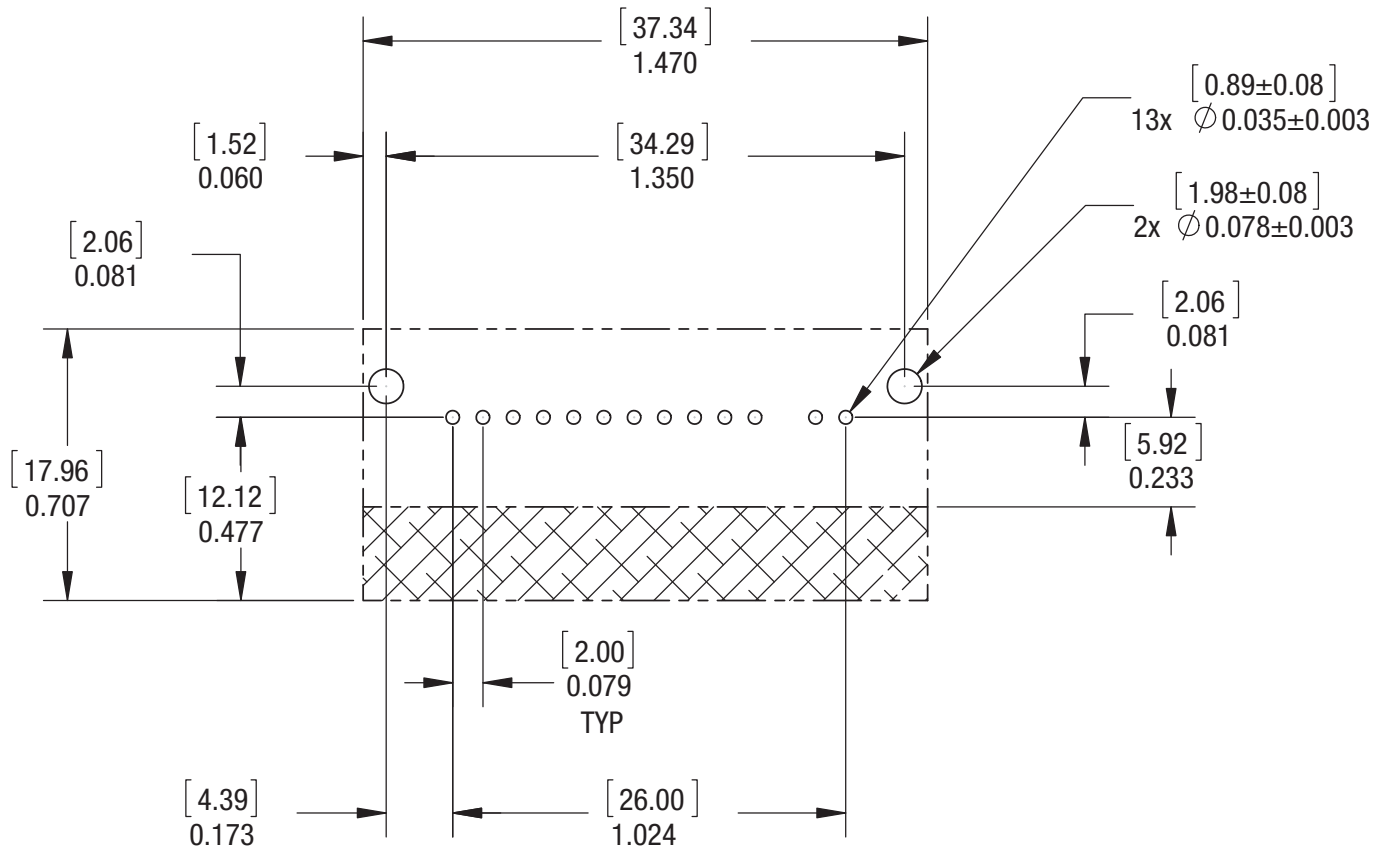
Dimensions are in inches (mm shown for ref. only).



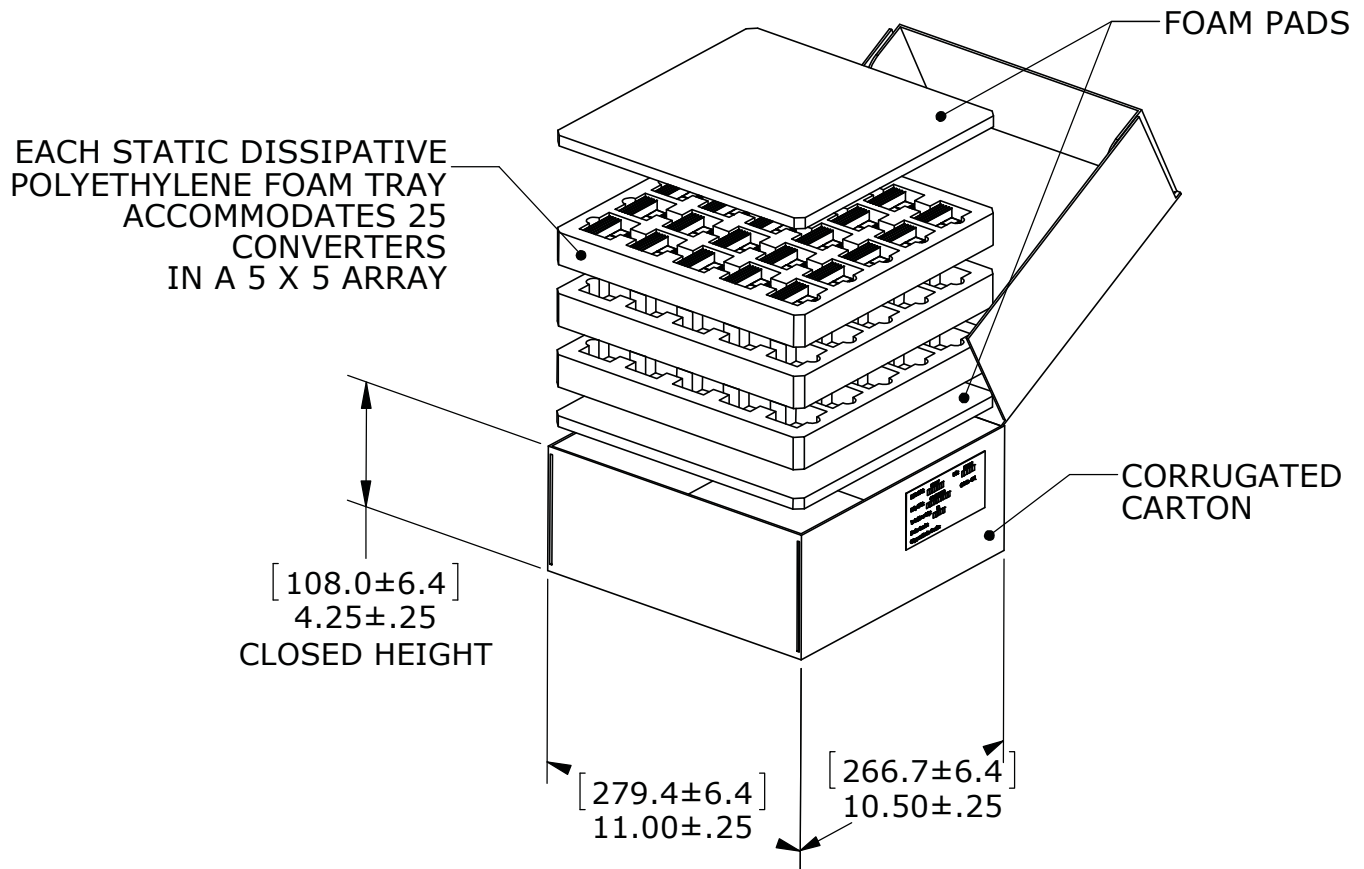
Tolerances (unless otherwise specified):
.XX ± 0.02 (0.5)
.XXX ± 0.010 (0.25)
Angles ± 2°

Components are shown for reference only.

MECHANICAL SPECIFICATIONS



STANDARD PACKAGING

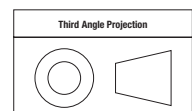


STANDARD PACKAGING

*25 UNITS PER TRAY
3 TRAYS PER CARTON*

MPQ= 75 UNITS

Dimensions are in inches (mm shown for ref. only).



Tolerances (unless otherwise specified):
.XX ± 0.02 (0.5)
.XXX ± 0.010 (0.25)
Angles ± 2°

Components are shown for reference only.

TECHNICAL NOTES

Input Fusing

Certain applications and/or safety agencies may require fuses at the inputs of power conversion components. Fuses should also be used when there is the possibility of sustained input voltage reversal which is not current-limited. For greatest safety, we recommend a fast blow fuse installed in the ungrounded input supply line.

The installer must observe all relevant safety standards and regulations. For safety agency approvals, install the converter in compliance with the end-user safety standard, i.e. IEC/EN/UL 60950-1.

Input Under-Voltage Shutdown and Start-Up Threshold

Under normal start-up conditions, converters will not begin to regulate properly until the ramping-up input voltage exceeds and remains at the Start-Up Threshold Voltage (see Specifications). Once operating, converters will not turn off until the input voltage drops below the Under-Voltage Shutdown Limit. Subsequent restart will not occur until the input voltage rises again above the Start-Up Threshold. This built-in hysteresis prevents any unstable on/off operation at a single input voltage.

Users should be aware however of input sources near the Under-Voltage Shutdown whose voltage decays as input current is consumed (such as capacitor inputs), the converter shuts off and then restarts as the external capacitor recharges. Such situations could oscillate. To prevent this, make sure the operating input voltage is well above the UV Shutdown voltage AT ALL TIMES.

Start-Up Time

Assuming that the output current is set at the rated maximum, the Vin to Vout Start-Up Time (see Specifications) is the time interval between the point when the ramping input voltage crosses the Start-Up Threshold and the fully loaded regulated output voltage enters and remains within its specified accuracy band. Actual measured times will vary with input source impedance, external input capacitance, input voltage slew rate and final value of the input voltage as it appears at the converter.

These converters include a soft start circuit to moderate the duty cycle of its PWM controller at power up, thereby limiting the input inrush current.

The On/Off Remote Control interval from On command to Vout regulated assumes that the converter already has its input voltage stabilized above the Start-Up Threshold before the On command. The interval is measured from the On command until the output enters and remains within its specified accuracy band. The specification assumes that the output is fully loaded at maximum rated current. Similar conditions apply to the On to Vout regulated specification such as external load capacitance and soft start circuitry.

Recommended Input Filtering

The user must assure that the input source has low AC impedance to provide dynamic stability and that the input supply has little or no inductive content, including long distributed wiring to a remote power supply. The converter will operate with no additional external capacitance if these conditions are met.

For best performance, we recommend installing a low-ESR capacitor immediately adjacent to the converter's input terminals. The capacitor should be a ceramic type such as the Murata GRM32 series or a polymer type. Initial suggested capacitor values are 10 to 22 μF , rated at twice the expected maximum input voltage. Make sure that the input terminals do not go below the undervoltage shutdown voltage at all times. More input bulk capacitance may be added in parallel (either electrolytic or tantalum) if needed.

Recommended Output Filtering

The converter will achieve its rated output ripple and noise with no additional external capacitor. However, the user may install more external output capacitance to reduce the ripple even further or for improved dynamic response. Again, use low-ESR ceramic (Murata GRM32 series) or polymer capacitors. Initial values of 10 to 47 μF may be tried, either single or multiple capacitors in parallel. Mount these close to the converter. Measure the output ripple under your load conditions.

Use only as much capacitance as required to achieve your ripple and noise objectives. Excessive capacitance can make step load recovery sluggish or possibly introduce instability. Do not exceed the maximum rated output capacitance listed in the specifications.

Input Ripple Current and Output Noise

All models in this converter series are tested and specified for input reflected ripple current and output noise using designated external input/output components, circuits and layout as shown in the figures below. In the figure below, the Cbus and Lbus components simulate a typical DC voltage bus. Please note that the values of Cin, Lbus and Cbus will vary according to the specific converter model.

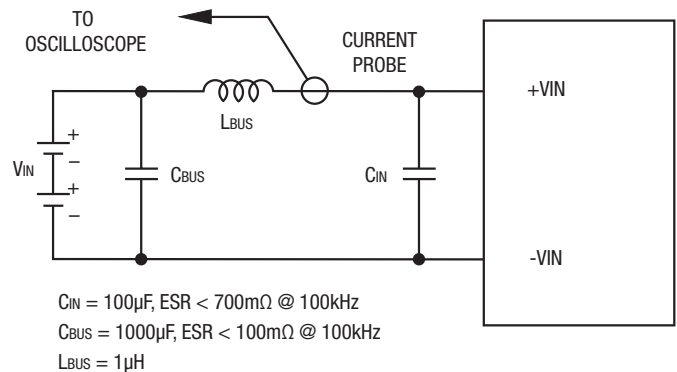


Figure 3. Measuring Input Ripple Current

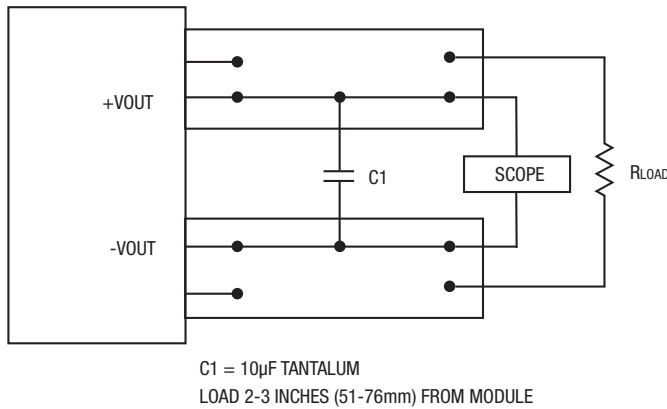


Figure 4. Measuring Output Ripple and Noise (PARD)

Minimum Output Loading Requirements

All models regulate within specification and are stable under no load to full load conditions. Operation under no load might however slightly increase output ripple and noise.

Thermal Shutdown

To prevent many over temperature problems and damage, these converters include thermal shutdown circuitry. If environmental conditions cause the temperature of the DC/DC's to rise above the Operating Temperature Range up to the shutdown temperature, an on-board electronic temperature sensor will power down the unit. When the temperature decreases below the turn-on threshold, the converter will automatically restart. There is a small amount of hysteresis to prevent rapid on/off cycling. The temperature sensor is typically located adjacent to the switching controller, approximately in the center of the unit. See the Performance and Functional Specifications.

CAUTION: If you operate too close to the thermal limits, the converter may shut down suddenly without warning. Be sure to thoroughly test your application to avoid unplanned thermal shutdown.

Temperature Derating Curves

The graphs in this data sheet illustrate typical operation under a variety of conditions. The Derating curves show the maximum continuous ambient air temperature and decreasing maximum output current which is acceptable under increasing forced airflow measured in Linear Feet per Minute (“LFM”). Note that these are AVERAGE measurements. The converter will accept brief increases in current or reduced airflow as long as the average is not exceeded.

Note that the temperatures are of the ambient airflow, not the converter itself which is obviously running at higher temperature than the outside air. Also note that very low flow rates (below about 25 LFM) are similar to “natural convection”, that is, not using fan-forced airflow.

Murata Power Solutions makes Characterization measurements in a closed cycle wind tunnel with calibrated airflow. We use both thermocouples and an infrared camera system to observe thermal performance.

CAUTION: If you routinely or accidentally exceed these Derating guidelines, the converter may have an unplanned Over Temperature shut down. Also, these graphs are all collected at slightly above Sea Level altitude. Be sure to reduce the derating for higher density altitude.

Output Current Limiting

Current limiting inception is defined as the point at which full power falls below the rated tolerance. See the Performance/Functional Specifications. Note particularly that the output current may briefly rise above its rated value in normal operation as long as the average output power is not exceeded. This enhances reliability and continued operation of your application. If the output current is too high, the converter will enter the short circuit condition.

Output Short Circuit Condition

When a converter is in current-limit mode, the output voltage will drop as the output current demand increases. If the output voltage drops too low (approximately 98% of nominal output voltage for most models), the magnetically coupled voltage used to develop primary side voltages will also drop, thereby shutting down the PWM controller. Following a time-out period, the PWM will restart, causing the output voltage to begin ramping up to its appropriate value. If the short-circuit condition persists, another shutdown cycle will initiate. This rapid on/off cycling is called “hiccup mode”. The hiccup cycling reduces the average output current, thereby preventing excessive internal temperatures and/or component damage. A short circuit can be tolerated indefinitely.

The “hiccup” system differs from older latching short circuit systems because you do not have to power down the converter to make it restart. The system will automatically restore operation as soon as the short circuit condition is removed.

External Enable On/Off Control (see figure 5)

The forced On/Off enable option uses positive logic for the external control. The converter may be powered ON by applying a positive voltage (logic HI) between the On/Off pin and the negative power input (-Vin). This positive voltage is referred to -Vin and must be in the range of at least +2.0V and not to exceed the power supply input voltage (+Vin). The current drain is 12 mA max. when turned on.

If the On/Off pin is left open, an internal 100 Kilohm pull-down resistor will turn the converter OFF. The OFF condition may also be commanded by grounding the pin or from an external logic LO voltage not to exceed +0.4 Volts. All voltages are referred to the -Vin negative power input.

If you wish to control the On/Off circuit by external logic rather than a switch, carefully compare your logic threshold voltages with that of the On/Off input.

The circuit below indicates the equivalent input. Please avoid false signals from ground bounce errors on the On/Off control.

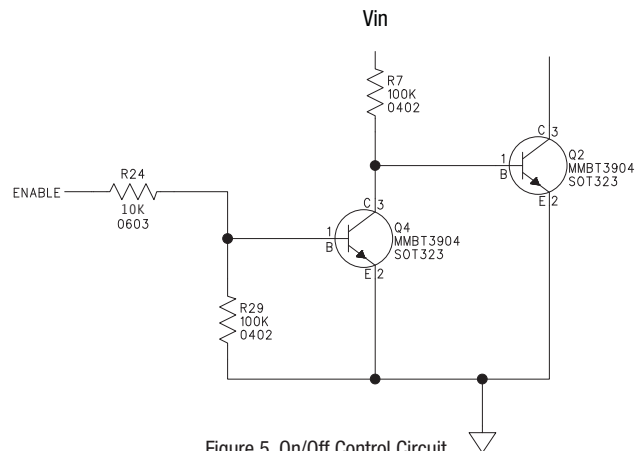


Figure 5. On/Off Control Circuit

Trim Connections

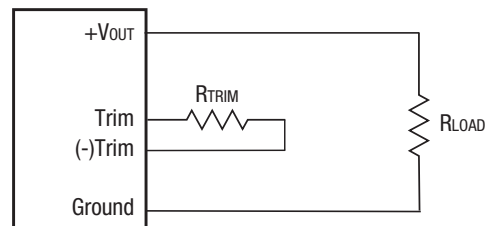
Output Voltage Adjustment

The output voltage may be adjusted over a limited range by connecting an external trim resistor (Rtrim) between the Trim pin and (-)Trim. The Rtrim resistor must be a 1/10 Watt precision metal film type, ±0.5% accuracy or better with low temperature coefficient, ±100 ppm/oC. or better. Mount the resistor close to the converter with very short leads or use a surface mount trim resistor.

In the tables below, the calculated resistance is given. Do not exceed the specified limits of the output voltage or the converter’s maximum power rating when applying these resistors. Also, avoid high noise at the Trim input. However, to prevent instability, you should never connect any capacitors to Trim.

OKR-T/50-W12-C

Output Voltage	Calculated Rtrim (Ω)
2.5 V	632
1.8 V	1000
1.2 V	2000
0.6 V	∞ (open)



Resistor Trim Equation, OKR-T/50-W12-C models:

$$R_{TRIM} (k\Omega) = \frac{1.2}{(V_{OUT} - 0.6)}$$

Soldering Guidelines

Murata Power Solutions recommends the specifications below when installing these converters. These specifications vary depending on the solder type. Exceeding these specifications may cause damage to the product. Your production environment may differ; therefore please thoroughly review these guidelines with your process engineers.

Wave Solder Operations for through-hole mounted products (THMT)			
For Sn/Ag/Cu based solders:		For Sn/Pb based solders:	
Maximum Preheat Temperature	115° C.	Maximum Preheat Temperature	105° C.
Maximum Pot Temperature	270° C.	Maximum Pot Temperature	250° C.
Maximum Solder Dwell Time	7 seconds	Maximum Solder Dwell Time	6 seconds

Murata Power Solutions, Inc.
11 Cabot Boulevard, Mansfield, MA 02048-1151 U.S.A.
ISO 9001 and 14001 REGISTERED



This product is subject to the following operating requirements and the Life and Safety Critical Application Sales Policy:
Refer to: <http://www.murata-ps.com/requirements/>

Murata Power Solutions, Inc. makes no representation that the use of its products in the circuits described herein, or the use of other technical information contained herein, will not infringe upon existing or future patent rights. The descriptions contained herein do not imply the granting of licenses to make, use, or sell equipment constructed in accordance therewith. Specifications are subject to change without notice. © 2015 Murata Power Solutions, Inc.



Компания «ЭлектроПласт» предлагает заключение долгосрочных отношений при поставках импортных электронных компонентов на взаимовыгодных условиях!

Наши преимущества:

- Оперативные поставки широкого спектра электронных компонентов отечественного и импортного производства напрямую от производителей и с крупнейших мировых складов;
- Поставка более 17-ти миллионов наименований электронных компонентов;
- Поставка сложных, дефицитных, либо снятых с производства позиций;
- Оперативные сроки поставки под заказ (от 5 рабочих дней);
- Экспресс доставка в любую точку России;
- Техническая поддержка проекта, помощь в подборе аналогов, поставка прототипов;
- Система менеджмента качества сертифицирована по Международному стандарту ISO 9001;
- Лицензия ФСБ на осуществление работ с использованием сведений, составляющих государственную тайну;
- Поставка специализированных компонентов (Xilinx, Altera, Analog Devices, Intersil, Interpoint, Microsemi, Aeroflex, Peregrine, Syfer, Eurofarad, Texas Instrument, Miteq, Cobham, E2V, MA-COM, Hittite, Mini-Circuits, General Dynamics и др.);

Помимо этого, одним из направлений компании «ЭлектроПласт» является направление «Источники питания». Мы предлагаем Вам помощь Конструкторского отдела:

- Подбор оптимального решения, техническое обоснование при выборе компонента;
- Подбор аналогов;
- Консультации по применению компонента;
- Поставка образцов и прототипов;
- Техническая поддержка проекта;
- Защита от снятия компонента с производства.



Как с нами связаться

Телефон: 8 (812) 309 58 32 (многоканальный)

Факс: 8 (812) 320-02-42

Электронная почта: org@eplast1.ru

Адрес: 198099, г. Санкт-Петербург, ул. Калинина, дом 2, корпус 4, литера А.