



FCIconnect.com

Copyright FCI.

### Configuration of Documents

| P/N              | Documents  | No.              | Title  | CAT.No.        |  |              |
|------------------|--|------------------|--|----------------|--|--------------|
| SFW_S-25T(M)E1   | Specification Connector dwg.                                   | SC-SFWS01        | CAT.NO.TABLE FOR 1mm SPACING SMT CONNECTOR                     | SFW_S-25T      |  |              |
|                  |  | JSA93342         | 1mm SPACING SURFACE MOUNT FPC/FFC CONNECTOR                    | SFW_S-25T      |  |              |
|                  |  | JSA93579         | 1mm SPACING SURFACE MOUNT FPC/FFC CONNECTOR                    | SFW_S-25TM     |  |              |
|                  |  | JSA93836         | CAT. NO. TABLE FOR PLASTIC TAPE PACKAGED 1mm SPACING SMT CONN. | SFW_S-25T_E1   |  |              |
|                  |  | JSA93343         | PLASTIC TAPE PACKAGED 1mm SPACING SMT CONNECTOR                | SFW_S-25T_E1   |  |              |
|                  |  | JSA93338         | RECOMMENDED CABLE  | SFW_S-25T      |  |              |
|                  |  | JSA93340         | RECOMMENDED CABLE  | SFW_S-25T      |  |              |
|                  |  | JSA93341         | RECOMMENDED CABLE  | SFW_S-25T      |  |              |
|                  |  | BJM-SFWS101      | RECOMMENDED CABLE  | SFW_S-25T      |  |              |
|                  |  | SFW_S-65T(M)E1   | Specification Connector dwg.                                   | SC-SFWS02      | CAT.NO.TABLE FOR 1mm SPACING SMT CONNECTOR   | SFW_S-65T    |
| JSA93900         | 1mm SPACING SURFACE MOUNT C/C CONNECTOR                        |                  |  | SFW_S-65T      |  |              |
| JSA93905         | 1mm SPACING SURFACE MOUNT C/C CONNECTOR                        |                  |  | SFW_S-65TM     |  |              |
| JSA93901         | CAT. NO. TABLE FOR PLASTIC TAPE PACKAGED 1mm SPACING SMT CONN. |                  |  | SFW_S-65T_E1   |  |              |
| JSA93902         | PLASTIC TAPE PACKAGED 1mm SPACING SMT CONNECTOR                |                  |  | SFW_S-65T_E1   |  |              |
| JSA93903         | RECOMMENDED CABLE  |                  |  | SFW_S-65T      |  |              |
| JSA93904         | RECOMMENDED CABLE  |                  |  | SFW_S-65T      |  |              |
| BJM-SFWS102      | RECOMMENDED CABLE  |                  |  | SFW_S-65T      |  |              |
| SFW_S-25T(M)E1LF | Specification Connector dwg.                                   |                  |  | SC-SFWS03      | CAT.NO.TABLE FOR 1mm SPACING SMT CONNECTOR   | SFW_S-25T_LF |
|                  |  |                  |  | JSA96516       | 1mm SPACING SURFACE MOUNT FPC/FFC CONNECTOR  | SFW_S-25T_LF |
|                  |  | JSA96517         | 1mm SPACING SURFACE MOUNT FPC/FFC CONNECTOR                    | SFW_S-25TM_LF  |  |              |
|                  |  | JSA96518         | CAT. NO. TABLE FOR PLASTIC TAPE PACKAGED 1mm SPACING SMT CONN. | SFW_S-25T_E1LF |  |              |
|                  |  | JSA96519         | PLASTIC TAPE PACKAGED 1mm SPACING SMT CONNECTOR                | SFW_S-25T_E1LF |  |              |
|                  |  | JSA96520         | RECOMMENDED CABLE  | SFW_S-25T_LF   |  |              |
|                  |  | JSA93340         | RECOMMENDED CABLE  | SFW_S-25T_LF   |  |              |
|                  |  | JSA93341         | RECOMMENDED CABLE  | SFW_S-25T_LF   |  |              |
|                  |  | BJM-SFWS101      | RECOMMENDED CABLE  | SFW_S-25T_LF   |  |              |
|                  |  | SFW_S-65T(M)E1LF | Specification Connector dwg.                                   | SC-SFWS04      | CAT. NO. TABLE FOR 1mm SPACING SMT CONNECTOR | SFW_S-65T_LF |
| JSA96521         | 1mm SPACING SURFACE MOUNT C/C CONNECTOR                        |                  |  | SFW_S-65T_LF   |  |              |
| JSA96522         | 1mm SPACING SURFACE MOUNT C/C CONNECTOR                        |                  |  | SFW_S-65TM_LF  |  |              |
| JSA96523         | CAT. NO. TABLE FOR PLASTIC TAPE PACKAGED 1mm SPACING SMT CONN. |                  |  | SFW_S-65T_E1LF |  |              |
| JSA96524         | PLASTIC TAPE PACKAGED 1mm SPACING SMT CONNECTOR                |                  |  | SFW_S-65T_E1LF |  |              |
| JSA96525         | RECOMMENDED CABLE  |                  |  | SFW_S-65T_LF   |  |              |
| JSA93904         | RECOMMENDED CABLE  |                  |  | SFW_S-65T_LF   |  |              |
| BJM-SFWS102      | RECOMMENDED CABLE  |                  |  | SFW_S-65T_LF   |  |              |

|             |          |  |           |                                       |        |                     |  |   |  |
|-------------|----------|--|-----------|---------------------------------------|--------|---------------------|--|---|--|
| mat'l. code |          | surface 58 / tolerance ISO 1302 / ISO 406 / ISO 1101 |           | projection                            |        | product family 58SF |  | CODE JP   |  |
| ltr         | ecn no   | dr   | date      | tolerances unless otherwise specified |        | title               |  | SFW_S Documents Configuration (1mm Spacing connector) |  |
| A           | J05-0334 | H.T  | 6/3/'05   | angles                                | linear | mm                  |  | scale   |  |
| B           | J05-0377 | H.T  | 6/22/'05  |                                       |        | mm                  |  | sheet 1 of 1  |  |
| C           | J06-0430 | H.T  | 10/19/'06 |                                       |        | scale               |  | size A4   |  |
| sheet index |          | revision sheet                                       | C 1       | dr                                    |        | engr                |  | JSA96060  |  |
|             |          |  |           | chr                                   |        | appd                |  | type Product Customer Drawing                         |  |
|             |          |  |           | 10/19/06                              |        | 10/19/06            |  | Rev. C  |  |
|             |          |  |           | 10/19/06                              |        | 10/19/06            |  |   |  |
|             |          |  |           | 10/20/06                              |        | 10/20/06            |  |   |  |

CAT. NO. & DIMENSIONS

| NOTE3 | NO. OF CONTACTS (n) | CAT. NO.       | DIMENSIONS (NOTE2) |        |        |
|-------|---------------------|----------------|--------------------|--------|--------|
|       |                     |                | A ±0.2             | B ±0.2 | C ±0.2 |
|       | 4                   | SFW4S-2ST____  | 10.4               | 5.24   | 3      |
|       | 5                   | SFW5S-2ST____  | 11.4               | 6.24   | 4      |
|       | 6                   | SFW6S-2ST____  | 12.4               | 7.24   | 5      |
| *     | 7                   | SFW7S-2ST____  | 13.4               | 8.24   | 6      |
|       | 8                   | SFW8S-2ST____  | 14.4               | 9.24   | 7      |
| *     | 9                   | SFW9S-2ST____  | 15.4               | 10.24  | 8      |
|       | 10                  | SFW10S-2ST____ | 16.4               | 11.24  | 9      |
|       | 11                  | SFW11S-2ST____ | 17.4               | 12.24  | 10     |
| *     | 12                  | SFW12S-2ST____ | 18.4               | 13.24  | 11     |
|       | 13                  | SFW13S-2ST____ | 19.4               | 14.24  | 12     |
|       | 14                  | SFW14S-2ST____ | 20.4               | 15.24  | 13     |
|       | 15                  | SFW15S-2ST____ | 21.4               | 16.24  | 14     |
|       | 16                  | SFW16S-2ST____ | 22.4               | 17.24  | 15     |
|       | 17                  | SFW17S-2ST____ | 23.4               | 18.24  | 16     |
| *     | 18                  | SFW18S-2ST____ | 24.4               | 19.24  | 17     |
| *     | 19                  | SFW19S-2ST____ | 25.4               | 20.24  | 18     |
|       | 20                  | SFW20S-2ST____ | 26.4               | 21.24  | 19     |
| *     | 21                  | SFW21S-2ST____ | 27.4               | 22.24  | 20     |
|       | 22                  | SFW22S-2ST____ | 28.4               | 23.24  | 21     |
|       | 23                  | SFW23S-2ST____ | 29.4               | 24.24  | 22     |
|       | 24                  | SFW24S-2ST____ | 30.4               | 25.24  | 23     |
| *     | 25                  | SFW25S-2ST____ | 31.4               | 26.24  | 24     |
|       | 26                  | SFW26S-2ST____ | 32.4               | 27.24  | 25     |
| *     | 27                  | SFW27S-2ST____ | 33.4               | 28.24  | 26     |
|       | 28                  | SFW28S-2ST____ | 34.4               | 29.24  | 27     |
|       | 29                  | SFW29S-2ST____ | 35.4               | 30.24  | 28     |
|       | 30                  | SFW30S-2ST____ | 36.4               | 31.24  | 29     |
| *     | 31                  | SFW31S-2ST____ | 37.4               | 32.24  | 30     |
| *     | 32                  | SFW32S-2ST____ | 38.4               | 33.24  | 31     |



NOTES

1. THIS PRODUCT IS THE CONNECTOR, DESIGNED TO TERMINATE FPC/FFC AND COPE WITH AUTOMATIC MOUNTING (SMT).
2. SEE PART DRAWINGS FOR DIMENSIONS A.B.C.
3. PLEASE CONSULT US IN CASE OF USING PARTS WITH \* MARK

|                    |          |     |            |  |  |            |  |  |  |         |  |
|--------------------|----------|-----|------------|--|--|------------|--|--|--|---------|--|
| mat'l. code        |          |     |            | surface 58 / tolerance ISO 1302 / ISO 406 / ISO 1101 |  | projection |  | product family 58SF  |  | CODE JP |  |
| ltr ecn no dr date |          |     |            | tolerances unless otherwise specified                |  | mm         |  | title CAT. NO. TABLE FOR 1mm SPACING SMT CONNECTOR (CAT.No.SFW__S-2ST__) |  |         |  |
| AA                 | J04-0333 | H.T | 2004-10-13 | angles linear  |  | scale X    |  | dwg no sheet 1 of 1 size   |  |         |  |
| AB                 | J05-0547 | H.T | 2005-8-30  |  |  | FCJ        |  | JSA 93342 A4   |  |         |  |
| AC                 | J06-0430 | H.T | 2006-10-19 |  |  |            |  | type Product Customer Drawing  |  |         |  |
| AD                 | J07-0407 | H.T | 2007-8-9   | dr engr chr appd                                     |  |            |  | Rev AD   |  |         |  |



| PT. NO. | PARTS NAME | MATERIAL                                    | Q'TY | NOTE               |
|---------|------------|---|------|--------------------|
| 1       | HOUSING    | GLASS FILLED THERMOPLASTIC RATED. (UL94V-0) | 1    | COLOR: BROWN       |
| 2       | SLIDER     | PHOSPHOR BRONZE                             | 1    | COLOR: BLACK       |
| 3       | CONTACT    | PHOSPHOR BRONZE                             | n    | PLATING: TIN ALLOY |

n : NO. OF CONTACTS

RECOMMENDED PC BOARD LAYOUT (COMPONENT SIDE)



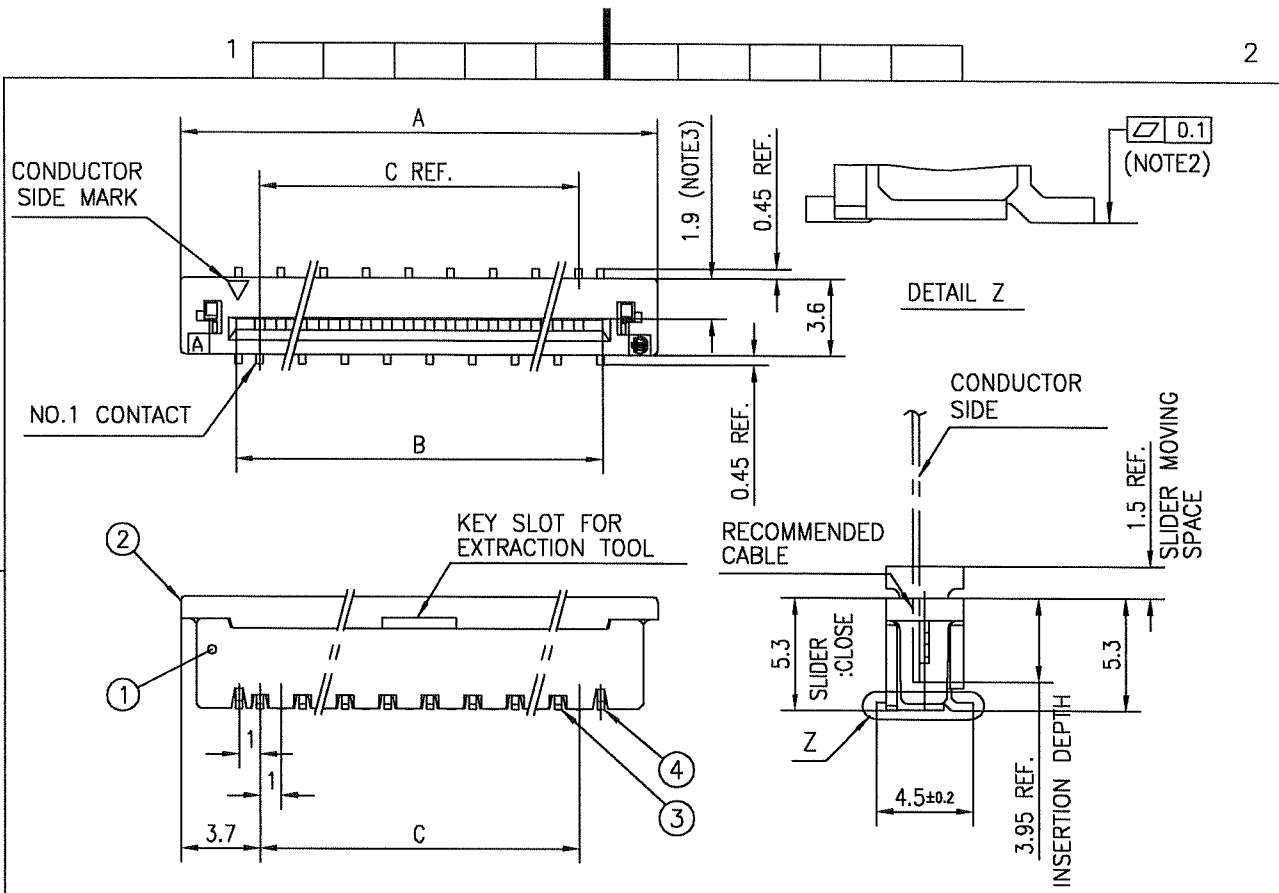
NOTES

1. THIS PRODUCT IS THE CONNECTOR DESIGNED TO TERMINATE FPC/FFC AND COPES WITH AUTOMATIC MOUNTING (SMT).
2. FLATNESS OF CONTACT TERMINAL MUST BE WITHIN TOLERANCE IN Z PORTION DETAILED DRAWING.
3. THIS DIMENSION IS SPACE FOR THE NOZZLE OF MOUNTER.

|                           |  |             |  |  |  |            |  |   |  |                   |  |
|---------------------------|--|-------------|--|--|--|------------|--|---|--|-------------------|--|
| mat'l. code               |  |             |  | surface 5B / tolerance ISO 1302 ✓ / ISO 406 / ISO 1101 |  | projection |  | product family 58SF   |  | CODE JP           |  |
| ltr ecn no dr date        |  |             |  | tolerances unless otherwise specified                  |  | mm         |  | title   |  |                   |  |
| AA J04-0333 H.T Oct.13/04 |  |             |  | ±0.2   |  | mm         |  | 1mm SPACING SURFACE MOUNT FPC/FFC CONNECTOR (CAT.No.SFW__S-2ST__) |  |                   |  |
| AB J06-0430 H.T 10/19/06  |  |             |  | linear   |  | scale X    |  | dwg no  |  | sheet 1 of 1 size |  |
|                           |  |             |  | dr 10/19/06  |  | FCI        |  | JSA 93579   |  | A4                |  |
|                           |  |             |  | enr 10/19/06   |  |            |  | type Product Customer Drawing                                     |  | Rev. AB           |  |
|                           |  |             |  | chr 10/18/06   |  |            |  |   |  |                   |  |
|                           |  |             |  | appd 10/20/06  |  |            |  |   |  |                   |  |
| sheet index               |  | revision AB |  |  |  |            |  |   |  |                   |  |
| 1                         |  | 1           |  |  |  |            |  |   |  |                   |  |



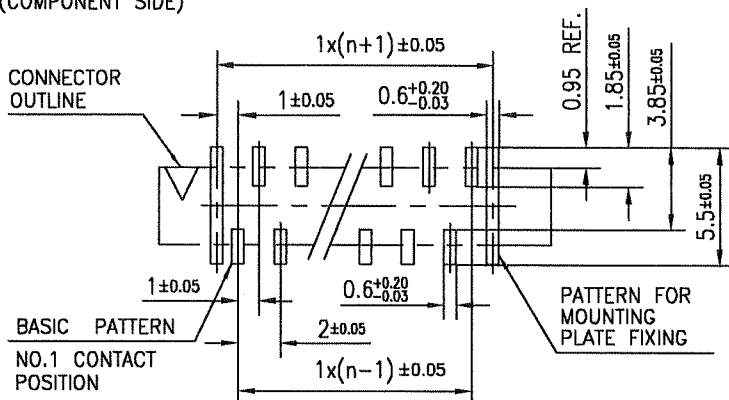
Copyright FCI.



| PT. NO. | PARTS NAME     | MATERIAL                                    | Q'TY | NOTE              |
|---------|----------------|---|------|-------------------|
| 1       | HOUSING        | GLASS FILLED THERMOPLASTIC RATED. (UL94V-0) | 1    | COLOR:BROWN       |
| 2       | SLIDER         |   | 1    | COLOR:BLACK       |
| 3       | CONTACT        | PHOSPHOR BRONZE                             | n    | PLATING:TIN ALLOY |
| 4       | MOUNTING PLATE | BRASS                                       | 2    |                   |

n : NO. OF CONTACTS

RECOMMENDED PC BOARD LAYOUT  
(COMPONENT SIDE)



NOTES

1. THIS PRODUCT IS THE CONNECTOR DESIGNED TO TERMINATE FPC/FFC AND COPE WITH AUTOMATIC MOUNTING (SMT).
2. FLATNESS OF CONTACT TERMINAL AND MOUNTING PLATE MUST BE WITHIN TOLERANCE IN Z PORTION DETAILED DRAWING.
3. THIS DIMENSION IS SPACE FOR THE NOZZLE OF MOUNTER.

|                             |  |                |  |  |  |            |  |  |  |                   |  |
|-----------------------------|--|----------------|--|--|--|------------|--|--|--|-------------------|--|
| mat'l. code                 |  |                |  | surface 58 / tolerance ISO 1302 ✓ ISO 406 ISO 1101 |  | projection |  | product family 58SF  |  | CODE JP           |  |
| ltr ecn no dr date          |  |                |  | tolerances unless otherwise specified              |  | mm         |  | title  |  |                   |  |
| AA J04-0333 H.T. Oct.13,'04 |  |                |  | angles linear ±0.2                                 |  | mm         |  | 1mm SPACING SURFACE MOUNT FPC/FFC CONNECTOR (CAT.No.SFW__S-2STM__) |  |                   |  |
| AB J06-0430 H.T. 10/19/06   |  |                |  |  |  | scale X    |  | dwg no   |  | sheet 1 of 1 size |  |
|                             |  |                |  | dr H. S. / 12/19/06                                |  | FCI        |  | JSA 93836  |  | A4                |  |
|                             |  |                |  | enr H. S. / 10/19/06                               |  |            |  | type Product Customer Drawing                                      |  |                   |  |
|                             |  |                |  | chr R. S. / 10/19/06                               |  |            |  |  |  | Rev AB            |  |
|                             |  |                |  | appd S. S. / 10/20/06                              |  |            |  |  |  |                   |  |
| sheet index                 |  | revision sheet |  | AB 1   |  |            |  |  |  |                   |  |

CAT. NO. & DIMENSIONS

| (NOTE4) | NO. OF CONTACTS (n) | CAT. NO. (NOTE2) | DIMENSIONS (NOTE3) |         |         |
|---------|---------------------|------------------|--------------------|---------|---------|
|         |                     |                  | D ± 5              | E ± 0.3 | F ± 0.1 |
|         | 4                   | SFW4S-2ST_E1     | 28.4               | 24      | —       |
|         | 5                   | SFW5S-2ST_E1     | 28.4               | 24      | —       |
|         | 6                   | SFW6S-2ST_E1     | 28.4               | 24      | —       |
| *       | 7                   | SFW7S-2ST_E1     | 28.4               | 24      | —       |
|         | 8                   | SFW8S-2ST_E1     | 28.4               | 24      | —       |
| *       | 9                   | SFW9S-2ST_E1     | 28.4               | 24      | —       |
|         | 10                  | SFW10S-2ST_E1    | 28.4               | 24      | —       |
|         | 11                  | SFW11S-2ST_E1    | 28.4               | 24      | —       |
| *       | 12                  | SFW12S-2ST_E1    | 36.4               | 32      | 28.4    |
|         | 13                  | SFW13S-2ST_E1    | 36.4               | 32      | 28.4    |
|         | 14                  | SFW14S-2ST_E1    | 36.4               | 32      | 28.4    |
|         | 15                  | SFW15S-2ST_E1    | 36.4               | 32      | 28.4    |
|         | 16                  | SFW16S-2ST_E1    | 48.4               | 44      | 40.4    |
|         | 17                  | SFW17S-2ST_E1    | 48.4               | 44      | 40.4    |
| *       | 18                  | SFW18S-2ST_E1    | 48.4               | 44      | 40.4    |
| *       | 19                  | SFW19S-2ST_E1    | 48.4               | 44      | 40.4    |
|         | 20                  | SFW20S-2ST_E1    | 48.4               | 44      | 40.4    |
| *       | 21                  | SFW21S-2ST_E1    | 48.4               | 44      | 40.4    |
|         | 22                  | SFW22S-2ST_E1    | 48.4               | 44      | 40.4    |
|         | 23                  | SFW23S-2ST_E1    | 48.4               | 44      | 40.4    |
|         | 24                  | SFW24S-2ST_E1    | 48.4               | 44      | 40.4    |
| *       | 25                  | SFW25S-2ST_E1    | 48.4               | 44      | 40.4    |
|         | 26                  | SFW26S-2ST_E1    | 48.4               | 44      | 40.4    |
| *       | 27                  | SFW27S-2ST_E1    | 60.4               | 56      | 52.4    |
|         | 28                  | SFW28S-2ST_E1    | 60.4               | 56      | 52.4    |
|         | 29                  | SFW29S-2ST_E1    | 60.4               | 56      | 52.4    |
|         | 30                  | SFW30S-2ST_E1    | 60.4               | 56      | 52.4    |
| *       | 31                  | SFW31S-2ST_E1    | 60.4               | 56      | 52.4    |
| *       | 32                  | SFW32S-2ST_E1    | 60.4               | 56      | 52.4    |



NOTES

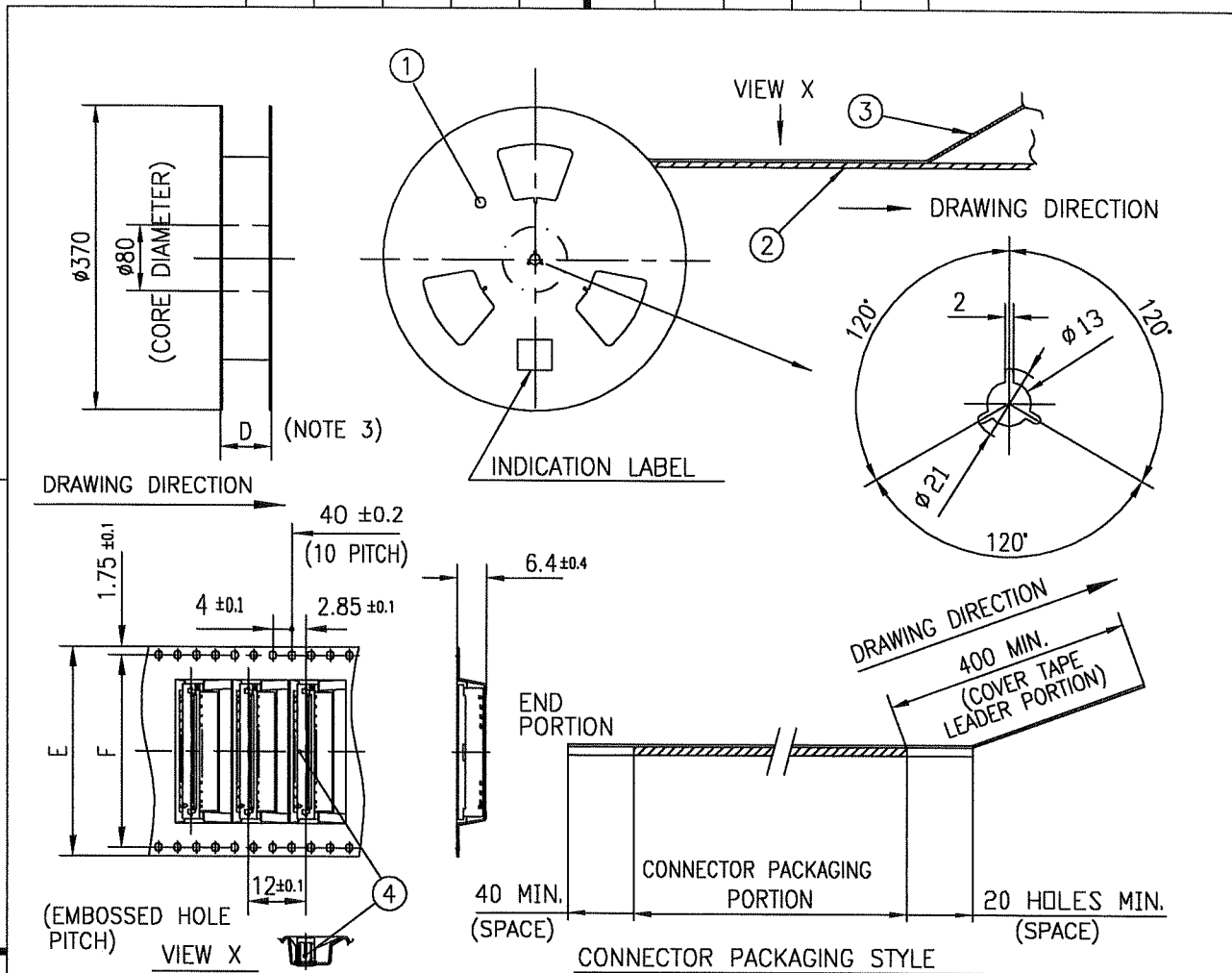
1. THIS PRODUCT IS THE CONNECTOR DESIGNED TO TERMINATE FPC/FFC AND COPEs WITH AUTOMATIC MOUNTING (SMT).
2. THIS CATALOG NO. INDICATES PLASTIC TAPE PACKAGED CONNECTOR.
3. SEE PART DRAWINGS FOR DIMENSIONS D~F.
4. PLEASE CONSULT US IN CASE OF USING PARTS WITH \* MARK.



FCIconnect.com

Copyright FCI.

|                            |  |             |  |  |  |            |  |  |  |         |  |
|----------------------------|--|-------------|--|--|--|------------|--|--|--|---------|--|
| mat'l. code                |  |             |  | surface 58 / tolerance ISO 1302 ✓ / ISO 406 / ISO 1101 |  | projection |  | product family 58SF  |  | CODE JP |  |
| ltr ecn no dr date         |  |             |  | tolerances unless otherwise specified                  |  | mm         |  | title  |  |         |  |
| AA J04-0333 H.T 2004-10-13 |  |             |  | angles linear  |  | scale X    |  | CAT NO. TABLE FOR PLASTIC TAPE PACKAGED 1mm SPACING SMT CONN. (CAT.No.SFW__S-2ST_E1) |  |         |  |
| AB J05-0547 H.T 2005-8-30  |  |             |  | dr   |  | FCI        |  | dwg no sheet 1 of 1 size   |  |         |  |
| AC J06-0430 H.T 2006-10-19 |  |             |  | enr  |  |            |  | JSA 93343 A4   |  |         |  |
| AD J07-0407 H.T 2007-8-9   |  |             |  | chr  |  |            |  | type Product Customer Drawing  |  |         |  |
|                            |  |             |  | appd   |  |            |  |  |  |         |  |
| sheet index                |  | revision AD |  | sheet 1  |  |            |  |  |  | Rev. AD |  |



| PT. NO. | PARTS NAME             | CAT. NO.     | MATERIAL          | Q'TY  | NOTE               |
|---------|------------------------|--------------|-------------------|-------|--------------------|
| 1       | REEL                   | _____        | CARDBOARD         | 1     | COLOR:GRAY         |
| 2       | PLASTIC (EMBOSSD) TAPE | _____        | PET               | _____ | COLOR:TRANSPARENCY |
| 3       | COVER                  | _____        | POLYESTER         | _____ | COLOR:TRANSPARENCY |
| 4       | CONNECTOR              | SFW__S-2ST__ | SEE ATTACHED DWG. | 1000  | _____              |

NOTES

1. THIS IS PLASTIC TAPE PACKAGED CONNECTOR USED FOR FPC/FFC AND COPES WITH AUTOMATIC MOUNTING (SMT).
2. SEE JIS C 0806 (PACKING OF ELECTRONIC COMPONENTS ON CONTINUOUS TAPES (SURFACE MOUNTING DEVICES)) FOR SHAPE AND DIMENSIONS OF PLASTIC (EMBOSSD) TAPE AND REEL.
3. F DIMENSION IS PORTION OF THE CORE.

|             |                |                     |                            |                                       |  |         |
|-------------|----------------|---------------------|----------------------------|---------------------------------------|--|---------|
| mat'l. code |                | surface 58/ISO 1302 | tolerance ISO 406/ISO 1101 | projection                            | product family 58SF                          | CODE JP |
| ltr         | ecn no         | dr                  | date                       | tolerances unless otherwise specified | title  |         |
| AA          | J04-0333       | H.T.                | Oct.13,'04                 | ±5                                    | PLASTIC TAPE PACKAGED                        |         |
| AB          | J06-0430       | H.T.                | 10/19/06                   | linear                                | 1mm SPACING SMT CONNECTOR                    |         |
|             |                |                     |                            | ±5'                                   | (CATA.No.SFW__S-2ST_E1)                      |         |
|             |                | dr                  | 10/19/06                   | mm                                    | <br>dwg no JSA 93338<br>sheet 1 of 1 size A4 |         |
|             |                | enrg                | 10/19/06                   | scale X                               |  |         |
|             |                | chr                 | 10/19/06                   | Product Customer Drawing              |  |         |
|             |                | appd                | 10/20/06                   |                                       | type Product Customer Drawing                |         |
| sheet index | revision sheet | AB                  | 1                          | Rev. AB                               |  |         |



FCconnect.com

Copyright FCJ.

RECOMMENDED CABLE (FPC)

n : NO. OF CONDUCTORS



| PT. NO. | DESCRIPTION     | MATERIAL                               | THICKNESS (μm) |
|---------|-----------------|--|----------------|
| 1       | BASE FILM       | POLYIMIDE OR POLYESTER OR EQUIVALENT   | 25             |
| 2       | CONDUCTOR       | COPPER FOIL(PLATING : SOLDER 1μm MIN.) | 35             |
| 3       | OVERLAY         | POLYIMIDE OR POLYESTER OR EQUIVALENT   | —              |
| 4       | SUPPORTING TAPE | POLYESTER OR POLYIMIDE OR EQUIVALENT   | 188            |

NOTES

1. NO BURR AT EACH PORTION.
2. NO PEELING IN COMMON USE.
3. TOTAL THICKNESS LIMIT OF EACH MATERIAL (INCLUDING ADHESIVE AGENT) IS SPECIFIED.

|                            |  |                |  |   |  |            |  |                               |  |         |  |
|----------------------------|--|----------------|--|---|--|------------|--|-------------------------------|--|---------|--|
| mat'l. code                |  |                |  | surface 58 / tolerance ISO 406 ISO 1101 |  | projection |  | product family 58SF           |  | CODE JP |  |
| ltr ecn no dr date         |  |                |  | tolerances unless otherwise specified   |  | mm         |  | title                         |  |         |  |
| AA J04-0333 H.T Oct.13,'04 |  |                |  | angles linear                           |  | mm         |  | RECOMMENDED CABLE             |  |         |  |
| AB J06-0430 H.T 10/19/06   |  |                |  |   |  | scale X    |  | (CAT.No.SFW__S-2ST__)         |  |         |  |
|                            |  |                |  | dr 10/19/06                             |  | FCI        |  | dwg no sheet 1 of 1 size      |  |         |  |
|                            |  |                |  | enr 10/19/06                            |  |            |  | JSA 93340                     |  | A4      |  |
|                            |  |                |  | chr 10/19/06                            |  |            |  | type Product Customer Drawing |  |         |  |
|                            |  |                |  | appd 10/20/06                           |  |            |  |                               |  |         |  |
| sheet index                |  | revision sheet |  | AB 1                                    |  |            |  |                               |  | Rev AB  |  |



FCIconnect.com

Copyright FCI.

RECOMMENDED CABLE (FFC)

n : NO. OF CONDUCTORS



| PT. NO. | DESCRIPTION     | MATERIAL                                | NOTE                               |
|---------|-----------------|---|------------------------------------|
| 1       | INSULATOR       | FLAME RESISTING POLYESTER OR EQUIVALENT | _____                              |
| 2       | CONDUCTOR       | COPPER FOIL                             | PLATING: TIN OR SOLDER<br>1µm MIN. |
| 3       | SUPPORTING TAPE | FLAME RESISTING POLYESTER OR EQUIVALENT | _____                              |

NOTES

1. NO BURR AT EACH PORTION.
2. NO PEELING IN COMMON USE.

|                           |  |                     |  |  |  |            |  |   |  |         |  |
|---------------------------|--|---------------------|--|--|--|------------|--|---|--|---------|--|
| mat'l. code               |  |                     |  | surface 5B / tolerance ISO 1302 ✓ ISO 406 ISO 1101 |  | projection |  | product family 58SF                     |  | CODE JP |  |
| ltr ecn no dr date        |  |                     |  | tolerances unless otherwise specified              |  |            |  | title                                   |  |         |  |
| AA J04-0333 H.T. 06.13.04 |  |                     |  | angles linear                                      |  | mm         |  | RECOMMENDED CABLE (CAT.No.SFW__S-2ST__) |  |         |  |
| AB J06-0430 H.T. 10/19/06 |  |                     |  |  |  | scale X    |  | dwg no sheet 1 of 1 size                |  | A4      |  |
|                           |  |                     |  | dr <i>H. Hoshino</i> 10/19/06                      |  |            |  | JSA 93341                               |  |         |  |
|                           |  |                     |  | enr <i>H. Hoshino</i> 10/19/06                     |  |            |  | type Product Customer Drawing           |  |         |  |
|                           |  |                     |  | chr <i>R. Shiojiri</i> 10/19/06                    |  |            |  |   |  |         |  |
|                           |  |                     |  | appd <i>P. Nishida</i> 10/20/06                    |  |            |  |   |  |         |  |
| sheet index               |  | revision AB sheet 1 |  |  |  |            |  |   |  | Rev AB  |  |



FCIconnect.com

Copyright FCI.





Компания «ЭлектроПласт» предлагает заключение долгосрочных отношений при поставках импортных электронных компонентов на взаимовыгодных условиях!

Наши преимущества:

- Оперативные поставки широкого спектра электронных компонентов отечественного и импортного производства напрямую от производителей и с крупнейших мировых складов;
- Поставка более 17-ти миллионов наименований электронных компонентов;
- Поставка сложных, дефицитных, либо снятых с производства позиций;
- Оперативные сроки поставки под заказ (от 5 рабочих дней);
- Экспресс доставка в любую точку России;
- Техническая поддержка проекта, помощь в подборе аналогов, поставка прототипов;
- Система менеджмента качества сертифицирована по Международному стандарту ISO 9001;
- Лицензия ФСБ на осуществление работ с использованием сведений, составляющих государственную тайну;
- Поставка специализированных компонентов (Xilinx, Altera, Analog Devices, Intersil, Interpoint, Microsemi, Aeroflex, Peregrine, Syfer, Eurofarad, Texas Instrument, Miteq, Cobham, E2V, MA-COM, Hittite, Mini-Circuits, General Dynamics и др.);

Помимо этого, одним из направлений компании «ЭлектроПласт» является направление «Источники питания». Мы предлагаем Вам помощь Конструкторского отдела:

- Подбор оптимального решения, техническое обоснование при выборе компонента;
- Подбор аналогов;
- Консультации по применению компонента;
- Поставка образцов и прототипов;
- Техническая поддержка проекта;
- Защита от снятия компонента с производства.



#### Как с нами связаться

**Телефон:** 8 (812) 309 58 32 (многоканальный)

**Факс:** 8 (812) 320-02-42

**Электронная почта:** [org@eplast1.ru](mailto:org@eplast1.ru)

**Адрес:** 198099, г. Санкт-Петербург, ул. Калинина, дом 2, корпус 4, литера А.