



FCIconnect.com

Copyright FCI.

### Configuration of Documents

P/N	Documents	No.	Title	CAT.No.
SFW_S-25T(M)E1	Specification Connector dwg.	SC-SFWS01	CAT.NO.TABLE FOR 1mm SPACING SMT CONNECTOR	SFW_S-25T
		JSA93342	1mm SPACING SURFACE MOUNT FPC/FFC CONNECTOR	SFW_S-25T
		JSA93579	1mm SPACING SURFACE MOUNT FPC/FFC CONNECTOR	SFW_S-25TM
		JSA93836	CAT. NO. TABLE FOR PLASTIC TAPE PACKAGED 1mm SPACING SMT CONN.	SFW_S-25T_E1
		JSA93343	PLASTIC TAPE PACKAGED 1mm SPACING SMT CONNECTOR	SFW_S-25T_E1
		JSA93338	RECOMMENDED CABLE	SFW_S-25T
		JSA93340	RECOMMENDED CABLE	SFW_S-25T
		JSA93341	RECOMMENDED CABLE	SFW_S-25T
		BJM-SFWS101	RECOMMENDED CABLE	SFW_S-25T
		JSA93900	RECOMMENDED CABLE	SFW_S-25T
SFW_S-65T(M)E1	Specification Connector dwg.	SC-SFWS02	CAT.NO.TABLE FOR 1mm SPACING SMT CONNECTOR	SFW_S-65T
		JSA93900	1mm SPACING SURFACE MOUNT C/C CONNECTOR	SFW_S-65T
		JSA93905	1mm SPACING SURFACE MOUNT C/C CONNECTOR	SFW_S-65TM
		JSA93901	CAT. NO. TABLE FOR PLASTIC TAPE PACKAGED 1mm SPACING SMT CONN.	SFW_S-65T_E1
		JSA93902	PLASTIC TAPE PACKAGED 1mm SPACING SMT CONNECTOR	SFW_S-65T_E1
		JSA93903	RECOMMENDED CABLE	SFW_S-65T
		JSA93904	RECOMMENDED CABLE	SFW_S-65T
		BJM-SFWS102	RECOMMENDED CABLE	SFW_S-65T
		JSA96516	RECOMMENDED CABLE	SFW_S-65T
		JSA96517	RECOMMENDED CABLE	SFW_S-65T
SFW_S-25T(M)E1LF	Specification Connector dwg.	SC-SFWS03	CAT.NO.TABLE FOR 1mm SPACING SMT CONNECTOR	SFW_S-25T_LF
		JSA96516	1mm SPACING SURFACE MOUNT FPC/FFC CONNECTOR	SFW_S-25T_LF
		JSA96517	1mm SPACING SURFACE MOUNT FPC/FFC CONNECTOR	SFW_S-25TM_LF
		JSA96518	CAT. NO. TABLE FOR PLASTIC TAPE PACKAGED 1mm SPACING SMT CONN.	SFW_S-25T_E1LF
		JSA96519	PLASTIC TAPE PACKAGED 1mm SPACING SMT CONNECTOR	SFW_S-25T_E1LF
		JSA96520	RECOMMENDED CABLE	SFW_S-25T_LF
		JSA93340	RECOMMENDED CABLE	SFW_S-25T_LF
		JSA93341	RECOMMENDED CABLE	SFW_S-25T_LF
		BJM-SFWS101	RECOMMENDED CABLE	SFW_S-25T_LF
		JSA96521	RECOMMENDED CABLE	SFW_S-25T_LF
SFW_S-65T(M)E1LF	Specification Connector dwg.	SC-SFWS04	CAT. NO. TABLE FOR 1mm SPACING SMT CONNECTOR	SFW_S-65T_LF
		JSA96521	1mm SPACING SURFACE MOUNT C/C CONNECTOR	SFW_S-65T_LF
		JSA96522	1mm SPACING SURFACE MOUNT C/C CONNECTOR	SFW_S-65TM_LF
		JSA96523	CAT. NO. TABLE FOR PLASTIC TAPE PACKAGED 1mm SPACING SMT CONN.	SFW_S-65T_E1LF
		JSA96524	PLASTIC TAPE PACKAGED 1mm SPACING SMT CONNECTOR	SFW_S-65T_E1LF
		JSA96525	RECOMMENDED CABLE	SFW_S-65T_LF
		JSA93904	RECOMMENDED CABLE	SFW_S-65T_LF
		BJM-SFWS102	RECOMMENDED CABLE	SFW_S-65T_LF
		JSA96526	RECOMMENDED CABLE	SFW_S-65T_LF
		JSA96527	RECOMMENDED CABLE	SFW_S-65T_LF

mat'l. code		surface 58 / tolerance ISO 1302 / ISO 406 / ISO 1101		projection		product family 58SF		CODE JP	
ltr	ecn no	dr	date	tolerances unless otherwise specified		title		sheet 1 of 1	
A	J05-0334	H.T	6/3/'05	angles linear		SFW_S Documents Configuration (1mm Spacing connector)		size A4	
B	J05-0377	H.T	6/22/'05	mm		dwg no JSA96060		type Product Customer Drawing	
C	J06-0430	H.T	10/19/'06	scale		sheet 1 of 1		Rev. C	
sheet index		revision sheet		dr		FCI		Rev. C	
		C 1		H. Shoji 10/19/06					
				R. Shoji 10/19/06					
				S. Anderson 10/20/06					

CAT. NO. & DIMENSIONS

NOTE3	NO. OF CONTACTS (n)	CAT. NO.	DIMENSIONS (NOTE2)		
			A ±0.2	B ±0.2	C ±0.2
	4	SFW4S-2ST____	10.4	5.24	3
	5	SFW5S-2ST____	11.4	6.24	4
	6	SFW6S-2ST____	12.4	7.24	5
*	7	SFW7S-2ST____	13.4	8.24	6
	8	SFW8S-2ST____	14.4	9.24	7
*	9	SFW9S-2ST____	15.4	10.24	8
	10	SFW10S-2ST____	16.4	11.24	9
	11	SFW11S-2ST____	17.4	12.24	10
*	12	SFW12S-2ST____	18.4	13.24	11
	13	SFW13S-2ST____	19.4	14.24	12
	14	SFW14S-2ST____	20.4	15.24	13
	15	SFW15S-2ST____	21.4	16.24	14
	16	SFW16S-2ST____	22.4	17.24	15
	17	SFW17S-2ST____	23.4	18.24	16
*	18	SFW18S-2ST____	24.4	19.24	17
*	19	SFW19S-2ST____	25.4	20.24	18
	20	SFW20S-2ST____	26.4	21.24	19
*	21	SFW21S-2ST____	27.4	22.24	20
	22	SFW22S-2ST____	28.4	23.24	21
	23	SFW23S-2ST____	29.4	24.24	22
	24	SFW24S-2ST____	30.4	25.24	23
*	25	SFW25S-2ST____	31.4	26.24	24
	26	SFW26S-2ST____	32.4	27.24	25
*	27	SFW27S-2ST____	33.4	28.24	26
	28	SFW28S-2ST____	34.4	29.24	27
	29	SFW29S-2ST____	35.4	30.24	28
	30	SFW30S-2ST____	36.4	31.24	29
*	31	SFW31S-2ST____	37.4	32.24	30
*	32	SFW32S-2ST____	38.4	33.24	31



NOTES

1. THIS PRODUCT IS THE CONNECTOR, DESIGNED TO TERMINATE FPC/FFC AND COPE WITH AUTOMATIC MOUNTING (SMT).
2. SEE PART DRAWINGS FOR DIMENSIONS A.B.C.
3. PLEASE CONSULT US IN CASE OF USING PARTS WITH \* MARK

mat'l. code				surface 58 / tolerance ISO 1302 / ISO 406 / ISO 1101		projection		product family 58SF		CODE JP	
ltr ecn no dr date				tolerances unless otherwise specified		mm		title CAT. NO. TABLE FOR 1mm SPACING SMT CONNECTOR (CAT.No.SFW__S-2ST__)			
AA	J04-0333	H.T	2004-10-13	angles linear		scale X		dwg no JSA 93342		sheet 1 of 1 size A4	
AB	J05-0547	H.T	2005-8-30	dr		FCJ		type Product Customer Drawing			
AC	J06-0430	H.T	2006-10-19	engr							
AD	J07-0407	H.T	2007-8-9	chr							
				appd							
sheet index		revision sheet 1		AD				Rev AD			



PT. NO.	PARTS NAME	MATERIAL	Q'TY	NOTE
1	HOUSING	GLASS FILLED THERMOPLASTIC RATED. (UL94V-0)	1	COLOR: BROWN
2	SLIDER	PHOSPHOR BRONZE	1	COLOR: BLACK
3	CONTACT	PHOSPHOR BRONZE	n	PLATING: TIN ALLOY

n : NO. OF CONTACTS

RECOMMENDED PC BOARD LAYOUT (COMPONENT SIDE)



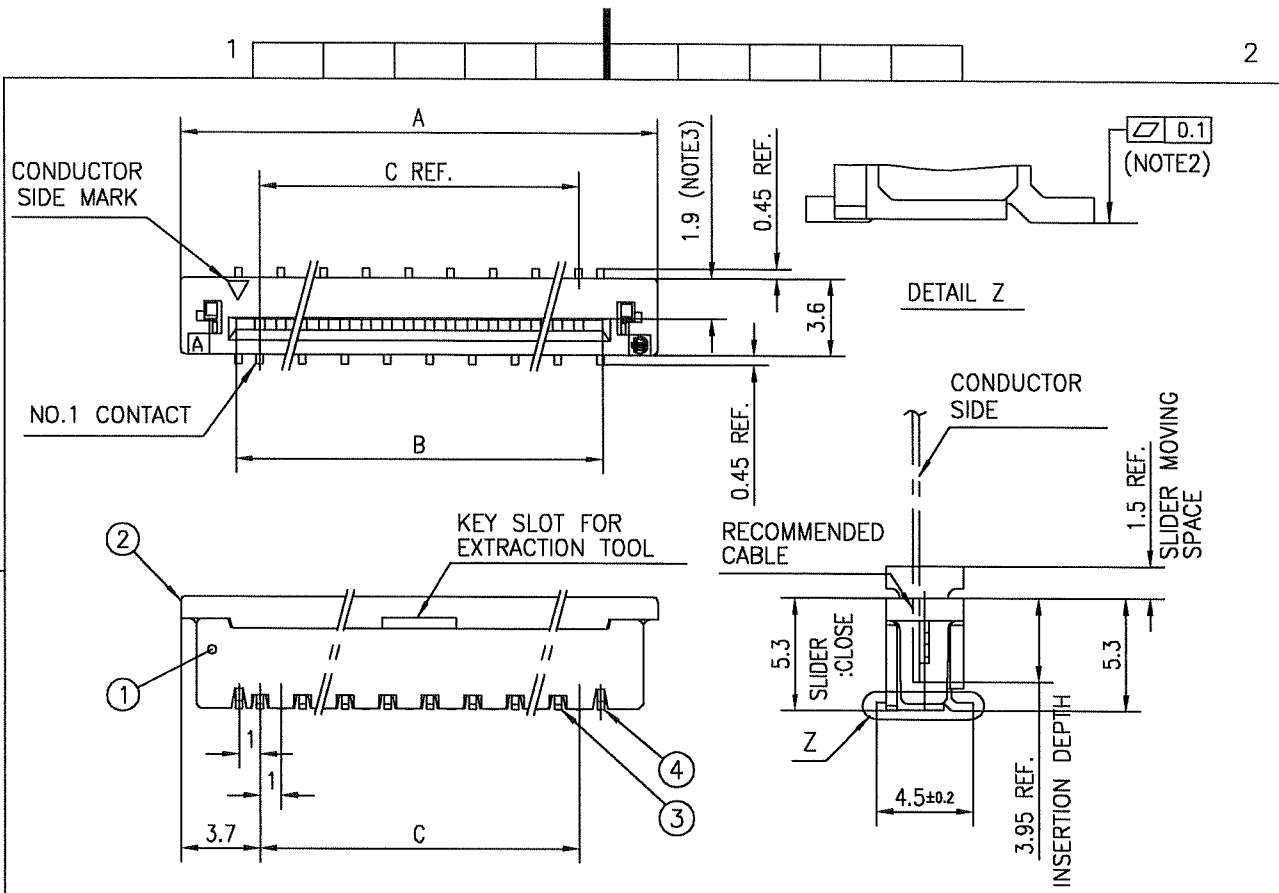
NOTES

1. THIS PRODUCT IS THE CONNECTOR DESIGNED TO TERMINATE FPC/FFC AND COPES WITH AUTOMATIC MOUNTING (SMT).
2. FLATNESS OF CONTACT TERMINAL MUST BE WITHIN TOLERANCE IN Z PORTION DETAILED DRAWING.
3. THIS DIMENSION IS SPACE FOR THE NOZZLE OF MOUNTER.

mat'l. code				surface 5B / tolerance ISO 1302 ✓ / ISO 406 / ISO 1101		projection		product family 58SF		CODE JP	
ltr ecn no dr date				tolerances unless otherwise specified		mm		title			
AA J04-0333 H.T Oct.13/04				±0.2		mm		1mm SPACING SURFACE MOUNT FPC/FFC CONNECTOR (CAT.No.SFW__S-2ST__)			
AB J06-0430 H.T 10/19/06				angles linear		scale X		dwg no sheet 1 of 1 size			
				dr 10/19/06		FCI		JSA 93579 A4			
				enr 10/19/06				type Product Customer Drawing			
				chr 10/18/06				Rev. AB			
				appd 10/20/06							
sheet index		revision AB									
1		1									



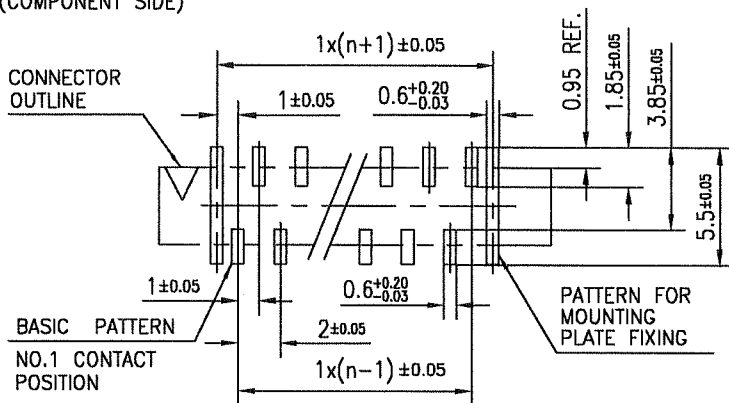
Copyright FCI.



PT. NO.	PARTS NAME	MATERIAL	Q'TY	NOTE
1	HOUSING	GLASS FILLED THERMOPLASTIC RATED. (UL94V-0)	1	COLOR:BROWN
2	SLIDER		1	COLOR:BLACK
3	CONTACT	PHOSPHOR BRONZE	n	PLATING:TIN ALLOY
4	MOUNTING PLATE	BRASS	2	

n : NO. OF CONTACTS

RECOMMENDED PC BOARD LAYOUT  
(COMPONENT SIDE)



NOTES

1. THIS PRODUCT IS THE CONNECTOR DESIGNED TO TERMINATE FPC/FFC AND COPEs WITH AUTOMATIC MOUNTING (SMT).
2. FLATNESS OF CONTACT TERMINAL AND MOUNTING PLATE MUST BE WITHIN TOLERANCE IN Z PORTION DETAILED DRAWING.
3. THIS DIMENSION IS SPACE FOR THE NOZZLE OF MOUNTER.

mat'l. code				surface 58 / tolerance ISO 1302 ✓ ISO 406 ISO 1101		projection		product family 58SF		CODE JP	
ltr ecn no dr date				tolerances unless otherwise specified		mm		title			
AA J04-0333 H.T. Oct.13,'04				angles linear ±0.2		mm		1mm SPACING SURFACE MOUNT FPC/FFC CONNECTOR (CAT.No.SFW__S-2STM__)			
AB J06-0430 H.T. 10/19/'06						scale X		dwg no		sheet 1 of 1 size	
				dr H. S. / 12/19/06		FCI		JSA 93836		A4	
				enr H. S. / 10/19/06				type Product Customer Drawing			
				chr R. S. / 10/19/06						Rev AB	
				appd S. S. / 10/20/06							
sheet index		revision sheet		AB 1							

CAT. NO. & DIMENSIONS

(NOTE4)	NO. OF CONTACTS (n)	CAT. NO. (NOTE2)	DIMENSIONS (NOTE3)		
			D ± 5	E ± 0.3	F ± 0.1
	4	SFW4S-2ST_E1	28.4	24	—
	5	SFW5S-2ST_E1	28.4	24	—
	6	SFW6S-2ST_E1	28.4	24	—
*	7	SFW7S-2ST_E1	28.4	24	—
	8	SFW8S-2ST_E1	28.4	24	—
*	9	SFW9S-2ST_E1	28.4	24	—
	10	SFW10S-2ST_E1	28.4	24	—
	11	SFW11S-2ST_E1	28.4	24	—
*	12	SFW12S-2ST_E1	36.4	32	28.4
	13	SFW13S-2ST_E1	36.4	32	28.4
	14	SFW14S-2ST_E1	36.4	32	28.4
	15	SFW15S-2ST_E1	36.4	32	28.4
	16	SFW16S-2ST_E1	48.4	44	40.4
	17	SFW17S-2ST_E1	48.4	44	40.4
*	18	SFW18S-2ST_E1	48.4	44	40.4
*	19	SFW19S-2ST_E1	48.4	44	40.4
	20	SFW20S-2ST_E1	48.4	44	40.4
*	21	SFW21S-2ST_E1	48.4	44	40.4
	22	SFW22S-2ST_E1	48.4	44	40.4
	23	SFW23S-2ST_E1	48.4	44	40.4
	24	SFW24S-2ST_E1	48.4	44	40.4
*	25	SFW25S-2ST_E1	48.4	44	40.4
	26	SFW26S-2ST_E1	48.4	44	40.4
*	27	SFW27S-2ST_E1	60.4	56	52.4
	28	SFW28S-2ST_E1	60.4	56	52.4
	29	SFW29S-2ST_E1	60.4	56	52.4
	30	SFW30S-2ST_E1	60.4	56	52.4
*	31	SFW31S-2ST_E1	60.4	56	52.4
*	32	SFW32S-2ST_E1	60.4	56	52.4



NOTES

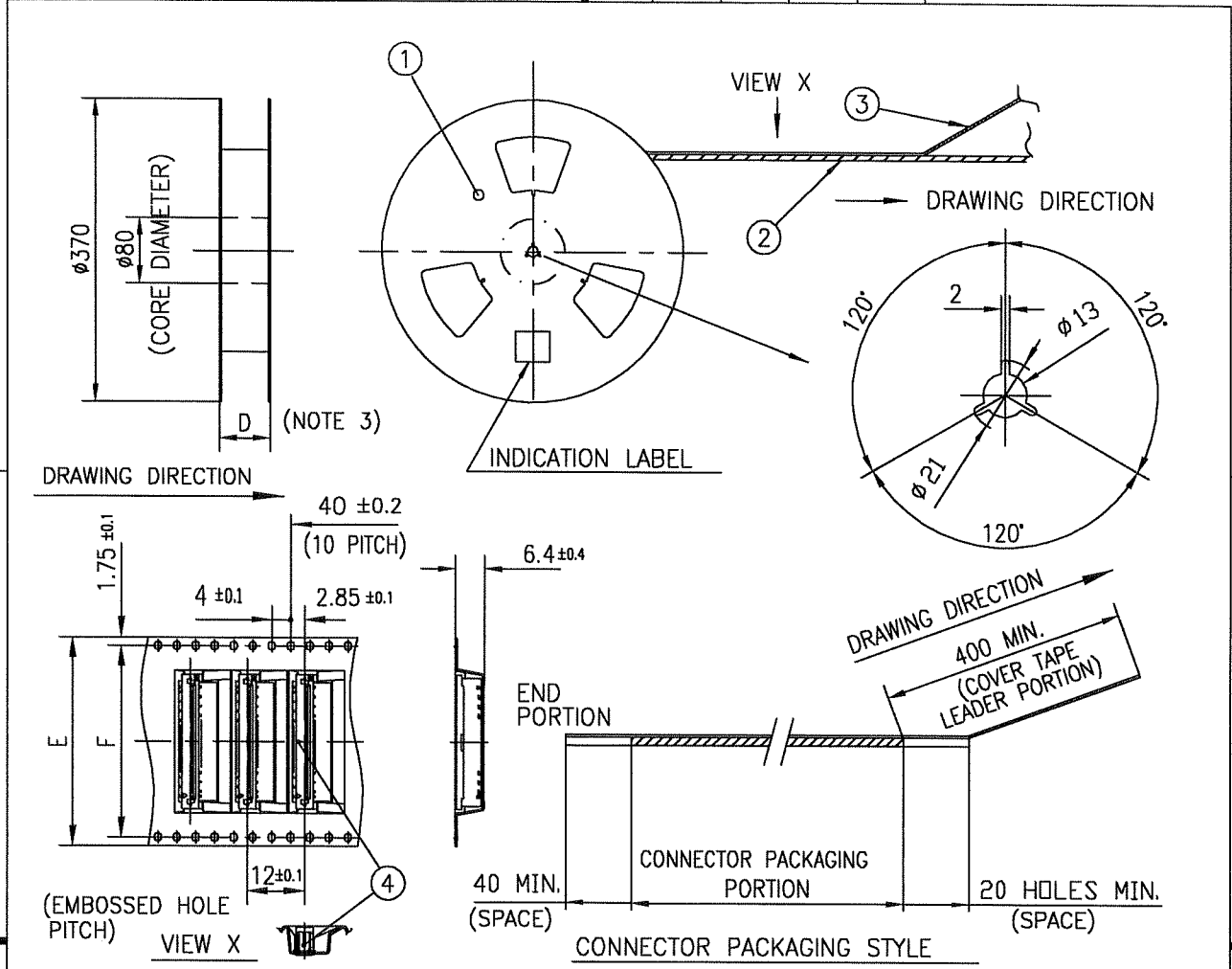
1. THIS PRODUCT IS THE CONNECTOR DESIGNED TO TERMINATE FPC/FFC AND COPEs WITH AUTOMATIC MOUNTING (SMT).
2. THIS CATALOG NO. INDICATES PLASTIC TAPE PACKAGED CONNECTOR.
3. SEE PART DRAWINGS FOR DIMENSIONS D~F.
4. PLEASE CONSULT US IN CASE OF USING PARTS WITH \* MARK.



FCIconnect.com

Copyright FCI.

mat'l. code				surface 58 / tolerance ISO 1302 ✓ / ISO 406 / ISO 1101		projection		product family 58SF		CODE JP	
ltr ecn no dr date				tolerances unless otherwise specified		mm		title			
AA J04-0333 H.T 2004-10-13				angles linear		scale X		CAT NO. TABLE FOR PLASTIC TAPE PACKAGED 1mm SPACING SMT CONN. (CAT.No.SFW__S-2ST_E1)			
AB J05-0547 H.T 2005-8-30				dr		FCI		dwg no		sheet 1 of 1 size	
AC J06-0430 H.T 2006-10-19				engr				JSA 93343		A4	
AD J07-0407 H.T 2007-8-9				chr				type Product Customer Drawing			
AD J07-0407 H.T 2007-8-9				appd							
sheet index		revision AD		sheet 1						Rev AD	



PT. NO.	PARTS NAME	CAT. NO.	MATERIAL	Q'TY	NOTE
1	REEL	_____	CARDBOARD	1	COLOR:GRAY
2	PLASTIC (EMBOSSD) TAPE	_____	PET	_____	COLOR:TRANSPARENCY
3	COVER	_____	POLYESTER	_____	COLOR:TRANSPARENCY
4	CONNECTOR	SFW__S-2ST__	SEE ATTACHED DWG.	1000	_____

- NOTES
1. THIS IS PLASTIC TAPE PACKAGED CONNECTOR USED FOR FPC/FFC AND COPES WITH AUTOMATIC MOUNTING (SMT).
  2. SEE JIS C 0806 (PACKING OF ELECTRONIC COMPONENTS ON CONTINUOUS TAPES (SURFACE MOUNTING DEVICES)) FOR SHAPE AND DIMENSIONS OF PLASTIC (EMBOSSD) TAPE AND REEL.
  3. F DIMENSION IS PORTION OF THE CORE.

mat'l. code				surface 58 / tolerance ISO 1302 / ISO 406 / ISO 1101		projection		product family 58SF		CODE JP	
ltr	ecn no	dr	date	tolerances unless otherwise specified		mm		title			
AA	J04-0333	H.T.	Oct.13,'04	angles	linear	mm		PLASTIC TAPE PACKAGED 1mm SPACING SMT CONNECTOR (CATA.No.SFW__S-2ST_E1)			
AB	J06-0430	H.T.	10/19/06	±5'		scale X		dwg no sheet 1 of 1 size			
				dr	engr	FCJ		JSA 93338 A4			
				chr	appd			type Product Customer Drawing			
sheet index	revision sheet	AB	1								Rev. AB

Copyright FCI.  
 FCIconnect.com  
 FCJ

RECOMMENDED CABLE (FPC)

n : NO. OF CONDUCTORS



PT. NO.	DESCRIPTION	MATERIAL	THICKNESS (μm)
1	BASE FILM	POLYIMIDE OR POLYESTER OR EQUIVALENT	25
2	CONDUCTOR	COPPER FOIL(PLATING : SOLDER 1μm MIN.)	35
3	OVERLAY	POLYIMIDE OR POLYESTER OR EQUIVALENT	—
4	SUPPORTING TAPE	POLYESTER OR POLYIMIDE OR EQUIVALENT	188

NOTES

1. NO BURR AT EACH PORTION.
2. NO PEELING IN COMMON USE.
3. TOTAL THICKNESS LIMIT OF EACH MATERIAL (INCLUDING ADHESIVE AGENT) IS SPECIFIED.

mat'l. code				surface 58 / tolerance ISO 406 ISO 1101		projection		product family 58SF		CODE JP	
ltr ecn no dr date				tolerances unless otherwise specified		mm		title			
AA J04-0333 H.T Oct.13,'04				angles linear		mm		RECOMMENDED CABLE			
AB J06-0430 H.T 10/19/06						scale X		(CAT.No.SFW__S-2ST__)			
				dr 10/19/06		FCI		dwg no sheet 1 of 1 size			
				enr 10/19/06				JSA 93340		A4	
				chr 10/19/06				type Product Customer Drawing			
				appd 10/20/06							
sheet index		revision sheet		AB 1						Rev AB	

RECOMMENDED CABLE (FFC)

n : NO. OF CONDUCTORS



PT. NO.	DESCRIPTION	MATERIAL	NOTE
1	INSULATOR	FLAME RESISTING POLYESTER OR EQUIVALENT	_____
2	CONDUCTOR	COPPER FOIL	PLATING: TIN OR SOLDER 1µm MIN.
3	SUPPORTING TAPE	FLAME RESISTING POLYESTER OR EQUIVALENT	_____

NOTES

1. NO BURR AT EACH PORTION.
2. NO PEELING IN COMMON USE.

mat'l. code				surface 5B / tolerance ISO 406 ISO 1101		projection		product family 58SF		CODE JP	
ltr ecn no dr date				tolerances unless otherwise specified		mm		title			
AA J04-0333 H.T. 06.13.04				angles linear		mm		RECOMMENDED CABLE (CAT.No.SFW__S-2ST__)			
AB J06-0430 H.T. 10/19/06						scale X		dwg no sheet 1 of 1 size			
				dr 10/19/06		FCI		JSA 93341 A4			
				enr 10/19/06				type Product Customer Drawing			
				chr R. Shouji 10/19/06							
				appd P. Nishida 10/20/06							
sheet index		revision AB								Rev. AB	
sheet 1											



FCIconnect.com

Copyright FCI.





Компания «ЭлектроПласт» предлагает заключение долгосрочных отношений при поставках импортных электронных компонентов на взаимовыгодных условиях!

Наши преимущества:

- Оперативные поставки широкого спектра электронных компонентов отечественного и импортного производства напрямую от производителей и с крупнейших мировых складов;
- Поставка более 17-ти миллионов наименований электронных компонентов;
- Поставка сложных, дефицитных, либо снятых с производства позиций;
- Оперативные сроки поставки под заказ (от 5 рабочих дней);
- Экспресс доставка в любую точку России;
- Техническая поддержка проекта, помощь в подборе аналогов, поставка прототипов;
- Система менеджмента качества сертифицирована по Международному стандарту ISO 9001;
- Лицензия ФСБ на осуществление работ с использованием сведений, составляющих государственную тайну;
- Поставка специализированных компонентов (Xilinx, Altera, Analog Devices, Intersil, Interpoint, Microsemi, Aeroflex, Peregrine, Syfer, Eurofarad, Texas Instrument, Miteq, Cobham, E2V, MA-COM, Hittite, Mini-Circuits, General Dynamics и др.);

Помимо этого, одним из направлений компании «ЭлектроПласт» является направление «Источники питания». Мы предлагаем Вам помощь Конструкторского отдела:

- Подбор оптимального решения, техническое обоснование при выборе компонента;
- Подбор аналогов;
- Консультации по применению компонента;
- Поставка образцов и прототипов;
- Техническая поддержка проекта;
- Защита от снятия компонента с производства.



#### Как с нами связаться

**Телефон:** 8 (812) 309 58 32 (многоканальный)

**Факс:** 8 (812) 320-02-42

**Электронная почта:** [org@eplast1.ru](mailto:org@eplast1.ru)

**Адрес:** 198099, г. Санкт-Петербург, ул. Калинина, дом 2, корпус 4, литера А.