



# **PIC12F635/PIC16F636/639**

## **Data Sheet**

8/14-Pin, Flash-Based 8-Bit  
CMOS Microcontrollers  
with nanoWatt Technology

\*8-bit, 8-pin Devices Protected by Microchip's Low Pin Count Patent: U. S. Patent No. 5,847,450. Additional U.S. and foreign patents and applications may be issued or pending.

---

---

**Note the following details of the code protection feature on Microchip devices:**

- Microchip products meet the specification contained in their particular Microchip Data Sheet.
- Microchip believes that its family of products is one of the most secure families of its kind on the market today, when used in the intended manner and under normal conditions.
- There are dishonest and possibly illegal methods used to breach the code protection feature. All of these methods, to our knowledge, require using the Microchip products in a manner outside the operating specifications contained in Microchip's Data Sheets. Most likely, the person doing so is engaged in theft of intellectual property.
- Microchip is willing to work with the customer who is concerned about the integrity of their code.
- Neither Microchip nor any other semiconductor manufacturer can guarantee the security of their code. Code protection does not mean that we are guaranteeing the product as "unbreakable."

Code protection is constantly evolving. We at Microchip are committed to continuously improving the code protection features of our products. Attempts to break Microchip's code protection feature may be a violation of the Digital Millennium Copyright Act. If such acts allow unauthorized access to your software or other copyrighted work, you may have a right to sue for relief under that Act.

---

Information contained in this publication regarding device applications and the like is provided only for your convenience and may be superseded by updates. It is your responsibility to ensure that your application meets with your specifications. MICROCHIP MAKES NO REPRESENTATIONS OR WARRANTIES OF ANY KIND WHETHER EXPRESS OR IMPLIED, WRITTEN OR ORAL, STATUTORY OR OTHERWISE, RELATED TO THE INFORMATION, INCLUDING BUT NOT LIMITED TO ITS CONDITION, QUALITY, PERFORMANCE, MERCHANTABILITY OR FITNESS FOR PURPOSE. Microchip disclaims all liability arising from this information and its use. Use of Microchip devices in life support and/or safety applications is entirely at the buyer's risk, and the buyer agrees to defend, indemnify and hold harmless Microchip from any and all damages, claims, suits, or expenses resulting from such use. No licenses are conveyed, implicitly or otherwise, under any Microchip intellectual property rights.

**Trademarks**

The Microchip name and logo, the Microchip logo, Accuron, dsPIC, KEELOQ, KEELOQ logo, microID, MPLAB, PIC, PICmicro, PICSTART, PRO MATE, PowerSmart, rfPIC, and SmartShunt are registered trademarks of Microchip Technology Incorporated in the U.S.A. and other countries.


AmpLab, FilterLab, Linear Active Thermistor, Migratable Memory, MXDEV, MXLAB, PS logo, SEEVAL, SmartSensor and The Embedded Control Solutions Company are registered trademarks of Microchip Technology Incorporated in the U.S.A.

Analog-for-the-Digital Age, Application Maestro, CodeGuard, dsPICDEM, dsPICDEM.net, dsPICworks, ECAN, ECONOMONITOR, FanSense, FlexROM, fuzzyLAB, In-Circuit Serial Programming, ICSP, ICEPIC, Mindi, MiWi, MPASM, MPLAB Certified logo, MPLIB, MPLINK, PICkit, PICDEM, PICDEM.net, PICLAB, PICtail, PowerCal, PowerInfo, PowerMate, PowerTool, REAL ICE, rLAB, rfPICDEM, Select Mode, Smart Serial, SmartTel, Total Endurance, UNI/O, WiperLock and ZENA are trademarks of Microchip Technology Incorporated in the U.S.A. and other countries.

SQTP is a service mark of Microchip Technology Incorporated in the U.S.A.

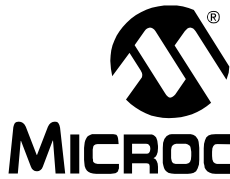
All other trademarks mentioned herein are property of their respective companies.

© 2007, Microchip Technology Incorporated, Printed in the U.S.A., All Rights Reserved.

 Printed on recycled paper.

*Microchip received ISO/TS-16949:2002 certification for its worldwide headquarters, design and wafer fabrication facilities in Chandler and Tempe, Arizona, Gresham, Oregon and Mountain View, California. The Company's quality system processes and procedures are for its PIC<sup>®</sup> MCUs and dsPIC<sup>®</sup> DSCs, KEELOQ<sup>®</sup> code hopping devices, Serial EEPROMs, microperipherals, nonvolatile memory and analog products. In addition, Microchip's quality system for the design and manufacture of development systems is ISO 9001:2000 certified.*

**QUALITY MANAGEMENT SYSTEM  
CERTIFIED BY DNV  
== ISO/TS 16949:2002 ==**



**MICROCHIP**

# PIC12F635/PIC16F636/639

## 8/14-Pin Flash-Based, 8-Bit CMOS Microcontrollers With nanoWatt Technology

### High-Performance RISC CPU:

- Only 35 instructions to learn:
  - All single-cycle instructions except branches
- Operating speed:
  - DC – 20 MHz oscillator/clock input
  - DC – 200 ns instruction cycle
- Interrupt capability
- 8-level deep hardware stack
- Direct, Indirect and Relative Addressing modes

### Special Microcontroller Features:

- Precision Internal Oscillator:
  - Factory calibrated to  $\pm 1\%$ , typical
  - Software selectable frequency range of 8 MHz to 125 kHz
  - Software tunable
  - Two-Speed Start-up mode
  - Crystal fail detect for critical applications
  - Clock mode switching during operation for power savings
- Clock mode switching for low-power operation
- Power-Saving Sleep mode
- Wide operating voltage range (2.0V-5.5V)
- Industrial and Extended Temperature range
- Power-on Reset (POR)
- Wake-up Reset (WUR)
- Independent weak pull-up/pull-down resistors
- Programmable Low-Voltage Detect (PLVD)
- Power-up Timer (PWRT) and Oscillator Start-up Timer (OST)
- Brown-out Reset (BOR) with software control option
- Enhanced Low-Current Watchdog Timer (WDT) with on-chip oscillator (software selectable nominal 268 seconds with full prescaler) with software enable
- Multiplexed Master Clear with pull-up/input pin
- Programmable code protection (program and data independent)
- High-Endurance Flash/EEPROM cell:
  - 100,000 write Flash endurance
  - 1,000,000 write EEPROM endurance
  - Flash/Data EEPROM Retention: > 40 years

### Low-Power Features:

- Standby Current:
  - 1 nA @ 2.0V, typical
- Operating Current:
  - 8.5  $\mu$ A @ 32 kHz, 2.0V, typical
  - 100  $\mu$ A @ 1 MHz, 2.0V, typical
- Watchdog Timer Current:
  - 1  $\mu$ A @ 2.0V, typical

### Peripheral Features:

- 6/12 I/O pins with individual direction control:
  - High-current source/sink for direct LED drive
  - Interrupt-on-change pin
  - Individually programmable weak pull-ups/pull-downs
  - Ultra Low-Power Wake-up
- Analog Comparator module with:
  - Up to two analog comparators
  - Programmable On-chip Voltage Reference (CVREF) module (% of VDD)
  - Comparator inputs and outputs externally accessible
- Timer0: 8-bit timer/counter with 8-bit programmable prescaler
- Enhanced Timer1:
  - 16-bit timer/counter with prescaler
  - External Timer1 Gate (count enable)
  - Option to use OSC1 and OSC2 in LP mode as Timer1 oscillator if INTOSC mode selected
- KEELOQ<sup>®</sup> compatible hardware Cryptographic module
- In-Circuit Serial Programming<sup>™</sup> (ICSP<sup>™</sup>) via two pins

### Low-Frequency Analog Front-End Features (PIC16F639 only):

- Three input pins for 125 kHz LF input signals
- High input detection sensitivity (3 mVPP, typical)
- Demodulated data, Carrier clock or RSSI output selection
- Input carrier frequency: 125 kHz, typical
- Input modulation frequency: 4 kHz, maximum
- 8 internal Configuration registers
- Bidirectional transponder communication (LF talk back)
- Programmable antenna tuning capacitance (up to 63 pF, 1 pF/step)
- Low standby current: 5  $\mu$ A (with 3 channels enabled), typical
- Low operating current: 15  $\mu$ A (with 3 channels enabled), typical
- Serial Peripheral Interface (SPI) with internal MCU and external devices
- Supports Battery Back-up mode and batteryless operation with external circuits

# PIC12F635/PIC16F636/639

---

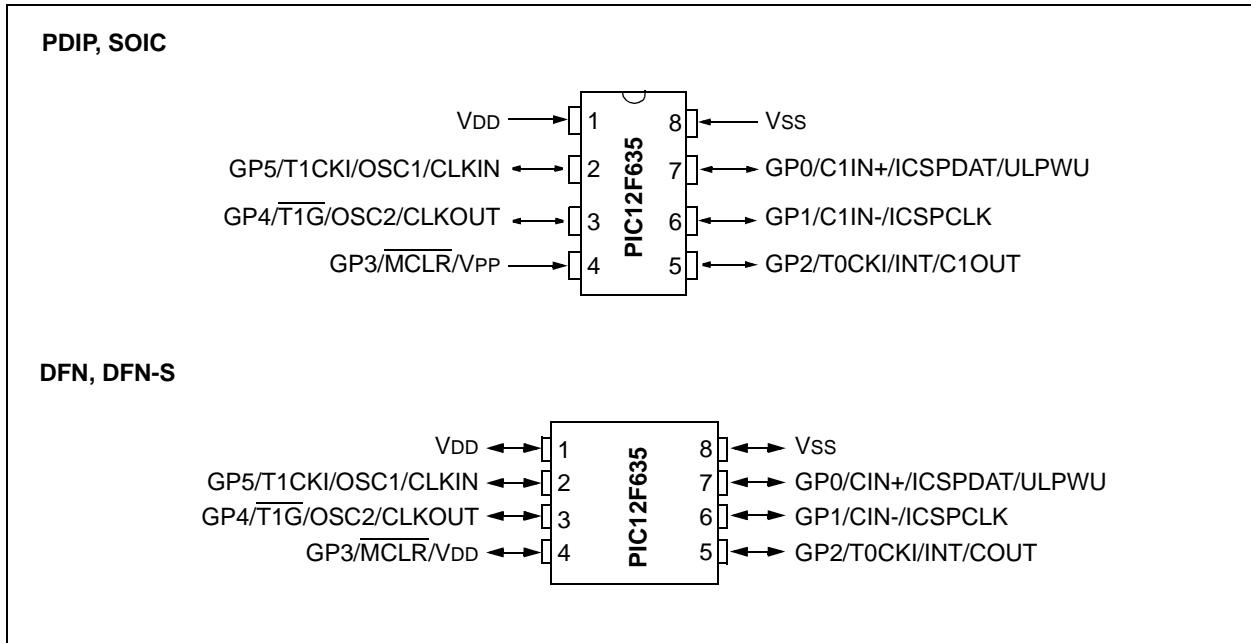
---

| Device    | Program Memory | Data Memory  |                | I/O | Comparators | Low Frequency Analog Front-End |
|-----------|----------------|--------------|----------------|-----|-------------|--------------------------------|
|           | Flash (words)  | SRAM (bytes) | EEPROM (bytes) |     |             |                                |
| PIC12F635 | 1024           | 64           | 128            | 6   | 1           | N                              |
| PIC16F636 | 2048           | 128          | 256            | 12  | 2           | N                              |
| PIC16F639 | 2048           | 128          | 256            | 12  | 2           | Y                              |

- Note 1:** Any references to PORTA, RAn, TRISA and TRISAn refer to GPIO, GPn, TRISIO and TRISIO<sub>n</sub>, respectively.
- 2:** VDDT is the supply voltage of the Analog Front-End section (PIC16F639 only). VDDT is treated as VDD in this document unless otherwise stated.
- 3:** VSST is the ground reference voltage of the Analog Front-End section (PIC16F639 only). VSST is treated as VSS in this document unless otherwise stated.

# PIC12F635/PIC16F636/639

## 8-Pin Diagrams (PDIP, SOIC, DFN, DFN-S)



**TABLE 1: 8-PIN SUMMARY (PDIP, SOIC, DFN, DFN-S)**

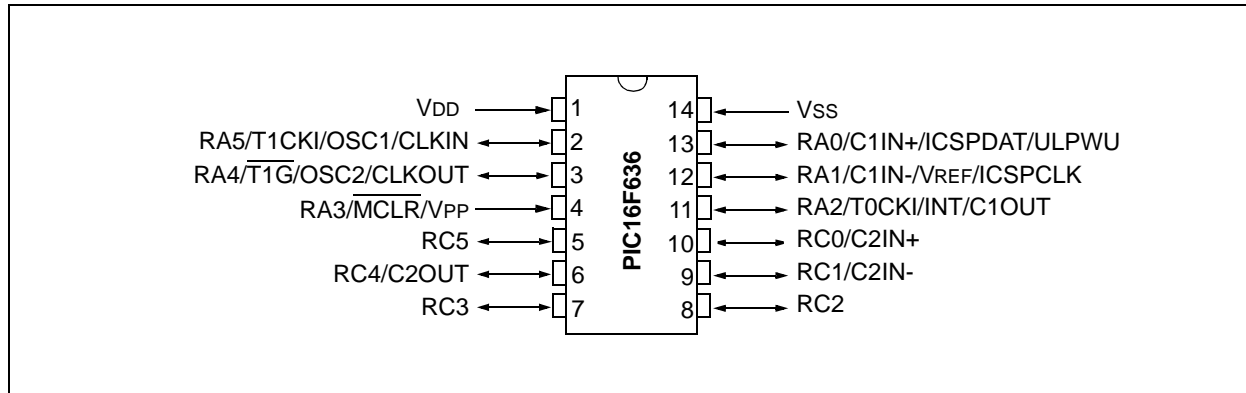
| I/O                | Pin | Comparators | Timer                   | Interrupts | Pull-ups         | Basic                               |
|--------------------|-----|-------------|-------------------------|------------|------------------|-------------------------------------|
| GP0                | 7   | C1IN+       | —                       | IOC        | Y                | ICSPDAT/ULPWU                       |
| GP1                | 6   | C1IN-       | —                       | IOC        | Y                | ICSPCLK                             |
| GP2                | 5   | C1OUT       | T0CKI                   | INT/IOC    | Y                | —                                   |
| GP3 <sup>(1)</sup> | 4   | —           | —                       | IOC        | Y <sup>(2)</sup> | $\overline{\text{MCLR}}/\text{VPP}$ |
| GP4                | 3   | —           | $\overline{\text{T1G}}$ | IOC        | Y                | OSC2/CLKOUT                         |
| GP5                | 2   | —           | T1CKI                   | IOC        | Y                | OSC1/CLKIN                          |
| —                  | 1   | —           | —                       | —          | —                | VDD                                 |
| —                  | 8   | —           | —                       | —          | —                | VSS                                 |

**Note 1:** Input only.

**2:** Only when pin is configured for external  $\overline{\text{MCLR}}$ .

# PIC12F635/PIC16F636/639

## 14-Pin Diagram (PDIP, SOIC, TSSOP)



**TABLE 2: 14-PIN SUMMARY (PDIP, SOIC, TSSOP)**

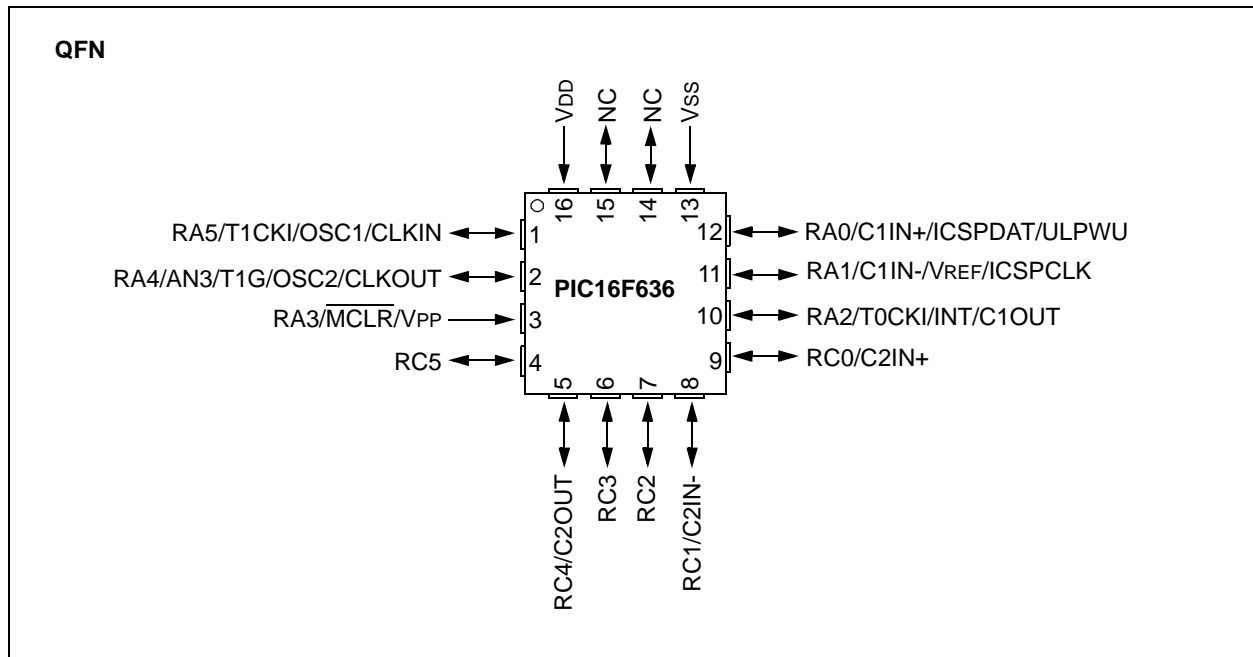
| I/O                | Pin | Comparators | Timer            | Interrupts | Pull-ups         | Basic                  |
|--------------------|-----|-------------|------------------|------------|------------------|------------------------|
| RA0                | 13  | C1IN+       | —                | IOC        | Y                | ICSPDAT/ULPWU          |
| RA1                | 12  | C1IN-       | —                | IOC        | Y                | VREF/ICSPCLK           |
| RA2                | 11  | C1OUT       | T0CKI            | INT/IOC    | Y                | —                      |
| RA3 <sup>(1)</sup> | 4   | —           | —                | IOC        | Y <sup>(2)</sup> | $\overline{MCLR}$ /VPP |
| RA4                | 3   | —           | $\overline{T1G}$ | IOC        | Y                | OSC2/CLKOUT            |
| RA5                | 2   | —           | T1CKI            | IOC        | Y                | OSC1/CLKIN             |
| RC0                | 10  | C2IN+       | —                | —          | —                | —                      |
| RC1                | 9   | C2IN-       | —                | —          | —                | —                      |
| RC2                | 8   | —           | —                | —          | —                | —                      |
| RC3                | 7   | —           | —                | —          | —                | —                      |
| RC4                | 6   | C2OUT       | —                | —          | —                | —                      |
| RC5                | 5   | —           | —                | —          | —                | —                      |
| —                  | 1   | —           | —                | —          | —                | VDD                    |
| —                  | 14  | —           | —                | —          | —                | Vss                    |

**Note 1:** Input only.

**Note 2:** Only when pin is configured for external  $\overline{MCLR}$ .

# PIC12F635/PIC16F636/639

## 16-Pin Diagram



**TABLE 3: 16-PIN SUMMARY**

| I/O                | Pin | Comparators | Timer | Interrupts | Pull-ups         | Basic         |
|--------------------|-----|-------------|-------|------------|------------------|---------------|
| RA0                | 12  | C1IN+       | —     | IOC        | Y                | ICSPDAT/ULPWU |
| RA1                | 11  | C1IN-       | —     | IOC        | Y                | VREF/ICSPCLK  |
| RA2                | 10  | C1OUT       | T0CKI | INT/IOC    | Y                | —             |
| RA3 <sup>(1)</sup> | 3   | —           | —     | IOC        | Y <sup>(2)</sup> | MCLR/VPP      |
| RA4                | 2   | —           | T1G   | IOC        | Y                | OSC2/CLKOUT   |
| RA5                | 1   | —           | T1CKI | IOC        | Y                | OSC1/CLKIN    |
| RC0                | 9   | C2IN+       | —     | —          | —                | —             |
| RC1                | 8   | C2IN-       | —     | —          | —                | —             |
| RC2                | 7   | —           | —     | —          | —                | —             |
| RC3                | 6   | —           | —     | —          | —                | —             |
| RC4                | 5   | C2OUT       | —     | —          | —                | —             |
| RC5                | 4   | —           | —     | —          | —                | —             |
| —                  | 16  | —           | —     | —          | —                | VDD           |
| —                  | 13  | —           | —     | —          | —                | VSS           |
| —                  | 14  | —           | —     | —          | —                | NC            |
| —                  | 15  | —           | —     | —          | —                | NC            |

**Note 1:** Input only.

**2:** Only when pin is configured for external MCLR.

# PIC12F635/PIC16F636/639

## 20-Pin Diagram

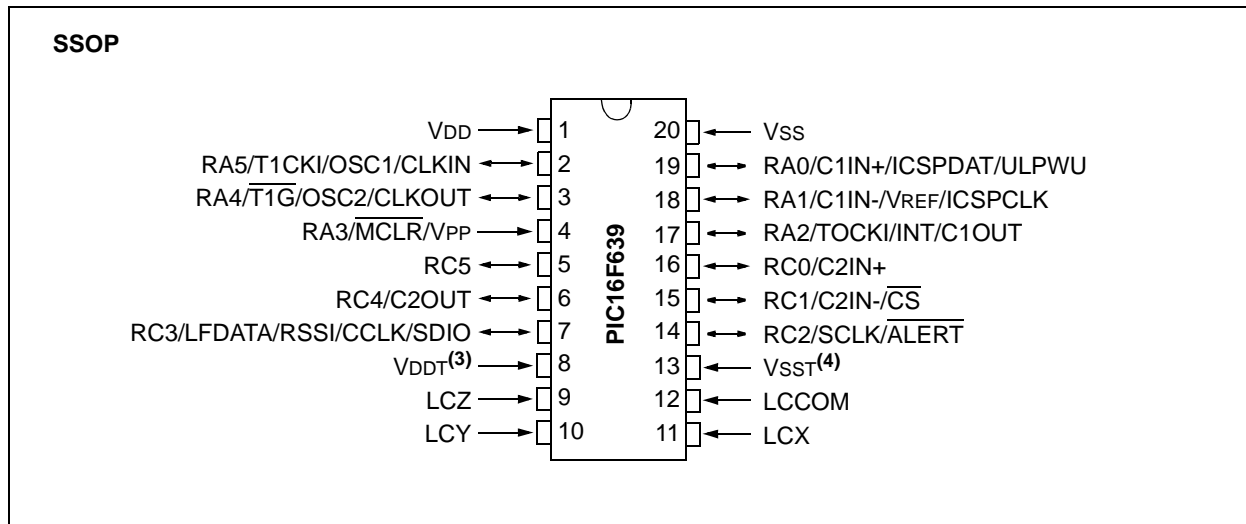


TABLE 4: 20-PIN SUMMARY

| I/O                | Pin | Analog Front-End   | Comparators | Timer            | Interrupts | Pull-ups                | Basic                      |
|--------------------|-----|--------------------|-------------|------------------|------------|-------------------------|----------------------------|
| RA0                | 19  | —                  | C1IN+       | —                | IOC        | Y                       | ICSPDAT/ULPWU              |
| RA1                | 18  | —                  | C1IN-       | —                | IOC        | Y                       | $\overline{VREF}$ /ICSPCLK |
| RA2                | 17  | —                  | C1OUT       | T0CKI            | INT/IOC    | Y                       | —                          |
| RA3 <sup>(1)</sup> | 4   | —                  | —           | —                | IOC        | $\gamma$ <sup>(2)</sup> | $\overline{MCLR}$ /VPP     |
| RA4                | 3   | —                  | —           | $\overline{T1G}$ | IOC        | Y                       | OSC2/CLKOUT                |
| RA5                | 2   | —                  | —           | T1CKI            | IOC        | Y                       | OSC1/CLKIN                 |
| RC0                | 16  | —                  | C2IN+       | —                | —          | —                       | —                          |
| RC1                | 15  | —                  | C2IN-       | —                | —          | —                       | $\overline{CS}$            |
| RC2                | 14  | $\overline{ALERT}$ | —           | —                | —          | —                       | SCLK                       |
| RC3                | 7   | LFDATA/RSSI        | —           | —                | —          | —                       | CCLK/SDIO                  |
| RC4                | 6   | —                  | C2OUT       | —                | —          | —                       | —                          |
| RC5                | 5   | —                  | —           | —                | —          | —                       | —                          |
| —                  | 8   | —                  | —           | —                | —          | —                       | VDDT <sup>(3)</sup>        |
| —                  | 13  | —                  | —           | —                | —          | —                       | VSST <sup>(4)</sup>        |
| —                  | 11  | LCX                | —           | —                | —          | —                       | —                          |
| —                  | 10  | LCY                | —           | —                | —          | —                       | —                          |
| —                  | 9   | LCZ                | —           | —                | —          | —                       | —                          |
| —                  | 12  | LCCOM              | —           | —                | —          | —                       | —                          |
| —                  | 1   | —                  | —           | —                | —          | —                       | VDD                        |
| —                  | 20  | —                  | —           | —                | —          | —                       | VSS                        |

Note 1: Input only.

2: Only when pin is configured for external  $\overline{MCLR}$ .

3: VDDT is the supply voltage of the Analog Front-End section (PIC16F639 only). VDDT is treated as VDD in this document unless otherwise stated.

4: VSST is the ground reference voltage of the Analog Front-End section (PIC16F639 only). VSST is treated as VSS in this document unless otherwise stated.



# PIC12F635/PIC16F636/639

## Table of Contents

|      |  |     |
|------|--|-----|
| 1.0  | Device Overview .....  | 9   |
| 2.0  | Memory Organization .....  | 17  |
| 3.0  | Clock Sources .....  | 35  |
| 4.0  | I/O Ports .....  | 47  |
| 5.0  | Timer0 Module .....  | 61  |
| 6.0  | Timer1 Module with Gate Control.....                                 | 64  |
| 7.0  | Comparator Module.....   | 71  |
| 8.0  | Programmable Low-Voltage Detect (PLVD) Module .....                  | 87  |
| 9.0  | Data EEPROM Memory .....   | 91  |
| 10.0 | KEELOQ® Compatible Cryptographic Module .....                        | 95  |
| 11.0 | Analog Front-End (AFE) Functional Description (PIC16F639 Only) ..... | 97  |
| 12.0 | Special Features of the CPU.....                                     | 129 |
| 13.0 | Instruction Set Summary .....  | 149 |
| 14.0 | Development Support.....   | 159 |
| 15.0 | Electrical Specifications.....                                       | 163 |
| 16.0 | DC and AC Characteristics Graphs and Tables.....                     | 191 |
| 17.0 | Packaging Information.....   | 211 |
|      | On-Line Support .....  | 223 |
|      | Systems Information and Upgrade Hot Line .....                       | 223 |
|      | Reader Response .....  | 224 |
|      | Appendix A: Data Sheet Revision History.....                         | 225 |
|      | Product Identification System .....                                  | 231 |
|      | Worldwide Sales and Service .....                                    | 232 |

## TO OUR VALUED CUSTOMERS

It is our intention to provide our valued customers with the best documentation possible to ensure successful use of your Microchip products. To this end, we will continue to improve our publications to better suit your needs. Our publications will be refined and enhanced as new volumes and updates are introduced.

If you have any questions or comments regarding this publication, please contact the Marketing Communications Department via E-mail at [docerrors@microchip.com](mailto:docerrors@microchip.com) or fax the **Reader Response Form** in the back of this data sheet to (480) 792-4150. We welcome your feedback.

### Most Current Data Sheet

To obtain the most up-to-date version of this data sheet, please register at our Worldwide Web site at:

<http://www.microchip.com>

You can determine the version of a data sheet by examining its literature number found on the bottom outside corner of any page. The last character of the literature number is the version number, (e.g., DS30000A is version A of document DS30000).

### Errata

An errata sheet, describing minor operational differences from the data sheet and recommended workarounds, may exist for current devices. As device/documentation issues become known to us, we will publish an errata sheet. The errata will specify the revision of silicon and revision of document to which it applies.

To determine if an errata sheet exists for a particular device, please check with one of the following:

- Microchip's Worldwide Web site; <http://www.microchip.com>
- Your local Microchip sales office (see last page)

When contacting a sales office, please specify which device, revision of silicon and data sheet (include literature number) you are using.

### Customer Notification System

Register on our web site at [www.microchip.com](http://www.microchip.com) to receive the most current information on all of our products.

# PIC12F635/PIC16F636/639

---

NOTES:

# PIC12F635/PIC16F636/639

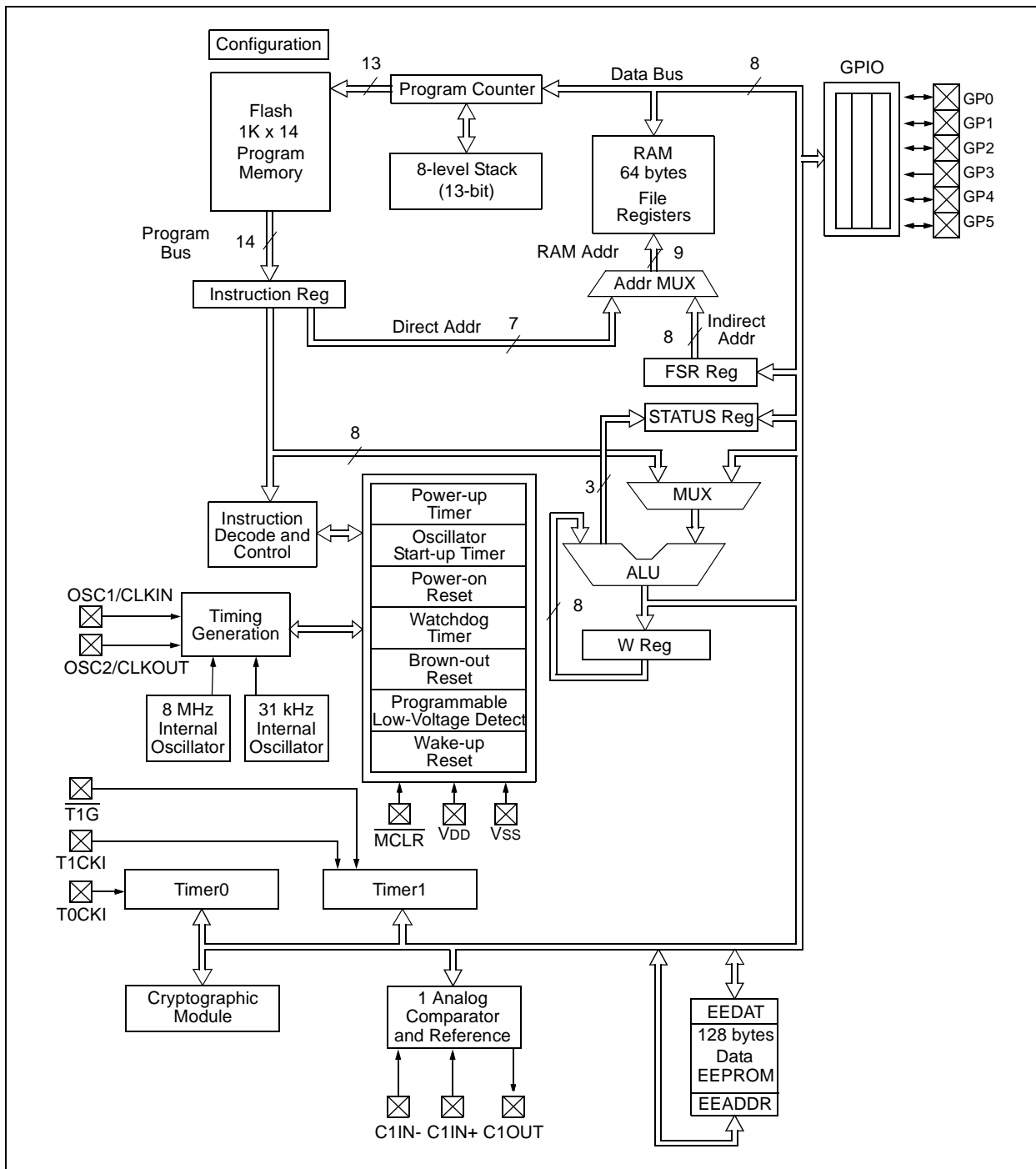
## 1.0 DEVICE OVERVIEW

This document contains device specific information for the PIC12F635/PIC16F636/639 devices.

Block Diagrams and pinout descriptions of the devices are as follows:

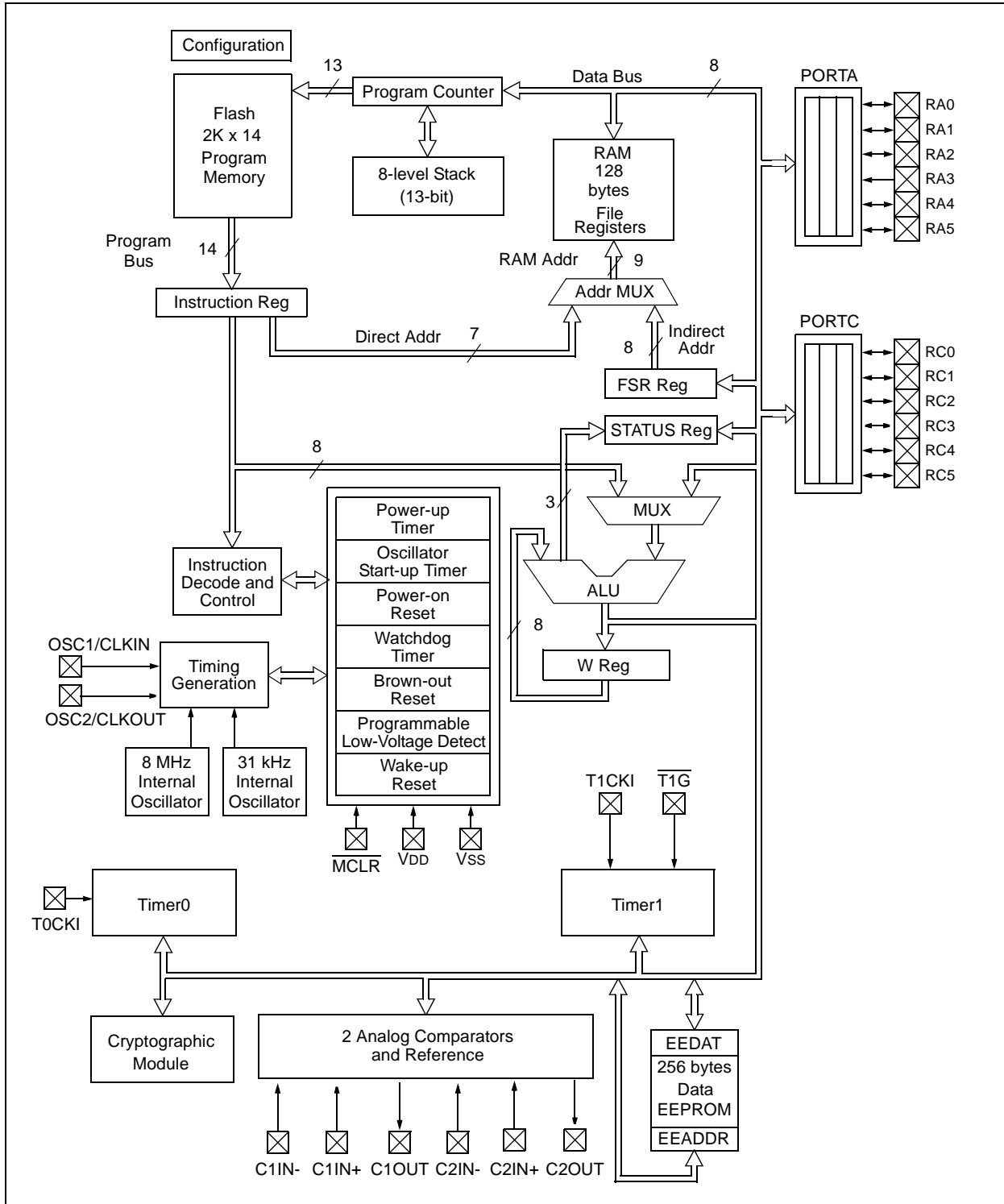
- PIC12F635 (Figure 1-1, Table 1-1)
- PIC16F636 (Figure 1-2, Table 1-2)
- PIC16F639 (Figure 1-3, Table 1-3)

**FIGURE 1-1: PIC12F635 BLOCK DIAGRAM**



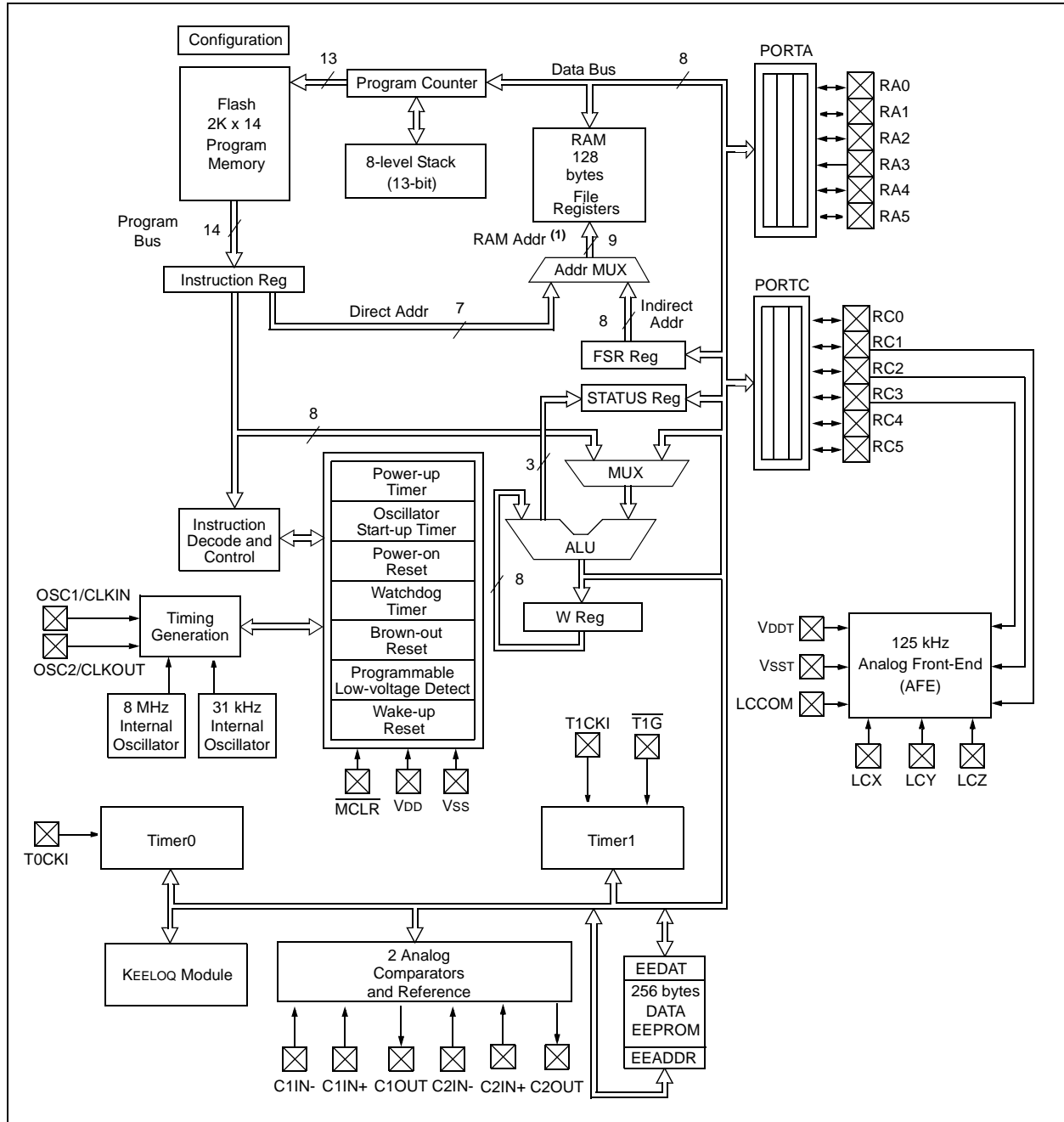
# PIC12F635/PIC16F636/639

FIGURE 1-2: PIC16F636 BLOCK DIAGRAM



# PIC12F635/PIC16F636/639

FIGURE 1-3: PIC16F639 BLOCK DIAGRAM



# PIC12F635/PIC16F636/639

**TABLE 1-1: PIC12F635 PINOUT DESCRIPTIONS**

| Name                    | Function | Input Type | Output Type | Description   |
|-------------------------|----------|------------|-------------|---|
| GP0/C1IN+/ICSPDAT/ULPWU | GP0      | TTL        | —           | General purpose I/O. Individually controlled interrupt-on-change. Individually enabled pull-up/pull-down. Selectable Ultra Low-Power Wake-up pin. |
|                         | C1IN+    | AN         | —           | Comparator 1 input – positive.  |
|                         | ICSPDAT  | TTL        | CMOS        | Serial programming data I/O.  |
|                         | ULPWU    | AN         | —           | Ultra Low-Power Wake-up input.  |
| GP1/C1IN-/ICSPCLK       | GP1      | TTL        | CMOS        | General purpose I/O. Individually controlled interrupt-on-change. Individually enabled pull-up/pull-down.   |
|                         | C1IN-    | AN         | —           | Comparator 1 input – negative.  |
|                         | ICSPCLK  | ST         | —           | Serial programming clock.   |
| GP2/T0CKI/INT/C1OUT     | GP2      | ST         | CMOS        | General purpose I/O. Individually controlled interrupt-on-change. Individually enabled pull-up/pull-down.   |
|                         | T0CKI    | ST         | —           | External clock for Timer0.  |
|                         | INT      | ST         | —           | External interrupt.   |
|                         | C1OUT    | —          | CMOS        | Comparator 1 output.  |
| GP3/MCLR/VPP            | GP3      | TTL        | —           | General purpose input. Individually controlled interrupt-on-change.   |
|                         | MCLR     | ST         | —           | Master Clear Reset. Pull-up enabled when configured as MCLR.  |
|                         | VPP      | HV         | —           | Programming voltage.  |
| GP4/T1G/OSC2/CLKOUT     | GP4      | TTL        | CMOS        | General purpose I/O. Individually controlled interrupt-on-change. Individually enabled pull-up/pull-down.   |
|                         | T1G      | ST         | —           | Timer1 gate.  |
|                         | OSC2     | —          | XTAL        | XTAL connection.  |
|                         | CLKOUT   | —          | CMOS        | Tosc/4 reference clock.   |
| GP5/T1CKI/OSC1/CLKIN    | GP5      | TTL        | CMOS        | General purpose I/O. Individually controlled interrupt-on-change. Individually enabled pull-up/pull-down.   |
|                         | T1CKI    | ST         | —           | Timer1 clock.   |
|                         | OSC1     | XTAL       | —           | XTAL connection.  |
|                         | CLKIN    | ST         | —           | Tosc reference clock.   |
| VDD                     | VDD      | D          | —           | Power supply for microcontroller.   |
| VSS                     | VSS      | D          | —           | Ground reference for microcontroller.   |

**Legend:** AN = Analog input or output      CMOS = CMOS compatible input or output      D = Direct  
 HV = High Voltage      ST = Schmitt Trigger input with CMOS levels  
 TTL = TTL compatible input      XTAL = Crystal

# PIC12F635/PIC16F636/639

**TABLE 1-2: PIC16F636 PINOUT DESCRIPTIONS**

| Name                    | Function | Input Type | Output Type | Description   |
|-------------------------|----------|------------|-------------|---|
| RA0/C1IN+/ICSPDAT/ULPWU | RA0      | TTL        | —           | General purpose I/O. Individually controlled interrupt-on-change. Individually enabled pull-up/pull-down. Selectable Ultra Low-Power Wake-up pin. |
|                         | C1IN+    | AN         | —           | Comparator 1 input – positive.  |
|                         | ICSPDAT  | TTL        | CMOS        | Serial programming data I/O.  |
|                         | ULPWU    | AN         | —           | Ultra Low-Power Wake-up input.  |
| RA1/C1IN-/VREF/ICSPCLK  | RA1      | TTL        | CMOS        | General purpose I/O. Individually controlled interrupt-on-change. Individually enabled pull-up/pull-down.   |
|                         | C1IN-    | AN         | —           | Comparator 1 input – negative.  |
|                         | VREF     | AN         | —           | External voltage reference  |
|                         | ICSPCLK  | ST         | —           | Serial programming clock.   |
| RA2/T0CKI/INT/C1OUT     | RA2      | ST         | CMOS        | General purpose I/O. Individually controlled interrupt-on-change. Individually enabled pull-up/pull-down.   |
|                         | T0CKI    | ST         | —           | External clock for Timer0.  |
|                         | INT      | ST         | —           | External interrupt.   |
|                         | C1OUT    | —          | CMOS        | Comparator 1 output.  |
| RA3/MCLR/VPP            | RA3      | TTL        | —           | General purpose input. Individually controlled interrupt-on-change.   |
|                         | MCLR     | ST         | —           | Master Clear Reset. Pull-up enabled when configured as MCLR.  |
|                         | VPP      | HV         | —           | Programming voltage.  |
| RA4/T1G/OSC2/CLKOUT     | RA4      | TTL        | CMOS        | General purpose I/O. Individually controlled interrupt-on-change. Individually enabled pull-up/pull-down.   |
|                         | T1G      | ST         | —           | Timer1 gate.  |
|                         | OSC2     | —          | XTAL        | XTAL connection.  |
|                         | CLKOUT   | —          | CMOS        | Tosc/4 reference clock.   |
| RA5/T1CKI/OSC1/CLKIN    | RA5      | TTL        | CMOS        | General purpose I/O. Individually controlled interrupt-on-change. Individually enabled pull-up/pull-down.   |
|                         | T1CKI    | ST         | —           | Timer1 clock.   |
|                         | OSC1     | XTAL       | —           | XTAL connection.  |
|                         | CLKIN    | ST         | —           | TOSC reference clock.   |
| RC0/C2IN+               | RC0      | TTL        | CMOS        | General purpose I/O.  |
|                         | C2IN+    | AN         | —           | Comparator 1 input – positive.  |
| RC1/C2IN-               | RC1      | TTL        | CMOS        | General purpose I/O.  |
|                         | C2IN-    | AN         | —           | Comparator 1 input – negative.  |
| RC2                     | RC2      | TTL        | CMOS        | General purpose I/O.  |
| RC3                     | RC3      | TTL        | CMOS        | General purpose I/O.  |
| RC4/C2OUT               | RC4      | TTL        | CMOS        | General purpose I/O.  |
|                         | C2OUT    | —          | CMOS        | Comparator 2 output.  |
| RC5                     | RC5      | TTL        | CMOS        | General purpose I/O.  |
| VDD                     | VDD      | D          | —           | Power supply for microcontroller.   |
| VSS                     | VSS      | D          | —           | Ground reference for microcontroller.   |

**Legend:** AN = Analog input or output      CMOS = CMOS compatible input or output      D = Direct  
 HV = High Voltage      ST = Schmitt Trigger input with CMOS levels  
 TTL = TTL compatible input      XTAL = Crystal

# PIC12F635/PIC16F636/639

**TABLE 1-3: PIC16F639 PINOUT DESCRIPTIONS**

| Name                    | Function | Input Type | Output Type | Description   |
|-------------------------|----------|------------|-------------|---|
| LCCOM                   | LCCOM    | AN         | —           | Common reference for analog inputs.   |
| LCX                     | LCX      | AN         | —           | 125 kHz analog X channel input.   |
| LCY                     | LCY      | AN         | —           | 125 kHz analog Y channel input.   |
| LCZ                     | LCZ      | AN         | —           | 125 kHz analog Z channel input.   |
| RA0/C1IN+/ICSPDAT/ULPWU | RA0      | TTL        | —           | General purpose I/O. Individually controlled interrupt-on-change. Individually enabled pull-up/pull-down. Selectable Ultra Low-Power Wake-up pin. |
|                         | C1IN+    | AN         | —           | Comparator1 input – positive.   |
|                         | ICSPDAT  | TTL        | CMOS        | Serial Programming Data IO.   |
|                         | ULPWU    | AN         | —           | Ultra Low-Power Wake-up input.  |
| RA1/C1IN-/VREF/ICSPCLK  | RA1      | TTL        | CMOS        | General purpose I/O. Individually controlled interrupt-on-change. Individually enabled pull-up/pull-down.   |
|                         | C1IN-    | AN         | —           | Comparator1 input – negative.   |
|                         | VREF     | AN         | —           | External voltage reference  |
|                         | ICSPCLK  | ST         | —           | Serial Programming Clock.   |
| RA2/TOCKI/INT/C1OUT     | RA2      | ST         | CMOS        | General purpose I/O. Individually controlled interrupt-on-change. Individually enabled pull-up/pull-down.   |
|                         | TOCKI    | ST         | —           | External clock for Timer0.  |
|                         | INT      | ST         | —           | External Interrupt.   |
|                         | C1OUT    | —          | CMOS        | Comparator1 output.   |
| RA3/MCLR/VPP            | RA3      | TTL        | —           | General purpose input. Individually controlled interrupt-on-change.   |
|                         | MCLR     | ST         | —           | Master Clear Reset. Pull-up enabled when configured as MCLR.  |
|                         | VPP      | HV         | —           | Programming voltage.  |
| RA4/T1G/OSC2/CLKOUT     | RA4      | TTL        | CMOS        | General purpose I/O. Individually controlled interrupt-on-change. Individually enabled pull-up/pull-down.   |
|                         | T1G      | ST         | —           | Timer1 gate.  |
|                         | OSC2     | —          | XTAL        | XTAL connection.  |
|                         | CLKOUT   | —          | CMOS        | Tosc reference clock.   |
| RA5/T1CKI/OSC1/CLKIN    | RA5      | TTL        | CMOS        | General purpose I/O. Individually controlled interrupt-on-change. Individually enabled pull-up/pull-down.   |
|                         | T1CKI    | ST         | —           | Timer1 clock.   |
|                         | OSC1     | XTAL       | —           | XTAL connection.  |
|                         | CLKIN    | ST         | —           | Tosc/4 reference clock.   |
| RC0/C2IN+               | RC0      | TTL        | CMOS        | General purpose I/O.  |
|                         | C2IN+    | AN         | —           | Comparator1 input – positive.   |
| RC1/C2IN-/CS            | RC1      | TTL        | CMOS        | General purpose I/O.  |
|                         | C2IN-    | AN         | —           | Comparator1 input – negative.   |
|                         | CS       | TTL        | —           | Chip select input for SPI communication with internal pull-up resistor.   |
| RC2/SCLK/ALERT          | RC2      | TTL        | CMOS        | General purpose I/O.  |
|                         | SCLK     | TTL        | —           | Digital clock input for SPI communication.  |
|                         | ALERT    | —          | OD          | Output with internal pull-up resistor for AFE error signal.   |

**Legend:** AN = Analog input or output      CMOS = CMOS compatible input or output      D = Direct  
 HV = High Voltage      ST = Schmitt Trigger input with CMOS levels      OD = Open Drain  
 TTL = TTL compatible input      XTAL = Crystal



# PIC12F635/PIC16F636/639

**TABLE 1-3: PIC16F639 PINOUT DESCRIPTIONS (CONTINUED)**

| Name                     | Function | Input Type | Output Type | Description  |
|--------------------------|----------|------------|-------------|--|
| RC3/LFDATA/RSSI/CCLK/SDO | RC3      | TTL        | CMOS        | General purpose I/O.   |
|                          | LFDATA   | —          | CMOS        | Digital output representation of analog input signal to LC pins.   |
|                          | RSSI     | —          | Current     | Received signal strength indicator. Analog current that is proportional to input amplitude.                        |
|                          | CCLK     | —          | —           | Carrier clock output.  |
|                          | SDIO     | TTL        | CMOS        | Input/Output for SPI communication.  |
| RC4/C2OUT                | RC4      | TTL        | CMOS        | General purpose I/O.   |
|                          | C2OUT    | —          | CMOS        | Comparator2 output.  |
| RC5                      | RC5      | TTL        | CMOS        | General purpose I/O.   |
| VDDT                     | VDDT     | D          | —           | Power supply for Analog Front-End. In this document, VDDT is treated the same as VDD, unless otherwise stated.     |
| VsST                     | VsST     | D          | —           | Ground reference for Analog Front-End. In this document, VsST is treated the same as VSS, unless otherwise stated. |
| VDD                      | VDD      | D          | —           | Power supply for microcontroller.  |
| VSS                      | VSS      | D          | —           | Ground reference for microcontroller.  |

**Legend:** AN = Analog input or output      CMOS = CMOS compatible input or output      D = Direct  
 HV = High Voltage      ST = Schmitt Trigger input with CMOS levels      OD = Open Drain  
 TTL = TTL compatible input      XTAL = Crystal

# PIC12F635/PIC16F636/639

---

NOTES:

# PIC12F635/PIC16F636/639

## 2.0 MEMORY ORGANIZATION

### 2.1 Program Memory Organization

The PIC12F635/PIC16F636/639 devices have a 13-bit program counter capable of addressing an 8K x 14 program memory space. Only the first 1K x 14 (0000h-03FFh, for the PIC12F635) and 2K x 14 (0000h-07FFh, for the PIC16F636/639) is physically implemented. Accessing a location above these boundaries will cause a wraparound within the first 2K x 14 space. The Reset vector is at 0000h and the interrupt vector is at 0004h (see Figure 2-1).

### 2.2 Data Memory Organization

The data memory (see Figure 2-2) is partitioned into two banks, which contain the General Purpose Registers (GPR) and the Special Function Registers (SFR). The Special Function Registers are located in the first 32 locations of each bank. Register locations 20h-7Fh in Bank 0 and A0h-BFh in Bank 1 are GPRs, implemented as static RAM for the PIC16F636/639. For the PIC12F635, register locations 40h through 7Fh are GPRs implemented as static RAM. Register locations F0h-FFh in Bank 1 point to addresses 70h-7Fh in Bank 0. All other RAM is unimplemented and returns '0' when read. RP0 of the STATUS register is the bank select bit.

| RP1 | RP0 |                      |
|-----|-----|----------------------|
| 0   | 0   | → Bank 0 is selected |
| 0   | 1   | → Bank 1 is selected |
| 1   | 0   | → Bank 2 is selected |
| 1   | 1   | → Bank 3 is selected |

FIGURE 2-1: PROGRAM MEMORY MAP AND STACK OF THE PIC12F635

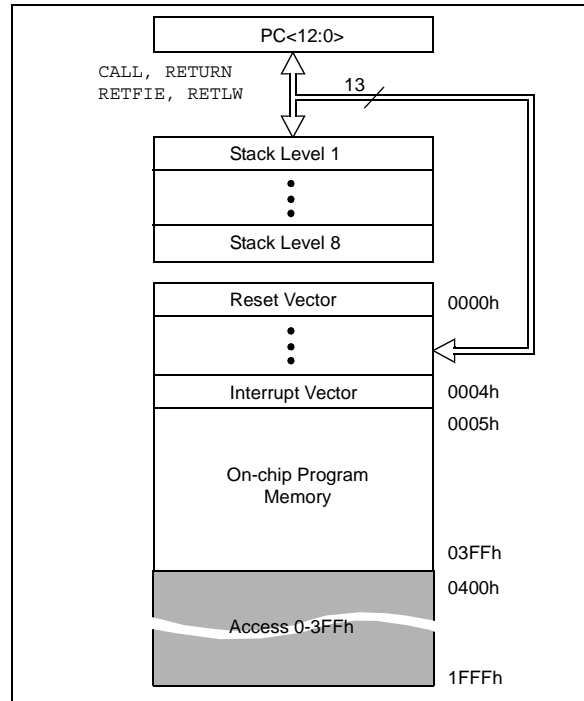
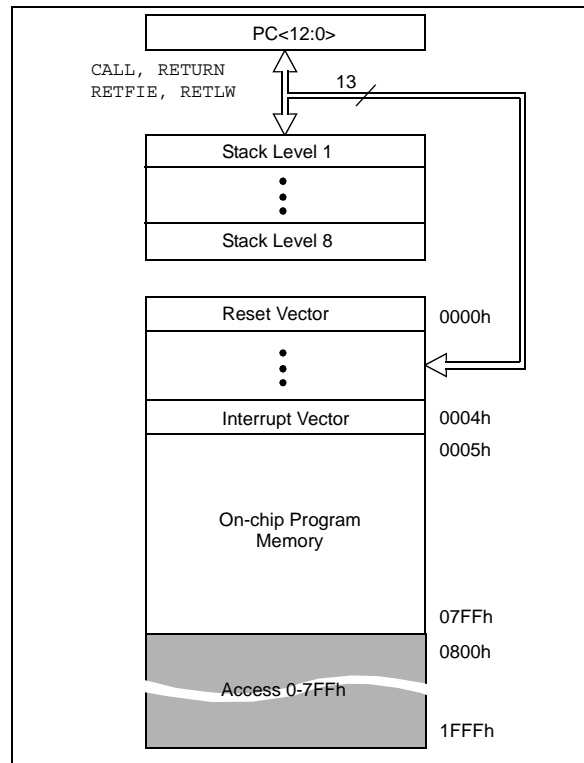


FIGURE 2-2: PROGRAM MEMORY MAP AND STACK OF THE PIC16F636/639



# PIC12F635/PIC16F636/639

---

## 2.2.1 GENERAL PURPOSE REGISTER

The register file is organized as 64 x 8 for the PIC12F635 and 128 x 8 for the PIC16F636/639. Each register is accessed, either directly or indirectly, through the File Select Register, FSR (see **Section 2.4 “Indirect Addressing, INDF and FSR Registers”**).

## 2.2.2 SPECIAL FUNCTION REGISTERS

The Special Function Registers (SFRs) are registers used by the CPU and peripheral functions for controlling the desired operation of the device (see Figure 2-1). These registers are static RAM.

The special registers can be classified into two sets: core and peripheral. The Special Function Registers associated with the “core” are described in this section. Those related to the operation of the peripheral features are described in the section of that peripheral feature.

# PIC12F635/PIC16F636/639

**FIGURE 2-3: PIC12F635 SPECIAL FUNCTION REGISTERS**

| File Address                          | File Address                      | File Address               | File Address          |
|---------------------------------------|-----------------------------------|----------------------------|-----------------------|
| Indirect addr. <sup>(1)</sup> 00h     | Indirect addr. <sup>(1)</sup> 80h | Accesses 00h-0Bh 100h      | Accesses 80h-8Bh 180h |
| TMR0 01h                              | OPTION_REG 81h                    | 101h                       | 181h                  |
| PCL 02h                               | PCL 82h                           | 102h                       | 182h                  |
| STATUS 03h                            | STATUS 83h                        | 103h                       | 183h                  |
| FSR 04h                               | FSR 84h                           | 104h                       | 184h                  |
| GPIO 05h                              | TRISIO 85h                        | 105h                       | 185h                  |
| 06h                                   | 86h                               | 106h                       | 186h                  |
| 07h                                   | 87h                               | 107h                       | 187h                  |
| 08h                                   | 88h                               | 108h                       | 188h                  |
| 09h                                   | 89h                               | 109h                       | 189h                  |
| PCLATH 0Ah                            | PCLATH 8Ah                        | 10Ah                       | 18Ah                  |
| INTCON 0Bh                            | INTCON 8Bh                        | 10Bh                       | 18Bh                  |
| PIR1 0Ch                              | PIE1 8Ch                          | 10Ch                       | 18Ch                  |
| 0Dh                                   | 8Dh                               | 10Dh                       | 18Dh                  |
| TMR1L 0Eh                             | PCON 8Eh                          | 10Eh                       | 18Eh                  |
| TMR1H 0Fh                             | OSCCON 8Fh                        | 10Fh                       | 18Fh                  |
| T1CON 10h                             | OSCTUNE 90h                       | CRCON 110h                 | 190h                  |
| 11h                                   | 91h                               | CRDAT0 <sup>(2)</sup> 111h | 191h                  |
| 12h                                   | 92h                               | CRDAT1 <sup>(2)</sup> 112h | 192h                  |
| 13h                                   | 93h                               | CRDAT2 <sup>(2)</sup> 113h | 193h                  |
| 14h                                   | LVDCON 94h                        | CRDAT3 <sup>(2)</sup> 114h | 194h                  |
| 15h                                   | WPUDA 95h                         | 115h                       | 195h                  |
| 16h                                   | IOCA 96h                          | 116h                       | 196h                  |
| 17h                                   | WDA 97h                           | 117h                       | 197h                  |
| WDTCON 18h                            | 98h                               | 118h                       | 198h                  |
| CMCON0 19h                            | VRCON 99h                         | 119h                       | 199h                  |
| CMCON1 1Ah                            | EEDAT 9Ah                         | 11Ah                       | 19Ah                  |
| 1Bh                                   | EEADR 9Bh                         | 11Bh                       | 19Bh                  |
| 1Ch                                   | EECON1 9Ch                        | 11Ch                       | 19Ch                  |
| 1Dh                                   | EECON2 <sup>(1)</sup> 9Dh         | 11Dh                       | 19Dh                  |
| 1Eh                                   | 9Eh                               | 11Eh                       | 19Eh                  |
| 1Fh                                   | 9Fh                               | 11Fh                       | 19Fh                  |
| 20h                                   | A0h                               | 120h                       | 1A0h                  |
| 3Fh                                   |                                   |                            |                       |
| General Purpose Register 64 Bytes 40h | EFh                               | 16Fh                       | 1EFh                  |
|                                       | Accesses 70h-7Fh F0h              | Accesses 70h-7Fh 170h      | Accesses Bank 0 1F0h  |
| 7Fh                                   | FFh                               | 17Fh                       | 1FFh                  |

Bank 0                                      Bank 1                                      Bank 2                                      Bank 3

Unimplemented data memory locations, read as '0'.

**Note 1:** Not a physical register.

**2:** CRDAT<3:0> registers are KEELOQ<sup>®</sup> hardware peripheral related registers and require the execution of the "KEELOQ<sup>®</sup> Encoder License Agreement" regarding implementation of the module and access to related registers. The "KEELOQ<sup>®</sup> Encoder License Agreement" may be accessed through the Microchip web site located at [www.microchip.com/KEELOQ](http://www.microchip.com/KEELOQ) or by contacting your local Microchip Sales Representative.

# PIC12F635/PIC16F636/639

**FIGURE 2-4: PIC16F636/639 SPECIAL FUNCTION REGISTERS**

| File Address                      |     | File Address                      |     | File Address          |      | File Address    |      |
|-----------------------------------|-----|-----------------------------------|-----|-----------------------|------|-----------------|------|
| Indirect addr. <sup>(1)</sup>     | 00h | Indirect addr. <sup>(1)</sup>     | 80h | Accesses              | 100h | Accesses        | 180h |
| TMR0                              | 01h | OPTION_REG                        | 81h | 00h-0Bh               | 101h | 80h-8Bh         | 181h |
| PCL                               | 02h | PCL                               | 82h |                       | 102h |                 | 182h |
| STATUS                            | 03h | STATUS                            | 83h |                       | 103h |                 | 183h |
| FSR                               | 04h | FSR                               | 84h |                       | 104h |                 | 184h |
| PORTA                             | 05h | TRISA                             | 85h |                       | 105h |                 | 185h |
|                                   | 06h |                                   | 86h |                       | 106h |                 | 186h |
| PORTC                             | 07h | TRISC                             | 87h |                       | 107h |                 | 187h |
|                                   | 08h |                                   | 88h |                       | 108h |                 | 188h |
|                                   | 09h |                                   | 89h |                       | 109h |                 | 189h |
| PCLATH                            | 0Ah | PCLATH                            | 8Ah |                       | 10Ah |                 | 18Ah |
| INTCON                            | 0Bh | INTCON                            | 8Bh |                       | 10Bh |                 | 18Bh |
| PIR1                              | 0Ch | PIE1                              | 8Ch |                       | 10Ch |                 | 18Ch |
|                                   | 0Dh |                                   | 8Dh |                       | 10Dh |                 | 18Dh |
| TMR1L                             | 0Eh | PCON                              | 8Eh |                       | 10Eh |                 | 18Eh |
| TMR1H                             | 0Fh | OSCCON                            | 8Fh |                       | 10Fh |                 | 18Fh |
| T1CON                             | 10h | OSCTUNE                           | 90h | CRCON                 | 110h |                 | 190h |
|                                   | 11h |                                   | 91h | CRDAT0 <sup>(2)</sup> | 111h |                 | 191h |
|                                   | 12h |                                   | 92h | CRDAT1 <sup>(2)</sup> | 112h |                 | 192h |
|                                   | 13h |                                   | 93h | CRDAT2 <sup>(2)</sup> | 113h |                 | 193h |
|                                   | 14h | LVDCON                            | 94h | CRDAT3 <sup>(2)</sup> | 114h |                 | 194h |
|                                   | 15h | WPUDA                             | 95h |                       | 115h |                 | 195h |
|                                   | 16h | IOCA                              | 96h |                       | 116h |                 | 196h |
|                                   | 17h | WDA                               | 97h |                       | 117h |                 | 197h |
|                                   | 18h |                                   | 98h |                       | 118h |                 | 198h |
| WDTCON                            | 18h | VRCON                             | 99h |                       | 119h |                 | 199h |
| CMCON0                            | 19h | EEDAT                             | 9Ah |                       | 11Ah |                 | 19Ah |
| CMCON1                            | 1Ah | EEADR                             | 9Bh |                       | 11Bh |                 | 19Bh |
|                                   | 1Bh | EECON1                            | 9Ch |                       | 11Ch |                 | 19Ch |
|                                   | 1Ch | EECON2 <sup>(1)</sup>             | 9Dh |                       | 11Dh |                 | 19Dh |
|                                   | 1Dh |                                   | 9Eh |                       | 11Eh |                 | 19Eh |
|                                   | 1Eh |                                   | 9Fh |                       | 11Fh |                 | 19Fh |
|                                   | 1Fh |                                   |     |                       |      |                 |      |
| General Purpose Register 96 Bytes | 20h | General Purpose Register 32 Bytes | A0h |                       | 120h |                 | 1A0h |
|                                   |     |                                   | BFh |                       |      |                 |      |
|                                   |     |                                   | C0h |                       |      |                 |      |
|                                   |     |                                   | EFh |                       | 16Fh |                 | 1EFh |
|                                   |     | Accesses 70h-7Fh                  | F0h | Accesses 70h-7Fh      | 170h | Accesses Bank 0 | 1F0h |
|                                   | 7Fh |                                   | FFh |                       | 17Fh |                 | 1FFh |
| Bank 0                            |     | Bank 1                            |     | Bank 2                |      | Bank 3          |      |

Unimplemented data memory locations, read as '0'.

**Note 1:** Not a physical register.

**2:** CRDAT<3:0> registers are KEELOQ hardware peripheral related registers and require the execution of the "KEELOQ® Encoder License Agreement" regarding implementation of the module and access to related registers. The "KEELOQ® Encoder License Agreement" may be accessed through the Microchip web site located at [www.microchip.com/KEELOQ](http://www.microchip.com/KEELOQ) or by contacting your local Microchip Sales Representative.

# PIC12F635/PIC16F636/639

**TABLE 2-1: PIC12F635 SPECIAL FUNCTION REGISTERS SUMMARY BANK 0**

| Addr   | Name   | Bit 7  | Bit 6  | Bit 5   | Bit 4  | Bit 3           | Bit 2               | Bit 1  | Bit 0               | Value on POR/BOR/WUR | Page    |
|--------|--------|--|--------|---------|--|-----------------|---------------------|--------|---------------------|----------------------|---------|
| Bank 0 |        |  |        |         |  |                 |                     |        |                     |                      |         |
| 00h    | INDF   | Addressing this location uses contents of FSR to address data memory (not a physical register) |        |         |  |                 |                     |        |                     | xxxx xxxx            | 32,137  |
| 01h    | TMR0   | Timer0 Module Register   |        |         |  |                 |                     |        |                     | xxxx xxxx            | 61,137  |
| 02h    | PCL    | Program Counter's (PC) Least Significant Byte  |        |         |  |                 |                     |        |                     | 0000 0000            | 32,137  |
| 03h    | STATUS | IRP  | RP1    | RP0     | $\overline{TO}$                                  | $\overline{PD}$ | Z                   | DC     | C                   | 0001 1xxx            | 26,137  |
| 04h    | FSR    | Indirect Data Memory Address Pointer   |        |         |  |                 |                     |        |                     | xxxx xxxx            | 32,137  |
| 05h    | GPIO   | —  | —      | GP5     | GP4  | GP3             | GP2                 | GP1    | GP0                 | --xx xx00            | 47,137  |
| 06h    | —      | Unimplemented  |        |         |  |                 |                     |        |                     | —                    | —       |
| 07h    | —      | Unimplemented  |        |         |  |                 |                     |        |                     | —                    | —       |
| 08h    | —      | Unimplemented  |        |         |  |                 |                     |        |                     | —                    | —       |
| 09h    | —      | Unimplemented  |        |         |  |                 |                     |        |                     | —                    | —       |
| 0Ah    | PCLATH | —  | —      | —       | Write Buffer for upper 5 bits of Program Counter |                 |                     |        | ---                 | 0000                 | 32,137  |
| 0Bh    | INTCON | GIE  | PEIE   | TOIE    | INTE   | RAIE            | TOIF                | INTF   | RAIF <sup>(2)</sup> | 0000 000x            | 28,137  |
| 0Ch    | PIR1   | EEIF   | LVDIF  | CRIF    | —  | C1IF            | OSFIF               | —      | TMR1IF              | 000- 00-0            | 30,137  |
| 0Dh    | —      | Unimplemented  |        |         |  |                 |                     |        |                     | —                    | —       |
| 0Eh    | TMR1L  | Holding Register for the Least Significant Byte of the 16-bit TMR1                             |        |         |  |                 |                     |        |                     | xxxx xxxx            | 64,137  |
| 0Fh    | TMR1H  | Holding Register for the Most Significant Byte of the 16-bit TMR1                              |        |         |  |                 |                     |        |                     | xxxx xxxx            | 64,137  |
| 10h    | T1CON  | T1GINV   | TMR1GE | T1CKPS1 | T1CKPS0  | T1OSCEN         | $\overline{T1SYNC}$ | TMR1CS | TMR1ON              | 0000 0000            | 68,137  |
| 11h    | —      | Unimplemented  |        |         |  |                 |                     |        |                     | —                    | —       |
| 12h    | —      | Unimplemented  |        |         |  |                 |                     |        |                     | —                    | —       |
| 13h    | —      | Unimplemented  |        |         |  |                 |                     |        |                     | —                    | —       |
| 14h    | —      | Unimplemented  |        |         |  |                 |                     |        |                     | —                    | —       |
| 15h    | —      | Unimplemented  |        |         |  |                 |                     |        |                     | —                    | —       |
| 16h    | —      | Unimplemented  |        |         |  |                 |                     |        |                     | —                    | —       |
| 17h    | —      | Unimplemented  |        |         |  |                 |                     |        |                     | —                    | —       |
| 18h    | WDTCN  | —  | —      | —       | WDTPS3   | WDTPS2          | WDTPS1              | WDTPS0 | SWDTEN              | ---0 1000            | 144,137 |
| 19h    | CMCON0 | —  | COUT   | —       | CINV   | CIS             | CM2                 | CM1    | CM0                 | -0-0 0000            | 79,137  |
| 1Ah    | CMCON1 | —  | —      | —       | —  | —               | —                   | T1GSS  | CMSYNC              | ---- --10            | 82,137  |
| 1Bh    | —      | Unimplemented  |        |         |  |                 |                     |        |                     | —                    | —       |
| 1Ch    | —      | Unimplemented  |        |         |  |                 |                     |        |                     | —                    | —       |
| 1Dh    | —      | Unimplemented  |        |         |  |                 |                     |        |                     | —                    | —       |
| 1Eh    | —      | Unimplemented  |        |         |  |                 |                     |        |                     | —                    | —       |
| 1Fh    | —      | Unimplemented  |        |         |  |                 |                     |        |                     | —                    | —       |

**Legend:** — = Unimplemented locations read as '0', u = unchanged, x = unknown, q = value depends on condition, shaded = unimplemented

- Note**
- 1: Other (non Power-up) Resets include  $\overline{MCLR}$  Reset and Watchdog Timer Reset during normal operation.
  - 2:  $\overline{MCLR}$  and WDT Reset do not affect the previous value data latch. The RAIF bit will be cleared upon Reset but will set again if the mismatch exists.

# PIC12F635/PIC16F636/639

**TABLE 2-2: PIC12F635 SPECIAL FUNCTION REGISTERS SUMMARY BANK 1**

| Addr   | Name                 | Bit 7  | Bit 6  | Bit 5   | Bit 4  | Bit 3            | Bit 2   | Bit 1            | Bit 0               | Value on POR/BOR/WUR | Page      |
|--------|----------------------|--|--------|---------|--|------------------|---------|------------------|---------------------|----------------------|-----------|
| Bank 1 |                      |  |        |         |  |                  |         |                  |                     |                      |           |
| 80h    | INDF                 | Addressing this location uses contents of FSR to address data memory (not a physical register) |        |         |  |                  |         |                  |                     | xxxx xxxx            | 32,137    |
| 81h    | OPTION_REG           | RAPU   | INTEDG | T0CS    | T0SE   | PSA              | PS2     | PS1              | PS0                 | 1111 1111            | 63,137    |
| 82h    | PCL                  | Program Counter's (PC) Least Significant Byte  |        |         |  |                  |         |                  |                     | 0000 0000            | 32,137    |
| 83h    | STATUS               | IRP  | RP1    | RP0     | $\overline{TO}$                                  | $\overline{PD}$  | Z       | DC               | C                   | 0001 1xxx            | 26,137    |
| 84h    | FSR                  | Indirect Data Memory Address Pointer   |        |         |  |                  |         |                  |                     | xxxx xxxx            | 32,137    |
| 85h    | TRISIO               | —  | —      | TRISIO5 | TRISIO4  | TRISIO3          | TRISIO2 | TRISIO1          | TRISIO0             | --11 1111            | --11 1111 |
| 86h    | —                    | Unimplemented  |        |         |  |                  |         |                  |                     | —                    | —         |
| 87h    | —                    | Unimplemented  |        |         |  |                  |         |                  |                     | —                    | —         |
| 88h    | —                    | Unimplemented  |        |         |  |                  |         |                  |                     | —                    | —         |
| 89h    | —                    | Unimplemented  |        |         |  |                  |         |                  |                     | —                    | —         |
| 8Ah    | PCLATH               | —  | —      | —       | Write Buffer for upper 5 bits of Program Counter |                  |         |                  |                     | ---0 0000            | 32,137    |
| 8Bh    | INTCON               | GIE  | PEIE   | T0IE    | INTE   | RAIE             | T0IF    | INTF             | RAIF <sup>(3)</sup> | 0000 000x            | 28,137    |
| 8Ch    | PIE1                 | EEIE   | LVDIE  | CRIE    | —  | C1IE             | OSFIE   | —                | TMR1IE              | 000- 00-0            | 29,137    |
| 8Dh    | —                    | Unimplemented  |        |         |  |                  |         |                  |                     | —                    | —         |
| 8Eh    | PCON                 | —  | —      | ULPWUE  | SBORN  | $\overline{WUR}$ | —       | $\overline{POR}$ | $\overline{BOR}$    | --01 q-qqq           | 31,137    |
| 8Fh    | OSCCON               | —  | IRCF2  | IRCF1   | IRCF0  | OSTS             | HTS     | LTS              | SCS                 | -110 q000            | 36,137    |
| 90h    | OSCTUNE              | —  | —      | —       | TUN4   | TUN3             | TUN2    | TUN1             | TUN0                | ---0 0000            | 40,137    |
| 91h    | —                    | Unimplemented  |        |         |  |                  |         |                  |                     | —                    | —         |
| 92h    | —                    | Unimplemented  |        |         |  |                  |         |                  |                     | —                    | —         |
| 93h    | —                    | Unimplemented  |        |         |  |                  |         |                  |                     | —                    | —         |
| 94h    | LVDCON               | —  | —      | IRVST   | LVDEN  | —                | LVDL2   | LVDL1            | LVDL0               | --00 -000            | --00 -000 |
| 95h    | WPUDA <sup>(2)</sup> | —  | —      | WPUDA5  | WPUDA4   | —                | WPUDA2  | WPUDA1           | WPUDA0              | --11 -111            | --11 -111 |
| 96h    | IOCA                 | —  | —      | IOCA5   | IOCA4  | IOCA3            | IOCA2   | IOCA1            | IOCA0               | --00 0000            | --00 0000 |
| 97h    | WDA <sup>(2)</sup>   | —  | —      | WDA5    | WDA4   | —                | WDA2    | WDA1             | WDA0                | --11 -111            | --11 -111 |
| 9Bh    | —                    | Unimplemented  |        |         |  |                  |         |                  |                     | —                    | —         |
| 99h    | VRCON                | VREN   | —      | VRR     | —  | VR3              | VR2     | VR1              | VR0                 | 0-0- 0000            | 0-0- 0000 |
| 9Ah    | EEDAT                | EEDAT7   | EEDAT6 | EEDAT5  | EEDAT4   | EEDAT3           | EEDAT2  | EEDAT1           | EEDAT0              | 0000 0000            | 0000 0000 |
| 9Bh    | EEADR                | EEADR7   | EEADR6 | EEADR5  | EEADR4   | EEADR3           | EEADR2  | EEADR1           | EEADR0              | 0000 0000            | 0000 0000 |
| 9Ch    | EECON1               | —  | —      | —       | —  | WRERR            | WREN    | WR               | RD                  | ---- x000            | ---- q000 |
| 9Dh    | EECON2               | EEPROM Control Register 2 (not a physical register)  |        |         |  |                  |         |                  |                     | ---- ----            | ---- ---- |
| 9Eh    | —                    | Unimplemented  |        |         |  |                  |         |                  |                     | —                    | —         |
| 9Fh    | —                    | Unimplemented  |        |         |  |                  |         |                  |                     | —                    | —         |

**Legend:** — = Unimplemented locations read as '0', u = unchanged, x = unknown, q = value depends on condition, shaded = unimplemented

- Note 1:** Other (non Power-up) Resets include  $\overline{MCLR}$  Reset and Watchdog Timer Reset during normal operation.  
**Note 2:** GP3 pull-up is enabled when pin is configured as  $\overline{MCLR}$  in the Configuration Word register.  
**Note 3:**  $\overline{MCLR}$  and WDT Reset do not affect the previous value data latch. The RAIF bit will be cleared upon Reset, but will set again if the mismatch exists.



# PIC12F635/PIC16F636/639

**TABLE 2-3: PIC16F636/639 SPECIAL FUNCTION REGISTERS SUMMARY BANK 0**

| Addr   | Name   | Bit 7  | Bit 6  | Bit 5   | Bit 4  | Bit 3           | Bit 2               | Bit 1  | Bit 0               | Value on POR/BOR/WUR | Page    |
|--------|--------|--|--------|---------|--|-----------------|---------------------|--------|---------------------|----------------------|---------|
| Bank 0 |        |  |        |         |  |                 |                     |        |                     |                      |         |
| 00h    | INDF   | Addressing this location uses contents of FSR to address data memory (not a physical register) |        |         |  |                 |                     |        |                     | xxxx xxxx            | 32,137  |
| 01h    | TMR0   | Timer0 Module Register   |        |         |  |                 |                     |        |                     | xxxx xxxx            | 61,137  |
| 02h    | PCL    | Program Counter's (PC) Least Significant Byte  |        |         |  |                 |                     |        |                     | 0000 0000            | 32,137  |
| 03h    | STATUS | IRP  | RP1    | RP0     | $\overline{TO}$                                  | $\overline{PD}$ | Z                   | DC     | C                   | 0001 1xxxx           | 26,137  |
| 04h    | FSR    | Indirect Data Memory Address Pointer   |        |         |  |                 |                     |        |                     | xxxx xxxx            | 32,137  |
| 05h    | PORTA  | —  | —      | RA5     | RA4  | RA3             | RA2                 | RA1    | RA0                 | --xx xx00            | 48,137  |
| 06h    | —      | Unimplemented  |        |         |  |                 |                     |        |                     | —                    | —       |
| 07h    | PORTC  | —  | —      | RC5     | RC4  | RC3             | RC2                 | RC1    | RC0                 | --xx xx00            | 57,137  |
| 08h    | —      | Unimplemented  |        |         |  |                 |                     |        |                     | —                    | —       |
| 09h    | —      | Unimplemented  |        |         |  |                 |                     |        |                     | —                    | —       |
| 0Ah    | PCLATH | —  | —      | —       | Write Buffer for upper 5 bits of Program Counter |                 |                     |        | ---                 | 0 0000               | 32,137  |
| 0Bh    | INTCON | GIE  | PEIE   | TOIE    | INTE   | RAIE            | TOIF                | INTF   | RAIF <sup>(2)</sup> | 0000 000x            | 28,137  |
| 0Ch    | PIR1   | EEIF   | LVDIF  | CRIF    | C2IF   | C1IF            | OSFIF               | —      | TMR1IF              | 0000 00-0            | 30,137  |
| 0Dh    | —      | Unimplemented  |        |         |  |                 |                     |        |                     | —                    | —       |
| 0Eh    | TMR1L  | Holding Register for the Least Significant Byte of the 16-bit TMR1                             |        |         |  |                 |                     |        |                     | xxxx xxxx            | 64,137  |
| 0Fh    | TMR1H  | Holding Register for the Most Significant Byte of the 16-bit TMR1                              |        |         |  |                 |                     |        |                     | xxxx xxxx            | 64,137  |
| 10h    | T1CON  | T1GINV   | TMR1GE | T1CKPS1 | T1CKPS0  | T1OSCEN         | $\overline{T1SYNC}$ | TMR1CS | TMR1ON              | 0000 0000            | 68,137  |
| 11h    | —      | Unimplemented  |        |         |  |                 |                     |        |                     | —                    | —       |
| 12h    | —      | Unimplemented  |        |         |  |                 |                     |        |                     | —                    | —       |
| 13h    | —      | Unimplemented  |        |         |  |                 |                     |        |                     | —                    | —       |
| 14h    | —      | Unimplemented  |        |         |  |                 |                     |        |                     | —                    | —       |
| 15h    | —      | Unimplemented  |        |         |  |                 |                     |        |                     | —                    | —       |
| 16h    | —      | Unimplemented  |        |         |  |                 |                     |        |                     | —                    | —       |
| 17h    | —      | Unimplemented  |        |         |  |                 |                     |        |                     | —                    | —       |
| 18h    | WDTCON | —  | —      | —       | WDTPS3   | WDTPS2          | WDTPS1              | WDTPS0 | SWDTEN              | ---0 1000            | 144,137 |
| 19h    | CMCON0 | C2OUT  | C1OUT  | C2INV   | C1INV  | CIS             | CM2                 | CM1    | CM0                 | 0000 0000            | 79,137  |
| 1Ah    | CMCON1 | —  | —      | —       | —  | —               | —                   | T1GSS  | C2SYNC              | ---- --10            | 82,137  |
| 1Bh    | —      | Unimplemented  |        |         |  |                 |                     |        |                     | —                    | —       |
| 1Ch    | —      | Unimplemented  |        |         |  |                 |                     |        |                     | —                    | —       |
| 1Dh    | —      | Unimplemented  |        |         |  |                 |                     |        |                     | —                    | —       |
| 1Eh    | —      | Unimplemented  |        |         |  |                 |                     |        |                     | —                    | —       |
| 1Fh    | —      | Unimplemented  |        |         |  |                 |                     |        |                     | —                    | —       |

**Legend:** — = Unimplemented locations read as '0', u = unchanged, x = unknown, q = value depends on condition, shaded = unimplemented

- Note 1:** Other (non Power-up) Resets include  $\overline{MCLR}$  Reset and Watchdog Timer Reset during normal operation.  
**Note 2:**  $\overline{MCLR}$  and WDT Reset do not affect the previous value data latch. The RAIF bit will be cleared upon Reset but will set again if the mismatch exists.

# PIC12F635/PIC16F636/639

**TABLE 2-4: PIC16F636/639 SPECIAL FUNCTION REGISTERS SUMMARY BANK 1**

| Addr   | Name                 | Bit 7  | Bit 6  | Bit 5  | Bit 4  | Bit 3            | Bit 2  | Bit 1            | Bit 0               | Value on POR/BOR/WUR | Page      |
|--------|----------------------|--|--------|--------|--|------------------|--------|------------------|---------------------|----------------------|-----------|
| Bank 1 |                      |  |        |        |  |                  |        |                  |                     |                      |           |
| 80h    | INDF                 | Addressing this location uses contents of FSR to address data memory (not a physical register) |        |        |  |                  |        |                  |                     | xxxx xxxx            | 32,137    |
| 81h    | OPTION_REG           | RAPU   | INTEDG | T0CS   | T0SE   | PSA              | PS2    | PS1              | PS0                 | 1111 1111            | 63,137    |
| 82h    | PCL                  | Program Counter's (PC) Least Significant Byte  |        |        |  |                  |        |                  |                     | 0000 0000            | 32,137    |
| 83h    | STATUS               | IRP  | RP1    | RP0    | $\overline{TO}$                                  | $\overline{PD}$  | Z      | DC               | C                   | 0001 1xxx            | 26,137    |
| 84h    | FSR                  | Indirect Data Memory Address Pointer   |        |        |  |                  |        |                  |                     | xxxx xxxx            | 32,137    |
| 85h    | TRISA                | —  | —      | TRISA5 | TRISA4   | TRISA3           | TRISA2 | TRISA1           | TRISA0              | --11 1111            | --11 1111 |
| 86h    | —                    | Unimplemented  |        |        |  |                  |        |                  |                     | —                    | —         |
| 87h    | TRISC                | —  | —      | TRISC5 | TRISC4   | TRISC3           | TRISC2 | TRISC1           | TRISC0              | --11 1111            | --11 1111 |
| 88h    | —                    | Unimplemented  |        |        |  |                  |        |                  |                     | —                    | —         |
| 89h    | —                    | Unimplemented  |        |        |  |                  |        |                  |                     | —                    | —         |
| 8Ah    | PCLATH               | —  | —      | —      | Write Buffer for upper 5 bits of Program Counter |                  |        |                  | ---0 0000           | 32,137               |           |
| 8Bh    | INTCON               | GIE  | PEIE   | T0IE   | INTE   | RAIE             | T0IF   | INTF             | RAIF <sup>(3)</sup> | 0000 000x            | 28,137    |
| 8Ch    | PIE1                 | EEIE   | LVDIE  | CRIE   | C2IE   | C1IE             | OSFIE  | —                | TMR1IE              | 0000 00-0            | 29,137    |
| 8Dh    | —                    | Unimplemented  |        |        |  |                  |        |                  |                     | —                    | —         |
| 8Eh    | PCON                 | —  | —      | ULPWUE | SBOREN   | $\overline{WUR}$ | —      | $\overline{POR}$ | $\overline{BOR}$    | --01 q-qq            | --0u u-uu |
| 8Fh    | OSCCON               | —  | IRCF2  | IRCF1  | IRCF0  | OSTS             | HTS    | LTS              | SCS                 | -110 q000            | -110 x000 |
| 90h    | OSCTUNE              | —  | —      | —      | TUN4   | TUN3             | TUN2   | TUN1             | TUN0                | ---0 0000            | ---u uuuu |
| 91h    | —                    | Unimplemented  |        |        |  |                  |        |                  |                     | —                    | —         |
| 92h    | —                    | Unimplemented  |        |        |  |                  |        |                  |                     | —                    | —         |
| 93h    | —                    | Unimplemented  |        |        |  |                  |        |                  |                     | —                    | —         |
| 94h    | LVDCON               | —  | —      | IRVST  | LVDEN  | —                | LVDL2  | LVDL1            | LVDL0               | --00 -000            | --00 -000 |
| 95h    | WPUDA <sup>(2)</sup> | —  | —      | WPUDA5 | WPUDA4   | —                | WPUDA2 | WPUDA1           | WPUDA0              | --11 -111            | --11 -111 |
| 96h    | IOCA                 | —  | —      | IOCA5  | IOCA4  | IOCA3            | IOCA2  | IOCA1            | IOCA0               | --00 0000            | --00 0000 |
| 97h    | WDA <sup>(2)</sup>   | —  | —      | WDA5   | WDA4   | —                | WDA2   | WDA1             | WDA0                | --11 -111            | --11 -111 |
| 9Bh    | —                    | Unimplemented  |        |        |  |                  |        |                  |                     | —                    | —         |
| 99h    | VRCON                | VREN   | —      | VRR    | —  | VR3              | VR2    | VR1              | VR0                 | 0-0- 0000            | 0-0- 0000 |
| 9Ah    | EEDAT                | EEDAT7   | EEDAT6 | EEDAT5 | EEDAT4   | EEDAT3           | EEDAT2 | EEDAT1           | EEDAT0              | 0000 0000            | 0000 0000 |
| 9Bh    | EEADR                | EEADR7   | EEADR6 | EEADR5 | EEADR4   | EEADR3           | EEADR2 | EEADR1           | EEADR0              | 0000 0000            | 0000 0000 |
| 9Ch    | EECON1               | —  | —      | —      | —  | WRERR            | WREN   | WR               | RD                  | ---- x000            | ---- q000 |
| 9Dh    | EECON2               | EEPROM Control Register 2 (not a physical register)  |        |        |  |                  |        |                  |                     | ---- ----            | ---- ---- |
| 9Eh    | —                    | Unimplemented  |        |        |  |                  |        |                  |                     | —                    | —         |
| 9Fh    | —                    | Unimplemented  |        |        |  |                  |        |                  |                     | —                    | —         |

**Legend:** — = Unimplemented locations read as '0', u = unchanged, x = unknown, q = value depends on condition, shaded = unimplemented

- Note 1:** Other (non Power-up) Resets include  $\overline{MCLR}$  Reset and Watchdog Timer Reset during normal operation.  
**Note 2:** RA3 pull-up is enabled when pin is configured as  $\overline{MCLR}$  in the Configuration Word register.  
**Note 3:**  $\overline{MCLR}$  and WDT Reset do not affect the previous value data latch. The RAIF bit will be cleared upon Reset but will set again if the mismatch exists.

# PIC12F635/PIC16F636/639

**TABLE 2-5: PIC12F635/PIC16F636/639 SPECIAL FUNCTION REGISTERS SUMMARY BANK 2**

| Addr   | Name                  | Bit 7                         | Bit 6                        | Bit 5 | Bit 4 | Bit 3 | Bit 2 | Bit 1  | Bit 0  | Value on POR/BOR/WUR | Page      |
|--------|-----------------------|-------------------------------|------------------------------|-------|-------|-------|-------|--------|--------|----------------------|-----------|
| Bank 2 |                       |                               |                              |       |       |       |       |        |        |                      |           |
| 10Ch   | —                     | Unimplemented                 |                              |       |       |       |       |        |        | —                    | —         |
| 10Dh   | —                     | Unimplemented                 |                              |       |       |       |       |        |        | —                    | —         |
| 10Eh   | —                     | Unimplemented                 |                              |       |       |       |       |        |        | —                    | —         |
| 10Fh   | —                     | Unimplemented                 |                              |       |       |       |       |        |        | —                    | —         |
| 110h   | CRCON                 | GO/ $\overline{\text{DONE}}$  | ENC/ $\overline{\text{DEC}}$ | —     | —     | —     | —     | CRREG1 | CRREG0 | 00-- --00            | 00-- --00 |
| 111h   | CRDAT0 <sup>(2)</sup> | Cryptographic Data Register 0 |                              |       |       |       |       |        |        | 0000 0000            | 0000 0000 |
| 112h   | CRDAT1 <sup>(2)</sup> | Cryptographic Data Register 1 |                              |       |       |       |       |        |        | 0000 0000            | 0000 0000 |
| 113h   | CRDAT2 <sup>(2)</sup> | Cryptographic Data Register 2 |                              |       |       |       |       |        |        | 0000 0000            | 0000 0000 |
| 114h   | CRDAT3 <sup>(2)</sup> | Cryptographic Data Register 3 |                              |       |       |       |       |        |        | 0000 0000            | 0000 0000 |
| 115h   | —                     | Unimplemented                 |                              |       |       |       |       |        |        | —                    | —         |
| 116h   | —                     | Unimplemented                 |                              |       |       |       |       |        |        | —                    | —         |

**Legend:** — = Unimplemented locations read as '0', u = unchanged, x = unknown,  $\alpha$  = value depends on condition, shaded = unimplemented

- Note 1:** Other (non Power-up) Resets include  $\overline{\text{MCLR}}$  Reset and Watchdog Timer Reset during normal operation.
- Note 2:** CRDAT<3:0> registers are KEELOQ<sup>®</sup> hardware peripheral related registers and require the execution of the "KEELOQ Encoder License Agreement" regarding implementation of the module and access to related registers. The "KEELOQ Encoder License Agreement" may be accessed through the Microchip web site located at [www.microchip.com/KEELOQ](http://www.microchip.com/KEELOQ) or by contacting your local Microchip Sales Representative.

# PIC12F635/PIC16F636/639

## 2.2.2.1 STATUS Register

The STATUS register, shown in Register 2-1, contains:

- the arithmetic status of the ALU
- the Reset status
- the bank select bits for data memory (GPR and SFR)

The STATUS register can be the destination for any instruction, like any other register. If the STATUS register is the destination for an instruction that affects the Z, DC or C bits, then the write to these three bits is disabled. These bits are set or cleared according to the device logic. Furthermore, the  $\overline{TO}$  and  $\overline{PD}$  bits are not writable. Therefore, the result of an instruction with the STATUS register as destination may be different than intended.

For example, `CLRF STATUS`, will clear the upper three bits and set the Z bit. This leaves the STATUS register as '000u u1uu' (where u = unchanged).

It is recommended, therefore, that only `BCF`, `BSF`, `SWAPF` and `MOVWF` instructions are used to alter the STATUS register, because these instructions do not affect any Status bits. For other instructions not affecting any Status bits, see **Section 13.0 "Instruction Set Summary"**

**Note 1:** The  $\overline{C}$  and  $\overline{DC}$  bits operate as a Borrow and Digit Borrow out bit, respectively, in subtraction.

### REGISTER 2-1: STATUS: STATUS REGISTER

| R/W-0 | R/W-0 | R/W-0 | R-1             | R-1             | R/W-x | R/W-x             | R/W-x            |
|-------|-------|-------|-----------------|-----------------|-------|-------------------|------------------|
| IRP   | RP1   | RP0   | $\overline{TO}$ | $\overline{PD}$ | Z     | DC <sup>(1)</sup> | C <sup>(1)</sup> |
| bit 7 |       |       |                 |                 |       |                   | bit 0            |

#### Legend:

|                   |                  |                                    |
|-------------------|------------------|------------------------------------|
| R = Readable bit  | W = Writable bit | U = Unimplemented bit, read as '0' |
| -n = Value at POR | '1' = Bit is set | '0' = Bit is cleared               |
|                   |                  | x = Bit is unknown                 |

- bit 7      **IRP:** Register Bank Select bit (used for indirect addressing)  
 1 = Bank 2, 3 (100h-1FFh)  
 0 = Bank 0, 1 (00h-FFh)
- bit 6-5      **RP<1:0>:** Register Bank Select bits (used for direct addressing)  
 00 = Bank 0 (00h-7Fh)  
 01 = Bank 1 (80h-FFh)  
 10 = Bank 2 (100h-17Fh)  
 11 = Bank 3 (180h-1FFh)
- bit 4       **$\overline{TO}$ :** Time-out bit  
 1 = After power-up, `CLRWDT` instruction or `SLEEP` instruction  
 0 = A WDT time-out occurred
- bit 3       **$\overline{PD}$ :** Power-down bit  
 1 = After power-up or by the `CLRWDT` instruction  
 0 = By execution of the `SLEEP` instruction
- bit 2      **Z:** Zero bit  
 1 = The result of an arithmetic or logic operation is zero  
 0 = The result of an arithmetic or logic operation is not zero
- bit 1      **DC:** Digit Carry/Borrow bit (`ADDWF`, `ADDLW`, `SUBLW`, `SUBWF` instructions)<sup>(1)</sup>  
 1 = A carry-out from the 4th low-order bit of the result occurred  
 0 = No carry-out from the 4th low-order bit of the result
- bit 0      **C:** Carry/Borrow bit<sup>(1)</sup> (`ADDWF`, `ADDLW`, `SUBLW`, `SUBWF` instructions)<sup>(1)</sup>  
 1 = A carry-out from the Most Significant bit of the result occurred  
 0 = No carry-out from the Most Significant bit of the result occurred

**Note 1:** For Borrow, the polarity is reversed. A subtraction is executed by adding the two's complement of the second operand. For rotate (`RRF`, `RLF`) instructions, this bit is loaded with either the high-order or low-order bit of the source register.

# PIC12F635/PIC16F636/639

## 2.2.2.2 OPTION Register

The OPTION register is a readable and writable register which contains various control bits to configure:

- TMR0/WDT prescaler
- External RA2/INT interrupt
- TMR0
- Weak pull-up/pull-downs on PORTA

**Note:** To achieve a 1:1 prescaler assignment for Timer0, assign the prescaler to the WDT by setting the PSA bit of the OPTION register to '1'. See **Section 5.1.3 "Software Programmable Prescaler"**.

### REGISTER 2-2: OPTION\_REG: OPTION REGISTER

|              |        |       |       |       |       |       |       |
|--------------|--------|-------|-------|-------|-------|-------|-------|
| <u>R/W-1</u> | R/W-1  | R/W-1 | R/W-1 | R/W-1 | R/W-1 | R/W-1 | R/W-1 |
| <u>RAPU</u>  | INTEDG | T0CS  | T0SE  | PSA   | PS2   | PS1   | PS0   |
| bit 7        |        |       |       |       |       |       | bit 0 |

#### Legend:

|                   |                  |  |
|-------------------|------------------|--|
| R = Readable bit  | W = Writable bit | U = Unimplemented bit, read as '0'           |
| -n = Value at POR | '1' = Bit is set | '0' = Bit is cleared      x = Bit is unknown |

- bit 7      **RAPU**: PORTA Pull-up Enable bit  
 1 = PORTA pull-ups are disabled  
 0 = PORTA pull-ups are enabled by individual PORT latch values
- bit 6      **INTEDG**: Interrupt Edge Select bit  
 1 = Interrupt on rising edge of RA2/INT pin  
 0 = Interrupt on falling edge of RA2/INT pin
- bit 5      **T0CS**: Timer0 Clock Source Select bit  
 1 = Transition on RA2/T0CKI pin  
 0 = Internal instruction cycle clock (Fosc/4)
- bit 4      **T0SE**: Timer0 Source Edge Select bit  
 1 = Increment on high-to-low transition on RA2/T0CKI pin  
 0 = Increment on low-to-high transition on RA2/T0CKI pin
- bit 3      **PSA**: Prescaler Assignment bit  
 1 = Prescaler is assigned to the WDT  
 0 = Prescaler is assigned to the Timer0 module
- bit 2-0    **PS<2:0>**: Prescaler Rate Select bits

| Bit Value | Timer0 Rate | WDT Rate |
|-----------|-------------|----------|
| 000       | 1 : 2       | 1 : 1    |
| 001       | 1 : 4       | 1 : 2    |
| 010       | 1 : 8       | 1 : 4    |
| 011       | 1 : 16      | 1 : 8    |
| 100       | 1 : 32      | 1 : 16   |
| 101       | 1 : 64      | 1 : 32   |
| 110       | 1 : 128     | 1 : 64   |
| 111       | 1 : 256     | 1 : 128  |

# PIC12F635/PIC16F636/639

## 2.2.2.3 INTCON Register

The INTCON register is a readable and writable register which contains the various enable and flag bits for TMR0 register overflow, PORTA change and external RA2/INT pin interrupts.

**Note:** Interrupt flag bits are set when an interrupt condition occurs, regardless of the state of its corresponding enable bit or the Global Interrupt Enable bit, GIE of the INTCON register. User software should ensure the appropriate interrupt flag bits are clear prior to enabling an interrupt.

### REGISTER 2-3: INTCON: INTERRUPT CONTROL REGISTER

|       |       |       |       |                       |                     |       |       |
|-------|-------|-------|-------|-----------------------|---------------------|-------|-------|
| R/W-0 | R/W-0 | R/W-0 | R/W-0 | R/W-0                 | R/W-0               | R/W-0 | R/W-x |
| GIE   | PEIE  | TOIE  | INTE  | RAIE <sup>(1,3)</sup> | T0IF <sup>(2)</sup> | INTF  | RAIF  |
| bit 7 |       |       |       |                       |                     |       | bit 0 |

**Legend:**

|                   |                  |                                    |                    |
|-------------------|------------------|------------------------------------|--------------------|
| R = Readable bit  | W = Writable bit | U = Unimplemented bit, read as '0' |                    |
| -n = Value at POR | '1' = Bit is set | '0' = Bit is cleared               | x = Bit is unknown |

- bit 7      **GIE:** Global Interrupt Enable bit  
           1 = Enables all unmasked interrupts  
           0 = Disables all interrupts
- bit 6      **PEIE:** Peripheral Interrupt Enable bit  
           1 = Enables all unmasked peripheral interrupts  
           0 = Disables all peripheral interrupts
- bit 5      **TOIE:** Timer0 Overflow Interrupt Enable bit  
           1 = Enables the Timer0 interrupt  
           0 = Disables the Timer0 interrupt
- bit 4      **INTE:** RA2/INT External Interrupt Enable bit  
           1 = Enables the RA2/INT external interrupt  
           0 = Disables the RA2/INT external interrupt
- bit 3      **RAIE:** PORTA Change Interrupt Enable bit<sup>(1,3)</sup>  
           1 = Enables the PORTA change interrupt  
           0 = Disables the PORTA change interrupt
- bit 2      **T0IF:** Timer0 Overflow Interrupt Flag bit<sup>(2)</sup>  
           1 = TMR0 register has overflowed (must be cleared in software)  
           0 = TMR0 register did not overflow
- bit 1      **INTF:** RA2/INT External Interrupt Flag bit  
           1 = The RA2/INT external interrupt occurred (must be cleared in software)  
           0 = The RA2/INT external interrupt did not occur
- bit 0      **RAIF:** PORTA Change Interrupt Flag bit  
           1 = When at least one of the PORTA general purpose I/O pins changed state (must be cleared in software)  
           0 = None of the PORTA general purpose I/O pins have changed state

- Note 1:** IOCA register must also be enabled.
- 2:** T0IF bit is set when Timer0 rolls over. Timer0 is unchanged on Reset and should be initialized before clearing T0IF bit.
- 3:** Includes ULPWU interrupt.

# PIC12F635/PIC16F636/639

## 2.2.2.4 PIE1 Register

The PIE1 register contains the interrupt enable bits, as shown in Register 2-4.

**Note:** Bit PEIE of the INTCON register must be set to enable any peripheral interrupt.

### REGISTER 2-4: PIE1: PERIPHERAL INTERRUPT ENABLE REGISTER 1

|       |       |       |                     |       |       |       |        |
|-------|-------|-------|---------------------|-------|-------|-------|--------|
| R/W-0 | R/W-0 | R/W-0 | R/W-0               | R/W-0 | R/W-0 | U-0   | R/W-0  |
| EEIE  | LVDIE | CRIE  | C2IE <sup>(1)</sup> | C1IE  | OSFIE | —     | TMR1IE |
| bit 7 |       |       |                     |       |       | bit 0 |        |

**Legend:**

R = Readable bit                      W = Writable bit                      U = Unimplemented bit, read as '0'  
 -n = Value at POR                      '1' = Bit is set                      '0' = Bit is cleared                      x = Bit is unknown

- bit 7            **EEIE:** EE Write Complete Interrupt Enable bit  
                   1 = Enables the EE write complete interrupt  
                   0 = Disables the EE write complete interrupt
- bit 6            **LVDIE:** Low-Voltage Detect Interrupt Enable bit  
                   1 = Enables the LVD interrupt  
                   0 = Disables the LVD interrupt
- bit 5            **CRIE:** Cryptographic Interrupt Enable bit  
                   1 = Enables the cryptographic interrupt  
                   0 = Disables the cryptographic interrupt
- bit 4            **C2IE:** Comparator 2 Interrupt Enable bit<sup>(1)</sup>  
                   1 = Enables the Comparator 2 interrupt  
                   0 = Disables the Comparator 2 interrupt
- bit 3            **C1IE:** Comparator 1 Interrupt Enable bit  
                   1 = Enables the Comparator 1 interrupt  
                   0 = Disables the Comparator 1 interrupt
- bit 2            **OSFIE:** Oscillator Fail Interrupt Enable bit  
                   1 = Enables the oscillator fail interrupt  
                   0 = Disables the oscillator fail interrupt
- bit 1            **Unimplemented:** Read as '0'
- bit 0            **TMR1IE:** Timer1 Overflow Interrupt Enable bit  
                   1 = Enables the Timer1 overflow interrupt  
                   0 = Disables the Timer1 overflow interrupt

**Note 1:** PIC16F636/639 only.

# PIC12F635/PIC16F636/639

## 2.2.2.5 PIR1 Register

The PIR1 register contains the interrupt flag bits, as shown in Register 2-5.

**Note:** Interrupt flag bits are set when an interrupt condition occurs, regardless of the state of its corresponding enable bit or the Global Interrupt Enable bit, GIE of the INTCON register. User software should ensure the appropriate interrupt flag bits are clear prior to enabling an interrupt.

### REGISTER 2-5: PIR1: PERIPHERAL INTERRUPT REQUEST REGISTER 1

|       |       |       |                     |       |       |     |        |
|-------|-------|-------|---------------------|-------|-------|-----|--------|
| R/W-0 | R/W-0 | R/W-0 | R/W-0               | R/W-0 | R/W-0 | U-0 | R/W-0  |
| EEIF  | LVDIF | CRIF  | C2IF <sup>(1)</sup> | C1IF  | OSFIF | —   | TMR1IF |
| bit 7 |       |       |                     |       |       |     | bit 0  |

#### Legend:

R = Readable bit

W = Writable bit

U = Unimplemented bit, read as '0'

-n = Value at POR

'1' = Bit is set

'0' = Bit is cleared

x = Bit is unknown

- bit 7      **EEIF:** EE Write Complete Interrupt Flag bit  
1 = The write operation completed (must be cleared in software)  
0 = The write operation has not completed or has not been started
- bit 6      **LVDIF:** Low-Voltage Detect Interrupt Flag bit  
1 = The supply voltage has crossed selected LVD voltage (must be cleared in software)  
0 = The supply voltage has not crossed selected LVD voltage
- bit 5      **CRIF:** Cryptographic Interrupt Flag bit  
1 = The Cryptographic module has completed an operation (must be cleared in software)  
0 = The Cryptographic module has not completed an operation or is Idle
- bit 4      **C2IF:** Comparator 2 Interrupt Flag bit<sup>(1)</sup>  
1 = Comparator output (C2OUT bit) has changed (must be cleared in software)  
0 = Comparator output (C2OUT bit) has not changed
- bit 3      **C1IF:** Comparator 1 Interrupt Flag bit  
1 = Comparator output (C1OUT bit) has changed (must be cleared in software)  
0 = Comparator output (C1OUT bit) has not changed
- bit 2      **OSFIF:** Oscillator Fail Interrupt Flag bit  
1 = System oscillator failed, clock input has changed INTOSC (must be cleared in software)  
0 = System clock operating
- bit 1      **Unimplemented:** Read as '0'
- bit 0      **TMR1IF:** Timer1 Overflow Interrupt Flag bit  
1 = Timer1 rolled over (must be cleared in software)  
0 = Timer1 has not rolled over

**Note 1:** PIC16F636/639 only.



# PIC12F635/PIC16F636/639

## 2.2.2.6 PCON Register

The Power Control (PCON) register (see Table 12-3) contains flag bits to differentiate between a:

- Power-on Reset ( $\overline{\text{POR}}$ )
- Wake-up Reset ( $\overline{\text{WUR}}$ )
- Brown-out Reset ( $\overline{\text{BOR}}$ )
- Watchdog Timer Reset (WDT)
- External  $\overline{\text{MCLR}}$  Reset

The PCON register also controls the Ultra Low-Power Wake-up and software enable of the  $\overline{\text{BOR}}$ .

The PCON register bits are shown in Register 2-6.

### REGISTER 2-6: PCON: POWER CONTROL REGISTER

| U-0   | U-0 | R/W-0  | R/W-1                 | R/W-x                   | U-0 | R/W-0                   | R/W-x                   |       |
|-------|-----|--------|-----------------------|-------------------------|-----|-------------------------|-------------------------|-------|
| —     | —   | ULPWUE | SBOREN <sup>(1)</sup> | $\overline{\text{WUR}}$ | —   | $\overline{\text{POR}}$ | $\overline{\text{BOR}}$ |       |
| bit 7 |     |        |                       |                         |     |                         |                         | bit 0 |

#### Legend:

R = Readable bit

W = Writable bit

U = Unimplemented bit, read as '0'

-n = Value at POR

'1' = Bit is set

'0' = Bit is cleared

x = Bit is unknown

bit 7-6 **Unimplemented:** Read as '0'

bit 5 **ULPWUE:** Ultra Low-Power Wake-up Enable bit

1 = Ultra low-power wake-up enabled

0 = Ultra low-power wake-up disabled

bit 4 **SBOREN:** Software BOR Enable bit<sup>(1)</sup>

1 = BOR enabled

0 = BOR disabled

bit 3  **$\overline{\text{WUR}}$ :** Wake-up Reset Status bit

1 = No Wake-up Reset occurred

0 = A Wake-up Reset occurred (must be set in software after a Power-on Reset occurs)

bit 2 **Unimplemented:** Read as '0'

bit 1  **$\overline{\text{POR}}$ :** Power-on Reset Status bit

1 = No Power-on Reset occurred

0 = A Power-on Reset occurred (must be set in software after a Power-on Reset occurs)

bit 0  **$\overline{\text{BOR}}$ :** Brown-out Reset Status bit

1 = No Brown-out Reset occurred

0 = A Brown-out Reset occurred (must be set in software after a Brown-out Reset occurs)

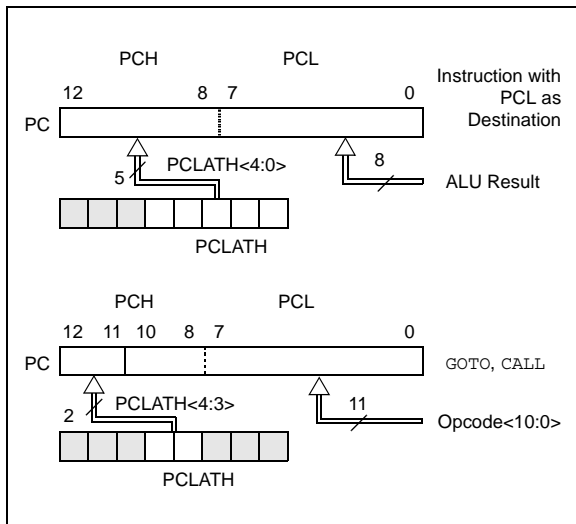
**Note 1:** BOREN<1:0> = 01 in the Configuration Word register for this bit to control the  $\overline{\text{BOR}}$ .

# PIC12F635/PIC16F636/639

## 2.3 PCL and PCLATH

The Program Counter (PC) is 13 bits wide. The low byte comes from the PCL register, which is a readable and writable register. The high byte (PC<12:8>) is not directly readable or writable and comes from PCLATH. On any Reset, the PC is cleared. Figure 2-5 shows the two situations for the loading of the PC. The upper example in Figure 2-5 shows how the PC is loaded on a write to PCL (PCLATH<4:0> → PCH). The lower example in Figure 2-5 shows how the PC is loaded during a CALL or GOTO instruction (PCLATH<4:3> → PCH).

**FIGURE 2-5: LOADING OF PC IN DIFFERENT SITUATIONS**



### 2.3.1 MODIFYING PCL

Executing any instruction with the PCL register as the destination simultaneously causes the Program Counter PC<12:8> bits (PCH) to be replaced by the contents of the PCLATH register. This allows the entire contents of the program counter to be changed by writing the desired upper 5 bits to the PCLATH register. When the lower 8 bits are written to the PCL register, all 13 bits of the program counter will change to the values contained in the PCLATH register and those being written to the PCL register.

A computed GOTO is accomplished by adding an offset to the program counter (ADDWF PCL). Care should be exercised when jumping into a look-up table or program branch table (computed GOTO) by modifying the PCL register. Assuming that PCLATH is set to the table start address, if the table length is greater than 255 instructions or if the lower 8 bits of the memory address rolls over from 0xFF to 0x00 in the middle of the table, then PCLATH must be incremented for each address rollover that occurs between the table beginning and the target location within the table.

For more information refer to Application Note AN556, "Implementing a Table Read" (DS00556).

### 2.3.2 STACK

The PIC12F635/PIC16F636/639 family has an 8-level x 13-bit wide hardware stack (see Figure 2-1). The stack space is not part of either program or data space and the Stack Pointer is not readable or writable. The PC is PUSHed onto the stack when a CALL instruction is executed or an interrupt causes a branch. The stack is POPed in the event of a RETURN, RETLW or a RETFIE instruction execution. PCLATH is not affected by a PUSH or POP operation.

The stack operates as a circular buffer. This means that after the stack has been PUSHed eight times, the ninth push overwrites the value that was stored from the first push. The tenth push overwrites the second push (and so on).

**Note 1:** There are no Status bits to indicate stack overflow or stack underflow conditions.

**2:** There are no instructions/mnemonics called PUSH or POP. These are actions that occur from the execution of the CALL, RETURN, RETLW and RETFIE instructions or the vectoring to an interrupt address.

## 2.4 Indirect Addressing, INDF and FSR Registers

The INDF register is not a physical register. Addressing the INDF register will cause indirect addressing.

Indirect addressing is possible by using the INDF register. Any instruction using the INDF register actually accesses data pointed to by the File Select Register (FSR). Reading INDF itself indirectly will produce 00h. Writing to the INDF register indirectly results in a no operation (although Status bits may be affected). An effective 9-bit address is obtained by concatenating the 8-bit FSR and the IRP bit of the STATUS register, as shown in Figure 2-6.

A simple program to clear RAM location 20h-2Fh using indirect addressing is shown in Example 2-1.

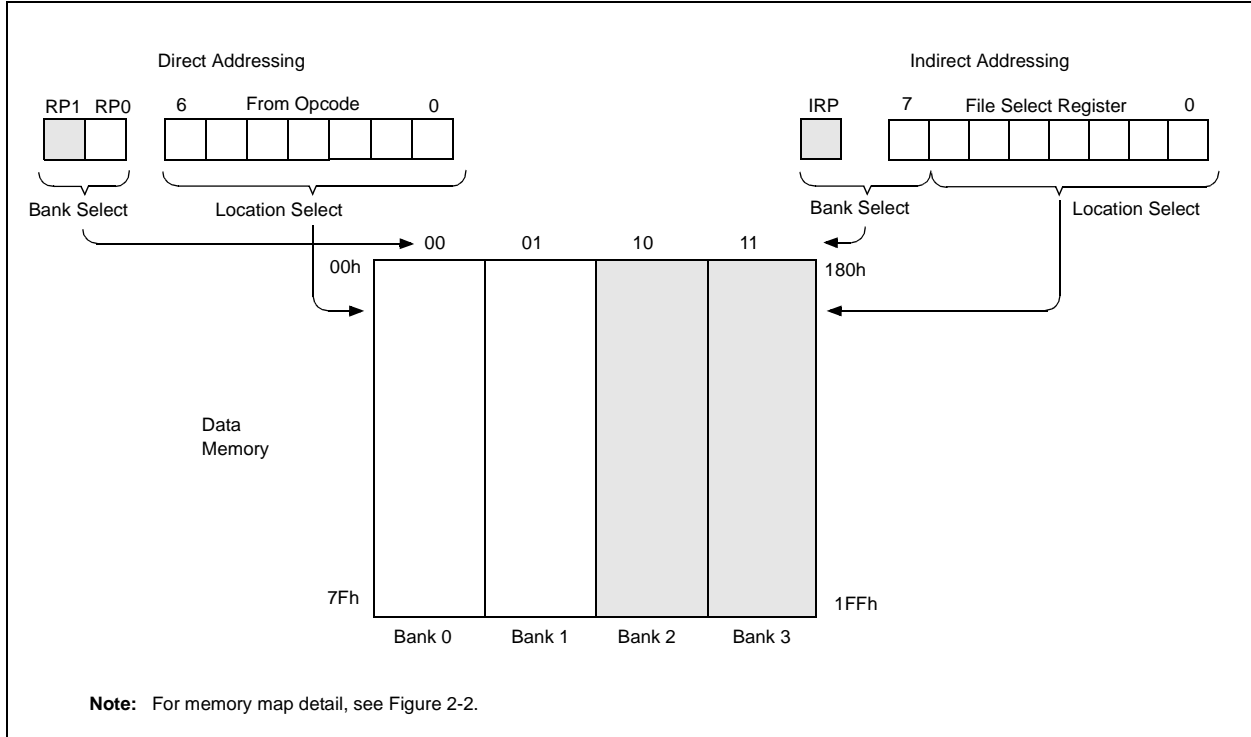
### EXAMPLE 2-1: INDIRECT ADDRESSING

```

MOV LW 0x20 ;initialize pointer
MOV WF FSR ;to RAM
NEXT CLR F INDF ;clear INDF register
INCF FSR ;INC POINTER
BTFSS FSR,4 ;all done?
GOTO NEXT ;no clear next
CONTINUE ;yes continue
    
```

# PIC12F635/PIC16F636/639

FIGURE 2-6: DIRECT/INDIRECT ADDRESSING PIC12F635/PIC16F636/639



# PIC12F635/PIC16F636/639

---

NOTES:

## 3.0 OSCILLATOR MODULE (WITH FAIL-SAFE CLOCK MONITOR)

### 3.1 Overview

The Oscillator module has a wide variety of clock sources and selection features that allow it to be used in a wide range of applications while maximizing performance and minimizing power consumption. Figure 3-1 illustrates a block diagram of the Oscillator module.

Clock sources can be configured from external oscillators, quartz crystal resonators, ceramic resonators and Resistor-Capacitor (RC) circuits. In addition, the system clock source can be configured from one of two internal oscillators, with a choice of speeds selectable via software. Additional clock features include:

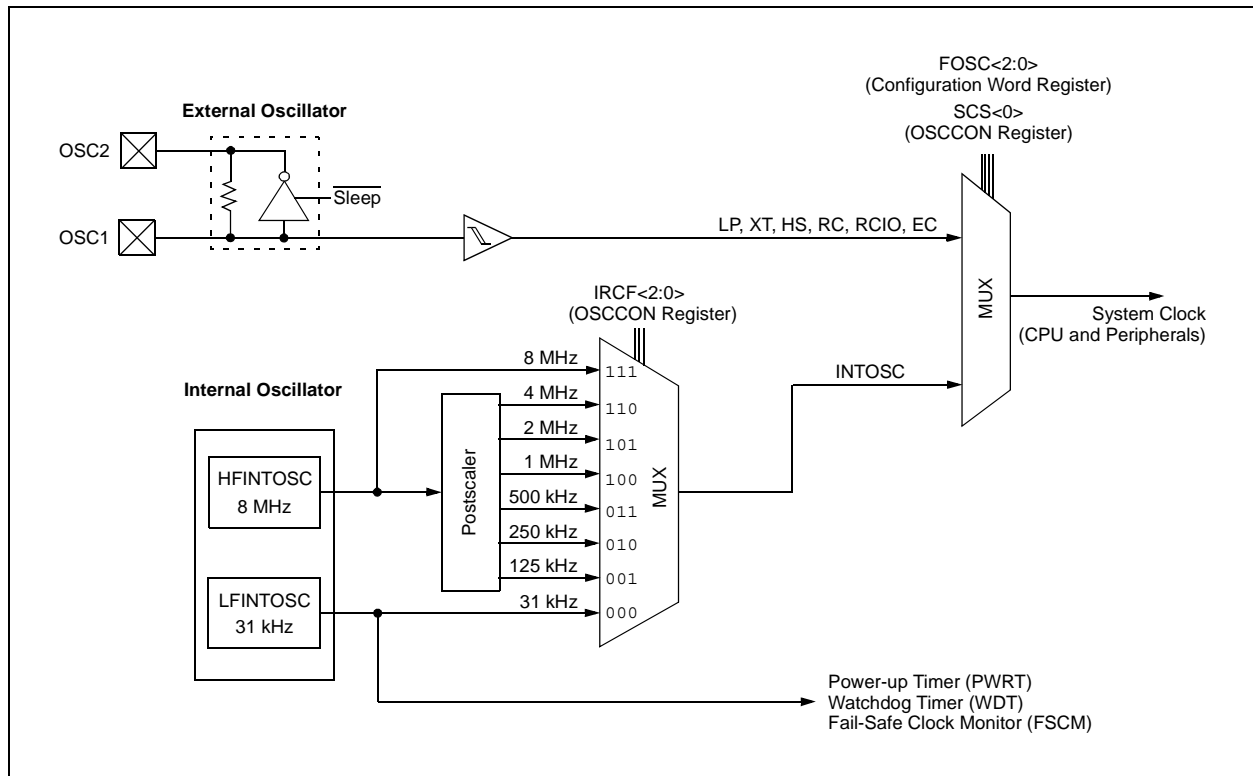
- Selectable system clock source between external or internal via software.
- Two-Speed Start-up mode, which minimizes latency between external oscillator start-up and code execution.
- Fail-Safe Clock Monitor (FSCM) designed to detect a failure of the external clock source (LP, XT, HS, EC or RC modes) and switch automatically to the internal oscillator.

The Oscillator module can be configured in one of eight clock modes.

1. EC – External clock with I/O on OSC2/CLKOUT.
2. LP – 32 kHz Low-Power Crystal mode.
3. XT – Medium Gain Crystal or Ceramic Resonator Oscillator mode.
4. HS – High Gain Crystal or Ceramic Resonator mode.
5. RC – External Resistor-Capacitor (RC) with Fosc/4 output on OSC2/CLKOUT.
6. RCIO – External Resistor-Capacitor (RC) with I/O on OSC2/CLKOUT.
7. INTOSC – Internal oscillator with Fosc/4 output on OSC2 and I/O on OSC1/CLKIN.
8. INTOSCIO – Internal oscillator with I/O on OSC1/CLKIN and OSC2/CLKOUT.

Clock Source modes are configured by the FOSC<2:0> bits in the Configuration Word register (CONFIG). The internal clock can be generated from two internal oscillators. The HFINTOSC is a calibrated high-frequency oscillator. The LFINTOSC is an uncalibrated low-frequency oscillator.

**FIGURE 3-1: PIC® MCU CLOCK SOURCE BLOCK DIAGRAM**



# PIC12F635/PIC16F636/639

## 3.2 Oscillator Control

The Oscillator Control (OSCCON) register (Figure 3-1) controls the system clock and frequency selection options. The OSCCON register contains the following bits:

- Frequency selection bits (IRCF)
- Frequency Status bits (HTS, LTS)
- System clock control bits (OSTS, SCS)

**REGISTER 3-1: OSCCON: OSCILLATOR CONTROL REGISTER**

|       |       |       |       |                     |     |     |       |
|-------|-------|-------|-------|---------------------|-----|-----|-------|
| U-0   | R/W-1 | R/W-1 | R/W-0 | R-1                 | R-0 | R-0 | R/W-0 |
| —     | IRCF2 | IRCF1 | IRCF0 | OSTS <sup>(1)</sup> | HTS | LTS | SCS   |
| bit 7 |       |       |       |                     |     |     | bit 0 |

**Legend:**

R = Readable bit

W = Writable bit

U = Unimplemented bit, read as '0'

-n = Value at POR

'1' = Bit is set

'0' = Bit is cleared

x = Bit is unknown

bit 7 **Unimplemented:** Read as '0'

bit 6-4 **IRCF<2:0>:** Internal Oscillator Frequency Select bits

111 = 8 MHz

110 = 4 MHz (default)

101 = 2 MHz

100 = 1 MHz

011 = 500 kHz

010 = 250 kHz

001 = 125 kHz

000 = 31 kHz (LFINTOSC)

bit 3 **OSTS:** Oscillator Start-up Time-out Status bit<sup>(1)</sup>

1 = Device is running from the external clock defined by FOSC<2:0> of the Configuration Word

0 = Device is running from the internal oscillator (HFINTOSC or LFINTOSC)

bit 2 **HTS:** HFINTOSC Status bit (High Frequency – 8 MHz to 125 kHz)

1 = HFINTOSC is stable

0 = HFINTOSC is not stable

bit 1 **LTS:** LFINTOSC Stable bit (Low Frequency – 31 kHz)

1 = LFINTOSC is stable

0 = LFINTOSC is not stable

bit 0 **SCS:** System Clock Select bit

1 = Internal oscillator is used for system clock

0 = Clock source defined by FOSC<2:0> of the Configuration Word

**Note 1:** Bit resets to '0' with Two-Speed Start-up and LP, XT or HS selected as the Oscillator mode or Fail-Safe mode is enabled.

# PIC12F635/PIC16F636/639

## 3.3 Clock Source Modes

Clock Source modes can be classified as external or internal.

- External Clock modes rely on external circuitry for the clock source. Examples are: Oscillator modules (EC mode), quartz crystal resonators or ceramic resonators (LP, XT and HS modes) and Resistor-Capacitor (RC) mode circuits.
- Internal clock sources are contained internally within the Oscillator module. The Oscillator module has two internal oscillators: the 8 MHz High-Frequency Internal Oscillator (HFINTOSC) and the 31 kHz Low-Frequency Internal Oscillator (LFINTOSC).

The system clock can be selected between external or internal clock sources via the System Clock Select (SCS) bit of the OSCCON register. See **Section 3.6 “Clock Switching”** for additional information.

## 3.4 External Clock Modes

### 3.4.1 OSCILLATOR START-UP TIMER (OST)

If the Oscillator module is configured for LP, XT or HS modes, the Oscillator Start-up Timer (OST) counts 1024 oscillations from OSC1. This occurs following a Power-on Reset (POR) and when the Power-up Timer (PWRT) has expired (if configured), or a wake-up from Sleep. During this time, the program counter does not increment and program execution is suspended. The OST ensures that the oscillator circuit, using a quartz crystal resonator or ceramic resonator, has started and is providing a stable system clock to the Oscillator module. When switching between clock sources, a delay is required to allow the new clock to stabilize. These oscillator delays are shown in Table 3-1.

In order to minimize latency between external oscillator start-up and code execution, the Two-Speed Clock Start-up mode can be selected (see **Section 3.7 “Two-Speed Clock Start-up Mode”**).

**TABLE 3-1: OSCILLATOR DELAY EXAMPLES**

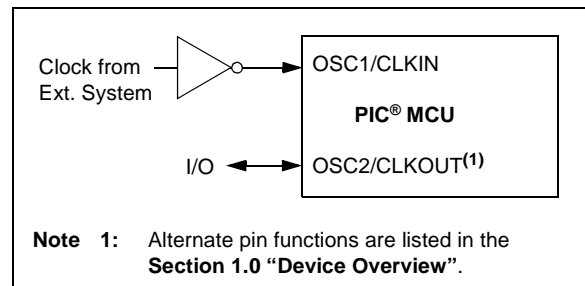
| Switch From       | Switch To            | Frequency                  | Oscillator Delay                 |
|-------------------|----------------------|----------------------------|----------------------------------|
| Sleep/POR         | LFINTOSC<br>HFINTOSC | 31 kHz<br>125 kHz to 8 MHz | Oscillator Warm-Up Delay (TWARM) |
| Sleep/POR         | EC, RC               | DC – 20 MHz                | 2 instruction cycles             |
| LFINTOSC (31 kHz) | EC, RC               | DC – 20 MHz                | 1 cycle of each                  |
| Sleep/POR         | LP, XT, HS           | 32 kHz to 20 MHz           | 1024 Clock Cycles (OST)          |
| LFINTOSC (31 kHz) | HFINTOSC             | 125 kHz to 8 MHz           | 1 $\mu$ s (approx.)              |

### 3.4.2 EC MODE

The External Clock (EC) mode allows an externally generated logic level as the system clock source. When operating in this mode, an external clock source is connected to the OSC1 input and the OSC2 is available for general purpose I/O. Figure 3-2 shows the pin connections for EC mode.

The Oscillator Start-up Timer (OST) is disabled when EC mode is selected. Therefore, there is no delay in operation after a Power-on Reset (POR) or wake-up from Sleep. Because the PIC<sup>®</sup> MCU design is fully static, stopping the external clock input will have the effect of halting the device while leaving all data intact. Upon restarting the external clock, the device will resume operation as if no time had elapsed.

**FIGURE 3-2: EXTERNAL CLOCK (EC) MODE OPERATION**



# PIC12F635/PIC16F636/639

## 3.4.3 LP, XT, HS MODES

The LP, XT and HS modes support the use of quartz crystal resonators or ceramic resonators connected to OSC1 and OSC2 (Figure 3-3). The mode selects a low, medium or high gain setting of the internal inverter-amplifier to support various resonator types and speed.

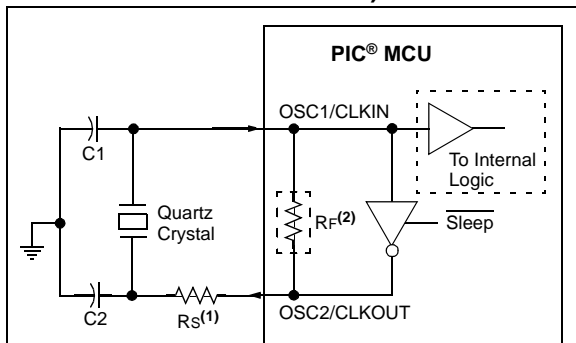
**LP** Oscillator mode selects the lowest gain setting of the internal inverter-amplifier. LP mode current consumption is the least of the three modes. This mode is designed to drive only 32.768 kHz tuning-fork type crystals (watch crystals).

**XT** Oscillator mode selects the intermediate gain setting of the internal inverter-amplifier. XT mode current consumption is the medium of the three modes. This mode is best suited to drive resonators with a medium drive level specification.

**HS** Oscillator mode selects the highest gain setting of the internal inverter-amplifier. HS mode current consumption is the highest of the three modes. This mode is best suited for resonators that require a high drive setting.

Figure 3-3 and Figure 3-4 show typical circuits for quartz crystal and ceramic resonators, respectively.

**FIGURE 3-3: QUARTZ CRYSTAL OPERATION (LP, XT OR HS MODE)**



- Note 1:** A series resistor ( $R_S$ ) may be required for quartz crystals with low drive level.
- 2:** The value of  $R_F$  varies with the Oscillator mode selected (typically between 2 M $\Omega$  to 10 M $\Omega$ ).

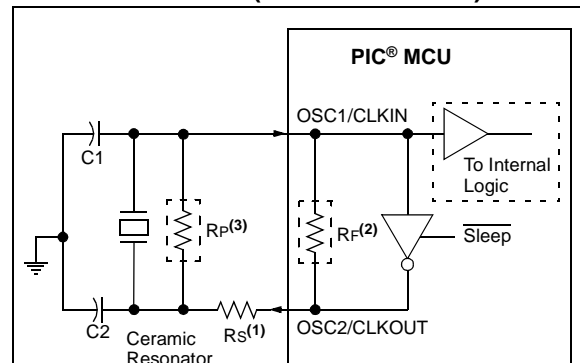
**Note 1:** Quartz crystal characteristics vary according to type, package and manufacturer. The user should consult the manufacturer data sheets for specifications and recommended application.

**2:** Always verify oscillator performance over the  $V_{DD}$  and temperature range that is expected for the application.

**3:** For oscillator design assistance, reference the following Microchip Applications Notes:

- AN826, "Crystal Oscillator Basics and Crystal Selection for rPIC<sup>®</sup> and PIC<sup>®</sup> Devices" (DS00826)
- AN849, "Basic PIC<sup>®</sup> Oscillator Design" (DS00849)
- AN943, "Practical PIC<sup>®</sup> Oscillator Analysis and Design" (DS00943)
- AN949, "Making Your Oscillator Work" (DS00949)

**FIGURE 3-4: CERAMIC RESONATOR OPERATION (XT OR HS MODE)**



- Note 1:** A series resistor ( $R_S$ ) may be required for ceramic resonators with low drive level.
- 2:** The value of  $R_F$  varies with the Oscillator mode selected (typically between 2 M $\Omega$  to 10 M $\Omega$ ).
- 3:** An additional parallel feedback resistor ( $R_P$ ) may be required for proper ceramic resonator operation.

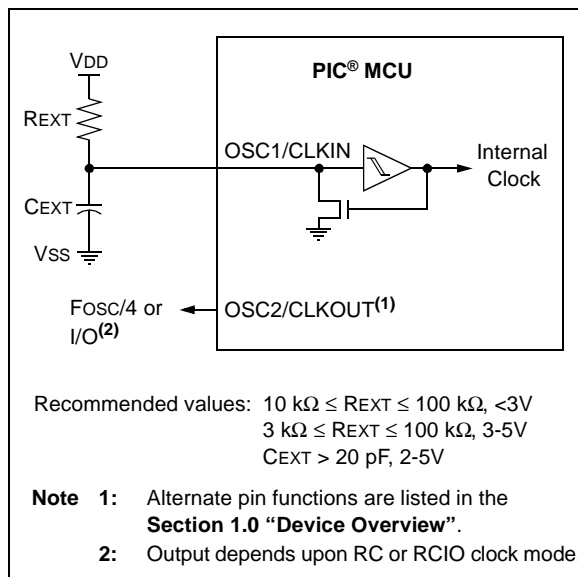


## 3.4.4 EXTERNAL RC MODES

The external Resistor-Capacitor (RC) modes support the use of an external RC circuit. This allows the designer maximum flexibility in frequency choice while keeping costs to a minimum when clock accuracy is not required. There are two modes: RC and RCIO.

In RC mode, the RC circuit connects to OSC1. OSC2/CLKOUT outputs the RC oscillator frequency divided by 4. This signal may be used to provide a clock for external circuitry, synchronization, calibration, test or other application requirements. Figure 3-5 shows the external RC mode connections.

**FIGURE 3-5: EXTERNAL RC MODES**



In RCIO mode, the RC circuit is connected to OSC1. OSC2 becomes an additional general purpose I/O pin.

The RC oscillator frequency is a function of the supply voltage, the resistor ( $R_{EXT}$ ) and capacitor ( $C_{EXT}$ ) values and the operating temperature. Other factors affecting the oscillator frequency are:

- threshold voltage variation
- component tolerances
- packaging variations in capacitance

The user also needs to take into account variation due to tolerance of external RC components used.

## 3.5 Internal Clock Modes

The Oscillator module has two independent, internal oscillators that can be configured or selected as the system clock source.

1. The **HFINTOSC** (High-Frequency Internal Oscillator) is factory calibrated and operates at 8 MHz. The frequency of the HFINTOSC can be user-adjusted via software using the OSCTUNE register (Register 3-2).
2. The **LFINTOSC** (Low-Frequency Internal Oscillator) is uncalibrated and operates at 31 kHz.

The system clock speed can be selected via software using the Internal Oscillator Frequency Select bits  $IRCF<2:0>$  of the OSCCON register.

The system clock can be selected between external or internal clock sources via the System Clock Selection (SCS) bit of the OSCCON register. See **Section 3.6 "Clock Switching"** for more information.

### 3.5.1 INTOSC AND INTOSCIO MODES

The INTOSC and INTOSCIO modes configure the internal oscillators as the system clock source when the device is programmed using the oscillator selection or the  $FOSC<2:0>$  bits in the Configuration Word register (CONFIG). See **Section 12.0 "Special Features of the CPU"** for more information.

In **INTOSC** mode, OSC1/CLKIN is available for general purpose I/O. OSC2/CLKOUT outputs the selected internal oscillator frequency divided by 4. The CLKOUT signal may be used to provide a clock for external circuitry, synchronization, calibration, test or other application requirements.

In **INTOSCIO** mode, OSC1/CLKIN and OSC2/CLKOUT are available for general purpose I/O.

### 3.5.2 HFINTOSC

The High-Frequency Internal Oscillator (HFINTOSC) is a factory calibrated 8 MHz internal clock source. The frequency of the HFINTOSC can be altered via software using the OSCTUNE register (Register 3-2).

The output of the HFINTOSC connects to a postscaler and multiplexer (see Figure 3-1). One of seven frequencies can be selected via software using the  $IRCF<2:0>$  bits of the OSCCON register. See **Section 3.5.4 "Frequency Select Bits (IRCF)"** for more information.

The HFINTOSC is enabled by selecting any frequency between 8 MHz and 125 kHz by setting the  $IRCF<2:0>$  bits of the OSCCON register  $\neq 000$ . Then, set the System Clock Source (SCS) bit of the OSCCON register to '1' or enable Two-Speed Start-up by setting the IESO bit in the Configuration Word register (CONFIG) to '1'.

The HF Internal Oscillator (HTS) bit of the OSCCON register indicates whether the HFINTOSC is stable or not.

# PIC12F635/PIC16F636/639

## 3.5.2.1 OSCTUNE Register

The HFINTOSC is factory calibrated but can be adjusted in software by writing to the OSCTUNE register (Register 3-2).

The default value of the OSCTUNE register is '0'. The value is a 5-bit two's complement number.

When the OSCTUNE register is modified, the HFINTOSC frequency will begin shifting to the new frequency. Code execution continues during this shift. There is no indication that the shift has occurred.

OSCTUNE does not affect the LFINTOSC frequency. Operation of features that depend on the LFINTOSC clock source frequency, such as the Power-up Timer (PWRT), Watchdog Timer (WDT), Fail-Safe Clock Monitor (FSCM) and peripherals, are *not* affected by the change in frequency.

### REGISTER 3-2: OSCTUNE: OSCILLATOR TUNING REGISTER

|       |     |     |       |       |       |       |       |
|-------|-----|-----|-------|-------|-------|-------|-------|
| U-0   | U-0 | U-0 | R/W-0 | R/W-0 | R/W-0 | R/W-0 | R/W-0 |
| —     | —   | —   | TUN4  | TUN3  | TUN2  | TUN1  | TUN0  |
| bit 7 |     |     |       |       |       |       | bit 0 |

**Legend:**

|                   |                  |  |
|-------------------|------------------|--|
| R = Readable bit  | W = Writable bit | U = Unimplemented bit, read as '0'           |
| -n = Value at POR | '1' = Bit is set | '0' = Bit is cleared      x = Bit is unknown |

bit 7-5      **Unimplemented:** Read as '0'

bit 4-0      **TUN<4:0>:** Frequency Tuning bits

01111 = Maximum frequency

01110 =

•

•

•

00001 =

00000 = Oscillator module is running at the calibrated frequency.

11111 =

•

•

•

10000 = Minimum frequency

## 3.5.3 LFINTOSC

The Low-Frequency Internal Oscillator (LFINTOSC) is an uncalibrated 31 kHz internal clock source.

The output of the LFINTOSC connects to a postscaler and multiplexer (see Figure 3-1). Select 31 kHz, via software, using the IRCF<2:0> bits of the OSCCON register. See **Section 3.5.4 “Frequency Select Bits (IRCF)”** for more information. The LFINTOSC is also the frequency for the Power-up Timer (PWRT), Watchdog Timer (WDT) and Fail-Safe Clock Monitor (FSCM).

The LFINTOSC is enabled by selecting 31 kHz (IRCF<2:0> bits of the OSCCON register = 000) as the system clock source (SCS bit of the OSCCON register = 1), or when any of the following are enabled:

- Two-Speed Start-up IESO bit of the Configuration Word register = 1 and IRCF<2:0> bits of the OSCCON register = 000
- Power-up Timer (PWRT)
- Watchdog Timer (WDT)
- Fail-Safe Clock Monitor (FSCM)

The LF Internal Oscillator (LTS) bit of the OSCCON register indicates whether the LFINTOSC is stable or not.

## 3.5.4 FREQUENCY SELECT BITS (IRCF)

The output of the 8 MHz HFINTOSC and 31 kHz LFINTOSC connects to a postscaler and multiplexer (see Figure 3-1). The Internal Oscillator Frequency Select bits IRCF<2:0> of the OSCCON register select the frequency output of the internal oscillators. One of eight frequencies can be selected via software:

- 8 MHz
- 4 MHz (Default after Reset)
- 2 MHz
- 1 MHz
- 500 kHz
- 250 kHz
- 125 kHz
- 31 kHz (LFINTOSC)

**Note:** Following any Reset, the IRCF<2:0> bits of the OSCCON register are set to '110' and the frequency selection is set to 4 MHz. The user can modify the IRCF bits to select a different frequency.

## 3.5.5 HF AND LF INTOSC CLOCK SWITCH TIMING

When switching between the LFINTOSC and the HFINTOSC, the new oscillator may already be shut down to save power (see Figure 3-6). If this is the case, there is a delay after the IRCF<2:0> bits of the OSCCON register are modified before the frequency selection takes place. The LTS and HTS bits of the OSCCON register will reflect the current active status of the LFINTOSC and HFINTOSC oscillators. The timing of a frequency selection is as follows:

1. IRCF<2:0> bits of the OSCCON register are modified.
2. If the new clock is shut down, a clock start-up delay is started.
3. Clock switch circuitry waits for a falling edge of the current clock.
4. CLKOUT is held low and the clock switch circuitry waits for a rising edge in the new clock.
5. CLKOUT is now connected with the new clock. LTS and HTS bits of the OSCCON register are updated as required.
6. Clock switch is complete.

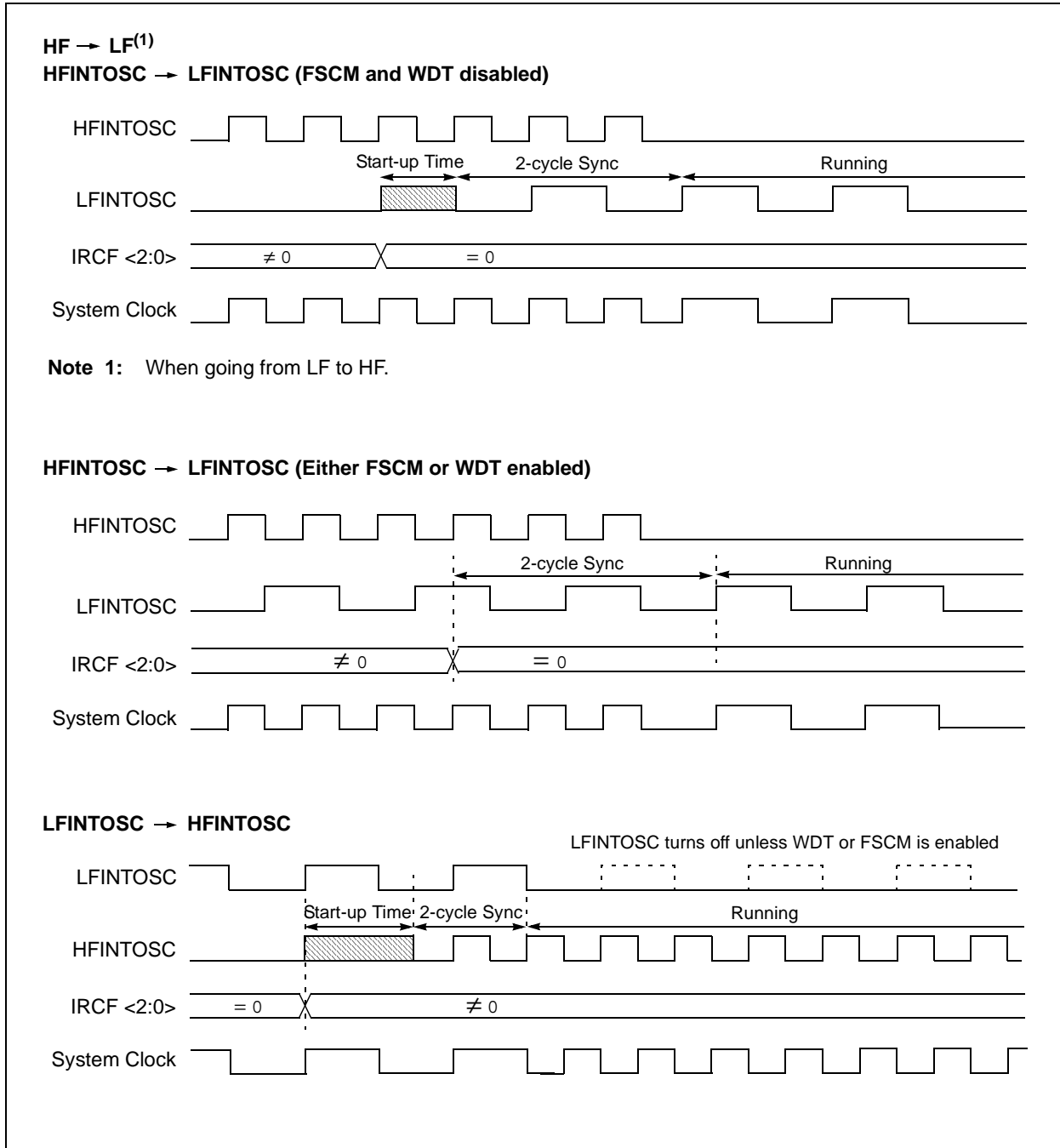
See Figure 3-1 for more details.

If the internal oscillator speed selected is between 8 MHz and 125 kHz, there is no start-up delay before the new frequency is selected. This is because the old and new frequencies are derived from the HFINTOSC via the postscaler and multiplexer.

Start-up delay specifications are located in the A/C Specifications (Oscillator Module) in **Section 15.0 “Electrical Specifications”**.

# PIC12F635/PIC16F636/639

**FIGURE 3-6: INTERNAL OSCILLATOR SWITCH TIMING**



## 3.6 Clock Switching

The system clock source can be switched between external and internal clock sources via software using the System Clock Select (SCS) bit of the OSCCON register.

### 3.6.1 SYSTEM CLOCK SELECT (SCS) BIT

The System Clock Select (SCS) bit of the OSCCON register selects the system clock source that is used for the CPU and peripherals.

- When the SCS bit of the OSCCON register = 0, the system clock source is determined by configuration of the FOSC<2:0> bits in the Configuration Word register (CONFIG).
- When the SCS bit of the OSCCON register = 1, the system clock source is chosen by the internal oscillator frequency selected by the IRCF<2:0> bits of the OSCCON register. After a Reset, the SCS bit of the OSCCON register is always cleared.

**Note:** Any automatic clock switch, which may occur from Two-Speed Start-up or Fail-Safe Clock Monitor, does not update the SCS bit of the OSCCON register. The user can monitor the OSTS bit of the OSCCON register to determine the current system clock source.

### 3.6.2 OSCILLATOR START-UP TIME-OUT STATUS (OSTS) BIT

The Oscillator Start-up Time-out Status (OSTS) bit of the OSCCON register indicates whether the system clock is running from the external clock source, as defined by the FOSC<2:0> bits in the Configuration Word register (CONFIG), or from the internal clock source. In particular, OSTS indicates that the Oscillator Start-up Timer (OST) has timed out for LP, XT or HS modes.

## 3.7 Two-Speed Clock Start-up Mode

Two-Speed Start-up mode provides additional power savings by minimizing the latency between external oscillator start-up and code execution. In applications that make heavy use of the Sleep mode, Two-Speed Start-up will remove the external oscillator start-up time from the time spent awake and can reduce the overall power consumption of the device.

This mode allows the application to wake-up from Sleep, perform a few instructions using the INTOSC as the clock source and go back to Sleep without waiting for the primary oscillator to become stable.

**Note:** Executing a SLEEP instruction will abort the oscillator start-up time and will cause the OSTS bit of the OSCCON register to remain clear.

When the Oscillator module is configured for LP, XT or HS modes, the Oscillator Start-up Timer (OST) is enabled (see **Section 3.4.1 “Oscillator Start-up Timer (OST)”**). The OST will suspend program execution until 1024 oscillations are counted. Two-Speed Start-up mode minimizes the delay in code execution by operating from the internal oscillator as the OST is counting. When the OST count reaches 1024 and the OSTS bit of the OSCCON register is set, program execution switches to the external oscillator.

### 3.7.1 TWO-SPEED START-UP MODE CONFIGURATION

Two-Speed Start-up mode is configured by the following settings:

- IESO (of the Configuration Word register) = 1; Internal/External Switchover bit (Two-Speed Start-up mode enabled).
- SCS (of the OSCCON register) = 0.
- FOSC<2:0> bits in the Configuration Word register (CONFIG) configured for LP, XT or HS mode.

Two-Speed Start-up mode is entered after:

- Power-on Reset (POR) and, if enabled, after Power-up Timer (PWRT) has expired, or
- Wake-up from Sleep.

If the external clock oscillator is configured to be anything other than LP, XT or HS mode, then Two-Speed Start-up is disabled. This is because the external clock oscillator does not require any stabilization time after POR or an exit from Sleep.

### 3.7.2 TWO-SPEED START-UP SEQUENCE

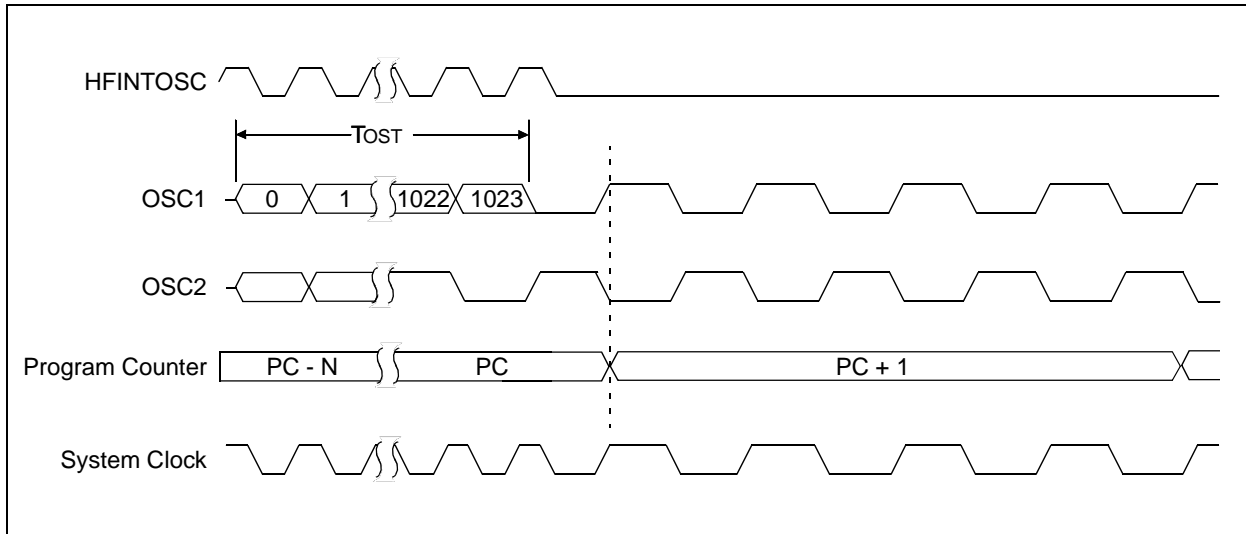
1. Wake-up from Power-on Reset or Sleep.
2. Instructions begin execution by the internal oscillator at the frequency set in the IRCF<2:0> bits of the OSCCON register.
3. OST enabled to count 1024 clock cycles.
4. OST timed out, wait for falling edge of the internal oscillator.
5. OSTS is set.
6. System clock held low until the next falling edge of new clock (LP, XT or HS mode).
7. System clock is switched to external clock source.

# PIC12F635/PIC16F636/639

## 3.7.3 CHECKING TWO-SPEED CLOCK STATUS

Checking the state of the OSTS bit of the OSCCON register will confirm if the microcontroller is running from the external clock source, as defined by the FOSC<2:0> bits in the Configuration Word register (CONFIG), or the internal oscillator.

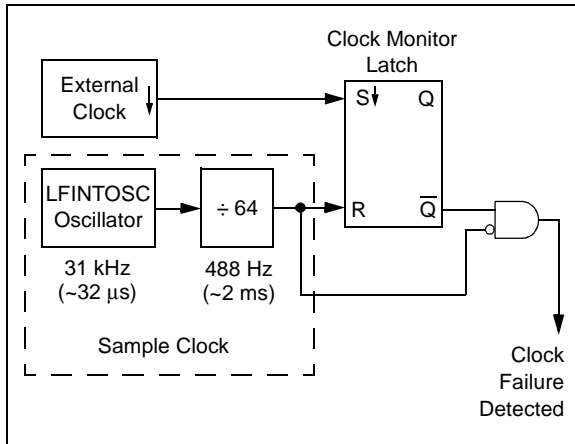
**FIGURE 3-7: TWO-SPEED START-UP**



## 3.8 Fail-Safe Clock Monitor

The Fail-Safe Clock Monitor (FSCM) allows the device to continue operating should the external oscillator fail. The FSCM can detect oscillator failure any time after the Oscillator Start-up Timer (OST) has expired. The FSCM is enabled by setting the FCMEN bit in the Configuration Word register (CONFIG). The FSCM is applicable to all external oscillator modes (LP, XT, HS, EC, RC and RCIO).

**FIGURE 3-8: FSCM BLOCK DIAGRAM**



### 3.8.1 FAIL-SAFE DETECTION

The FSCM module detects a failed oscillator by comparing the external oscillator to the FSCM sample clock. The sample clock is generated by dividing the LFINTOSC by 64. See Figure 3-8. Inside the fail detector block is a latch. The external clock sets the latch on each falling edge of the external clock. The sample clock clears the latch on each rising edge of the sample clock. A failure is detected when an entire half-cycle of the sample clock elapses before the primary clock goes low.

### 3.8.2 FAIL-SAFE OPERATION

When the external clock fails, the FSCM switches the device clock to an internal clock source and sets the bit flag OSFIF of the PIR1 register. Setting this flag will generate an interrupt if the OSFIE bit of the PIE1 register is also set. The device firmware can then take steps to mitigate the problems that may arise from a failed clock. The system clock will continue to be sourced from the internal clock source until the device firmware successfully restarts the external oscillator and switches back to external operation.

The internal clock source chosen by the FSCM is determined by the IRCF<2:0> bits of the OSCCON register. This allows the internal oscillator to be configured before a failure occurs.

### 3.8.3 FAIL-SAFE CONDITION CLEARING

The Fail-Safe condition is cleared after a Reset, executing a SLEEP instruction or toggling the SCS bit of the OSCCON register. When the SCS bit is toggled, the OST is restarted. While the OST is running, the device continues to operate from the INTOSC selected in OSCCON. When the OST times out, the Fail-Safe condition is cleared and the device will be operating from the external clock source. The Fail-Safe condition must be cleared before the OSFIF flag can be cleared.

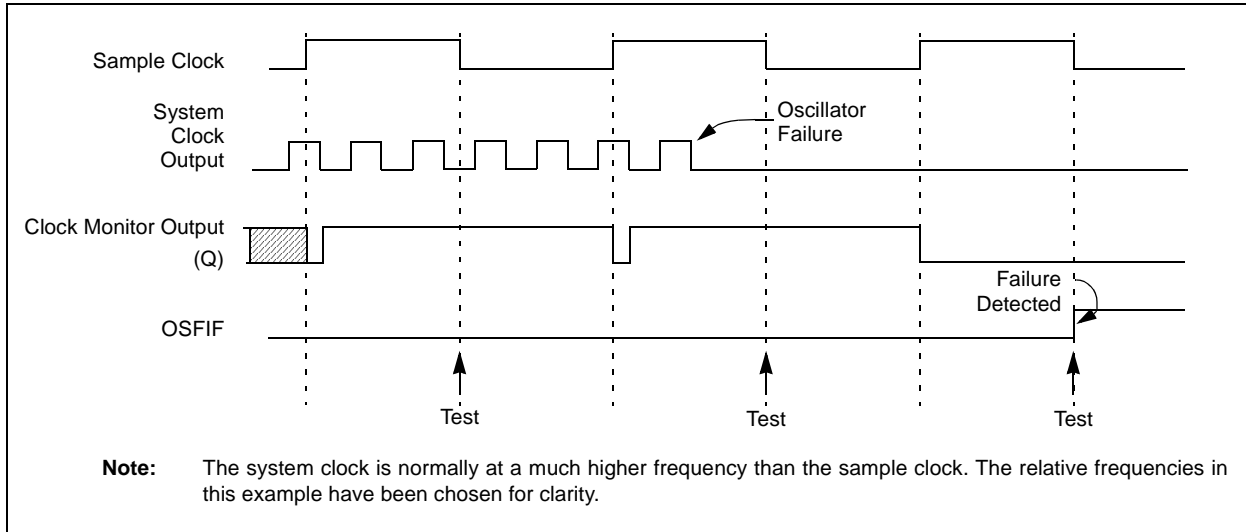
### 3.8.4 RESET OR WAKE-UP FROM SLEEP

The FSCM is designed to detect an oscillator failure after the Oscillator Start-up Timer (OST) has expired. The OST is used after waking up from Sleep and after any type of Reset. The OST is not used with the EC or RC Clock modes so that the FSCM will be active as soon as the Reset or wake-up has completed. When the FSCM is enabled, the Two-Speed Start-up is also enabled. Therefore, the device will always be executing code while the OST is operating.

**Note:** Due to the wide range of oscillator start-up times, the Fail-Safe circuit is not active during oscillator start-up (i.e., after exiting Reset or Sleep). After an appropriate amount of time, the user should check the OSTS bit of the OSCCON register to verify the oscillator start-up and that the system clock switchover has successfully completed.

# PIC12F635/PIC16F636/639

**FIGURE 3-9: FSCM TIMING DIAGRAM**



**TABLE 3-2: SUMMARY OF REGISTERS ASSOCIATED WITH CLOCK SOURCES**

| Name                  | Bit 7 | Bit 6 | Bit 5 | Bit 4               | Bit 3 | Bit 2 | Bit 1 | Bit 0  | Value on POR, BOR | Value on all other Resets <sup>(1)</sup> |
|-----------------------|-------|-------|-------|---------------------|-------|-------|-------|--------|-------------------|--|
| CONFIG <sup>(2)</sup> | CPD   | CP    | MCLRE | PWRTE               | WDTE  | FOSC2 | FOSC1 | FOSC0  | —                 | —  |
| INTCON                | GIE   | PEIE  | TOIE  | INTE                | RAIE  | T0IF  | INTF  | RAIF   | 0000 000x         | 0000 000x                                |
| OSCCON                | —     | IRCF2 | IRCF1 | IRCF0               | OSTS  | HTS   | LTS   | SCS    | -110 x000         | -110 x000                                |
| OSCTUNE               | —     | —     | —     | TUN4                | TUN3  | TUN2  | TUN1  | TUN0   | ---0 0000         | ---u uuuu                                |
| PIE1                  | EEIE  | LVDIE | CRIE  | C2IE <sup>(3)</sup> | C1IE  | OSFIE | —     | TMR1IE | 000- 00-0         | 000- 00-0                                |
| PIR1                  | EEIF  | LVDIF | CRIF  | C2IF <sup>(3)</sup> | C1IF  | OSFIF | —     | TMR1IF | 000- 00-0         | 000- 00-0                                |

**Legend:** x = unknown, u = unchanged, - = unimplemented locations read as '0'. Shaded cells are not used by oscillators.

**Note 1:** Other (non Power-up) Resets include MCLR Reset and Watchdog Timer Reset during normal operation.

**Note 2:** See Configuration Word register (CONFIG) for operation of all register bits.

**Note 3:** PIC16F636/639 only.



## 4.0 I/O PORTS

There are as many as twelve general purpose I/O pins available. Depending on which peripherals are enabled, some or all of the pins may not be available as general purpose I/O. In general, when a peripheral is enabled, the associated pin may not be used as a general purpose I/O pin.

### 4.1 PORTA and the TRISA Registers

PORTA is a 6-bit wide, bidirectional port. The corresponding data direction register is TRISA (Register 4-2). Setting a TRISA bit (= 1) will make the corresponding PORTA pin an input (i.e., put the corresponding output driver in a High-Impedance mode). Clearing a TRISA bit (= 0) will make the corresponding PORTA pin an output (i.e., put the contents of the output latch on the selected pin). The exception is RA3, which is input only and its TRIS bit will always read as '1'. Example 4-1 shows how to initialize PORTA.

**Note:** PORTA = GPIO  
TRISA = TRISIO

Reading the PORTA register (Register 4-1) reads the status of the pins, whereas writing to it will write to the PORT latch. All write operations are read-modify-write operations. Therefore, a write to a port implies that the port pins are read, this value is modified and then written to the PORT data latch. RA3 reads '0' when MCLRE = 1.

The TRISA register controls the direction of the PORTA pins, even when they are being used as analog inputs. The user must ensure the bits in the TRISA register are maintained set when using them as analog inputs. I/O pins configured as analog inputs always read '0'.

**Note:** The CMCON0 register must be initialized to configure an analog channel as a digital input. Pins configured as analog inputs will read '0'.

#### EXAMPLE 4-1: INITIALIZING PORTA

```
BANKSEL PORTA      ;
CLRF  PORTA        ;Init PORTA
MOVLW 07h          ;Set RA<2:0> to
MOVWF CMCON0       ;digital I/O
BSF   STATUS,RP0   ;Bank 1
BCF   STATUS,RP1   ;
MOVLW 0Ch          ;Set RA<3:2> as inputs
MOVWF TRISA        ;and set RA<5:4,1:0>
                       ;as outputs
```

## 4.2 Additional Pin Functions

Every PORTA pin on the PIC12F635/PIC16F636/639 has an interrupt-on-change option and a weak pull-up/pull-down option. RA0 has an Ultra Low-Power Wake-up option. The next three sections describe these functions.

### 4.2.1 WEAK PULL-UP/PULL-DOWN

Each of the PORTA pins, except RA3, has an internal weak pull-up and pull-down. The WDA bits select either a pull-up or pull-down for an individual port bit. Individual control bits can turn on the pull-up or pull-down. These pull-ups/pull-downs are automatically turned off when the port pin is configured as an output, as an alternate function or on a Power-on Reset, setting the R $\overline{A}P\overline{U}$  bit of the OPTION register. A weak pull-up on RA3 is enabled when configured as MCLR in the Configuration Word register and disabled when high voltage is detected, to reduce current consumption through RA3, while in Programming mode.

**Note:** PORTA = GPIO  
TRISA = TRISIO

# PIC12F635/PIC16F636/639

## REGISTER 4-1: PORTA: PORTA REGISTER

|       |     |       |       |     |       |       |       |
|-------|-----|-------|-------|-----|-------|-------|-------|
| U-0   | U-0 | R/W-x | R/W-x | R-x | R/W-x | R/W-x | R/W-x |
| —     | —   | RA5   | RA4   | RA3 | RA2   | RA1   | RA0   |
| bit 7 |     |       |       |     |       |       | bit 0 |

### Legend:

R = Readable bit                      W = Writable bit                      U = Unimplemented bit, read as '0'  
-n = Value at POR                      '1' = Bit is set                      '0' = Bit is cleared                      x = Bit is unknown

bit 7-6                      **Unimplemented:** Read as '0'

bit 5-0                      **RA<5:0>:** PORTA I/O Pin bit  
1 = Port pin is > VIH  
0 = Port pin is < VIL

## REGISTER 4-2: TRISA: PORTA TRI-STATE REGISTER

|       |     |        |        |        |        |        |        |
|-------|-----|--------|--------|--------|--------|--------|--------|
| U-0   | U-0 | R/W-1  | R/W-1  | R-1    | R/W-1  | R/W-1  | R/W-1  |
| —     | —   | TRISA5 | TRISA4 | TRISA3 | TRISA2 | TRISA1 | TRISA0 |
| bit 7 |     |        |        |        |        |        | bit 0  |

### Legend:

R = Readable bit                      W = Writable bit                      U = Unimplemented bit, read as '0'  
-n = Value at POR                      '1' = Bit is set                      '0' = Bit is cleared                      x = Bit is unknown

bit 7-6                      **Unimplemented:** Read as '0'

bit 5-0                      **TRISA<5:0>:** PORTA Tri-State Control bits  
1 = PORTA pin configured as an input (tri-stated)  
0 = PORTA pin configured as an output

- Note 1:** TRISA<3> always reads '1'.  
**Note 2:** TRISA<5:4> always reads '1' in XT, HS and LP Oscillator modes.

# PIC12F635/PIC16F636/639

## REGISTER 4-3: WDA: WEAK PULL-UP/PULL-DOWN DIRECTION REGISTER

|       |     |       |       |     |       |       |       |
|-------|-----|-------|-------|-----|-------|-------|-------|
| U-0   | U-0 | R/W-1 | R/W-1 | U-0 | R/W-1 | R/W-1 | R/W-1 |
| —     | —   | WDA5  | WDA4  | —   | WDA2  | WDA1  | WDA0  |
| bit 7 |     |       |       |     |       |       | bit 0 |

### Legend:

R = Readable bit                      W = Writable bit                      U = Unimplemented bit, read as '0'  
 -n = Value at POR                      '1' = Bit is set                      '0' = Bit is cleared                      x = Bit is unknown

bit 7-6                      **Unimplemented:** Read as '0'  
 bit 5-4                      **WDA<5:4>:** Pull-up/Pull-down Selection bits  
                                     1 = Pull-up selected  
                                     0 = Pull-down selected  
 bit 3                        **Unimplemented:** Read as '0'  
 bit 2-0                      **WDA<2:0>:** Pull-up/Pull-down Selection bits  
                                     1 = Pull-up selected  
                                     0 = Pull-down selected

- Note 1:** The weak pull-up/pull-down device is enabled only when the global  $\overline{\text{RAPU}}$  bit is enabled, the pin is in Input mode (TRIS = 1), the individual WDA bit is enabled (WDA = 1) and the pin is not configured as an analog input or clock function.
- Note 2:** RA3 pull-up is enabled when the pin is configured as  $\overline{\text{MCLR}}$  in the Configuration Word register and the device is not in Programming mode.

## REGISTER 4-4: WPUDA: WEAK PULL-UP/PULL-DOWN ENABLE REGISTER

|       |     |                       |                       |     |        |        |        |
|-------|-----|-----------------------|-----------------------|-----|--------|--------|--------|
| U-0   | U-0 | R/W-1                 | R/W-1                 | U-0 | R/W-1  | R/W-1  | R/W-1  |
| —     | —   | WPUDA5 <sup>(3)</sup> | WPUDA4 <sup>(3)</sup> | —   | WPUDA2 | WPUDA1 | WPUDA0 |
| bit 7 |     |                       |                       |     |        |        | bit 0  |

### Legend:

R = Readable bit                      W = Writable bit                      U = Unimplemented bit, read as '0'  
 -n = Value at POR                      '1' = Bit is set                      '0' = Bit is cleared                      x = Bit is unknown

bit 7-6                      **Unimplemented:** Read as '0'  
 bit 5-4                      **WPUDA<5:4>:** Pull-up/Pull-down Direction Selection bits<sup>(3)</sup>  
                                     1 = Pull-up/pull-down enabled  
                                     0 = Pull-up/pull-down disabled  
 bit 3                        **Unimplemented:** Read as '0'  
 bit 2-0                      **WPUDA<2:0>:** Pull-up/Pull-down Direction Selection bits  
                                     1 = Pull-up/pull-down enabled  
                                     0 = Pull-up/pull-down disabled

- Note 1:** The weak pull-up/pull-down direction device is enabled only when the global  $\overline{\text{RAPU}}$  bit is enabled, the pin is in Input mode (TRIS = 1), the individual WPUDA bit is enabled (WPUDA = 1) and the pin is not configured as an analog input or clock function.
- Note 2:** RA3 pull-up is enabled when the pin is configured as  $\overline{\text{MCLR}}$  in the Configuration Word register and the device is not in Programming mode.
- Note 3:** WPUDA5 bit can be written if INTOSC is enabled and T1OSC is disabled; otherwise, the bit can not be written and reads as '1'. WPUDA4 bit can be written if not configured as OSC2; otherwise, the bit can not be written and reads as '1'.

# PIC12F635/PIC16F636/639

## 4.2.2 INTERRUPT-ON-CHANGE

Each of the PORTA pins is individually configurable as an interrupt-on-change pin. Control bits, IOCAx, enable or disable the interrupt function for each pin. Refer to Register 4-5. The interrupt-on-change is disabled on a Power-on Reset.

For enabled interrupt-on-change pins, the values are compared with the old value latched on the last read of PORTA. The 'mismatch' outputs of the last read are OR'd together to set the PORTA Change Interrupt Flag bit (RAIF) in the INTCON register.

This interrupt can wake the device from Sleep. The user, in the Interrupt Service Routine, clears the interrupt by:

- a) Any read or write of PORTA. This will end the mismatch condition, then
- b) Clear the flag bit RAIF.

A mismatch condition will continue to set flag bit RAIF. Reading PORTA will end the mismatch condition and allow flag bit RAIF to be cleared. The latch holding the last read value is not affected by a  $\overline{\text{MCLR}}$  nor BOR Reset. After these Resets, the RAIF flag will continue to be set if a mismatch is present.

**Note:** If a change on the I/O pin should occur when the read operation is being executed (start of the Q2 cycle), then the RAIF interrupt flag may not get set.

### REGISTER 4-5: IOCA: INTERRUPT-ON-CHANGE PORTA REGISTER

|       |     |                      |                      |                      |       |       |       |
|-------|-----|----------------------|----------------------|----------------------|-------|-------|-------|
| U-0   | U-0 | R/W-0                | R/W-0                | R/W-0                | R/W-0 | R/W-0 | R/W-0 |
| —     | —   | IOCA5 <sup>(2)</sup> | IOCA4 <sup>(2)</sup> | IOCA3 <sup>(3)</sup> | IOCA2 | IOCA1 | IOCA0 |
| bit 7 |     |                      |                      |                      |       |       | bit 0 |

**Legend:**

|                   |                  |  |
|-------------------|------------------|--|
| R = Readable bit  | W = Writable bit | U = Unimplemented bit, read as '0'           |
| -n = Value at POR | '1' = Bit is set | '0' = Bit is cleared      x = Bit is unknown |

- bit 7-6      **Unimplemented:** Read as '0'
- bit 5-0      **IOCA<5:0>:** Interrupt-on-Change PORTA Control bits<sup>(2,3)</sup>
- 1 = Interrupt-on-change enabled<sup>(1)</sup>
- 0 = Interrupt-on-change disabled

- Note 1:** Global Interrupt Enable (GIE) must be enabled for individual interrupts to be recognized.
- 2:** IOCA<5:4> always reads '0' in XT, HS and LP Oscillator modes.
- 3:** IOCA<3> is ignored when WUR is enabled and the device is in Sleep mode.

## 4.2.3 ULTRA LOW-POWER WAKE-UP

The Ultra Low-Power Wake-up (ULPWU) on RA0 allows a slow falling voltage to generate an interrupt-on-change on RA0 without excess current consumption. The mode is selected by setting the ULPWUE bit of the PCON register. This enables a small current sink which can be used to discharge a capacitor on RA0.

To use this feature, the RA0 pin is configured to output '1' to charge the capacitor, interrupt-on-change for RA0 is enabled and RA0 is configured as an input. The ULPWUE bit is set to begin the discharge and a SLEEP instruction is performed. When the voltage on RA0 drops below V<sub>IL</sub>, an interrupt will be generated which will cause the device to wake-up. Depending on the state of the GIE bit of the INTCON register, the device will either jump to the interrupt vector (0004h) or execute the next instruction when the interrupt event occurs. See **Section 4.2.2 "Interrupt-on-Change"** and **Section 12.9.3 "PORTA Interrupt"** for more information.

This feature provides a low-power technique for periodically waking up the device from Sleep. The time-out is dependent on the discharge time of the RC circuit on RA0. See Example 4-2 for initializing the Ultra Low Power Wake-up module.

The series resistor provides overcurrent protection for the RA0 pin and can allow for software calibration of the time-out (see Figure 4-1). A timer can be used to measure the charge time and discharge time of the capacitor. The charge time can then be adjusted to provide the desired interrupt delay. This technique will compensate for the affects of temperature, voltage and component accuracy. The Ultra Low-Power Wake-up peripheral can also be configured as a simple Programmable Low-Voltage Detect or temperature sensor.

**Note:** For more information, refer to the Application Note AN879, "Using the Microchip Ultra Low-Power Wake-up Module" (DS00879).

## EXAMPLE 4-2: ULTRA LOW-POWER WAKE-UP INITIALIZATION

```
BANKSEL PORTA      ;
BSF    PORTA,0     ;Set RA0 data latch
MOVLW  H'7'       ;Turn off
MOVWF  CMCON0     ; comparators
BANKSEL TRISA     ;
BCF    TRISA,0    ;Output high to
CALL   CapDelay   ; charge capacitor
BSF    PCON,ULPWUE ;Enable ULP Wake-up
BSF    IOCA,0     ;Select RA0 IOC
BSF    TRISA,0    ;RA0 to input
MOVLW  B'10001000' ;Enable interrupt
MOVWF  INTCON     ; and clear flag
SLEEP                          ;Wait for IOC
NOP                               ;
```

# PIC12F635/PIC16F636/639

## 4.2.4 PIN DESCRIPTIONS AND DIAGRAMS

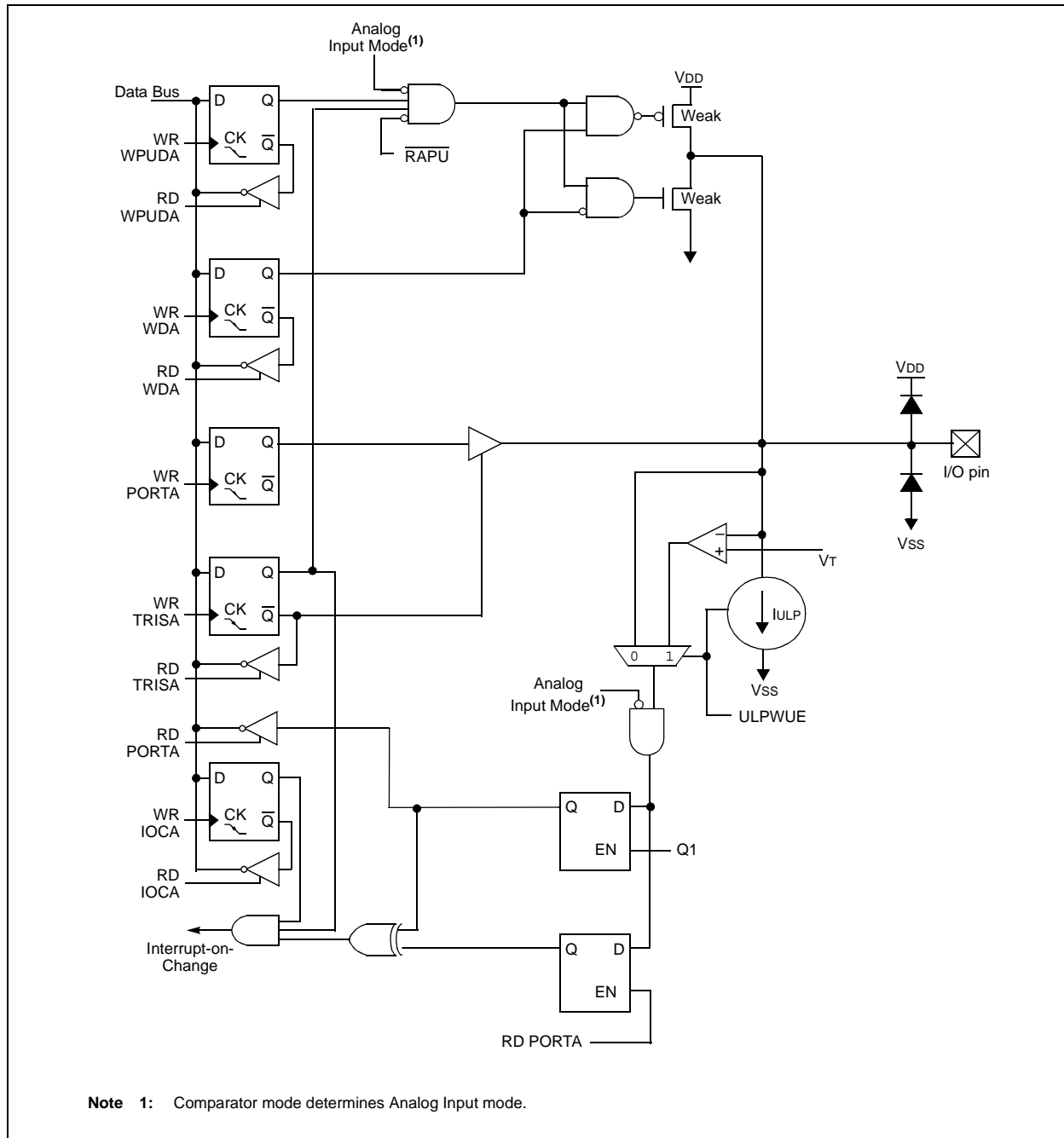
Each PORTA pin is multiplexed with other functions. The pins and their combined functions are briefly described here. For specific information about individual functions, such as the comparator, refer to the appropriate section in this data sheet.

### 4.2.4.1 RA0/C1IN+/ICSPDAT/ULPWU

Figure 4-2 shows the diagram for this pin. The RA0 pin is configurable to function as one of the following:

- a general purpose I/O
- an analog input to the comparator
- In-Circuit Serial Programming™ data
- an analog input for the Ultra Low-Power Wake-up

**FIGURE 4-1: BLOCK DIAGRAM OF RA0**



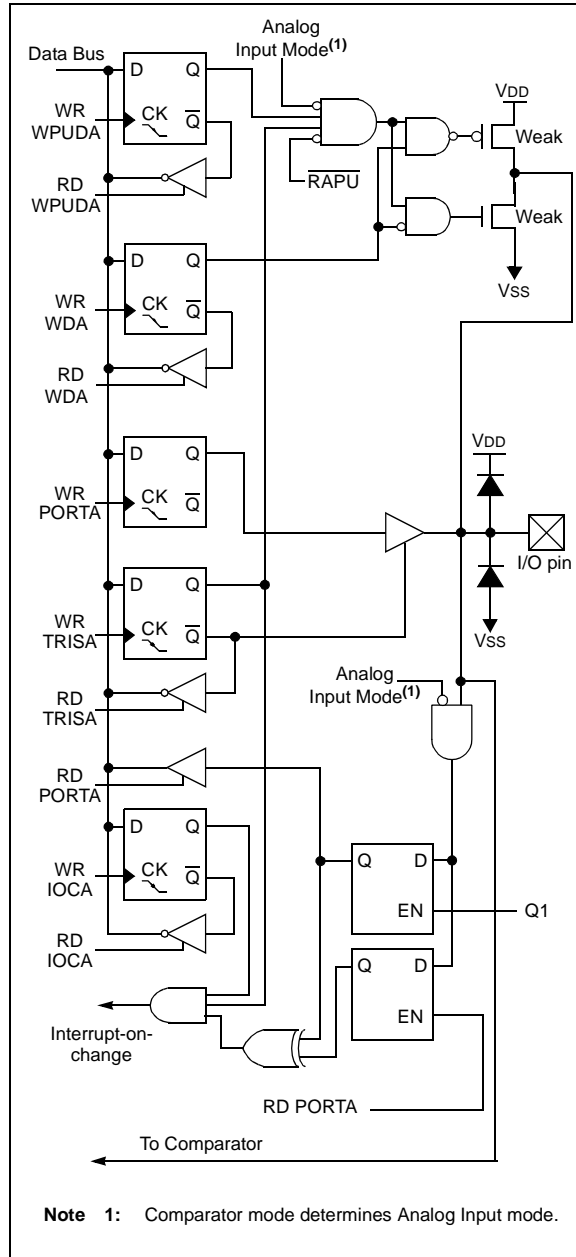
# PIC12F635/PIC16F636/639

## 4.2.4.2 RA1/C1IN-/VREF/ICSPCLK

Figure 4-2 shows the diagram for this pin. The RA1 pin is configurable to function as one of the following:

- a general purpose I/O
- an analog input to the comparator
- In-Circuit Serial Programming™ clock

**FIGURE 4-2: BLOCK DIAGRAM OF RA1**

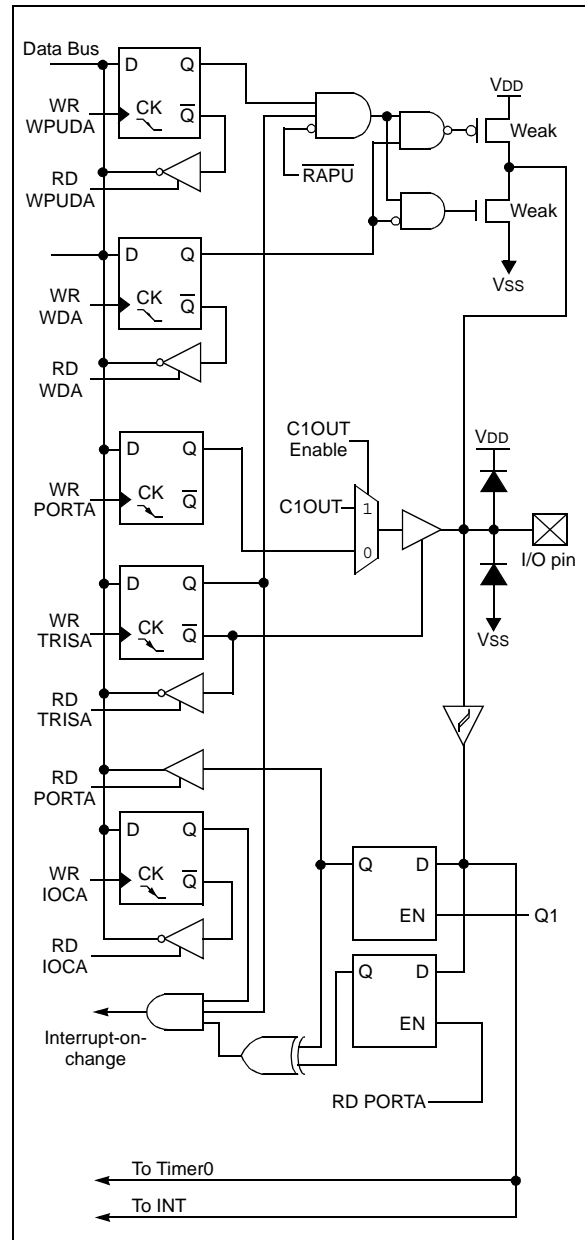


## 4.2.4.3 RA2/T0CKI/INT/C1OUT

Figure 4-3 shows the diagram for this pin. The RA2 pin is configurable to function as one of the following:

- a general purpose I/O
- the clock input for Timer0
- an external edge-triggered interrupt
- a digital output from the comparator

**FIGURE 4-3: BLOCK DIAGRAM OF RA2**



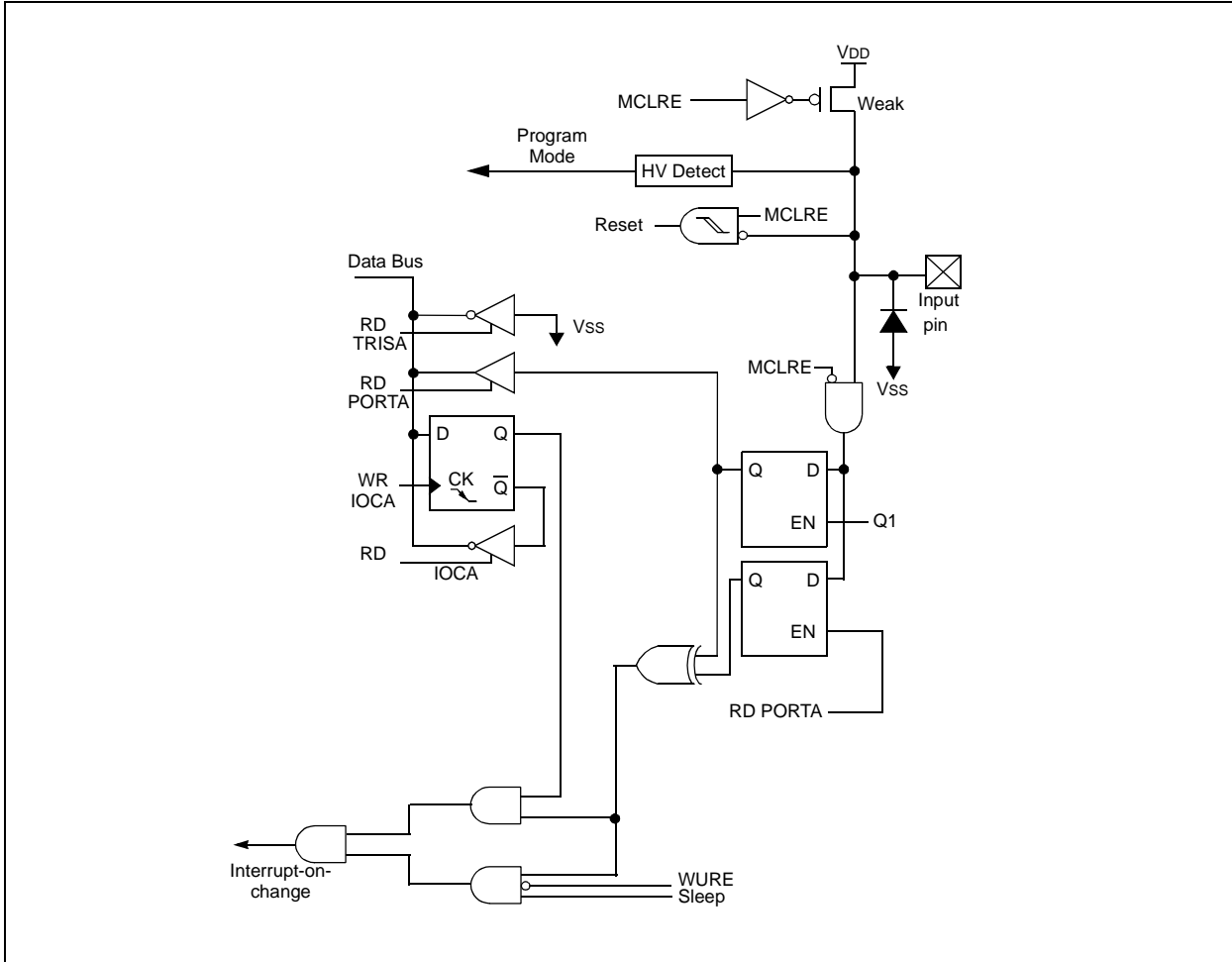
# PIC12F635/PIC16F636/639

## 4.2.4.4 RA3/ $\overline{\text{MCLR}}$ /VPP

Figure 4-4 shows the diagram for this pin. The RA3 pin is configurable to function as one of the following:

- a general purpose input
- as Master Clear Reset with weak pull-up
- a high-voltage detect for Program mode entry

**FIGURE 4-4: BLOCK DIAGRAM OF RA3**





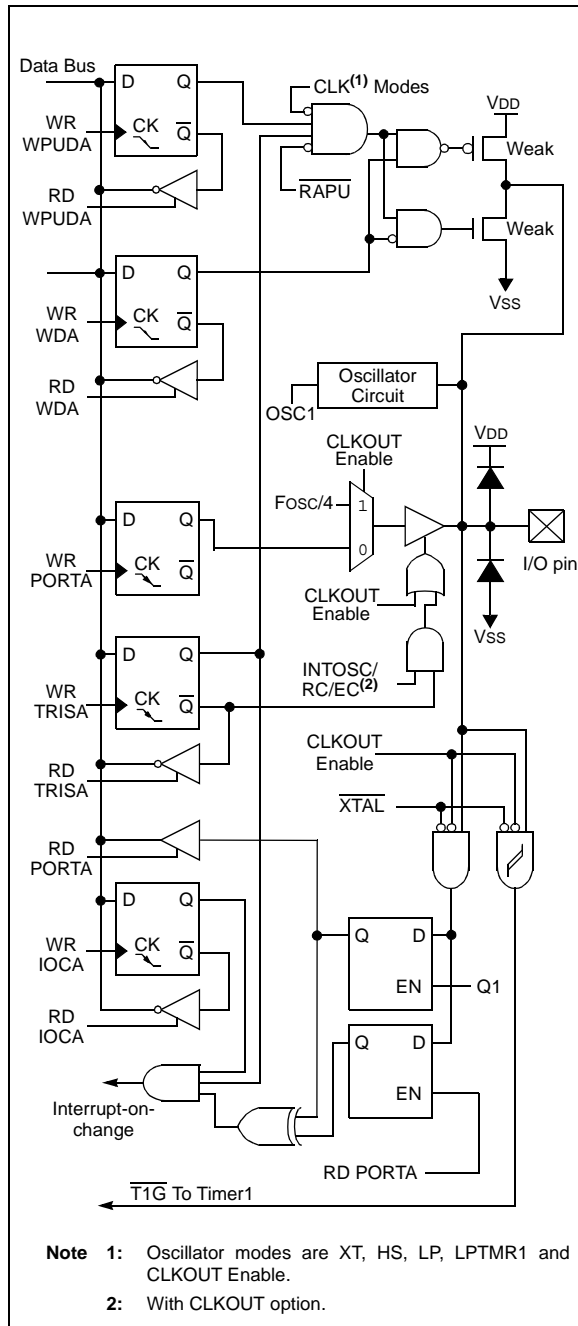
# PIC12F635/PIC16F636/639

## 4.2.4.5 RA4/ $\overline{T1G}$ /OSC2/CLKOUT

Figure 4-5 shows the diagram for this pin. The RA4 pin is configurable to function as one of the following:

- a general purpose I/O
- a Timer1 gate input
- a crystal/resonator connection
- a clock output

**FIGURE 4-5: BLOCK DIAGRAM OF RA4**

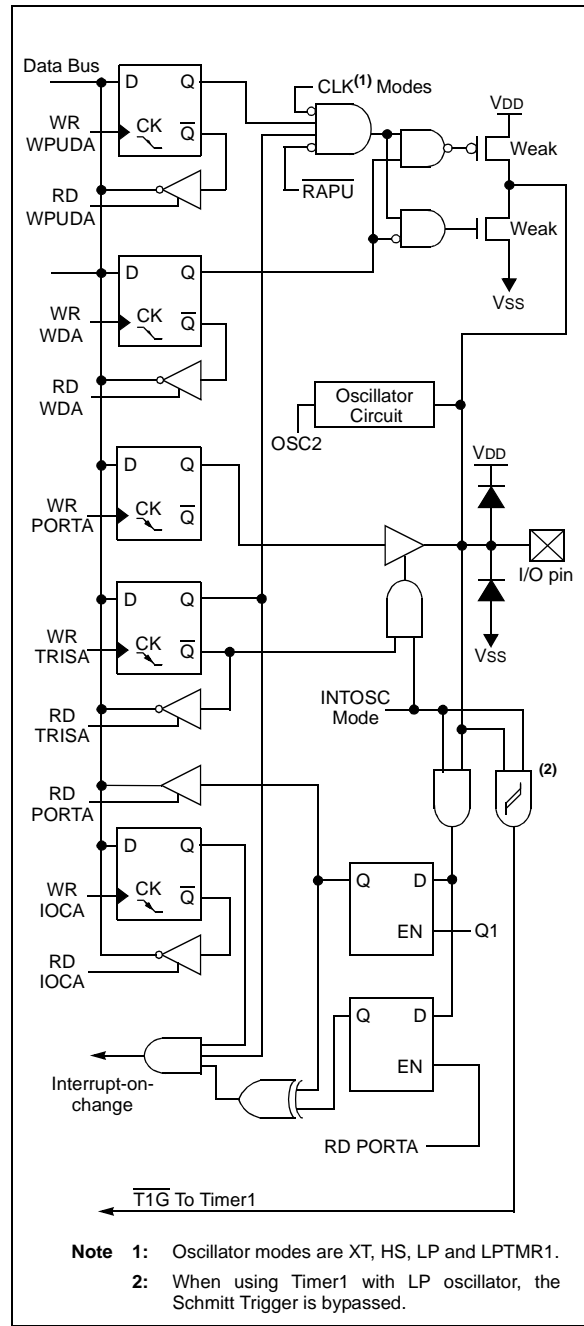


## 4.2.4.6 RA5/T1CKI/OSC1/CLKIN

Figure 4-6 shows the diagram for this pin. The RA5 pin is configurable to function as one of the following:

- a general purpose I/O
- a Timer1 clock input
- a crystal/resonator connection
- a clock input

**FIGURE 4-6: BLOCK DIAGRAM OF RA5**



# PIC12F635/PIC16F636/639

**TABLE 4-1: SUMMARY OF REGISTERS ASSOCIATED WITH PORTA**

| Name       | Bit 7   | Bit 6  | Bit 5   | Bit 4   | Bit 3   | Bit 2           | Bit 1  | Bit 0  | Value on POR, BOR, WUR | Value on all other Resets |
|------------|---|--------|---------|---------|---------|-----------------|--------|--------|------------------------|---------------------------|
| PORTA      | —   | —      | RA5     | RA4     | RA3     | RA2             | RA1    | RA0    | --xx xx00              | --uu uu00                 |
| INTCON     | GIE   | PEIE   | T0IE    | INTE    | RAIE    | T0IF            | INTF   | RAIF   | 0000 000x              | 0000 000x                 |
| TMR1L      | Holding Register for the Least Significant Byte of the 16-bit TMR1 Register |        |         |         |         |                 |        |        | xxxx xxxx              | uuuu uuuu                 |
| TMR1H      | Holding Register for the Most Significant Byte of the 16-bit TMR1 Register  |        |         |         |         |                 |        |        | xxxx xxxx              | uuuu uuuu                 |
| T1CON      | T1GINV  | TMR1GE | T1CKPS1 | T1CKPS0 | T1OSCEN | T1SYN $\bar{C}$ | TMR1CS | TMR1ON | 0000 0000              | uuuu uuuu                 |
| CMCON1     | —   | —      | —       | —       | —       | —               | T1GSS  | CxSYNC | ---- --10              | ---- --10                 |
| CMCON0     | C2OUT   | C1OUT  | C2INV   | C1INV   | CIS     | CM2             | CM1    | CM0    | 0000 0000              | 0000 0000                 |
| OPTION_REG | RAPU  | INTEDG | T0CS    | T0SE    | PSA     | PS2             | PS1    | PS0    | 1111 1111              | 1111 1111                 |
| TRISA      | —   | —      | TRISA5  | TRISA4  | TRISA3  | TRISA2          | TRISA1 | TRISA0 | --11 1111              | --11 1111                 |
| WPUDA      | —   | —      | WPUDA5  | WPUDA4  | —       | WPUDA2          | WPUDA1 | WPUDA0 | --11 -111              | --11 -111                 |
| IOCA       | —   | —      | IOCA5   | IOCA4   | IOCA3   | IOCA2           | IOCA1  | IOCA0  | --00 0000              | --00 0000                 |
| WDA        | —   | —      | WDA5    | WDA4    | —       | WDA2            | WDA1   | WDA0   | --11 -111              | --11 -111                 |

**Legend:** x = unknown, u = unchanged, — = unimplemented locations read as '0'. Shaded cells are not used by PORTA.

# PIC12F635/PIC16F636/639

## 4.3 PORTC

PORTC is a general purpose I/O port consisting of 6 bidirectional pins. The pins can be configured for either digital I/O or analog input to comparator. For specific information about individual functions, refer to the appropriate section in this data sheet.

**Note:** The CMCON0 register must be initialized to configure an analog channel as a digital input. Pins configured as analog inputs will read '0'.

### EXAMPLE 4-3: INITIALIZING PORTC

```
BANKSEL PORTC      ;
CLRF   PORTC       ;Init PORTC
MOVLW  07h         ;Set RC<4,1:0> to
MOVWF  CMCON0      ;digital I/O
BANKSEL TRISC      ;
MOVLW  0Ch         ;Set RC<3:2> as inputs
MOVWF  TRISC       ;and set RC<5:4,1:0>
                          ;as outputs
```

### REGISTER 4-6: PORTC: PORTC REGISTER

|       |     |       |       |       |       |       |       |
|-------|-----|-------|-------|-------|-------|-------|-------|
| U-0   | U-0 | R/W-x | R/W-x | R/W-x | R/W-x | R/W-0 | R/W-0 |
| —     | —   | RC5   | RC4   | RC3   | RC2   | RC1   | RC0   |
| bit 7 |     |       |       |       |       |       | bit 0 |

#### Legend:

R = Readable bit                      W = Writable bit                      U = Unimplemented bit, read as '0'  
-n = Value at POR                      '1' = Bit is set                      '0' = Bit is cleared                      x = Bit is unknown

bit 7-6                      **Unimplemented:** Read as '0'  
bit 5-0                      **RC<5:0>:** PORTC General Purpose I/O Pin bits  
                                    1 = Port pin is > VIH  
                                    0 = Port pin is < VIL

### REGISTER 4-7: TRISC: PORTC TRI-STATE REGISTER

|       |     |        |        |        |        |        |        |
|-------|-----|--------|--------|--------|--------|--------|--------|
| U-0   | U-0 | R/W-1  | R/W-1  | R-1    | R/W-1  | R/W-1  | R/W-1  |
| —     | —   | TRISC5 | TRISC4 | TRISC3 | TRISC2 | TRISC1 | TRISC0 |
| bit 7 |     |        |        |        |        |        | bit 0  |

#### Legend:

R = Readable bit                      W = Writable bit                      U = Unimplemented bit, read as '0'  
-n = Value at POR                      '1' = Bit is set                      '0' = Bit is cleared                      x = Bit is unknown

bit 7-6                      **Unimplemented:** Read as '0'  
bit 5-0                      **TRISC<5:0>:** PORTC Tri-State Control bits  
                                    1 = PORTC pin configured as an input (tri-stated)  
                                    0 = PORTC pin configured as an output

# PIC12F635/PIC16F636/639

## 4.3.1 RC0/C2IN+

Figure 4-7 shows the diagram for this pin. The RC0 pin is configurable to function as one of the following:

- a general purpose I/O
- an analog input to the comparator

## 4.3.2 RC1/C2IN-

Figure 4-7 shows the diagram for this pin. The RC1 pin is configurable to function as one of the following:

- a general purpose I/O
- an analog input to the comparator

## 4.3.3 RC2

Figure 4-8 shows the diagram for this pin. The RC2 pin is configurable to function as a general purpose I/O.

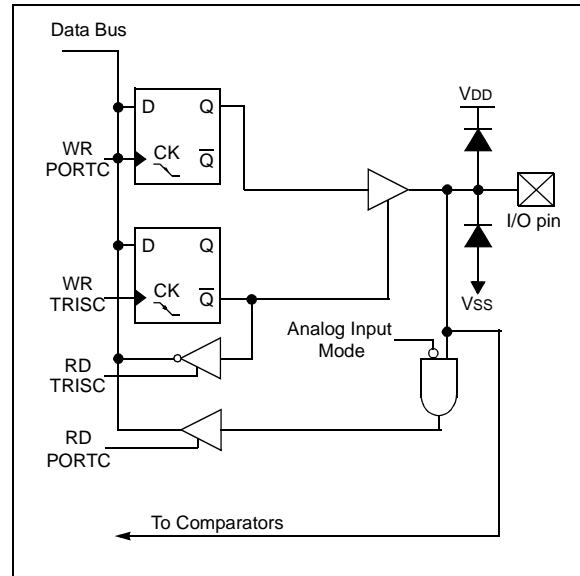
## 4.3.4 RC3

Figure 4-8 shows the diagram for this pin. The RC3 pin is configurable to function as a general purpose I/O.

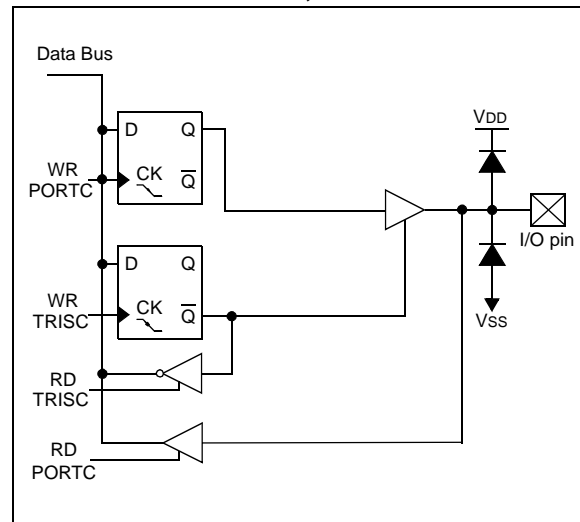
## 4.3.5 RC5

Figure 4-8 shows the diagram for this pin. The RC5 pin is configurable to function as a general purpose I/O.

**FIGURE 4-7: BLOCK DIAGRAM OF RC0 AND RC1**



**FIGURE 4-8: BLOCK DIAGRAM OF RC2, RC3 AND RC5**

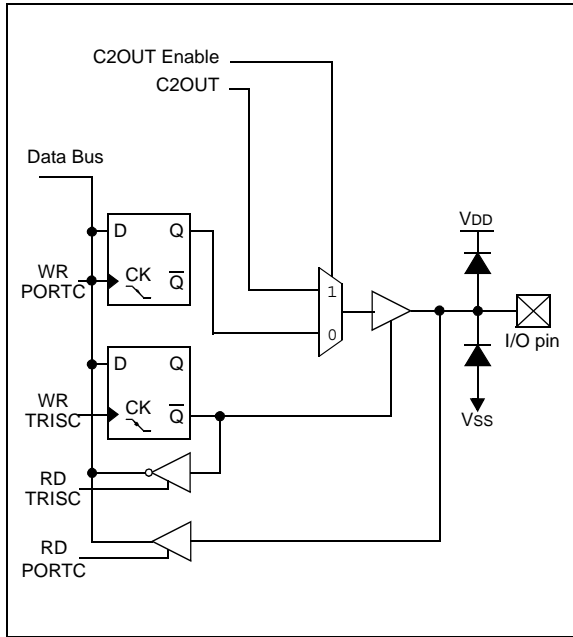


## 4.3.6 RC4/C2OUT

Figure 4-9 shows the diagram for this pin. The RC4 pin is configurable to function as one of the following:

- a general purpose I/O
- a digital output from the comparator

**FIGURE 4-9: BLOCK DIAGRAM OF RC4**



**TABLE 4-2: SUMMARY OF REGISTERS ASSOCIATED WITH PORTC**

| Name   | Bit 7 | Bit 6 | Bit 5  | Bit 4  | Bit 3  | Bit 2  | Bit 1  | Bit 0  | Value on POR, BOR, WUR | Value on all other Resets |
|--------|-------|-------|--------|--------|--------|--------|--------|--------|------------------------|---------------------------|
| PORTC  | —     | —     | RC5    | RC4    | RC3    | RC2    | RC1    | RC0    | --xx xx00              | --uu uu00                 |
| CMCON0 | C2OUT | C1OUT | C2INV  | C1INV  | CIS    | CM2    | CM1    | CM0    | 0000 0000              | 0000 0000                 |
| TRISC  | —     | —     | TRISC5 | TRISC4 | TRISC3 | TRISC2 | TRISC1 | TRISC0 | --11 1111              | --11 1111                 |

**Legend:** x = unknown, u = unchanged, — = unimplemented locations read as '0'. Shaded cells are not used by PORTA.

# PIC12F635/PIC16F636/639

---

NOTES:

## 5.0 TIMER0 MODULE

The Timer0 module is an 8-bit timer/counter with the following features:

- 8-bit timer/counter register (TMR0)
- 8-bit prescaler (shared with Watchdog Timer)
- Programmable internal or external clock source
- Programmable external clock edge selection
- Interrupt on overflow

Figure 5-1 is a block diagram of the Timer0 module.

## 5.1 Timer0 Operation

When used as a timer, the Timer0 module can be used as either an 8-bit timer or an 8-bit counter.

### 5.1.1 8-BIT TIMER MODE

When used as a timer, the Timer0 module will increment every instruction cycle (without prescaler). Timer mode is selected by clearing the T0CS bit of the OPTION register to '0'.

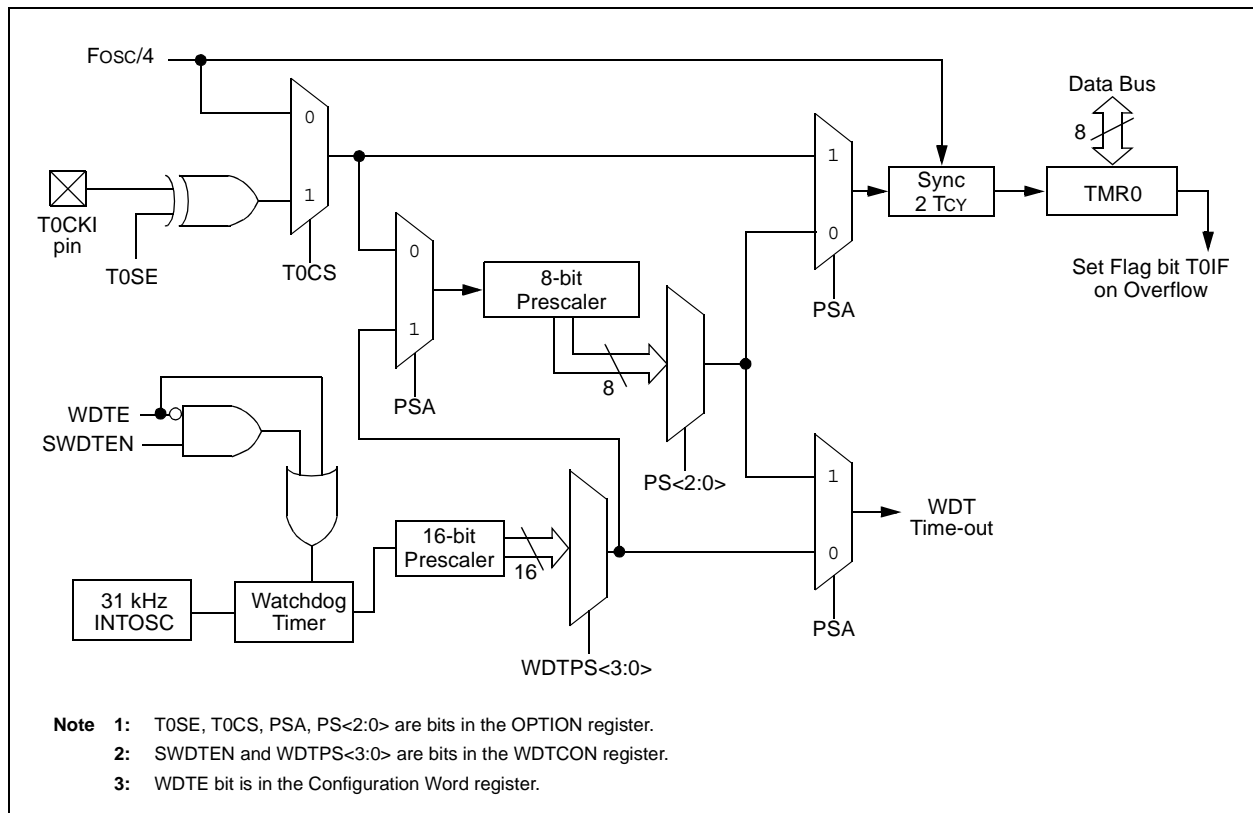
When TMR0 is written, the increment is inhibited for two instruction cycles immediately following the write.

**Note:** The value written to the TMR0 register can be adjusted, in order to account for the two instruction cycle delay when TMR0 is written.

### 5.1.2 8-BIT COUNTER MODE

When used as a counter, the Timer0 module will increment on every rising or falling edge of the T0CKI pin. The incrementing edge is determined by the T0SE bit of the OPTION register. Counter mode is selected by setting the T0CS bit of the OPTION register to '1'.

**FIGURE 5-1: BLOCK DIAGRAM OF THE TIMER0/WDT PRESCALER**



# PIC12F635/PIC16F636/639

## 5.1.3 SOFTWARE PROGRAMMABLE PRESCALER

A single software programmable prescaler is available for use with either Timer0 or the Watchdog Timer (WDT), but not both simultaneously. The prescaler assignment is controlled by the PSA bit of the OPTION register. To assign the prescaler to Timer0, the PSA bit must be cleared to a '0'.

There are 8 prescaler options for the Timer0 module ranging from 1:2 to 1:256. The prescale values are selectable via the PS<2:0> bits of the OPTION register. In order to have a 1:1 prescaler value for the Timer0 module, the prescaler must be assigned to the WDT module.

The prescaler is not readable or writable. When assigned to the Timer0 module, all instructions writing to the TMR0 register will clear the prescaler.

When the prescaler is assigned to WDT, a CLRWDT instruction will clear the prescaler along with the WDT.

### 5.1.3.1 Switching Prescaler Between Timer0 and WDT Modules

As a result of having the prescaler assigned to either Timer0 or the WDT, it is possible to generate an unintended device Reset when switching prescaler values. When changing the prescaler assignment from Timer0 to the WDT module, the instruction sequence shown in Example 5-1, must be executed.

#### EXAMPLE 5-1: CHANGING PRESCALER (TIMER0 → WDT)

```
BANKSEL  TMR0          ;
CLRWDT   TMR0          ;Clear WDT
CLRF     TMR0          ;Clear TMR0 and
                          ;prescaler

BANKSEL  OPTION_REG    ;
BSF      OPTION_REG, PSA ;Select WDT
CLRWDT   TMR0          ;

MOVLW   b'11111000'    ;Mask prescaler
ANDWF   OPTION_REG,W   ;bits
IORLW   b'00000101'    ;Set WDT prescaler
MOVWF   OPTION_REG     ;to 1:32
```

When changing the prescaler assignment from the WDT to the Timer0 module, the following instruction sequence must be executed (see Example 5-2).

#### EXAMPLE 5-2: CHANGING PRESCALER (WDT → TIMER0)

```
CLRWDT   TMR0          ;Clear WDT and
                          ;prescaler

BANKSEL  OPTION_REG    ;
MOVLW   b'11110000'    ;Mask TMR0 select and
ANDWF   OPTION_REG,W   ;prescaler bits
IORLW   b'00000011'    ;Set prescale to 1:16
MOVWF   OPTION_REG     ;
```

## 5.1.4 TIMER0 INTERRUPT

Timer0 will generate an interrupt when the TMR0 register overflows from FFh to 00h. The T0IF interrupt flag bit of the INTCON register is set every time the TMR0 register overflows, regardless of whether or not the Timer0 interrupt is enabled. The T0IF bit must be cleared in software. The Timer0 interrupt enable is the T0IE bit of the INTCON register..

**Note:** The Timer0 interrupt cannot wake the processor from Sleep since the timer is frozen during Sleep.

## 5.1.5 USING TIMER0 WITH AN EXTERNAL CLOCK

When Timer0 is in Counter mode, the synchronization of the T0CKI input and the Timer0 register is accomplished by sampling the prescaler output on the Q2 and Q4 cycles of the internal phase clocks. Therefore, the high and low periods of the external clock source must meet the timing requirements as shown in the Section 15.0 "Electrical Specifications".



# PIC12F635/PIC16F636/639

**REGISTER 5-1: OPTION\_REG: OPTION REGISTER**

|                          |        |       |       |       |       |       |       |
|--------------------------|--------|-------|-------|-------|-------|-------|-------|
| R/W-1                    | R/W-1  | R/W-1 | R/W-1 | R/W-1 | R/W-1 | R/W-1 | R/W-1 |
| $\overline{\text{RAPU}}$ | INTEDG | T0CS  | T0SE  | PSA   | PS2   | PS1   | PS0   |
| bit 7                    |        |       |       |       |       |       | bit 0 |

**Legend:**

R = Readable bit                      W = Writable bit                      U = Unimplemented bit, read as '0'  
 -n = Value at POR                      '1' = Bit is set                      '0' = Bit is cleared                      x = Bit is unknown

- bit 7                       **$\overline{\text{RAPU}}$** : PORTA Pull-up Enable bit  
 1 = PORTA pull-ups are disabled  
 0 = PORTA pull-ups are enabled by individual PORT latch values
- bit 6                      **INTEDG**: Interrupt Edge Select bit  
 1 = Interrupt on rising edge of INT pin  
 0 = Interrupt on falling edge of INT pin
- bit 5                      **T0CS**: TMR0 Clock Source Select bit  
 1 = Transition on T0CKI pin  
 0 = Internal instruction cycle clock ( $F_{osc}/4$ )
- bit 4                      **T0SE**: TMR0 Source Edge Select bit  
 1 = Increment on high-to-low transition on T0CKI pin  
 0 = Increment on low-to-high transition on T0CKI pin
- bit 3                      **PSA**: Prescaler Assignment bit  
 1 = Prescaler is assigned to the WDT  
 0 = Prescaler is assigned to the Timer0 module
- bit 2-0                      **PS<2:0>**: Prescaler Rate Select bits

| BIT VALUE | TMR0 RATE | WDT RATE |
|-----------|-----------|----------|
| 000       | 1 : 2     | 1 : 1    |
| 001       | 1 : 4     | 1 : 2    |
| 010       | 1 : 8     | 1 : 4    |
| 011       | 1 : 16    | 1 : 8    |
| 100       | 1 : 32    | 1 : 16   |
| 101       | 1 : 64    | 1 : 32   |
| 110       | 1 : 128   | 1 : 64   |
| 111       | 1 : 256   | 1 : 128  |

**Note 1:** A dedicated 16-bit WDT postscaler is available. See **Section 12.11 “Watchdog Timer (WDT)”** for more information.

**TABLE 5-1: SUMMARY OF REGISTERS ASSOCIATED WITH TIMER0**

| Name       | Bit 7                    | Bit 6  | Bit 5  | Bit 4  | Bit 3  | Bit 2  | Bit 1  | Bit 0  | Value on: POR, BOR | Value on all other Resets |
|------------|--------------------------|--------|--------|--------|--------|--------|--------|--------|--------------------|---------------------------|
| TMR0       | Timer0 Module Register   |        |        |        |        |        |        |        | xxxx xxxx          | uuuu uuuu                 |
| INTCON     | GIE                      | PEIE   | T0IE   | INTE   | RAIE   | T0IF   | INTF   | RAIF   | 0000 000x          | 0000 000x                 |
| OPTION_REG | $\overline{\text{RAPU}}$ | INTEDG | T0CS   | T0SE   | PSA    | PS2    | PS1    | PS0    | 1111 1111          | 1111 1111                 |
| TRISA      | —                        | —      | TRISA5 | TRISA4 | TRISA3 | TRISA2 | TRISA1 | TRISA0 | --11 1111          | --11 1111                 |

**Legend:** — = Unimplemented locations, read as '0', u = unchanged, x = unknown. Shaded cells are not used by the Timer0 module.

# PIC12F635/PIC16F636/639

---

## 6.0 TIMER1 MODULE WITH GATE CONTROL

The Timer1 module is a 16-bit timer/counter with the following features:

- 16-bit timer/counter register pair (TMR1H:TMR1L)
- Programmable internal or external clock source
- 3-bit prescaler
- Optional LP oscillator
- Synchronous or asynchronous operation
- Timer1 gate (count enable) via comparator or  $\overline{T1G}$  pin
- Interrupt on overflow
- Wake-up on overflow (external clock, Asynchronous mode only)
- Comparator output synchronization to Timer1 clock

Figure 6-1 is a block diagram of the Timer1 module.

### 6.1 Timer1 Operation

The Timer1 module is a 16-bit incrementing counter which is accessed through the TMR1H:TMR1L register pair. Writes to TMR1H or TMR1L directly update the counter.

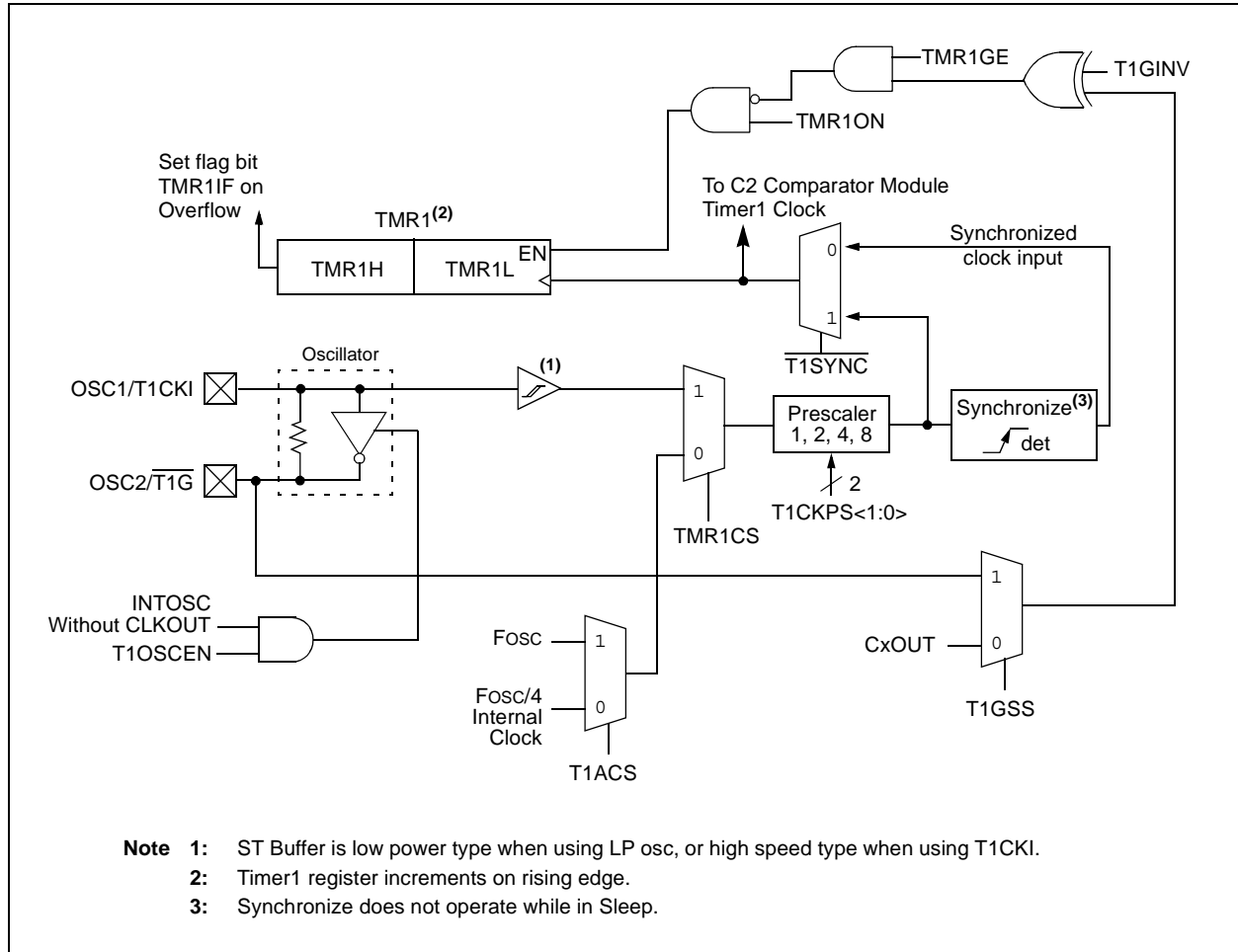
When used with an internal clock source, the module is a timer. When used with an external clock source, the module can be used as either a timer or counter.

### 6.2 Clock Source Selection

The TMR1CS bit of the T1CON register is used to select the clock source. When TMR1CS = 0, the clock source is  $F_{osc}/4$ . When TMR1CS = 1, the clock source is supplied externally.

| Clock Source | T1OSCEN | FOSC Mode      | T1CS |
|--------------|---------|----------------|------|
| $F_{osc}/4$  | x       | xxx            | x    |
| T1CKI pin    | x       |                | 1    |
| T1LPOSC      | 1       | LP or INTOSCIO |      |

**FIGURE 6-1: TIMER1 BLOCK DIAGRAM**



# PIC12F635/PIC16F636/639

## 6.2.1 INTERNAL CLOCK SOURCE

When the internal clock source is selected the TMR1H:TMR1L register pair will increment on multiples of Tcy as determined by the Timer1 prescaler.

## 6.2.2 EXTERNAL CLOCK SOURCE

When the external clock source is selected, the Timer1 module may work as a timer or a counter.

When counting, Timer1 is incremented on the rising edge of the external clock input T1CKI. In addition, the Counter mode clock can be synchronized to the microcontroller system clock or run asynchronously.

In Counter mode, a falling edge must be registered by the counter prior to the first incrementing rising edge after one or more of the following conditions:

- Timer1 is enabled after POR or BOR Reset
- A write to TMR1H or TMR1L
- T1CKI is high when Timer1 is disabled and when Timer1 is reenabled T1CKI is low. See Figure 6-2.

## 6.3 Timer1 Prescaler

Timer1 has four prescaler options allowing 1, 2, 4 or 8 divisions of the clock input. The T1CKPS bits of the T1CON register control the prescale counter. The prescale counter is not directly readable or writable; however, the prescaler counter is cleared upon a write to TMR1H or TMR1L.

## 6.4 Timer1 Oscillator

A low-power 32.768 kHz crystal oscillator is built-in between pins OSC1 (input) and OSC2 (amplifier output). The oscillator is enabled by setting the T1OSCEN control bit of the T1CON register. The oscillator will continue to run during Sleep.

The Timer1 oscillator is shared with the system LP oscillator. Thus, Timer1 can use this mode only when the primary system clock is derived from the internal oscillator or when in LP oscillator mode. The user must provide a software time delay to ensure proper oscillator start-up.

TRISA5 and TRISA4 bits are set when the Timer1 oscillator is enabled. RA5 and RA4 bits read as '0' and TRISA5 and TRISA4 bits read as '1'.

**Note:** The oscillator requires a start-up and stabilization time before use. Thus, T1OSCEN should be set and a suitable delay observed prior to enabling Timer1.

## 6.5 Timer1 Operation in Asynchronous Counter Mode

If control bit  $\overline{T1SYNC}$  of the T1CON register is set, the external clock input is not synchronized. The timer continues to increment asynchronous to the internal phase clocks. The timer will continue to run during Sleep and can generate an interrupt on overflow, which will wake-up the processor. However, special precautions in software are needed to read/write the timer (see **Section 6.5.1 "Reading and Writing Timer1 in Asynchronous Counter Mode"**).

**Note:** When switching from synchronous to asynchronous operation, it is possible to skip an increment. When switching from asynchronous to synchronous operation, it is possible to produce a single spurious increment.

### 6.5.1 READING AND WRITING TIMER1 IN ASYNCHRONOUS COUNTER MODE

Reading TMR1H or TMR1L while the timer is running from an external asynchronous clock will ensure a valid read (taken care of in hardware). However, the user should keep in mind that reading the 16-bit timer in two 8-bit values itself, poses certain problems, since the timer may overflow between the reads.

For writes, it is recommended that the user simply stop the timer and write the desired values. A write contention may occur by writing to the timer registers, while the register is incrementing. This may produce an unpredictable value in the TMR1H:TMR1L register pair.

## 6.6 Timer1 Gate

Timer1 gate source is software configurable to be the  $\overline{T1G}$  pin or the output of Comparator 2. This allows the device to directly time external events using  $\overline{T1G}$  or analog events using Comparator 2. See the CMCON1 register (Register 7-3) for selecting the Timer1 gate source. This feature can simplify the software for a Delta-Sigma A/D converter and many other applications. For more information on Delta-Sigma A/D converters, see the Microchip web site ([www.microchip.com](http://www.microchip.com)).

**Note:** TMR1GE bit of the T1CON register must be set to use either  $\overline{T1G}$  or C2OUT as the Timer1 gate source. See Register 7-3 for more information on selecting the Timer1 gate source.

Timer1 gate can be inverted using the T1GINV bit of the T1CON register, whether it originates from the  $\overline{T1G}$  pin or Comparator 2 output. This configures Timer1 to measure either the active-high or active-low time between events.

## 6.7 Timer1 Interrupt

The Timer1 register pair (TMR1H:TMR1L) increments to FFFFh and rolls over to 0000h. When Timer1 rolls over, the Timer1 interrupt flag bit of the PIR1 register is set. To enable the interrupt on rollover, you must set these bits:

- Timer1 interrupt enable bit of the PIE1 register
- PEIE bit of the INTCON register
- GIE bit of the INTCON register

The interrupt is cleared by clearing the TMR1IF bit in the Interrupt Service Routine.

**Note:** The TMR1H:TMR1L register pair and the TMR1IF bit should be cleared before enabling interrupts.

## 6.8 Timer1 Operation During Sleep

Timer1 can only operate during Sleep when setup in Asynchronous Counter mode. In this mode, an external crystal or clock source can be used to increment the counter. To set up the timer to wake the device:

- TMR1ON bit of the T1CON register must be set
- TMR1IE bit of the PIE1 register must be set
- PEIE bit of the INTCON register must be set

The device will wake-up on an overflow and execute the next instruction. If the GIE bit of the INTCON register is set, the device will call the Interrupt Service Routine (0004h).

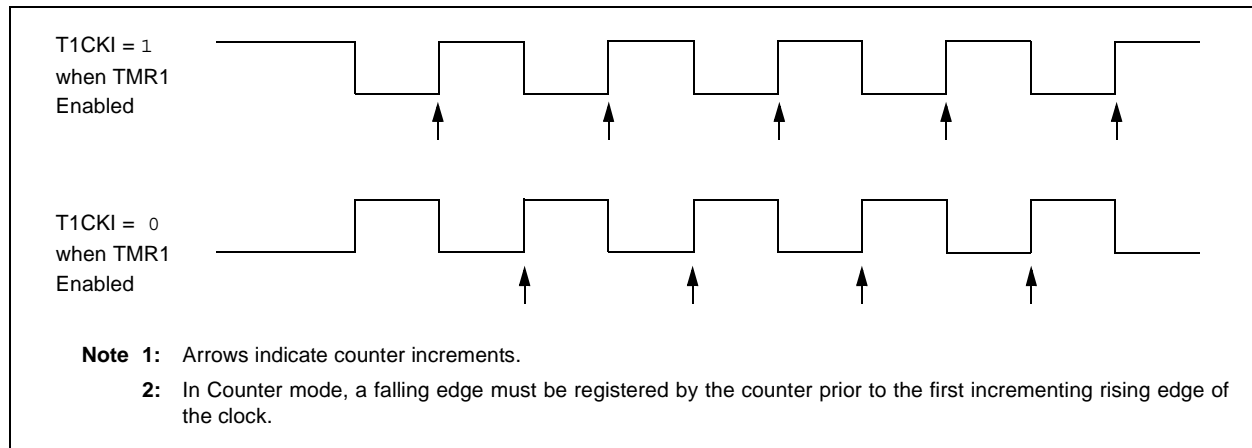
## 6.9 Comparator Synchronization

The same clock used to increment Timer1 can also be used to synchronize the comparator output. This feature is enabled in the Comparator module.

When using the comparator for Timer1 gate, the comparator output should be synchronized to Timer1. This ensures Timer1 does not miss an increment if the comparator changes.

For more information, see **Section 7.0 “Comparator Module”**.

**FIGURE 6-2: TIMER1 INCREMENTING EDGE**



# PIC12F635/PIC16F636/639

## 6.10 Timer1 Control Register

The Timer1 Control register (T1CON), shown in Register 6-1, is used to control Timer1 and select the various features of the Timer1 module.

**REGISTER 6-1: T1CON: TIMER 1 CONTROL REGISTER**

| R/W-0                 | R/W-0                 | R/W-0   | R/W-0   | R/W-0   | R/W-0               | R/W-0  | R/W-0  |
|-----------------------|-----------------------|---------|---------|---------|---------------------|--------|--------|
| T1GINV <sup>(1)</sup> | TMR1GE <sup>(2)</sup> | T1CKPS1 | T1CKPS0 | T1OSCEN | $\overline{T1SYNC}$ | TMR1CS | TMR1ON |
| bit 7                 |                       |         |         |         |                     |        | bit 0  |

**Legend:**

|                   |                  |                                    |
|-------------------|------------------|------------------------------------|
| R = Readable bit  | W = Writable bit | U = Unimplemented bit, read as '0' |
| -n = Value at POR | '1' = Bit is set | '0' = Bit is cleared               |
|                   |                  | x = Bit is unknown                 |

- bit 7      **T1GINV:** Timer1 Gate Invert bit<sup>(1)</sup>  
 1 = Timer1 gate is active-high (Timer1 counts when gate is high)  
 0 = Timer1 gate is active-low (Timer1 counts when gate is low)
- bit 6      **TMR1GE:** Timer1 Gate Enable bit<sup>(2)</sup>  
If TMR1ON = 0:  
 This bit is ignored  
If TMR1ON = 1:  
 1 = Timer1 is on if Timer1 gate is active  
 0 = Timer1 is on
- bit 5-4    **T1CKPS<1:0>:** Timer1 Input Clock Prescale Select bits  
 11 = 1:8 Prescale Value  
 10 = 1:4 Prescale Value  
 01 = 1:2 Prescale Value  
 00 = 1:1 Prescale Value
- bit 3      **T1OSCEN:** LP Oscillator Enable Control bit  
If INTOSC without CLKOUT oscillator is active:  
 1 = LP oscillator is enabled for Timer1 clock  
 0 = LP oscillator is off  
Else:  
 This bit is ignored. LP oscillator is disabled.
- bit 2       **$\overline{T1SYNC}$ :** Timer1 External Clock Input Synchronization Control bit  
TMR1CS = 1:  
 1 = Do not synchronize external clock input  
 0 = Synchronize external clock input  
TMR1CS = 0:  
 This bit is ignored. Timer1 uses the internal clock
- bit 1      **TMR1CS:** Timer1 Clock Source Select bit  
 1 = External clock from T1CKI pin (on the rising edge)  
 0 = Internal clock (FOSC/4)
- bit 0      **TMR1ON:** Timer1 On bit  
 1 = Enables Timer1  
 0 = Stops Timer1

**Note 1:** T1GINV bit inverts the Timer1 gate logic, regardless of source.  
**Note 2:** TMR1GE bit must be set to use either  $\overline{T1G}$  pin or C2OUT, as selected by the T1GSS bit of the CMCON1 register, as a Timer1 gate source.

# PIC12F635/PIC16F636/639

**TABLE 6-1: SUMMARY OF REGISTERS ASSOCIATED WITH TIMER1**

| Name   | Bit 7   | Bit 6  | Bit 5   | Bit 4               | Bit 3   | Bit 2               | Bit 1  | Bit 0  | Value on POR, BOR | Value on all other Resets |
|--------|---|--------|---------|---------------------|---------|---------------------|--------|--------|-------------------|---------------------------|
| CMCON1 | —   | —      | —       | —                   | —       | —                   | T1GSS  | CMSYNC | ---- --10         | 00-- --10                 |
| INTCON | GIE   | PEIE   | T0IE    | INTE                | RAIE    | T0IF                | INTF   | RAIF   | 0000 000x         | 0000 000x                 |
| PIE1   | EEIE  | LVDIE  | CRIE    | C2IE <sup>(1)</sup> | C1IE    | OSFIE               | —      | TMR1IE | 000- 00-0         | 000- 00-0                 |
| PIR1   | EEIF  | LVDIF  | CRIF    | C2IF <sup>(1)</sup> | C1IF    | OSFIF               | —      | TMR1IF | 000- 00-0         | 000- 00-0                 |
| TMR1H  | Holding Register for the Most Significant Byte of the 16-bit TMR1 Register  |        |         |                     |         |                     |        |        | xxxx xxxxx        | uuuu uuuu                 |
| TMR1L  | Holding Register for the Least Significant Byte of the 16-bit TMR1 Register |        |         |                     |         |                     |        |        | xxxx xxxxx        | uuuu uuuu                 |
| T1CON  | T1GINV  | TMR1GE | T1CKPS1 | T1CKPS0             | T1OSCEN | $\overline{T1SYNC}$ | TMR1CS | TMR1ON | 0000 0000         | uuuu uuuu                 |

**Legend:** x = unknown, u = unchanged, - = unimplemented, read as '0'. Shaded cells are not used by the Timer1 module.

**Note 1:** PIC16F636/639 only.

# PIC12F635/PIC16F636/639

---

NOTES:



# PIC12F635/PIC16F636/639

## 7.0 COMPARATOR MODULE

Comparators are used to interface analog circuits to a digital circuit by comparing two analog voltages and providing a digital indication of their relative magnitudes. The comparators are very useful mixed signal building blocks because they provide analog functionality independent of the program execution. The Analog Comparator module includes the following features:

- Dual comparators (PIC16F636/639 only)
- Multiple comparator configurations
- Comparator(s) output is available internally/externally
- Programmable output polarity
- Interrupt-on-change
- Wake-up from Sleep
- Timer1 gate (count enable)
- Output synchronization to Timer1 clock input
- Programmable voltage reference

### 7.1 Comparator Overview

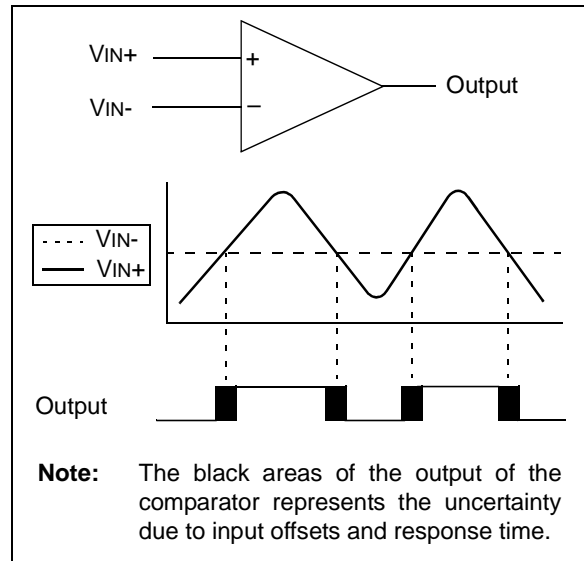
A comparator is shown in Figure 7-1 along with the relationship between the analog input levels and the digital output. When the analog voltage at  $V_{IN+}$  is less than the analog voltage at  $V_{IN-}$ , the output of the

comparator is a digital low level. When the analog voltage at  $V_{IN+}$  is greater than the analog voltage at  $V_{IN-}$ , the output of the comparator is a digital high level.

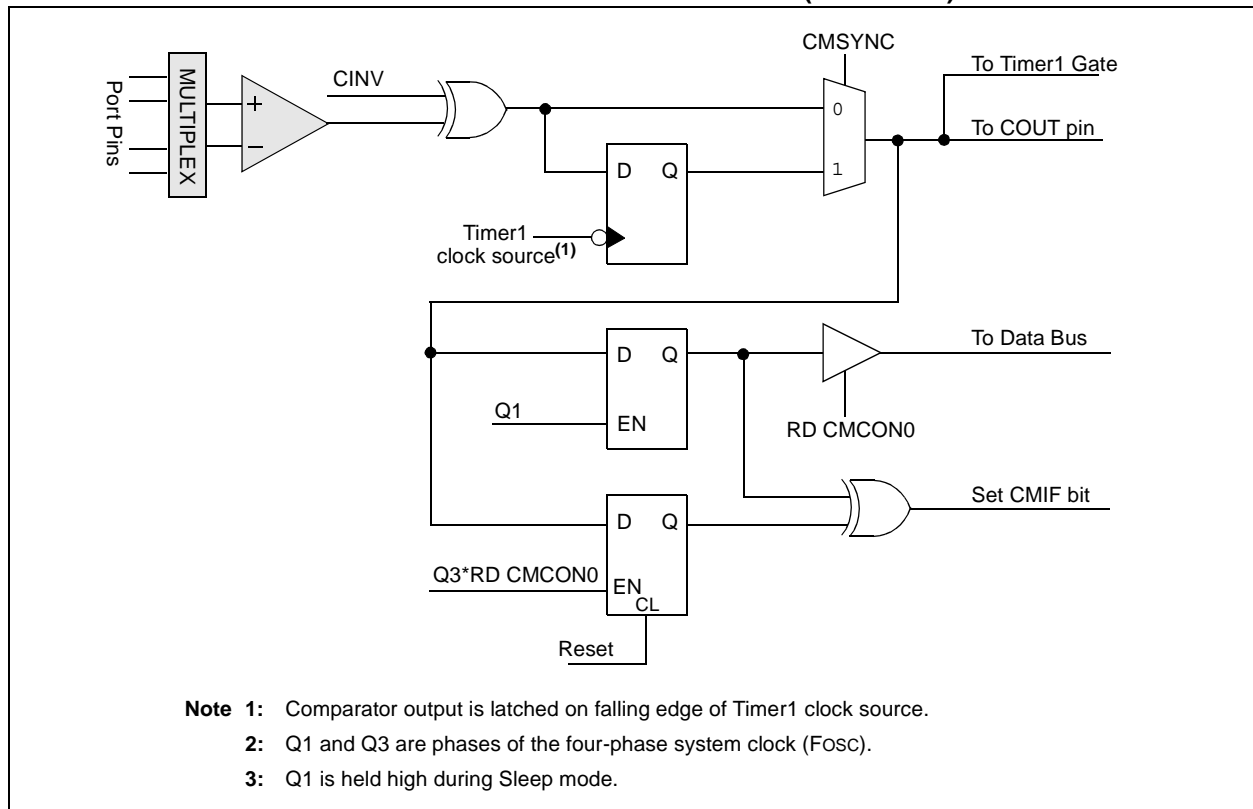
The PIC12F635 contains a single comparator as shown in Figure 7-2.

The PIC16F636/639 devices contains two comparators as shown in Figure 7-3 and Figure 7-4. The comparators are not independently configurable.

**FIGURE 7-1: SINGLE COMPARATOR**

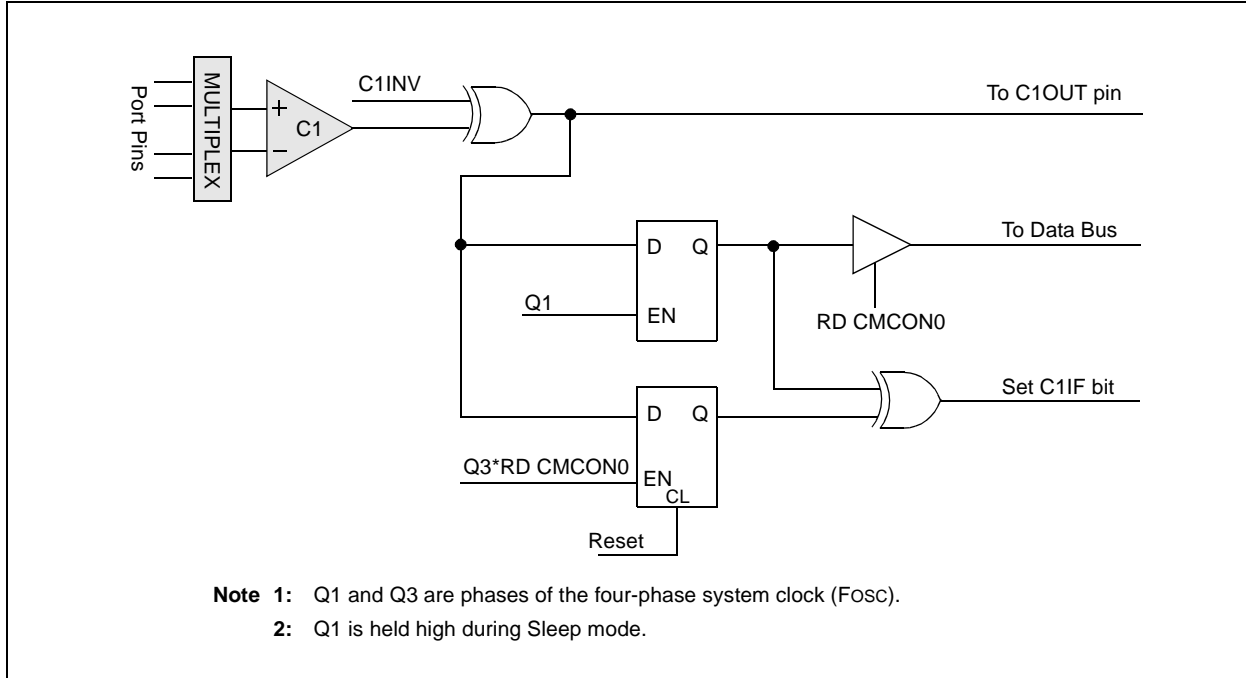


**FIGURE 7-2: COMPARATOR OUTPUT BLOCK DIAGRAM (PIC12F635)**

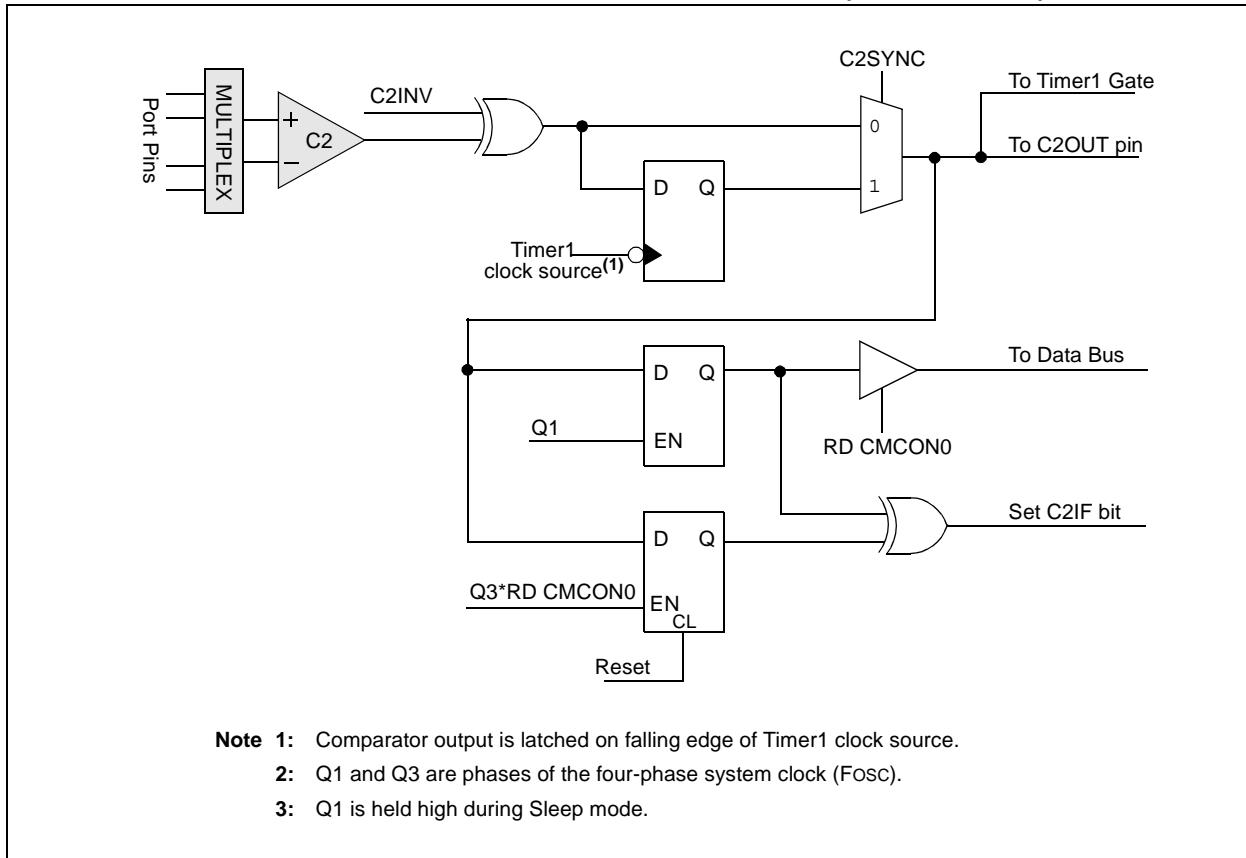


# PIC12F635/PIC16F636/639

**FIGURE 7-3: COMPARATOR C1 OUTPUT BLOCK DIAGRAM (PIC16F636/639)**



**FIGURE 7-4: COMPARATOR C2 OUTPUT BLOCK DIAGRAM (PIC16F636/639)**



## 7.2 Analog Input Connection Considerations

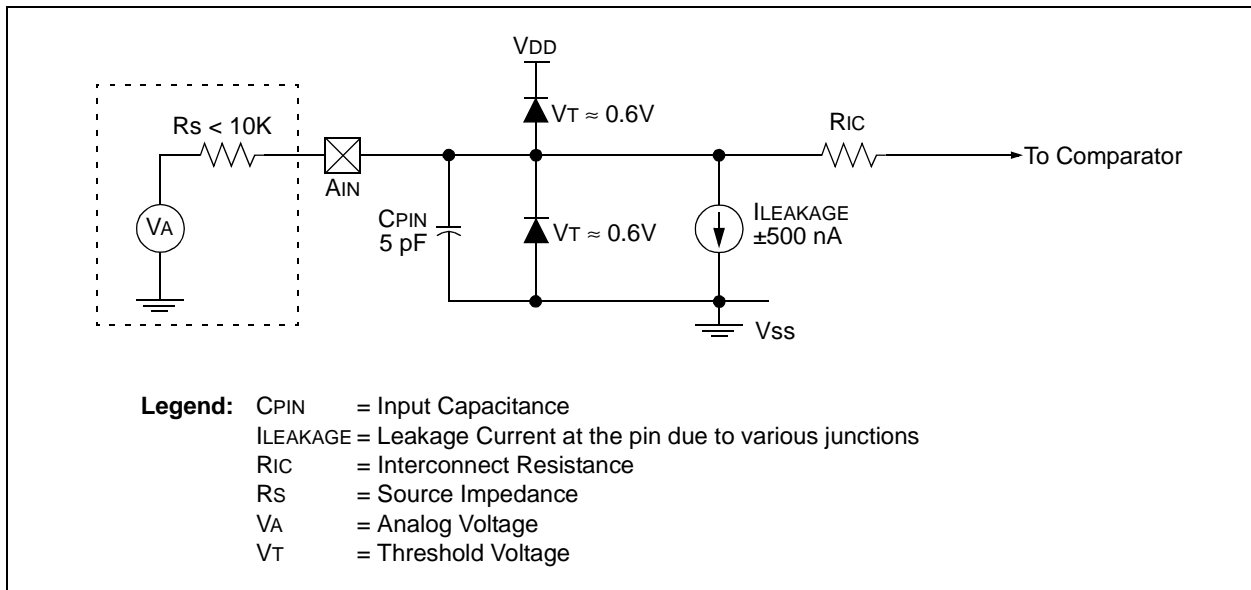
A simplified circuit for an analog input is shown in Figure 7-5. Since the analog input pins share their connection with a digital input, they have reverse biased ESD protection diodes to  $V_{DD}$  and  $V_{SS}$ . The analog input, therefore, must be between  $V_{SS}$  and  $V_{DD}$ . If the input voltage deviates from this range by more than 0.6V in either direction, one of the diodes is forward biased and a latch-up may occur.

A maximum source impedance of 10 k $\Omega$  is recommended for the analog sources. Also, any external component connected to an analog input pin, such as a capacitor or a Zener diode, should have very little leakage current to minimize inaccuracies introduced.

**Note 1:** When reading a PORT register, all pins configured as analog inputs will read as a '0'. Pins configured as digital inputs will convert as an analog input, according to the input specification.

**2:** Analog levels on any pin defined as a digital input, may cause the input buffer to consume more current than is specified.

**FIGURE 7-5: ANALOG INPUT MODEL**



# PIC12F635/PIC16F636/639

## 7.3 Comparator Configuration

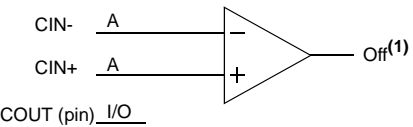
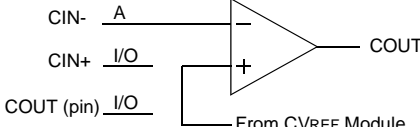
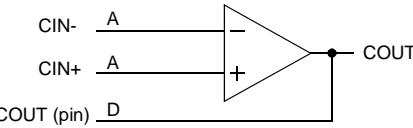
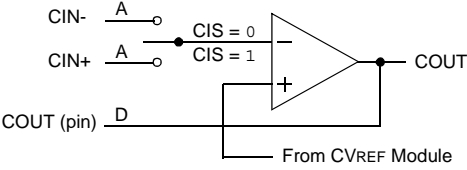
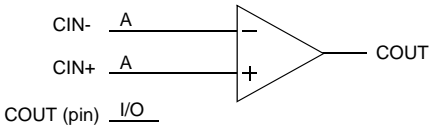
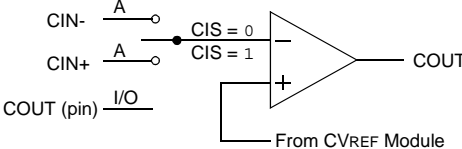
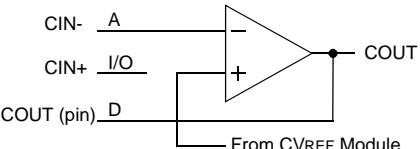
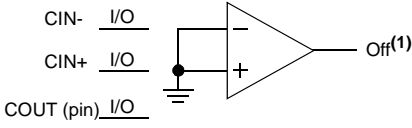
There are eight modes of operation for the comparator. The CM<2:0> bits of the CMCON0 register are used to select these modes as shown in Figures 7-6 and 7-7. I/O lines change as a function of the mode and are designed as follows:

- Analog function (A): digital input buffer is disabled
- Digital function (D): comparator digital output, overrides port function
- Normal port function (I/O): independent of comparator

The port pins denoted as “A” will read as a ‘0’ regardless of the state of the I/O pin or the I/O control TRIS bit. Pins used as analog inputs should also have the corresponding TRIS bit set to ‘1’ to disable the digital output driver. Pins denoted as “D” should have the corresponding TRIS bit set to ‘0’ to enable the digital output driver.

**Note:** Comparator interrupts should be disabled during a Comparator mode change to prevent unintended interrupts.

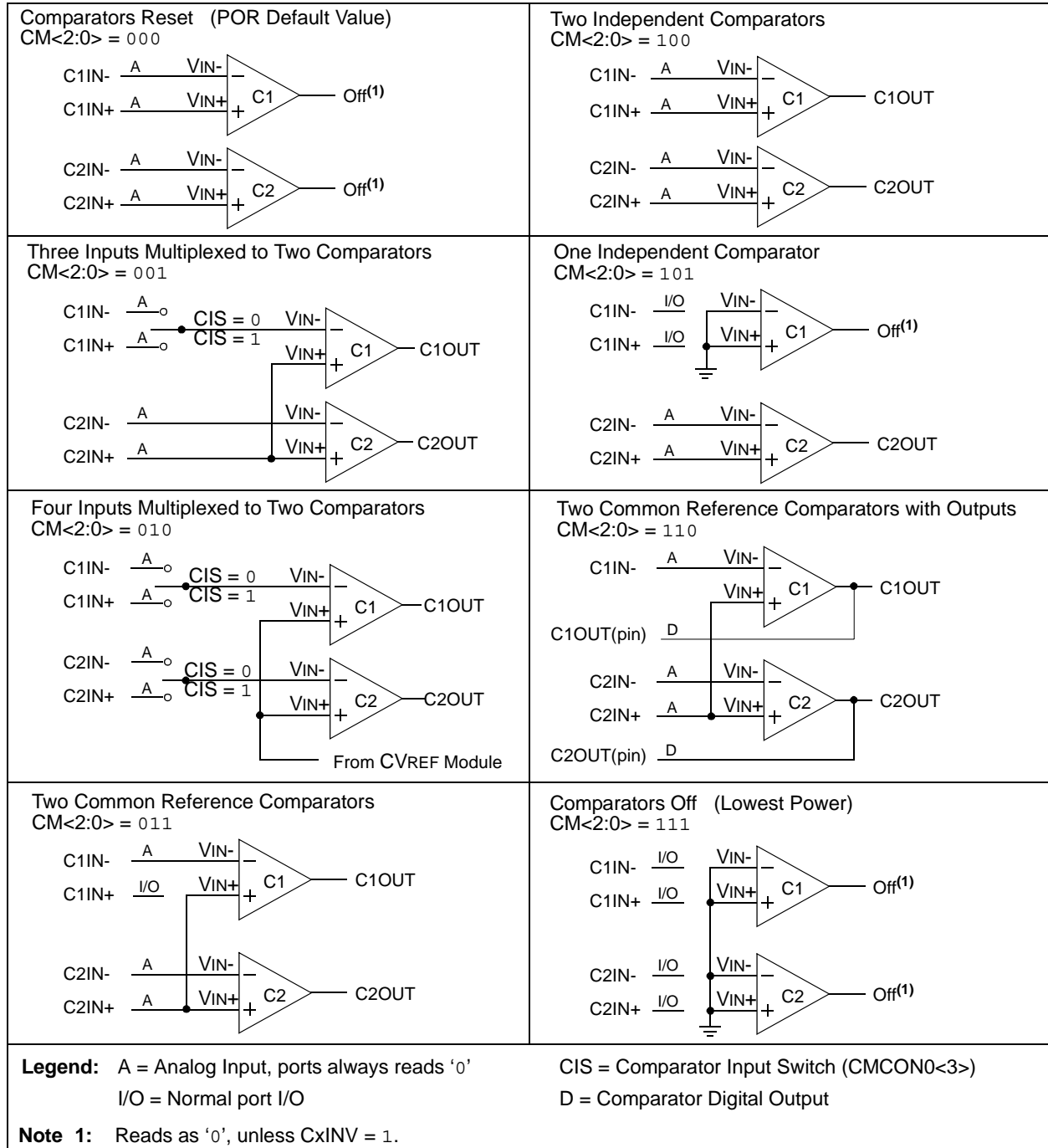
**FIGURE 7-6: COMPARATOR I/O OPERATING MODES (PIC12F635)**

|   |  |
|---|--|
| <p>Comparator Reset (POR Default Value – low power)<br/>CM&lt;2:0&gt; = 000</p>  | <p>Comparator w/o Output and with Internal Reference<br/>CM&lt;2:0&gt; = 100</p>       |
| <p>Comparator with Output<br/>CM&lt;2:0&gt; = 001</p>                          | <p>Multiplexed Input with Internal Reference and Output<br/>CM&lt;2:0&gt; = 101</p>  |
| <p>Comparator without Output<br/>CM&lt;2:0&gt; = 010</p>                       | <p>Multiplexed Input with Internal Reference<br/>CM&lt;2:0&gt; = 110</p>             |
| <p>Comparator with Output and Internal Reference<br/>CM&lt;2:0&gt; = 011</p>   | <p>Comparator Off (Lowest power)<br/>CM&lt;2:0&gt; = 111</p>                         |
| <p><b>Legend:</b> A = Analog Input, ports always reads ‘0’<br/>I/O = Normal port I/O</p>  | <p>CIS = Comparator Input Switch (CMCON0&lt;3&gt;)<br/>D = Comparator Digital Output</p>   |

**Note 1:** Reads as ‘0’, unless CINV = 1.

# PIC12F635/PIC16F636/639

**FIGURE 7-7: COMPARATOR I/O OPERATING MODES (PIC16F636/639)**



# PIC12F635/PIC16F636/639

## 7.4 Comparator Control

The CMCON0 register (Register 7-1) provides access to the following comparator features:

- Mode selection
- Output state
- Output polarity
- Input switch

### 7.4.1 COMPARATOR OUTPUT STATE

Each comparator state can always be read internally via the CxOUT bit of the CMCON0 register. The comparator state may also be directed to the CxOUT pin in the following modes:

#### PIC12F635

- CM<2:0> = 001
- CM<2:0> = 011
- CM<2:0> = 101

#### PIC16F636/639

- CM<2:0> = 110

When one of the above modes is selected, the associated TRIS bit of the CxOUT pin must be cleared.

### 7.4.2 COMPARATOR OUTPUT POLARITY

Inverting the output of a comparator is functionally equivalent to swapping the comparator inputs. The polarity of a comparator output can be inverted by setting the CxINV bit of the CMCON0 register. Clearing CxINV results in a non-inverted output. A complete table showing the output state versus input conditions and the polarity bit is shown in Table 7-1.

**TABLE 7-1: OUTPUT STATE VS. INPUT CONDITIONS**

| Input Conditions                    | CxINV | CxOUT |
|-------------------------------------|-------|-------|
| V <sub>IN-</sub> > V <sub>IN+</sub> | 0     | 0     |
| V <sub>IN-</sub> < V <sub>IN+</sub> | 0     | 1     |
| V <sub>IN-</sub> > V <sub>IN+</sub> | 1     | 1     |
| V <sub>IN-</sub> < V <sub>IN+</sub> | 1     | 0     |

**Note:** CxOUT refers to both the register bit and output pin.

### 7.4.3 COMPARATOR INPUT SWITCH

The inverting input of the comparators may be switched between two analog pins in the following modes:

#### PIC12F635

- CM<2:0> = 101
- CM<2:0> = 110

#### PIC16F636/639

- CM<2:0> = 001 (Comparator C1 only)
- CM<2:0> = 010 (Comparators C1 and C2)

In the above modes, both pins remain in Analog mode regardless of which pin is selected as the input. The CIS bit of the CMCON0 register controls the comparator input switch.

## 7.5 Comparator Response Time

The comparator output is indeterminate for a period of time after the change of an input source or the selection of a new reference voltage. This period is referred to as the response time. The response time of the comparator differs from the settling time of the voltage reference. Therefore, both of these times must be considered when determining the total response time to a comparator input change. See the Comparator and Voltage Specifications in **Section 15.0 “Electrical Specifications”** for more details.

## 7.6 Comparator Interrupt Operation

The comparator interrupt flag is set whenever there is a change in the output value of the comparator. Changes are recognized by means of a mismatch circuit which consists of two latches and an exclusive-or gate (see Figures 7-8 and 7-9). One latch is updated with the comparator output level when the CMCON0 register is read. This latch retains the value until the next read of the CMCON0 register or the occurrence of a Reset. The other latch of the mismatch circuit is updated on every Q1 system clock. A mismatch condition will occur when a comparator output change is clocked through the second latch on the Q1 clock cycle. The mismatch condition will persist, holding the CxIF bit of the PIR1 register true, until either the CMCON0 register is read or the comparator output returns to the previous state.

**Note:** A write operation to the CMCON0 register will also clear the mismatch condition because all writes include a read operation at the beginning of the write cycle.

Software will need to maintain information about the status of the comparator output to determine the actual change that has occurred.

The CxIF bit of the PIR1 register, is the comparator interrupt flag. This bit must be reset in software by clearing it to '0'. Since it is also possible to write a '1' to this register, a simulated interrupt may be initiated.

The CxIE bit of the PIE1 register and the PEIE and GIE bits of the INTCON register must all be set to enable comparator interrupts. If any of these bits are cleared, the interrupt is not enabled, although the CxIF bit of the PIR1 register will still be set if an interrupt condition occurs.

The user, in the Interrupt Service Routine, can clear the interrupt in the following manner:

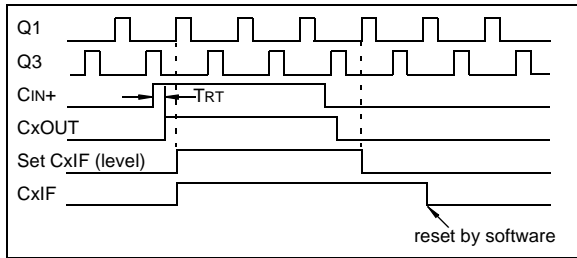
- a) Any read or write of CMCON0. This will end the mismatch condition. See Figures 7-8 and 7-9.
- b) Clear the CxIF interrupt flag.

A persistent mismatch condition will preclude clearing the CxIF interrupt flag. Reading CMCON0 will end the mismatch condition and allow the CxIF bit to be cleared.

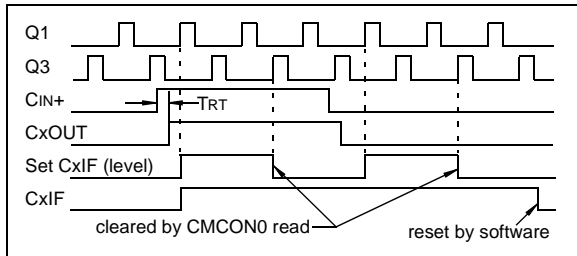
**Note:** If a change in the CMCON0 register (CxOUT) should occur when a read operation is being executed (start of the Q2 cycle), then the CxIF interrupt flag may not get set.

# PIC12F635/PIC16F636/639

**FIGURE 7-8: COMPARATOR INTERRUPT TIMING W/O CMCON0 READ**



**FIGURE 7-9: COMPARATOR INTERRUPT TIMING WITH CMCON0 READ**



**Note 1:** If a change in the CMCON0 register (CxOUT) should occur when a read operation is being executed (start of the Q2 cycle), then the CxIF of the PIR1 register interrupt flag may not get set.

**2:** When either comparator is first enabled, bias circuitry in the Comparator module may cause an invalid output from the comparator until the bias circuitry is stable. Allow about 1  $\mu$ s for bias settling then clear the mismatch condition and interrupt flags before enabling comparator interrupts.



## 7.7 Operation During Sleep

The comparator, if enabled before entering Sleep mode, remains active during Sleep. The additional current consumed by the comparator is shown separately in the **Section 15.0 “Electrical Specifications”**. If the comparator is not used to wake the device, power consumption can be minimized while in Sleep mode by turning off the comparator. The comparator is turned off by selecting mode  $CM\langle 2:0 \rangle = 000$  or  $CM\langle 2:0 \rangle = 111$  of the CMCON0 register.

A change to the comparator output can wake-up the device from Sleep. To enable the comparator to wake the device from Sleep, the CxIE bit of the PIE1 register and the PEIE bit of the INTCON register must be set. The instruction following the Sleep instruction always executes following a wake from Sleep. If the GIE bit of the INTCON register is also set, the device will then execute the Interrupt Service Routine.

## 7.8 Effects of a Reset

A device Reset forces the CMCON0 and CMCON1 registers to their Reset states. This forces the Comparator module to be in the Comparator Reset mode ( $CM\langle 2:0 \rangle = 000$ ). Thus, all comparator inputs are analog inputs with the comparator disabled to consume the smallest current possible.

**REGISTER 7-1: CMCON0: COMPARATOR CONFIGURATION REGISTER (PIC12F635)**

|       |      |     |       |       |       |       |       |
|-------|------|-----|-------|-------|-------|-------|-------|
| U-0   | R-0  | U-0 | R/W-0 | R/W-0 | R/W-0 | R/W-0 | R/W-0 |
| —     | COUT | —   | CINV  | CIS   | CM2   | CM1   | CM0   |
| bit 7 |      |     |       |       |       |       | bit 0 |

**Legend:**

|                   |                  |                                    |
|-------------------|------------------|------------------------------------|
| R = Readable bit  | W = Writable bit | U = Unimplemented bit, read as '0' |
| -n = Value at POR | '1' = Bit is set | '0' = Bit is cleared               |
|                   |                  | x = Bit is unknown                 |

|         |   |
|---------|---|
| bit 7   | <b>Unimplemented:</b> Read as '0'   |
| bit 6   | <b>COUT:</b> Comparator Output bit<br><u>When CINV = 0:</u><br>1 = $V_{IN+} > V_{IN-}$<br>0 = $V_{IN+} < V_{IN-}$<br><u>When CINV = 1:</u><br>1 = $V_{IN+} < V_{IN-}$<br>0 = $V_{IN+} > V_{IN-}$  |
| bit 5   | <b>Unimplemented:</b> Read as '0'   |
| bit 4   | <b>CINV:</b> Comparator Output Inversion bit<br>1 = Output inverted<br>0 = Output not inverted  |
| bit 3   | <b>CIS:</b> Comparator Input Switch bit<br><u>When <math>CM\langle 2:0 \rangle = 110</math> or <math>101</math>:</u><br>1 = CIN+ connects to $V_{IN-}$<br>0 = CIN- connects to $V_{IN-}$<br><u>When <math>CM\langle 2:0 \rangle = 0xx</math> or <math>100</math> or <math>111</math>:</u><br>CIS has no effect.   |
| bit 2-0 | <b>CM&lt;2:0&gt;:</b> Comparator Mode bits (See Figure 7-5)<br>000 = CIN pins are configured as analog, COUT pin configured as I/O, Comparator output turned off<br>001 = CIN pins are configured as analog, COUT pin configured as Comparator output<br>010 = CIN pins are configured as analog, COUT pin configured as I/O, Comparator output available internally<br>011 = CIN- pin is configured as analog, CIN+ pin is configured as I/O, COUT pin configured as Comparator output, CVREF is non-inverting input<br>100 = CIN- pin is configured as analog, CIN+ pin is configured as I/O, COUT pin is configured as I/O, Comparator output available internally, CVREF is non-inverting input<br>101 = CIN pins are configured as analog and multiplexed, COUT pin is configured as Comparator output, CVREF is non-inverting input<br>110 = CIN pins are configured as analog and multiplexed, COUT pin is configured as I/O, Comparator output available internally, CVREF is non-inverting input<br>111 = CIN pins are configured as I/O, COUT pin is configured as I/O, Comparator output disabled, Comparator off. |

# PIC12F635/PIC16F636/639

**REGISTER 7-2: CMCON0: COMPARATOR CONFIGURATION REGISTER (PIC16F636/639)**

|       |       |       |       |       |       |       |       |
|-------|-------|-------|-------|-------|-------|-------|-------|
| R-0   | R-0   | R/W-0 | R/W-0 | R/W-0 | R/W-0 | R/W-0 | R/W-0 |
| C2OUT | C1OUT | C2INV | C1INV | CIS   | CM2   | CM1   | CM0   |
| bit 7 |       |       |       |       |       |       | bit 0 |

**Legend:**

R = Readable bit                      W = Writable bit                      U = Unimplemented bit, read as '0'  
 -n = Value at POR                      '1' = Bit is set                      '0' = Bit is cleared                      x = Bit is unknown

- bit 7            **C2OUT:** Comparator 2 Output bit  
                   When C2INV = 0:  
                   1 = C2 VIN+ > C2 VIN-  
                   0 = C2 VIN+ < C2 VIN-  
                   When C2INV = 1:  
                   1 = C2 VIN+ < C2 VIN-  
                   0 = C2 VIN+ > C2 VIN-
- bit 6            **C1OUT:** Comparator 1 Output bit  
                   When C1INV = 0:  
                   1 = C1 VIN+ > C1 VIN-  
                   0 = C1 VIN+ < C1 VIN-  
                   When C1INV = 1:  
                   1 = C1 VIN+ < C1 VIN-  
                   0 = C1 VIN+ > C1 VIN-
- bit 5            **C2INV:** Comparator 2 Output Inversion bit  
                   1 = C2 output inverted  
                   0 = C2 output not inverted
- bit 4            **C1INV:** Comparator 1 Output Inversion bit  
                   1 = C1 Output inverted  
                   0 = C1 Output not inverted
- bit 3            **CIS:** Comparator Input Switch bit  
                   When CM<2:0> = 010:  
                   1 = C1IN+ connects to C1 VIN-  
                           C2IN+ connects to C2 VIN-  
                   0 = C1IN- connects to C1 VIN-  
                           C2IN- connects to C2 VIN-  
                   When CM<2:0> = 001:  
                   1 = C1IN+ connects to C1 VIN-  
                   0 = C1IN- connects to C1 VIN-
- bit 2-0        **CM<2:0>:** Comparator Mode bits (See Figure 7-5)  
                   000 = Comparators off. CxIN pins are configured as analog  
                   001 = Three inputs multiplexed to two comparators  
                   010 = Four inputs multiplexed to two comparators  
                   011 = Two common reference comparators  
                   100 = Two independent comparators  
                   101 = One independent comparator  
                   110 = Two comparators with outputs and common reference  
                   111 = Comparators off. CxIN pins are configured as digital I/O

## 7.9 Comparator Gating Timer1

This feature can be used to time the duration or interval of analog events. Clearing the T1GSS bit of the CMCON1 register will enable Timer1 to increment based on the output of the comparator (or Comparator C2 for PIC16F636/639). This requires that Timer1 is on and gating is enabled. See **Section 6.0 “Timer1 Module with Gate Control”** for details.

It is recommended to synchronize the comparator with Timer1 by setting the CxSYNC bit when the comparator is used as the Timer1 gate source. This ensures Timer1 does not miss an increment if the comparator changes during an increment.

**Note:** References to the comparator in this section specifically are referring to Comparator C2 on the PIC16F636/639.

## 7.10 Synchronizing Comparator Output to Timer1

The comparator (or Comparator C2 for PIC16F636/639) output can be synchronized with Timer1 by setting the CxSYNC bit of the CMCON1 register. When enabled, the comparator output is latched on the falling edge of the Timer1 clock source. If a prescaler is used with Timer1, the comparator output is latched after the prescaling function. To prevent a race condition, the comparator output is latched on the falling edge of the Timer1 clock source and Timer1 increments on the rising edge of its clock source. See the Comparator Block Diagram (Figure 7-2) and the Timer1 Block Diagram (Figure 6-1) for more information.

**Note:** References to the comparator in this section specifically are referring to Comparator C2 on the PIC16F636/639.

# PIC12F635/PIC16F636/639

**REGISTER 7-3: CMCON1: COMPARATOR CONFIGURATION REGISTER (PIC12F635)**

|       |     |     |     |     |     |       |        |
|-------|-----|-----|-----|-----|-----|-------|--------|
| U-0   | U-0 | U-0 | U-0 | U-0 | U-0 | R/W-1 | R/W-0  |
| —     | —   | —   | —   | —   | —   | T1GSS | CMSYNC |
| bit 7 |     |     |     |     |     |       | bit 0  |

**Legend:**

R = Readable bit                      W = Writable bit                      U = Unimplemented bit, read as '0'  
-n = Value at POR                      '1' = Bit is set                      '0' = Bit is cleared                      x = Bit is unknown

- bit 7-2            **Unimplemented:** Read as '0'
- bit 1            **T1GSS:** Timer1 Gate Source Select bit<sup>(1)</sup>  
1 = Timer1 Gate Source is  $\overline{T1G}$  pin (pin should be configured as digital input)  
0 = Timer1 Gate Source is comparator output
- bit 0            **CMSYNC:** Comparator Output Synchronization bit<sup>(2)</sup>  
1 = Output is synchronized with falling edge of Timer1 clock  
0 = Output is asynchronous

- Note 1:** Refer to **Section 6.6 “Timer1 Gate”**.  
**2:** Refer to Figure 7-2.

**REGISTER 7-4: CMCON1: COMPARATOR CONFIGURATION REGISTER (PIC16F636/639)**

|       |     |     |     |     |     |       |        |
|-------|-----|-----|-----|-----|-----|-------|--------|
| U-0   | U-0 | U-0 | U-0 | U-0 | U-0 | R/W-1 | R/W-0  |
| —     | —   | —   | —   | —   | —   | T1GSS | C2SYNC |
| bit 7 |     |     |     |     |     |       | bit 0  |

**Legend:**

R = Readable bit                      W = Writable bit                      U = Unimplemented bit, read as '0'  
-n = Value at POR                      '1' = Bit is set                      '0' = Bit is cleared                      x = Bit is unknown

- bit 7-2            **Unimplemented:** Read as '0'
- bit 1            **T1GSS:** Timer1 Gate Source Select bit<sup>(1)</sup>  
1 = Timer1 gate source is  $\overline{T1G}$  pin (pin should be configured as digital input)  
0 = Timer1 gate source is Comparator C2 output
- bit 0            **C2SYNC:** Comparator C2 Output Synchronization bit<sup>(2)</sup>  
1 = Output is synchronized with falling edge of Timer1 clock  
0 = Output is asynchronous

- Note 1:** Refer to **Section 6.6 “Timer1 Gate”**.  
**2:** Refer to Figure 7-4.

## 7.11 Comparator Voltage Reference

The Comparator Voltage Reference module provides an internally generated voltage reference for the comparators. The following features are available:

- Independent from Comparator operation
- Two 16-level voltage ranges
- Output clamped to V<sub>SS</sub>
- Ratiometric with V<sub>DD</sub>
- Fixed Voltage Reference

The VRCON register (Register 7-5) controls the Voltage Reference module shown in Figure 7-10.

### 7.11.1 INDEPENDENT OPERATION

The comparator voltage reference is independent of the comparator configuration. Setting the VREN bit of the VRCON register will enable the voltage reference.

### 7.11.2 OUTPUT VOLTAGE SELECTION

The CVREF voltage reference has 2 ranges with 16 voltage levels in each range. Range selection is controlled by the VRR bit of the VRCON register. The 16 levels are set with the VR<3:0> bits of the VRCON register.

The CVREF output voltage is determined by the following equations:

#### EQUATION 7-1: CVREF OUTPUT VOLTAGE (INTERNAL CVREF)

$$\begin{aligned}
 &VRR = 1 \text{ (low range):} \\
 &CVREF = (VR<3:0>/24) \times VDD \\
 &VRR = 0 \text{ (high range):} \\
 &CVREF = (VDD/4) + (VR<3:0> \times VDD/32)
 \end{aligned}$$

#### EQUATION 7-2: CVREF OUTPUT VOLTAGE (EXTERNAL CVREF)

$$\begin{aligned}
 &VRR = 1 \text{ (low range):} \\
 &CVREF = (VR<3:0>/24) \times VLADDER \\
 &VRR = 0 \text{ (high range):} \\
 &CVREF = (VLADDER/4) + (VR<3:0> \times VLADDER/32) \\
 &VLADDER = VDD \text{ or } ([VREF+] - [VREF-]) \text{ or } VREF+
 \end{aligned}$$

The full range of V<sub>SS</sub> to V<sub>DD</sub> cannot be realized due to the construction of the module. See Figure 7-10.

### 7.11.3 OUTPUT CLAMPED TO V<sub>SS</sub>

The CVREF output voltage can be set to V<sub>SS</sub> with no power consumption by configuring VRCON as follows:

- VREN = 0
- VRR = 1
- VR<3:0> = 0000

This allows the comparator to detect a zero-crossing while not consuming additional CVREF module current.

### 7.11.4 OUTPUT RATIOMETRIC TO V<sub>DD</sub>

The comparator voltage reference is V<sub>DD</sub> derived and therefore, the CVREF output changes with fluctuations in V<sub>DD</sub>. The tested absolute accuracy of the Comparator Voltage Reference can be found in **Section 15.0 “Electrical Specifications”**.

# PIC12F635/PIC16F636/639

**REGISTER 7-5: VRCON: VOLTAGE REFERENCE CONTROL REGISTER**

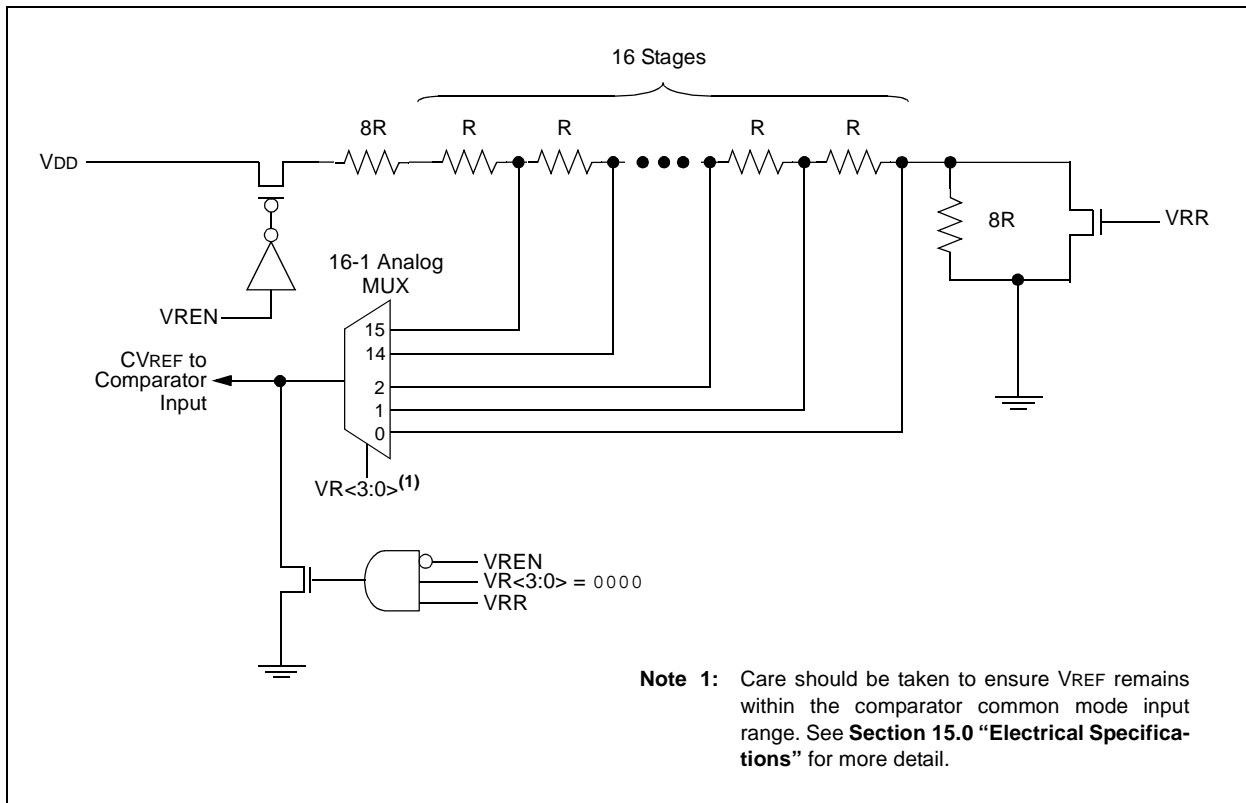
|       |     |       |     |       |       |       |       |
|-------|-----|-------|-----|-------|-------|-------|-------|
| R/W-0 | U-0 | R/W-0 | U-0 | R/W-0 | R/W-0 | R/W-0 | R/W-0 |
| VREN  | —   | VRR   | —   | VR3   | VR2   | VR1   | VR0   |
| bit 7 |     |       |     |       |       |       | bit 0 |

**Legend:**

R = Readable bit                      W = Writable bit                      U = Unimplemented bit, read as '0'  
 -n = Value at POR                      '1' = Bit is set                      '0' = Bit is cleared                      x = Bit is unknown

- bit 7                      **VREN:** CVREF Enable bit  
                             1 = CVREF circuit powered on  
                             0 = CVREF circuit powered down, no IDD drain and CVREF = Vss.
- bit 6                      **Unimplemented:** Read as '0'
- bit 5                      **VRR:** CVREF Range Selection bit  
                             1 = Low range  
                             0 = High range
- bit 4                      **Unimplemented:** Read as '0'
- bit 3-0                      **VR<3:0>:** CVREF Value Selection bits ( $0 \leq VR<3:0> \leq 15$ )  
                             When **VRR = 1**:  $CVREF = (VR<3:0>/24) * VDD$   
                             When **VRR = 0**:  $CVREF = VDD/4 + (VR<3:0>/32) * VDD$

**FIGURE 7-10: COMPARATOR VOLTAGE REFERENCE BLOCK DIAGRAM**



# PIC12F635/PIC16F636/639

**TABLE 7-2: SUMMARY OF REGISTERS ASSOCIATED WITH THE COMPARATOR AND VOLTAGE REFERENCE MODULES**

| Name   | Bit 7 | Bit 6 | Bit 5  | Bit 4  | Bit 3  | Bit 2  | Bit 1  | Bit 0  | Value on POR, BOR | Value on all other Resets |
|--------|-------|-------|--------|--------|--------|--------|--------|--------|-------------------|---------------------------|
| CMCON0 | —     | COUT  | —      | CINV   | CIS    | CM2    | CM1    | CM0    | -0-0 0000         | -0-0 0000                 |
| CMCON1 | —     | —     | —      | —      | —      | —      | T1GSS  | CMSYNC | ---- --10         | ---- --10                 |
| INTCON | GIE   | PEIE  | TOIE   | INTE   | RAIE   | TOIF   | INTF   | RAIF   | 0000 000x         | 0000 000x                 |
| PIE1   | EEIE  | LVDIE | CRIE   | —      | C1IE   | OSFIE  | —      | TMR1IE | 000- 00-0         | 000- 00-0                 |
| PIR1   | EEIF  | LVDIF | CRIF   | —      | C1IF   | OSFIF  | —      | TMR1IF | 000- 00-0         | 000- 00-0                 |
| PORTA  | —     | —     | RA5    | RA4    | RA3    | RA2    | RA1    | RA0    | --xx xxxx         | --uu uuuu                 |
| PORTC  | —     | —     | RC5    | RC4    | RC3    | RC2    | RC1    | RC0    | --xx xxxx         | --uu uuuu                 |
| TRISA  | —     | —     | TRISA5 | TRISA4 | TRISA3 | TRISA2 | TRISA1 | TRISA0 | --11 1111         | --11 1111                 |
| TRISC  | —     | —     | TRISC5 | TRISC4 | TRISC3 | TRISC2 | TRISC1 | TRISC0 | --11 1111         | --11 1111                 |
| VRCON  | VREN  | —     | VRR    | —      | VR3    | VR2    | VR1    | VR0    | 0-0- 0000         | 0-0- 0000                 |

**Legend:** x = unknown, u = unchanged, - = unimplemented, read as '0'. Shaded cells are not used for comparator.

# PIC12F635/PIC16F636/639

---

---

NOTES:



## 8.0 PROGRAMMABLE LOW-VOLTAGE DETECT (PLVD) MODULE

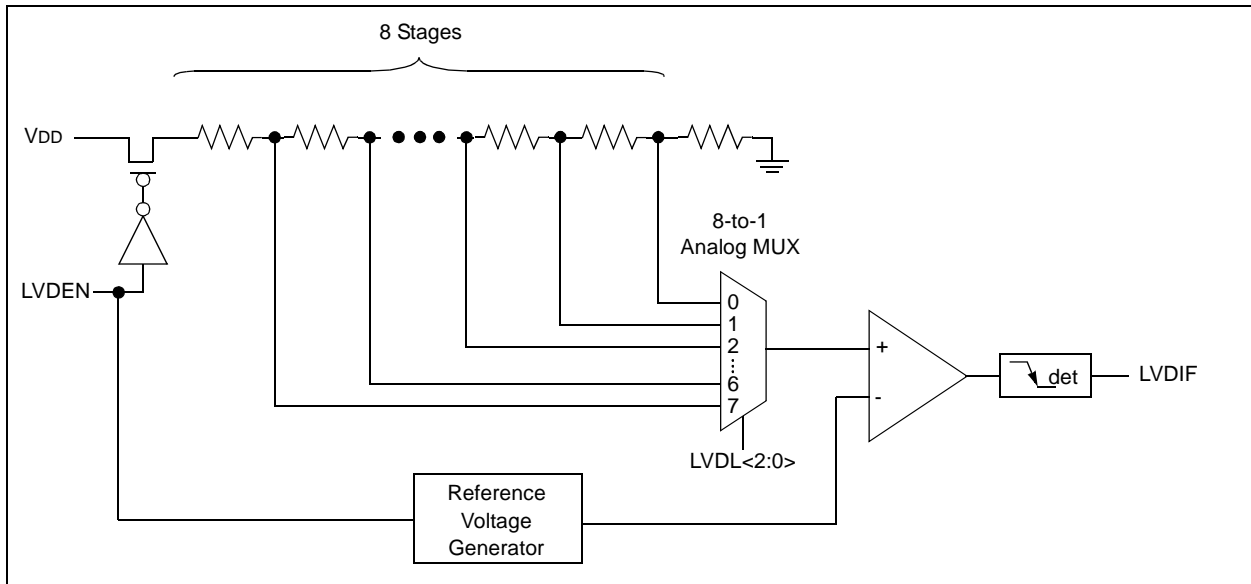
The Programmable Low-Voltage Detect (PLVD) module is a power supply detector which monitors the internal power supply. This module is typically used in key fobs and other devices, where certain actions need to be taken as a result of a falling battery voltage.

The PLVD module includes the following capabilities:

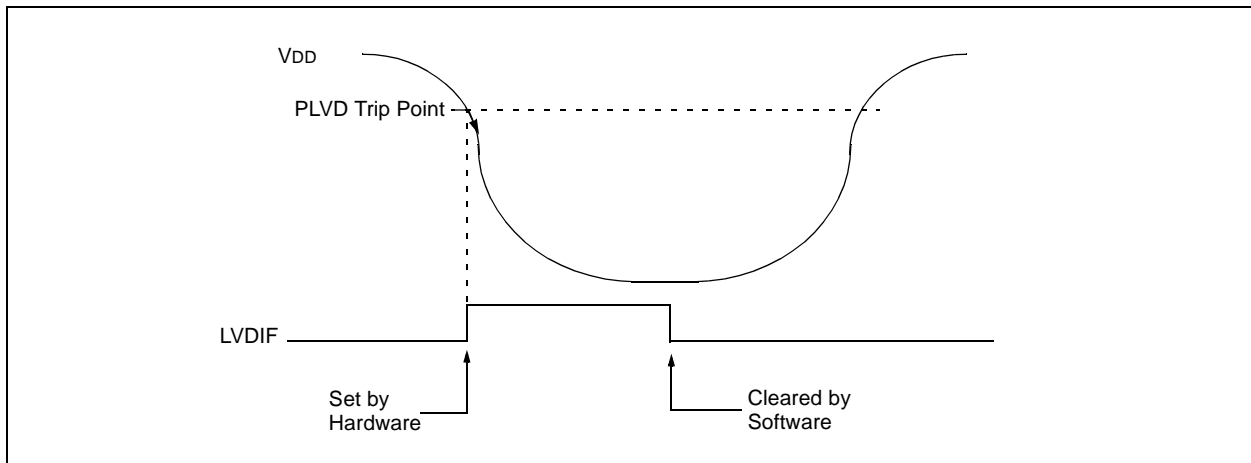
- Eight programmable trip points
- Interrupt on falling  $V_{DD}$
- Stable reference indication
- Operation during Sleep

A Block diagram of the PLVD module is shown in Figure 8-1.

**FIGURE 8-1: PLVD BLOCK DIAGRAM**



**FIGURE 8-2: PLVD OPERATION**



# PIC12F635/PIC16F636/639

---

## 8.1 PLVD Operation

To setup the PLVD for operation, the following steps must be taken:

- Enable the module by setting the LVDEN bit of the LVDCON register.
- Configure the trip point by setting the LVDL<2:0> bits of the LVDCON register.
- Wait for the reference voltage to become stable. Refer to **Section 8.4 “Stable Reference Indication”**.
- Clear the LVDIF bit of the PIR<sub>x</sub> register.

The LVDIF bit will be set when VDD falls below the PLVD trip point. The LVDIF bit remains set until cleared by software. Refer to Figure 8-2.

## 8.2 Programmable Trip Point

The PLVD trip point is selectable from one of eight voltage levels. The LVDL bits of the LVDCON register select the trip point. Refer to Register 8-1 for the available PLVD trip points.

## 8.3 Interrupt on Falling VDD

When VDD falls below the PLVD trip point, the falling edge detector will set the LVDIF bit. See Figure 8-2. An interrupt will be generated if the following bits are also set:

- GIE and PEIE bits of the INTCON register
- LVDIE bit of the PIE<sub>x</sub> register

The LVDIF bit must be cleared by software. An interrupt can be generated from a simulated PLVD event when the LVDIF bit is set by software.

## 8.4 Stable Reference Indication

When the PLVD module is enabled, the reference voltage must be allowed to stabilize before the PLVD will provide a valid result. Refer to **Electrical Section, PLVD Characteristics** for the stabilization time.

When the HFINTOSC is running, the IRVST bit of the LVDCON register indicates the stability of the voltage reference. The voltage reference is stable when the IRVST bit is set.

## 8.5 Operation During Sleep

To wake from Sleep, set the LVDIE bit of the PIE<sub>x</sub> register and the PEIE bit of the INTCON register. When the LVDIE and PEIE bits are set, the device will wake from Sleep and execute the next instruction. If the GIE bit is also set, the program will call the Interrupt Service Routine upon completion of the first instruction after waking from Sleep.

# PIC12F635/PIC16F636/639

**REGISTER 8-1: LVDCON: LOW-VOLTAGE DETECT CONTROL REGISTER**

|       |     |                      |       |     |       |       |       |
|-------|-----|----------------------|-------|-----|-------|-------|-------|
| U-0   | U-0 | R-0                  | R/W-0 | U-0 | R/W-1 | R/W-0 | R/W-0 |
| —     | —   | IRVST <sup>(1)</sup> | LVDEN | —   | LVDL2 | LVDL1 | LVDL0 |
| bit 7 |     |                      |       |     |       |       | bit 0 |

**Legend:**

R = Readable bit                      W = Writable bit                      U = Unimplemented bit, read as '0'  
 -n = Value at POR                      '1' = Bit is set                      '0' = Bit is cleared                      x = Bit is unknown

- bit 7-6            **Unimplemented:** Read as '0'
- bit 5            **IRVST:** Internal Reference Voltage Stable Status Flag bit<sup>(1)</sup>  
                   1 = Indicates that the PLVD is stable and PLVD interrupt is reliable  
                   0 = Indicates that the PLVD is not stable and PLVD interrupt must not be enabled
- bit 4            **LVDEN:** Low-Voltage Detect Module Enable bit  
                   1 = Enables PLVD Module, powers up PLVD circuit and supporting reference circuitry  
                   0 = Disables PLVD Module, powers down PLVD circuit and supporting reference circuitry
- bit 3            **Unimplemented:** Read as '0'
- bit 2-0        **LVDL<2:0>:** Low-Voltage Detection Level bits (nominal values)  
                   111 = 4.5V  
                   110 = 4.2V  
                   101 = 4.0V  
                   100 = 2.3V (default)  
                   011 = 2.2V  
                   010 = 2.1V  
                   001 = 2.0V<sup>(2)</sup>  
                   000 = Reserved

**Note 1:** The IRVST bit is usable only when the HFINTOSC is running.

**2:** Not tested and below minimum operating conditions.

**TABLE 8-1: REGISTERS ASSOCIATED WITH PROGRAMMABLE LOW-VOLTAGE DETECT**

| Name   | Bit 7 | Bit 6 | Bit 5 | Bit 4 | Bit 3 | Bit 2 | Bit 1 | Bit 0  | Value on POR, BOR | Value on all other Resets |
|--------|-------|-------|-------|-------|-------|-------|-------|--------|-------------------|---------------------------|
| INTCON | GIE   | PEIE  | T0IE  | INTE  | RAIE  | T0IF  | INTF  | RAIF   | 0000 000x         | 0000 000x                 |
| PIE1   | OSFIE | C2IE  | C1IE  | LCDIE | —     | LVDIE | —     | CCP2IE | 0000 -0-0         | 0000 -0-0                 |
| PIR1   | OSFIF | C2IF  | C1IF  | LCDIF | —     | LVDIF | —     | CCP2IF | 0000 -0-0         | 0000 -0-0                 |
| LVDCON | —     | —     | IRVST | LVDEN | —     | LVDL2 | LVDL1 | LVDL0  | --00 -100         | --00 -100                 |

**Legend:** x = unknown, - = unimplemented read as '0'. Shaded cells are not used by the PLVD module.

# PIC12F635/PIC16F636/639

---

---

NOTES:

# PIC12F635/PIC16F636/639

## 9.0 DATA EEPROM MEMORY

The EEPROM data memory is readable and writable during normal operation (full VDD range). This memory is not directly mapped in the register file space. Instead, it is indirectly addressed through the Special Function Registers. There are four SFRs used to read and write this memory:

- EECON1
- EECON2 (not a physically implemented register)
- EEDAT
- EEADR

EEDAT holds the 8-bit data for read/write and EEADR holds the address of the EEPROM location being accessed. PIC16F636/639 has 256 bytes of data EEPROM and the PIC12F635 has 128 bytes.

The EEPROM data memory allows byte read and write. A byte write automatically erases the location and writes the new data (erase before write). The EEPROM data memory is rated for high erase/write cycles. The write time is controlled by an on-chip timer. The write time will vary with voltage and temperature as well as from chip-to-chip. Please refer to A/C specifications in **Section 15.0 “Electrical Specifications”** for exact limits.

When the data memory is code-protected, the CPU may continue to read and write the data EEPROM memory. The device programmer can no longer access the data EEPROM data and will read zeroes.

### REGISTER 9-1: EEDAT: EEPROM DATA REGISTER

| R/W-0  | R/W-0  | R/W-0  | R/W-0  | R/W-0  | R/W-0  | R/W-0  | R/W-0  |
|--------|--------|--------|--------|--------|--------|--------|--------|
| EEDAT7 | EEDAT6 | EEDAT5 | EEDAT4 | EEDAT3 | EEDAT2 | EEDAT1 | EEDAT0 |
| bit 7  |        |        |        |        |        |        | bit 0  |

#### Legend:

R = Readable bit                      W = Writable bit                      U = Unimplemented bit, read as '0'  
 -n = Value at POR                      '1' = Bit is set                      '0' = Bit is cleared                      x = Bit is unknown

bit 7-0                      **EEDATn**: Byte Value to Write To or Read From Data EEPROM bits

### REGISTER 9-2: EEADR: EEPROM ADDRESS REGISTER

| R/W-0                 | R/W-0  | R/W-0  | R/W-0  | R/W-0  | R/W-0  | R/W-0  | R/W-0  |
|-----------------------|--------|--------|--------|--------|--------|--------|--------|
| EEADR7 <sup>(1)</sup> | EEADR6 | EEADR5 | EEADR4 | EEADR3 | EEADR2 | EEADR1 | EEADR0 |
| bit 7                 |        |        |        |        |        |        | bit 0  |

#### Legend:

R = Readable bit                      W = Writable bit                      U = Unimplemented bit, read as '0'  
 -n = Value at POR                      '1' = Bit is set                      '0' = Bit is cleared                      x = Bit is unknown

bit 7-0                      **EEADR**: Specifies One of 256 Locations for EEPROM Read/Write Operation bits

**Note 1:** PIC16F636/639 only. Read as '0' on PIC12F635.

# PIC12F635/PIC16F636/639

## 9.1 EECON1 AND EECON2 Registers

EECON1 is the control register with four low-order bits physically implemented. The upper four bits are non-implemented and read as '0's.

Control bits RD and WR initiate read and write, respectively. These bits cannot be cleared, only set in software. They are cleared in hardware at completion of the read or write operation. The inability to clear the WR bit in software prevents the accidental, premature termination of a write operation.

The WREN bit, when set, will allow a write operation. On power-up, the WREN bit is clear. The WRERR bit is set when a write operation is interrupted by a  $\overline{\text{MCLR}}$  Reset, or a WDT Time-out Reset during normal operation. In these situations, following Reset, the user can check the WRERR bit, clear it and rewrite the location. The data and address will be cleared. Therefore, the EEDAT and EEADR registers will need to be re-initialized.

Interrupt flag, EEIF bit of the PIR1 register, is set when write is complete. This bit must be cleared in software.

EECON2 is not a physical register. Reading EECON2 will read all '0's. The EECON2 register is used exclusively in the data EEPROM write sequence.

**Note:** The EECON1, EEDAT and EEADR registers should not be modified during a data EEPROM write (WR bit = 1).

### REGISTER 9-3: EECON1: EEPROM CONTROL REGISTER

|       |     |     |     |       |       |       |       |
|-------|-----|-----|-----|-------|-------|-------|-------|
| U-0   | U-0 | U-0 | U-0 | R/W-x | R/W-0 | R/S-0 | R/S-0 |
| —     | —   | —   | —   | WRERR | WREN  | WR    | RD    |
| bit 7 |     |     |     |       |       |       | bit 0 |

**Legend:**

|                         |                  |                                    |
|-------------------------|------------------|------------------------------------|
| S = Bit can only be set | W = Writable bit | U = Unimplemented bit, read as '0' |
| R = Readable bit        | '1' = Bit is set | '0' = Bit is cleared               |
| -n = Value at POR       |                  | x = Bit is unknown                 |

- bit 7-4      **Unimplemented:** Read as '0'
- bit 3      **WRERR:** EEPROM Error Flag bit
  - 1 = A write operation is prematurely terminated (any  $\overline{\text{MCLR}}$  Reset, any WDT Reset during normal operation or BOR Reset)
  - 0 = The write operation completed
- bit 2      **WREN:** EEPROM Write Enable bit
  - 1 = Allows write cycles
  - 0 = Inhibits write to the data EEPROM
- bit 1      **WR:** Write Control bit
  - 1 = Initiates a write cycle (The bit is cleared by hardware once write is complete. The WR bit can only be set, not cleared, in software.)
  - 0 = Write cycle to the data EEPROM is complete
- bit 0      **RD:** Read Control bit
  - 1 = Initiates an EEPROM read (Read takes one cycle. RD is cleared in hardware. The RD bit can only be set, not cleared, in software.)
  - 0 = Does not initiate an EEPROM read

## 9.2 Reading the EEPROM Data Memory

To read a data memory location, the user must write the address to the EEADR register and then set control bit RD of the EECON1 register, as shown in Example 9-1. The data is available, in the very next cycle, in the EEDAT register. Therefore, it can be read in the next instruction. EEDAT holds this value until another read, or until it is written to by the user (during a write operation).

### EXAMPLE 9-1: DATA EEPROM READ

```
BANKSEL EEADR      ;
MOVLW   CONFIG_ADDR ;
MOVWF   EEADR      ;Address to read
BSF     EECON1, RD  ;EE Read
MOVWF   EEDAT, W   ;Move data to W
```

## 9.3 Writing to the EEPROM Data Memory

To write an EEPROM data location, the user must first write the address to the EEADR register and the data to the EEDAT register. Then the user must follow a specific sequence to initiate the write for each byte, as shown in Example 9-2.

The write will not initiate if the above sequence is not exactly followed (write 55h to EECON2, write AAh to EECON2, then set WR bit) for each byte. We strongly recommend that interrupts be disabled during this code segment. A cycle count is executed during the required sequence. Any number that is not equal to the required cycles to execute the required sequence will prevent the data from being written into the EEPROM.

Additionally, the WREN bit in EECON1 must be set to enable write. This mechanism prevents accidental writes to data EEPROM due to errant (unexpected) code execution (i.e., lost programs). The user should keep the WREN bit clear at all times, except when updating EEPROM. The WREN bit is not cleared by hardware.

After a write sequence has been initiated, clearing the WREN bit will not affect this write cycle. The WR bit will be inhibited from being set unless the WREN bit is set.

At the completion of the write cycle, the WR bit is cleared in hardware and the EE Write Complete Interrupt Flag bit (EEIF) is set. The user can either enable this interrupt or poll this bit. The EEIF bit of the PIR1 register must be cleared by software.

### EXAMPLE 9-2: DATA EEPROM WRITE

```
BANKSEL EEADR      ;
BSF     EECON1, WREN ;Enable write
BCF     INTCON, GIE  ;Disable INTs
MOVLW   55h         ;Unlock write
MOVWF   EECON2      ;
MOVLW   AAh         ;
MOVWF   EECON2      ;
BSF     EECON1, WR   ;Start the write
BSF     INTCON, GIE  ;Enable INTs
```

} Required Sequence

## 9.4 Write Verify

Depending on the application, good programming practice may dictate that the value written to the data EEPROM should be verified (see Example 9-3) to the desired value to be written.

### EXAMPLE 9-3: WRITE VERIFY

```
BANKSEL EEDAT      ;
MOVWF   EEDAT, W   ;EEDAT not changed
                        ;from previous write
BSF     EECON1, RD  ;YES, Read the
                        ;value written
XORWF   EEDAT, W    ;
BTFSS   STATUS, Z    ;Is data the same
GOTO    WRITE_ERR   ;No, handle error
:       ;Yes, continue
```

### 9.4.1 USING THE DATA EEPROM

The data EEPROM is a high-endurance, byte addressable array that has been optimized for the storage of frequently changing information (e.g., program variables or other data that are updated often). When variables in one section change frequently, while variables in another section do not change, it is possible to exceed the total number of write cycles to the EEPROM (specification D124) without exceeding the total number of write cycles to a single byte (specifications D120 and D120A). If this is the case, then a refresh of the array must be performed. For this reason, variables that change infrequently (such as constants, IDs, calibration, etc.) should be stored in Flash program memory.

# PIC12F635/PIC16F636/639

## 9.5 Protection Against Spurious Write

There are conditions when the user may not want to write to the data EEPROM memory. To protect against spurious EEPROM writes, various mechanisms have been built in. On power-up, WREN is cleared. Also, the Power-up Timer (nominal 64 ms duration) prevents EEPROM write.

The write initiate sequence and the WREN bit together help prevent an accidental write during:

- Brown-out
- Power Glitch
- Software Malfunction

## 9.6 Data EEPROM Operation During Code Protection

Data memory can be code-protected by programming the CPD bit in the Configuration Word (Register 12-1) to '0'.

When the data memory is code-protected, the CPU is able to read and write data to the data EEPROM. It is recommended to code-protect the program memory when code-protecting data memory. This prevents anyone from programming zeroes over the existing code (which will execute as NOPs) to reach an added routine, programmed in unused program memory, which outputs the contents of data memory. Programming unused locations in program memory to '0' will also help prevent data memory code protection from becoming breached.

**TABLE 9-1: SUMMARY OF REGISTERS ASSOCIATED WITH DATA EEPROM**

| Name   | Bit 7   | Bit 6  | Bit 5  | Bit 4               | Bit 3  | Bit 2  | Bit 1  | Bit 0  | Value on POR, BOR | Value on all other Resets |
|--------|---|--------|--------|---------------------|--------|--------|--------|--------|-------------------|---------------------------|
| INTCON | GIE   | PEIE   | T0IE   | INTE                | RAIE   | T0IF   | INTF   | RAIF   | 0000 000x         | 0000 000x                 |
| PIR1   | EEIF  | LVDIF  | CRIF   | C2IF <sup>(1)</sup> | C1IF   | OSFIF  | —      | TMR1IF | 0000 00-0         | 0000 00-0                 |
| PIE1   | EEIE  | LVDIE  | CRIE   | C2IE <sup>(1)</sup> | C1IE   | OSFIE  | —      | TMR1IE | 0000 00-0         | 0000 00-0                 |
| EEDAT  | EEDAT7  | EEDAT6 | EEDAT5 | EEDAT4              | EEDAT3 | EEDAT2 | EEDAT1 | EEDAT0 | 0000 0000         | 0000 0000                 |
| EEADR  | EEADR7 <sup>(1)</sup>                               | EEADR6 | EEADR5 | EEADR4              | EEADR3 | EEADR2 | EEADR1 | EEADR0 | 0000 0000         | 0000 0000                 |
| EECON1 | —   | —      | —      | —                   | WRERR  | WREN   | WR     | RD     | ---- x000         | ---- q000                 |
| EECON2 | EEPROM Control Register 2 (not a physical register) |        |        |                     |        |        |        |        | ---- ----         | ---- ----                 |

**Legend:** x = unknown, u = unchanged, — = unimplemented read as '0', q = value depends upon condition. Shaded cells are not used by the data EEPROM module.

**Note 1:** PIC16F636/639 only.



## 10.0 KEELOQ<sup>®</sup> COMPATIBLE CRYPTOGRAPHIC MODULE

To obtain information regarding the implementation of the KEELOQ module, Microchip Technology requires the execution of the "KEELOQ<sup>®</sup> Encoder License Agreement".

The "KEELOQ<sup>®</sup> Encoder License Agreement" may be accessed through the Microchip web site located at [www.microchip.com/KEELOQ](http://www.microchip.com/KEELOQ). Further information may be obtained by contacting your local Microchip Sales Representative.

# PIC12F635/PIC16F636/639

---

NOTES:

## 11.0 ANALOG FRONT-END (AFE) FUNCTIONAL DESCRIPTION (PIC16F639 ONLY)

The PIC16F639 device consists of the PIC16F636 device and low frequency (LF) Analog Front-End (AFE), with the AFE section containing three analog-input channels for signal detection and LF talk-back. This section describes the Analog Front-End (AFE) in detail.

The PIC16F639 device can detect a 125 kHz input signal as low as 1 mVpp and transmit data by using internal LF talk-back modulation or via an external transmitter. The PIC16F639 can also be used for various bidirectional communication applications. Figure 11-3 and Figure 11-4 show application examples of the device.

Each analog input channel has internal tuning capacitance, sensitivity control circuits, an input signal strength limiter and an LF talk-back modulation transistor. An Automatic Gain Control (AGC) loop is used for all three input channel gains. The output of each channel is OR'd and fed into a demodulator. The digital output is passed to the LFDATA pin. Figure 11-1 shows the block diagram of the AFE and Figure 11-2 shows the LC input path.

There are a total of eight Configuration registers. Six of them are used for AFE operation options, one for column parity bits and one for status indication of AFE operation. Each register has 9 bits including one row parity bit. These registers are readable and writable by SPI (Serial Protocol Interface) commands except for the STATUS register, which is read-only.

### 11.1 RF Limiter

The RF Limiter limits LC pin input voltage by de-Q'ing the attached LC resonant circuit. The absolute voltage limit is defined by the silicon process's maximum allowed input voltage (see **Section 15.0 "Electrical Specifications"**). The limiter begins de-Q'ing the external LC antenna when the input voltage exceeds VDE\_Q, progressively de-Q'ing harder to reduce the antenna input voltage.

The signal levels from all 3 channels are combined such that the limiter attenuates all 3 channels uniformly, in respect to the channel with the strongest signal.

### 11.2 Modulation Circuit

The modulation circuit consists of a modulation transistor (FET), internal tuning capacitors and external LC antenna components. The modulation transistor and the internal tuning capacitors are connected between the LC input pin and LCCOM pin. Each LC input has its own modulation transistor.

When the modulation transistor turns on, its low Turn-on Resistance (RM) clamps the induced LC antenna voltage. The coil voltage is minimized when the modulation transistor turns-on and maximized when the modulation transistor turns-off. The modulation transistor's low Turn-on Resistance (RM) results in a high modulation depth.

The LF talk-back is achieved by turning on and off the modulation transistor.

The modulation data comes from the microcontroller section via the digital SPI interface as "Clamp On", "Clamp Off" commands. Only those inputs that are enabled will execute the clamp command. A basic block diagram of the modulation circuit is shown in Figure 11-1 and Figure 11-2.

The modulation FET is also shorted momentarily after Soft Reset and Inactivity timer time-out.

### 11.3 Tuning Capacitor

Each channel has internal tuning capacitors for external antenna tuning. The capacitor values are programmed by the Configuration registers up to 63 pF, 1 pF per step.

**Note:** The user can control the tuning capacitor by programming the AFE Configuration registers.

### 11.4 Variable Attenuator

The variable attenuator is used to attenuate, via AGC control, the input signal voltage to avoid saturating the amplifiers and demodulators.

**Note:** The variable attenuator function is accomplished by the device itself. The user cannot control its function.

### 11.5 Sensitivity Control

The sensitivity of each channel can be reduced by the channel's Configuration register sensitivity setting. This is used to desensitize the channel from optimum.

**Note:** The user can desensitize the channel sensitivity by programming the AFE Configuration registers.

# PIC12F635/PIC16F636/639

---

## 11.6 AGC Control

The AGC controls the variable attenuator to limit the internal signal voltage to avoid saturation of internal amplifiers and demodulators (Refer to **Section 11.4 “Variable Attenuator”**).

The signal levels from all 3 channels are combined such that AGC attenuates all 3 channels uniformly in respect to the channel with the strongest signal.

**Note:** The AGC control function is accomplished by the device itself. The user cannot control its function.

## 11.7 Fixed Gain Amplifiers 1 and 2

FGA1 and FGA2 provides a maximum two-stage gain of 40 dB.

**Note:** The user cannot control the gain of these two amplifiers.

## 11.8 Auto Channel Selection

The Auto Channel Selection feature is enabled if the Auto Channel Select bit AUTOCHSEL<8> in Configuration Register 5 (Register 11-6) is set, and disabled if the bit is cleared. When this feature is active (i.e., AUTOCHSE <8> = 1), the control circuit checks the demodulator output of each input channel immediately after the AGC settling time (TSTAB). If the output is high, it allows this channel to pass data, otherwise it is blocked.

The status of this operation is monitored by AFE Status Register 7 bits <8:6> (Register 11-8). These bits indicate the current status of the channel selection activity, and automatically updates for every Soft Reset period. The auto channel selection function resets after each Soft Reset (or after Inactivity timer time-out). Therefore, the blocked channels are reenabled after Soft Reset.

This feature can make the output signal cleaner by blocking any channel that was not high at the end of TAGC. This function works only for demodulated data output, and is not applied for carrier clock or RSSI output.

## 11.9 Carrier Clock Detector

The Detector senses the input carrier cycles. The output of the Detector switches digitally at the signal carrier frequency. Carrier clock output is available when the output is selected by the DATOUT bit in the AFE Configuration Register 1 (Register 11-2).

## 11.10 Demodulator

The Demodulator consists of a full-wave rectifier, low pass filter, peak detector and Data Slicer that detects the envelope of the input signal.

## 11.11 Data Slicer

The Data Slicer consists of a reference generator and comparator. The Data Slicer compares the input with the reference voltage. The reference voltage comes from the minimum modulation depth requirement setting and input peak voltage. The data from all 3 channels are OR'd together and sent to the output enable filter.

## 11.12 Output Enable Filter

The Output Enable Filter enables the LFDATA output once the incoming signal meets the wake-up sequence requirements (see **Section 11.15 “Configurable Output Enable Filter”**).

## 11.13 RSSI (Received Signal Strength Indicator)

The RSSI provides a current which is proportional to the input signal amplitude (see **Section 11.31.3 “Received Signal Strength Indicator (RSSI) Output”**).

## 11.14 Analog Front-End Timers

The AFE has an internal 32 kHz RC oscillator. The oscillator is used in several timers:

- Inactivity timer
- Alarm timer
- Pulse Width timer
- Period timer
- AGC settling timer

### 11.14.1 RC OSCILLATOR

The RC oscillator is low power, 32 kHz  $\pm$  10% over temperature and voltage variations.

## 11.14.2 INACTIVITY TIMER

The Inactivity Timer is used to automatically return the AFE to Standby mode, if there is no input signal. The time-out period is approximately 16 ms ( $T_{INACT}$ ), based on the 32 kHz internal clock.

The purpose of the Inactivity Timer is to minimize AFE current draw by automatically returning the AFE to the lower current Standby mode, if there is no input signal for approximately 16 ms.

The timer is reset when:

- An amplitude change in LF input signal, either high-to-low or low-to-high
- $\overline{CS}$  pin is low (any SPI command)
- Timer-related Soft Reset

The timer starts when:

- AFE receives any LF signal

The timer causes an AFE Soft Reset when:

- A previously received LF signal does not change either high-to-low or low-to-high for  $T_{INACT}$

The Soft Reset returns the AFE to Standby mode where most of the analog circuits, such as the AGC, demodulator and RC oscillator, are powered down. This returns the AFE to the lower Standby Current mode.

## 11.14.3 ALARM TIMER

The Alarm Timer is used to notify the MCU that the AFE is receiving LF signal that does not pass the output enable filter requirement. The time-out period is approximately 32 ms ( $T_{ALARM}$ ) in the presence of continuing noise.

The Alarm Timer time-out occurs if there is an input signal for longer than 32 ms that does not meet the output enable filter requirements. The Alarm Timer time-out causes:

- a) The  $\overline{ALERT}$  pin to go low.
- b) The ALARM bit to set in the AFE Status Configuration 7 register (Register 11-8).

The MCU is informed of the Alarm timer time-out by monitoring the  $\overline{ALERT}$  pin. If the Alarm timer time-out occurs, the MCU can take appropriate actions such as lowering channel sensitivity or disabling channels. If the noise source is ignored, the AFE can return to a lower standby current draw state.

The timer is reset when the:

- $\overline{CS}$  pin is low (any SPI command).
- Output enable filter is disabled.
- LFDATA pin is enabled (signal passed output enable filter).

The timer starts when:

- Receiving a LF signal.

The timer causes a low output on the  $\overline{ALERT}$  pin when:

- Output enable filter is enabled and modulated input signal is present for  $T_{ALARM}$ , but does not pass the output enable filter requirement.

**Note:** The Alarm timer is disabled if the output enable filter is disabled.

## 11.14.4 PULSE WIDTH TIMER

The Pulse Width Timer is used to verify that the received output enable sequence meets both the minimum TOEH and minimum TOEL requirements.

## 11.14.5 PERIOD TIMER

The Period Timer is used to verify that the received output enable sequence meets the maximum TOET requirement.

## 11.14.6 AGC SETTling TIMER ( $T_{AGC}$ )

This timer is used to keep the output enable filter in Reset while the AGC settles on the input signal. The time-out period is approximately 3.5 ms. At end of this time ( $T_{AGC}$ ), the input should remain high ( $T_{PAGC}$ ), otherwise the counting is aborted and a Soft Reset is issued. See Figure 11-6 for details.

**Note 1:** The AFE needs continuous and uninterrupted high input signal during AGC settling time ( $T_{AGC}$ ). Any absence of signal during this time may reset the timer and a new input signal is needed for AGC settling time, or may result in improper AGC gain settings which will produce invalid output.

**2:** The rest of the AFE section wakes up if any of these input channels receive the AGC settling time correctly. AFE Status Register 7 bits <4:2> (Register 11-8) indicate which input channels have waken up the AFE first. Valid input signal on multiple input pins can cause more than one channel's indicator bit to be set.

# PIC12F635/PIC16F636/639

FIGURE 11-1: FUNCTIONAL BLOCK DIAGRAM – ANALOG FRONT-END

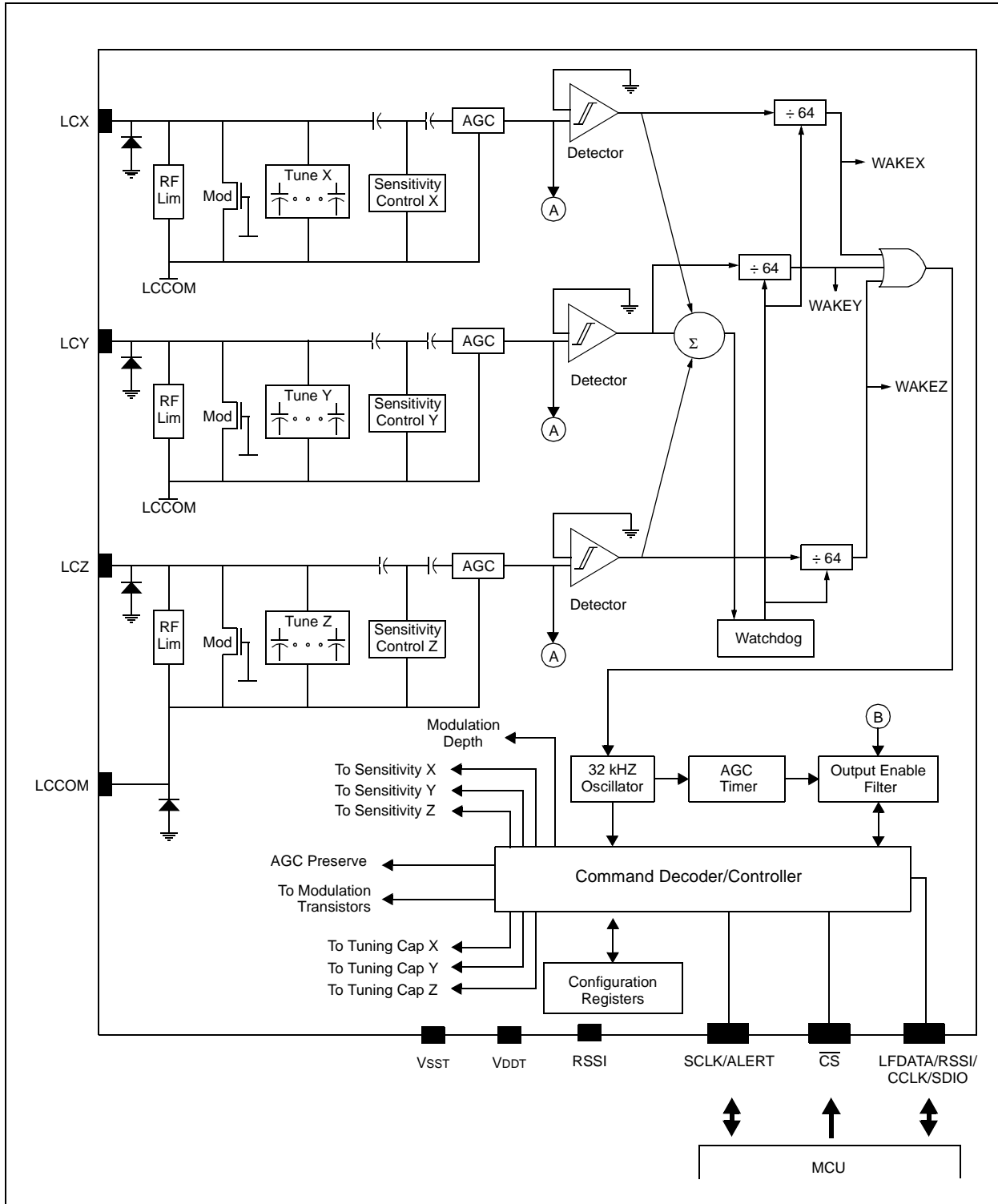
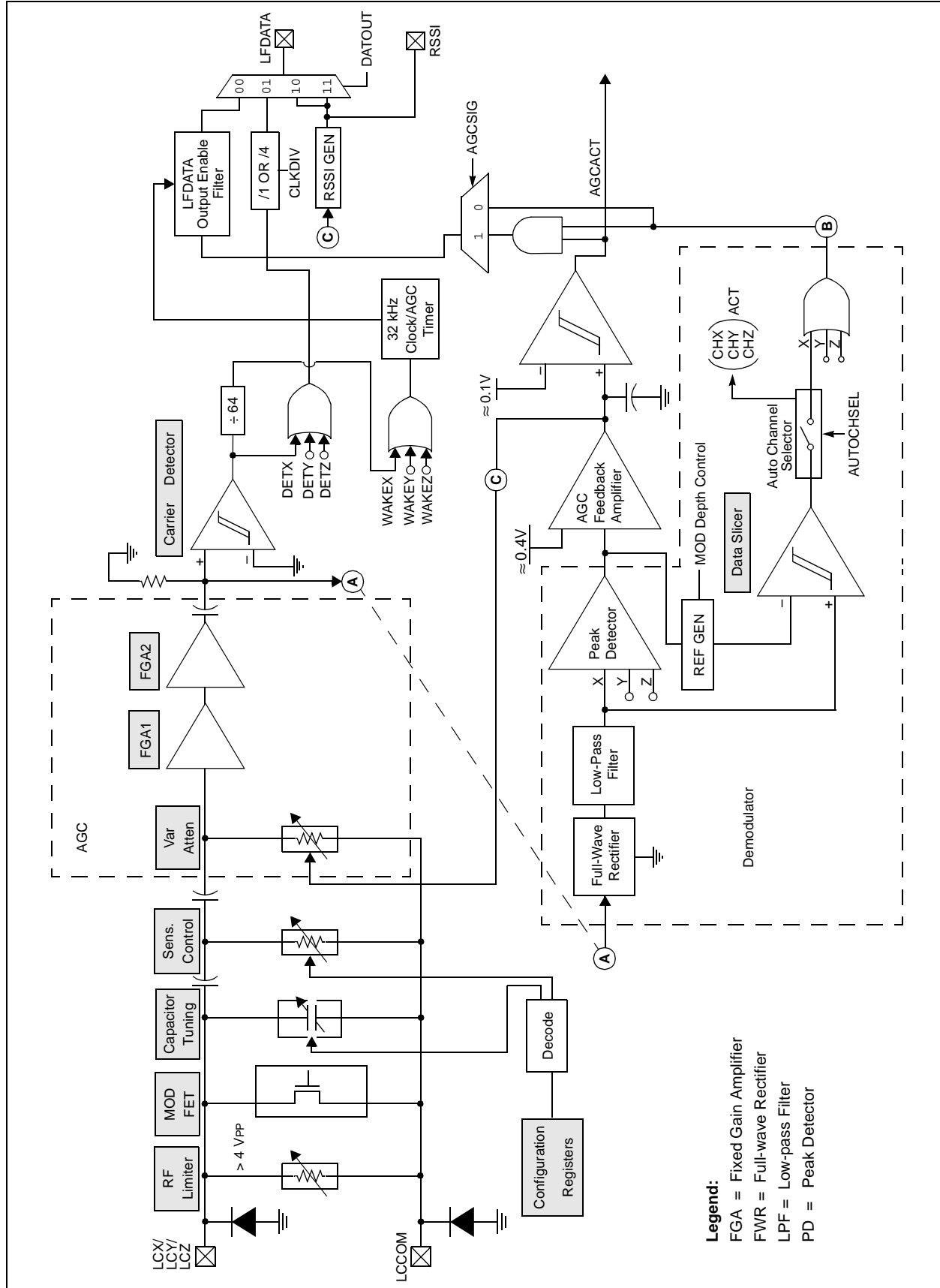
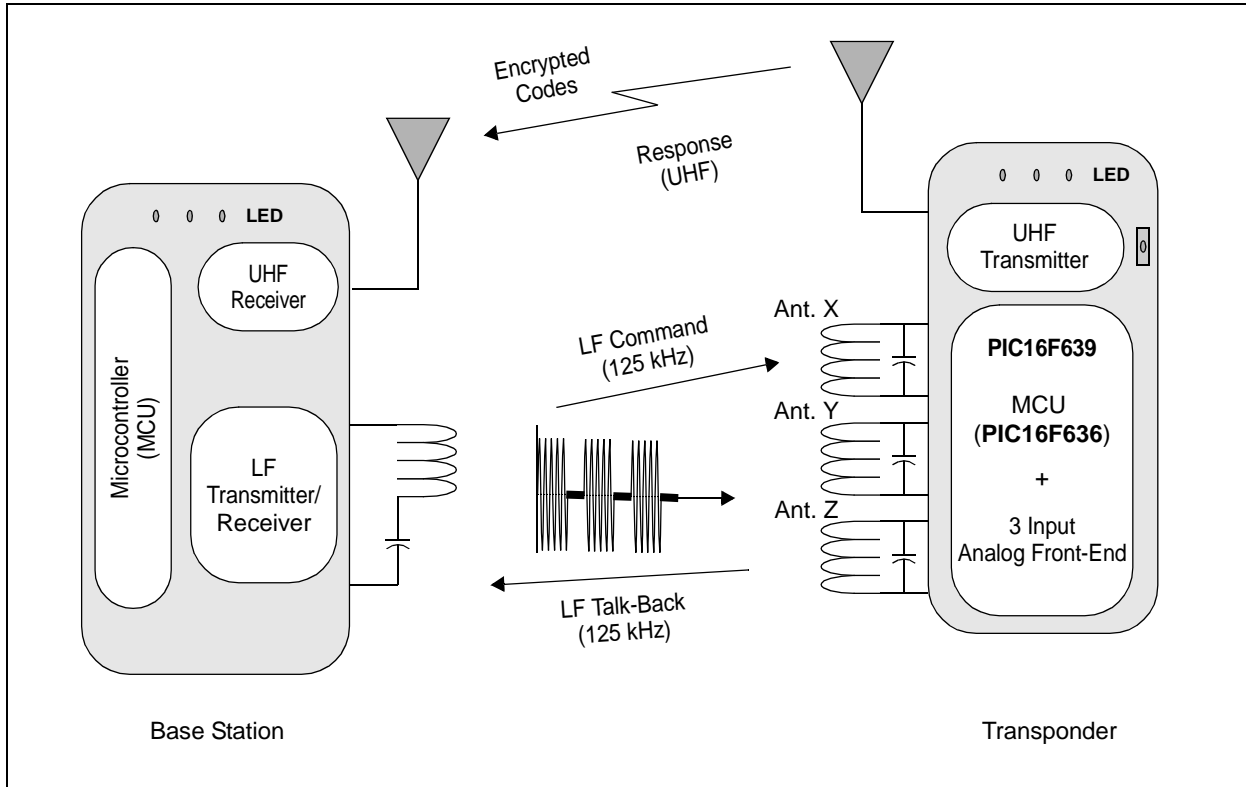


FIGURE 11-2: LC INPUT PATH

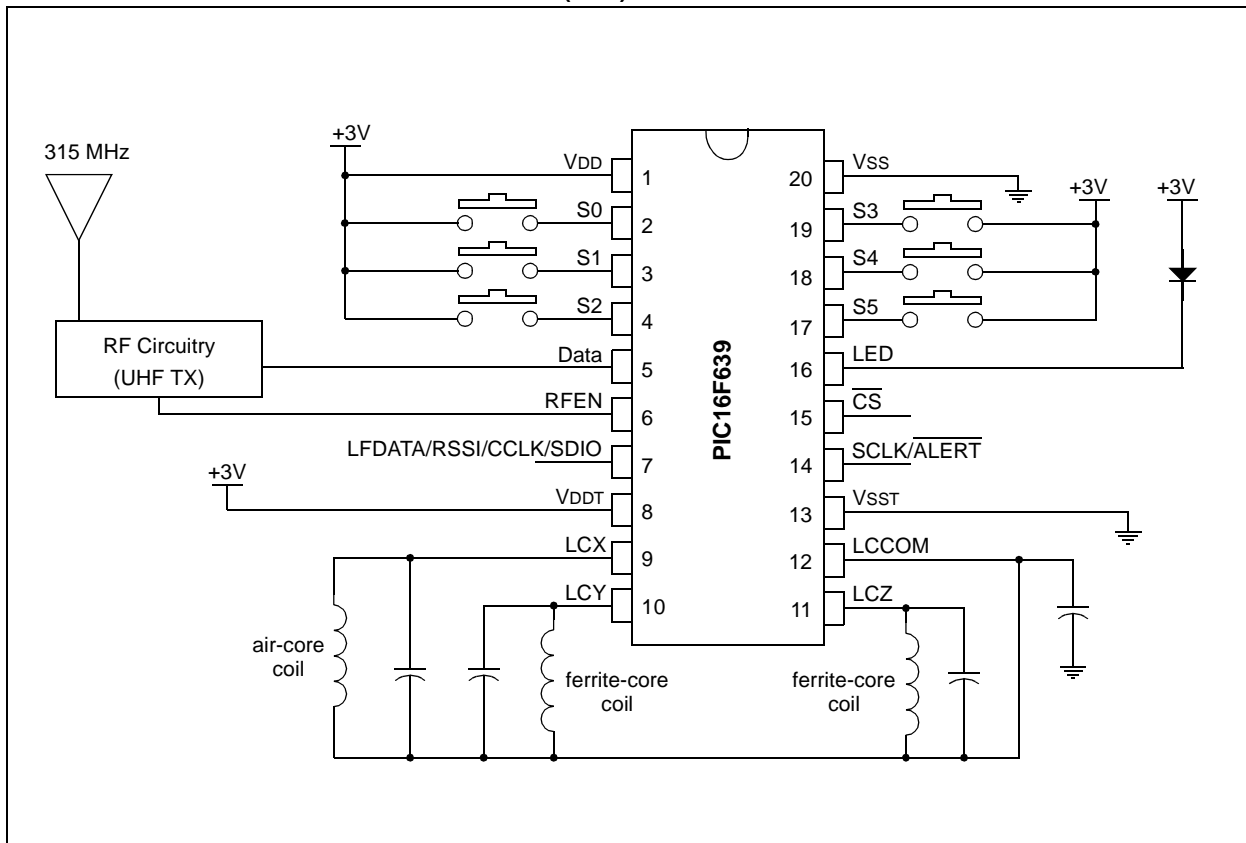


# PIC12F635/PIC16F636/639

**FIGURE 11-3: BIDIRECTIONAL PASSIVE KEYLESS ENTRY (PKE) SYSTEM APPLICATION EXAMPLE**



**FIGURE 11-4: PASSIVE KEYLESS ENTRY (PKE) TRANSPONDER CONFIGURATION EXAMPLE**





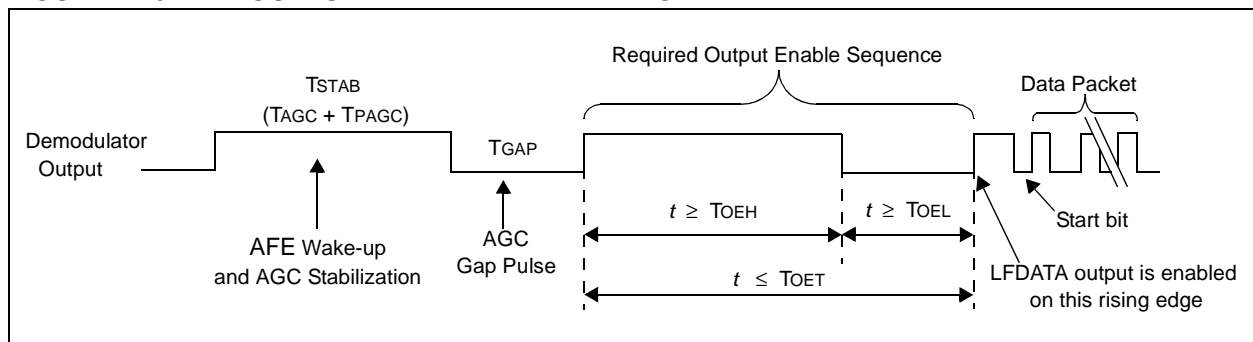
## 11.15 Configurable Output Enable Filter

The purpose of this filter is to enable the LFDATA output and wake the microcontroller only after receiving a specific sequence of pulses on the LC input pins. Therefore, it prevents the AFE from waking up the microcontroller due to noise or unwanted input signals. The circuit compares the timing of the demodulated header waveform with a pre-defined value, and enables the demodulated LFDATA output when a match occurs.

The output enable filter consists of a high (TOEH) and low duration (TOEL) of a pulse immediately after the AGC settling gap time. The selection of high and low times further implies a max period time. The output enable high and low times are determined by SPI interface programming. Figure 11-5 and Figure 11-6 show the output enable filter waveforms.

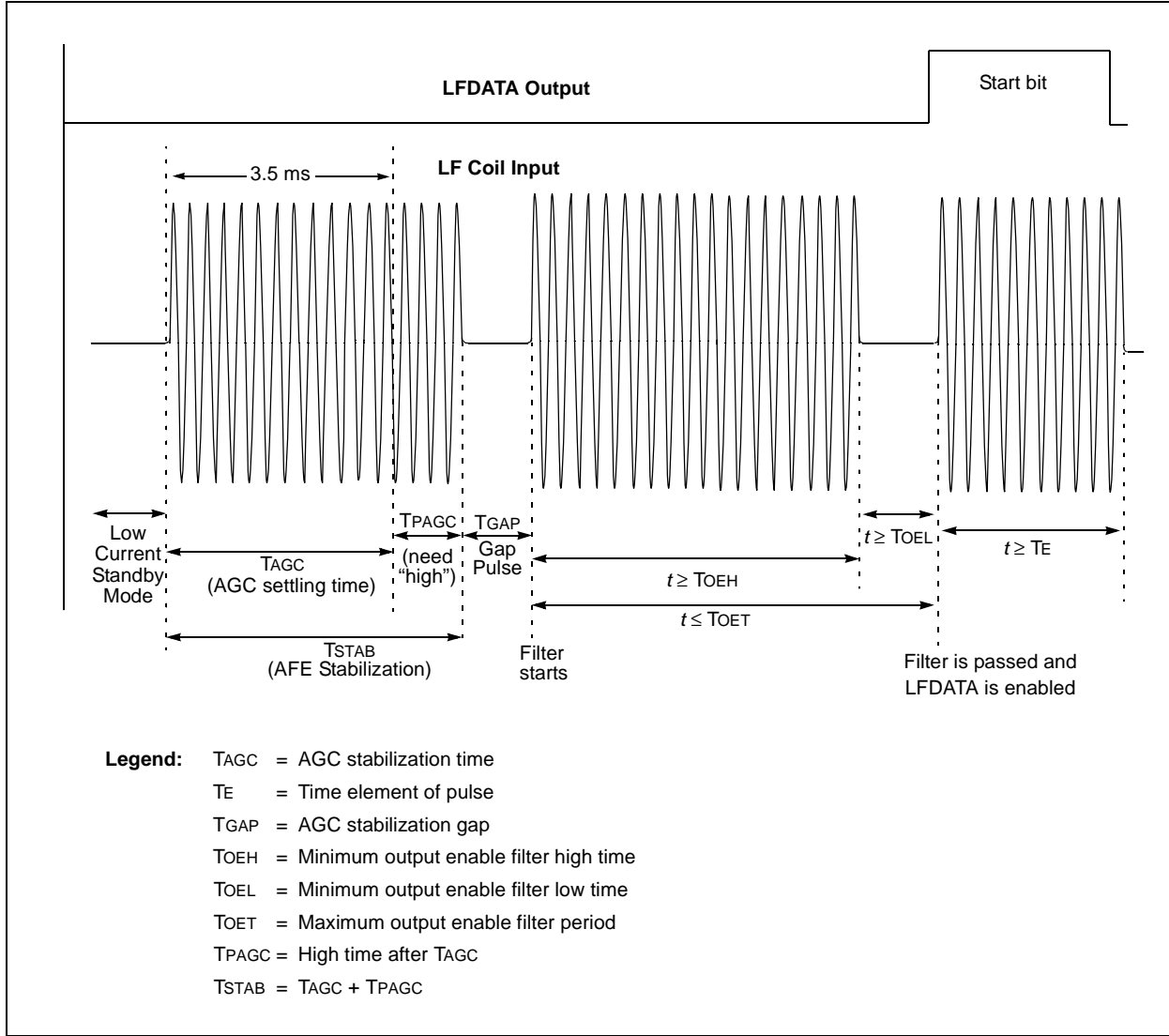
There should be no missing cycles during TOEH. Missing cycles may result in failing the output enable condition.

**FIGURE 11-5: OUTPUT ENABLE FILTER TIMING**



# PIC12F635/PIC16F636/639

FIGURE 11-6: OUTPUT ENABLE FILTER TIMING EXAMPLE (DETAILED)



**TABLE 11-1: TYPICAL OUTPUT ENABLE FILTER TIMING**

| OEH<br><1:0> | OEL<br><1:0> | TOEH<br>(ms)    | TOEL<br>(ms) | TOET<br>(ms) |
|--------------|--------------|-----------------|--------------|--------------|
| 01           | 00           | 1               | 1            | 3            |
| 01           | 01           | 1               | 1            | 3            |
| 01           | 10           | 1               | 2            | 4            |
| 01           | 11           | 1               | 4            | 6            |
| 10           | 00           | 2               | 1            | 4            |
| 10           | 01           | 2               | 1            | 4            |
| 10           | 10           | 2               | 2            | 5            |
| 10           | 11           | 2               | 4            | 8            |
| 11           | 00           | 4               | 1            | 6            |
| 11           | 01           | 4               | 1            | 6            |
| 11           | 10           | 4               | 2            | 8            |
| 11           | 11           | 4               | 4            | 10           |
| 00           | xx           | Filter Disabled |              |              |

**Note 1:** Typical at room temperature and VDD = 3.0V, 32 kHz oscillator.

TOEH is measured from the rising edge of the demodulator output to the first falling edge. The pulse width must fall within  $TOEH \leq t \leq TOET$ .

TOEL is measured from the falling edge of the demodulator output to the rising edge of the next pulse. The pulse width must fall within  $TOEL \leq t \leq TOET$ .

TOET is measured from rising edge to the next rising edge (i.e., the sum of TOEH and TOEL). The pulse width must be  $t \leq TOET$ . If the Configuration Register 0 (Register 11-1), OEL<8:7> is set to '00', then TOEH must not exceed TOET and TOEL must not exceed TINACT.

The filter will reset, requiring a complete new successive high and low period to enable LFDATA, under the following conditions.

- The received high is not greater than the configured minimum TOEH value.
- During TOEH, a loss of signal > 56  $\mu$ s. A loss of signal < 56  $\mu$ s may or may not cause a filter Reset.
- The received low is not greater than the configured minimum TOEL value.
- The received sequence exceeds the maximum TOET value:
  - $TOEH + TOEL > TOET$
  - or  $TOEH > TOET$
  - or  $TOEL > TOET$
- A Soft Reset SPI command is received.

If the filter resets due to a long high ( $TOEH > TOET$ ), the high-pulse timer will not begin timing again until after a gap of TE and another low-to-high transition occurs on the demodulator output.

Disabling the output enable filter disables the TOEH and TOEL requirement and the AFE passes all received LF data. See Figure 11-10, Figure 11-11 and Figure 11-12 for examples.

When viewed from an application perspective, from the pin input, the actual output enable filter timing must factor in the analog delays in the input path (such as demodulator charge and discharge times).

- $TOEH - TDR + TDF$
- $TOEL + TDR - TDF$

The output enable filter starts immediately after TGAP, the gap after AGC stabilization period.

## 11.16 Input Sensitivity Control

The AFE is designed to have typical input sensitivity of 3 mVPP. This means any input signal with amplitude greater than 3 mVPP can be detected. The AFE's internal AGC loop regulates the detecting signal amplitude when the input level is greater than approximately 20 mVPP. This signal amplitude is called "AGC-active level". The AGC loop regulates the input voltage so that the input signal amplitude range will be kept within the linear range of the detection circuits without saturation. The AGC Active Status bit AGCACT<5>, in the AFE Status Register 7 (Register 11-8) is set if the AGC loop regulates the input voltage.

Table 11-2 shows the input sensitivity comparison when the AGCSIG option is used. When AGCSIG option bit is set, the demodulated output is available only when the AGC loop is active (see Table 11-1). The AFE has also input sensitivity reduction options per each channel. The Configuration Register 3 (Register 11-4), Configuration Register 4 (Register 11-5) and Configuration Register 5 (Register 11-6) have the option to reduce the channel gains from 0 dB to approximately -30 dB.

# PIC12F635/PIC16F636/639

**TABLE 11-2: INPUT SENSITIVITY VS. MODULATED SIGNAL STRENGTH SETTING (AGCSIG <7>)**

| AGCSIG<7><br>(Config. Register 5) | Description  | Input Sensitivity<br>(Typical) |
|-----------------------------------|--|--------------------------------|
| 0                                 | Disabled – the AFE passes signal of any amplitude level it is capable of detecting (demodulated data and carrier clock).   | 3.0 mVPP                       |
| 1                                 | Enabled – No output until AGC Status = 1 (i.e., $V_{PEAK} \approx 20$ mVPP) (demodulated data and carrier clock). <ul style="list-style-type: none"><li>• Provides the best signal to noise ratio.</li></ul> | 20 mVPP                        |

## 11.17 Input Channels (Enable/Disable)

Each channel can be individually enabled or disabled by programming bits in Configuration Register 0<3:1> (Register 11-1).

The purpose of having an option to disable a particular channel is to minimize current draw by powering down as much circuitry as possible, if the channel is not needed for operation. The exact circuits disabled when an input is disabled are amplifiers, detector, full-wave rectifier, data slicer, and modulation FET. However, the RF input limiter remains active to protect the silicon from excessive antenna input voltages.

## 11.18 AGC Amplifier

The circuit automatically amplifies input signal voltage levels to an acceptable level for the data slicer. Fast attack and slow release by nature, the AGC tracks the carrier signal level and not the modulated data bits.

The AGC inherently tracks the strongest of the three antenna input signals. The AGC requires an AGC stabilization time ( $T_{AGC}$ ).

The AGC will attempt to regulate a channel's peak signal voltage into the data slicer to a desired regulated AGC voltage – reducing the input path's gain as the signal level attempts to increase above regulated AGC voltage, and allowing full amplification on signal levels below the regulated AGC voltage.

The AGC has two modes of operation:

1. During the AGC settling time ( $T_{AGC}$ ), the AGC time constant is fast, allowing a reasonably short acquisition time of the continuous input signal.
2. After  $T_{AGC}$ , the AGC switches to a slower time constant for data slicing.

Also, the AGC is frozen when the input signal envelope is low. The AGC tracks only high envelope levels.

## 11.19 AGC Preserve

The AGC preserve feature allows the AFE to preserve the AGC value during the AGC settling time ( $T_{AGC}$ ) and apply the value to the data slicing circuit for the following data streams instead of using a new tracking value. This feature is useful to demodulate the input signal correctly when the input has random amplitude variations at a given time period. This feature is enabled when the AFE receives an AGC Preserve On command and disabled if it receives an AGC Preserve Off command. Once the AGC Preserve On command is received, the AFE acquires a new AGC value during each AGC settling time and preserves the value until a Soft Reset or an AGC Preserve Off command is issued. Therefore, it does not need to issue another AGC Preserve On command. An AGC Preserve Off command is needed to disable the AGC preserve feature (see **Section 11.32.2.5 “AGC Preserve On Command”** and **Section 11.32.2.6 “AGC Preserve Off Command”** for AGC Preserve commands).

## 11.20 Soft Reset

The AFE issues a Soft Reset in the following events:

- After Power-on Reset (POR),
- After Inactivity timer time-out,
- If an "Abort" occurs,
- After receiving SPI Soft Reset command.

The "Abort" occurs if there is no positive signal detected at the end of the AGC stabilization period (TAGC). The Soft Reset initializes internal circuits and brings the AFE into a low current Standby mode operation. The internal circuits that are initialized by the Soft Reset include:

- Output Enable Filter
- AGC circuits
- Demodulator
- 32 kHz Internal Oscillator

The Soft Reset has no effect on the Configuration register setup, except for some of the AFE Status Register 7 bits. (Register 11-8).

The circuit initialization takes one internal clock cycle ( $1/32 \text{ kHz} = 31.25 \mu\text{s}$ ). During the initialization, the modulation transistors between each input and LCCOM pins are turned-on to discharge any internal/external parasitic charges. The modulation transistors are turned-off immediately after the initialization time.

The Soft Reset is executed in Active mode only. It is not valid in Standby mode.

## 11.21 Minimum Modulation Depth Requirement for Input Signal

The AFE demodulates the modulated input signal if the modulation depth of the input signal is greater than the minimum requirement that is programmed in the AFE Configuration Register 5 (Register 11-6). Figure 11-7 shows the definition of the modulation depth and examples. MODMIN<6:5> of the Configuration Register 5 offer four options. They are 75%, 50%, 25% and 12%, with a default setting of 50%.

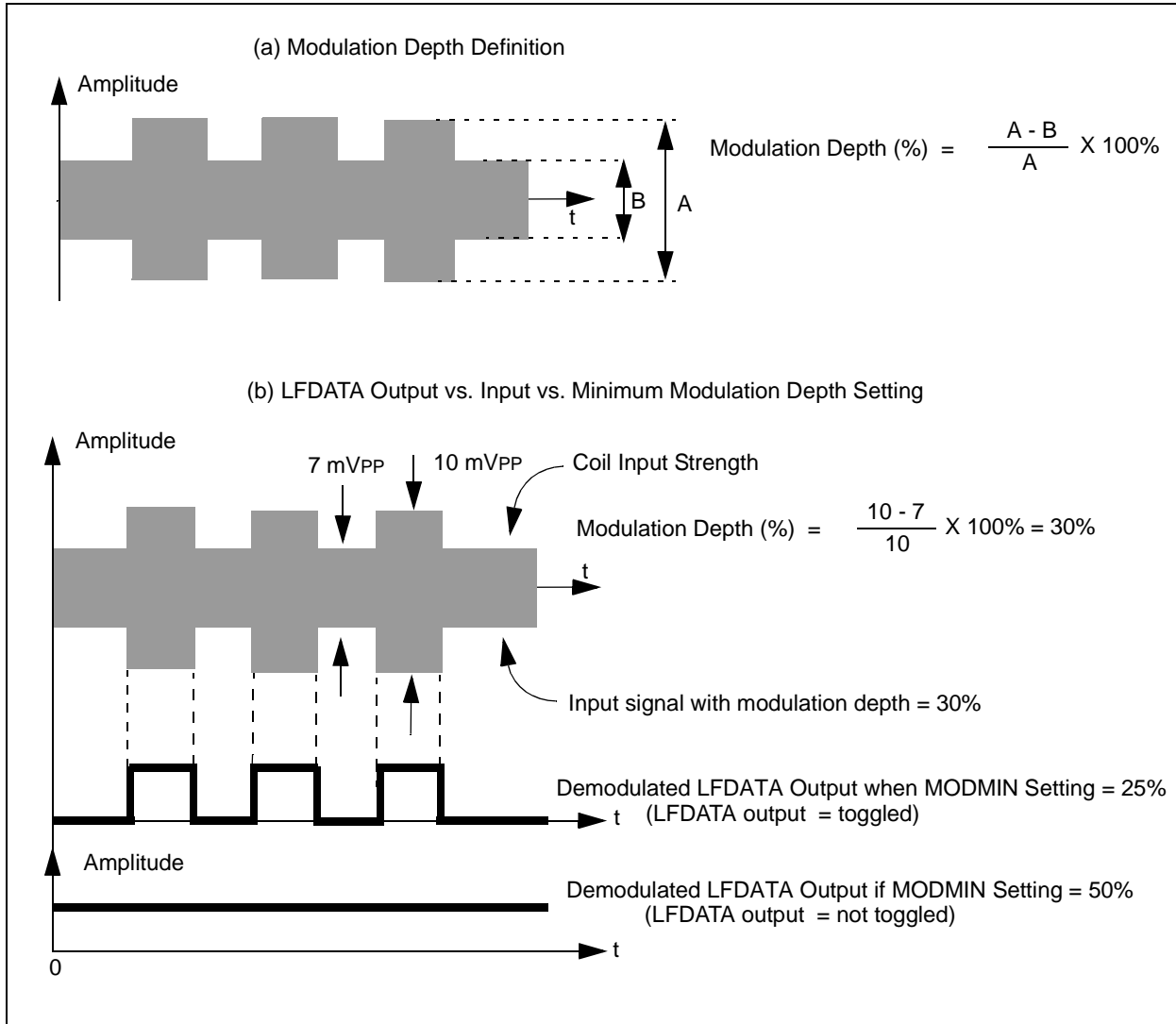
The purpose of this feature is to enhance the demodulation integrity of the input signal. The 12% setting is the best choice for the input signal with weak modulation depth, which is typically observed near the high-voltage base station antenna and also at far-distance from the base station antenna. It gives the best demodulation sensitivity, but is very susceptible to noise spikes that can result in a bit detection error. The 75% setting can reduce the bit errors caused by noise, but gives the least demodulation sensitivity. See Table 11-3 for minimum modulation depth requirement settings.

**TABLE 11-3: SETTING FOR MINIMUM MODULATION DEPTH REQUIREMENT**

| MODMIN Bits<br>(Config. Register 5) |       | Modulation Depth |
|-------------------------------------|-------|------------------|
| Bit 6                               | Bit 5 |                  |
| 0                                   | 0     | 50% (default)    |
| 0                                   | 1     | 75%              |
| 1                                   | 0     | 25%              |
| 1                                   | 1     | 12%              |

# PIC12F635/PIC16F636/639

FIGURE 11-7: MODULATION DEPTH EXAMPLES



# PIC12F635/PIC16F636/639

## 11.22 Low-Current Sleep Mode

The Sleep command from the microcontroller, via an SPI Interface command, places the AFE into an ultra Low-current mode. All circuits including the RF Limiter, except the minimum circuitry required to retain register memory and SPI capability, will be powered down to minimize the AFE current draw. Power-on Reset or any SPI command, other than Sleep command, is required to wake the AFE from Sleep.

## 11.23 Low-Current Standby Mode

The AFE is in Standby mode when no LF signal is present on the antenna inputs but the AFE is powered and ready to receive any incoming signals.

## 11.24 Low-Current Operating Mode

The AFE is in Low-current Operating mode when a LF signal is present on an LF antenna input and internal circuitry is switching with the received data.

## 11.25 Error Detection of AFE Configuration Register Data

The AFE's Configuration registers are volatile memory. Therefore, the contents of the registers can be corrupted or cleared by any electrical incidence such as battery disconnect. To ensure the data integrity, the AFE has an error detection mechanism using row and column parity bits of the Configuration register memory map. The bit 0 of each register is a row parity bit which is calculated over the eight Configuration bits (from bit 1 to bit 8). The Column Parity Register (Configuration Register 6) holds column parity bits; each bit is calculated over the respective columns (Configuration registers 0 to 5) of the Configuration bits. The STATUS register is not included for the column parity bit calculation. Parity is to be odd. The parity bit set or cleared makes an odd number of set bits. The user needs to calculate the row and column parity bits using the contents of the registers and program them. During operation, the AFE continuously calculates the row and column parity bits of the configuration memory map. If a parity error occurs, the AFE lowers the SCLK/ALERT pin (interrupting the microcontroller section) indicating the configuration memory has been corrupted or unloaded and needs to be reprogrammed.

At an initial condition after a Power-On-Reset, the values of the registers are all clear (default condition). Therefore, the AFE will issue the parity bit error by lowering the SCLK/ALERT pin. If user reprograms the registers with correct parity bits, the SCLK/ALERT pin will be toggled to logic high level immediately.

The parity bit errors do not change or affect the AFE's functional operation.

Table 11-4 shows an example of the register values and corresponding parity bits.

**TABLE 11-4: AFE CONFIGURATION REGISTER PARITY BIT EXAMPLE**

| Register Name  | Bit 8    | Bit 7    | Bit 6    | Bit 5    | Bit 4    | Bit 3    | Bit 2    | Bit 1    | Bit 0 (Row Parity) |
|--|----------|----------|----------|----------|----------|----------|----------|----------|--------------------|
| Configuration Register 0                                 | 1        | 0        | 1        | 0        | 1        | 0        | 0        | 0        | 0                  |
| Configuration Register 1                                 | 0        | 0        | 0        | 0        | 0        | 0        | 0        | 0        | 1                  |
| Configuration Register 2                                 | 0        | 0        | 0        | 0        | 0        | 0        | 0        | 0        | 1                  |
| Configuration Register 3                                 | 0        | 0        | 0        | 0        | 0        | 0        | 0        | 0        | 1                  |
| Configuration Register 4                                 | 0        | 0        | 0        | 0        | 0        | 0        | 0        | 0        | 1                  |
| Configuration Register 5                                 | 1        | 0        | 0        | 0        | 0        | 0        | 0        | 0        | 0                  |
| <b>Configuration Register 6 (Column Parity Register)</b> | <b>1</b> | <b>1</b> | <b>0</b> | <b>1</b> | <b>0</b> | <b>1</b> | <b>1</b> | <b>1</b> | <b>1</b>           |

# PIC12F635/PIC16F636/639

## 11.26 Factory Calibration

Microchip calibrates the AFE to reduce the device-to-device variation in standby current, internal timing and sensitivity, as well as channel-to-channel sensitivity variation.

## 11.27 De-Q'ing of Antenna Circuit

When the transponder is close to the base station, the transponder coil may develop coil voltage higher than VDE\_Q. This condition is called "near field". The AFE detects the strong near field signal through the AGC control, and de-Q'ing the antenna circuit to reduce the input signal amplitude.

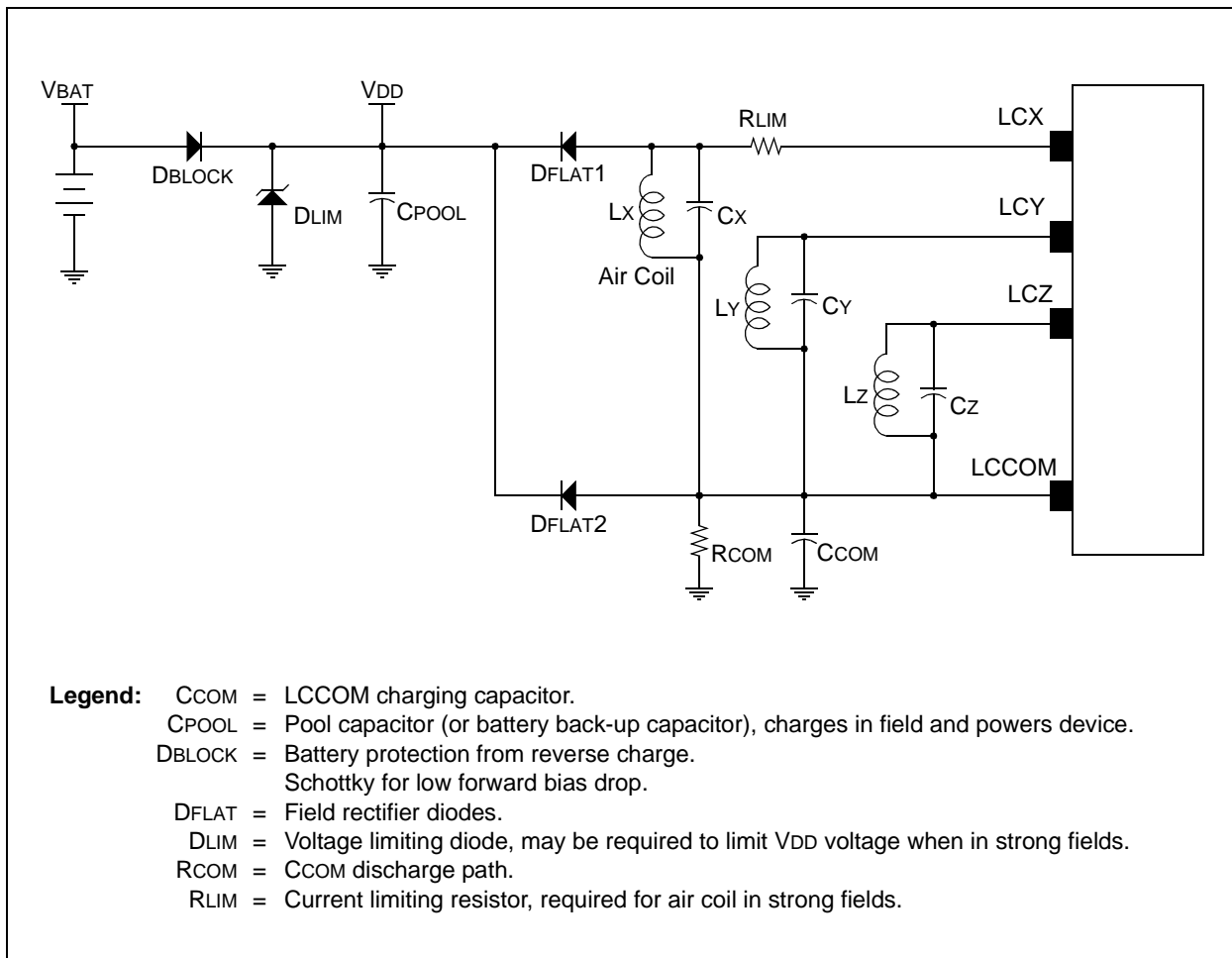
## 11.28 Battery Back-up and Batteryless Operation

The device supports both battery back-up and batteryless operation by the addition of external components, allowing the device to be partially or completely powered from the field.

Figure 11-8 shows an example of the external circuit for the battery back-up.

**Note:** Voltage on LCCOM combined with coil input voltage must not exceed the maximum LC input voltage.

**FIGURE 11-8: LF FIELD POWERING AND BATTERY BACK-UP EXAMPLE**

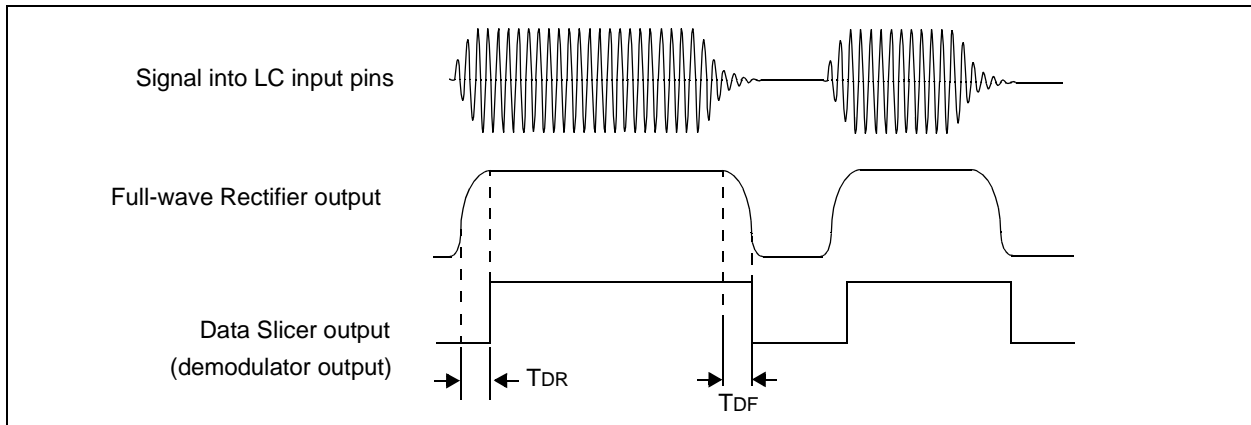




## 11.29 Demodulator

The demodulator recovers the modulation data from the received signal, containing carrier plus data, by appropriate envelope detection. The demodulator has a fast rise (charge) time (TDR) and a fall time (TDF) appropriate to an envelope of input signal (see **Section 15.0 “Electrical Specifications”** for TDR and TDF specifications). The demodulator contains the full-wave rectifier, low-pass filter, peak detector and data slicer.

**FIGURE 11-9: DEMODULATOR CHARGE AND DISCHARGE**



## 11.30 Power-On Reset

This circuit remains in a Reset state until a sufficient supply voltage is applied to the AFE. The Reset releases when the supply is sufficient for correct AFE operation, nominally  $V_{POR}$  of AFE.

The Configuration registers are all cleared on a Power-on Reset. As the Configuration registers are protected by odd row and column parity, the **ALERT** pin will be pulled down – indicating to the microcontroller section that the AFE configuration memory is cleared and requires loading.

## 11.31 LFDATA Output Selection

The LFDATA output can be configured to pass the Demodulator output, Received Signal Strength Indicator (RSSI) output, or Carrier Clock. See Configuration Register 1 (Register 11-2) for more details.

### 11.31.1 DEMODULATOR OUTPUT

The demodulator output is the default configuration of the output selection. This is the output of an envelope detection circuit. See Figure 11-9 for the demodulator output.

For a clean data output or to save operating power, the input channels can be individually enabled or disabled. If more than one channel is enabled, the output is the sum of each output of all enabled channels. There will be no valid output if all three channels are disabled. When the demodulated output is selected, the output is available in two different conditions depending on how the options of Configuration Register 0 (Register 11-1) are set: Output Enable Filter is disabled or enabled.

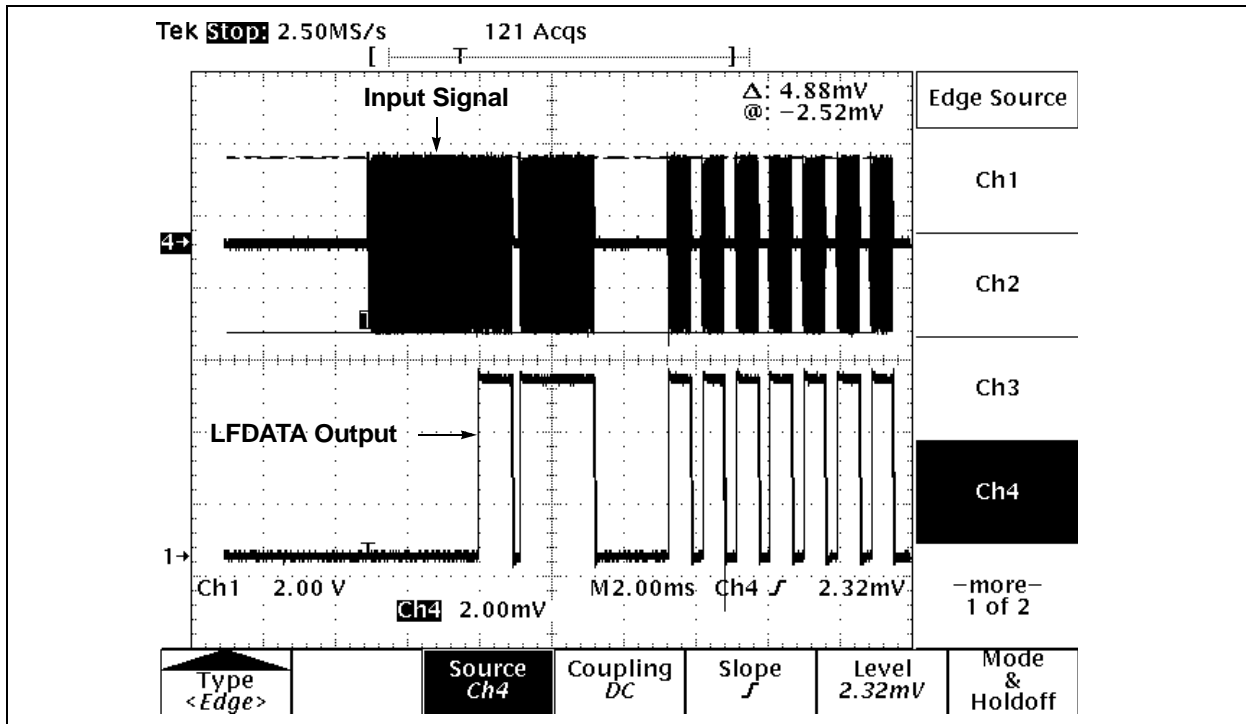
#### Related Configuration register bits:

- Configuration Register 1 (Register 11-2), DATOUT <8:7>:
  - bit 8 bit 7
  - 0 0: Demodulator Output
  - 0 1: Carrier Clock Output
  - 1 0: RSSI Output
  - 0 1: RSSI Output
- Configuration Register 0 (Register 11-1): all bits

# PIC12F635/PIC16F636/639

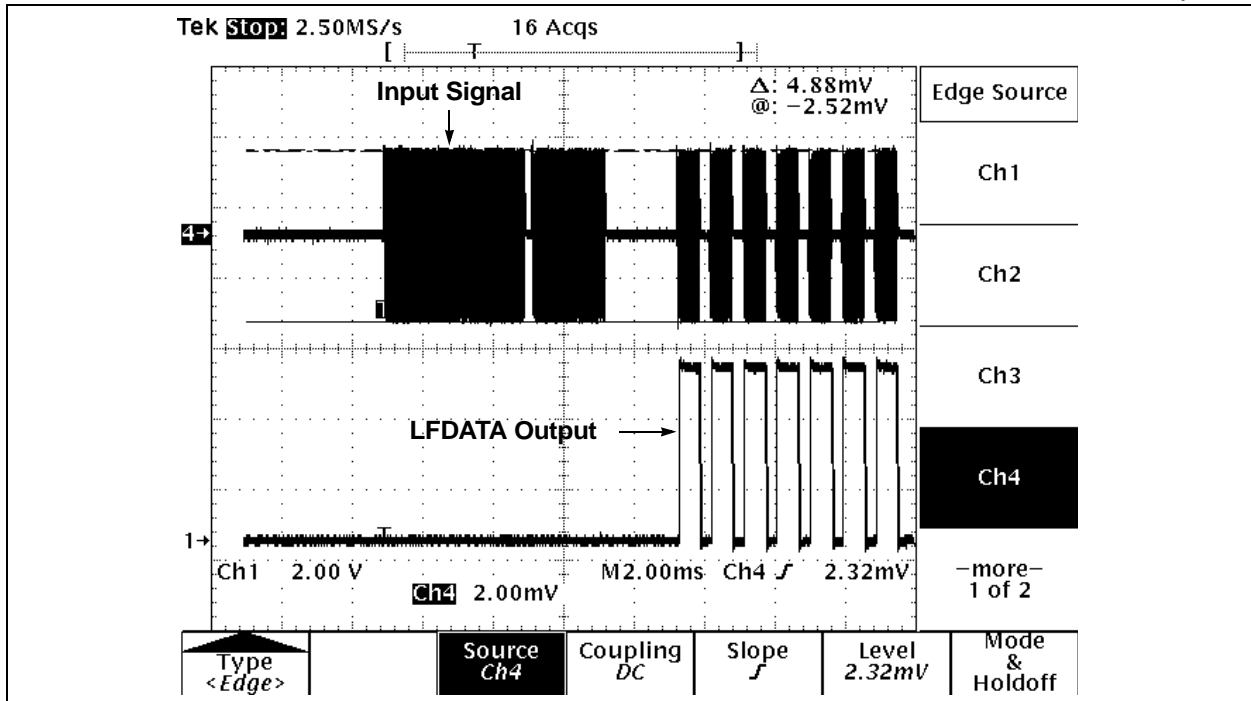
**Case I. When Output Enable Filter is disabled:** Demodulated output is available immediately after the AGC stabilization time (TAGC). Figure 11-10 shows an example of demodulated output when the Output Enable Filter is disabled.

**FIGURE 11-10: INPUT SIGNAL AND DEMODULATOR OUTPUT WHEN THE OUTPUT ENABLE FILTER IS DISABLED**

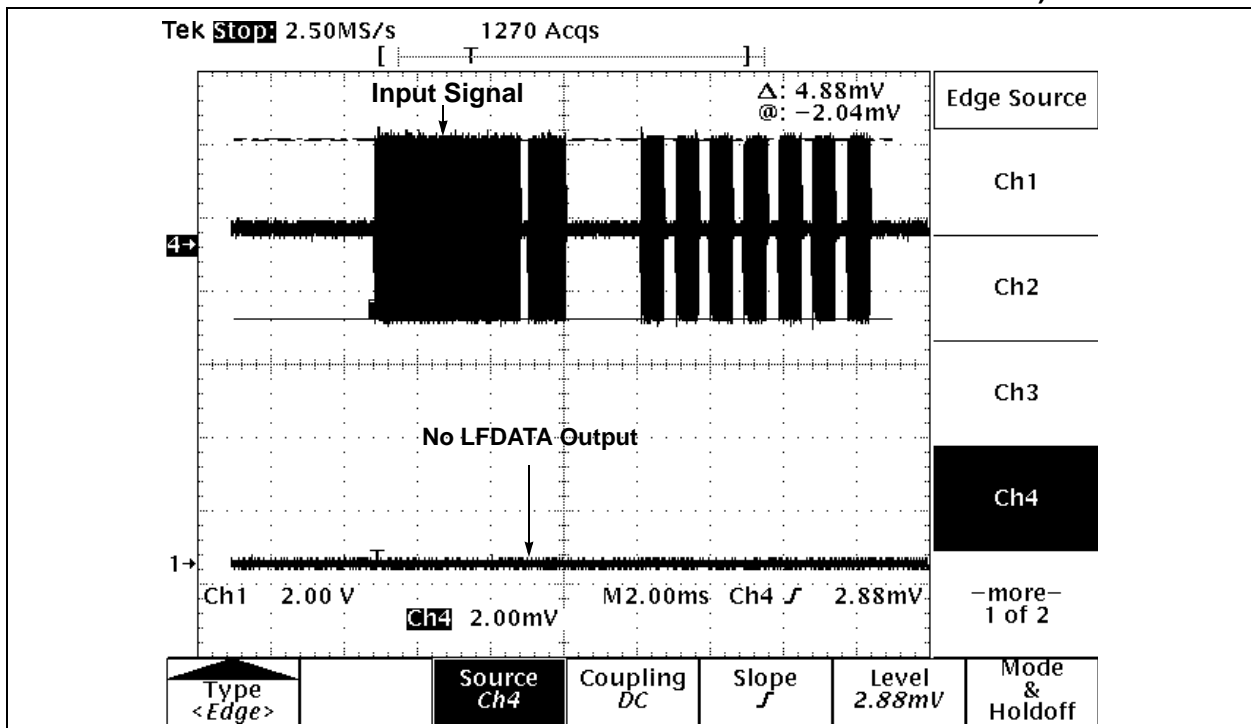


**Case II. When Output Enable Filter is enabled:** Demodulated output is available only if the incoming signal meets the enable filter timing criteria that is defined in the Configuration Register 0 (Register 11-1). If the criteria is met, the output is available after the low timing (TOEL) of the Enable Filter. Figure 11-11 and Figure 11-12 shows examples of demodulated output when the Output Enable Filter is enabled.

**FIGURE 11-11: INPUT SIGNAL AND DEMODULATOR OUTPUT (WHEN OUTPUT ENABLE FILTER IS ENABLED AND INPUT MEETS FILTER TIMING REQUIREMENTS)**



**FIGURE 11-12: NO DEMODULATOR OUTPUT (WHEN OUTPUT ENABLE FILTER IS ENABLED BUT INPUT DOES NOT MEET FILTER TIMING REQUIREMENTS)**



# PIC12F635/PIC16F636/639

---

## 11.31.2 CARRIER CLOCK OUTPUT

When the Carrier Clock output is selected, the LFDATA output is a square pulse of the input carrier clock and available as soon as the AGC stabilization time (TAGC) is completed. There are two Configuration register options for the carrier clock output: (a) clock divide-by one or (b) clock divide-by four, depending on bit DATOUT<7> of Configuration Register 2 (Register 11-3). The carrier clock output is available immediately after the AGC settling time. The Output Enable Filter, AGCSIG, and MODMIN options are applicable for the carrier clock output in the same way as the demodulated output. The input channel can be individually enabled or disabled for the output. If more than one channel is enabled, the output is the sum of each output of all enabled channels. Therefore, the carrier clock output waveform is not as precise as when only one channel is enabled. It is recommended to enable one channel only if a precise output waveform is desired.

There will be no valid output if all three channels are disabled. See Figure 11-13 for carrier clock output examples.

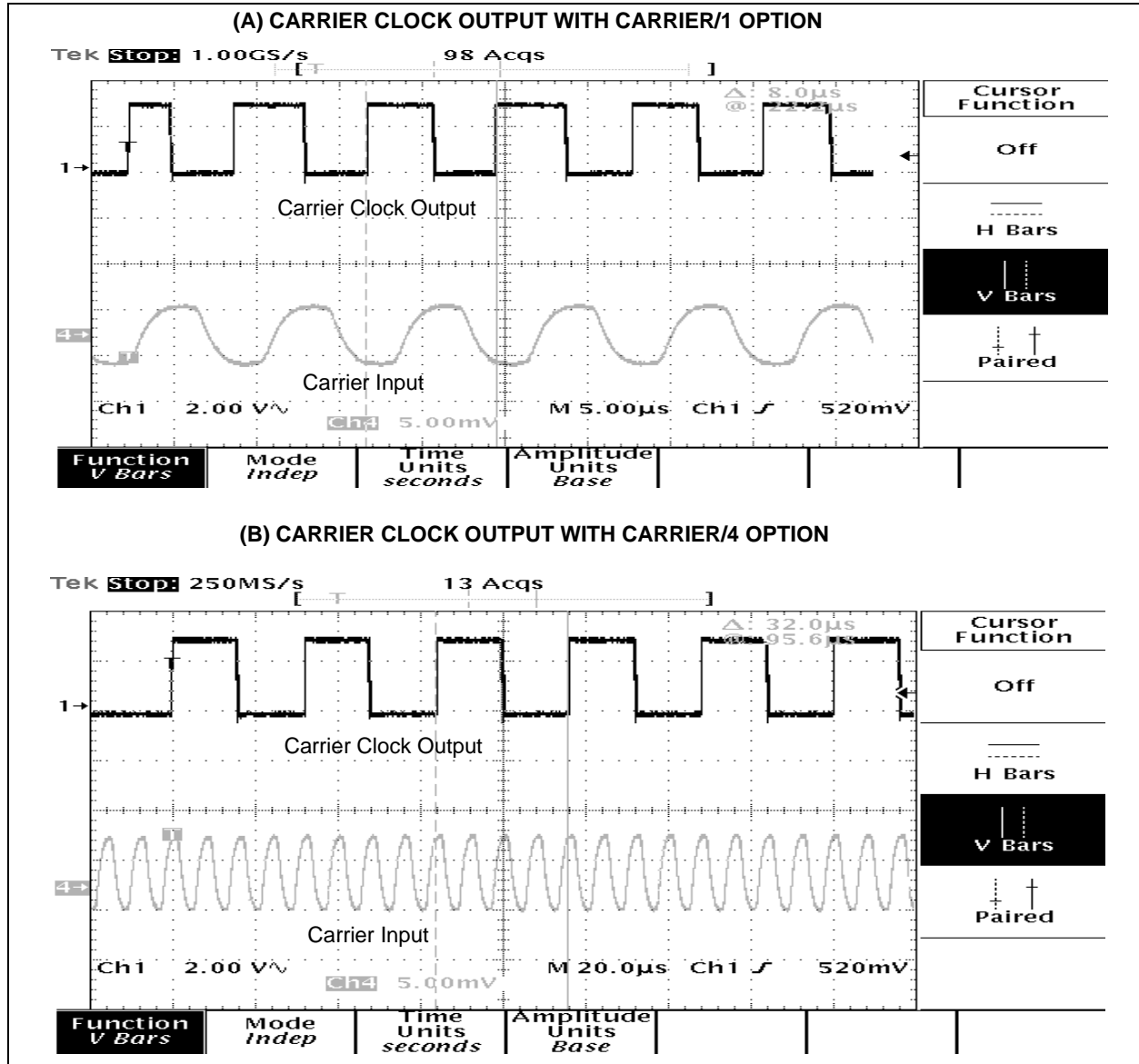
### Related Configuration register bits:

- Configuration Register 1 (Register 11-2), DATOUT <8:7>:

| <u>bit 8</u> | <u>bit 7</u>            |
|--------------|-------------------------|
| 0            | 0: Demodulator Output   |
| 0            | 1: Carrier Clock Output |
| 1            | 0: RSSI Output          |
| 1            | 1: RSSI Output          |
- Configuration Register 2 (Register 11-3), CLKDIV<7>:

|    |                 |
|----|-----------------|
| 0: | Carrier Clock/1 |
| 1: | Carrier Clock/4 |
- Configuration Register 0 (Register 11-1): all bits are affected
- Configuration Register 5 (Register 11-6)

FIGURE 11-13: CARRIER CLOCK OUTPUT EXAMPLES



# PIC12F635/PIC16F636/639

## 11.31.3 RECEIVED SIGNAL STRENGTH INDICATOR (RSSI) OUTPUT

An analog current is available at the LFDATA pin when the Received Signal Strength Indicator (RSSI) output is selected for the AFE's Configuration register. The analog current is linearly proportional to the input signal strength (see Figure 11-15).

All timers in the circuit, such as inactivity timer, alarm timer, and AGC settling time, are disabled during the RSSI mode. Therefore, the RSSI output is not affected by the AGC settling time, and available immediately when the RSSI option is selected. The AFE enters Active mode immediately when the RSSI output is selected. The MCU I/O pin (RC3) connected to the LFDATA pin, must be set to high-impedance state during the RSSI Output mode.

When the AFE receives an SPI command during the RSSI output, the RSSI mode is temporary disabled until the SPI interface communication is completed. It returns to the RSSI mode again after the SPI interface communication is completed. The AFE holds the RSSI mode until another output type is selected ( $\overline{CS}$  low turns off the RSSI signal). To obtain the RSSI output for a particular input channel, or to save operating power, the input channel can be individually enabled or disabled. If more than one channel is enabled, the RSSI output is from the strongest signal channel. There will be no valid output if all three channels are disabled.

### Related AFE Configuration register bits:

- Configuration Register 1 (Register 11-2), DATOUT<8:7>:

| bit 8 | bit 7                   |
|-------|-------------------------|
| 0     | 0: Demodulated Output   |
| 0     | 1: Carrier Clock Output |
| 1     | 0: RSSI Output          |
| 1     | 1: RSSI Output          |

- Configuration Register 2 (Register 11-3), RSSIFET<8>:

0: Pull-Down MOSFET off  
1: Pull-Down MOSFET on.

**Note:** The pull-down MOSFET option is valid only when the RSSI output is selected. The MOSFET is not controllable by users when Demodulated or Carrier Clock output option is selected.

- Configuration Register 0 (Register 11-1): all bits are affected.

FIGURE 11-14: RSSI OUTPUT PATH

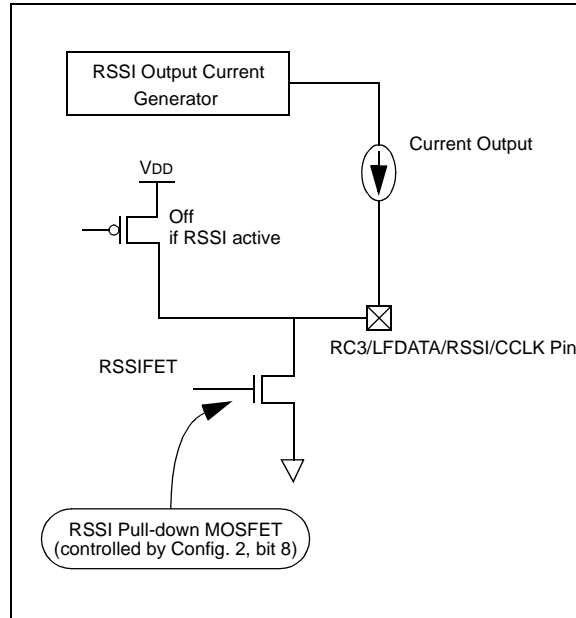
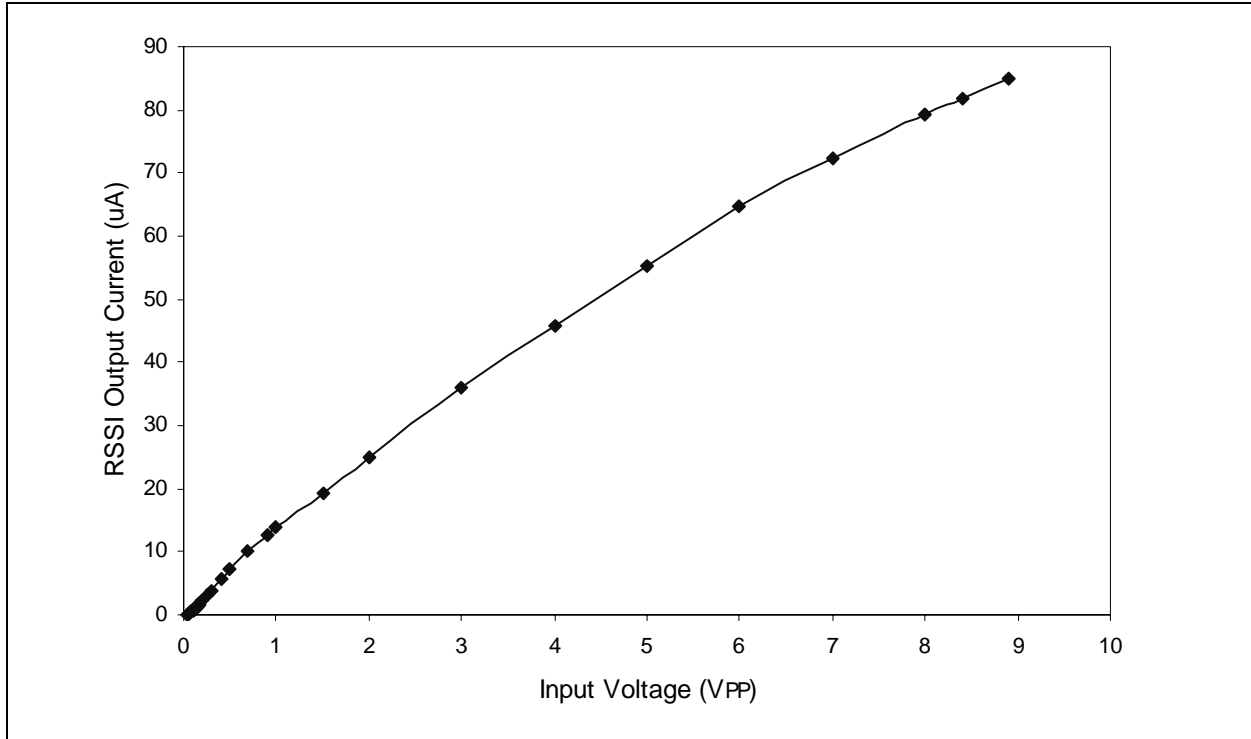


FIGURE 11-15: RSSI OUTPUT CURRENT VS. INPUT SIGNAL LEVEL EXAMPLE



# PIC12F635/PIC16F636/639

## 11.31.3.1 ANALOG-TO-DIGITAL DATA CONVERSION OF RSSI SIGNAL

The AFE's RSSI output is an analog current. It needs an external Analog-to-Digital (ADC) data conversion device for digitized output. The ADC data conversion can be accomplished by using a stand-alone external ADC device or by firmware utilizing MCU's internal comparator along with a few external resistors and a capacitor. For slope ADC implementations, the external capacitor at the LFDATA pad needs to be discharged before data sampling. For this purpose, the internal pull-down MOSFET on the LFDATA pad can be utilized. The MOSFET can be turned on or off with bit `RSSIFET<8>` of the Configuration Register 2 (Register 11-3). When it is turned on, the internal MOSFET provides a discharge path for the external capacitor. This MOSFET option is valid only if RSSI output is selected and not controllable by users for demodulated or carrier clock output options.

See separate application notes for various external ADC implementation methods for this device.

## 11.32 AFE Configuration

### 11.32.1 SPI COMMUNICATION

The AFE SPI interface communication is used to read or write the AFE's Configuration registers and to send command only messages. For the SPI interface, the device has three pads;  $\overline{CS}$ ,  $SCLK/ALERT$ , and  $LFDATA/RSSI/CCLK/SDIO$ . Figure 11-15, Figure 11-14, Figure 11-16 and Figure 11-17 shows examples of the SPI communication sequences.

When the device powers up, these pins will be high-impedance inputs until firmware modifies them appropriately. The AFE pins connected to the MCU pins will be as follows.

#### $\overline{CS}$

- Pin is permanently an input with an internal pull-up.

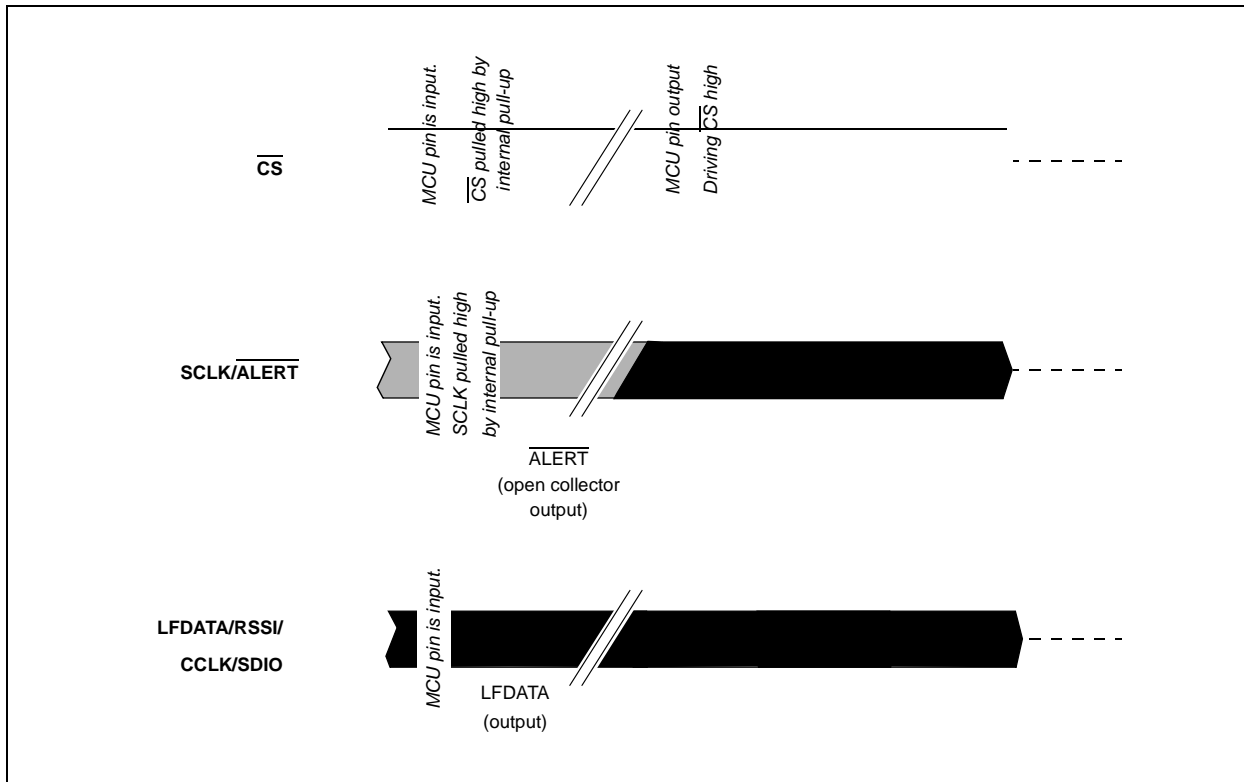
#### $SCLK/ALERT$

- Pin is an open collector output when  $\overline{CS}$  is high. An internal pull-up resistor exists internal to the AFE to ensure no spurious SPI communication between powering and the MCU configuring its pins. This pin becomes the SPI clock input when  $\overline{CS}$  is low.

#### $LFDATA/RSSI/CCLK/SDIO$

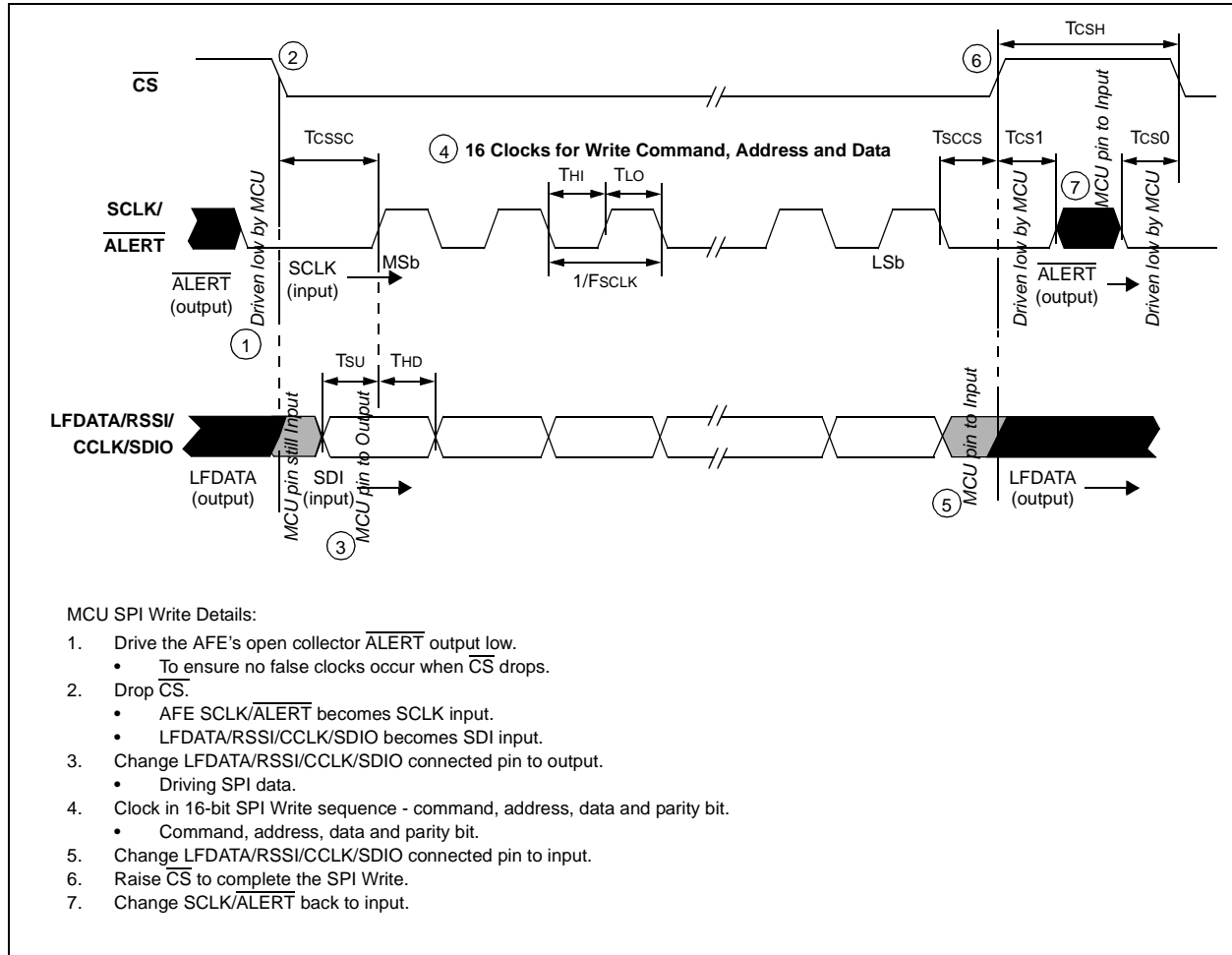
- Pin is a digital output ( $LFDATA$ ) so long as  $\overline{CS}$  is high. During SPI communication, the pin is the SPI data input ( $SDI$ ) unless performing a register Read, where it will be the SPI data output ( $SDO$ ).

FIGURE 11-16: POWER-UP SEQUENCE



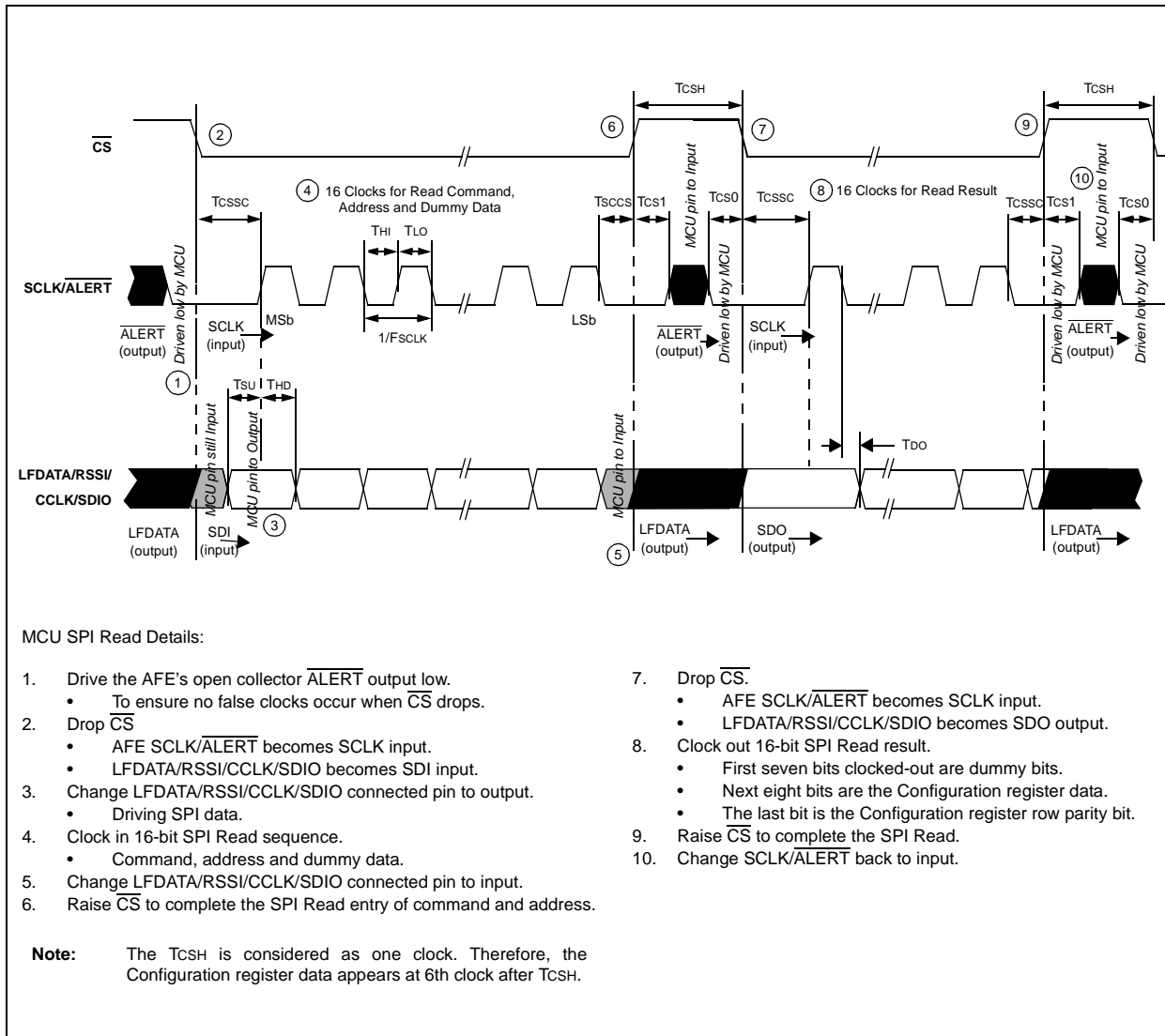


**FIGURE 11-17: SPI WRITE SEQUENCE**



# PIC12F635/PIC16F636/639

FIGURE 11-18: SPI READ SEQUENCE



# PIC12F635/PIC16F636/639

## 11.32.2 COMMAND DECODER/CONTROLLER

The circuit executes 8 SPI commands from the MCU. The command structure is:

Command (3 bits) + Configuration Address (4 bits) + Data Byte and Row Parity Bit received by the AFE Most Significant bit first. Table 11-5 shows the available SPI commands.

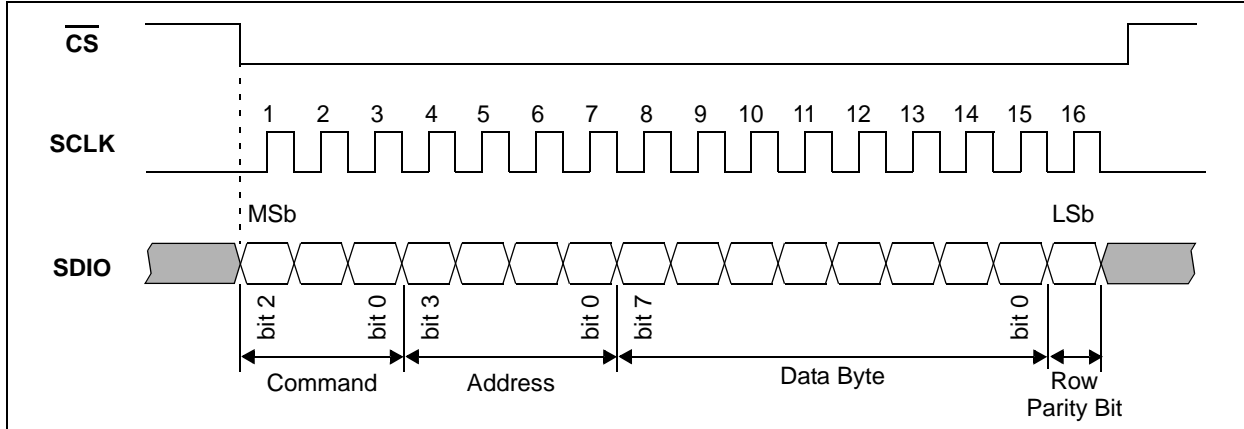
The AFE operates in SPI mode 0,0. In mode 0,0 the clock idles in the low state (Figure 11-19). SDI data is loaded into the AFE on the rising edge of SCLK and SDO data is clocked out on the falling edge of SCLK. There must be multiples of 16 clocks (SCLK) while CS is low or commands will abort.

**TABLE 11-5: SPI COMMANDS (AFE)**

| Command  | Address | Data          | Row Parity | Description   |
|--|---------|---------------|------------|---|
| <b>Command only – Address and Data are “Don’t Care”, but need to be clocked in regardless.</b> |         |               |            |   |
| 000  | XXXX    | XXXX XXXX     | X          | Clamp on – enable modulation circuit                            |
| 001  | XXXX    | XXXX XXXX     | X          | Clamp off – disable modulation circuit                          |
| 010  | XXXX    | XXXX XXXX     | X          | Enter Sleep mode (any other command wakes the AFE)              |
| 011  | XXXX    | XXXX XXXX     | X          | AGC Preserve On – to temporarily preserve the current AGC level |
| 100  | XXXX    | XXXX XXXX     | X          | AGC Preserve Off – AGC again tracks strongest input signal      |
| 101  | XXXX    | XXXX XXXX     | X          | Soft Reset – resets various circuit blocks                      |
| <b>Read Command – Data will be read from the specified register address.</b>                   |         |               |            |   |
| 110  | 0000    | Config Byte 0 | P          | General – options that may change during normal operation       |
|  | 0001    | Config Byte 1 | P          | LCX antenna tuning and LFDATA output format                     |
|  | 0010    | Config Byte 2 | P          | LCY antenna tuning  |
|  | 0011    | Config Byte 3 | P          | LCZ antenna tuning  |
|  | 0100    | Config Byte 4 | P          | LCX and LCY sensitivity reduction                               |
|  | 0101    | Config Byte 5 | P          | LCZ sensitivity reduction and modulation depth                  |
|  | 0110    | Column Parity | P          | Column parity byte for Config Byte 0 -> Config Byte 5           |
|  | 0111    | AFE Status    | X          | AFE status – parity error, which input is active, etc.          |
| <b>Write Command – Data will be written to the specified register address.</b>                 |         |               |            |   |
| 111  | 0000    | Config Byte 0 | P          | General – options that may change during normal operation       |
|  | 0001    | Config Byte 1 | P          | LCX antenna tuning and LFDATA output format                     |
|  | 0010    | Config Byte 2 | P          | LCY antenna tuning  |
|  | 0011    | Config Byte 3 | P          | LCZ antenna tuning  |
|  | 0100    | Config Byte 4 | P          | LCX and LCY sensitivity reduction                               |
|  | 0101    | Config Byte 5 | P          | LCZ sensitivity reduction and modulation depth                  |
|  | 0110    | Column Parity | P          | Column parity byte for Config Byte 0 -> Config Byte 5           |
|  | 0111    | Not Used      | X          | Register is readable, but not writable                          |
| <b>Note:</b> ‘P’ denotes the row parity bit (odd parity) for the respective data byte.         |         |               |            |   |

# PIC12F635/PIC16F636/639

FIGURE 11-19: DETAILED SPI INTERFACE TIMING (AFE)



## 11.32.2.1 Clamp On Command

This command results in activating (turning on) the modulation transistors of all enabled channels; channels enabled in Configuration Register 0 (Register 11-1).

## 11.32.2.2 Clamp Off Command

This command results in de-activating (turning off) the modulation transistors of all channels.

## 11.32.2.3 Sleep Command

This command places the AFE in Sleep mode – minimizing current draw by disabling all but the essential circuitry. Any other command wakes the AFE (example: Clamp Off command).

## 11.32.2.4 Soft Reset Command

The AFE issues a Soft Reset when it receives an external Soft Reset command. The external Soft Reset command is typically used to end a SPI communication sequence or to initialize the AFE for the next signal detection sequence, etc. See **Section 11.20 “Soft Reset”** for more details on Soft Reset.

If a Soft Reset command is sent during a “Clamp-on” condition, the AFE still keeps the “Clamp-on” condition after the Soft Reset execution. The Soft Reset is executed in Active mode only, not in Standby mode. The SPI Soft Reset command is ignored if the AFE is not in Active mode.

## 11.32.2.5 AGC Preserve On Command

This command results in preserving the AGC level during each AGC settling time and apply the value to the data slicing circuit for the following data stream. The preserved AGC value is reset by a Soft Reset, and a new AGC value is acquired and preserved when it starts a new AGC settling time. This feature is disabled by an AGC Preserve Off command (see **Section 11.19 “AGC Preserve”**).

## 11.32.2.6 AGC Preserve Off Command

This command disables the AGC preserve feature and returns the AFE to the normal AGC tracking mode, fast tracking during AGC settling time and slow tracking after that (see **Section 11.19 “AGC Preserve”**).

## 11.32.3 CONFIGURATION REGISTERS

The AFE includes 8 Configuration registers, including a column parity register and AFE Status Register. All registers are readable and writable via SPI, except STATUS register, which is readable only. Bit 0 of each register is a row parity bit (except for the AFE Status Register 7) that makes the register contents an odd number.

# PIC12F635/PIC16F636/639

**TABLE 11-6: ANALOG FRONT-END CONFIGURATION REGISTERS SUMMARY**

| Register Name            | Address | Bit 8                         | Bit 7  | Bit 6                      | Bit 5                         | Bit 4                         | Bit 3 | Bit 2 | Bit 1 | Bit 0 |
|--------------------------|---------|-------------------------------|--------|----------------------------|-------------------------------|-------------------------------|-------|-------|-------|-------|
| Configuration Register 0 | 0000    | OEH                           |        | OEL                        |                               | ALRTIND                       | LCZEN | LCYEN | LCXEN | R0PAR |
| Configuration Register 1 | 0001    | DATOUT                        |        |                            | Channel X Tuning Capacitor    |                               |       |       |       | R1PAR |
| Configuration Register 2 | 0010    | RSSIFET                       | CLKDIV | Channel Y Tuning Capacitor |                               |                               |       |       | R2PAR |       |
| Configuration Register 3 | 0011    | Unimplemented                 |        |                            | Channel Z Tuning Capacitor    |                               |       |       |       | R3PAR |
| Configuration Register 4 | 0100    | Channel X Sensitivity Control |        |                            | Channel Y Sensitivity Control |                               |       |       |       | R4PAR |
| Configuration Register 5 | 0101    | AUTOCHSEL                     | AGCSIG | MODMIN                     | MODMIN                        | Channel Z Sensitivity Control |       |       |       | R5PAR |
| Column Parity Register 6 | 0110    | Column Parity Bits            |        |                            |                               |                               |       |       |       | R6PAR |
| AFE Status Register 7    | 0111    | Active Channel Indicators     |        |                            | AGCACT                        | Wake-up Channel Indicators    |       |       | ALARM | PEI   |

**REGISTER 11-1: CONFIGURATION REGISTER 0**

| R/W-0 | R/W-0 | R/W-0 | R/W-0 | R/W-0   | R/W-0 | R/W-0 | R/W-0 | R/W-0 | R/W-0 |
|-------|-------|-------|-------|---------|-------|-------|-------|-------|-------|
| OEH1  | OEH0  | OEL1  | OEL0  | ALRTIND | LCZEN | LCYEN | LCXEN | R0PAR |       |
| bit 8 |       |       |       |         |       |       |       | bit 0 |       |

**Legend:**

R = Readable bit                      W = Writable bit                      U = Unimplemented bit, read as '0'  
-n = Value at POR                      '1' = Bit is set                      '0' = Bit is cleared                      x = Bit is unknown

- bit 8-7        **OEH<1:0>**: Output Enable Filter High Time (TOEH) bit  
00 = Output Enable Filter disabled (no wake-up sequence required, passes all signal to LFDATA)  
01 = 1 ms  
10 = 2 ms  
11 = 4 ms
- bit 6-5        **OEL<1:0>**: Output Enable Filter Low Time (TOEL) bit  
00 = 1 ms  
01 = 1 ms  
10 = 2 ms  
11 = 4 ms
- bit 4        **ALRTIND**:  $\overline{\text{ALERT}}$  bit, output triggered by:  
1 = Parity error and/or expired Alarm timer (receiving noise, see **Section 11.14.3 "Alarm Timer"**)  
0 = Parity error
- bit 3        **LCZEN**: LCZ Enable bit  
1 = Disabled  
0 = Enabled
- bit 2        **LCYEN**: LCY Enable bit  
1 = Disabled  
0 = Enabled
- bit 1        **LCXEN**: LCX Enable bit  
1 = Disabled  
0 = Enabled
- bit 0        **R0PAR**: Register Parity bit – set/cleared so the 9-bit register contains odd parity – an odd number of set bits

# PIC12F635/PIC16F636/639

## REGISTER 11-2: CONFIGURATION REGISTER 1

|         |         |         |         |         |         |         |         |       |
|---------|---------|---------|---------|---------|---------|---------|---------|-------|
| R/W-0   | R/W-0   | R/W-0   | R/W-0   | R/W-0   | R/W-0   | R/W-0   | R/W-0   | R/W-0 |
| DATOUT1 | DATOUT0 | LCXTUN5 | LCXTUN4 | LCXTUN3 | LCXTUN2 | LCXTUN1 | LCXTUN0 | R1PAR |
| bit 8   |         |         |         |         |         |         |         | bit 0 |

|                   |                  |                                    |                    |
|-------------------|------------------|------------------------------------|--------------------|
| <b>Legend:</b>    |                  |                                    |                    |
| R = Readable bit  | W = Writable bit | U = Unimplemented bit, read as '0' |                    |
| -n = Value at POR | '1' = Bit is set | '0' = Bit is cleared               | x = Bit is unknown |

- bit 8-7     **DATOUT<1:0>**: LFDATA Output type bit  
00 = Demodulated output  
01 = Carrier Clock output  
10 = RSSI output  
11 = RSSI output
- bit 6-1     **LCXTUN<5:0>**: LCX Tuning Capacitance bit  
000000 = +0 pF (Default)  
:  
111111 = +63 pF
- bit 0       **R1PAR**: Register Parity Bit – set/cleared so the 9-bit register contains odd parity – an odd number of set bits

## REGISTER 11-3: CONFIGURATION REGISTER 2

|         |        |         |         |         |         |         |         |       |
|---------|--------|---------|---------|---------|---------|---------|---------|-------|
| R/W-0   | R/W-0  | R/W-0   | R/W-0   | R/W-0   | R/W-0   | R/W-0   | R/W-0   | R/W-0 |
| RSSIFET | CLKDIV | LCYTUN5 | LCYTUN4 | LCYTUN3 | LCYTUN2 | LCYTUN1 | LCYTUN0 | R2PAR |
| bit 8   |        |         |         |         |         |         |         | bit 0 |

|                   |                  |                                    |                    |
|-------------------|------------------|------------------------------------|--------------------|
| <b>Legend:</b>    |                  |                                    |                    |
| R = Readable bit  | W = Writable bit | U = Unimplemented bit, read as '0' |                    |
| -n = Value at POR | '1' = Bit is set | '0' = Bit is cleared               | x = Bit is unknown |

- bit 8       **RSSIFET**: Pull-down MOSFET on LFDATA pad bit (controllable by user in the RSSI mode only)  
1 = Pull-down RSSI MOSFET on  
0 = Pull-down RSSI MOSFET off
- bit 7       **CLKDIV**: Carrier Clock Divide-by bit  
1 = Carrier Clock/4  
0 = Carrier Clock/1
- bit 6-1     **LCYTUN<5:0>**: LCY Tuning Capacitance bit  
000000 = +0 pF (Default)  
:  
111111 = +63 pF
- bit 0       **R2PAR**: Register Parity Bit – set/cleared so the 9-bit register contains odd parity – an odd number of set bits

# PIC12F635/PIC16F636/639

## REGISTER 11-4: CONFIGURATION REGISTER 3

|       |     |         |         |         |         |         |         |       |
|-------|-----|---------|---------|---------|---------|---------|---------|-------|
| U-0   | U-0 | R/W-0   | R/W-0   | R/W-0   | R/W-0   | R/W-0   | R/W-0   | R/W-0 |
| —     | —   | LCZTUN5 | LCZTUN4 | LCZTUN3 | LCZTUN2 | LCZTUN1 | LCZTUN0 | R3PAR |
| bit 8 |     |         |         |         |         |         |         | bit 0 |

### Legend:

R = Readable bit      W = Writable bit      U = Unimplemented bit, read as '0'  
 -n = Value at POR      '1' = Bit is set      '0' = Bit is cleared      x = Bit is unknown

bit 8-7      **Unimplemented:** Read as '0'

bit 6-1      **LCZTUN<5:0>:** LCZ Tuning Capacitance bit

000000 = +0 pF (Default)

:

111111 = +63 pF

bit 0      **R3PAR:** Register Parity Bit – set/cleared so the 9-bit register contains odd parity – an odd number of set bits

## REGISTER 11-5: CONFIGURATION REGISTER 4

|         |         |         |         |         |         |         |         |       |
|---------|---------|---------|---------|---------|---------|---------|---------|-------|
| R/W-0   | R/W-0   | R/W-0   | R/W-0   | R/W-0   | R/W-0   | R/W-0   | R/W-0   | R/W-0 |
| LCXSEN3 | LCXSEN2 | LCXSEN1 | LCXSEN0 | LCYSEN3 | LCYSEN2 | LCYSEN1 | LCYSEN0 | R4PAR |
| bit 8   |         |         |         |         |         |         |         | bit 0 |

### Legend:

R = Readable bit      W = Writable bit      U = Unimplemented bit, read as '0'  
 -n = Value at POR      '1' = Bit is set      '0' = Bit is cleared      x = Bit is unknown

bit 8-5      **LCXSEN<3:0><sup>(1)</sup>:** Typical LCX Sensitivity Reduction bit

0000 = -0 dB (Default)

0001 = -2 dB

0010 = -4 dB

0011 = -6 dB

0100 = -8 dB

0101 = -10 dB

0110 = -12 dB

0111 = -14 dB

1000 = -16 dB

1001 = -18 dB

1010 = -20 dB

1011 = -22 dB

1100 = -24 dB

1101 = -26 dB

1110 = -28 dB

1111 = -30 dB

bit 4-1      **LCYSEN<3:0><sup>(1)</sup>:** Typical LCY Sensitivity Reduction bit

0000 = -0 dB (Default)

:

1111 = -30 dB

bit 0      **R4PAR:** Register Parity Bit – set/cleared so the 9-bit register contains odd parity – an odd number of set bits

**Note 1:** Assured monotonic increment (or decrement) by design.

# PIC12F635/PIC16F636/639

## REGISTER 11-6: CONFIGURATION REGISTER 5

| R/W-0     | R/W-0  | R/W-0   | R/W-0   | R/W-0   | R/W-0   | R/W-0   | R/W-0   | R/W-0 |
|-----------|--------|---------|---------|---------|---------|---------|---------|-------|
| AUTOCHSEL | AGCSIG | MODMIN1 | MODMIN0 | LCZSEN3 | LCZSEN2 | LCZSEN1 | LCZSEN0 | R5PAR |
| bit 8     |        |         |         |         |         |         |         | bit 0 |

### Legend:

R = Readable bit                      W = Writable bit                      U = Unimplemented bit, read as '0'  
 -n = Value at POR                      '1' = Bit is set                      '0' = Bit is cleared                      x = Bit is unknown

- bit 8                      **AUTOCHSEL**: Auto Channel Select bit  
 1 = Enabled – AFE selects channel(s) that has demodulator output “high” at the end of TSTAB; or otherwise, blocks the channel(s).  
 0 = Disabled – AFE follows channel enable/disable bits defined in Register 0
- bit 7                      **AGCSIG**: Demodulator Output Enable bit, after the AGC loop is active  
 1 = Enabled – No output until AGC is regulating at around 20 mVPP at input pins. The AGC Active Status bit is set when the AGC begins regulating.  
 0 = Disabled – the AFE passes signal of any level it is capable of detecting
- bit 6-5                      **MODMIN<1:0>**: Minimum Modulation Depth bit  
 00 = 50%  
 01 = 75%  
 10 = 25%  
 11 = 12%
- bit 4-1                      **LCZSEN<3:0>**<sup>(1)</sup>: LCZ Sensitivity Reduction bit  
 0000 = -0dB (Default)  
 :  
 1111 = -30dB
- bit 0                      **R5PAR**: Register Parity Bit – set/cleared so the 9-bit register contains odd parity – an odd number of set bits

**Note 1:** Assured monotonic increment (or decrement) by design.

## REGISTER 11-7: COLUMN PARITY REGISTER 6

| R/W-0   | R/W-0   | R/W-0   | R/W-0   | R/W-0   | R/W-0   | R/W-0   | R/W-0   | R/W-0 |
|---------|---------|---------|---------|---------|---------|---------|---------|-------|
| COLPAR7 | COLPAR6 | COLPAR5 | COLPAR4 | COLPAR3 | COLPAR2 | COLPAR1 | COLPAR0 | R6PAR |
| bit 8   |         |         |         |         |         |         |         | bit 0 |

### Legend:

R = Readable bit                      W = Writable bit                      U = Unimplemented bit, read as '0'  
 -n = Value at POR                      '1' = Bit is set                      '0' = Bit is cleared                      x = Bit is unknown

- bit 8                      **COLPAR7**: Set/Cleared so that this 8th parity bit + the sum of the Configuration register row parity bits contain an odd number of set bits.
- bit 7                      **COLPAR6**: Set/Cleared such that this 7th parity bit + the sum of the 7th bits in Configuration Registers 0 through 5 contain an odd number of set bits.
- bit 6                      **COLPAR5**: Set/Cleared such that this 6th parity bit + the sum of the 6th bits in Configuration Registers 0 through 5 contain an odd number of set bits.
- bit 5                      **COLPAR4**: Set/Cleared such that this 5th parity bit + the sum of the 5th bits in Configuration Registers 0 through 5 contain an odd number of set bits.
- bit 4                      **COLPAR3**: Set/Cleared such that this 4th parity bit + the sum of the 4th bits in Configuration Registers 0 through 5 contain an odd number of set bits.
- bit 3                      **COLPAR2**: Set/Cleared such that this 3rd parity bit + the sum of the 3rd bits in Configuration Registers 0 through 5 contain an odd number of set bits.
- bit 2                      **COLPAR1**: Set/Cleared such that this 2nd parity bit + the sum of the 2nd bits in Configuration Registers 0 through 5 contain an odd number of set bits.
- bit 1                      **COLPAR0**: Set/Cleared such that this 1st parity bit + the sum of the 1st bits in Configuration Registers 0 through 5 contain an odd number of set bits.
- bit 0                      **R6PAR**: Register Parity bit – set/cleared so the 9-bit register contains odd parity – an odd number of set bits



# PIC12F635/PIC16F636/639

## REGISTER 11-8: AFE STATUS REGISTER 7

|        |        |        |        |       |       |       |       |       |
|--------|--------|--------|--------|-------|-------|-------|-------|-------|
| R-0    | R-0    | R-0    | R-0    | R-0   | R-0   | R-0   | R-0   | R-0   |
| CHZACT | CHYACT | CHXACT | AGCACT | WAKEZ | WAKEY | WAKEX | ALARM | PEI   |
| bit 8  |        |        |        |       |       |       |       | bit 0 |

### Legend:

|                   |                  |                                    |
|-------------------|------------------|------------------------------------|
| R = Readable bit  | W = Writable bit | U = Unimplemented bit, read as '0' |
| -n = Value at POR | '1' = Bit is set | '0' = Bit is cleared               |
|                   |                  | x = Bit is unknown                 |

|       |   |
|-------|---|
| bit 8 | <b>CHZACT:</b> Channel Z Active <sup>(1)</sup> bit (cleared via Soft Reset)<br>1 = Channel Z is passing data after TAGC<br>0 = Channel Z is not passing data after TAGC   |
| bit 7 | <b>CHYACT:</b> Channel Y Active <sup>(1)</sup> bit (cleared via Soft Reset)<br>1 = Channel Y is passing data after TAGC<br>0 = Channel Y is not passing data after TAGC   |
| bit 6 | <b>CHXACT:</b> Channel X Active <sup>(1)</sup> bit (cleared via Soft Reset)<br>1 = Channel X is passing data after TAGC<br>0 = Channel X is not passing data after TAGC   |
| bit 5 | <b>AGCACT:</b> AGC Active Status bit (real time, cleared via Soft Reset)<br>1 = AGC is active (Input signal is strong). AGC is active when input signal level is approximately > 20 mVPP range.<br>0 = AGC is inactive (Input signal is weak)   |
| bit 4 | <b>WAKEZ:</b> Wake-up Channel Z Indicator Status bit (cleared via Soft Reset)<br>1 = Channel Z caused a AFE wake-up (passed +64 clock counter)<br>0 = Channel Z did not cause a AFE wake-up   |
| bit 3 | <b>WAKEY:</b> Wake-up Channel Y Indicator Status bit (cleared via Soft Reset)<br>1 = Channel Y caused a AFE wake-up (passed +64 clock counter)<br>0 = Channel Y did not cause a AFE wake-up   |
| bit 2 | <b>WAKEX:</b> Wake-up Channel X Indicator Status bit (cleared via Soft Reset)<br>1 = Channel X caused a AFE wake-up (passed +64 clock counter)<br>0 = Channel X did not cause a AFE wake-up   |
| bit 1 | <b>ALARM:</b> Indicates whether an Alarm timer time-out has occurred (cleared via read "Status Register command")<br>1 = The Alarm timer time-out has occurred. It may cause the ALERT output to go low depending on the state of bit 4 of the Configuration register 0<br>0 = The Alarm timer is not timed out |
| bit 0 | <b>PEI:</b> Parity Error Indicator bit – indicates whether a Configuration register parity error has occurred (real time)<br>1 = A parity error has occurred and caused the ALERT output to go low<br>0 = A parity error has not occurred   |

**Note 1:** Bit is high whenever channel is passing data. Bit is low in Standby mode.

See Table 11-7 for the bit conditions of the AFE Status Register after various SPI commands and the AFE Power-on Reset.

**TABLE 11-7: AFE STATUS REGISTER BIT CONDITION (AFTER POWER-ON RESET AND VARIOUS SPI COMMANDS)**

| Condition                           | Bit 8  | Bit 7  | Bit 6  | Bit 5  | Bit 4 | Bit 3 | Bit 2 | Bit 1 | Bit 0 |
|-------------------------------------|--------|--------|--------|--------|-------|-------|-------|-------|-------|
|                                     | CHZACT | CHYACT | CHXACT | AGCACT | WAKEZ | WAKEY | WAKEX | ALARM | PEI   |
| POR                                 | 0      | 0      | 0      | 0      | 0     | 0     | 0     | 0     | 1     |
| Read Command (STATUS Register only) | u      | u      | u      | u      | u     | u     | u     | 0     | u     |
| Sleep Command                       | u      | u      | u      | u      | u     | u     | u     | u     | u     |
| Soft Reset Executed <sup>(1)</sup>  | 0      | 0      | 0      | 0      | 0     | 0     | 0     | u     | u     |

**Legend:** u = unchanged

**Note 1:** See Section 11.20 "Soft Reset" and Section 11.32.2.4 "Soft Reset Command" for the condition of Soft Reset execution.

# PIC12F635/PIC16F636/639

---

NOTES:

## 12.0 SPECIAL FEATURES OF THE CPU

The PIC12F635/PIC16F636/639 has a host of features intended to maximize system reliability, minimize cost through elimination of external components, provide power saving features and offer code protection.

These features are:

- Reset
  - Power-on Reset (POR)
  - Wake-up Reset (WUR)
  - Power-up Timer (PWRT)
  - Oscillator Start-up Timer (OST)
  - Brown-out Reset (BOR)
- Interrupts
- Watchdog Timer (WDT)
- Oscillator selection
- Sleep
- Code protection
- ID Locations
- In-Circuit Serial Programming™

The PIC12F635/PIC16F636/639 has two timers that offer necessary delays on power-up. One is the Oscillator Start-up Timer (OST), intended to keep the chip in Reset until the crystal oscillator is stable. The other is the Power-up Timer (PWRT), which provides a fixed delay of 64 ms (nominal) on power-up only, designed to keep the part in Reset while the power supply stabilizes. There is also circuitry to reset the device if a brown-out occurs, which can use the Power-up Timer to provide at least a nominal 64 ms Reset. With these three functions on-chip, most applications need no external Reset circuitry.

The Sleep mode is designed to offer a very low-current Power-down mode. The user can wake-up from Sleep through:

- External Reset
- Watchdog Timer Wake-up
- An Interrupt

Several oscillator options are also made available to allow the part to fit the application. The INTOSC option saves system cost while the LP crystal option saves power. A set of Configuration bits are used to select various options (see Register 12-1).

## 12.1 Configuration Bits

The Configuration Word bits can be programmed (read as '0'), or left unprogrammed (read as '1') to select various device configurations as shown in Register 12-1. These bits are mapped in program memory location 2007h.

|  |
|--|
| <b>Note:</b> Address 2007h is beyond the user program memory space. It belongs to the special configuration memory space (2000h-3FFFh), which can be accessed only during programming. See "PIC12F6XX/16F6XX Memory Programming Specification" (DS41204) for more information. |
|--|

# PIC12F635/PIC16F636/639

## REGISTER 12-1: CONFIG: CONFIGURATION WORD REGISTER

|        |   |   |                          |       |      |        |        |       |
|--------|---|---|--------------------------|-------|------|--------|--------|-------|
| —      | — | — | $\overline{\text{WURE}}$ | FCMEN | IESO | BOREN1 | BOREN0 |       |
| bit 15 |   |   |                          |       |      |        |        | bit 8 |

|                         |                        |       |   |      |       |       |       |       |
|-------------------------|------------------------|-------|---|------|-------|-------|-------|-------|
| $\overline{\text{CPD}}$ | $\overline{\text{CP}}$ | MCLRE | $\overline{\text{PWRT}}\overline{\text{E}}$ | WDTE | FOSC2 | FOSC1 | FOSC0 |       |
| bit 7                   |                        |       |   |      |       |       |       | bit 0 |

### Legend:

|                   |                  |                      |                                    |
|-------------------|------------------|----------------------|------------------------------------|
| R = Readable bit  | W = Writable bit | P = Programmable'    | U = Unimplemented bit, read as '0' |
| -n = Value at POR | '1' = Bit is set | '0' = Bit is cleared | x = Bit is unknown                 |

- bit 15-13      **Unimplemented:** Read as '1'
- bit 12      **WURE:** Wake-up Reset Enable bit  
 1 = Standard wake-up and continue enabled  
 0 = Wake-up and Reset enabled
- bit 11      **FCMEN:** Fail-Safe Clock Monitor Enabled bit  
 1 = Fail-Safe Clock Monitor is enabled  
 0 = Fail-Safe Clock Monitor is disabled
- bit 10      **IESO:** Internal External Switchover bit  
 1 = Internal External Switchover mode is enabled  
 0 = Internal External Switchover mode is disabled
- bit 9-8      **BOREN<1:0>:** Brown-out Reset Selection bits<sup>(1)</sup>  
 11 = BOR enabled, SBOREN bit disabled  
 10 = BOR enabled during operation and disabled in Sleep, SBOREN bit disabled  
 01 = BOR controlled by SBOREN bit of the PCON register  
 00 = BOR and SBOREN bits disabled
- bit 7      **CPD:** Data Code Protection bit<sup>(2)</sup>  
 1 = Data memory code protection is disabled  
 0 = Data memory code protection is enabled
- bit 6      **CP:** Code Protection bit<sup>(3)</sup>  
 1 = Program memory code protection is disabled  
 0 = Program memory code protection is enabled
- bit 5      **MCLRE:** MCLR pin function select bit<sup>(4)</sup>  
 1 = MCLR pin function is MCLR  
 0 = MCLR pin function is digital input, MCLR internally tied to VDD
- bit 4      **PWRT $\overline{\text{E}}$ :** Power-up Timer Enable bit  
 1 = PWRT disabled  
 0 = PWRT enabled
- bit 3      **WDTE:** Watchdog Timer Enable bit  
 1 = WDT enabled  
 0 = WDT disabled and can be enabled by SWDTEN bit of the WDTCN register
- bit 2-0      **FOSC<2:0>:** Oscillator Selection bits  
 111 = EXTRC oscillator: External RC on RA5/OSC1/CLKIN, CLKOUT function on RA4/OSC2/CLKOUT pin  
 110 = EXTRCIO oscillator: External RC on RA5/OSC1/CLKIN, I/O function on RA4/OSC2/CLKOUT pin  
 101 = INTOSC oscillator: CLKOUT function on RA4/OSC2/CLKOUT pin, I/O function on RA5/OSC1/CLKIN  
 100 = INTOSCIO oscillator: I/O function on RA4/OSC2/CLKOUT pin, I/O function on RA5/OSC1/CLKIN  
 011 = EC: I/O function on RA4/OSC2/CLKOUT pin, CLKIN on RA5/OSC1/CLKIN  
 010 = HS oscillator: High-speed crystal/resonator on RA4/OSC2/CLKOUT and RA5/OSC1/CLKIN  
 001 = XT oscillator: Crystal/resonator on RA4/OSC2/CLKOUT and RA5/OSC1/CLKIN  
 000 = LP oscillator: Low-power crystal on RA4/OSC2/CLKOUT and RA5/OSC1/CLKIN

- Note 1:** Enabling Brown-out Reset does not automatically enable Power-up Timer.  
**Note 2:** The entire data EEPROM will be erased when the code protection is turned off.  
**Note 3:** The entire program memory will be erased when the code protection is turned off.  
**Note 4:** When MCLR is asserted in INTOSC or RC mode, the internal clock oscillator is disabled.

# PIC12F635/PIC16F636/639

## 12.2 Reset

The PIC12F635/PIC16F636/639 differentiates between various kinds of Reset:

- Power-on Reset (POR)
- Wake-up Reset (WUR)
- WDT Reset during normal operation
- WDT Reset during Sleep
- $\overline{\text{MCLR}}$  Reset during normal operation
- $\overline{\text{MCLR}}$  Reset during Sleep
- Brown-out Reset (BOR)

Some registers are not affected in any Reset condition; their status is unknown on POR and unchanged in any other Reset. Most other registers are reset to a "Reset state" on:

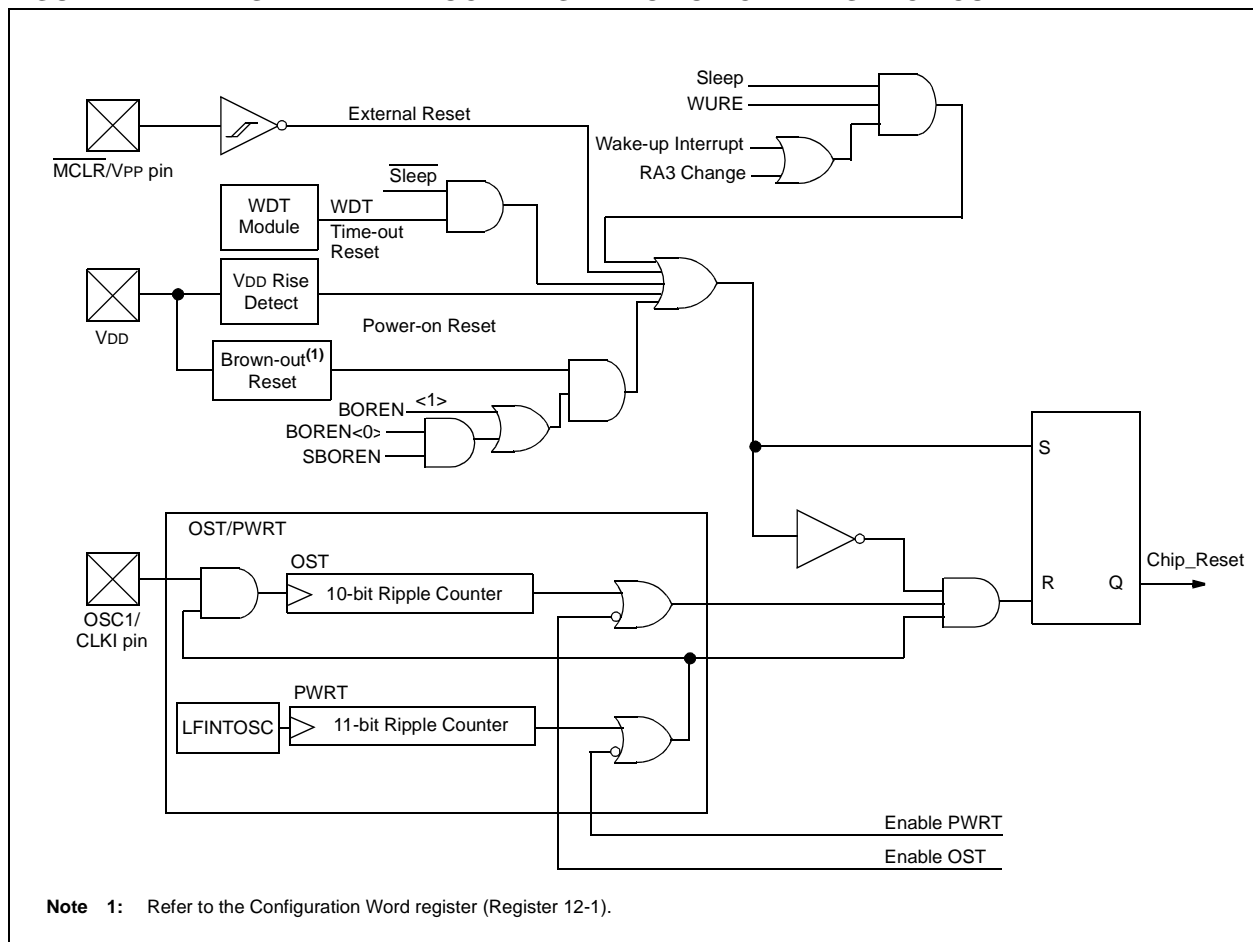
- Power-on Reset
- $\overline{\text{MCLR}}$  Reset
- $\overline{\text{MCLR}}$  Reset during Sleep
- WDT Reset
- Brown-out Reset

They are not affected by a WDT wake-up since this is viewed as the resumption of normal operation.  $\overline{\text{TO}}$  and  $\overline{\text{PD}}$  bits are set or cleared differently in different Reset situations, as indicated in Table 12-3. These bits are used in software to determine the nature of the Reset. See Table 12-4 for a full description of Reset states of all registers.

A simplified block diagram of the On-Chip Reset Circuit is shown in Figure 12-1.

The  $\overline{\text{MCLR}}$  Reset path has a noise filter to detect and ignore small pulses. See **Section 15.0 "Electrical Specifications"** for pulse width specifications.

**FIGURE 12-1: SIMPLIFIED BLOCK DIAGRAM OF ON-CHIP RESET CIRCUIT**



# PIC12F635/PIC16F636/639

## 12.3 Power-on Reset

The on-chip POR circuit holds the chip in Reset until VDD has reached a high enough level for proper operation. To take advantage of the POR, simply connect the  $\overline{\text{MCLR}}$  pin through a resistor to VDD. This will eliminate external RC components usually needed to create Power-on Reset. A maximum rise time for VDD is required. See **Section 15.0 “Electrical Specifications”** for details. If the BOR is enabled, the maximum rise time specification does not apply. The BOR circuitry will keep the device in Reset until VDD reaches VBOD (see **Section 12.6 “Brown-out Reset (BOR)”**).

**Note:** The POR circuit does not produce an internal Reset when VDD declines. To re-enable the POR, VDD must reach VSS for a minimum of 100  $\mu\text{s}$ .

When the device starts normal operation (exits the Reset condition), device operating parameters (i.e., voltage, frequency, temperature, etc.) must be met to ensure operation. If these conditions are not met, the device must be held in Reset until the operating conditions are met.

For additional information, refer to the Application Note AN607, “Power-up Trouble Shooting” (DS00607).

## 12.4 Wake-up Reset (WUR)

The PIC12F635/PIC16F636/639 has a modified wake-up from Sleep mechanism. When waking from Sleep, the WUR function resets the device and releases Reset when VDD reaches an acceptable level.

If the  $\overline{\text{WURE}}$  bit is enabled ('0') in the Configuration Word register, the device will Wake-up Reset from Sleep through one of the following events:

1. On any event that causes a wake-up event. The peripheral must be enabled to generate an interrupt or wake-up, GIE state is ignored.
2. When WURE is enabled, RA3 will always generate an interrupt-on-change signal during Sleep.

The  $\overline{\text{WUR}}$ ,  $\overline{\text{POR}}$  and  $\overline{\text{BOR}}$  bits in the PCON register and the  $\overline{\text{TO}}$  and  $\overline{\text{PD}}$  bits in the STATUS register can be used to determine the cause of device Reset.

To allow WUR upon RA3 change:

1. Enable the WUR function,  $\overline{\text{WURE}}$  Configuration Bit = 0.
2. Enable RA3 as an input, MCLRE Configuration Bit = 0.
3. Read PORTA to establish the current state of RA3.
4. Execute SLEEP instruction.
5. When RA3 changes state, the device will wake-up and then reset. The  $\overline{\text{WUR}}$  bit in PCON will be cleared to '0'.

## 12.4.1 POWER-UP TIMER (PWRT)

The Power-up Timer provides a fixed 64 ms (nominal) time-out on power-up only, from POR or Brown-out Reset. The Power-up Timer operates from the 31 kHz LFINTOSC oscillator. For more information, see **Section 3.5 “Internal Clock Modes”**. The chip is kept in Reset as long as PWRT is active. The PWRT delay allows the VDD to rise to an acceptable level. A Configuration bit, PWRTE, can disable (if set) or enable (if cleared or programmed) the Power-up Timer. The Power-up Timer should be enabled when Brown-out Reset is enabled, although it is not required.

The Power-up Timer delay will vary from chip-to-chip due to:

- VDD variation
- Temperature variation
- Process variation

See DC parameters for details (**Section 15.0 “Electrical Specifications”**).

**Note:** Voltage spikes below VSS at the  $\overline{\text{MCLR}}$  pin, inducing currents greater than 80 mA, may cause latch-up. Thus, a series resistor of 50-100  $\Omega$  should be used when applying a “low” level to the  $\overline{\text{MCLR}}$  pin, rather than pulling this pin directly to VSS.

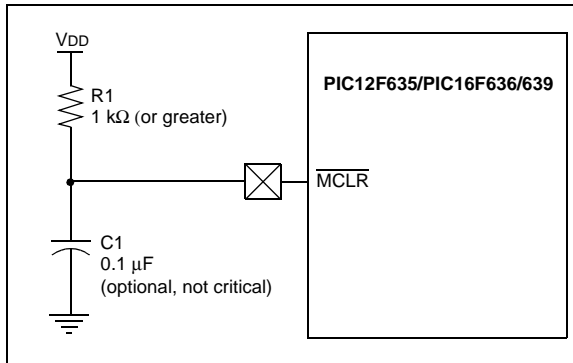
## 12.5 $\overline{\text{MCLR}}$

PIC12F635/PIC16F636/639 has a noise filter in the  $\overline{\text{MCLR}}$  Reset path. The filter will ignore small pulses.

It should be noted that a WDT Reset does not drive  $\overline{\text{MCLR}}$  pin low. See Figure 12-2 for the recommended  $\overline{\text{MCLR}}$  circuit.

An internal  $\overline{\text{MCLR}}$  option is enabled by clearing the MCLRE bit in the Configuration Word register. When cleared,  $\overline{\text{MCLR}}$  is internally tied to VDD and an internal weak pull-up is enabled for the  $\overline{\text{MCLR}}$  pin. In-Circuit Serial Programming is not affected by selecting the internal  $\overline{\text{MCLR}}$  option.

**FIGURE 12-2: RECOMMENDED  $\overline{\text{MCLR}}$  CIRCUIT**



# PIC12F635/PIC16F636/639

## 12.6 Brown-out Reset (BOR)

The BOREN0 and BOREN1 bits in the Configuration Word register select one of four BOR modes. Two modes have been added to allow software or hardware control of the BOR enable. When BOREN<1:0> = 01, the SBOREN bit of the PCON register enables/disables the BOR allowing it to be controlled in software. By selecting BOREN<1:0>, the BOR is automatically disabled in Sleep to conserve power and enabled on wake-up. In this mode, the SBOREN bit is disabled. See Register 12-1 for the Configuration Word definition.

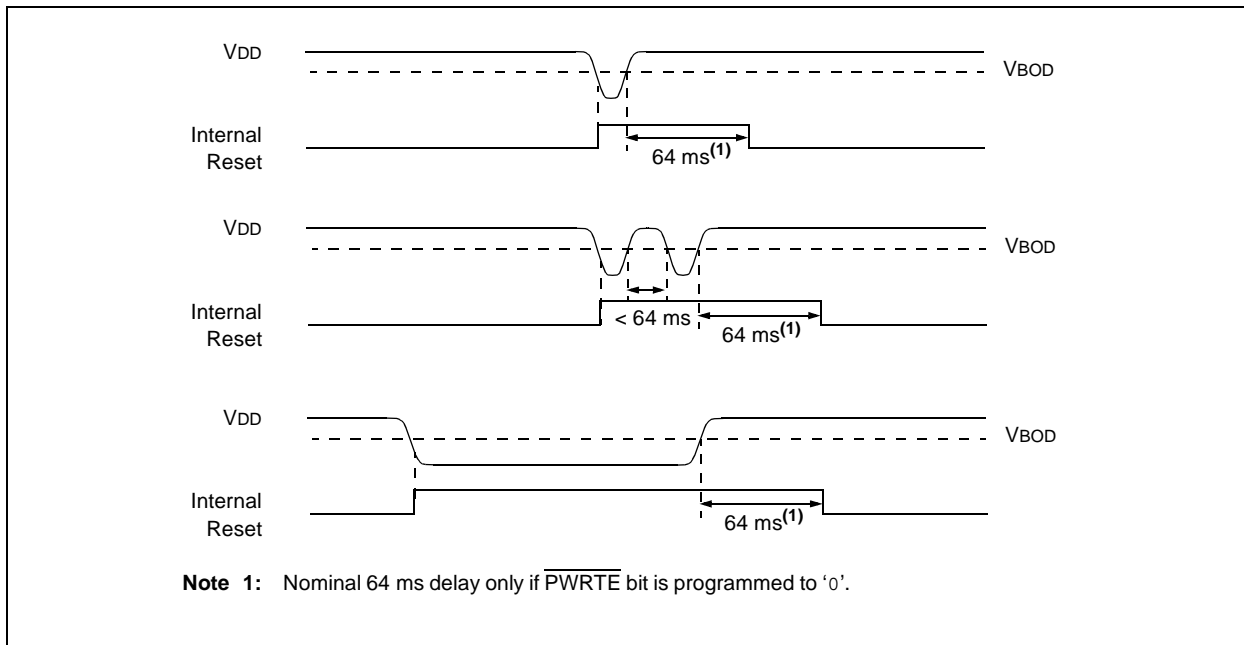
If VDD falls below VBOD for greater than parameter (TBOD) (see Section 15.0 “Electrical Specifications”), the Brown-out situation will reset the device. This will occur regardless of VDD slew rate. A Reset is not ensured to occur if VDD falls below VBOD for less than parameter (TBOD).

On any Reset (Power-on, Brown-out Reset, Watchdog Timer, etc.), the chip will remain in Reset until VDD rises above VBOD (see Figure 12-3). The Power-up Timer will now be invoked, if enabled and will keep the chip in Reset an additional nominal 64 ms.

**Note:** The Power-up Timer is enabled by the  $\overline{\text{PWRTÉ}}$  bit in the Configuration Word register.

If VDD drops below VBOD while the Power-up Timer is running, the chip will go back into a Brown-out Reset and the Power-up Timer will be re-initialized. Once VDD rises above VBOD, the Power-up Timer will execute a 64 ms Reset.

**FIGURE 12-3: BROWN-OUT RESET SITUATIONS**





# PIC12F635/PIC16F636/639

## 12.7 Time-out Sequence

On power-up, the time-out sequence is as follows: first, PWRT time-out is invoked after POR has expired, then OST is activated after the PWRT time-out has expired. The total time-out will vary based on oscillator Configuration and PWRTE bit status. For example, in EC mode with PWRTE bit erased (PWRT disabled), there will be no time-out at all. Figure 12-4, Figure 12-5 and Figure 12-6 depict time-out sequences. The device can execute code from the INTOSC, while OST is active, by enabling Two-Speed Start-up or Fail-Safe Clock Monitor (See Section 3.7.2 “Two-Speed Start-up Sequence” and Section 3.8 “Fail-Safe Clock Monitor”).

Since the time-outs occur from the POR pulse, if MCLR is kept low long enough, the time-outs will expire. Then bringing MCLR high will begin execution immediately (see Figure 12-5). This is useful for testing purposes or to synchronize more than one PIC12F635/PIC16F636/639 device operating in parallel.

Table 12-5 shows the Reset conditions for some special registers, while Table 12-4 shows the Reset conditions for all the registers.

## 12.8 Power Control (PCON) Register

The Power Control register, PCON (address 8Eh), has two Status bits to indicate what type of Reset that last occurred.

Bit 0 is  $\overline{\text{BOR}}$  (Brown-out).  $\overline{\text{BOR}}$  is unknown on Power-on Reset. It must then be set by the user and checked on subsequent Resets to see if  $\overline{\text{BOR}} = 0$ , indicating that a Brown-out has occurred. The  $\overline{\text{BOR}}$  Status bit is a “don’t care” and is not necessarily predictable if the brown-out circuit is disabled ( $\text{BOREN}\langle 1:0 \rangle = 00$  in the Configuration Word register).

Bit 1 is  $\overline{\text{POR}}$  (Power-on Reset). It is a ‘0’ on Power-on Reset and unaffected otherwise. The user must write a ‘1’ to this bit following a Power-on Reset. On a subsequent Reset, if  $\overline{\text{POR}}$  is ‘0’, it will indicate that a Power-on Reset has occurred (i.e., VDD may have gone too low).

For more information, see Section 4.2.3 “Ultra Low-Power Wake-up” and Section 12.6 “Brown-out Reset (BOR)”.

TABLE 12-1: TIME-OUT IN VARIOUS SITUATIONS

| Oscillator Configuration | Power-up                      |                               | Brown-out Reset               |                               | Wake-up from Sleep |
|--------------------------|-------------------------------|-------------------------------|-------------------------------|-------------------------------|--------------------|
|                          | $\overline{\text{PWRTE}} = 0$ | $\overline{\text{PWRTE}} = 1$ | $\overline{\text{PWRTE}} = 0$ | $\overline{\text{PWRTE}} = 1$ |                    |
| XT, HS, LP               | TPWRT + 1024 • TOSC           | 1024 • TOSC                   | TPWRT + 1024 • TOSC           | 1024 • TOSC                   | 1024 • TOSC        |
| RC, EC, INTOSC           | TPWRT                         | —                             | TPWRT                         | —                             | —                  |

TABLE 12-2: SUMMARY OF REGISTERS ASSOCIATED WITH BROWN-OUT RESET

| Name                  | Bit 9  | Bit 8  | Bit 7                   | Bit 6                  | Bit 5  | Bit 4                     | Bit 3                   | Bit 2 | Bit 1                   | Bit 0                   | Value on POR, BOR | Value on all other Resets <sup>(1)</sup> |
|-----------------------|--------|--------|-------------------------|------------------------|--------|---------------------------|-------------------------|-------|-------------------------|-------------------------|-------------------|--|
| CONFIG <sup>(2)</sup> | BOREN1 | BOREN0 | $\overline{\text{CPD}}$ | $\overline{\text{CP}}$ | MCLRE  | $\overline{\text{PWRTE}}$ | WDTE                    | FOSC2 | FOSC1                   | FOSC0                   | —                 | —  |
| PCON                  |        |        | —                       | —                      | ULPWUE | SBOREN                    | $\overline{\text{WUR}}$ | —     | $\overline{\text{POR}}$ | $\overline{\text{BOR}}$ | --01 --qg         | --0u --uu                                |
| STATUS                |        |        | IRP                     | RP1                    | RP0    | $\overline{\text{TO}}$    | $\overline{\text{PD}}$  | Z     | DC                      | C                       | 0001 1xxx         | 000q quuu                                |

**Legend:** u = unchanged, x = unknown, — = unimplemented bit, reads as ‘0’, q = value depends on condition. Shaded cells are not used by BOR.  
**Note 1:** Other (non Power-up) Resets include MCLR Reset and Watchdog Timer Reset during normal operation.  
**2:** See Configuration Word register (Register 12-1) for operation of all register bits.

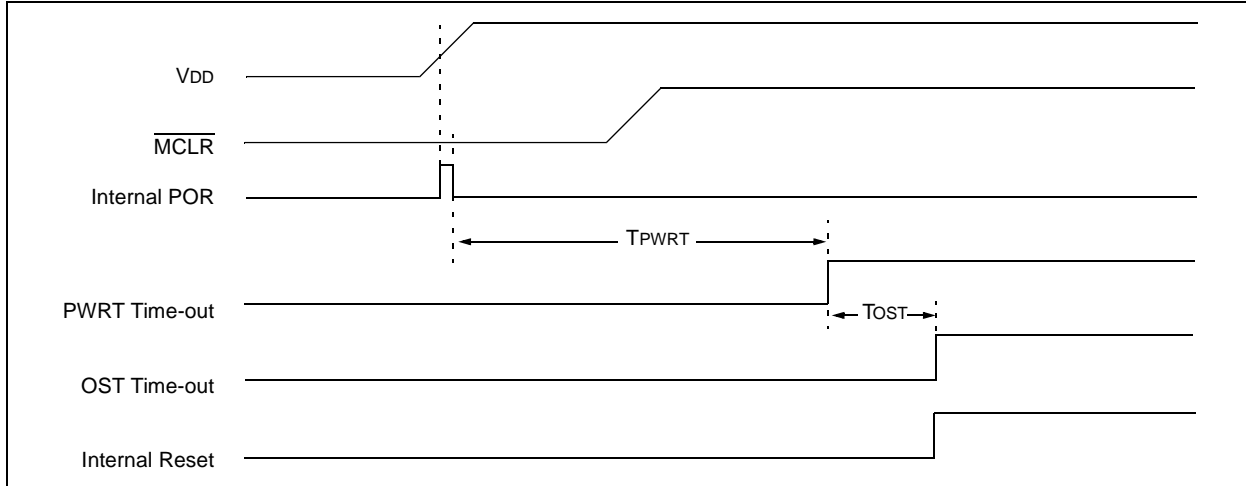
TABLE 12-3: PCON BITS AND THEIR SIGNIFICANCE

| $\overline{\text{POR}}$ | $\overline{\text{BOR}}$ | $\overline{\text{WUR}}$ | $\overline{\text{TO}}$ | $\overline{\text{PD}}$ | Condition  |
|-------------------------|-------------------------|-------------------------|------------------------|------------------------|--|
| 0                       | x                       | x                       | 1                      | 1                      | Power-on Reset   |
| u                       | 0                       | u                       | 1                      | 1                      | Brown-out Reset  |
| u                       | u                       | u                       | 0                      | u                      | WDT Reset  |
| u                       | u                       | u                       | 0                      | 0                      | WDT Wake-up  |
| u                       | u                       | u                       | u                      | u                      | $\overline{\text{MCLR}}$ Reset during normal operation |
| u                       | u                       | u                       | 1                      | 0                      | $\overline{\text{MCLR}}$ Reset during Sleep            |
| u                       | u                       | 0                       | 1                      | 0                      | Wake-up Reset during Sleep                             |
| u                       | 0                       | u                       | 1                      | 1                      | Brown-out Reset during Sleep                           |

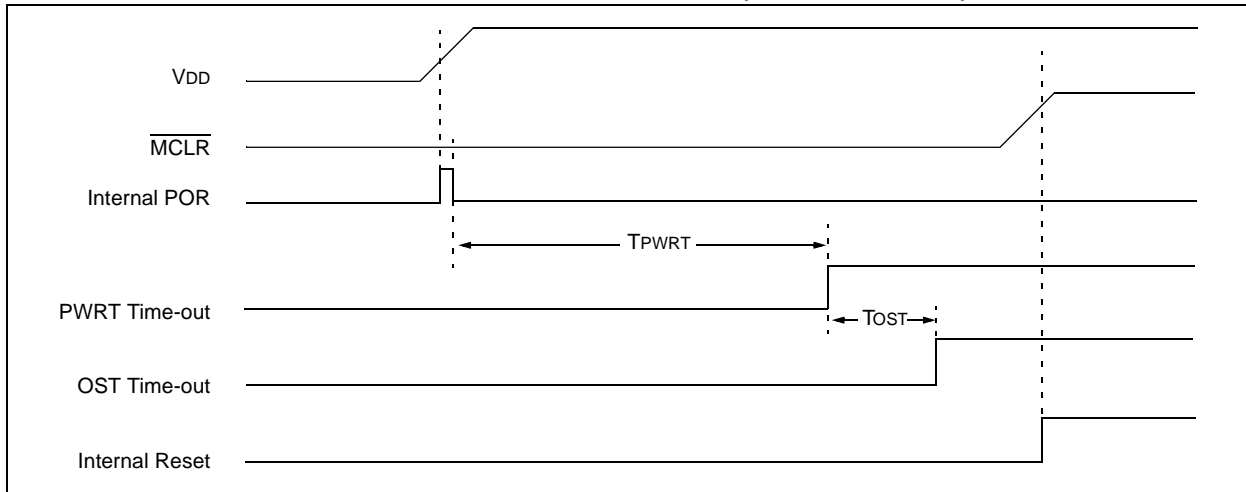
**Legend:** u = unchanged, x = unknown

# PIC12F635/PIC16F636/639

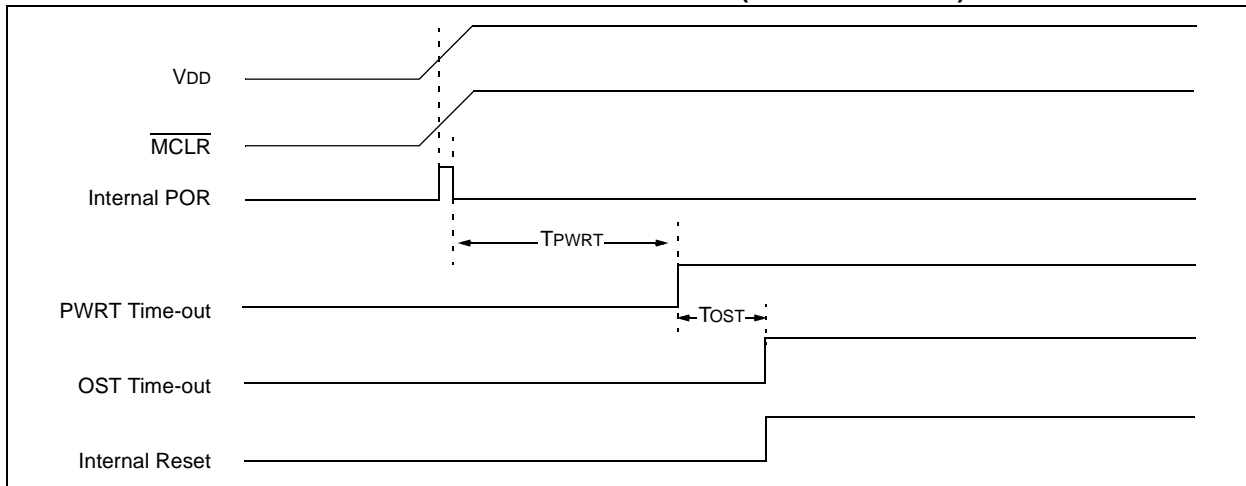
**FIGURE 12-4: TIME-OUT SEQUENCE ON POWER-UP (DELAYED  $\overline{\text{MCLR}}$ )**



**FIGURE 12-5: TIME-OUT SEQUENCE ON POWER-UP (DELAYED  $\overline{\text{MCLR}}$ )**



**FIGURE 12-6: TIME-OUT SEQUENCE ON POWER-UP ( $\overline{\text{MCLR}}$  WITH VDD)**



# PIC12F635/PIC16F636/639

**TABLE 12-4: INITIALIZATION CONDITION FOR REGISTERS**

| Register             | Address | Power-on Reset<br>Wake-up Reset | MCLR Reset<br>WDT Reset<br>Brown-out Reset <sup>(1)</sup><br>Wake-up Reset | Wake-up from Sleep<br>through Interrupt<br>Wake-up from Sleep<br>through WDT Time-out |
|----------------------|---------|---------------------------------|--|---|
| W                    | —       | xxxx xxxx                       | uuuu uuuu  | uuuu uuuu   |
| INDF                 | 00h/80h | xxxx xxxx                       | xxxx xxxx  | uuuu uuuu   |
| TMR0                 | 01h     | xxxx xxxx                       | uuuu uuuu  | uuuu uuuu   |
| PCL                  | 02h/82h | 0000 0000                       | 0000 0000  | PC + 1 <sup>(3)</sup>   |
| STATUS               | 03h/83h | 0001 1xxx                       | 000q quuu <sup>(4)</sup>   | uuuq quuu <sup>(4)</sup>  |
| FSR                  | 04h/84h | xxxx xxxx                       | uuuu uuuu  | uuuu uuuu   |
| PORTA                | 05h     | --xx xx00                       | --00 0000  | --uu uu00   |
| PORTC <sup>(6)</sup> | 07h     | --xx xx00                       | --00 0000  | --uu uu00   |
| PCLATH               | 0Ah/8Ah | ---0 0000                       | ---0 0000  | ---u uuuu   |
| INTCON               | 0Bh/8Bh | 0000 000x                       | 0000 000x  | uuuu uuuu <sup>(2)</sup>  |
| PIR1                 | 0Ch     | 0000 00-0                       | 0000 00-0  | uuuu uu-u <sup>(2)</sup>  |
| TMR1L                | 0Eh     | xxxx xxxx                       | uuuu uuuu  | uuuu uuuu   |
| TMR1H                | 0Fh     | xxxx xxxx                       | uuuu uuuu  | uuuu uuuu   |
| T1CON                | 10h     | 0000 0000                       | uuuu uuuu  | -uuu uuuu   |
| WDTCON               | 18h     | ---0 1000                       | ---0 1000  | ---u uuuu   |
| CMCON0               | 19h     | 0000 0000                       | 0000 0000  | uuuu uuuu   |
| CMCON1               | 1Ah     | ---- --10                       | ---- --10  | ---- --uu   |
| OPTION_REG           | 81h     | 1111 1111                       | 1111 1111  | uuuu uuuu   |
| TRISA                | 85h     | --11 1111                       | --11 1111  | --uu 1uuu   |
| TRISC <sup>(6)</sup> | 87h     | --11 1111                       | --11 1111  | --uu 1uuu   |
| PIE1                 | 8Ch     | 0000 00-0                       | 0000 00-0  | uuuu uu-u   |
| PCON                 | 8Eh     | --01 q-qq                       | --0u u-uu <sup>(1,5)</sup>   | --0u u-uu   |
| OSCCON               | 8Fh     | -110 q000                       | -110 q000  | -uuu uuuu   |
| OSCTUNE              | 90h     | ---0 0000                       | ---u uuuu  | ---u uuuu   |
| WPUDA                | 95h     | --11 -111                       | --11 -111  | uuuu uuuu   |
| IOCA                 | 96h     | --00 0000                       | --00 0000  | --uu uuuu   |
| WDA                  | 97h     | --11 -111                       | --11 -111  | uuuu uuuu   |
| VRCON                | 99h     | 0-0- 0000                       | 0-0- 0000  | u-u- uuuu   |
| EEDAT                | 9Ah     | 0000 0000                       | 0000 0000  | uuuu uuuu   |
| EEADR                | 9Bh     | 0000 0000                       | 0000 0000  | uuuu uuuu   |
| EECON1               | 9Ch     | ---- x000                       | ---- q000  | ---- uuuu   |
| EECON2               | 9Dh     | ---- ----                       | ---- ----  | ---- ----   |
| ADRESL               | 9Eh     | xxxx xxxx                       | uuuu uuuu  | uuuu uuuu   |
| ADCON1               | 9Fh     | -000 ----                       | -000 ----  | -uuu ----   |
| LVDCON               | 94h     | --00 -000                       | --00 -000  | --uu -uuu   |
| CRCON                | 110h    | 00-- --00                       | 00-- --00  | uu-- --uu   |

**Legend:** u = unchanged, x = unknown, - = unimplemented bit, reads as '0', q = value depends on condition.

**Note 1:** If VDD goes too low, Power-on Reset will be activated and registers will be affected differently.

**2:** One or more bits in INTCON and/or PIR1 will be affected (to cause wake-up).

**3:** When the wake-up is due to an interrupt and the GIE bit is set, the PC is loaded with the interrupt vector (0004h).

**4:** See Table 12-5 for Reset value for specific condition.

**5:** If Reset was due to brown-out, then bit 0 = 0. All other Resets will cause bit 0 = u.

**6:** PIC16F636/639 only.

# PIC12F635/PIC16F636/639

TABLE 12-5: INITIALIZATION CONDITION FOR SPECIAL REGISTERS

| Condition                          | Program Counter       | Status Register | PCON Register |
|------------------------------------|-----------------------|-----------------|---------------|
| Power-on Reset                     | 000h                  | 0001 1xxx       | --01 --0x     |
| MCLR Reset during normal operation | 000h                  | 000u uuuu       | --0u --uu     |
| MCLR Reset during Sleep            | 000h                  | 0001 0uuu       | --0u --uu     |
| WDT Reset                          | 000h                  | 0000 uuuu       | --0u --uu     |
| WDT Wake-up                        | PC + 1                | uuu0 0uuu       | --uu --uu     |
| Brown-out Reset                    | 000h                  | 0001 1uuu       | --01 --10     |
| Interrupt Wake-up from Sleep       | PC + 1 <sup>(1)</sup> | uuu1 0uuu       | --uu --uu     |
| Wake-up Reset                      | 000h                  | 0001 1xxx       | --01 --0x     |

**Legend:** u = unchanged, x = unknown, – = unimplemented bit, reads as '0'.

**Note 1:** When the wake-up is due to an interrupt and the Global Interrupt Enable bit, GIE, is set, the PC is loaded with the interrupt vector (0004h) after execution of PC + 1.

## 12.9 Interrupts

The PIC12F635/PIC16F636/639 has multiple interrupt sources:

- External Interrupt RA2/INT
- Timer0 Overflow Interrupt
- PORTA Change Interrupts
- 2 Comparator Interrupts
- Timer1 Overflow Interrupt
- EEPROM Data Write Interrupt
- Fail-Safe Clock Monitor Interrupt

The Interrupt Control register (INTCON) and Peripheral Interrupt Request Register 1 (PIR1) record individual interrupt requests in flag bits. The INTCON register also has individual and global interrupt enable bits.

A Global Interrupt Enable bit GIE of the INTCON register enables (if set) all unmasked interrupts, or disables (if cleared) all interrupts. Individual interrupts can be disabled through their corresponding enable bits in the INTCON register and PIE1 register. GIE is cleared on Reset.

The Return from Interrupt instruction, `RETFIE`, exits the interrupt routine, as well as sets the GIE bit, which re-enables unmasked interrupts.

The following interrupt flags are contained in the INTCON register:

- INT Pin Interrupt
- PORTA Change Interrupt
- TMR0 Overflow Interrupt

The peripheral interrupt flags are contained in the special register, PIR1. The corresponding interrupt enable bit is contained in special register, PIE1.

The following interrupt flags are contained in the PIR1 register:

- EEPROM Data Write Interrupt
- 2 Comparator Interrupts
- Timer1 Overflow Interrupt
- Fail-Safe Clock Monitor Interrupt

When an interrupt is serviced:

- The GIE is cleared to disable any further interrupt.
- The return address is pushed onto the stack.
- The PC is loaded with 0004h.

For external interrupt events, such as the INT pin or PORTA change interrupt, the interrupt latency will be three or four instruction cycles. The exact latency depends upon when the interrupt event occurs (see Figure 12-8). The latency is the same for one or two-cycle instructions. Once in the Interrupt Service Routine, the source(s) of the interrupt can be determined by polling the interrupt flag bits. The interrupt flag bit(s) must be cleared in software before re-enabling interrupts to avoid multiple interrupt requests.

**Note 1:** Individual interrupt flag bits are set, regardless of the status of their corresponding mask bit or the GIE bit.

**2:** When an instruction that clears the GIE bit is executed, any interrupts that were pending for execution in the next cycle are ignored. The interrupts, which were ignored, are still pending to be serviced when the GIE bit is set again.

For additional information on Timer1, comparators or data EEPROM modules, refer to the respective peripheral section.

### 12.9.1 RA2/INT INTERRUPT

External interrupt on RA2/INT pin is edge-triggered; either rising if the INTEDG bit of the OPTION register is set, or falling if the INTEDG bit is clear. When a valid edge appears on the RA2/INT pin, the INTF bit of the INTCON register is set. This interrupt can be disabled by clearing the INTE control bit of the INTCON register. The INTF bit must be cleared in software in the Interrupt Service Routine before re-enabling this interrupt. The RA2/INT interrupt can wake-up the processor from Sleep if the INTE bit was set prior to going into Sleep. The status of the GIE bit decides whether or not the processor branches to the interrupt vector following wake-up (0004h). See **Section 12.12 “Power-Down Mode (Sleep)”** for details on Sleep and Figure 12-10 for timing of wake-up from Sleep through RA2/INT interrupt.

**Note:** The CMCON0 (19h) register must be initialized to configure an analog channel as a digital input. Pins configured as analog inputs will read '0'.

# PIC12F635/PIC16F636/639

## 12.9.2 TIMER INTERRUPT

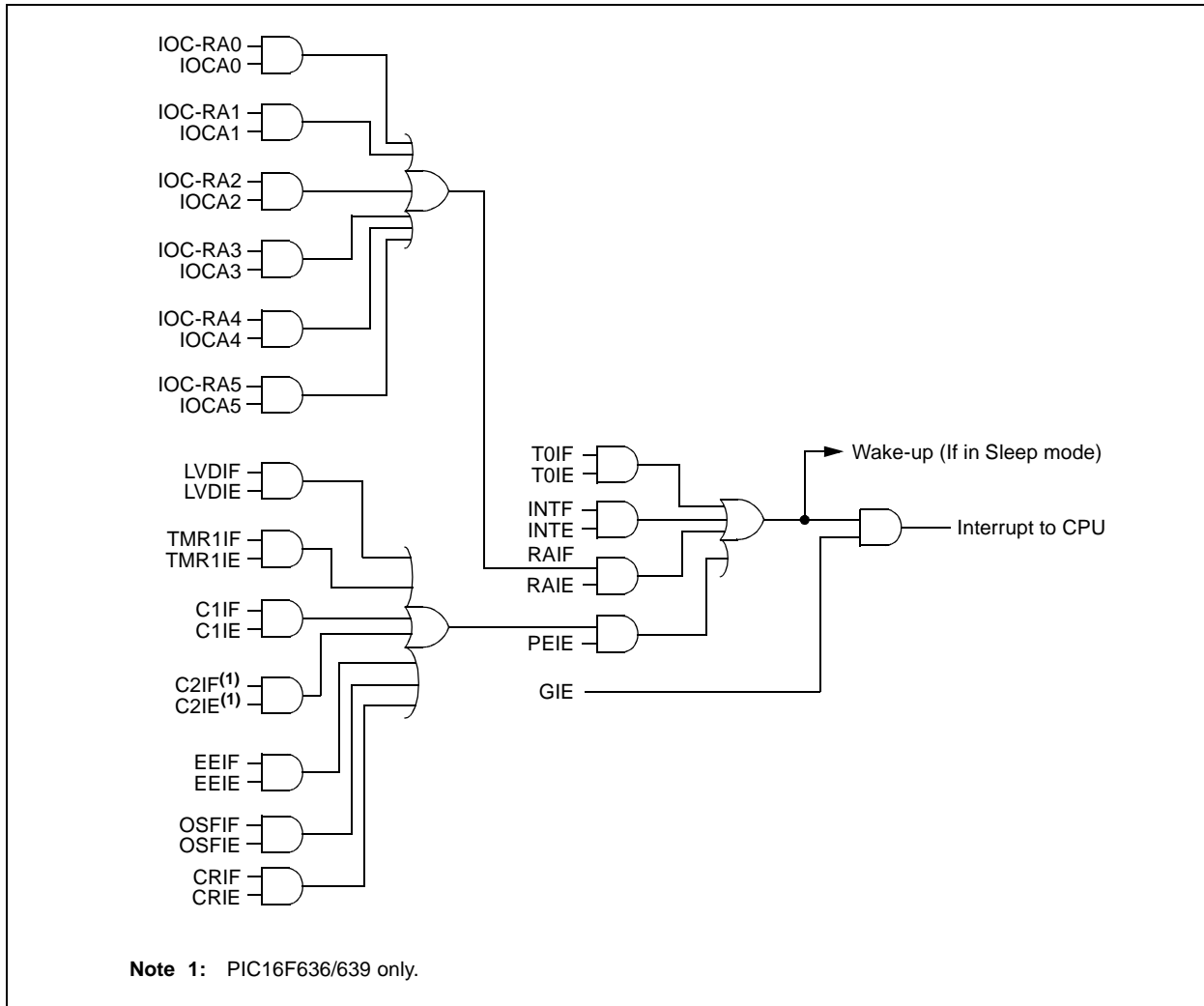
An overflow (FFh → 00h) in the TMR0 register will set the TOIF bit of the INTCON register. The interrupt can be enabled/disabled by setting/clearing TOIE bit of the INTCON register. See **Section 5.0 “Timer0 Module”** for operation of the Timer0 module.

## 12.9.3 PORTA INTERRUPT

An input change on PORTA change sets the RAIF bit of the INTCON register. The interrupt can be enabled/disabled by setting/clearing the RAIE bit of the INTCON register. Plus, individual pins can be configured through the IOCA register.

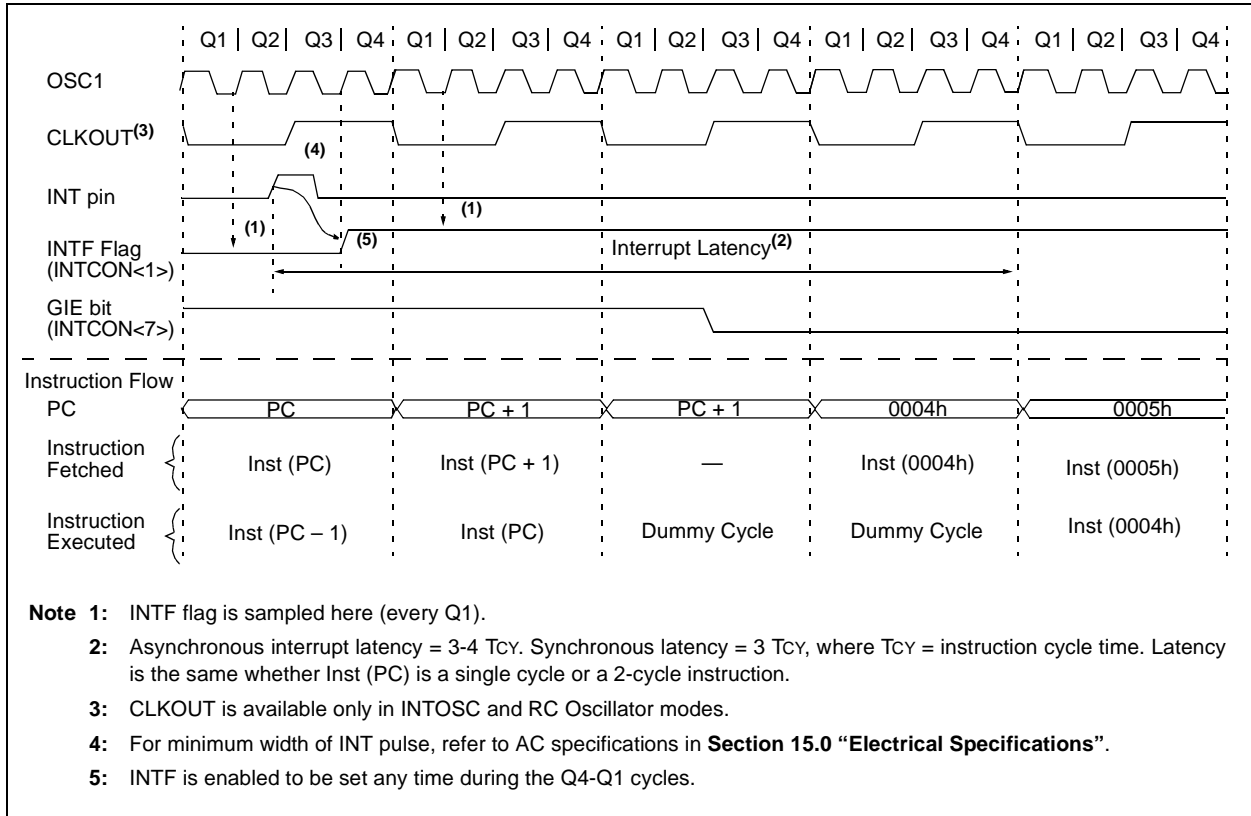
**Note:** If a change on the I/O pin should occur when the read operation is being executed (start of the Q2 cycle), then the RAIF interrupt flag may not get set.

**FIGURE 12-7: INTERRUPT LOGIC**



# PIC12F635/PIC16F636/639

**FIGURE 12-8: INT PIN INTERRUPT TIMING**



**TABLE 12-6: SUMMARY OF REGISTERS ASSOCIATED WITH INTERRUPTS**

| Name   | Bit 7 | Bit 6 | Bit 5 | Bit 4               | Bit 3 | Bit 2 | Bit 1 | Bit 0  | Value on: POR, BOR | Value on all other Resets |
|--------|-------|-------|-------|---------------------|-------|-------|-------|--------|--------------------|---------------------------|
| INTCON | GIE   | PEIE  | T0IE  | INTE                | RAIE  | T0IF  | INTF  | RAIF   | 0000 000x          | 0000 000x                 |
| IOCA   | —     | —     | IOCA5 | IOCA4               | IOCA3 | IOCA2 | IOCA1 | IOCA0  | --00 0000          | --00 0000                 |
| PIR1   | EEIF  | LVDIF | CRIF  | C2IF <sup>(1)</sup> | C1IF  | OSFIF | —     | TMR1IF | 0000 00-0          | 0000 00-0                 |
| PIE1   | EEIE  | LVDIE | CRIE  | C2IE <sup>(1)</sup> | C1IE  | OSFIE | —     | TMR1IE | 0000 00-0          | 0000 00-0                 |

**Legend:** x = unknown, u = unchanged, - = unimplemented, read as '0', q = value depends upon condition. Shaded cells are not used by the Interrupt module.

**Note 1:** PIC16F636/639 only.

# PIC12F635/PIC16F636/639

## 12.10 Context Saving During Interrupts

During an interrupt, only the return PC value is saved on the stack. Typically, users may wish to save key registers during an interrupt (e.g., W and STATUS registers). This must be implemented in software.

Since the lower 16 bytes of all banks are common in the PIC12F635/PIC16F636/639 (see Figure 2-2), temporary holding registers, W\_TEMP and STATUS\_TEMP, should be placed in here. These 16 locations do not require banking and therefore, make it easier to context save and restore. The same code shown in Example 12-1 can be used to:

- Store the W register.
- Store the STATUS register.
- Execute the ISR code.
- Restore the Status (and Bank Select Bit register).
- Restore the W register.

**Note:** The PIC12F635/PIC16F636/639 normally does not require saving the PCLATH. However, if computed GOTO's are used in the ISR and the main code, the PCLATH must be saved and restored in the ISR.

### EXAMPLE 12-1: SAVING STATUS AND W REGISTERS IN RAM

```
MOVWF  W_TEMP          ;Copy W to TEMP register
SWAPF  STATUS,W        ;Swap status to be saved into W
                          ;Swaps are used because they do not affect the status bits
MOVWF  STATUS_TEMP     ;Save status to bank zero STATUS_TEMP register
:
:(ISR)                  ;Insert user code here
:
SWAPF  STATUS_TEMP,W   ;Swap STATUS_TEMP register into W
                          ;(sets bank to original state)
MOVWF  STATUS          ;Move W into STATUS register
SWAPF  W_TEMP,F        ;Swap W_TEMP
SWAPF  W_TEMP,W        ;Swap W_TEMP into W
```



# PIC12F635/PIC16F636/639

## 12.11 Watchdog Timer (WDT)

The PIC12F635/PIC16F636/639 WDT is code and functionally compatible with other PIC16F WDT modules and adds a 16-bit prescaler to the WDT. This allows the user to have a scaler value for the WDT and TMR0 at the same time. In addition, the WDT time-out value can be extended to 268 seconds. WDT is cleared under certain conditions described in Table 12-7.

### 12.11.1 WDT OSCILLATOR

The WDT derives its time base from the 31 kHz LFINTOSC. The LTS bit does not reflect that the LFINTOSC is enabled.

The value of WDTCON is '---0 1000' on all Resets. This gives a nominal time base of 16 ms, which is compatible with the time base generated with previous PIC12F635/PIC16F636/639 microcontroller versions.

**Note:** When the Oscillator Start-up Timer (OST) is invoked, the WDT is held in Reset, because the WDT Ripple Counter is used by the OST to perform the oscillator delay count. When the OST count has expired, the WDT will begin counting (if enabled).

A new prescaler has been added to the path between the INTRC and the multiplexers used to select the path for the WDT. This prescaler is 16 bits and can be programmed to divide the INTRC by 32 to 65536, giving the WDT a nominal range of 1 ms to 268s.

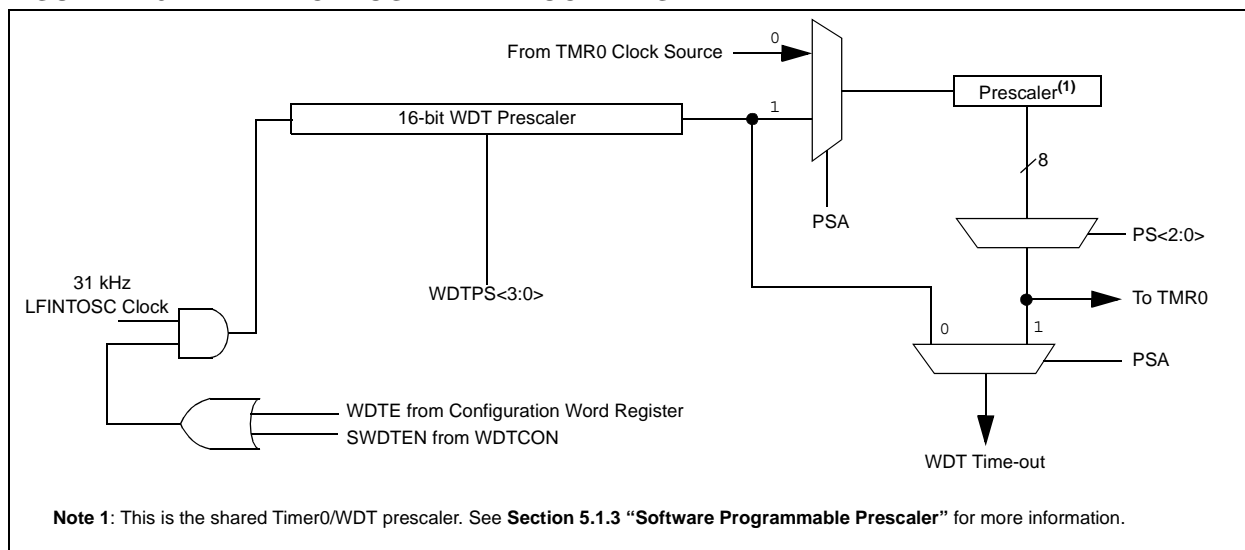
### 12.11.2 WDT CONTROL

The WDTE bit is located in the Configuration Word register. When set, the WDT runs continuously.

When the WDTE bit in the Configuration Word register is set, the SWDTEN bit of the WDTCON register has no effect. If WDTE is clear, then the SWDTEN bit can be used to enable and disable the WDT. Setting the bit will enable it and clearing the bit will disable it.

The PSA and PS<2:0> bits of the OPTION register have the same function as in previous versions of the PIC16F family of microcontrollers. See **Section 5.0 “Timer0 Module”** for more information.

**FIGURE 12-9: WATCHDOG TIMER BLOCK DIAGRAM**



**TABLE 12-7: WDT STATUS**

| Conditions   | WDT                          |
|--|------------------------------|
| WDTE = 0   | Cleared                      |
| CLRWDT Command   |                              |
| Oscillator Fail Detected                                   |                              |
| Exit Sleep + System Clock = T1OSC, EXTRC, HFINTOSC, EXTCLK |                              |
| Exit Sleep + System Clock = XT, HS, LP                     | Cleared until the end of OST |

# PIC12F635/PIC16F636/639

## REGISTER 12-2: WDTCON: WATCHDOG TIMER CONTROL REGISTER

|       |     |     |        |        |        |        |                       |
|-------|-----|-----|--------|--------|--------|--------|-----------------------|
| U-0   | U-0 | U-0 | R/W-0  | R/W-1  | R/W-0  | R/W-0  | R/W-0                 |
| —     | —   | —   | WDTPS3 | WDTPS2 | WDTPS1 | WDTPS0 | SWDTEN <sup>(1)</sup> |
| bit 7 |     |     |        |        |        |        | bit 0                 |

### Legend:

R = Readable bit                      W = Writable bit                      U = Unimplemented bit, read as '0'  
 -n = Value at POR                      '1' = Bit is set                      '0' = Bit is cleared                      x = Bit is unknown

bit 7-5                      **Unimplemented:** Read as '0'

bit 4-1                      **WDTPS<3:0>:** Watchdog Timer Period Select bits

Bit Value = Prescale Rate

0000 = 1:32

0001 = 1:64

0010 = 1:128

0011 = 1:256

0100 = 1:512 (Reset value)

0101 = 1:1024

0110 = 1:2048

0111 = 1:4096

1000 = 1:8192

1001 = 1:16384

1010 = 1:32768

1011 = 1:65536

1100 = Reserved

1101 = Reserved

1110 = Reserved

1111 = Reserved

bit 0                      **SWDTEN:** Software Enable or Disable the Watchdog Timer bit<sup>(1)</sup>

1 = WDT is turned on

0 = WDT is turned off (Reset value)

**Note 1:** If WDTE Configuration bit = 1, then WDT is always enabled, irrespective of this control bit. If WDTE Configuration bit = 0, then it is possible to turn WDT on/off with this control bit.

**TABLE 12-8: SUMMARY OF REGISTERS ASSOCIATED WITH WATCHDOG TIMER**

| Name       | Bit 7 | Bit 6  | Bit 5 | Bit 4  | Bit 3  | Bit 2  | Bit 1  | Bit 0  | Value on POR, BOR | Value on all other Resets |
|------------|-------|--------|-------|--------|--------|--------|--------|--------|-------------------|---------------------------|
| WDTCON     | —     | —      | —     | WDTPS3 | WDTPS2 | WDTPS1 | WDTPS0 | SWDTEN | ---0 1000         | ---0 1000                 |
| OPTION_REG | RAPU  | INTEDG | T0CS  | T0SE   | PSA    | PS2    | PS1    | PS0    | 1111 1111         | 1111 1111                 |
| CONFIG     | CPD   | CP     | MCLRE | PWRTE  | WDTE   | FOSC2  | FOSC1  | FOSC0  | —                 | —                         |

**Legend:** Shaded cells are not used by the Watchdog Timer.

**Note 1:** See Register 12-1 for operation of all Configuration Word register bits.

## 12.12 Power-Down Mode (Sleep)

The Power-down mode is entered by executing a `SLEEP` instruction.

If the Watchdog Timer is enabled:

- WDT will be cleared but keeps running.
- $\overline{PD}$  bit in the STATUS register is cleared.
- $\overline{TO}$  bit is set.
- Oscillator driver is turned off.
- I/O ports maintain the status they had before `SLEEP` was executed (driving high, low or high-impedance).

For lowest current consumption in this mode, all I/O pins should be either at VDD or VSS, with no external circuitry drawing current from the I/O pin and the comparators and CVREF should be disabled. I/O pins that are high-impedance inputs should be pulled high or low externally to avoid switching currents caused by floating inputs. The T0CKI input should also be at VDD or VSS for lowest current consumption. The contribution from on-chip pull-ups on PORTA should be considered.

The  $\overline{MCLR}$  pin must be at a logic high level.

**Note 1:** It should be noted that a Reset generated by a WDT time-out does not drive  $\overline{MCLR}$  pin low.

**2:** The Analog Front-End (AFE) section in the PIC16F639 device is independent of the microcontroller's power-down mode (Sleep). See **Section 11.32.2.3 "Sleep Command"** for AFE's Sleep mode.

### 12.12.1 WAKE-UP FROM SLEEP

The device can wake-up from Sleep through one of the following events:

1. External Reset input on  $\overline{MCLR}$  pin.
2. Watchdog Timer wake-up (if WDT was enabled).
3. Interrupt from RA2/INT pin, PORTA change or a peripheral interrupt.

The first event will cause a device Reset. The two latter events are considered a continuation of program execution. The  $\overline{TO}$  and  $\overline{PD}$  bits in the STATUS register can be used to determine the cause of device Reset. The  $\overline{PD}$  bit, which is set on power-up, is cleared when Sleep is invoked.  $\overline{TO}$  bit is cleared if WDT wake-up occurred.

The following peripheral interrupts can wake the device from Sleep:

1. TMR1 interrupt. Timer1 must be operating as an asynchronous counter.
2. Special event trigger (Timer1 in Asynchronous mode using an external clock).
3. EEPROM write operation completion.
4. Comparator output changes state.
5. Interrupt-on-change.
6. External Interrupt from INT pin.

Other peripherals cannot generate interrupts, since during Sleep, no on-chip clocks are present.

When the `SLEEP` instruction is being executed, the next instruction (`PC + 1`) is prefetched. For the device to wake-up through an interrupt event, the corresponding interrupt enable bit must be set (enabled). Wake-up is regardless of the state of the GIE bit. If the GIE bit is clear (disabled), the device continues execution at the instruction after the `SLEEP` instruction. If the GIE bit is set (enabled), the device executes the instruction after the `SLEEP` instruction, then branches to the interrupt address (0004h). In cases where the execution of the instruction following `SLEEP` is not desirable, the user should have a `NOP` after the `SLEEP` instruction.

**Note:** If the global interrupts are disabled (GIE is cleared), but any interrupt source has both its interrupt enable bit and the corresponding interrupt flag bits set, the device will immediately wake-up from Sleep. The `SLEEP` instruction is completely executed.

The WDT is cleared when the device wakes up from Sleep, regardless of the source of wake-up.

**Note:** If WUR is enabled (`WURE = 0` in Configuration Word), then the Wake-up Reset module will force a device Reset.

### 12.12.2 WAKE-UP USING INTERRUPTS

When global interrupts are disabled (GIE cleared) and any interrupt source has both its interrupt enable bit and interrupt flag bit set, one of the following will occur:

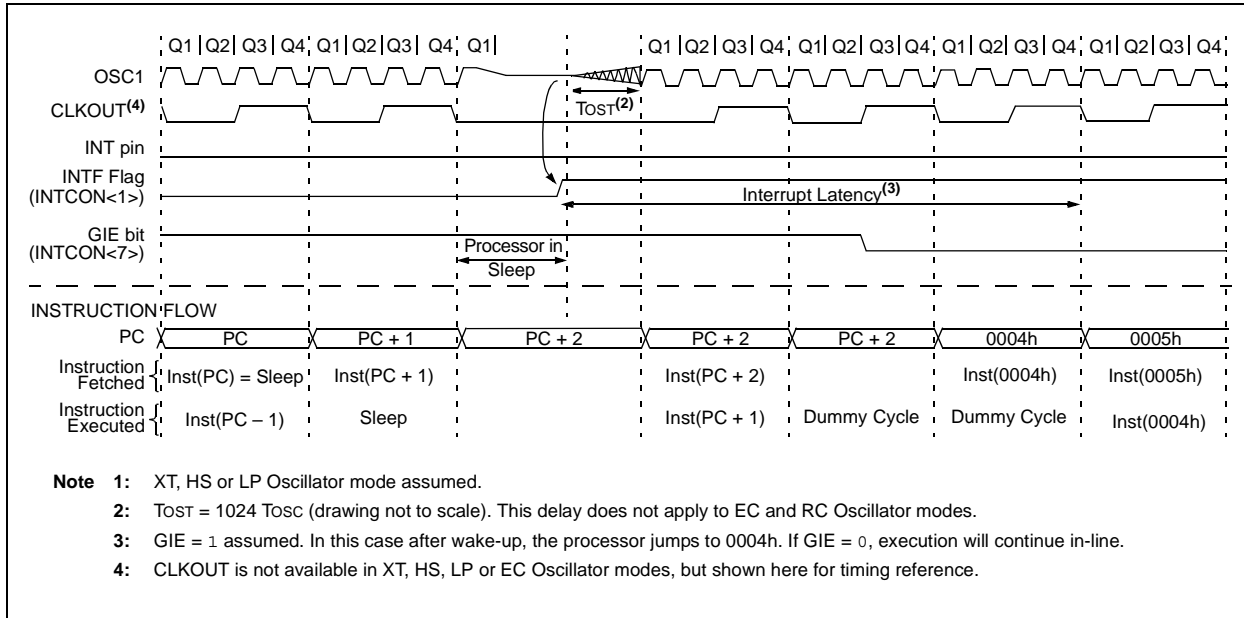
- If the interrupt occurs **before** the execution of a `SLEEP` instruction, the `SLEEP` instruction will complete as a `NOP`. Therefore, the WDT and WDT prescaler and postscaler (if enabled) will not be cleared, the  $\overline{TO}$  bit will not be set and the  $\overline{PD}$  bit will not be cleared.
- If the interrupt occurs **during or after** the execution of a `SLEEP` instruction, the device will immediately wake-up from Sleep. The `SLEEP` instruction will be completely executed before the wake-up. Therefore, the WDT and WDT prescaler and postscaler (if enabled) will be cleared, the  $\overline{TO}$  bit will be set and the  $\overline{PD}$  bit will be cleared.

Even if the flag bits were checked before executing a `SLEEP` instruction, it may be possible for flag bits to become set before the `SLEEP` instruction completes. To determine whether a `SLEEP` instruction executed, test the  $\overline{PD}$  bit. If the  $\overline{PD}$  bit is set, the `SLEEP` instruction was executed as a `NOP`.

To ensure that the WDT is cleared, a `CLRWDT` instruction should be executed before a `SLEEP` instruction.

# PIC12F635/PIC16F636/639

**FIGURE 12-10: WAKE-UP FROM SLEEP THROUGH INTERRUPT**



## 12.13 Code Protection

If the code protection bit(s) have not been programmed, the on-chip program memory can be read out using ICSP for verification purposes.

**Note:** The entire data EEPROM and Flash program memory will be erased when the code protection is turned off. See the "PIC12F6XX/16F6XX Memory Programming Specification" (DS41204) for more information.

## 12.14 ID Locations

Four memory locations (2000h-2003h) are designated as ID locations where the user can store checksum or other code identification numbers. These locations are not accessible during normal execution but are readable and writable during Program/Verify mode. Only the Least Significant 7 bits of the ID locations are used.

# PIC12F635/PIC16F636/639

## 12.15 In-Circuit Serial Programming

The PIC12F635/PIC16F636/639 microcontrollers can be serially programmed while in the end application circuit. This is simply done with two lines for clock and data and three other lines for:

- Power
- Ground
- Programming Voltage

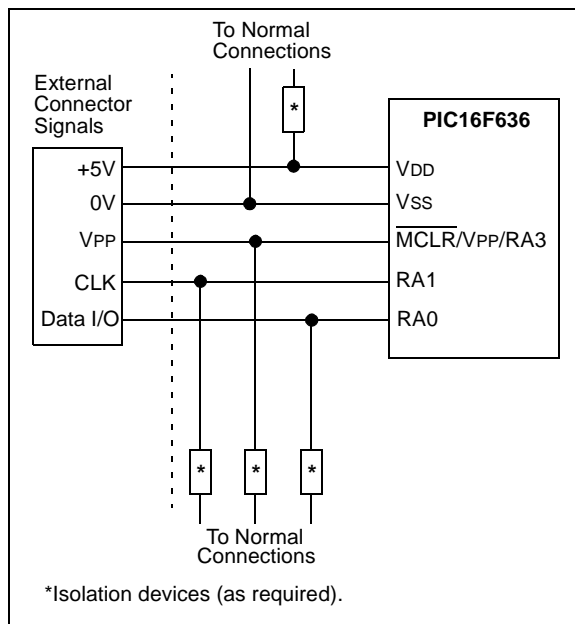
This allows customers to manufacture boards with unprogrammed devices and then program the microcontroller just before shipping the product. This also allows the most recent firmware or a custom firmware to be programmed.

The device is placed into a Program/Verify mode by holding the RA0 and RA1 pins low, while raising the MCLR (VPP) pin from V<sub>IL</sub> to V<sub>IHH</sub>. See the "PIC12F6XX/16F6XX Memory Programming Specification" (DS41204) for more information. RA0 becomes the programming data and RA1 becomes the programming clock. Both RA0 and RA1 are Schmitt Trigger inputs in this mode.

After Reset, to place the device into Program/Verify mode, the Program Counter (PC) is at location 00h. A 6-bit command is then supplied to the device. Depending on the command, 14 bits of program data are then supplied to or from the device, depending on whether the command was a load or a read. For complete details of serial programming, please refer to the "PIC12F6XX/16F6XX Memory Programming Specification" (DS41204).

A typical In-Circuit Serial Programming connection is shown in Figure 12-11.

**FIGURE 12-11: TYPICAL IN-CIRCUIT SERIAL PROGRAMMING CONNECTION**



## 12.16 In-Circuit Debugger

Since in-circuit debugging requires the loss of clock, data and MCLR pins, MPLAB® ICD 2 development with a 14-pin device is not practical. A special 20-pin PIC16F636 ICD device is used with MPLAB ICD 2 to provide separate clock, data and MCLR pins and frees all normally available pins to the user.

Use of the ICD device requires the purchase of a special header. On the top of the header is an MPLAB ICD 2 connector. On the bottom of the header is a 14-pin socket that plugs into the user's target via the 14-pin stand-off connector.

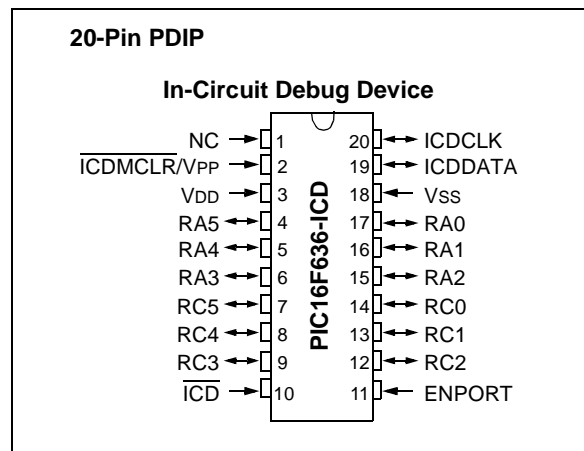
When the ICD pin on the PIC16F636 ICD device is held low, the In-Circuit Debugger functionality is enabled. This function allows simple debugging functions when used with MPLAB ICD 2. When the microcontroller has this feature enabled, some of the resources are not available for general use. Table 12-9 shows which features are consumed by the background debugger:

**TABLE 12-9: DEBUGGER RESOURCES**

| Resource       | Description                         |
|----------------|-------------------------------------|
| I/O pins       | ICDCLK, ICDDATA                     |
| Stack          | 1 level                             |
| Program Memory | Address 0h must be NOP<br>700h-7FFh |

For more information, see the "MPLAB® ICD 2 In-Circuit Debugger User's Guide" (DS51331), available on Microchip's web site ([www.microchip.com](http://www.microchip.com)).

**FIGURE 12-12: 20-PIN ICD PINOUT**



# PIC12F635/PIC16F636/639

---

NOTES:

# PIC12F635/PIC16F636/639

## 13.0 INSTRUCTION SET SUMMARY

The PIC12F635/PIC16F636/639 instruction set is highly orthogonal and is comprised of three basic categories:

- **Byte-oriented** operations
- **Bit-oriented** operations
- **Literal and control** operations

Each PIC16 instruction is a 14-bit word divided into an **opcode**, which specifies the instruction type and one or more **operands**, which further specify the operation of the instruction. The formats for each of the categories is presented in Figure 13-1, while the various opcode fields are summarized in Table 13-1.

Table 13-2 lists the instructions recognized by the MPASM™ assembler.

For **byte-oriented** instructions, 'f' represents a file register designator and 'd' represents a destination designator. The file register designator specifies which file register is to be used by the instruction.

The destination designator specifies where the result of the operation is to be placed. If 'd' is zero, the result is placed in the W register. If 'd' is one, the result is placed in the file register specified in the instruction.

For **bit-oriented** instructions, 'b' represents a bit field designator, which selects the bit affected by the operation, while 'f' represents the address of the file in which the bit is located.

For **literal and control** operations, 'k' represents an 8-bit or 11-bit constant, or literal value.

One instruction cycle consists of four oscillator periods; for an oscillator frequency of 4 MHz, this gives a nominal instruction execution time of 1 μs. All instructions are executed within a single instruction cycle, unless a conditional test is true, or the program counter is changed as a result of an instruction. When this occurs, the execution takes two instruction cycles, with the second cycle executed as a NOP.

All instruction examples use the format '0xhh' to represent a hexadecimal number, where 'h' signifies a hexadecimal digit.

### 13.1 Read-Modify-Write Operations

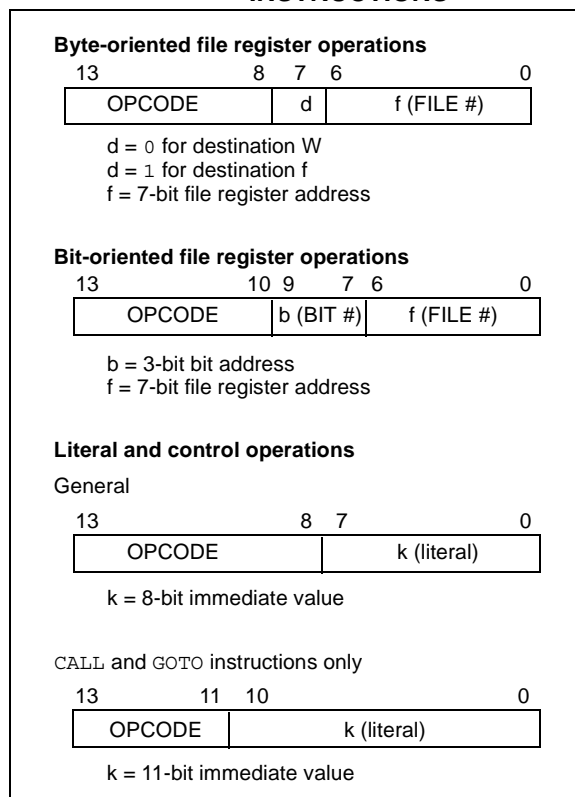
Any instruction that specifies a file register as part of the instruction performs a Read-Modify-Write (R-M-W) operation. The register is read, the data is modified, and the result is stored according to either the instruction, or the destination designator 'd'. A read operation is performed on a register even if the instruction writes to that register.

For example, a `CLRF PORTA` instruction will read PORTA, clear all the data bits, then write the result back to PORTA. This example would have the unintended consequence of clearing the condition that set the RAIF flag.

TABLE 13-1: OPCODE FIELD DESCRIPTIONS

| Field           | Description   |
|-----------------|---|
| f               | Register file address (0x00 to 0x7F)  |
| W               | Working register (accumulator)  |
| b               | Bit address within an 8-bit file register   |
| k               | Literal field, constant data or label   |
| x               | Don't care location (= 0 or 1). The assembler will generate code with x = 0. It is the recommended form of use for compatibility with all Microchip software tools. |
| d               | Destination select; d = 0: store result in W, d = 1: store result in file register f. Default is d = 1.   |
| PC              | Program Counter   |
| $\overline{TO}$ | Time-out bit  |
| C               | Carry bit   |
| DC              | Digit carry bit   |
| Z               | Zero bit  |
| $\overline{PD}$ | Power-down bit  |

FIGURE 13-1: GENERAL FORMAT FOR INSTRUCTIONS



# PIC12F635/PIC16F636/639

**TABLE 13-2: PIC12F635/PIC16F636/639 INSTRUCTION SET**

| Mnemonic,<br>Operands                         | Description | Cycles                       | 14-Bit Opcode |     |      |      | Status<br>Affected | Notes                             |         |
|---|-------------|------------------------------|---------------|-----|------|------|--------------------|-----------------------------------|---------|
|   |             |                              | MSb           | LSb |      |      |                    |                                   |         |
| <b>BYTE-ORIENTED FILE REGISTER OPERATIONS</b> |             |                              |               |     |      |      |                    |                                   |         |
| ADDWF   | f, d        | Add W and f                  | 1             | 00  | 0111 | dfff | ffff               | C, DC, Z                          | 1, 2    |
| ANDWF   | f, d        | AND W with f                 | 1             | 00  | 0101 | dfff | ffff               | Z                                 | 1, 2    |
| CLRF  | f           | Clear f                      | 1             | 00  | 0001 | 1fff | ffff               | Z                                 | 2       |
| CLRW  | –           | Clear W                      | 1             | 00  | 0001 | 0xxx | xxxx               | Z                                 |         |
| COMF  | f, d        | Complement f                 | 1             | 00  | 1001 | dfff | ffff               | Z                                 | 1, 2    |
| DECf  | f, d        | Decrement f                  | 1             | 00  | 0011 | dfff | ffff               | Z                                 | 1, 2    |
| DECFSZ  | f, d        | Decrement f, Skip if 0       | 1(2)          | 00  | 1011 | dfff | ffff               |                                   | 1, 2, 3 |
| INCF  | f, d        | Increment f                  | 1             | 00  | 1010 | dfff | ffff               | Z                                 | 1, 2    |
| INCFSZ  | f, d        | Increment f, Skip if 0       | 1(2)          | 00  | 1111 | dfff | ffff               |                                   | 1, 2, 3 |
| IORWF   | f, d        | Inclusive OR W with f        | 1             | 00  | 0100 | dfff | ffff               | Z                                 | 1, 2    |
| MOVF  | f, d        | Move f                       | 1             | 00  | 1000 | dfff | ffff               | Z                                 | 1, 2    |
| MOVWF   | f           | Move W to f                  | 1             | 00  | 0000 | 1fff | ffff               |                                   |         |
| NOP   | –           | No Operation                 | 1             | 00  | 0000 | 0xx0 | 0000               |                                   |         |
| RLF   | f, d        | Rotate Left f through Carry  | 1             | 00  | 1101 | dfff | ffff               | C                                 | 1, 2    |
| RRF   | f, d        | Rotate Right f through Carry | 1             | 00  | 1100 | dfff | ffff               | C                                 | 1, 2    |
| SUBWF   | f, d        | Subtract W from f            | 1             | 00  | 0010 | dfff | ffff               | C, DC, Z                          | 1, 2    |
| SWAPF   | f, d        | Swap nibbles in f            | 1             | 00  | 1110 | dfff | ffff               |                                   | 1, 2    |
| XORWF   | f, d        | Exclusive OR W with f        | 1             | 00  | 0110 | dfff | ffff               | Z                                 | 1, 2    |
| <b>BIT-ORIENTED FILE REGISTER OPERATIONS</b>  |             |                              |               |     |      |      |                    |                                   |         |
| BCF   | f, b        | Bit Clear f                  | 1             | 01  | 00bb | bfff | ffff               |                                   | 1, 2    |
| BSF   | f, b        | Bit Set f                    | 1             | 01  | 01bb | bfff | ffff               |                                   | 1, 2    |
| BTFSC   | f, b        | Bit Test f, Skip if Clear    | 1(2)          | 01  | 10bb | bfff | ffff               |                                   | 3       |
| BTFSS   | f, b        | Bit Test f, Skip if Set      | 1(2)          | 01  | 11bb | bfff | ffff               |                                   | 3       |
| <b>LITERAL AND CONTROL OPERATIONS</b>         |             |                              |               |     |      |      |                    |                                   |         |
| ADDLW   | k           | Add literal and W            | 1             | 11  | 111x | kkkk | kkkk               | C, DC, Z                          |         |
| ANDLW   | k           | AND literal with W           | 1             | 11  | 1001 | kkkk | kkkk               | Z                                 |         |
| CALL  | k           | Call Subroutine              | 2             | 10  | 0kkk | kkkk | kkkk               |                                   |         |
| CLRWDt  | –           | Clear Watchdog Timer         | 1             | 00  | 0000 | 0110 | 0100               | $\overline{TO}$ , $\overline{PD}$ |         |
| GOTO  | k           | Go to address                | 2             | 10  | 1kkk | kkkk | kkkk               |                                   |         |
| IORLW   | k           | Inclusive OR literal with W  | 1             | 11  | 1000 | kkkk | kkkk               | Z                                 |         |
| MOVLW   | k           | Move literal to W            | 1             | 11  | 00xx | kkkk | kkkk               |                                   |         |
| RETFIE  | –           | Return from interrupt        | 2             | 00  | 0000 | 0000 | 1001               |                                   |         |
| RETLW   | k           | Return with literal in W     | 2             | 11  | 01xx | kkkk | kkkk               |                                   |         |
| RETURN  | –           | Return from Subroutine       | 2             | 00  | 0000 | 0000 | 1000               |                                   |         |
| SLEEP   | –           | Go into Standby mode         | 1             | 00  | 0000 | 0110 | 0011               | $\overline{TO}$ , $\overline{PD}$ |         |
| SUBLW   | k           | Subtract W from literal      | 1             | 11  | 110x | kkkk | kkkk               | C, DC, Z                          |         |
| XORLW   | k           | Exclusive OR literal with W  | 1             | 11  | 1010 | kkkk | kkkk               | Z                                 |         |

- Note 1:** When an I/O register is modified as a function of itself (e.g., `MOVF GPIO, 1`), the value used will be that value present on the pins themselves. For example, if the data latch is '1' for a pin configured as input and is driven low by an external device, the data will be written back with a '0'.
- 2:** If this instruction is executed on the TMR0 register (and where applicable, d = 1), the prescaler will be cleared if assigned to the Timer0 module.
- 3:** If the Program Counter (PC) is modified, or a conditional test is true, the instruction requires two cycles. The second cycle is executed as a NOP.



## 13.2 Instruction Descriptions

### ADDLW Add literal and W

**Syntax:** [ *label* ] ADDLW k

**Operands:**  $0 \leq k \leq 255$

**Operation:**  $(W) + k \rightarrow (W)$

**Status Affected:** C, DC, Z

**Description:** The contents of the W register are added to the eight-bit literal 'k' and the result is placed in the W register.

### BCF Bit Clear f

**Syntax:** [ *label* ] BCF f,b

**Operands:**  $0 \leq f \leq 127$   
 $0 \leq b \leq 7$

**Operation:**  $0 \rightarrow (f<b>)$

**Status Affected:** None

**Description:** Bit 'b' in register 'f' is cleared.

### ADDWF Add W and f

**Syntax:** [ *label* ] ADDWF f,d

**Operands:**  $0 \leq f \leq 127$   
 $d \in [0,1]$

**Operation:**  $(W) + (f) \rightarrow (\text{destination})$

**Status Affected:** C, DC, Z

**Description:** Add the contents of the W register with register 'f'. If 'd' is '0', the result is stored in the W register. If 'd' is '1', the result is stored back in register 'f'.

### BSF Bit Set f

**Syntax:** [ *label* ] BSF f,b

**Operands:**  $0 \leq f \leq 127$   
 $0 \leq b \leq 7$

**Operation:**  $1 \rightarrow (f<b>)$

**Status Affected:** None

**Description:** Bit 'b' in register 'f' is set.

### ANDLW AND literal with W

**Syntax:** [ *label* ] ANDLW k

**Operands:**  $0 \leq k \leq 255$

**Operation:**  $(W) .\text{AND.} (k) \rightarrow (W)$

**Status Affected:** Z

**Description:** The contents of W register are AND'ed with the eight-bit literal 'k'. The result is placed in the W register.

### BTFSC Bit Test f, Skip if Clear

**Syntax:** [ *label* ] BTFSC f,b

**Operands:**  $0 \leq f \leq 127$   
 $0 \leq b \leq 7$

**Operation:** skip if  $(f<b>) = 0$

**Status Affected:** None

**Description:** If bit 'b' in register 'f' is '1', the next instruction is executed. If bit 'b', in register 'f', is '0', the next instruction is discarded, and a NOP is executed instead, making this a two-cycle instruction.

### ANDWF AND W with f

**Syntax:** [ *label* ] ANDWF f,d

**Operands:**  $0 \leq f \leq 127$   
 $d \in [0,1]$

**Operation:**  $(W) .\text{AND.} (f) \rightarrow (\text{destination})$

**Status Affected:** Z

**Description:** AND the W register with register 'f'. If 'd' is '0', the result is stored in the W register. If 'd' is '1', the result is stored back in register 'f'.

# PIC12F635/PIC16F636/639

---

---

## **BTFSF**      **Bit Test f, Skip if Set**

---

Syntax:      [ *label* ] BTFSF f,b  
Operands:     $0 \leq f \leq 127$   
               $0 \leq b < 7$   
Operation:    skip if (f<b>) = 1  
Status Affected: None  
Description:   If bit 'b' in register 'f' is '0', the next instruction is executed.  
                  If bit 'b' is '1', then the next instruction is discarded and a NOP is executed instead, making this a two-cycle instruction.

## **CLRWDT**      **Clear Watchdog Timer**

---

Syntax:      [ *label* ] CLRWDT  
Operands:    None  
Operation:    00h → WDT  
              0 → WDT prescaler,  
              1 →  $\overline{TO}$   
              1 →  $\overline{PD}$   
Status Affected:  $\overline{TO}$ ,  $\overline{PD}$   
Description:   CLRWDT instruction resets the Watchdog Timer. It also resets the prescaler of the WDT.  
                  Status bits  $\overline{TO}$  and  $\overline{PD}$  are set.

## **CALL**        **Call Subroutine**

---

Syntax:      [ *label* ] CALL k  
Operands:     $0 \leq k \leq 2047$   
Operation:    (PC)+ 1 → TOS,  
              k → PC<10:0>,  
              (PCLATH<4:3>) → PC<12:11>  
Status Affected: None  
Description:   Call Subroutine. First, return address (PC + 1) is pushed onto the stack. The eleven-bit immediate address is loaded into PC bits <10:0>. The upper bits of the PC are loaded from PCLATH. CALL is a two-cycle instruction.

## **COMF**        **Complement f**

---

Syntax:      [ *label* ] COMF f,d  
Operands:     $0 \leq f \leq 127$   
               $d \in [0,1]$   
Operation:    ( $\bar{f}$ ) → (destination)  
Status Affected: Z  
Description:   The contents of register 'f' are complemented. If 'd' is '0', the result is stored in W. If 'd' is '1', the result is stored back in register 'f'.

## **CLRF**        **Clear f**

---

Syntax:      [ *label* ] CLRF f  
Operands:     $0 \leq f \leq 127$   
Operation:    00h → (f)  
              1 → Z  
Status Affected: Z  
Description:   The contents of register 'f' are cleared and the Z bit is set.

## **DECF**        **Decrement f**

---

Syntax:      [ *label* ] DECF f,d  
Operands:     $0 \leq f \leq 127$   
               $d \in [0,1]$   
Operation:    (f) - 1 → (destination)  
Status Affected: Z  
Description:   Decrement register 'f'. If 'd' is '0', the result is stored in the W register. If 'd' is '1', the result is stored back in register 'f'.

## **CLRW**        **Clear W**

---

Syntax:      [ *label* ] CLRW  
Operands:    None  
Operation:    00h → (W)  
              1 → Z  
Status Affected: Z  
Description:   W register is cleared. Zero bit (Z) is set.

# PIC12F635/PIC16F636/639

---

**DECFSZ      Decrement f, Skip if 0**

---

Syntax:      [ *label* ] DECFSZ f,d

Operands:     $0 \leq f \leq 127$   
               $d \in [0,1]$

Operation:    (f) - 1 → (destination);  
              skip if result = 0

Status Affected: None

Description:    The contents of register 'f' are decremented. If 'd' is '0', the result is placed in the W register. If 'd' is '1', the result is placed back in register 'f'.  
              If the result is '1', the next instruction is executed. If the result is '0', then a NOP is executed instead, making it a two-cycle instruction.

---

**INCFSZ      Increment f, Skip if 0**

---

Syntax:      [ *label* ] INCFSZ f,d

Operands:     $0 \leq f \leq 127$   
               $d \in [0,1]$

Operation:    (f) + 1 → (destination),  
              skip if result = 0

Status Affected: None

Description:    The contents of register 'f' are incremented. If 'd' is '0', the result is placed in the W register. If 'd' is '1', the result is placed back in register 'f'.  
              If the result is '1', the next instruction is executed. If the result is '0', a NOP is executed instead, making it a two-cycle instruction.

---

**GOTO      Unconditional Branch**

---

Syntax:      [ *label* ] GOTO k

Operands:     $0 \leq k \leq 2047$

Operation:     $k \rightarrow PC<10:0>$   
               $PCLATH<4:3> \rightarrow PC<12:11>$

Status Affected: None

Description:    GOTO is an unconditional branch. The eleven-bit immediate value is loaded into PC bits <10:0>. The upper bits of PC are loaded from PCLATH<4:3>. GOTO is a two-cycle instruction.

---

**IORLW      Inclusive OR literal with W**

---

Syntax:      [ *label* ] IORLW k

Operands:     $0 \leq k \leq 255$

Operation:    (W) .OR. k → (W)

Status Affected: Z

Description:    The contents of the W register are OR'ed with the eight-bit literal 'k'. The result is placed in the W register.

---

**INCF      Increment f**

---

Syntax:      [ *label* ] INCF f,d

Operands:     $0 \leq f \leq 127$   
               $d \in [0,1]$

Operation:    (f) + 1 → (destination)

Status Affected: Z

Description:    The contents of register 'f' are incremented. If 'd' is '0', the result is placed in the W register. If 'd' is '1', the result is placed back in register 'f'.

---

**IORWF      Inclusive OR W with f**

---

Syntax:      [ *label* ] IORWF f,d

Operands:     $0 \leq f \leq 127$   
               $d \in [0,1]$

Operation:    (W) .OR. (f) → (destination)

Status Affected: Z

Description:    Inclusive OR the W register with register 'f'. If 'd' is '0', the result is placed in the W register. If 'd' is '1', the result is placed back in register 'f'.

# PIC12F635/PIC16F636/639

---

---

| <b>MOVF</b>      | <b>Move f</b>   |
|------------------|---|
| Syntax:          | [ <i>label</i> ] MOVF f,d   |
| Operands:        | $0 \leq f \leq 127$<br>$d \in [0,1]$  |
| Operation:       | (f) → (dest)  |
| Status Affected: | Z   |
| Description:     | The contents of register f is moved to a destination dependent upon the status of d. If d = 0, destination is W register. If d = 1, the destination is file register f itself. d = 1 is useful to test a file register since status flag Z is affected. |
| Words:           | 1   |
| Cycles:          | 1   |
| <u>Example:</u>  | MOVF FSR, 0<br>After Instruction<br>W = value in FSR register<br>Z = 1  |

| <b>MOVWF</b>     | <b>Move W to f</b>  |
|------------------|---|
| Syntax:          | [ <i>label</i> ] MOVWF f  |
| Operands:        | $0 \leq f \leq 127$   |
| Operation:       | (W) → (f)   |
| Status Affected: | None  |
| Description:     | Move data from W register to register 'f'.  |
| Words:           | 1   |
| Cycles:          | 1   |
| <u>Example:</u>  | MOVW OPTION<br>F<br>Before Instruction<br>OPTION = 0xFF<br>W = 0x4F<br>After Instruction<br>OPTION = 0x4F<br>W = 0x4F |

| <b>MOVLW</b>     | <b>Move literal to W</b>  |
|------------------|---|
| Syntax:          | [ <i>label</i> ] MOVLW k  |
| Operands:        | $0 \leq k \leq 255$   |
| Operation:       | k → (W)   |
| Status Affected: | None  |
| Description:     | The eight-bit literal 'k' is loaded into W register. The "don't cares" will assemble as '0's. |
| Words:           | 1   |
| Cycles:          | 1   |
| <u>Example:</u>  | MOVLW 0x5A<br>After Instruction<br>W = 0x5A   |

| <b>NOP</b>       | <b>No Operation</b>  |
|------------------|----------------------|
| Syntax:          | [ <i>label</i> ] NOP |
| Operands:        | None                 |
| Operation:       | No operation         |
| Status Affected: | None                 |
| Description:     | No operation.        |
| Words:           | 1                    |
| Cycles:          | 1                    |
| <u>Example:</u>  | NOP                  |

# PIC12F635/PIC16F636/639

| <b>RETFIE</b>    | <b>Return from Interrupt</b>   |
|------------------|--|
| Syntax:          | [ <i>label</i> ] RETFIE  |
| Operands:        | None   |
| Operation:       | TOS → PC,<br>1 → GIE   |
| Status Affected: | None   |
| Description:     | Return from Interrupt. Stack is POPed and Top-of-Stack (TOS) is loaded in the PC. Interrupts are enabled by setting Global Interrupt Enable bit, GIE (INTCON<7>). This is a two-cycle instruction. |
| Words:           | 1  |
| Cycles:          | 2  |
| <u>Example:</u>  | <pre>RETFIE  After Interrupt     PC =  TOS     GIE = 1</pre>   |

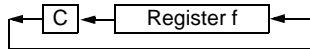
| <b>RETLW</b>     | <b>Return with literal in W</b>  |
|------------------|--|
| Syntax:          | [ <i>label</i> ] RETLW k   |
| Operands:        | 0 ≤ k ≤ 255  |
| Operation:       | k → (W);<br>TOS → PC   |
| Status Affected: | None   |
| Description:     | The W register is loaded with the eight-bit literal 'k'. The program counter is loaded from the top of the stack (the return address). This is a two-cycle instruction.  |
| Words:           | 1  |
| Cycles:          | 2  |
| <u>Example:</u>  | <pre>CALL TABLE;W contains table     ;offset value     ;W now has table value     .     .     ADDWF PC ;W = offset     RETLW k1 ;Begin table     RETLW k2 ;     .     .     .     RETLW kn ; End of table  Before Instruction     W = 0x07 After Instruction     W = value of k8</pre> |

| <b>RETURN</b>    | <b>Return from Subroutine</b>  |
|------------------|--|
| Syntax:          | [ <i>label</i> ] RETURN  |
| Operands:        | None   |
| Operation:       | TOS → PC   |
| Status Affected: | None   |
| Description:     | Return from subroutine. The stack is POPed and the top of the stack (TOS) is loaded into the program counter. This is a two-cycle instruction. |

# PIC12F635/PIC16F636/639

## RLF Rotate Left f through Carry

**Syntax:** [ *label* ] RLF f,d  
**Operands:**  $0 \leq f \leq 127$   
 $d \in [0,1]$   
**Operation:** See description below  
**Status Affected:** C  
**Description:** The contents of register 'f' are rotated one bit to the left through the Carry flag. If 'd' is '0', the result is placed in the W register. If 'd' is '1', the result is stored back in register 'f'.



**Words:** 1  
**Cycles:** 1  
**Example:**

```

RLF    REG1,0

Before Instruction
REG1   = 1110 0110
C      = 0

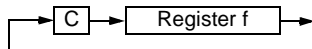
After Instruction
REG1   = 1110 0110
W      = 1100 1100
C      = 1
    
```

## SLEEP Enter Sleep mode

**Syntax:** [ *label* ] SLEEP  
**Operands:** None  
**Operation:** 00h → WDT,  
0 → WDT prescaler,  
1 →  $\overline{TO}$ ,  
0 →  $\overline{PD}$   
**Status Affected:**  $\overline{TO}$ ,  $\overline{PD}$   
**Description:** The power-down Status bit,  $\overline{PD}$  is cleared. Time-out Status bit,  $\overline{TO}$  is set. Watchdog Timer and its prescaler are cleared. The processor is put into Sleep mode with the oscillator stopped.

## RRF Rotate Right f through Carry

**Syntax:** [ *label* ] RRF f,d  
**Operands:**  $0 \leq f \leq 127$   
 $d \in [0,1]$   
**Operation:** See description below  
**Status Affected:** C  
**Description:** The contents of register 'f' are rotated one bit to the right through the Carry flag. If 'd' is '0', the result is placed in the W register. If 'd' is '1', the result is placed back in register 'f'.



## SUBLW Subtract W from literal

**Syntax:** [ *label* ] SUBLW k  
**Operands:**  $0 \leq k \leq 255$   
**Operation:**  $k - (W) \rightarrow (W)$   
**Status Affected:** C, DC, Z  
**Description:** The W register is subtracted (2's complement method) from the eight-bit literal 'k'. The result is placed in the W register.

|        |  |
|--------|--|
| C = 0  | $W > k$  |
| C = 1  | $W \leq k$                                       |
| DC = 0 | $W\langle 3:0 \rangle > k\langle 3:0 \rangle$    |
| DC = 1 | $W\langle 3:0 \rangle \leq k\langle 3:0 \rangle$ |

# PIC12F635/PIC16F636/639

## **SUBWF**      **Subtract W from f**

Syntax:      [ *label* ] SUBWF f,d

Operands:     $0 \leq f \leq 127$   
               $d \in [0,1]$

Operation:     $(f) - (W) \rightarrow (\text{destination})$

Status Affected: C, DC, Z

Description:   Subtract (2's complement method) W register from register 'f'. If 'd' is '0', the result is stored in the W register. If 'd' is '1', the result is stored back in register 'f'.

|        |  |
|--------|--|
| C = 0  | $W > f$  |
| C = 1  | $W \leq f$                                       |
| DC = 0 | $W\langle 3:0 \rangle > f\langle 3:0 \rangle$    |
| DC = 1 | $W\langle 3:0 \rangle \leq f\langle 3:0 \rangle$ |

## **SWAPF**      **Swap Nibbles in f**

Syntax:      [ *label* ] SWAPF f,d

Operands:     $0 \leq f \leq 127$   
               $d \in [0,1]$

Operation:     $(f\langle 3:0 \rangle) \rightarrow (\text{destination}\langle 7:4 \rangle)$ ,  
               $(f\langle 7:4 \rangle) \rightarrow (\text{destination}\langle 3:0 \rangle)$

Status Affected: None

Description:   The upper and lower nibbles of register 'f' are exchanged. If 'd' is '0', the result is placed in the W register. If 'd' is '1', the result is placed in register 'f'.

## **XORLW**      **Exclusive OR literal with W**

Syntax:      [ *label* ] XORLW k

Operands:     $0 \leq k \leq 255$

Operation:     $(W) .XOR. k \rightarrow (W)$

Status Affected: Z

Description:   The contents of the W register are XOR'ed with the eight-bit literal 'k'. The result is placed in the W register.

## **XORWF**      **Exclusive OR W with f**

Syntax:      [ *label* ] XORWF f,d

Operands:     $0 \leq f \leq 127$   
               $d \in [0,1]$

Operation:     $(W) .XOR. (f) \rightarrow (\text{destination})$

Status Affected: Z

Description:   Exclusive OR the contents of the W register with register 'f'. If 'd' is '0', the result is stored in the W register. If 'd' is '1', the result is stored back in register 'f'.

# PIC12F635/PIC16F636/639

---

---

NOTES:



## 14.0 DEVELOPMENT SUPPORT

The PIC<sup>®</sup> microcontrollers are supported with a full range of hardware and software development tools:

- Integrated Development Environment
  - MPLAB<sup>®</sup> IDE Software
- Assemblers/Compilers/Linkers
  - MPASM<sup>™</sup> Assembler
  - MPLAB C18 and MPLAB C30 C Compilers
  - MPLINK<sup>™</sup> Object Linker/  
MPLIB<sup>™</sup> Object Librarian
  - MPLAB ASM30 Assembler/Linker/Library
- Simulators
  - MPLAB SIM Software Simulator
- Emulators
  - MPLAB ICE 2000 In-Circuit Emulator
  - MPLAB REAL ICE<sup>™</sup> In-Circuit Emulator
- In-Circuit Debugger
  - MPLAB ICD 2
- Device Programmers
  - PICSTART<sup>®</sup> Plus Development Programmer
  - MPLAB PM3 Device Programmer
  - PICKit<sup>™</sup> 2 Development Programmer
- Low-Cost Demonstration and Development Boards and Evaluation Kits

## 14.1 MPLAB Integrated Development Environment Software

The MPLAB IDE software brings an ease of software development previously unseen in the 8/16-bit microcontroller market. The MPLAB IDE is a Windows<sup>®</sup> operating system-based application that contains:

- A single graphical interface to all debugging tools
  - Simulator
  - Programmer (sold separately)
  - Emulator (sold separately)
  - In-Circuit Debugger (sold separately)
- A full-featured editor with color-coded context
- A multiple project manager
- Customizable data windows with direct edit of contents
- High-level source code debugging
- Visual device initializer for easy register initialization
- Mouse over variable inspection
- Drag and drop variables from source to watch windows
- Extensive on-line help
- Integration of select third party tools, such as HI-TECH Software C Compilers and IAR C Compilers

The MPLAB IDE allows you to:

- Edit your source files (either assembly or C)
- One touch assemble (or compile) and download to PIC MCU emulator and simulator tools (automatically updates all project information)
- Debug using:
  - Source files (assembly or C)
  - Mixed assembly and C
  - Machine code

MPLAB IDE supports multiple debugging tools in a single development paradigm, from the cost-effective simulators, through low-cost in-circuit debuggers, to full-featured emulators. This eliminates the learning curve when upgrading to tools with increased flexibility and power.

# PIC12F635/PIC16F636/639

---

## 14.2 MPASM Assembler

The MPASM Assembler is a full-featured, universal macro assembler for all PIC MCUs.

The MPASM Assembler generates relocatable object files for the MPLINK Object Linker, Intel® standard HEX files, MAP files to detail memory usage and symbol reference, absolute LST files that contain source lines and generated machine code and COFF files for debugging.

The MPASM Assembler features include:

- Integration into MPLAB IDE projects
- User-defined macros to streamline assembly code
- Conditional assembly for multi-purpose source files
- Directives that allow complete control over the assembly process

## 14.3 MPLAB C18 and MPLAB C30 C Compilers

The MPLAB C18 and MPLAB C30 Code Development Systems are complete ANSI C compilers for Microchip's PIC18 and PIC24 families of microcontrollers and the dsPIC30 and dsPIC33 family of digital signal controllers. These compilers provide powerful integration capabilities, superior code optimization and ease of use not found with other compilers.

For easy source level debugging, the compilers provide symbol information that is optimized to the MPLAB IDE debugger.

## 14.4 MPLINK Object Linker/ MPLIB Object Librarian

The MPLINK Object Linker combines relocatable objects created by the MPASM Assembler and the MPLAB C18 C Compiler. It can link relocatable objects from precompiled libraries, using directives from a linker script.

The MPLIB Object Librarian manages the creation and modification of library files of precompiled code. When a routine from a library is called from a source file, only the modules that contain that routine will be linked in with the application. This allows large libraries to be used efficiently in many different applications.

The object linker/library features include:

- Efficient linking of single libraries instead of many smaller files
- Enhanced code maintainability by grouping related modules together
- Flexible creation of libraries with easy module listing, replacement, deletion and extraction

## 14.5 MPLAB ASM30 Assembler, Linker and Librarian

MPLAB ASM30 Assembler produces relocatable machine code from symbolic assembly language for dsPIC30F devices. MPLAB C30 C Compiler uses the assembler to produce its object file. The assembler generates relocatable object files that can then be archived or linked with other relocatable object files and archives to create an executable file. Notable features of the assembler include:

- Support for the entire dsPIC30F instruction set
- Support for fixed-point and floating-point data
- Command line interface
- Rich directive set
- Flexible macro language
- MPLAB IDE compatibility

## 14.6 MPLAB SIM Software Simulator

The MPLAB SIM Software Simulator allows code development in a PC-hosted environment by simulating the PIC MCUs and dsPIC® DSCs on an instruction level. On any given instruction, the data areas can be examined or modified and stimuli can be applied from a comprehensive stimulus controller. Registers can be logged to files for further run-time analysis. The trace buffer and logic analyzer display extend the power of the simulator to record and track program execution, actions on I/O, most peripherals and internal registers.

The MPLAB SIM Software Simulator fully supports symbolic debugging using the MPLAB C18 and MPLAB C30 C Compilers, and the MPASM and MPLAB ASM30 Assemblers. The software simulator offers the flexibility to develop and debug code outside of the hardware laboratory environment, making it an excellent, economical software development tool.

## 14.7 MPLAB ICE 2000 High-Performance In-Circuit Emulator

The MPLAB ICE 2000 In-Circuit Emulator is intended to provide the product development engineer with a complete microcontroller design tool set for PIC microcontrollers. Software control of the MPLAB ICE 2000 In-Circuit Emulator is advanced by the MPLAB Integrated Development Environment, which allows editing, building, downloading and source debugging from a single environment.

The MPLAB ICE 2000 is a full-featured emulator system with enhanced trace, trigger and data monitoring features. Interchangeable processor modules allow the system to be easily reconfigured for emulation of different processors. The architecture of the MPLAB ICE 2000 In-Circuit Emulator allows expansion to support new PIC microcontrollers.

The MPLAB ICE 2000 In-Circuit Emulator system has been designed as a real-time emulation system with advanced features that are typically found on more expensive development tools. The PC platform and Microsoft® Windows® 32-bit operating system were chosen to best make these features available in a simple, unified application.

## 14.8 MPLAB REAL ICE In-Circuit Emulator System

MPLAB REAL ICE In-Circuit Emulator System is Microchip's next generation high-speed emulator for Microchip Flash DSC® and MCU devices. It debugs and programs PIC® and dsPIC® Flash microcontrollers with the easy-to-use, powerful graphical user interface of the MPLAB Integrated Development Environment (IDE), included with each kit.

The MPLAB REAL ICE probe is connected to the design engineer's PC using a high-speed USB 2.0 interface and is connected to the target with either a connector compatible with the popular MPLAB ICD 2 system (RJ11) or with the new high speed, noise tolerant, low-voltage differential signal (LVDS) interconnection (CAT5).

MPLAB REAL ICE is field upgradeable through future firmware downloads in MPLAB IDE. In upcoming releases of MPLAB IDE, new devices will be supported, and new features will be added, such as software breakpoints and assembly code trace. MPLAB REAL ICE offers significant advantages over competitive emulators including low-cost, full-speed emulation, real-time variable watches, trace analysis, complex breakpoints, a ruggedized probe interface and long (up to three meters) interconnection cables.

## 14.9 MPLAB ICD 2 In-Circuit Debugger

Microchip's In-Circuit Debugger, MPLAB ICD 2, is a powerful, low-cost, run-time development tool, connecting to the host PC via an RS-232 or high-speed USB interface. This tool is based on the Flash PIC MCUs and can be used to develop for these and other PIC MCUs and dsPIC DSCs. The MPLAB ICD 2 utilizes the in-circuit debugging capability built into the Flash devices. This feature, along with Microchip's In-Circuit Serial Programming™ (ICSP™) protocol, offers cost-effective, in-circuit Flash debugging from the graphical user interface of the MPLAB Integrated Development Environment. This enables a designer to develop and debug source code by setting breakpoints, single stepping and watching variables, and CPU status and peripheral registers. Running at full speed enables testing hardware and applications in real time. MPLAB ICD 2 also serves as a development programmer for selected PIC devices.

## 14.10 MPLAB PM3 Device Programmer

The MPLAB PM3 Device Programmer is a universal, CE compliant device programmer with programmable voltage verification at VDDMIN and VDDMAX for maximum reliability. It features a large LCD display (128 x 64) for menus and error messages and a modular, detachable socket assembly to support various package types. The ICSP™ cable assembly is included as a standard item. In Stand-Alone mode, the MPLAB PM3 Device Programmer can read, verify and program PIC devices without a PC connection. It can also set code protection in this mode. The MPLAB PM3 connects to the host PC via an RS-232 or USB cable. The MPLAB PM3 has high-speed communications and optimized algorithms for quick programming of large memory devices and incorporates an SD/MMC card for file storage and secure data applications.

# PIC12F635/PIC16F636/639

---

## 14.11 PICSTART Plus Development Programmer

The PICSTART Plus Development Programmer is an easy-to-use, low-cost, prototype programmer. It connects to the PC via a COM (RS-232) port. MPLAB Integrated Development Environment software makes using the programmer simple and efficient. The PICSTART Plus Development Programmer supports most PIC devices in DIP packages up to 40 pins. Larger pin count devices, such as the PIC16C92X and PIC17C76X, may be supported with an adapter socket. The PICSTART Plus Development Programmer is CE compliant.

## 14.12 PICkit 2 Development Programmer

The PICkit™ 2 Development Programmer is a low-cost programmer and selected Flash device debugger with an easy-to-use interface for programming many of Microchip's baseline, mid-range and PIC18F families of Flash memory microcontrollers. The PICkit 2 Starter Kit includes a prototyping development board, twelve sequential lessons, software and HI-TECH's PICC™ Lite C compiler, and is designed to help get up to speed quickly using PIC® microcontrollers. The kit provides everything needed to program, evaluate and develop applications using Microchip's powerful, mid-range Flash memory family of microcontrollers.

## 14.13 Demonstration, Development and Evaluation Boards

A wide variety of demonstration, development and evaluation boards for various PIC MCUs and dsPIC DSCs allows quick application development on fully functional systems. Most boards include prototyping areas for adding custom circuitry and provide application firmware and source code for examination and modification.

The boards support a variety of features, including LEDs, temperature sensors, switches, speakers, RS-232 interfaces, LCD displays, potentiometers and additional EEPROM memory.

The demonstration and development boards can be used in teaching environments, for prototyping custom circuits and for learning about various microcontroller applications.

In addition to the PICDEM™ and dsPICDEM™ demonstration/development board series of circuits, Microchip has a line of evaluation kits and demonstration software for analog filter design, KEELOQ® security ICs, CAN, IrDA®, PowerSmart® battery management, SEEVAL® evaluation system, Sigma-Delta ADC, flow rate sensing, plus many more.

Check the Microchip web page ([www.microchip.com](http://www.microchip.com)) and the latest "Product Selector Guide" (DS00148) for the complete list of demonstration, development and evaluation kits.

# PIC12F635/PIC16F636/639

## 15.0 ELECTRICAL SPECIFICATIONS

### Absolute Maximum Ratings<sup>(†)</sup>

|  |                       |
|--|-----------------------|
| Ambient temperature under bias.....  | -40°C to +125°C       |
| Storage temperature .....  | -65°C to +150°C       |
| Voltage on VDD with respect to VSS .....   | -0.3V to +6.5V        |
| Voltage on MCLR with respect to VSS .....  | -0.3V to +13.5V       |
| Voltage on all other pins with respect to VSS .....  | -0.3V to (VDD + 0.3V) |
| Total power dissipation <sup>(1)</sup> .....   | 800 mW                |
| Maximum current out of VSS/VSS pin .....   | 95 mA                 |
| Maximum current into VDD/VDD pin .....   | 95 mA                 |
| Input clamp current, I <sub>IK</sub> (V <sub>I</sub> < 0 or V <sub>I</sub> > V <sub>DD</sub> ).....  | ± 20 mA               |
| Output clamp current, I <sub>OK</sub> (V <sub>O</sub> < 0 or V <sub>O</sub> > V <sub>DD</sub> )..... | ± 20 mA               |
| Maximum output current sunk by any I/O pin.....  | 25 mA                 |
| Maximum output current sourced by any I/O pin .....  | 25 mA                 |
| Maximum current sunk by PORTA and PORTC (combined) .....   | 95 mA                 |
| Maximum current sourced PORTA and PORTC (combined).....  | 95 mA                 |
| Maximum LC Input Voltage (LCX, LCY, LCZ) <sup>(2)</sup> loaded, with device .....                    | 10.0 V <sub>PP</sub>  |
| Maximum LC Input Voltage (LCX, LCY, LCZ) <sup>(2)</sup> unloaded, without device .....               | 700.0 V <sub>PP</sub> |
| Maximum Input Current (rms) into device per LC Channel <sup>(2)</sup> .....                          | 10 mA                 |
| Human Body ESD rating .....  | 4000 (min.) V         |
| Machine Model ESD rating .....   | 400 (min.) V          |

**Note 1:** Power dissipation for PIC12F635/PIC16F636/639 (AFE section not included) is calculated as follows:

$$P_{DIS} = V_{DD} \times \{I_{DD} - \sum I_{OH}\} + \sum \{(V_{DD} - V_{OH}) \times I_{OH}\} + \sum (V_{OL} \times I_{OL}).$$

Power dissipation for AFE section is calculated as follows:

$$P_{DIS} = V_{DD} \times I_{ACT} = 3.6V \times 16 \mu A = 57.6 \mu W$$

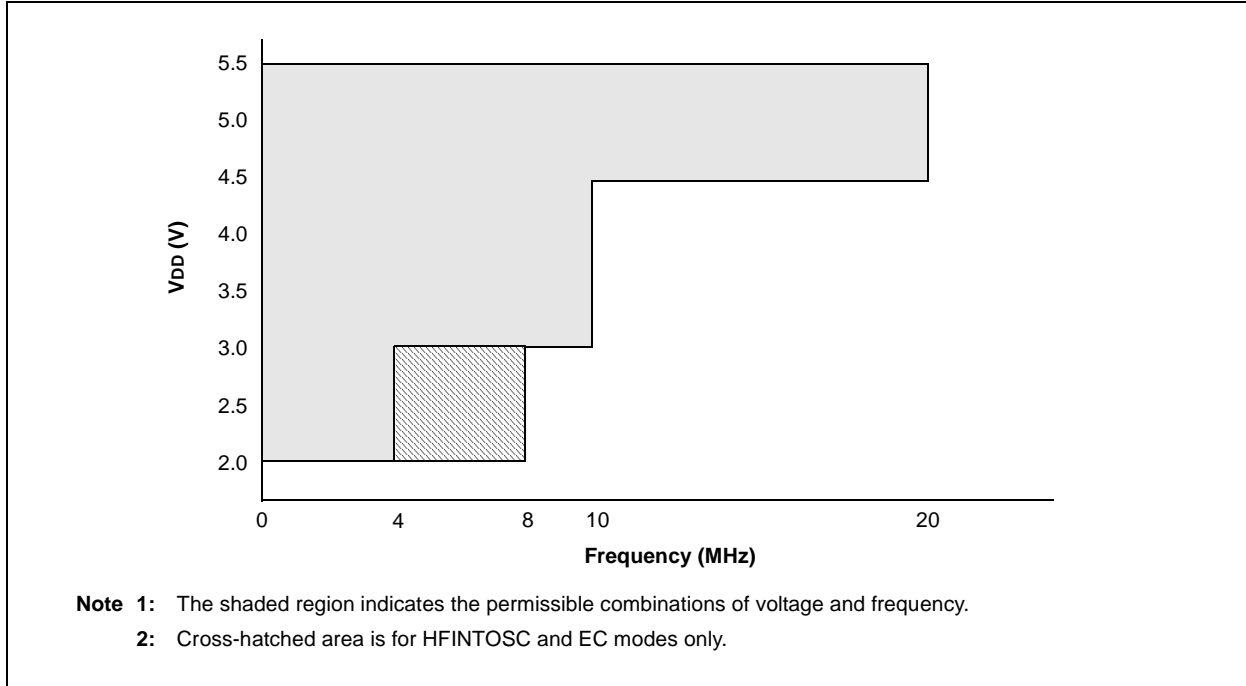
**2:** Specification applies to the PIC16F639 only.

† NOTICE: Stresses above those listed under “Absolute Maximum Ratings” may cause permanent damage to the device. This is a stress rating only and functional operation of the device at those or any other conditions above those indicated in the operation listings of this specification is not implied. Exposure to maximum rating conditions for extended periods may affect device reliability.

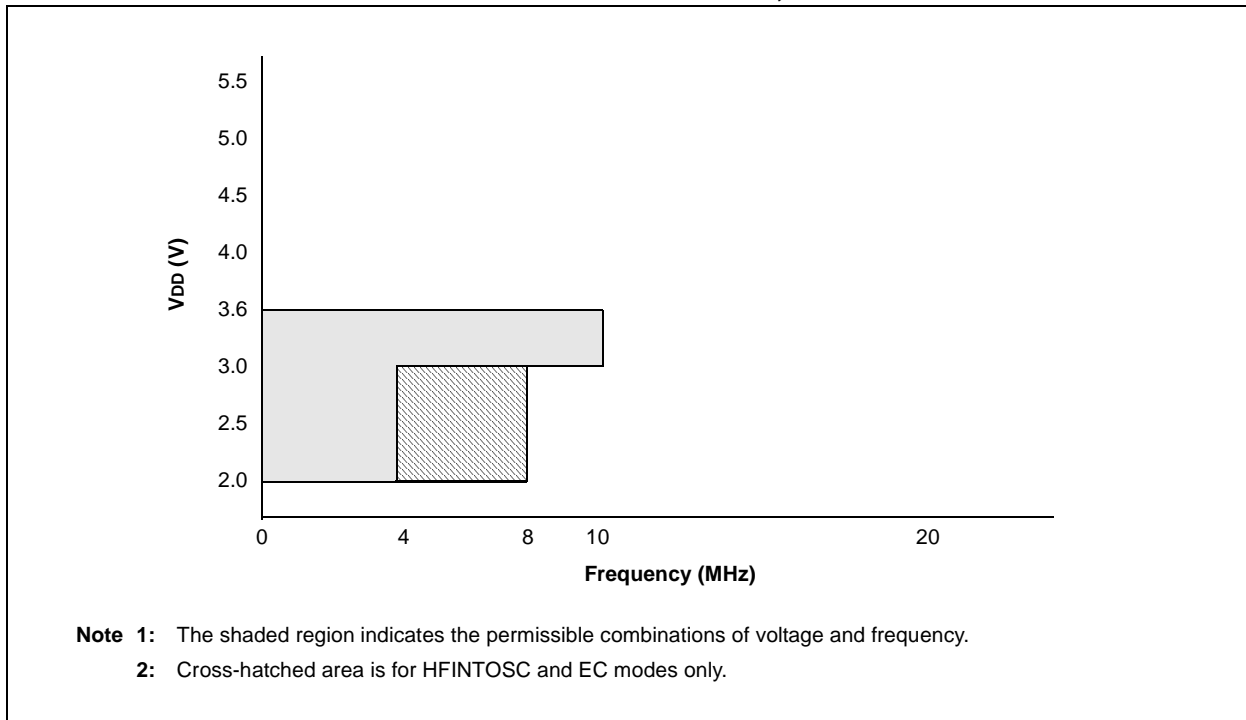
**Note:** Voltage spikes below VSS at the MCLR pin, inducing currents greater than 80 mA, may cause latch-up. Thus, a series resistor of 50-100Ω should be used when applying a ‘low’ level to the MCLR pin, rather than pulling this pin directly to VSS.

# PIC12F635/PIC16F636/639

**FIGURE 15-1: PIC12F635/16F636 VOLTAGE-FREQUENCY GRAPH,  $-40^{\circ}\text{C} \leq T_A \leq +125^{\circ}\text{C}$**

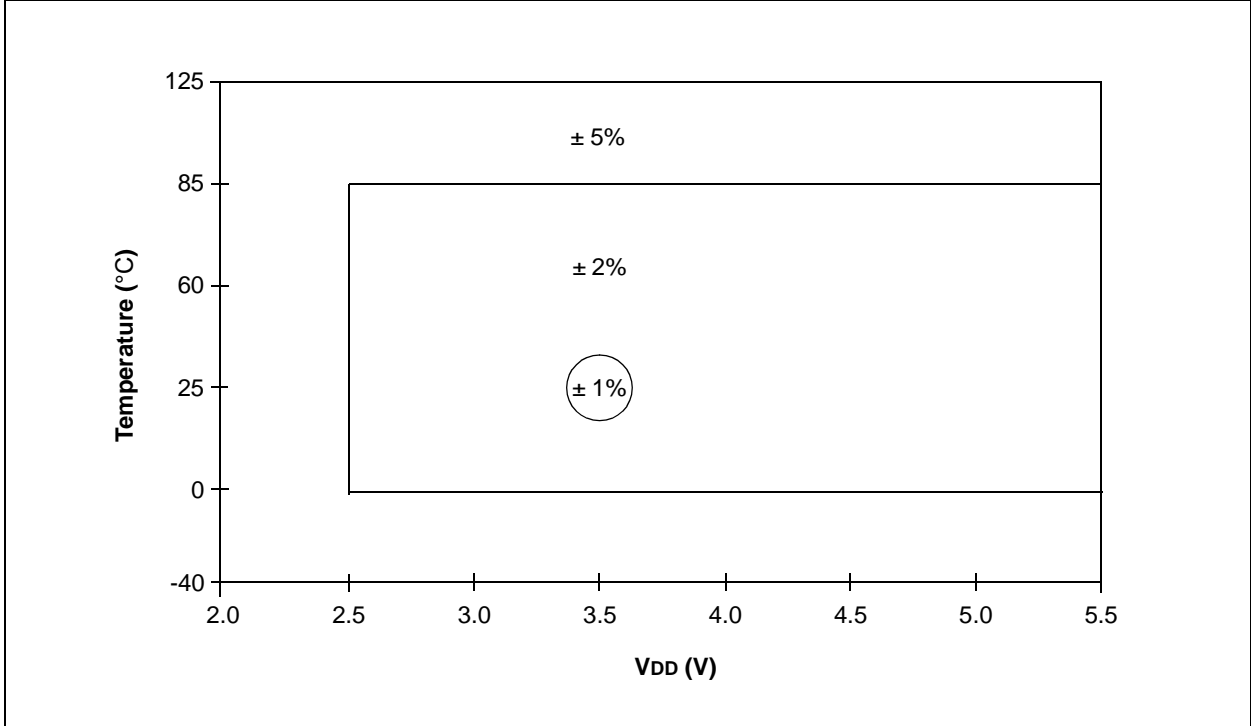


**FIGURE 15-2: PIC16F639 VOLTAGE-FREQUENCY GRAPH,  $-40^{\circ}\text{C} \leq T_A \leq +85^{\circ}\text{C}$**



# PIC12F635/PIC16F636/639

FIGURE 15-3: HFINTOSC FREQUENCY ACCURACY OVER DEVICE V<sub>DD</sub> AND TEMPERATURE



# PIC12F635/PIC16F636/639

## 15.1 DC Characteristics: PIC12F635/PIC16F636-I (Industrial) PIC12F635/PIC16F636-E (Extended)

| DC CHARACTERISTICS              |      |   | Standard Operating Conditions (unless otherwise stated)<br>Operating temperature -40°C ≤ TA ≤ +85°C for industrial<br>-40°C ≤ TA ≤ +125°C for extended |                  |                          |                  |  |
|---------------------------------|------|---|--|------------------|--------------------------|------------------|--|
| Param No.                       | Sym  | Characteristic  | Min  | Typ†             | Max                      | Units            | Conditions   |
| D001<br>D001A<br>D001B<br>D001C | VDD  | <b>Supply Voltage</b>   | 2.0<br>2.0<br>3.0<br>4.5   | —<br>—<br>—<br>— | 5.5<br>5.5<br>5.5<br>5.5 | V<br>V<br>V<br>V | FOSC ≤ 4 MHz<br>FOSC ≤ 8 MHz, HFINTOSC, EC<br>FOSC ≤ 10 MHz<br>FOSC ≤ 20 MHz |
| D002                            | VDR  | <b>RAM Data Retention Voltage<sup>(1)</sup></b>                   | 1.5*   | —                | —                        | V                | Device in Sleep mode   |
| D003                            | VPOR | <b>VDD Start Voltage</b> to ensure internal Power-on Reset signal | —  | VSS              | —                        | V                | See <b>Section 12.3 “Power-on Reset”</b> for details.                        |
| D004                            | SVDD | <b>VDD Rise Rate</b> to ensure internal Power-on Reset signal     | 0.05*  | —                | —                        | V/ms             | See <b>Section 12.3 “Power-on Reset”</b> for details.                        |
| D005                            | VBOD | <b>Brown-out Reset</b>  | 2.0  | 2.1              | 2.2                      | V                |  |

\* These parameters are characterized but not tested.

† Data in “Typ” column is at 5.0V, 25°C unless otherwise stated. These parameters are for design guidance only and are not tested.

**Note 1:** This is the limit to which VDD can be lowered in Sleep mode without losing RAM data.



# PIC12F635/PIC16F636/639

## 15.2 DC Characteristics: PIC12F635/PIC16F636-I (Industrial)

| DC CHARACTERISTICS |                 |                                 | Standard Operating Conditions (unless otherwise stated)<br>Operating temperature $-40^{\circ}\text{C} \leq T_A \leq +85^{\circ}\text{C}$ for industrial |      |      |       |                 |   |
|--------------------|-----------------|---------------------------------|---|------|------|-------|-----------------|---|
| Param No.          | Sym             | Device Characteristics          | Min   | Typ† | Max  | Units | Conditions      |   |
|                    |                 |                                 |   |      |      |       | V <sub>DD</sub> | Note                                    |
| D010               | I <sub>DD</sub> | Supply Current <sup>(1,2)</sup> | —   | 11   | 16   | μA    | 2.0             | Fosc = 32.768 kHz<br>LP Oscillator mode |
|                    |                 |                                 | —   | 18   | 28   | μA    | 3.0             |   |
|                    |                 |                                 | —   | 35   | 54   | μA    | 5.0             |   |
| D011               |                 |                                 | —   | 140  | 240  | μA    | 2.0             | Fosc = 1 MHz<br>XT Oscillator mode      |
|                    |                 |                                 | —   | 220  | 380  | μA    | 3.0             |   |
|                    |                 |                                 | —   | 380  | 550  | μA    | 5.0             |   |
| D012               |                 |                                 | —   | 260  | 360  | μA    | 2.0             | Fosc = 4 MHz<br>XT Oscillator mode      |
|                    |                 |                                 | —   | 420  | 650  | μA    | 3.0             |   |
|                    |                 |                                 | —   | 0.8  | 1.1  | mA    | 5.0             |   |
| D013               |                 |                                 | —   | 130  | 220  | μA    | 2.0             | Fosc = 1 MHz<br>EC Oscillator mode      |
|                    |                 |                                 | —   | 215  | 360  | μA    | 3.0             |   |
|                    |                 |                                 | —   | 360  | 520  | μA    | 5.0             |   |
| D014               |                 |                                 | —   | 220  | 340  | μA    | 2.0             | Fosc = 4 MHz<br>EC Oscillator mode      |
|                    |                 |                                 | —   | 375  | 550  | μA    | 3.0             |   |
|                    |                 |                                 | —   | 0.65 | 1.0  | mA    | 5.0             |   |
| D015               |                 |                                 | —   | 8    | 20   | μA    | 2.0             | Fosc = 31 kHz<br>LFINTOSC mode          |
|                    |                 |                                 | —   | 16   | 40   | μA    | 3.0             |   |
|                    |                 |                                 | —   | 31   | 65   | μA    | 5.0             |   |
| D016               |                 |                                 | —   | 340  | 450  | μA    | 2.0             | Fosc = 4 MHz<br>HFINTOSC mode           |
|                    |                 |                                 | —   | 500  | 700  | μA    | 3.0             |   |
|                    |                 |                                 | —   | 0.8  | 1.2  | mA    | 5.0             |   |
| D017               |                 |                                 | —   | 410  | 650  | μA    | 2.0             | Fosc = 8 MHz<br>HFINTOSC mode           |
|                    |                 |                                 | —   | 700  | 950  | μA    | 3.0             |   |
|                    |                 |                                 | —   | 1.30 | 1.65 | mA    | 5.0             |   |
| D018               |                 |                                 | —   | 230  | 400  | μA    | 2.0             | Fosc = 4 MHz<br>EXTRC mode              |
|                    |                 |                                 | —   | 400  | 680  | μA    | 3.0             |   |
|                    |                 |                                 | —   | 0.63 | 1.1  | mA    | 5.0             |   |
| D019               |                 |                                 | —   | 2.6  | 3.25 | mA    | 4.5             | Fosc = 20 MHz<br>HS Oscillator mode     |
|                    |                 |                                 | —   | 2.6  | 3.25 | mA    | 5.0             |   |

† Data in "Typ" column is at 5.0V, 25°C unless otherwise stated. These parameters are for design guidance only and are not tested.

**Note 1:** The test conditions for all I<sub>DD</sub> measurements in Active Operation mode are: OSC1 = external square wave, from rail-to-rail; all I/O pins tri-stated, pulled to V<sub>DD</sub>; MCLR = V<sub>DD</sub>; WDT disabled. MCU only, Analog Front-End not included.

**2:** The supply current is mainly a function of the operating voltage and frequency. Other factors, such as I/O pin loading and switching rate, oscillator type, internal code execution pattern and temperature, also have an impact on the current consumption. MCU only, Analog Front-End not included.

**3:** The peripheral current is the sum of the base I<sub>DD</sub> or I<sub>PD</sub> and the additional current consumed when this peripheral is enabled. The peripheral Δ current can be determined by subtracting the base I<sub>DD</sub> or I<sub>PD</sub> current from this limit. Max values should be used when calculating total current consumption.

**4:** The power-down current in Sleep mode does not depend on the oscillator type. Power-down current is measured with the part in Sleep mode, with all I/O pins in high-impedance state and tied to V<sub>DD</sub>.

# PIC12F635/PIC16F636/639

## 15.2 DC Characteristics: PIC12F635/PIC16F636-I (Industrial) (Continued)

| DC CHARACTERISTICS |     |  | Standard Operating Conditions (unless otherwise stated)<br>Operating temperature $-40^{\circ}\text{C} \leq T_A \leq +85^{\circ}\text{C}$ for industrial |      |     |       |            |  |
|--------------------|-----|--|---|------|-----|-------|------------|--|
| Param No.          | Sym | Device Characteristics                 | Min   | Typ† | Max | Units | Conditions |  |
|                    |     |  |   |      |     |       | VDD        | Note   |
| D020               | IPD | Power-down Base Current <sup>(4)</sup> | —   | 0.15 | 1.2 | μA    | 2.0        | WDT, BOR, Comparators, VREF and T1OSC disabled |
|                    |     |  | —   | 0.20 | 1.5 | μA    | 3.0        |  |
|                    |     |  | —   | 0.35 | 1.8 | μA    | 5.0        |  |
| D021               |     |  | —   | 1.0  | 2.2 | μA    | 2.0        | WDT Current <sup>(1)</sup>                     |
|                    |     |  | —   | 2.0  | 4.0 | μA    | 3.0        |  |
|                    |     |  | —   | 3.0  | 7.0 | μA    | 5.0        |  |
| D022A              |     |  | —   | 58   | 60  | μA    | 3.0        | BOR Current <sup>(1)</sup>                     |
|                    |     |  | —   | 109  | 122 | μA    | 5.0        |  |
| D022B              |     |  | —   | 22   | 28  | μA    | 2.0        | PLVD Current                                   |
|                    |     |  | —   | 25   | 35  | μA    | 3.0        |  |
|                    |     |  | —   | 33   | 45  | μA    | 5.0        |  |
| D023               |     |  | —   | 32   | 45  | μA    | 2.0        | Comparator Current <sup>(3)</sup>              |
|                    |     |  | —   | 60   | 78  | μA    | 3.0        |  |
|                    |     |  | —   | 120  | 160 | μA    | 5.0        |  |
| D024A              |     |  | —   | 30   | 36  | μA    | 2.0        | CVREF Current <sup>(1)</sup><br>(high-range)   |
|                    |     |  | —   | 45   | 55  | μA    | 3.0        |  |
|                    |     |  | —   | 75   | 95  | μA    | 5.0        |  |
| D024B              |     |  | —   | 39   | 47  | μA    | 2.0        | CVREF Current <sup>(1)</sup><br>(low-range)    |
|                    |     |  | —   | 59   | 72  | μA    | 3.0        |  |
|                    |     |  | —   | 98   | 124 | μA    | 5.0        |  |
| D025               |     |  | —   | 4.5  | 7.0 | μA    | 2.0        | T1OSC Current <sup>(3)</sup>                   |
|                    |     |  | —   | 5.0  | 8.0 | μA    | 3.0        |  |
|                    |     |  | —   | 6.0  | 12  | μA    | 5.0        |  |

† Data in "Typ" column is at 5.0V, 25°C unless otherwise stated. These parameters are for design guidance only and are not tested.

- Note 1:** The test conditions for all I<sub>DD</sub> measurements in Active Operation mode are: OSC1 = external square wave, from rail-to-rail; all I/O pins tri-stated, pulled to V<sub>DD</sub>; MCLR = V<sub>DD</sub>; WDT disabled. MCU only, Analog Front-End not included.
- 2:** The supply current is mainly a function of the operating voltage and frequency. Other factors, such as I/O pin loading and switching rate, oscillator type, internal code execution pattern and temperature, also have an impact on the current consumption. MCU only, Analog Front-End not included.
- 3:** The peripheral current is the sum of the base I<sub>DD</sub> or I<sub>PD</sub> and the additional current consumed when this peripheral is enabled. The peripheral Δ current can be determined by subtracting the base I<sub>DD</sub> or I<sub>PD</sub> current from this limit. Max values should be used when calculating total current consumption.
- 4:** The power-down current in Sleep mode does not depend on the oscillator type. Power-down current is measured with the part in Sleep mode, with all I/O pins in high-impedance state and tied to V<sub>DD</sub>.

# PIC12F635/PIC16F636/639

## 15.3 DC Characteristics: PIC12F635/PIC16F636-E (Extended)

| DC CHARACTERISTICS |     |                                 | Standard Operating Conditions (unless otherwise stated)<br>Operating temperature $-40^{\circ}\text{C} \leq T_A \leq +125^{\circ}\text{C}$ for extended |      |      |       |            |   |
|--------------------|-----|---------------------------------|--|------|------|-------|------------|---|
| Param No.          | Sym | Device Characteristics          | Min  | Typ† | Max  | Units | Conditions |   |
|                    |     |                                 |  |      |      |       | VDD        | Note                                    |
| D010E              | IDD | Supply Current <sup>(1,2)</sup> | —  | 11   | 16   | μA    | 2.0        | Fosc = 32.768 kHz<br>LP Oscillator mode |
|                    |     |                                 | —  | 18   | 28   | μA    | 3.0        |   |
|                    |     |                                 | —  | 35   | 54   | μA    | 5.0        |   |
| D011E              |     |                                 | —  | 140  | 240  | μA    | 2.0        | Fosc = 1 MHz<br>XT Oscillator mode      |
|                    |     |                                 | —  | 220  | 380  | μA    | 3.0        |   |
|                    |     |                                 | —  | 380  | 550  | μA    | 5.0        |   |
| D012E              |     |                                 | —  | 260  | 360  | μA    | 2.0        | Fosc = 4 MHz<br>XT Oscillator mode      |
|                    |     |                                 | —  | 420  | 650  | μA    | 3.0        |   |
|                    |     |                                 | —  | 0.8  | 1.1  | mA    | 5.0        |   |
| D013E              |     |                                 | —  | 130  | 220  | μA    | 2.0        | Fosc = 1 MHz<br>EC Oscillator mode      |
|                    |     |                                 | —  | 215  | 360  | μA    | 3.0        |   |
|                    |     |                                 | —  | 360  | 520  | μA    | 5.0        |   |
| D014E              |     |                                 | —  | 220  | 340  | μA    | 2.0        | Fosc = 4 MHz<br>EC Oscillator mode      |
|                    |     |                                 | —  | 375  | 550  | μA    | 3.0        |   |
|                    |     |                                 | —  | 0.65 | 1.0  | mA    | 5.0        |   |
| D015E              |     |                                 | —  | 8    | 20   | μA    | 2.0        | Fosc = 31 kHz<br>LFINTOSC mode          |
|                    |     |                                 | —  | 16   | 40   | μA    | 3.0        |   |
|                    |     |                                 | —  | 31   | 65   | μA    | 5.0        |   |
| D016E              |     |                                 | —  | 340  | 450  | μA    | 2.0        | Fosc = 4 MHz<br>HFINTOSC mode           |
|                    |     |                                 | —  | 500  | 700  | μA    | 3.0        |   |
|                    |     |                                 | —  | 0.8  | 1.2  | mA    | 5.0        |   |
| D017E              |     |                                 | —  | 410  | 650  | μA    | 2.0        | Fosc = 8 MHz<br>HFINTOSC mode           |
|                    |     |                                 | —  | 700  | 950  | μA    | 3.0        |   |
|                    |     |                                 | —  | 1.30 | 1.65 | mA    | 5.0        |   |
| D018E              |     |                                 | —  | 230  | 100  | μA    | 2.0        | Fosc = 4 MHz<br>EXTRC mode              |
|                    |     |                                 | —  | 400  | 680  | μA    | 3.0        |   |
|                    |     |                                 | —  | 0.63 | 1.1  | mA    | 5.0        |   |
| D019E              |     |                                 | —  | 2.6  | 3.25 | mA    | 4.5        | Fosc = 20 MHz<br>HS Oscillator mode     |
|                    |     |                                 | —  | 2.8  | 3.35 | mA    | 5.0        |   |

† Data in "Typ" column is at 5.0V, 25°C unless otherwise stated. These parameters are for design guidance only and are not tested.

- Note 1:** The test conditions for all IDD measurements in Active Operation mode are: OSC1 = external square wave, from rail-to-rail; all I/O pins tri-stated, pulled to VDD; MCLR = VDD; WDT disabled.
- 2:** The supply current is mainly a function of the operating voltage and frequency. Other factors, such as I/O pin loading and switching rate, oscillator type, internal code execution pattern and temperature, also have an impact on the current consumption.
- 3:** The peripheral current is the sum of the base IDD or IPD and the additional current consumed when this peripheral is enabled. The peripheral Δ current can be determined by subtracting the base IDD or IPD current from this limit. Max values should be used when calculating total current consumption.
- 4:** The power-down current in Sleep mode does not depend on the oscillator type. Power-down current is measured with the part in Sleep mode, with all I/O pins in high-impedance state and tied to VDD.

# PIC12F635/PIC16F636/639

## 15.3 DC Characteristics: PIC12F635/PIC16F636-E (Extended) (Continued)

| DC CHARACTERISTICS |     |  | Standard Operating Conditions (unless otherwise stated)<br>Operating temperature $-40^{\circ}\text{C} \leq T_A \leq +125^{\circ}\text{C}$ for extended |      |      |               |            |  |
|--------------------|-----|--|--|------|------|---------------|------------|--|
| Param No.          | Sym | Device Characteristics                 | Min  | Typ† | Max  | Units         | Conditions |  |
|                    |     |  |  |      |      |               | VDD        | Note   |
| D020               | IPD | Power-down Base Current <sup>(4)</sup> | —  | 0.15 | 1.2  | $\mu\text{A}$ | 2.0        | WDT, BOR, Comparators, VREF and T1OSC disabled |
|                    |     |  | —  | 0.20 | 1.5  | $\mu\text{A}$ | 3.0        |  |
|                    |     |  | —  | 0.35 | 1.8  | $\mu\text{A}$ | 5.0        |  |
| D021               |     |  | —  | 1.0  | 17.5 | $\mu\text{A}$ | 2.0        | WDT Current <sup>(1)</sup>                     |
|                    |     |  | —  | 2.0  | 19   | $\mu\text{A}$ | 3.0        |  |
|                    |     |  | —  | 3.0  | 22   | $\mu\text{A}$ | 5.0        |  |
| D022A              |     |  | —  | 42   | 60   | $\mu\text{A}$ | 3.0        | BOR Current <sup>(1)</sup>                     |
|                    |     |  | —  | 85   | 122  | $\mu\text{A}$ | 5.0        |  |
| D022B              |     |  | —  | 22   | 48   | $\mu\text{A}$ | 2.0        | PLVD Current                                   |
|                    |     |  | —  | 25   | 55   | $\mu\text{A}$ | 3.0        |  |
|                    |     |  | —  | 33   | 65   | $\mu\text{A}$ | 5.0        |  |
| D023               |     |  | —  | 32.3 | 45   | $\mu\text{A}$ | 2.0        | Comparator Current <sup>(1)</sup>              |
|                    |     |  | —  | 60   | 78   | $\mu\text{A}$ | 3.0        |  |
|                    |     |  | —  | 120  | 160  | $\mu\text{A}$ | 5.0        |  |
| D024A              |     |  | —  | 30   | 36   | $\mu\text{A}$ | 2.0        | CVREF Current <sup>(1)</sup><br>(high-range)   |
|                    |     |  | —  | 45   | 55   | $\mu\text{A}$ | 3.0        |  |
|                    |     |  | —  | 75   | 95   | $\mu\text{A}$ | 5.0        |  |
| D024B              |     |  | —  | 39   | 47   | $\mu\text{A}$ | 2.0        | CVREF Current <sup>(1)</sup><br>(low-range)    |
|                    |     |  | —  | 59   | 72   | $\mu\text{A}$ | 3.0        |  |
|                    |     |  | —  | 98   | 124  | $\mu\text{A}$ | 5.0        |  |
| D025               |     |  | —  | 4.5  | 25   | $\mu\text{A}$ | 2.0        | T1OSC Current <sup>(3)</sup>                   |
|                    |     |  | —  | 5.0  | 30   | $\mu\text{A}$ | 3.0        |  |
|                    |     |  | —  | 6.0  | 40   | $\mu\text{A}$ | 5.0        |  |

† Data in "Typ" column is at 5.0V, 25°C unless otherwise stated. These parameters are for design guidance only and are not tested.

- Note 1:** The test conditions for all  $I_{DD}$  measurements in Active Operation mode are: OSC1 = external square wave, from rail-to-rail; all I/O pins tri-stated, pulled to VDD; MCLR = VDD; WDT disabled.
- Note 2:** The supply current is mainly a function of the operating voltage and frequency. Other factors, such as I/O pin loading and switching rate, oscillator type, internal code execution pattern and temperature, also have an impact on the current consumption.
- Note 3:** The peripheral current is the sum of the base  $I_{DD}$  or IPD and the additional current consumed when this peripheral is enabled. The peripheral  $\Delta$  current can be determined by subtracting the base  $I_{DD}$  or IPD current from this limit. Max values should be used when calculating total current consumption.
- Note 4:** The power-down current in Sleep mode does not depend on the oscillator type. Power-down current is measured with the part in Sleep mode, with all I/O pins in high-impedance state and tied to VDD.

# PIC12F635/PIC16F636/639

## 15.4 DC Characteristics: PIC12F635/PIC16F636-I (Industrial) PIC12F635/PIC16F636-E (Extended)

| DC CHARACTERISTICS                                      |      |  | Standard Operating Conditions (unless otherwise stated)<br>Operating temperature -40°C ≤ TA ≤ +85°C for industrial<br>-40°C ≤ TA ≤ +125°C for extended |   |   |                                 |  |
|---|------|--|--|---|---|---------------------------------|--|
| Param No.   | Sym  | Characteristic   | Min  | Typ†                                      | Max   | Units                           | Conditions   |
| D030<br>D030A<br>D031<br>D032<br>D033<br>D033A          | VIL  | <b>Input Low Voltage</b><br>I/O ports:<br>with TTL buffer<br><br>with Schmitt Trigger buffer<br>MCLR, OSC1 (RC mode)<br>OSC1 (XT and LP modes) <sup>(1)</sup><br>OSC1 (HS mode) <sup>(1)</sup> | VSS<br>VSS<br>VSS<br>VSS<br>VSS<br>VSS   | —<br>—<br>—<br>—<br>—<br>—                | 0.8<br>0.15 VDD<br>0.2 VDD<br>0.2 VDD<br>0.3<br>0.3 VDD | V<br>V<br>V<br>V<br>V<br>V      | 4.5V ≤ VDD ≤ 5.5V<br>Otherwise<br>Entire range   |
| D040<br>D040A<br>D041<br>D042<br>D043<br>D043A<br>D043B | VIH  | <b>Input High Voltage</b><br>I/O ports:<br>with TTL buffer<br><br>with Schmitt Trigger buffer<br>MCLR<br>OSC1 (XT and LP modes)<br>OSC1 (HS mode)<br>OSC1 (RC mode)                            | 2.0<br>(0.25 VDD + 0.8)<br>0.8 VDD<br>0.8 VDD<br>1.6<br>0.7 VDD<br>0.9 VDD   | —<br>—<br>—<br>—<br>—<br>—<br>—           | VDD<br>VDD<br>VDD<br>VDD<br>VDD<br>VDD<br>VDD           | V<br>V<br>V<br>V<br>V<br>V<br>V | 4.5V ≤ VDD ≤ 5.5V<br>Otherwise<br>Entire range<br><b>(Note 1)</b><br><b>(Note 1)</b>   |
| D060<br>D060A<br>D060B<br>D061<br>D063                  | IIL  | <b>Input Leakage Current<sup>(2)</sup></b><br>I/O ports<br><br>Analog inputs<br>VREF<br>MCLR <sup>(3)</sup><br>OSC1  | —<br>—<br>—<br>—<br>—  | ± 0.1<br>± 0.1<br>± 0.1<br>± 0.1<br>± 0.1 | ± 1<br>± 1<br>± 1<br>± 5<br>± 5                         | μA<br>μA<br>μA<br>μA<br>μA      | VSS ≤ VPIN ≤ VDD,<br>Pin at high-impedance<br>VSS ≤ VPIN ≤ VDD<br>VSS ≤ VPIN ≤ VDD<br>VSS ≤ VPIN ≤ VDD<br>VSS ≤ VPIN ≤ VDD, XT, HS and LP oscillator configuration |
| D070  | IPUR | <b>PORTA Weak Pull-up Current</b>  | 50   | 250                                       | 400   | μA                              | VDD = 5.0V, VPIN = VSS   |
| D071  | IPDR | <b>PORTA Weak Pull-down Current</b>  | 50   | 250                                       | 400   | μA                              | VDD = 5.0V, VPIN = VDD   |
| D080<br>D083  | VOL  | <b>Output Low Voltage</b><br>I/O ports<br>OSC2/CLKOUT (RC mode)  | —<br>—   | —<br>—                                    | 0.6<br>0.6  | V<br>V                          | IO L = 8.5 mA, VDD = 4.5V (Ind.)<br>IO L = 1.6 mA, VDD = 4.5V (Ind.)<br>IO L = 1.2 mA, VDD = 4.5V (Ext.)   |

\* These parameters are characterized but not tested.

† Data in "Typ" column is at 5.0V, 25°C unless otherwise stated. These parameters are for design guidance only and are not tested.

- Note 1:** In RC oscillator configuration, the OSC1/CLKIN pin is a Schmitt Trigger input. It is not recommended to use an external clock in RC mode.
- 2:** Negative current is defined as current sourced by the pin.
- 3:** The leakage current on the MCLR pin is strongly dependent on the applied voltage level. The specified levels represent normal operating conditions. Higher leakage current may be measured at different input voltages.
- 4:** See Section 9.4.1 "Using the Data EEPROM" for additional information.

# PIC12F635/PIC16F636/639

## 15.4 DC Characteristics: PIC12F635/PIC16F636-I (Industrial) PIC12F635/PIC16F636-E (Extended) (Continued)

| DC CHARACTERISTICS |       |  | Standard Operating Conditions (unless otherwise stated)<br>Operating temperature -40°C ≤ TA ≤ +85°C for industrial<br>-40°C ≤ TA ≤ +125°C for extended |      |     |       |  |
|--------------------|-------|--|--|------|-----|-------|--|
| Param No.          | Sym   | Characteristic   | Min  | Typ† | Max | Units | Conditions   |
| D090               | VOH   | <b>Output High Voltage</b><br>I/O ports                          | VDD - 0.7  | —    | —   | V     | IOH = -3.0 mA, VDD = 4.5V (Ind.)                                     |
| D092               |       | OSC2/CLKOUT (RC mode)  | VDD - 0.7  | —    | —   | V     | IOH = -1.3 mA, VDD = 4.5V (Ind.)<br>IOH = -1.0 mA, VDD = 4.5V (Ext.) |
| D100               | IULP  | <b>Ultra Low-power Wake-up Current</b>                           | —  | 200  | —   | nA    |  |
| D101               | COSC2 | <b>Capacitive Loading Specs on Output Pins</b><br>OSC2 pin       | —  | —    | 15* | pF    | In XT, HS and LP modes when external clock is used to drive OSC1     |
| D101A              | CIO   | All I/O pins   | —  | —    | 50* | pF    |  |
| D120               | ED    | <b>Data EEPROM Memory</b><br>Byte Endurance                      | 100K   | 1M   | —   | E/W   | -40°C ≤ TA ≤ +85°C   |
| D120A              | ED    | Byte Endurance   | 10K  | 100K | —   | E/W   | +85°C ≤ TA ≤ +125°C  |
| D121               | VDRW  | VDD for Read/Write   | VMIN   | —    | 5.5 | V     | Using EECON1 to read/write<br>VMIN = Minimum operating voltage       |
| D122               | TDEW  | Erase/Write cycle time   | —  | 5    | 6   | ms    |  |
| D123               | TRETD | Characteristic Retention   | 40   | —    | —   | Year  | Provided no other specifications are violated                        |
| D124               | TREF  | Number of Total Erase/Write Cycles before Refresh <sup>(4)</sup> | 1M   | 10M  | —   | E/W   | -40°C ≤ TA ≤ +85°C   |
| D130               | EP    | <b>Program Flash Memory</b><br>Cell Endurance                    | 10K  | 100K | —   | E/W   | -40°C ≤ TA ≤ +85°C   |
| D130A              | ED    | Cell Endurance   | 1K   | 10K  | —   | E/W   | +85°C ≤ TA ≤ +125°C  |
| D131               | VPR   | VDD for Read   | VMIN   | —    | 5.5 | V     | VMIN = Minimum operating voltage                                     |
| D132               | VPEW  | VDD for Erase/Write  | 4.5  | —    | 5.5 | V     |  |
| D133               | TPEW  | Erase/Write cycle time   | —  | 2    | 2.5 | ms    |  |
| D134               | TRETD | Characteristic Retention   | 40   | —    | —   | Year  | Provided no other specifications are violated                        |

\* These parameters are characterized but not tested.

† Data in "Typ" column is at 5.0V, 25°C unless otherwise stated. These parameters are for design guidance only and are not tested.

- Note 1:** In RC oscillator configuration, the OSC1/CLKIN pin is a Schmitt Trigger input. It is not recommended to use an external clock in RC mode.
- 2:** Negative current is defined as current sourced by the pin.
- 3:** The leakage current on the  $\overline{\text{MCLR}}$  pin is strongly dependent on the applied voltage level. The specified levels represent normal operating conditions. Higher leakage current may be measured at different input voltages.
- 4:** See Section 9.4.1 "Using the Data EEPROM" for additional information.

# PIC12F635/PIC16F636/639

## 15.5 DC Characteristics: PIC16F639-I (Industrial)

| DC CHARACTERISTICS |       |   | Standard Operating Conditions (unless otherwise stated)<br>Operating temperature $-40^{\circ}\text{C} \leq T_A \leq +85^{\circ}\text{C}$ for industrial |        |                    |                                |  |
|--------------------|-------|---|---|--------|--------------------|--------------------------------|--|
| Param No.          | Sym   | Characteristic  | Min   | Typ†   | Max                | Units                          | Conditions   |
| D001               | VDD   | <b>Supply Voltage</b>   | 2.0   | —      | 3.6                | V                              | FOSC $\leq$ 10 MHz   |
| D001A              | VDDT  | <b>Supply Voltage (AFE)</b>   | 2.0   | —      | 3.6                | V                              | Analog Front-End VDD voltage. Treated as VDD in this document. |
| D002               | VDR   | <b>RAM Data Retention Voltage<sup>(1)</sup></b>                         | 1.5*  | —      | —                  | V                              | Device in Sleep mode   |
| D003               | VPOR  | <b>VDD Start Voltage</b> to ensure internal Power-on Reset signal       | —   | VSS    | —                  | V                              | See <b>Section 12.3 “Power-on Reset”</b> for details.          |
| D003A              | VPORT | <b>VDD Start Voltage (AFE)</b> to ensure internal Power-on Reset signal | —   | —      | 1.8                | V                              | Analog Front-End POR voltage.                                  |
| D004               | SVDD  | <b>VDD Rise Rate</b> to ensure internal Power-on Reset signal           | 0.05*   | —      | —                  | V/ms                           | See <b>Section 12.3 “Power-on Reset”</b> for details.          |
| D005               | VBOD  | <b>Brown-out Reset</b>  | 2.0   | 2.1    | 2.2                | V                              |  |
| D006               | RM    | <b>Turn-on Resistance</b> or Modulation Transistor                      | —   | 50     | 100                | Ohm                            | VDD = 3.0V   |
| D007               | RPU   | <b>Digital Input Pull-Up Resistor</b><br>CS, SCLK                       | 50  | 200    | 350                | kOhm                           | VDD = 3.6V   |
| D008               | IAIL  | <b>Analog Input Leakage Current</b><br>LCX, LCY, LCZ<br>LCCOM           | —<br>—  | —<br>— | $\pm 1$<br>$\pm 1$ | $\mu\text{A}$<br>$\mu\text{A}$ | VDD = 3.6V, VSS $\leq$ VIN $\leq$ VDD, tested at Sleep mode    |

\* These parameters are characterized but not tested.

† Data in “Typ” column is at 3.0V, 25°C unless otherwise stated. These parameters are for design guidance only and are not tested.

**Note 1:** This is the limit to which VDD can be lowered in Sleep mode without losing RAM data.

# PIC12F635/PIC16F636/639

## 15.6 DC Characteristics: PIC16F639-I (Industrial)

| DC CHARACTERISTICS |                     |   | Standard Operating Conditions (unless otherwise stated) |      |   |       |                 |  |
|--------------------|---------------------|---|---|------|---|-------|-----------------|--|
|                    |                     |   | Operating temperature                                   |      | -40°C ≤ T <sub>A</sub> ≤ +85°C for industrial |       |                 |  |
|                    |                     |   | Supply Voltage  |      | 2.0V ≤ V <sub>DD</sub> ≤ 3.6V                 |       |                 |  |
| Param No.          | Sym                 | Device Characteristics  | Min   | Typ† | Max   | Units | Conditions      |  |
|                    |                     |   |   |      |   |       | V <sub>DD</sub> | Note   |
| D010               | I <sub>DD</sub>     | Supply Current <sup>(1,2,3)</sup>   | —   | 11   | 16  | μA    | 2.0             | Fosc = 32.768 kHz<br>LP Oscillator mode  |
|                    |                     |   | —   | 18   | 28  | μA    | 3.0             |  |
| D011               |                     |   | —   | 140  | 240   | μA    | 2.0             | Fosc = 1 MHz<br>XT Oscillator mode   |
|                    |                     |   | —   | 220  | 380   | μA    | 3.0             |  |
| D012               |                     |   | —   | 260  | 360   | μA    | 2.0             | Fosc = 4 MHz<br>XT Oscillator mode   |
|                    |                     |   | —   | 420  | 650   | μA    | 3.0             |  |
| D013               |                     |   | —   | 130  | 220   | μA    | 2.0             | Fosc = 1 MHz<br>EC Oscillator mode   |
|                    |                     |   | —   | 215  | 360   | μA    | 3.0             |  |
| D014               |                     |   | —   | 220  | 340   | μA    | 2.0             | Fosc = 4 MHz<br>EC Oscillator mode   |
|                    |                     |   | —   | 375  | 550   | μA    | 3.0             |  |
| D015               |                     |   | —   | 8    | 20  | μA    | 2.0             | Fosc = 31 kHz<br>LFINTOSC mode   |
|                    |                     |   | —   | 16   | 40  | μA    | 3.0             |  |
| D016               |                     |   | —   | 340  | 450   | μA    | 2.0             | Fosc = 4 MHz<br>HFINTOSC mode  |
|                    |                     |   | —   | 500  | 700   | μA    | 3.0             |  |
| D017               |                     |   | —   | 230  | 400   | μA    | 2.0             | Fosc = 4 MHz<br>EXTRC mode   |
|                    |                     |   | —   | 400  | 680   | μA    | 3.0             |  |
| D020               | I <sub>PD</sub>     | Power-down Base Current <sup>(4)</sup>  | —   | 0.15 | 1.2   | μA    | 2.0             | WDT, BOR, Comparators,<br>VREF and T1OSC disabled<br>(excludes AFE)  |
|                    |                     |   | —   | 0.20 | 1.5   | μA    | 3.0             |  |
| D021               | I <sub>WDT</sub>    |   | —   | 1.2  | 2.2   | μA    | 2.0             | WDT Current <sup>(1)</sup>   |
|                    |                     |   | —   | 2.0  | 4.0   | μA    | 3.0             |  |
| D022A              | I <sub>BOR</sub>    |   | —   | 42   | 60  | μA    | 3.0             | BOR Current <sup>(1)</sup>   |
| D022B              | I <sub>LVD</sub>    |   | —   | 22   | 28  | μA    | 2.0             | PLVD Current   |
|                    |                     |   | —   | 25   | 35  | μA    | 3.0             |  |
| D023               | I <sub>COMP</sub>   |   | —   | 32   | 45  | μA    | 2.0             | Comparator Current <sup>(1)</sup>  |
|                    |                     |   | —   | 60   | 78  | μA    | 3.0             |  |
| D024A              | I <sub>VREFHS</sub> |   | —   | 30   | 36  | μA    | 2.0             | CVREF Current <sup>(1)</sup><br>(high-range)   |
|                    |                     |   | —   | 45   | 55  | μA    | 3.0             |  |
| D024B              | I <sub>VREFLS</sub> |   | —   | 39   | 47  | μA    | 2.0             | CVREF Current <sup>(1)</sup><br>(low-range)  |
|                    |                     |   | —   | 59   | 72  | μA    | 3.0             |  |
| D025               | I <sub>T1OSC</sub>  |   | —   | 4.5  | 7.0   | μA    | 2.0             | T1OSC Current <sup>(1)</sup>   |
|                    |                     |   | —   | 5.0  | 8.0   | μA    | 3.0             |  |
| D026               | I <sub>ACT</sub>    | Active Current of AFE only<br>(receiving signal)<br>1 LC Input Channel Signal<br>3 LC Input Channel Signals                                       | —   | 10   | —   | μA    | 3.6             | CS = V <sub>DD</sub> ; Input = Continuous<br>Wave (CW);<br>Amplitude = 300 mV <sub>PP</sub> .<br>All channels enabled. |
|                    |                     |   | —   | 13   | 18  | μA    | 3.6             |  |
| D027               | I <sub>STDBY</sub>  | Standby Current of AFE only<br>(not receiving signal)<br>1 LC Input Channel Enabled<br>2 LC Input Channels Enabled<br>3 LC Input Channels Enabled | —   | 3    | 5   | μA    | 3.6             | CS = V <sub>DD</sub> ; ALERT = V <sub>DD</sub>   |
|                    |                     |   | —   | 4    | 6   | μA    | 3.6             |  |
|                    |                     |   | —   | 5    | 7   | μA    | 3.6             |  |
| D028               | I <sub>SLEEP</sub>  | Sleep Current of AFE only   | —   | 0.2  | 1   | μA    | 3.6             | CS = V <sub>DD</sub> ; ALERT = V <sub>DD</sub>   |

- † Data in "Typ" column is at 3.0V, 25°C unless otherwise stated. These parameters are for design guidance only and are not tested.
- Note**
- The test conditions for all I<sub>DD</sub> measurements in active operation mode are: OSC1 = external square wave, from rail-to-rail; all I/O pins tri-stated, pulled to V<sub>DD</sub>; MCLR = V<sub>DD</sub>; WDT disabled. MCU only, Analog Front-End not included.
  - The supply current is mainly a function of the operating voltage and frequency. Other factors, such as I/O pin loading and switching rate, oscillator type, internal code execution pattern and temperature, also have an impact on the current consumption. MCU only, Analog Front-End not included.
  - The peripheral current is the sum of the base I<sub>DD</sub> or I<sub>PD</sub> and the additional current consumed when this peripheral is enabled. The peripheral Δ current can be determined by subtracting the base I<sub>DD</sub> or I<sub>PD</sub> current from this limit. Max values should be used when calculating total current consumption.
  - The power-down current in Sleep mode does not depend on the oscillator type. Power-down current is measured with the part in Sleep mode, with all I/O pins in high-impedance state and tied to V<sub>DD</sub>.



# PIC12F635/PIC16F636/639

## 15.7 DC Characteristics: PIC16F639-I (Industrial)

| DC CHARACTERISTICS |                  |  | Standard Operating Conditions (unless otherwise stated) |       |   |       |  |
|--------------------|------------------|--|---|-------|---|-------|--|
|                    |                  |  | Operating temperature                                   |       | -40°C ≤ T <sub>A</sub> ≤ +85°C for industrial |       |  |
|                    |                  |  | Supply Voltage  |       | 2.0V ≤ V <sub>DD</sub> ≤ 3.6V                 |       |  |
| Param No.          | Sym              | Characteristic                                     | Min   | Typ†  | Max   | Units | Conditions   |
|                    | V <sub>IL</sub>  | <b>Input Low Voltage</b>                           |   |       |   |       |  |
|                    |                  | I/O ports:   |   |       |   |       |  |
| D030A              |                  | with TTL buffer                                    | V <sub>SS</sub>   | —     | 0.15 V <sub>DD</sub>                          | V     |  |
| D031               |                  | with Schmitt Trigger buffer                        | V <sub>SS</sub>   | —     | 0.2 V <sub>DD</sub>                           | V     |  |
| D032               |                  | MCLR, OSC1 (RC mode)                               | V <sub>SS</sub>   | —     | 0.2 V <sub>DD</sub>                           | V     |  |
| D033               |                  | OSC1 (XT and LP modes) <sup>(1)</sup>              | V <sub>SS</sub>   | —     | 0.3   | V     |  |
| D033A              |                  | OSC1 (HS mode) <sup>(1)</sup>                      | V <sub>SS</sub>   | —     | 0.3 V <sub>DD</sub>                           | V     |  |
| D034               |                  | <b>Digital Input Low Voltage</b>                   | V <sub>SS</sub>   | —     | 0.3 V <sub>DD</sub>                           | V     | Analog Front-End section   |
|                    | V <sub>IH</sub>  | <b>Input High Voltage</b>                          |   |       |   |       |  |
|                    |                  | I/O ports:   |   |       |   |       |  |
| D040               |                  | with TTL buffer                                    |   |       |   |       |  |
| D040A              |                  |  | (0.25 V <sub>DD</sub> + 0.8)                            | —     | V <sub>DD</sub>                               | V     |  |
| D041               |                  | with Schmitt Trigger buffer                        | 0.8 V <sub>DD</sub>                                     | —     | V <sub>DD</sub>                               | V     |  |
| D042               |                  | MCLR   | 0.8 V <sub>DD</sub>                                     | —     | V <sub>DD</sub>                               | V     |  |
| D043               |                  | OSC1 (XT and LP modes)                             | 1.6   | —     | V <sub>DD</sub>                               | V     | (Note 1)   |
| D043A              |                  | OSC1 (HS mode)                                     | 0.7 V <sub>DD</sub>                                     | —     | V <sub>DD</sub>                               | V     | (Note 1)   |
| D043B              |                  | OSC1 (RC mode)                                     | 0.9 V <sub>DD</sub>                                     | —     | V <sub>DD</sub>                               | V     |  |
|                    |                  | <b>Digital Input High Voltage</b>                  |   |       |   |       | Analog Front-End section   |
| D044               |                  | SCLK, CS, SDIO for Analog Front-End (AFE)          | 0.8 V <sub>DD</sub>                                     | —     | V <sub>DD</sub>                               | V     |  |
|                    | I <sub>IL</sub>  | <b>Input Leakage Current<sup>(2)</sup></b>         |   |       |   |       |  |
| D060               |                  | I/O ports  | —   | ± 0.1 | ± 1   | μA    | V <sub>SS</sub> ≤ V <sub>PIN</sub> ≤ V <sub>DD</sub> , Pin at high-impedance                                       |
| D060A              |                  | Analog inputs                                      | —   | ± 0.1 | ± 1   | μA    | V <sub>SS</sub> ≤ V <sub>PIN</sub> ≤ V <sub>DD</sub>   |
| D060B              |                  | V <sub>REF</sub>                                   | —   | ± 0.1 | ± 1   | μA    | V <sub>SS</sub> ≤ V <sub>PIN</sub> ≤ V <sub>DD</sub>   |
| D061               |                  | MCLR <sup>(3)</sup>                                | —   | ± 0.1 | ± 5   | μA    | V <sub>SS</sub> ≤ V <sub>PIN</sub> ≤ V <sub>DD</sub>   |
| D063               |                  | OSC1   | —   | ± 0.1 | ± 5   | μA    | V <sub>SS</sub> ≤ V <sub>PIN</sub> ≤ V <sub>DD</sub> , XT, HS and LP oscillator configuration                      |
|                    |                  | <b>Digital Input Leakage Current<sup>(2)</sup></b> |   |       |   |       | V <sub>DD</sub> = 3.6V, Analog Front-End section   |
| D064               |                  | SDI for Analog Front-End (AFE)                     | —   | —     | ± 1   | μA    | V <sub>SS</sub> ≤ V <sub>PIN</sub> ≤ V <sub>DD</sub>   |
| D064A              |                  | SCLK, CS for Analog Front-End (AFE)                | —   | —     | ± 1   | μA    | V <sub>PIN</sub> ≤ V <sub>DD</sub>   |
| D070               | I <sub>PUR</sub> | <b>PORTA Weak Pull-up Current</b>                  | 50*   | 250   | 400   | μA    | V <sub>DD</sub> = 3.6V, V <sub>PIN</sub> = V <sub>SS</sub>   |
| D071               | I <sub>PDR</sub> | <b>PORTA Weak Pull-down Current</b>                | 50  | 250   | 400   | μA    | V <sub>DD</sub> = 3.6V, V <sub>PIN</sub> = V <sub>DD</sub>   |
|                    | V <sub>OL</sub>  | <b>Output Low Voltage</b>                          |   |       |   |       |  |
|                    |                  | I/O ports  | —   | —     | 0.6   | V     | I <sub>OL</sub> = 8.5 mA, V <sub>DD</sub> = 3.6V (Ind.)  |
| D083               |                  | OSC2/CLKOUT (RC mode)                              | —   | —     | 0.6   | V     | I <sub>OL</sub> = 1.6 mA, V <sub>DD</sub> = 3.6V (Ind.)<br>I <sub>OL</sub> = 1.2 mA, V <sub>DD</sub> = 3.6V (Ext.) |
|                    |                  | <b>Digital Output Low Voltage</b>                  |   |       |   |       | Analog Front-End section   |
| D084               |                  | ALERT, LFDATA/SDIO for Analog Front-End (AFE)      | —   | —     | V <sub>SS</sub> + 0.4                         | V     | I <sub>OL</sub> = 1.0 mA, V <sub>DD</sub> = 2.0V   |

\* These parameters are characterized but not tested.

† Data in "Typ" column is at 3.0V, 25°C unless otherwise stated. These parameters are for design guidance only and are not tested.

**Note 1:** In RC oscillator configuration, the OSC1/CLKIN pin is a Schmitt Trigger input. It is not recommended to use an external clock in RC mode.

**2:** Negative current is defined as current sourced by the pin.

**3:** The leakage current on the MCLR pin is strongly dependent on the applied voltage level. The specified levels represent normal operating conditions. Higher leakage current may be measured at different input voltages.

**4:** See Section 9.4.1 "Using the Data EEPROM" for additional information

# PIC12F635/PIC16F636/639

## 15.7 DC Characteristics: PIC16F639-I (Industrial) (Continued)

| DC CHARACTERISTICS                             |       |  | Standard Operating Conditions (unless otherwise stated) |      |                                   |       |  |
|--|-------|--|---|------|-----------------------------------|-------|--|
|  |       |  | Operating temperature                                   |      | -40°C ≤ TA ≤ +85°C for industrial |       |  |
|  |       |  | Supply Voltage  |      | 2.0V ≤ VDD ≤ 3.6V                 |       |  |
| Param No.                                      | Sym   | Characteristic   | Min   | Typ† | Max                               | Units | Conditions   |
| D090   | VOH   | <b>Output High Voltage</b><br>I/O ports                                      | VDD - 0.7   | —    | —                                 | V     | IOH = -3.0 mA, VDD = 3.6V (Ind.)                                     |
| D092   |       | OSC2/CLKOUT (RC mode)  | VDD - 0.7   | —    | —                                 | V     | IOH = -1.3 mA, VDD = 3.6V (Ind.)<br>IOH = -1.0 mA, VDD = 3.6V (Ext.) |
| D093   |       | <b>Digital Output High Voltage</b><br>LFDATA/SDIO for Analog Front-End (AFE) | VDD - 0.5   | —    | —                                 | V     | Analog Front-End (AFE) section<br>IOH = -400 μA, VDD = 2.0V          |
| <b>Capacitive Loading Specs on Output Pins</b> |       |  |   |      |                                   |       |  |
| D100   | COSC2 | OSC2 pin   | —   | —    | 15*                               | pF    | In XT, HS and LP modes when external clock is used to drive OSC1     |
| D101   | CIO   | All I/O pins   | —   | —    | 50*                               | pF    |  |
| D102   | IULP  | <b>Ultra Low-power Wake-up Current</b>                                       | —   | 200  | —                                 | nA    |  |
| <b>Data EEPROM Memory</b>                      |       |  |   |      |                                   |       |  |
| D120   | ED    | Byte Endurance   | 100K  | 1M   | —                                 | E/W   | -40°C ≤ TA ≤ +85°C   |
| D120A  | ED    | Byte Endurance   | 10K   | 100K | —                                 | E/W   | +85°C ≤ TA ≤ +125°C  |
| D121   | VDRW  | VDD for Read/Write   | VMIN  | —    | 5.5                               | V     | Using EECON1 to read/write<br>VMIN = Minimum operating voltage       |
| D122   | TDEW  | Erase/Write cycle time   | —   | 5    | 6                                 | ms    |  |
| D123   | TRETD | Characteristic Retention   | 40  | —    | —                                 | Year  | Provided no other specifications are violated                        |
| D124   | TREF  | Number of Total Erase/Write Cycles before Refresh <sup>(1)</sup>             | 1M  | 10M  | —                                 | E/W   | -40°C ≤ TA ≤ +85°C   |
| <b>Program Flash Memory</b>                    |       |  |   |      |                                   |       |  |
| D130   | EP    | Cell Endurance   | 10K   | 100K | —                                 | E/W   | -40°C ≤ TA ≤ +85°C   |
| D130A  | ED    | Cell Endurance   | 1K  | 10K  | —                                 | E/W   | +85°C ≤ TA ≤ +125°C  |
| D131   | VPR   | VDD for Read   | VMIN  | —    | 5.5                               | V     | VMIN = Minimum operating voltage                                     |
| D132   | VPEW  | VDD for Erase/Write  | 4.5   | —    | 5.5                               | V     |  |
| D133   | TPEW  | Erase/Write cycle time   | —   | 2    | 2.5                               | ms    |  |
| D134   | TRETD | Characteristic Retention   | 40  | —    | —                                 | Year  | Provided no other specifications are violated                        |

\* These parameters are characterized but not tested.

† Data in "Typ" column is at 3.0V, 25°C unless otherwise stated. These parameters are for design guidance only and are not tested.

- Note** 1: In RC oscillator configuration, the OSC1/CLKIN pin is a Schmitt Trigger input. It is not recommended to use an external clock in RC mode.
- 2: Negative current is defined as current sourced by the pin.
- 3: The leakage current on the MCLR pin is strongly dependent on the applied voltage level. The specified levels represent normal operating conditions. Higher leakage current may be measured at different input voltages.
- 4: See Section 9.4.1 "Using the Data EEPROM" for additional information

# PIC12F635/PIC16F636/639

## 15.8 Thermal Considerations

| Standard Operating Conditions (unless otherwise stated)                        |                              |  |                     |                    |  |                              |
|--|------------------------------|--|---------------------|--------------------|--|------------------------------|
| Operating temperature $-40^{\circ}\text{C} \leq T_A \leq +125^{\circ}\text{C}$ |                              |  |                     |                    |  |                              |
| Param No.  | Sym                          | Characteristic                         | Typ                 | Units              | Conditions   |                              |
| TH01   | $\theta_{JA}$                | Thermal Resistance Junction to Ambient | PIC12F635           | 84.6               | $^{\circ}\text{C}/\text{W}$  | 8-pin PDIP package           |
|  |                              |  |                     | 163.0              | $^{\circ}\text{C}/\text{W}$  | 8-pin SOIC package           |
|  |                              |  |                     | 52.4               | $^{\circ}\text{C}/\text{W}$  | 8-pin DFN 4x4x0.9 mm package |
|  |                              |  |                     | 52.4               | $^{\circ}\text{C}/\text{W}$  | 8-pin DFN-S 6x5 mm package   |
|  |                              |  | PIC16F636           | 69.8               | $^{\circ}\text{C}/\text{W}$  | 14-pin PDIP package          |
|  |                              |  |                     | 85.0               | $^{\circ}\text{C}/\text{W}$  | 14-pin SOIC package          |
|  |                              |  |                     | 100.4              | $^{\circ}\text{C}/\text{W}$  | 14-pin TSSOP package         |
|  |                              |  |                     | 46.3               | $^{\circ}\text{C}/\text{W}$  | 16-pin QFN 4x0.9mm package   |
| PIC16F639  | 108.1                        | $^{\circ}\text{C}/\text{W}$            | 20-pin SSOP package |                    |  |                              |
| TH02   | $\theta_{JC}$                | Thermal Resistance Junction to Case    | PIC12F635           | 41.2               | $^{\circ}\text{C}/\text{W}$  | 8-pin PDIP package           |
|  |                              |  |                     | 38.8               | $^{\circ}\text{C}/\text{W}$  | 8-pin SOIC package           |
|  |                              |  |                     | 3.0                | $^{\circ}\text{C}/\text{W}$  | 8-pin DFN 4x4x0.9 mm package |
|  |                              |  |                     | 3.0                | $^{\circ}\text{C}/\text{W}$  | 8-pin DFN-S 6x5 mm package   |
|  |                              |  | PIC16F636           | 32.5               | $^{\circ}\text{C}/\text{W}$  | 14-pin PDIP package          |
|  |                              |  |                     | 31.0               | $^{\circ}\text{C}/\text{W}$  | 14-pin SOIC package          |
|  |                              |  |                     | 31.7               | $^{\circ}\text{C}/\text{W}$  | 14-pin TSSOP package         |
|  |                              |  |                     | 2.6                | $^{\circ}\text{C}/\text{W}$  | 16-pin QFN 4x0.9mm package   |
| PIC16F639  | 32.2                         | $^{\circ}\text{C}/\text{W}$            | 20-pin SSOP package |                    |  |                              |
| TH03   | $T_J$                        | Junction Temperature                   | 150                 | $^{\circ}\text{C}$ | For derated power calculations   |                              |
| TH04   | PD                           | Power Dissipation                      | —                   | W                  | $\text{PD} = \text{P}_{\text{INTERNAL}} + \text{P}_{\text{I/O}}$   |                              |
| TH05   | $\text{P}_{\text{INTERNAL}}$ | Internal Power Dissipation             | —                   | W                  | $\text{P}_{\text{INTERNAL}} = \text{I}_{\text{DD}} \times \text{V}_{\text{DD}}$<br><b>(NOTE 1)</b>   |                              |
| TH06   | $\text{P}_{\text{I/O}}$      | I/O Power Dissipation                  | —                   | W                  | $\text{P}_{\text{I/O}} = \sum (\text{I}_{\text{OL}} \times \text{V}_{\text{OL}}) + \sum (\text{I}_{\text{OH}} \times (\text{V}_{\text{DD}} - \text{V}_{\text{OH}}))$ |                              |
| TH07   | $\text{P}_{\text{DER}}$      | Derated Power                          | —                   | W                  | $\text{P}_{\text{DER}} = (T_J - T_A) / \theta_{JA}$<br><b>(NOTE 2, 3)</b>  |                              |

**Note 1:**  $\text{I}_{\text{DD}}$  is current to run the chip alone without driving any load on the output pins.

**2:**  $T_A$  = Ambient Temperature.

**3:** Maximum allowable power dissipation is the lower value of either the absolute maximum total power dissipation or derated power ( $\text{P}_{\text{DER}}$ ).

# PIC12F635/PIC16F636/639

## 15.9 Timing Parameter Symbology

The timing parameter symbols have been created with one of the following formats:

1. TppS2ppS
2. TppS

|          |           |   |      |
|----------|-----------|---|------|
| <b>T</b> |           |   |      |
| F        | Frequency | T | Time |

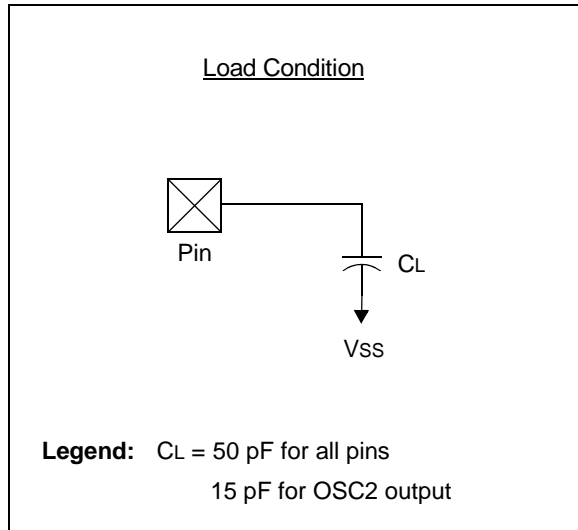
Lowercase letters (pp) and their meanings:

|           |                   |     |                                    |
|-----------|-------------------|-----|------------------------------------|
| <b>pp</b> |                   |     |                                    |
| cc        | CCP1              | osc | OSC1                               |
| ck        | CLKOUT            | rd  | $\overline{RD}$                    |
| cs        | $\overline{CS}$   | rw  | $\overline{RD}$ or $\overline{WR}$ |
| di        | SDI               | sc  | SCLK                               |
| do        | SDO               | ss  | $\overline{SS}$                    |
| dt        | Data in           | t0  | T0CKI                              |
| io        | I/O port          | t1  | T1CKI                              |
| mc        | $\overline{MCLR}$ | wr  | $\overline{WR}$                    |

Uppercase letters and their meanings:

|          |                          |   |                |
|----------|--------------------------|---|----------------|
| <b>S</b> |                          |   |                |
| F        | Fall                     | P | Period         |
| H        | High                     | R | Rise           |
| I        | Invalid (High-impedance) | V | Valid          |
| L        | Low                      | Z | High-impedance |

**FIGURE 15-4: LOAD CONDITIONS**



# PIC12F635/PIC16F636/639

## 15.10 AC Characteristics: PIC12F635/PIC16F636/639 (Industrial, Extended)

FIGURE 15-5: CLOCK TIMING

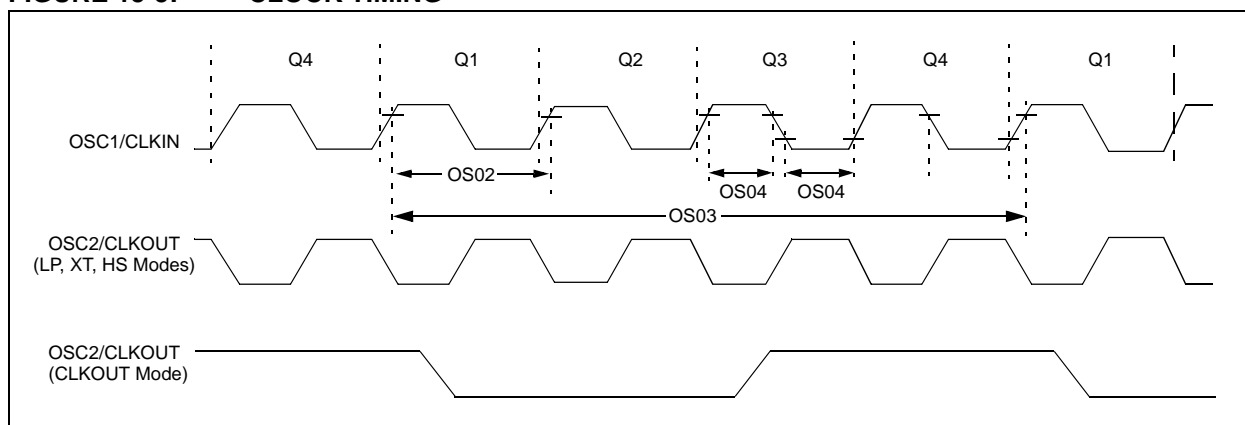


TABLE 15-1: CLOCK OSCILLATOR TIMING REQUIREMENTS

| Standard Operating Conditions (unless otherwise stated) |       |  |     |        |        |       |                    |
|---|-------|--|-----|--------|--------|-------|--------------------|
|   |       | Operating temperature $-40^{\circ}\text{C} \leq T_A \leq +125^{\circ}\text{C}$ |     |        |        |       |                    |
| Param No.   | Sym   | Characteristic   | Min | Typ†   | Max    | Units | Conditions         |
| OS01  | Fosc  | External CLKIN Frequency <sup>(1)</sup>  | DC  | —      | 37     | kHz   | LP Oscillator mode |
|   |       |  | DC  | —      | 4      | MHz   | XT Oscillator mode |
|   |       |  | DC  | —      | 20     | MHz   | HS Oscillator mode |
|   |       |  | DC  | —      | 20     | MHz   | EC Oscillator mode |
|   |       | Oscillator Frequency <sup>(1)</sup>  | —   | 32.768 | —      | kHz   | LP Oscillator mode |
|   |       |  | 0.1 | —      | 4      | MHz   | XT Oscillator mode |
|   |       |  | 1   | —      | 20     | MHz   | HS Oscillator mode |
|   |       |  | DC  | —      | 4      | MHz   | RC Oscillator mode |
| OS02  | Tosc  | External CLKIN Period <sup>(1)</sup>   | 27  | —      | ∞      | μs    | LP Oscillator mode |
|   |       |  | 250 | —      | ∞      | ns    | XT Oscillator mode |
|   |       |  | 50  | —      | ∞      | ns    | HS Oscillator mode |
|   |       |  | 50  | —      | ∞      | ns    | EC Oscillator mode |
|   |       | Oscillator Period <sup>(1)</sup>   | —   | 30.5   | —      | μs    | LP Oscillator mode |
|   |       |  | 250 | —      | 10,000 | ns    | XT Oscillator mode |
|   |       |  | 50  | —      | 1,000  | ns    | HS Oscillator mode |
|   |       |  | 250 | —      | —      | ns    | RC Oscillator mode |
| OS03  | Tcy   | Instruction Cycle Time <sup>(1)</sup>  | 200 | Tcy    | DC     | ns    | Tcy = 4/FOSC       |
| OS04*   | TosH, | External CLKIN High,   | 2   | —      | —      | μs    | LP oscillator      |
|   | TosL  | External CLKIN Low   | 100 | —      | —      | ns    | XT oscillator      |
|   |       |  | 20  | —      | —      | ns    | HS oscillator      |
| OS05*   | TosR, | External CLKIN Rise,   | 0   | —      | 50     | ns    | LP oscillator      |
|   | TosF  | External CLKIN Fall  | 0   | —      | 25     | ns    | XT oscillator      |
|   |       |  | 0   | —      | 15     | ns    | HS oscillator      |

\* These parameters are characterized but not tested.

† Data in "Typ" column is at 5V, 25°C unless otherwise stated. These parameters are for design guidance only and are not tested.

**Note 1:** Instruction cycle period (Tcy) equals four times the input oscillator time base period. All specified values are based on characterization data for that particular oscillator type under standard operating conditions with the device executing code. Exceeding these specified limits may result in an unstable oscillator operation and/or higher than expected current consumption. All devices are tested to operate at "min" values with an external clock applied to OSC1 pin. When an external clock input is used, the "max" cycle time limit is "DC" (no clock) for all devices.

# PIC12F635/PIC16F636/639

**TABLE 15-2: OSCILLATOR PARAMETERS**

| Standard Operating Conditions (unless otherwise stated)                        |         |  |                |      |      |      |               |  |
|--|---------|--|----------------|------|------|------|---------------|--|
| Operating Temperature $-40^{\circ}\text{C} \leq T_A \leq +125^{\circ}\text{C}$ |         |  |                |      |      |      |               |  |
| Param No.  | Sym     | Characteristic   | Freq Tolerance | Min  | Typ† | Max  | Units         | Conditions   |
| OS06   | TWARM   | Internal Oscillator Switch when running <sup>(3)</sup> | —              | —    | —    | 2    | Tosc          | Slowest clock  |
| OS07   | Tsc     | Fail-Safe Sample Clock Period <sup>(1)</sup>           | —              | —    | 21   | —    | ms            | LFINTOSC/64  |
| OS08   | HFosc   | Internal Calibrated HFINTOSC Frequency <sup>(2)</sup>  | $\pm 1\%$      | 7.92 | 8.0  | 8.08 | MHz           | $V_{DD} = 3.5\text{V}$ , $25^{\circ}\text{C}$  |
|  |         |  | $\pm 2\%$      | 7.84 | 8.0  | 8.16 | MHz           | $2.5\text{V} \leq V_{DD} \leq 5.5\text{V}$ , $0^{\circ}\text{C} \leq T_A \leq +85^{\circ}\text{C}$   |
|  |         |  | $\pm 5\%$      | 7.60 | 8.0  | 8.40 | MHz           | $2.0\text{V} \leq V_{DD} \leq 5.5\text{V}$ , $-40^{\circ}\text{C} \leq T_A \leq +85^{\circ}\text{C}$ (Ind.), $-40^{\circ}\text{C} \leq T_A \leq +125^{\circ}\text{C}$ (Ext.) |
| OS09*  | LFosc   | Internal Uncalibrated LFINTOSC Frequency               | —              | 15   | 31   | 45   | kHz           |  |
| OS10*  | TIOscST | HFINTOSC Oscillator Wake-up from Sleep Start-up Time   | —              | 5.5  | 12   | 24   | $\mu\text{s}$ | $V_{DD} = 2.0\text{V}$ , $-40^{\circ}\text{C}$ to $+85^{\circ}\text{C}$  |
|  |         |  | —              | 3.5  | 7    | 14   | $\mu\text{s}$ | $V_{DD} = 3.0\text{V}$ , $-40^{\circ}\text{C}$ to $+85^{\circ}\text{C}$  |
|  |         |  | —              | 3    | 6    | 11   | $\mu\text{s}$ | $V_{DD} = 5.0\text{V}$ , $-40^{\circ}\text{C}$ to $+85^{\circ}\text{C}$  |

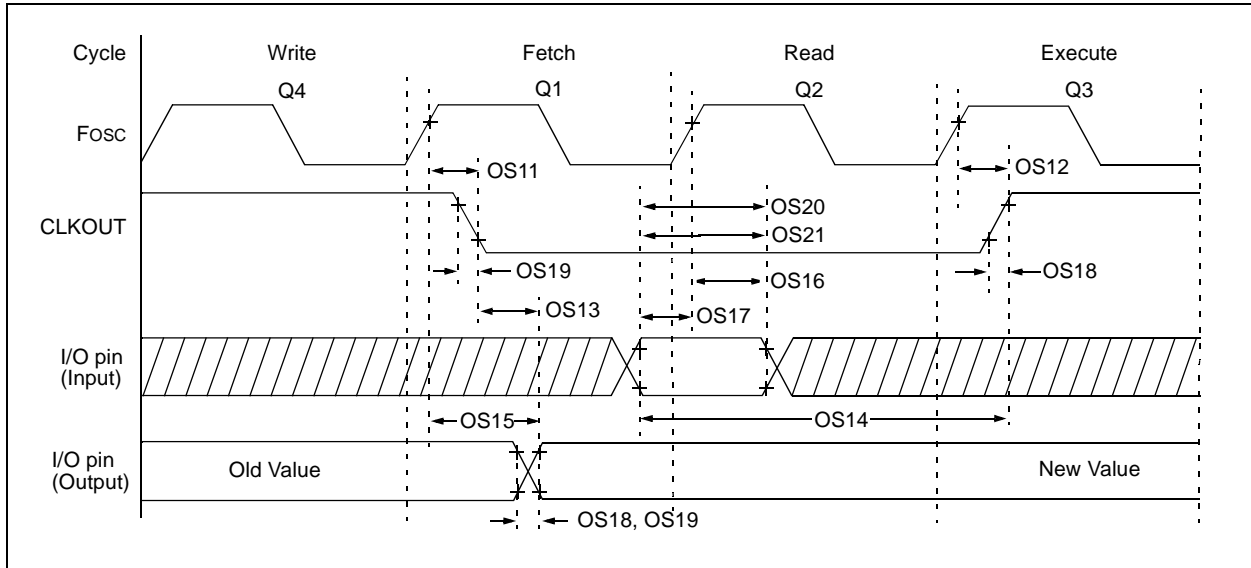
\* These parameters are characterized but not tested.

† Data in "Typ" column is at 5.0V, 25°C unless otherwise stated. These parameters are for design guidance only and are not tested.

- Note 1:** Instruction cycle period (TCY) equals four times the input oscillator time base period. All specified values are based on characterization data for that particular oscillator type under standard operating conditions with the device executing code. Exceeding these specified limits may result in an unstable oscillator operation and/or higher than expected current consumption. All devices are tested to operate at "min" values with an external clock applied to the OSC1 pin. When an external clock input is used, the "max" cycle time limit is "DC" (no clock) for all devices.
- 2:** To ensure these oscillator frequency tolerances, VDD and VSS must be capacitively decoupled as close to the device as possible. 0.1  $\mu\text{F}$  and 0.01  $\mu\text{F}$  values in parallel are recommended.
- 3:** By design.

# PIC12F635/PIC16F636/639

**FIGURE 15-6: CLKOUT AND I/O TIMING**



**TABLE 15-3: CLKOUT AND I/O TIMING PARAMETERS**

| Standard Operating Conditions (unless otherwise stated)                        |          |   |               |          |          |       |                          |
|--|----------|---|---------------|----------|----------|-------|--------------------------|
| Operating Temperature $-40^{\circ}\text{C} \leq T_A \leq +125^{\circ}\text{C}$ |          |   |               |          |          |       |                          |
| Param No.  | Sym      | Characteristic  | Min           | Typ†     | Max      | Units | Conditions               |
| OS11   | TosH2ckL | Fosc $\uparrow$ to CLKOUT $\downarrow$ <sup>(1)</sup>               | —             | —        | 70       | ns    | VDD = 5.0V               |
| OS12   | TosH2ckH | Fosc $\uparrow$ to CLKOUT $\uparrow$ <sup>(1)</sup>                 | —             | —        | 72       | ns    | VDD = 5.0V               |
| OS13   | TckL2ioV | CLKOUT $\downarrow$ to Port out valid <sup>(1)</sup>                | —             | —        | 20       | ns    |                          |
| OS14   | TioV2ckH | Port input valid before CLKOUT $\uparrow$ <sup>(1)</sup>            | Tosc + 200 ns | —        | —        | ns    |                          |
| OS15*  | TosH2ioV | Fosc $\uparrow$ (Q1 cycle) to Port out valid                        | —             | 50       | 70       | ns    | VDD = 5.0V               |
| OS16   | TosH2ioI | Fosc $\uparrow$ (Q2 cycle) to Port input invalid (I/O in hold time) | 50            | —        | —        | ns    | VDD = 5.0V               |
| OS17   | TioV2osH | Port input valid to Fosc $\uparrow$ (Q2 cycle) (I/O in setup time)  | 20            | —        | —        | ns    |                          |
| OS18   | TioR     | Port output rise time <sup>(2)</sup>                                | —             | 40<br>15 | 72<br>32 | ns    | VDD = 2.0V<br>VDD = 5.0V |
| OS19   | TioF     | Port output fall time <sup>(2)</sup>                                | —             | 28<br>15 | 55<br>30 | ns    | VDD = 2.0V<br>VDD = 5.0V |
| OS20*  | TINP     | INT pin input high or low time                                      | 25            | —        | —        | ns    |                          |
| OS21*  | TRAP     | PORTA interrupt-on-change new input level time                      | Tcy           | —        | —        | ns    |                          |

\* These parameters are characterized but not tested.

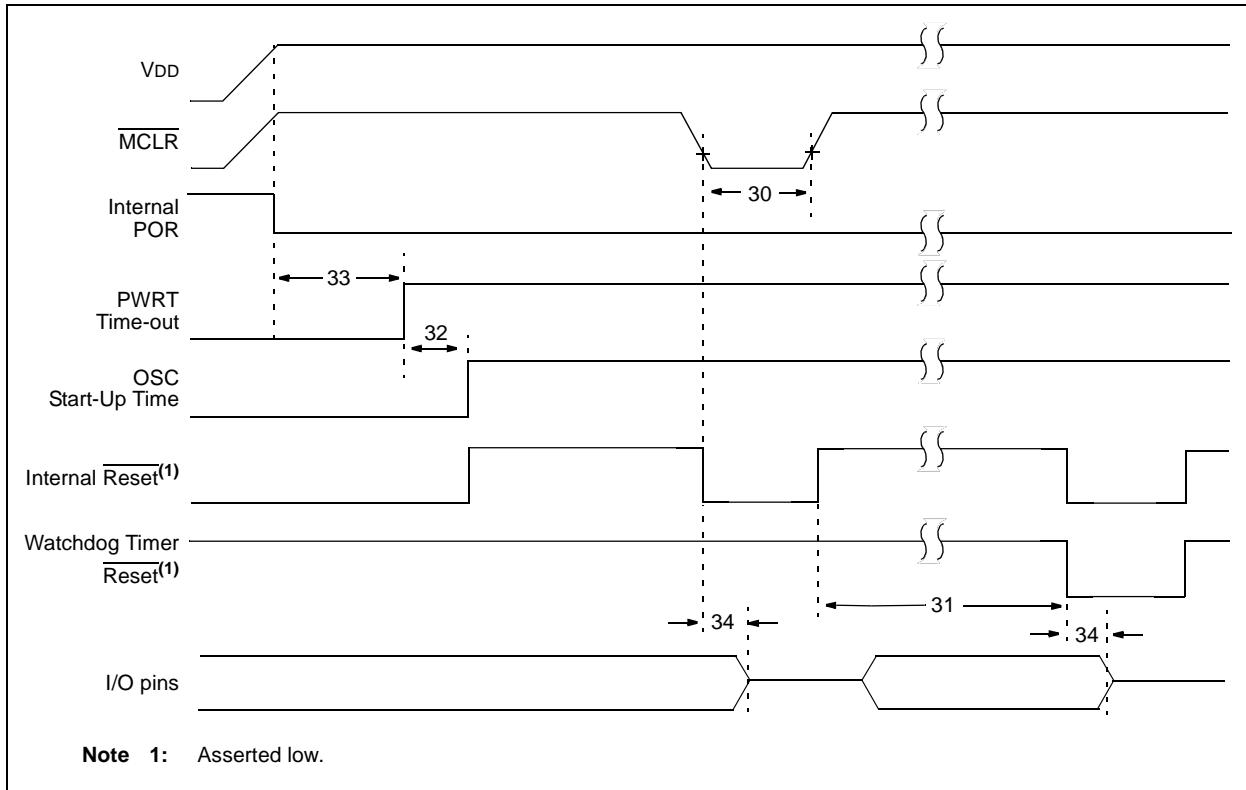
† Data in "Typ" column is at 5.0V, 25°C unless otherwise stated.

**Note 1:** Measurements are taken in RC mode where CLKOUT output is 4 x TOSC.

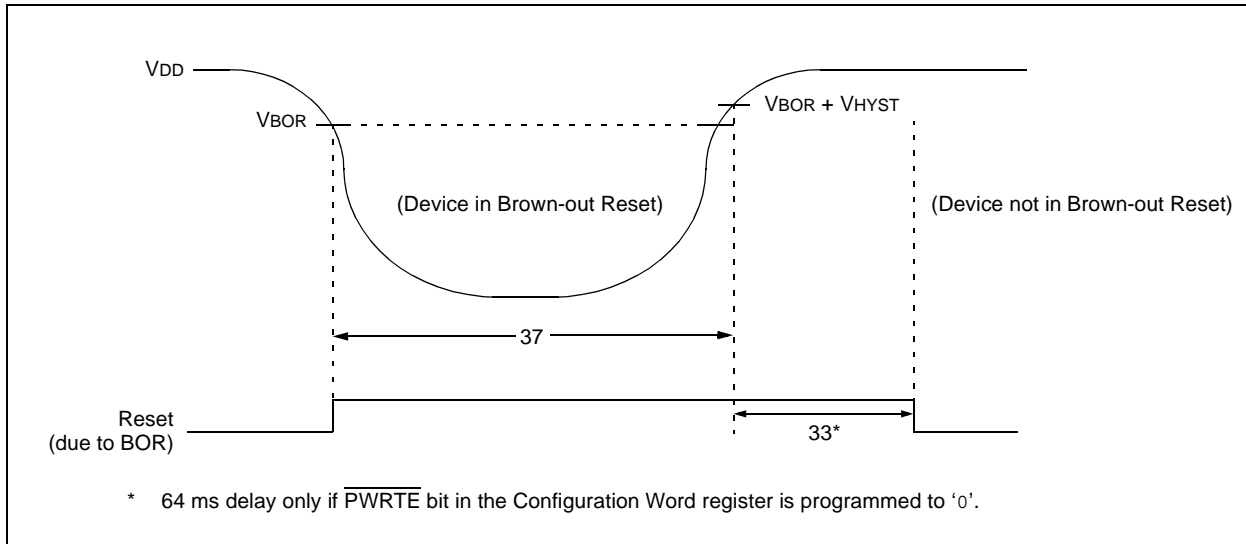
**2:** Includes OSC2 in CLKOUT mode.

# PIC12F635/PIC16F636/639

**FIGURE 15-7: RESET, WATCHDOG TIMER, OSCILLATOR START-UP TIMER AND POWER-UP TIMER TIMING**



**FIGURE 15-8: BROWN-OUT RESET TIMING AND CHARACTERISTICS**





# PIC12F635/PIC16F636/639

**TABLE 15-4: RESET, WATCHDOG TIMER, OSCILLATOR START-UP TIMER, POWER-UP TIMER AND BROWN-OUT RESET PARAMETERS**

| Standard Operating Conditions (unless otherwise stated)                        |       |  |          |          |          |                                |   |
|--|-------|--|----------|----------|----------|--------------------------------|---|
| Operating Temperature $-40^{\circ}\text{C} \leq T_A \leq +125^{\circ}\text{C}$ |       |  |          |          |          |                                |   |
| Param No.  | Sym   | Characteristic   | Min      | Typ†     | Max      | Units                          | Conditions  |
| 30   | TMCL  | MCLR Pulse Width (low)                                   | 2<br>5   | —<br>—   | —<br>—   | $\mu\text{s}$<br>$\mu\text{s}$ | $V_{DD} = 5\text{V}$ , $-40^{\circ}\text{C}$ to $+85^{\circ}\text{C}$<br>$V_{DD} = 5\text{V}$ |
| 31   | TWDT  | Watchdog Timer Time-out Period (No Prescaler)            | 10<br>10 | 16<br>16 | 29<br>31 | ms<br>ms                       | $V_{DD} = 5\text{V}$ , $-40^{\circ}\text{C}$ to $+85^{\circ}\text{C}$<br>$V_{DD} = 5\text{V}$ |
| 32   | TOST  | Oscillation Start-up Timer Period <sup>(1, 2)</sup>      | —        | 1024     | —        | T <sub>OSC</sub>               | <b>(NOTE 3)</b>   |
| 33*  | TPWRT | Power-up Timer Period                                    | 40       | 65       | 140      | ms                             |   |
| 34*  | TIOZ  | I/O High-impedance from MCLR Low or Watchdog Timer Reset | —        | —        | 2.0      | $\mu\text{s}$                  |   |
| 35   | VBOR  | Brown-out Reset Voltage                                  | 2.0      | —        | 2.2      | V                              | <b>(NOTE 4)</b>   |
| 36*  | VHYST | Brown-out Reset Hysteresis                               | —        | 50       | —        | mV                             |   |
| 37*  | TBOR  | Brown-out Reset Minimum Detection Period                 | 100      | —        | —        | $\mu\text{s}$                  | $V_{DD} \leq V_{BOR}$   |

\* These parameters are characterized but not tested.

† Data in "Typ" column is at 5V, 25°C unless otherwise stated. These parameters are for design guidance only and are not tested.

**Note 1:** Instruction cycle period (T<sub>cy</sub>) equals four times the input oscillator time base period. All specified values are based on characterization data for that particular oscillator type under standard operating conditions with the device executing code. Exceeding these specified limits may result in an unstable oscillator operation and/or higher than expected current consumption. All devices are tested to operate at "min" values with an external clock applied to the OSC1 pin. When an external clock input is used, the "max" cycle time limit is "DC" (no clock) for all devices.

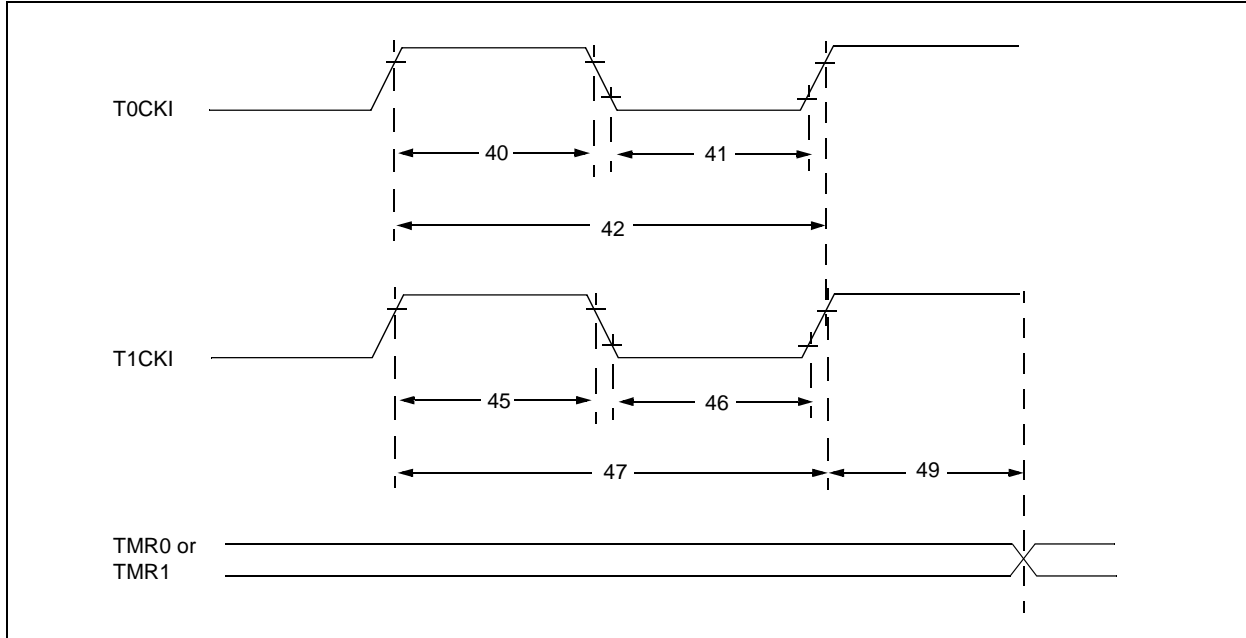
2: By design.

3: Period of the slower clock.

4: To ensure these voltage tolerances, V<sub>DD</sub> and V<sub>SS</sub> must be capacitively decoupled as close to the device as possible. 0.1  $\mu\text{F}$  and 0.01  $\mu\text{F}$  values in parallel are recommended.

# PIC12F635/PIC16F636/639

**FIGURE 15-9: TIMER0 AND TIMER1 EXTERNAL CLOCK TIMINGS**



**TABLE 15-5: TIMER0 AND TIMER1 EXTERNAL CLOCK REQUIREMENTS**

| Standard Operating Conditions (unless otherwise stated)                        |           |   |                             |  |        |             |       |                                     |
|--|-----------|---|-----------------------------|--|--------|-------------|-------|-------------------------------------|
| Operating Temperature $-40^{\circ}\text{C} \leq T_A \leq +125^{\circ}\text{C}$ |           |   |                             |  |        |             |       |                                     |
| Param No.  | Sym       | Characteristic  |                             | Min  | Typ†   | Max         | Units | Conditions                          |
| 40*  | Tt0H      | T0CKI High Pulse Width  | No Prescaler                | $0.5 T_{CY} + 20$                              | —      | —           | ns    |                                     |
|  |           |   | With Prescaler              | 10   | —      | —           | ns    |                                     |
| 41*  | Tt0L      | T0CKI Low Pulse Width   | No Prescaler                | $0.5 T_{CY} + 20$                              | —      | —           | ns    |                                     |
|  |           |   | With Prescaler              | 10   | —      | —           | ns    |                                     |
| 42*  | Tt0P      | T0CKI Period  |                             | Greater of:<br>$20$ or $\frac{T_{CY} + 40}{N}$ | —      | —           | ns    | N = prescale value (2, 4, ..., 256) |
| 45*  | Tt1H      | T1CKI High Time   | Synchronous, No Prescaler   | $0.5 T_{CY} + 20$                              | —      | —           | ns    |                                     |
|  |           |   | Synchronous, with Prescaler | 15   | —      | —           | ns    |                                     |
|  |           |   | Asynchronous                | 30   | —      | —           | ns    |                                     |
| 46*  | Tt1L      | T1CKI Low Time  | Synchronous, No Prescaler   | $0.5 T_{CY} + 20$                              | —      | —           | ns    |                                     |
|  |           |   | Synchronous, with Prescaler | 15   | —      | —           | ns    |                                     |
|  |           |   | Asynchronous                | 30   | —      | —           | ns    |                                     |
| 47*  | Tt1P      | T1CKI Input Period  | Synchronous                 | Greater of:<br>$30$ or $\frac{T_{CY} + 40}{N}$ | —      | —           | ns    | N = prescale value (1, 2, 4, 8)     |
|  |           |   | Asynchronous                | 60   | —      | —           | ns    |                                     |
| 48   | Ft1       | Timer1 Oscillator Input Frequency Range (oscillator enabled by setting bit T1OSCEN) |                             | —  | 32.768 | —           | kHz   |                                     |
| 49*  | TCKEZTMR1 | Delay from External Clock Edge to Timer Increment                                   |                             | $2 T_{osc}$                                    | —      | $7 T_{osc}$ | —     | Timers in Sync mode                 |

\* These parameters are characterized but not tested.

† Data in "Typ" column is at 5V, 25°C unless otherwise stated. These parameters are for design guidance only and are not tested.

# PIC12F635/PIC16F636/639

**TABLE 15-6: COMPARATOR SPECIFICATIONS**

| Standard Operating Conditions (unless otherwise stated)                        |         |  |         |     |           |                |               |                    |
|--|---------|--|---------|-----|-----------|----------------|---------------|--------------------|
| Operating Temperature $-40^{\circ}\text{C} \leq T_A \leq +125^{\circ}\text{C}$ |         |  |         |     |           |                |               |                    |
| Param No.  | Sym     | Characteristics                        |         | Min | Typ†      | Max            | Units         | Comments           |
| CM01   | VOS     | Input Offset Voltage                   |         | —   | $\pm 5.0$ | $\pm 10$       | mV            | $(V_{DD} - 1.5)/2$ |
| CM02   | VCM     | Input Common Mode Voltage              |         | 0   | —         | $V_{DD} - 1.5$ | V             |                    |
| CM03*  | CMRR    | Common Mode Rejection Ratio            |         | +55 | —         | —              | dB            |                    |
| CM04*  | TRT     | Response Time                          | Falling | —   | 150       | 600            | ns            | <b>(NOTE 1)</b>    |
|  |         |  | Rising  | —   | 200       | 1000           | ns            |                    |
| CM05*  | TMC2COV | Comparator Mode Change to Output Valid |         | —   | —         | 10             | $\mu\text{s}$ |                    |

\* These parameters are characterized but not tested.

† Data in "Typ" column is at 5V, 25°C unless otherwise stated. These parameters are for design guidance only and are not tested.

**Note 1:** Response time is measured with one comparator input at  $(V_{DD} - 1.5)/2 - 100\text{ mV}$  to  $(V_{DD} - 1.5)/2 + 20\text{ mV}$ .

**TABLE 15-7: COMPARATOR VOLTAGE REFERENCE (CVREF) SPECIFICATIONS**

| Standard Operating Conditions (unless otherwise stated)                        |      |                              |     |             |           |               |                      |
|--|------|------------------------------|-----|-------------|-----------|---------------|----------------------|
| Operating temperature $-40^{\circ}\text{C} \leq T_A \leq +125^{\circ}\text{C}$ |      |                              |     |             |           |               |                      |
| Param No.  | Sym  | Characteristics              | Min | Typ†        | Max       | Units         | Comments             |
| CV01*  | CLSB | Step Size <sup>(2)</sup>     | —   | $V_{DD}/24$ | —         | V             | Low Range (VRR = 1)  |
|  |      |                              | —   | $V_{DD}/32$ | —         | V             | High Range (VRR = 0) |
| CV02*  | CACC | Absolute Accuracy            | —   | —           | $\pm 1/2$ | LSb           | Low Range (VRR = 1)  |
|  |      |                              | —   | —           | $\pm 1/2$ | LSb           | High Range (VRR = 0) |
| CV03*  | CR   | Unit Resistor Value (R)      | —   | 2k          | —         | $\Omega$      |                      |
| CV04*  | CST  | Settling Time <sup>(1)</sup> | —   | —           | 10        | $\mu\text{s}$ |                      |

\* These parameters are characterized but not tested.

† Data in "Typ" column is at 5V, 25°C unless otherwise stated. These parameters are for design guidance only and are not tested.

**Note 1:** Settling time measured while VRR = 1 and VR<3:0> transitions from '0000' to '1111'.

**2:** See Section 7.11 "Comparator Voltage Reference" for more information.

**TABLE 15-8: PIC12F635/PIC16F636 PLVD CHARACTERISTICS:**

| DC CHARACTERISTICS |                    |                 | Standard Operating Conditions (unless otherwise stated)                        |          |       |               |  |
|--------------------|--------------------|-----------------|--|----------|-------|---------------|--|
|                    |                    |                 | Operating Temperature $-40^{\circ}\text{C} \leq T_A \leq +125^{\circ}\text{C}$ |          |       |               |  |
|                    |                    |                 | Operating Voltage $V_{DD}$ Range 2.0V-5.5V                                     |          |       |               |  |
| Sym.               | Characteristic     |                 | Min  | Typ†     | Max   | Units         | Conditions                                       |
| VPLVD              | PLVD Voltage       | LVDL<2:0> = 001 | 1.900  | 2.0      | 2.125 | V             |  |
|                    |                    | LVDL<2:0> = 010 | 2.000  | 2.1      | 2.225 | V             |  |
|                    |                    | LVDL<2:0> = 011 | 2.100  | 2.2      | 2.325 | V             |  |
|                    |                    | LVDL<2:0> = 100 | 2.200  | 2.3      | 2.425 | V             |  |
|                    |                    | LVDL<2:0> = 101 | 3.825  | 4.0      | 4.200 | V             |  |
|                    |                    | LVDL<2:0> = 110 | 4.025  | 4.2      | 4.400 | V             |  |
|                    |                    | LVDL<2:0> = 111 | 4.325  | 4.5      | 4.700 | V             |  |
| *TPLVDS            | PLVD Settling time |                 | —  | 50<br>25 | —     | $\mu\text{s}$ | $V_{DD} = 5.0\text{V}$<br>$V_{DD} = 3.0\text{V}$ |

\* These parameters are characterized but not tested

† Data in 'Typ' column is at 5.0V, 25°C unless otherwise stated. These parameters are for design guidance only and are not tested.

# PIC12F635/PIC16F636/639

**TABLE 15-9: PIC16F639 PLVD CHARACTERISTICS:**

| DC CHARACTERISTICS |                    | Standard Operating Conditions (unless otherwise stated) |          |                    |       |                          |  |
|--------------------|--------------------|---|----------|--------------------|-------|--------------------------|--|
|                    |                    | Operating Temperature                                   |          | -40°C ≤ TA ≤ +85°C |       |                          |  |
|                    |                    | Operating Voltage                                       |          |                    |       |                          |  |
|                    |                    | VDD Range 2.0V-5.5V                                     |          |                    |       |                          |  |
| Sym.               | Characteristic     | Min   | Typ†     | Max                | Units | Conditions               |  |
| VPLVD              | PLVD Voltage       | LVDL<2:0> = 001   | 1.900    | 2.0                | 2.100 | V                        |  |
|                    |                    | LVDL<2:0> = 010   | 2.000    | 2.1                | 2.200 | V                        |  |
|                    |                    | LVDL<2:0> = 011   | 2.100    | 2.2                | 2.300 | V                        |  |
|                    |                    | LVDL<2:0> = 100   | 2.200    | 2.3                | 2.400 | V                        |  |
|                    |                    | LVDL<2:0> = 101   | 3.825    | 4.0                | 4.175 | V                        |  |
|                    |                    | LVDL<2:0> = 110   | 4.025    | 4.2                | 4.375 | V                        |  |
|                    |                    | LVDL<2:0> = 111   | 4.325    | 4.5                | 4.675 | V                        |  |
| *TPLVDS            | PLVD Settling time | —   | 50<br>25 | —                  | μs    | VDD = 5.0V<br>VDD = 3.0V |  |

\* These parameters are characterized but not tested

† Data in "Typ" column is at 5.0V, 25°C unless otherwise stated. These parameters are for design guidance only and are not tested.

# PIC12F635/PIC16F636/639

## 15.11 AC Characteristics: Analog Front-End for PIC16F639 (Industrial)

| AC CHARACTERISTICS |          |  | Standard Operating Conditions (unless otherwise stated)   |                      |                      |                  |   |
|--------------------|----------|--|---|----------------------|----------------------|------------------|---|
|                    |          |  | Supply Voltage 2.0V ≤ VDD ≤ 3.6V                          |                      |                      |                  |   |
|                    |          |  | Operating temperature -40°C ≤ TAMB ≤ +85°C for industrial |                      |                      |                  |   |
|                    |          |  | LC Signal Input Sinusoidal 300 mVPP                       |                      |                      |                  |   |
|                    |          |  | Carrier Frequency 125 kHz                                 |                      |                      |                  |   |
|                    |          |  | LCCOM connected to VSS                                    |                      |                      |                  |   |
| Param No.          | Sym.     | Characteristic   | Min   | Typ†                 | Max                  | Units            | Conditions  |
| AF01               | VSENSE   | LC Input Sensitivity   | 1   | 3.0                  | 6                    | mVPP             | VDD = 3.0V<br>Output enable filter disabled<br>AGCSIG = 0; MODMIN = 00<br>(33% modulation depth setting)<br>Input = Continuous Wave (CW)<br>Output = Logic level transition from low-to-high at sensitivity level for CW input.       |
| AF02               | VDE_Q    | Coil de-Q'ing Voltage - RF Limiter (RFLM) must be active                     | 3   | —                    | 5                    | V                | VDD = 3.0V, Force IIN = 5 μA  |
| AF03               | RFLM     | RF Limiter Turn-on Resistance (LCX, LCY, LCZ)                                | —   | 300                  | 700                  | Ohm              | VDD = 2.0V, VIN = 8 VDC   |
| AF04               | SADJ     | Sensitivity Reduction  | —<br>—  | 0<br>-30             | —<br>—               | dB<br>dB         | VDD = 3.0V<br>No sensitivity reduction selected<br>Max reduction selected<br>Monotonic increment in attenuation value from setting = 0000 to 1111 by design   |
| AF05               | VIN_MOD  | Minimum Modulation Depth<br>75% ± 12%<br>50% ± 12%<br>25% ± 12%<br>12% ± 12% | 63<br>38<br>13<br>0                                       | 75<br>50<br>25<br>12 | 87<br>62<br>37<br>24 | %<br>%<br>%<br>% | VDD = 3.0V  |
| AF06               | CTUNX    | LCX Tuning Capacitor   | —<br>44   | 0<br>63              | —<br>82              | pF<br>pF         | VDD = 3.0V,<br>Config. Reg. 1, bits <6:1> Setting = 000000<br>63 pF +/- 30%<br>Config. Reg. 1, bits <6:1> Setting = 111111<br>63 steps, 1 pF/step<br>Monotonic increment in capacitor value from setting = 000000 to 111111 by design |
| AF07               | CTUNY    | LCY Tuning Capacitor   | —<br>44   | 0<br>63              | —<br>82              | pF<br>pF         | VDD = 3.0V,<br>Config. Reg. 2, bits <6:1> Setting = 000000<br>63 pF +/- 30%<br>Config. Reg. 2, bits <6:1> Setting = 111111<br>63 steps, 1 pF/step<br>Monotonic increment in capacitor value from setting = 000000 to 111111 by design |
| AF08               | CTUNZ    | LCZ Tuning Capacitor   | —<br>44   | 0<br>63              | —<br>82              | pF<br>pF         | VDD = 3.0V,<br>Config. Reg. 3, bits <6:1> Setting = 000000<br>63 pF +/- 30%<br>Config. Reg. 3, bits <6:1> Setting = 111111<br>63 steps, 1 pF/step<br>Monotonic increment in capacitor value from setting = 000000 to 111111 by design |
| AF09               | FCARRIER | Carrier frequency  | —   | 125                  | —                    | kHz              | Characterized at bench.   |
| AF10               | FMOD     | Input modulation frequency   | —   | —                    | 10                   | kHz              | Input data rate, characterized at bench.  |
| AF11               | C_Q      | Q of Trimming Capacitors   | 50*   | —                    | —                    | pF               | Characterized at bench test   |
| AF12               | TDR      | Demodulator Charge Time (delay time of demodulated output to rise)           | —   | 50                   | —                    | μs               | VDD = 3.0V<br>MOD depth setting = 50%<br>Input conditions:<br>Amplitude = 300 mVPP<br>Modulation depth = 80%  |
| AF13               | TDF      | Demodulator Discharge Time (delay time of demodulated output to fall)        | —   | 50                   | —                    | μs               | VDD = 3.0V<br>MOD depth setting = 50%<br>Input conditions:<br>Amplitude = 300 mVPP<br>Modulation depth = 80%  |

\* Parameter is characterized but not tested.

† Data in "Typ" column is at 3.0V, 25°C unless otherwise stated. These parameters are for design guidance only and are not tested.

**Note 1:** Required output enable filter high time must account for input path analog delays (= TOEH - TDR + TDF).

**2:** Required output enable filter low time must account for input path analog delays (= TOEL + TDR - TDF).

# PIC12F635/PIC16F636/639

## 15.11 AC Characteristics: Analog Front-End for PIC16F639 (Industrial) (Continued)

| AC CHARACTERISTICS |          |   | Standard Operating Conditions (unless otherwise stated)                            |                  |                  |             |   |
|--------------------|----------|---|--|------------------|------------------|-------------|---|
|                    |          |   | Supply Voltage $2.0V \leq V_{DD} \leq 3.6V$  |                  |                  |             |   |
|                    |          |   | Operating temperature $-40^{\circ}C \leq T_{AMB} \leq +85^{\circ}C$ for industrial |                  |                  |             |   |
|                    |          |   | LC Signal Input Sinusoidal 300 mVPP  |                  |                  |             |   |
|                    |          |   | Carrier Frequency 125 kHz  |                  |                  |             |   |
|                    |          |   | LCCOM connected to Vss   |                  |                  |             |   |
| Param No.          | Sym.     | Characteristic  | Min  | Typ†             | Max              | Units       | Conditions  |
| AF14               | TLFDATAR | Rise time of LFDATA   | —  | 0.5              | —                | μs          | VDD = 3.0V<br>Time is measured from 10% to 90% of amplitude           |
| AF15               | TLFDATAF | Fall time of LFDATA   | —  | 0.5              | —                | μs          | VDD = 3.0V<br>Time is measured from 10% to 90% of amplitude           |
| AF16               | TAGC     | AGC initialization time   | —  | 3.5*             | —                | ms          | Time required for AGC stabilization                                   |
| AF17               | TPAGC    | High time after AGC settling time   | —  | 62.5             | —                | μs          | Equivalent to two Internal clock cycle (FOSC)                         |
| AF18               | TSTAB    | AGC stabilization time plus high time (after AGC settling time) (TAGC + TPAGC)  | 4  | —                | —                | ms          | AGC stabilization time  |
| AF19               | TGAP     | Gap time after AGC settling time  | 200  | —                | —                | μs          | Typically 1 TE  |
| AF20               | TRDY     | Time from exiting Sleep or POR to being ready to receive signal   | —  | —                | 50*              | ms          |   |
| AF21               | TPRES    | Minimum time AGC level must be held after receiving AGC Preserve command  | 5*   | —                | —                | ms          | AGC level must not change more than 10% during TPRES.                 |
| AF22               | FOSC     | Internal RC oscillator frequency (±10%)   | 28.8   | 32               | 35.2             | kHz         | Internal clock trimmed at 32 kHz during test                          |
| AF23               | TINACT   | Inactivity timer time-out   | 14.4   | 16               | 17.6             | ms          | 512 cycles of RC oscillator @ FOSC                                    |
| AF24               | TALARM   | Alarm timer time-out  | 28.8   | 32               | 35.2             | ms          | 1024 cycles of RC oscillator @ FOSC                                   |
| AF25               | RLC      | <b>LC Pin Input Impedance</b><br>LCX, LCY, LCZ  | —  | 1*               | —                | MOhm        | Device in Standby mode  |
| AF26               | CIN      | <b>LC Pin Input Capacitance</b><br>LCX, LCY, LCZ  | —  | 24               | —                | pF          | LCCOM grounded. Vdd = 3.0V, FCARRIER = 125 kHz                        |
| AF27               | TE       | Time element of pulse   | 100  | —                | —                | μs          |   |
| AF28               | TOEH     | Minimum output enable filter high time<br><b>OEH (Bits Config0&lt;7:6&gt;)</b><br>01 = 1 ms<br>10 = 2 ms<br>11 = 4 ms<br>00 = Filter Disabled | 32 (~1ms)<br>64 (~2ms)<br>128 (~4ms)<br>—  | —<br>—<br>—<br>— | —<br>—<br>—<br>— | clock count | RC oscillator = FOSC<br>Viewed from the pin input:<br><b>(Note 1)</b> |
| AF29               | TOEL     | Minimum output enable filter low time<br><b>OEL (Bits Config0&lt;5:4&gt;)</b><br>00 = 1 ms<br>01 = 1 ms<br>10 = 2 ms<br>11 = 4 ms             | 32 (~1ms)<br>32 (~1ms)<br>64 (~2ms)<br>128 (~4ms)                                  | —<br>—<br>—<br>— | —<br>—<br>—<br>— | clock count | RC oscillator = FOSC<br>Viewed from the pin input:<br><b>(Note 2)</b> |

\* Parameter is characterized but not tested.

† Data in "Typ" column is at 3.0V, 25°C unless otherwise stated. These parameters are for design guidance only and are not tested.

**Note 1:** Required output enable filter high time must account for input path analog delays (= **TOEH** - TDR + TDF).

**2:** Required output enable filter low time must account for input path analog delays (= **TOEL** + TDR - TDF).

# PIC12F635/PIC16F636/639

## 15.11 AC Characteristics: Analog Front-End for PIC16F639 (Industrial) (Continued)

| AC CHARACTERISTICS      |        | Standard Operating Conditions (unless otherwise stated)                            |     |      |   |             |                                 |
|-------------------------|--------|--|-----|------|---|-------------|---------------------------------|
|                         |        | Supply Voltage $2.0V \leq V_{DD} \leq 3.6V$  |     |      |   |             |                                 |
|                         |        | Operating temperature $-40^{\circ}C \leq T_{AMB} \leq +85^{\circ}C$ for industrial |     |      |   |             |                                 |
|                         |        | LC Signal Input Sinusoidal 300 mVPP  |     |      |   |             |                                 |
|                         |        | Carrier Frequency 125 kHz  |     |      |   |             |                                 |
|                         |        | LCCOM connected to Vss   |     |      |   |             |                                 |
| Param No.               | Sym.   | Characteristic   | Min | Typ† | Max   | Units       | Conditions                      |
| AF30                    | TOET   | Maximum output enable filter period  |     |      |   |             | RC oscillator = Fosc            |
|                         |        | <b>OEH</b> <b>OEL</b> <b>TOEH</b> <b>TOEL</b>                                      |     |      |   |             |                                 |
|                         |        | 01 00 = 1 ms 1 ms (filter 1)   | —   | —    | 96 (~3ms)   | clock count |                                 |
|                         |        | 01 01 = 1 ms 1 ms (filter 1)   | —   | —    | 96 (~3ms)   |             |                                 |
|                         |        | 01 10 = 1 ms 2 ms (filter 2)   | —   | —    | 128 (~4ms)  |             |                                 |
|                         |        | 01 11 = 1 ms 4 ms (filter 3)   | —   | —    | 192 (~6ms)  |             |                                 |
|                         |        | 10 00 = 2 ms 1 ms (filter 4)   | —   | —    | 128 (~4ms)  |             |                                 |
|                         |        | 10 01 = 2 ms 1 ms (filter 4)   | —   | —    | 128 (~4ms)  |             |                                 |
|                         |        | 10 10 = 2 ms 2 ms (filter 5)   | —   | —    | 160 (~5ms)  |             |                                 |
|                         |        | 10 11 = 2 ms 4 ms (filter 6)   | —   | —    | 250 (~8ms)  |             |                                 |
|                         |        | 11 00 = 4 ms 1 ms (filter 7)   | —   | —    | 192 (~6ms)  |             |                                 |
|                         |        | 11 01 = 4 ms 1 ms (filter 7)   | —   | —    | 192 (~6ms)  |             |                                 |
|                         |        | 11 10 = 4 ms 2 ms (filter 8)   | —   | —    | 256 (~8ms)  |             |                                 |
|                         |        | 11 11 = 4 ms 4 ms (filter 9)   | —   | —    | 320 (~10ms)   |             |                                 |
| 00 XX = Filter Disabled | —      | —  | —   |      | LFDATA output appears as long as input signal level is greater than VSENSE. |             |                                 |
| AF31                    | IRSSI  | RSSI current output  | —   | 100  | —   |             | $\mu A$                         |
|                         |        |  | —   | 1    | —   | $\mu A$     | VIN = 40 mVPP                   |
|                         |        |  | —   | 10   | —   | $\mu A$     | VIN = 400 mVPP                  |
|                         |        |  | —   | 100  | —   | $\mu A$     | VIN = 4 VPP                     |
| AF32                    | IRSSLR | RSSI current linearity   | -15 | —    | 15  | %           | Tested at room temperature only |

\* Parameter is characterized but not tested.

† Data in "Typ" column is at 3.0V, 25°C unless otherwise stated. These parameters are for design guidance only and are not tested.

**Note 1:** Required output enable filter high time must account for input path analog delays (= TOEH - TDR + TDF).

**2:** Required output enable filter low time must account for input path analog delays (= TOEL + TDR - TDF).

# PIC12F635/PIC16F636/639

## 15.12 SPI Timing: Analog Front-End (AFE) for PIC16F639

| AC CHARACTERISTICS |                   |  | Standard Operating Conditions (unless otherwise stated)                            |      |     |       |   |
|--------------------|-------------------|--|--|------|-----|-------|---|
|                    |                   |  | Supply Voltage $2.0V \leq V_{DD} \leq 3.6V$  |      |     |       |   |
|                    |                   |  | Operating temperature $-40^{\circ}C \leq T_{AMB} \leq +85^{\circ}C$ for industrial |      |     |       |   |
|                    |                   |  | LC Signal Input Sinusoidal 300 mVPP  |      |     |       |   |
|                    |                   |  | Carrier Frequency 125 kHz  |      |     |       |   |
|                    |                   |  | LCCOM connected to VSS   |      |     |       |   |
| Param              | Sym               | Characteristic                                     | Min  | Typ† | Max | Units | Conditions  |
| AF33               | F <sub>SCLK</sub> | SCLK Frequency                                     | —  | —    | 3   | MHz   |   |
| AF34               | T <sub>cssc</sub> | $\overline{CS}$ fall to first SCLK edge setup time | 100  | —    | —   | ns    |   |
| AF35               | T <sub>su</sub>   | SDI setup time                                     | 30   | —    | —   | ns    |   |
| AF36               | T <sub>hd</sub>   | SDI hold time                                      | 50   | —    | —   | ns    |   |
| AF37               | T <sub>hi</sub>   | SCLK high time                                     | 150  | —    | —   | ns    |   |
| AF38               | T <sub>lo</sub>   | SCLK low time                                      | 150  | —    | —   | ns    |   |
| AF39               | T <sub>do</sub>   | SDO setup time                                     | —  | —    | 150 | ns    |   |
| AF40               | T <sub>scs</sub>  | SCLK last edge to $\overline{CS}$ rise setup time  | 100  | —    | —   | ns    |   |
| AF41               | T <sub>csH</sub>  | $\overline{CS}$ high time                          | 500  | —    | —   | ns    |   |
| AF42               | T <sub>cs1</sub>  | $\overline{CS}$ rise to SCLK edge setup time       | 50   | —    | —   | ns    |   |
| AF43               | T <sub>cs0</sub>  | SCLK edge to $\overline{CS}$ fall setup time       | 50   | —    | —   | ns    | SCLK edge when $\overline{CS}$ is high                                |
| AF44               | T <sub>spIR</sub> | Rise time of SPI data (SPI Read command)           | —  | 10   | —   | ns    | V <sub>DD</sub> = 3.0V. Time is measured from 10% to 90% of amplitude |
| AF45               | T <sub>spIF</sub> | Fall time of SPI data (SPI Read command)           | —  | 10   | —   | ns    | V <sub>DD</sub> = 3.0V. Time is measured from 90% to 10% of amplitude |

\* Parameter is characterized but not tested.

† Data in "Typ" column is at 3.0V, 25°C unless otherwise stated. These parameters are for design guidance only and are not tested.



## 16.0 DC AND AC CHARACTERISTICS GRAPHS AND TABLES

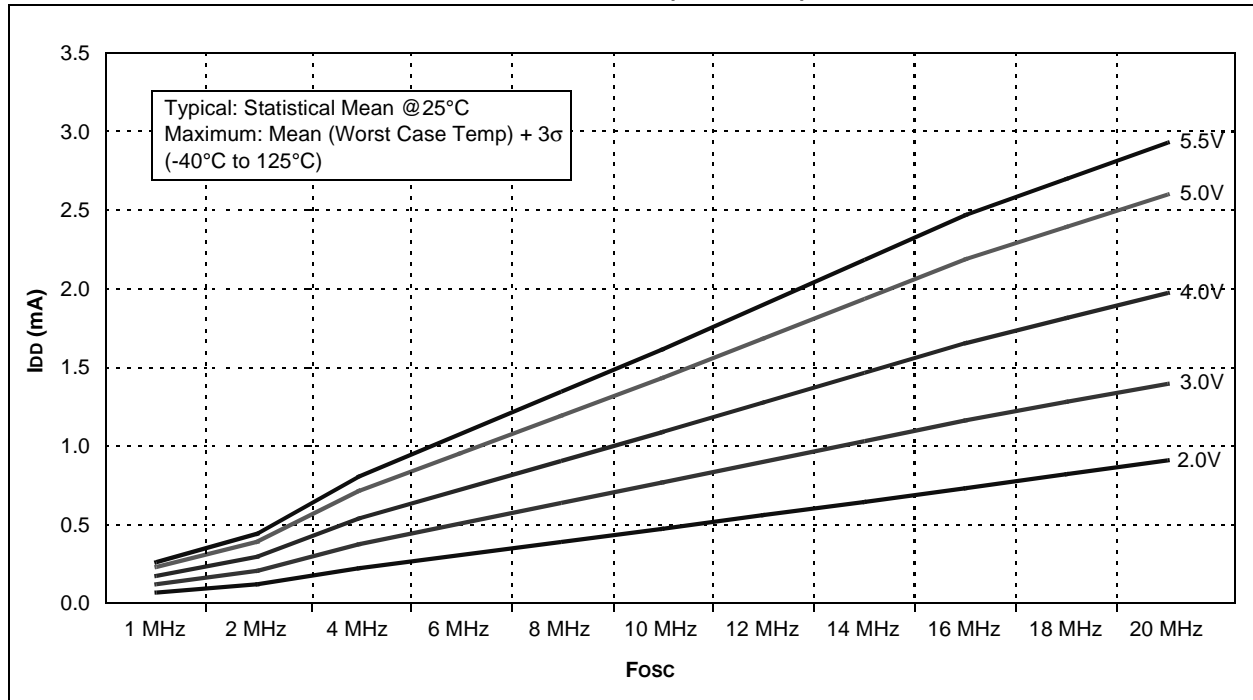
The graphs and tables provided in this section are for **design guidance** and are **not tested**.

In some graphs or tables, the data presented are **outside specified operating range** (i.e., outside specified  $V_{DD}$  range). This is for **information only** and devices are ensured to operate properly only within the specified range.

**Note:** The graphs and tables provided following this note are a statistical summary based on a limited number of samples and are provided for informational purposes only. The performance characteristics listed herein are not tested or guaranteed. In some graphs or tables, the data presented may be outside the specified operating range (e.g., outside specified power supply range) and therefore, outside the warranted range.

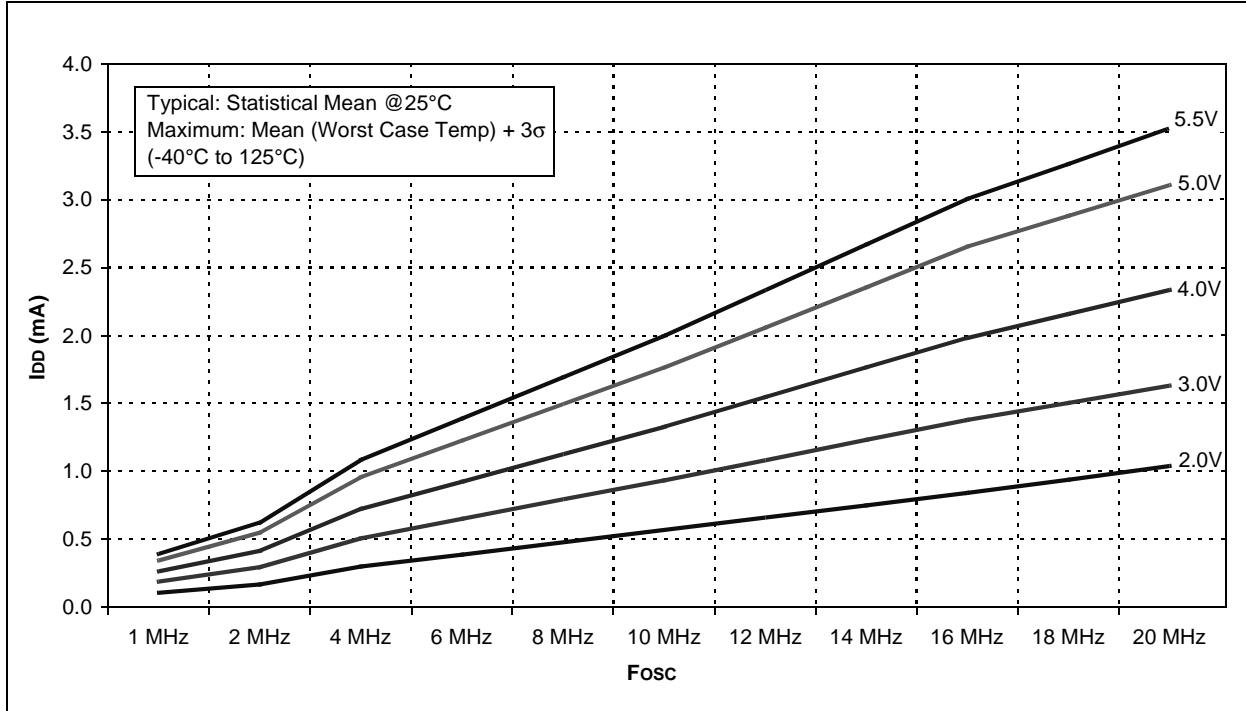
“Typical” represents the mean of the distribution at 25°C. “Maximum” or “minimum” represents (mean + 3 $\sigma$ ) or (mean - 3 $\sigma$ ) respectively, where  $\sigma$  is a standard deviation, over each temperature range.

**FIGURE 16-1: TYPICAL  $I_{DD}$  vs.  $F_{osc}$  OVER  $V_{DD}$  (EC MODE)**

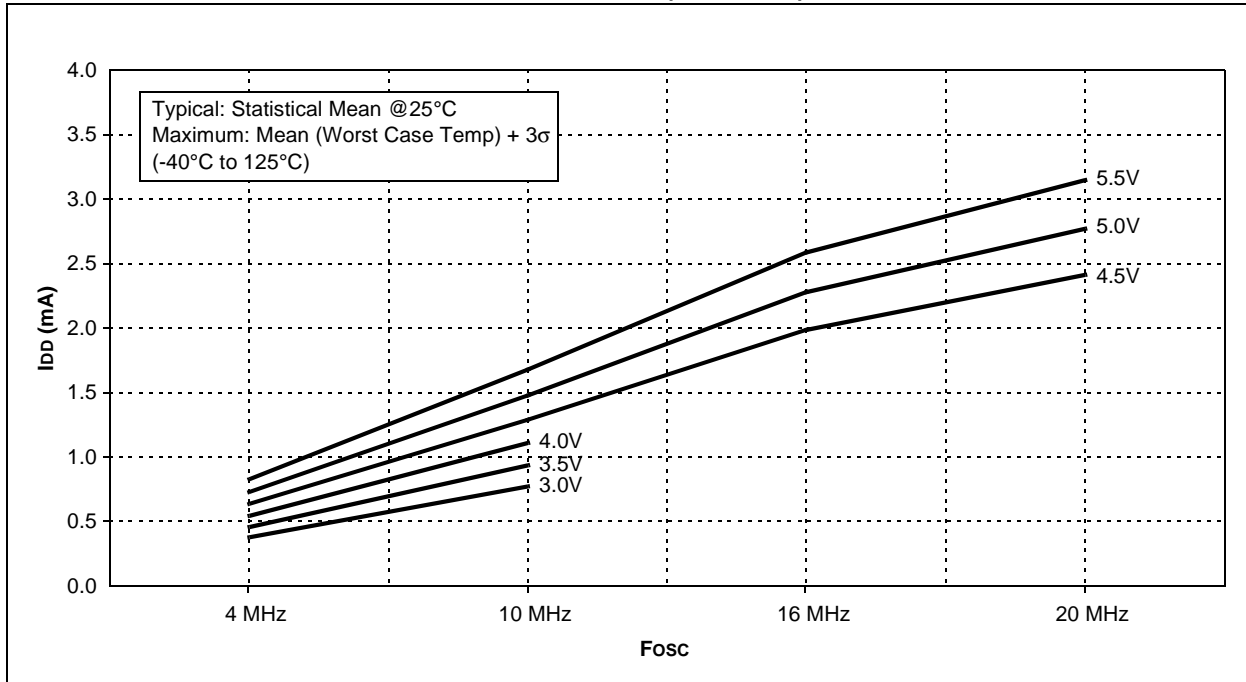


# PIC12F635/PIC16F636/639

**FIGURE 16-2: MAXIMUM  $I_{DD}$  vs.  $F_{osc}$  OVER  $V_{DD}$  (EC MODE)**

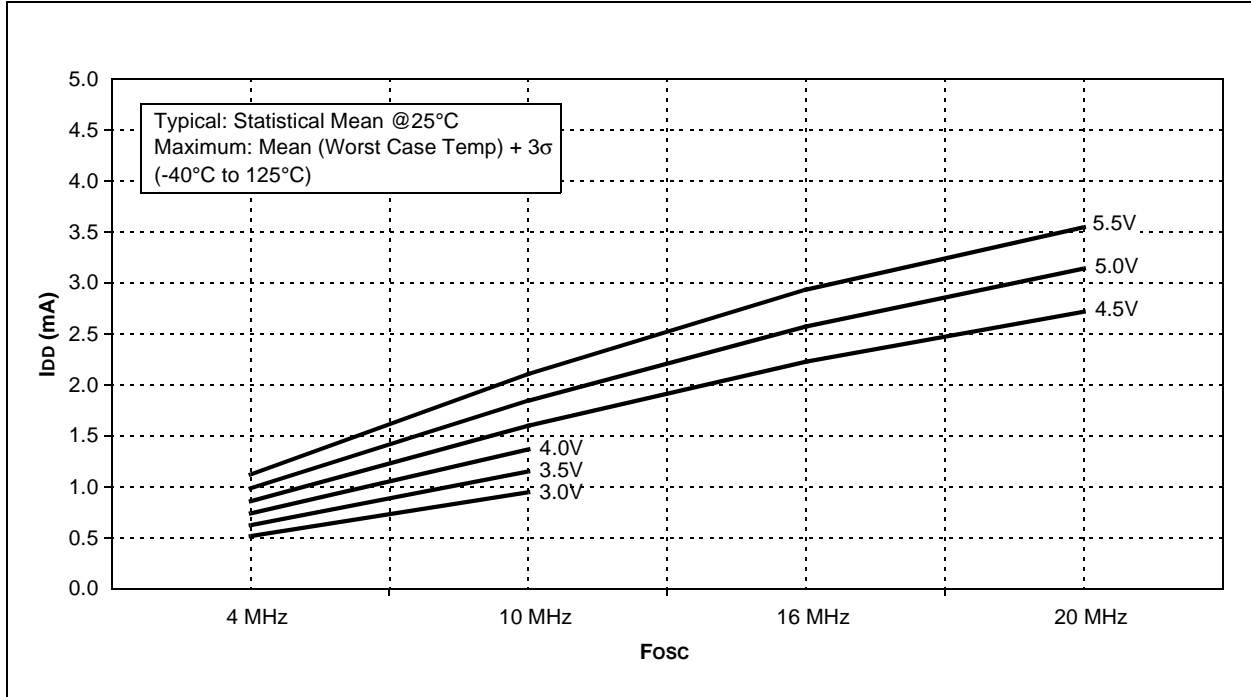


**FIGURE 16-3: TYPICAL  $I_{DD}$  vs.  $F_{osc}$  OVER  $V_{DD}$  (HS MODE)**

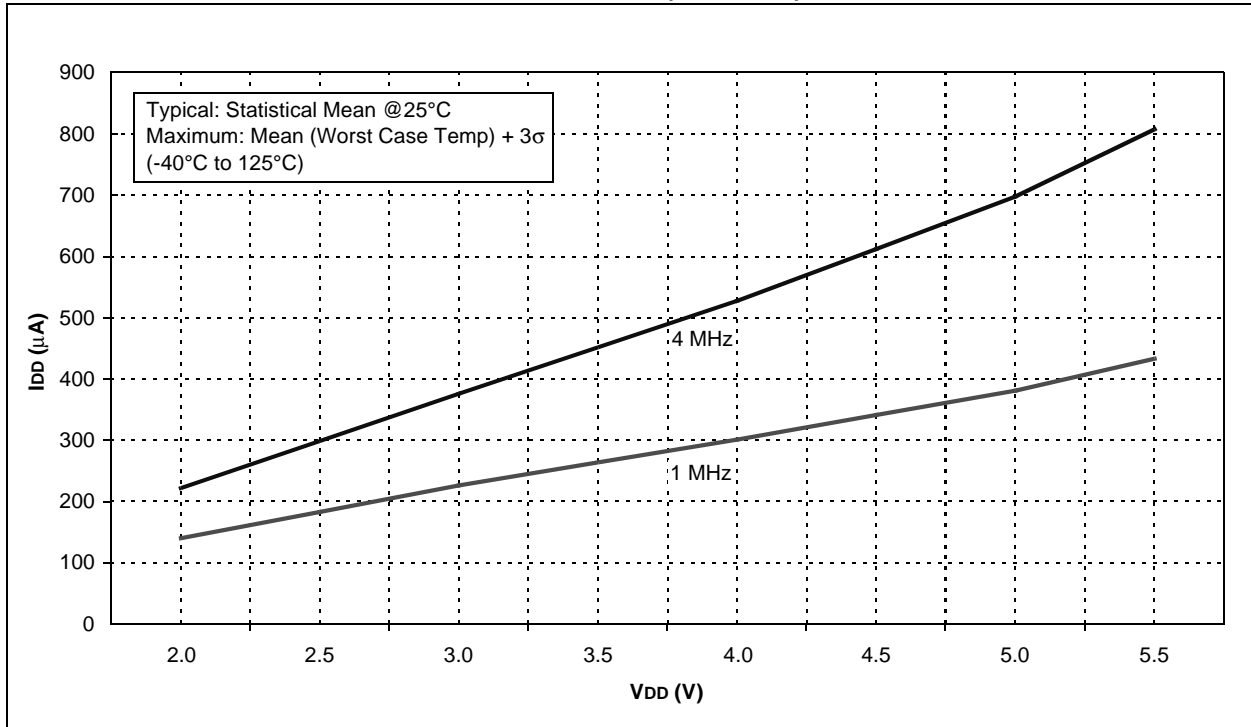


# PIC12F635/PIC16F636/639

**FIGURE 16-4: MAXIMUM  $I_{DD}$  vs.  $F_{osc}$  OVER  $V_{DD}$  (HS MODE)**



**FIGURE 16-5: TYPICAL  $I_{DD}$  vs.  $V_{DD}$  OVER  $F_{osc}$  (XT MODE)**



# PIC12F635/PIC16F636/639

FIGURE 16-6: MAXIMUM  $I_{DD}$  vs.  $V_{DD}$  OVER  $F_{osc}$  (XT MODE)

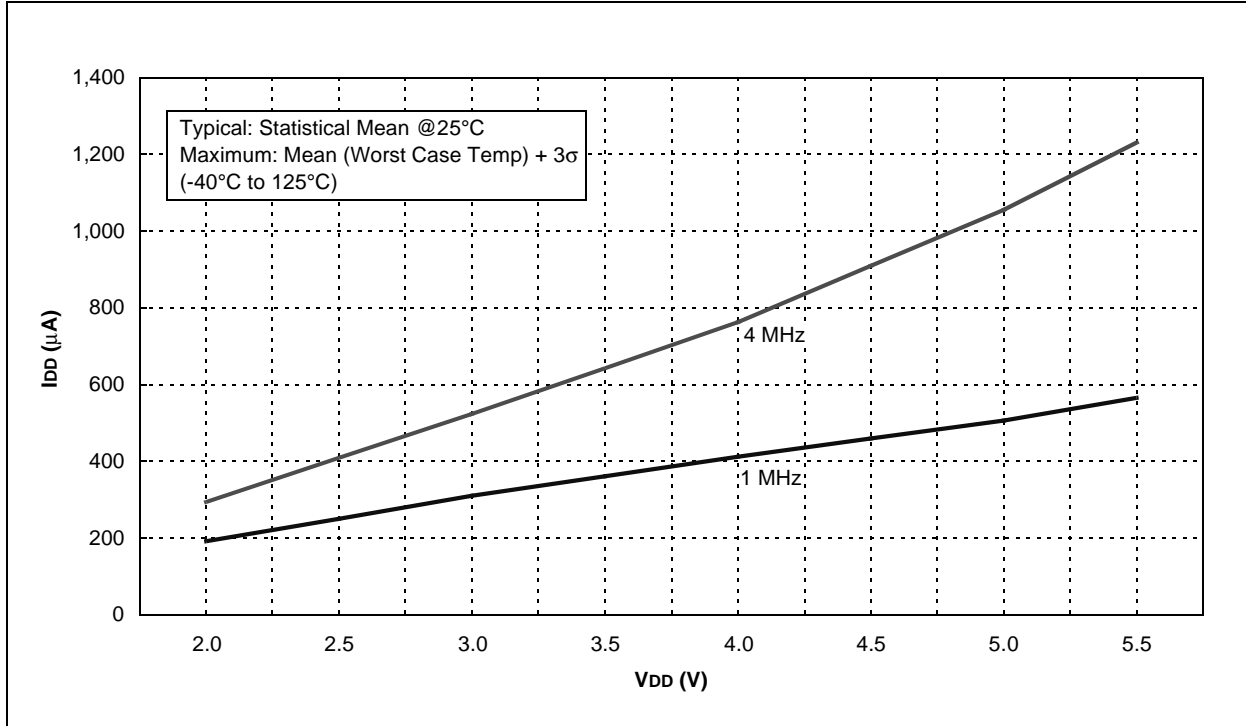
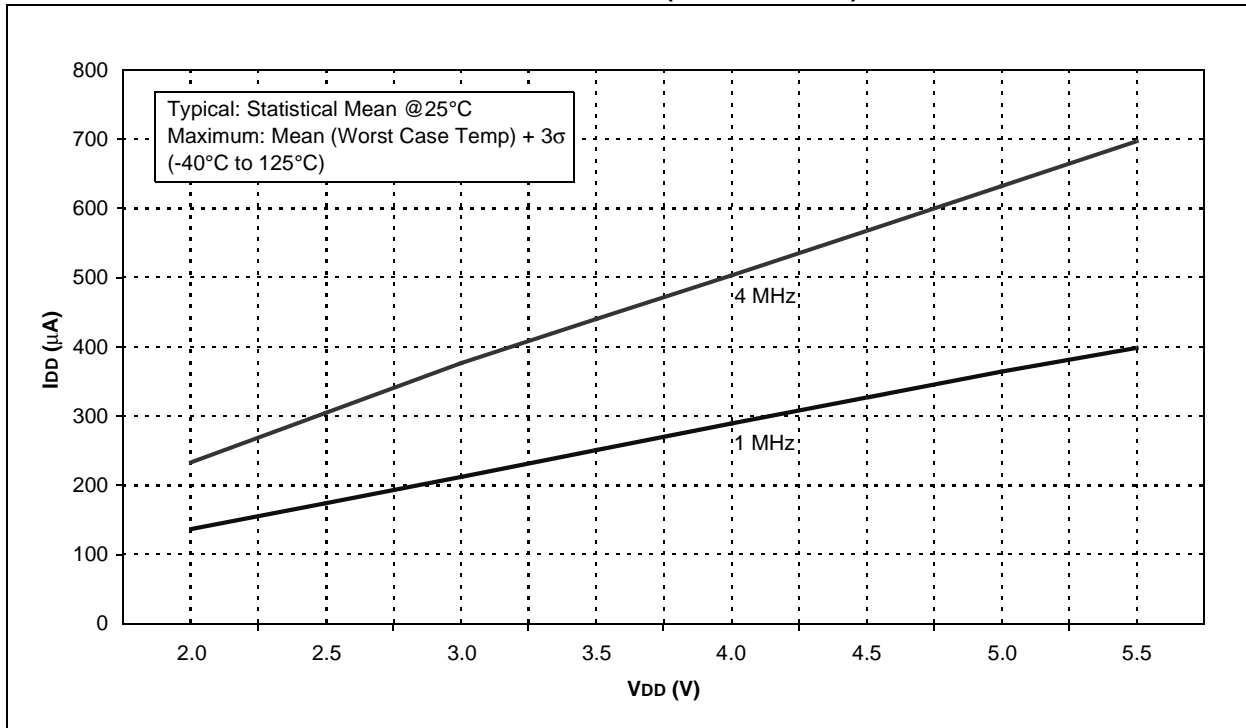
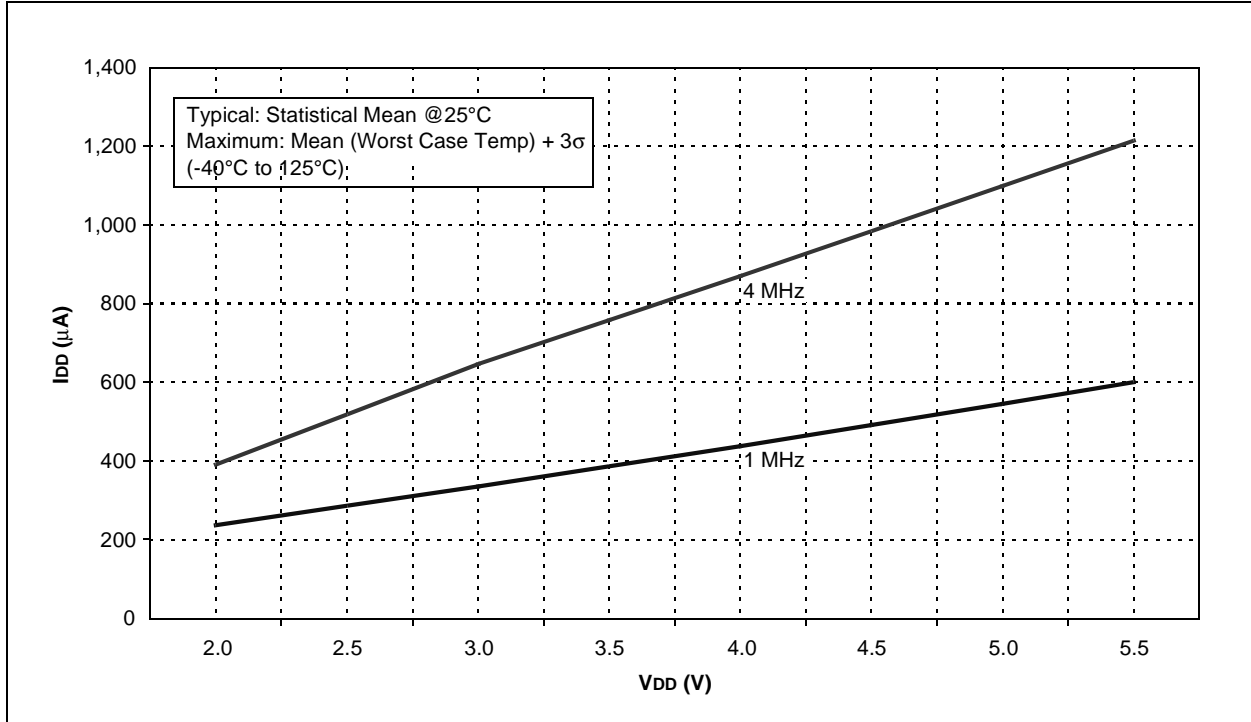


FIGURE 16-7: TYPICAL  $I_{DD}$  vs.  $V_{DD}$  OVER  $F_{osc}$  (EXTRC MODE)

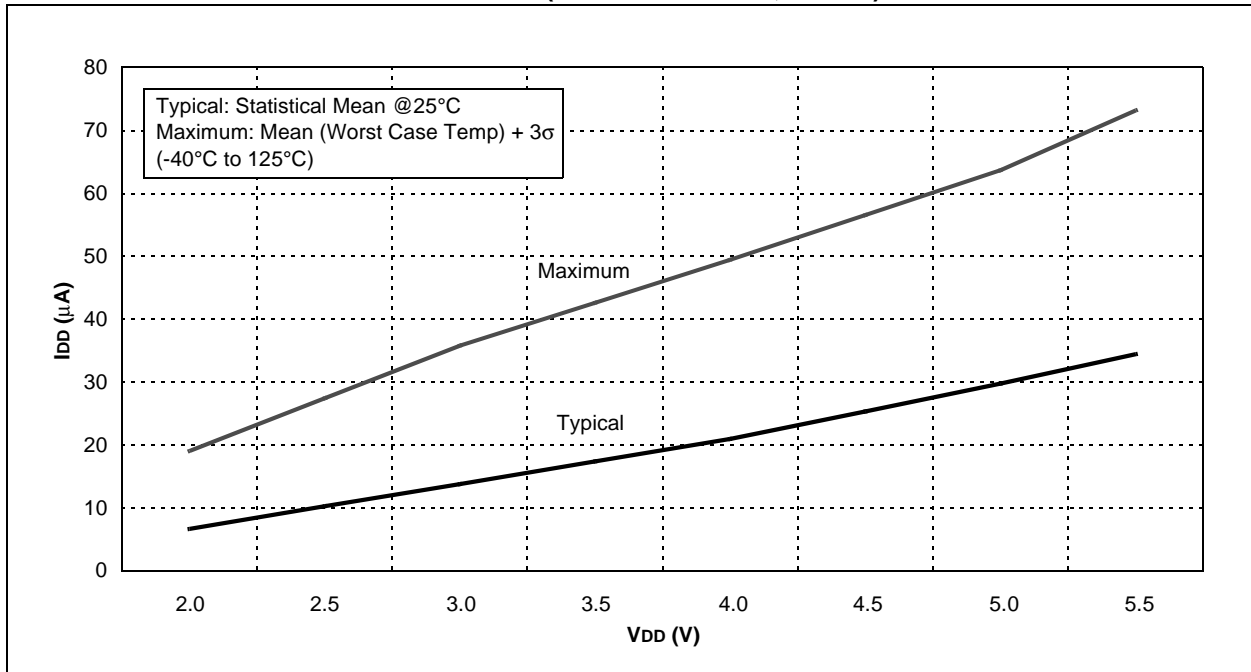


# PIC12F635/PIC16F636/639

**FIGURE 16-8: MAXIMUM  $I_{DD}$  vs.  $V_{DD}$  OVER  $F_{osc}$  (EXTRC MODE)**

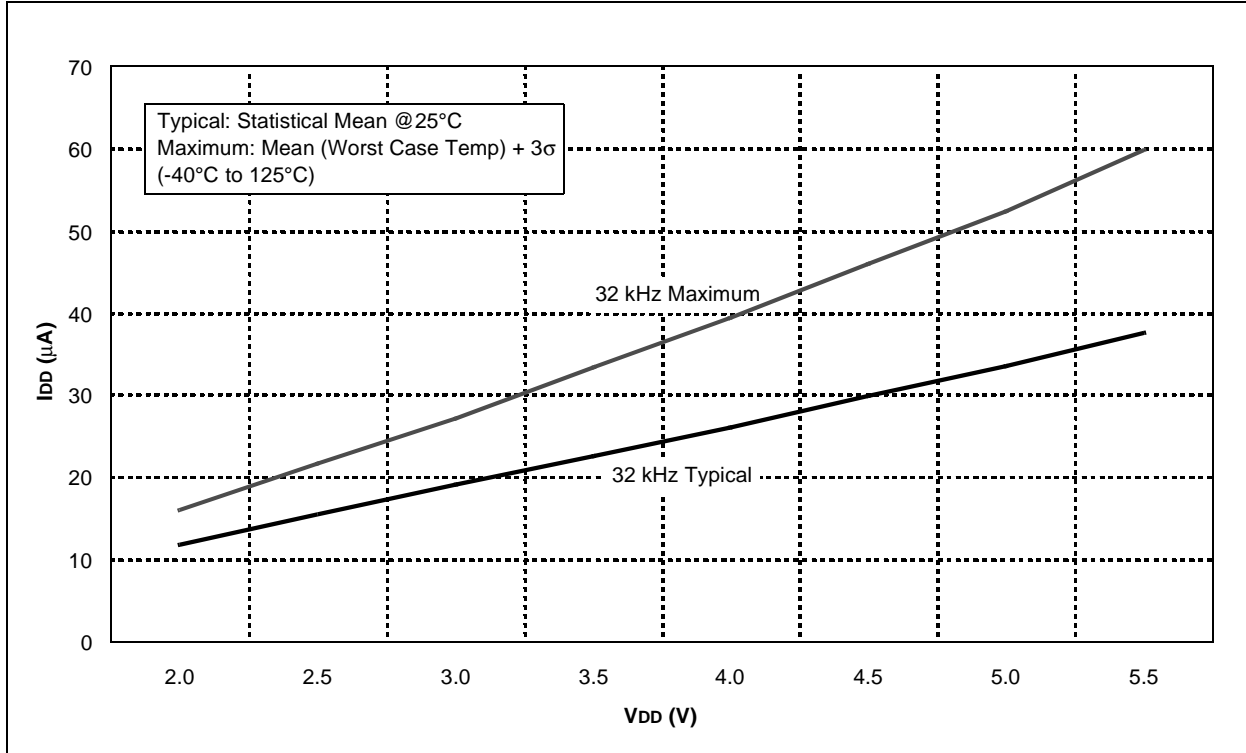


**FIGURE 16-9:  $I_{DD}$  vs.  $V_{DD}$  OVER  $F_{osc}$  (LFINTOSC MODE, 31 kHz)**

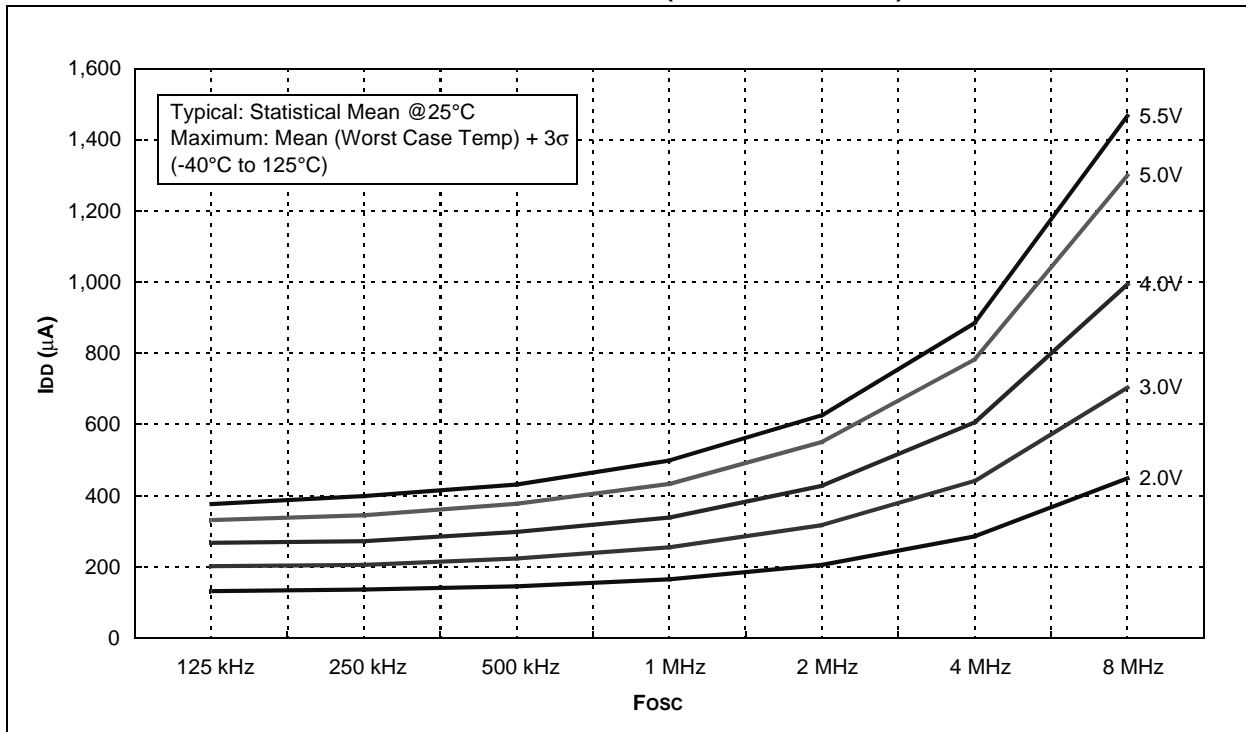


# PIC12F635/PIC16F636/639

**FIGURE 16-10: I<sub>DD</sub> vs. V<sub>DD</sub> OVER F<sub>osc</sub> (LP MODE)**

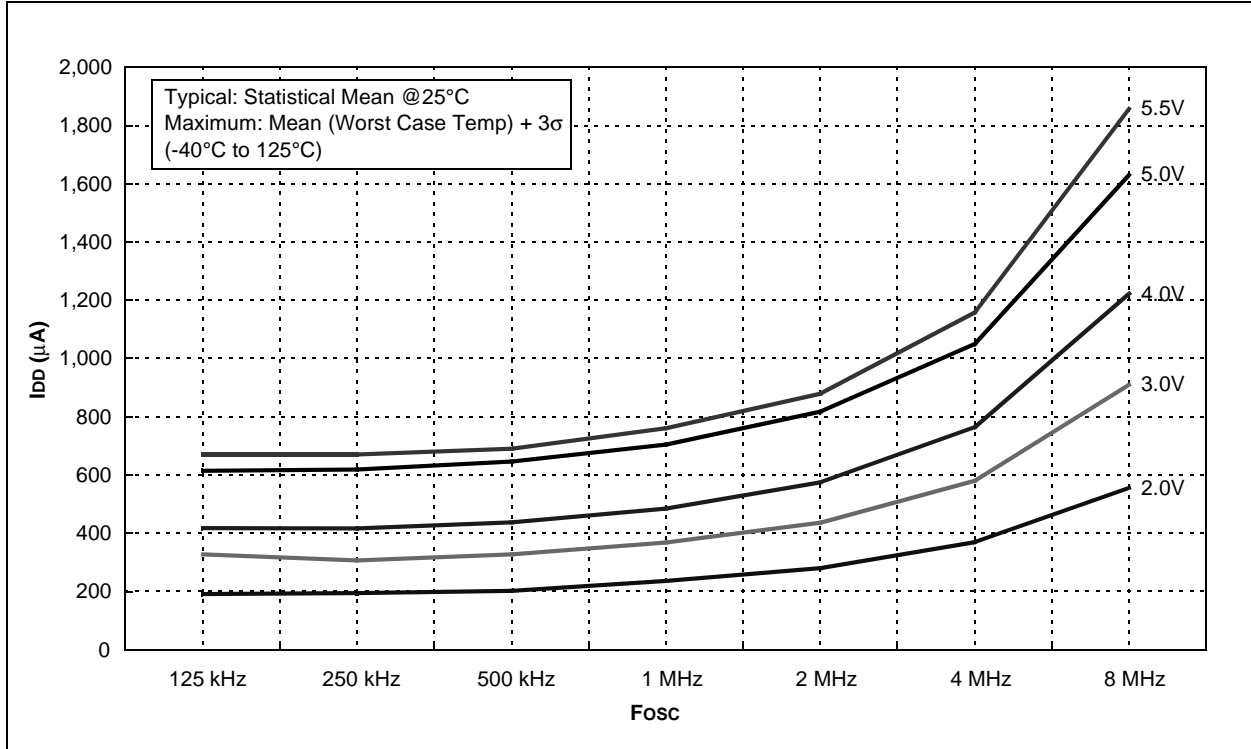


**FIGURE 16-11: TYPICAL I<sub>DD</sub> vs. F<sub>osc</sub> OVER V<sub>DD</sub> (HFINTOSC MODE)**

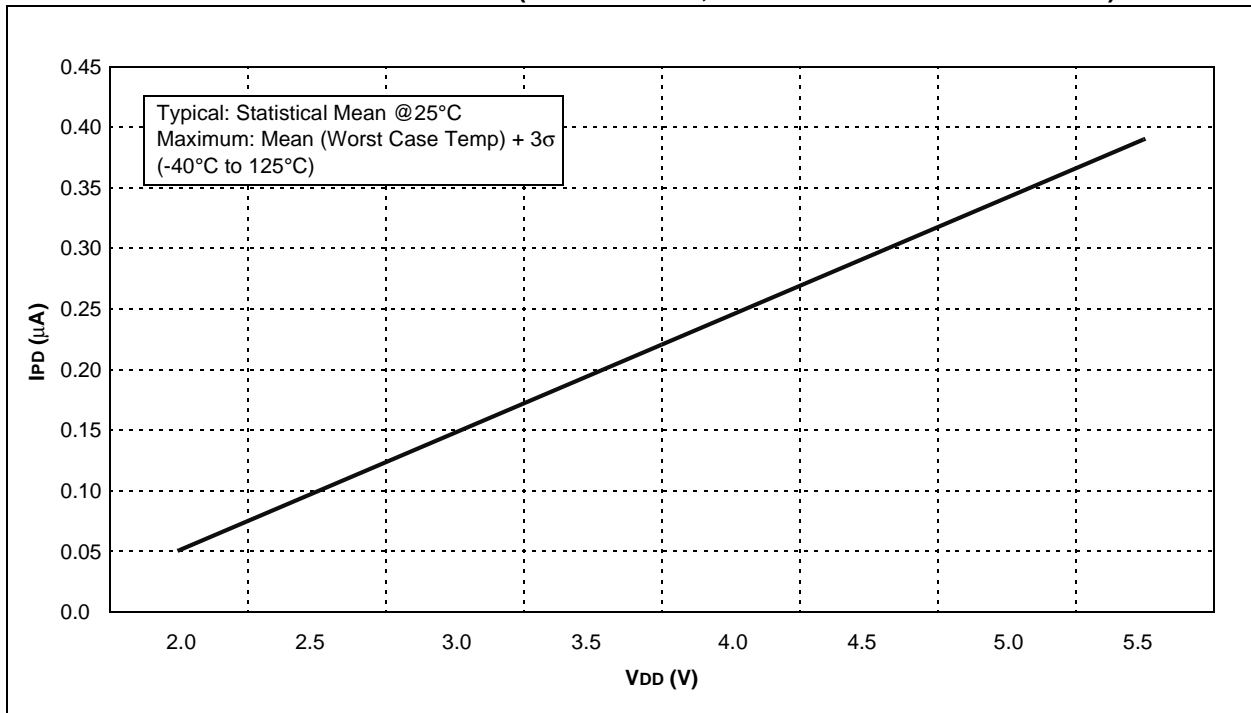


# PIC12F635/PIC16F636/639

**FIGURE 16-12: MAXIMUM  $I_{DD}$  vs.  $F_{osc}$  OVER  $V_{DD}$  (HFINTOSC MODE)**



**FIGURE 16-13: TYPICAL  $I_{PD}$  vs.  $V_{DD}$  (SLEEP MODE, ALL PERIPHERALS DISABLED)**



# PIC12F635/PIC16F636/639

FIGURE 16-14: MAXIMUM IPD vs. VDD (SLEEP MODE, ALL PERIPHERALS DISABLED)

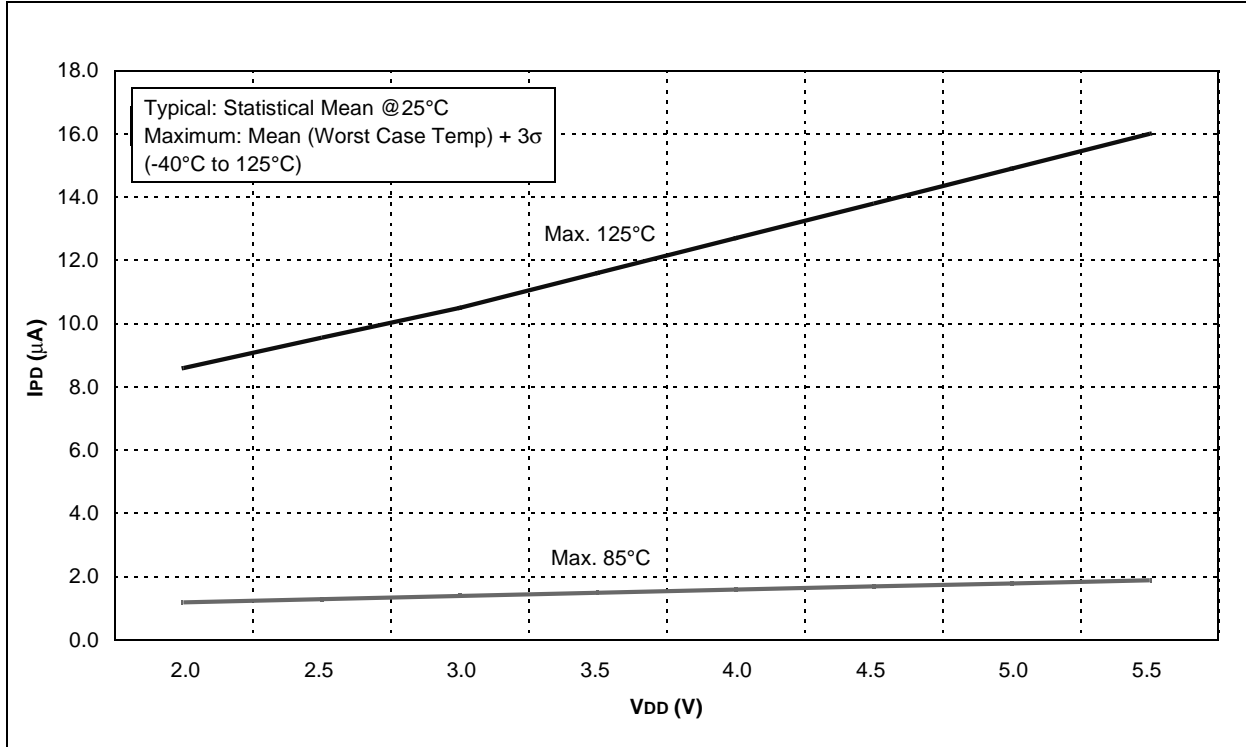
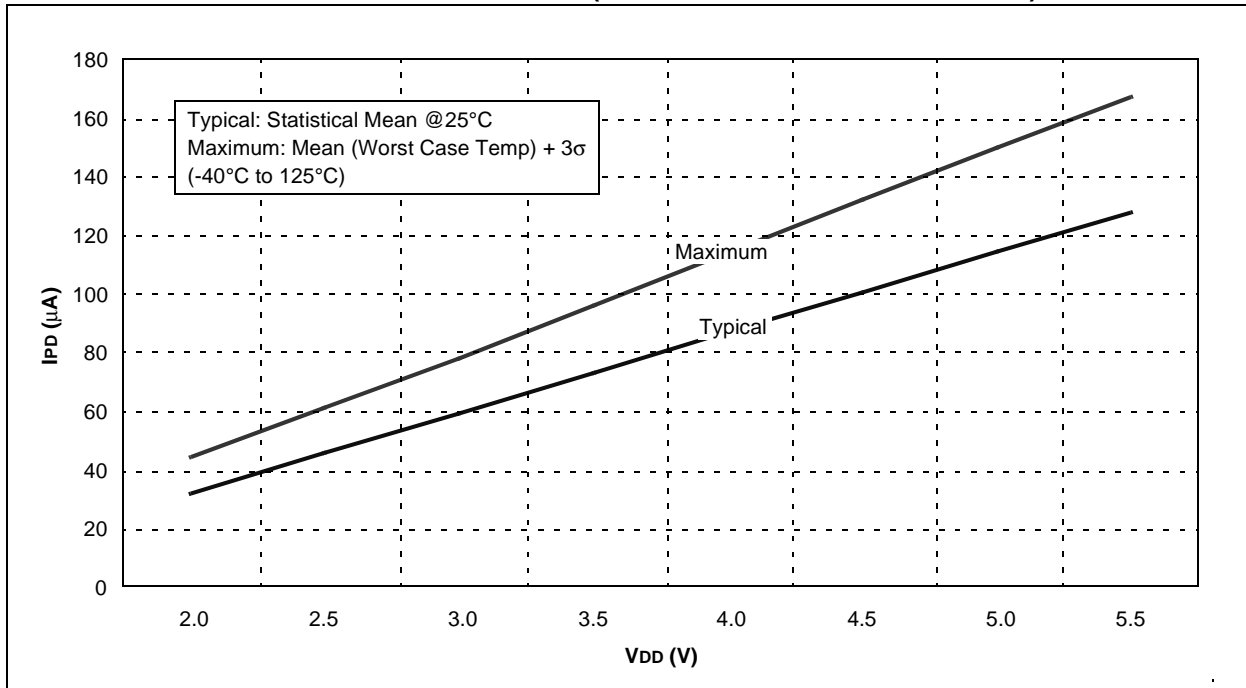


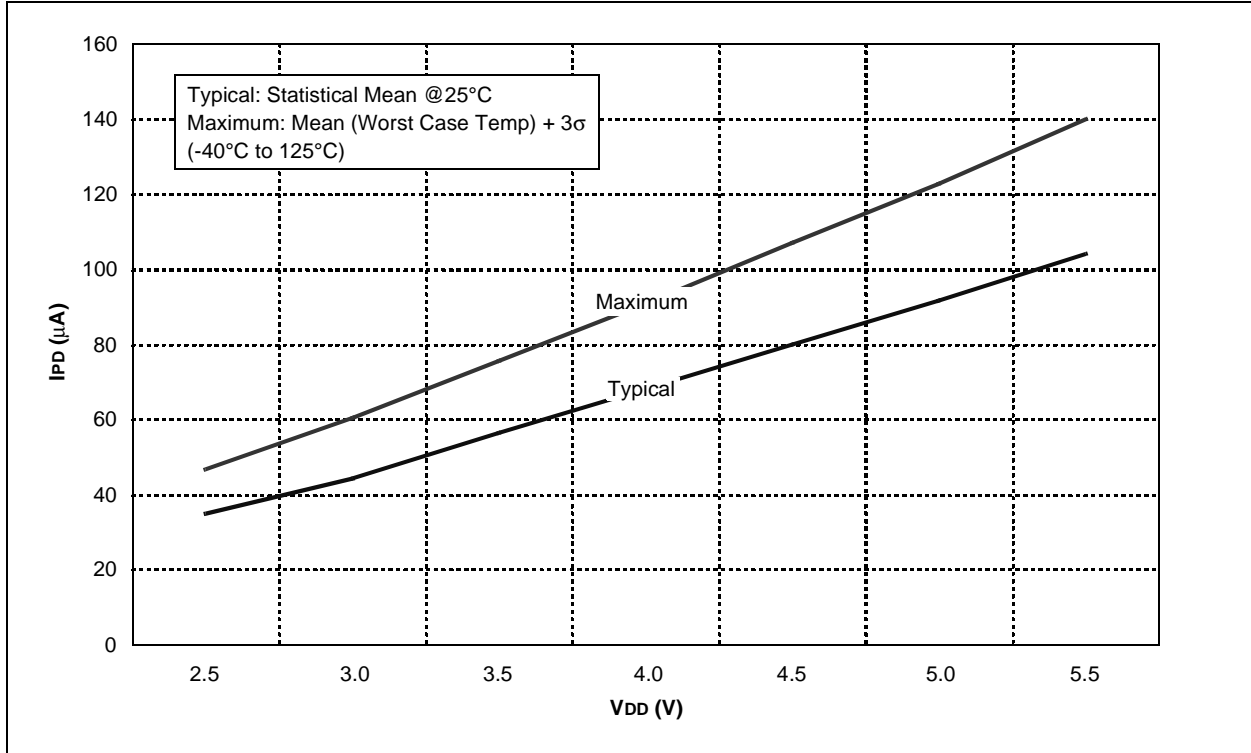
FIGURE 16-15: COMPARATOR IPD vs. VDD (BOTH COMPARATORS ENABLED)



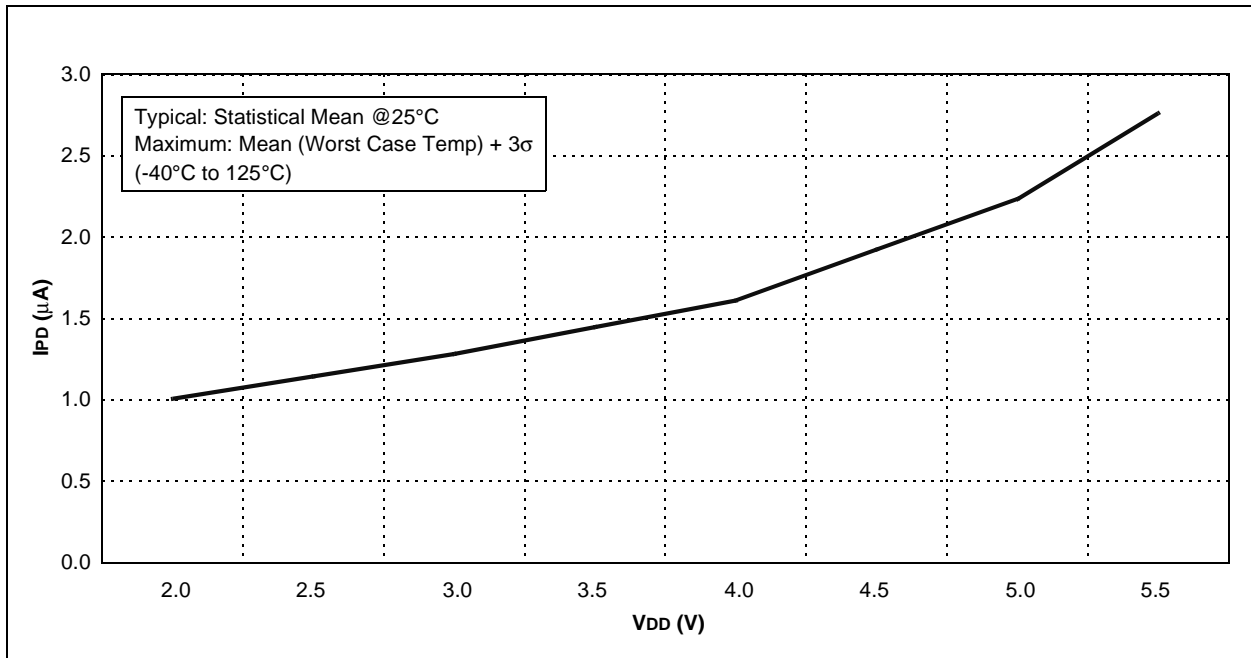


# PIC12F635/PIC16F636/639

**FIGURE 16-16: BOR IPD vs. VDD OVER TEMPERATURE**

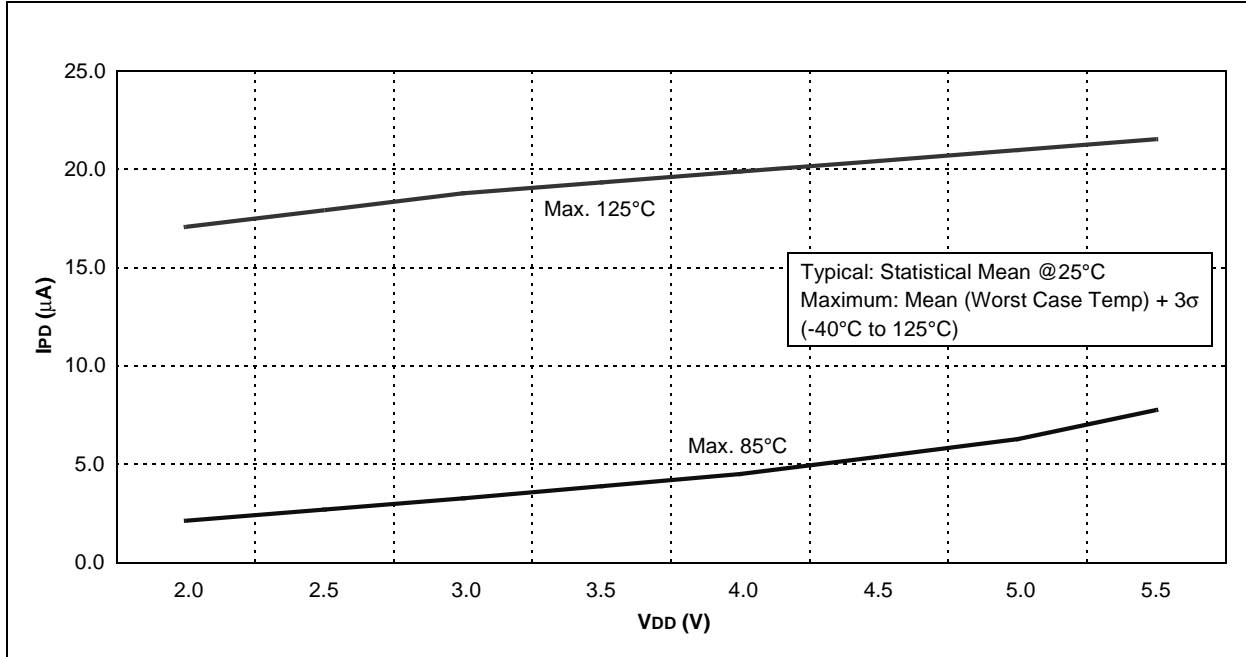


**FIGURE 16-17: TYPICAL WDT IPD vs. VDD OVER TEMPERATURE**

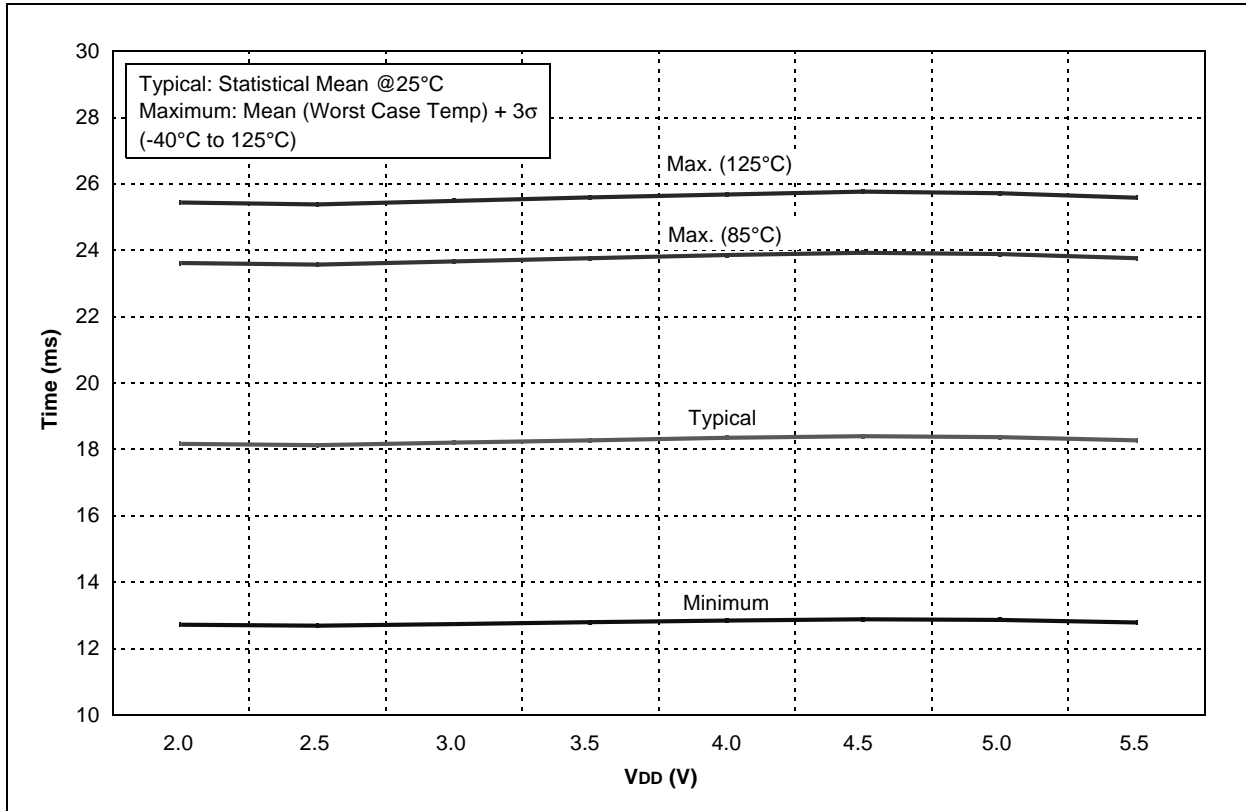


# PIC12F635/PIC16F636/639

**FIGURE 16-18: MAXIMUM WDT IPD vs. VDD OVER TEMPERATURE**



**FIGURE 16-19: WDT PERIOD vs. VDD OVER TEMPERATURE**



# PIC12F635/PIC16F636/639

FIGURE 16-20: WDT PERIOD vs. TEMPERATURE OVER V<sub>DD</sub> (5.0V)

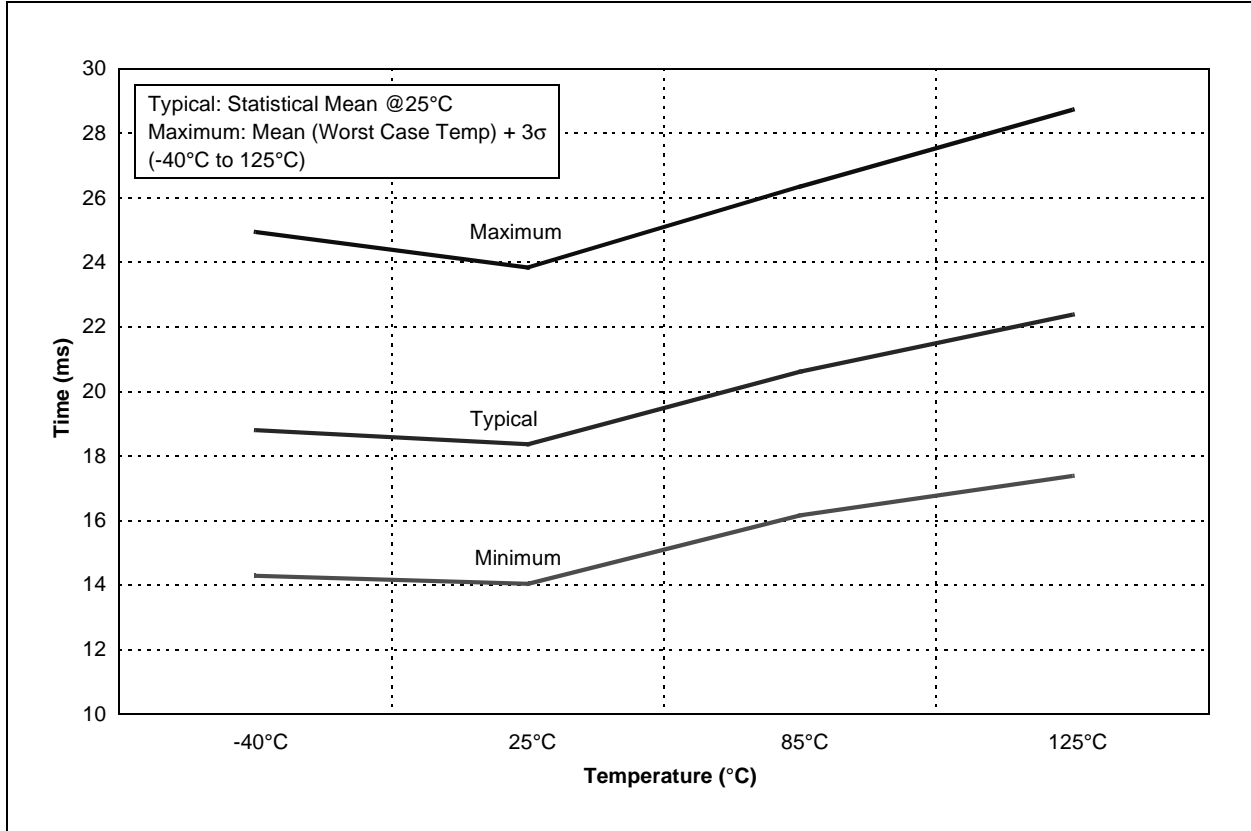
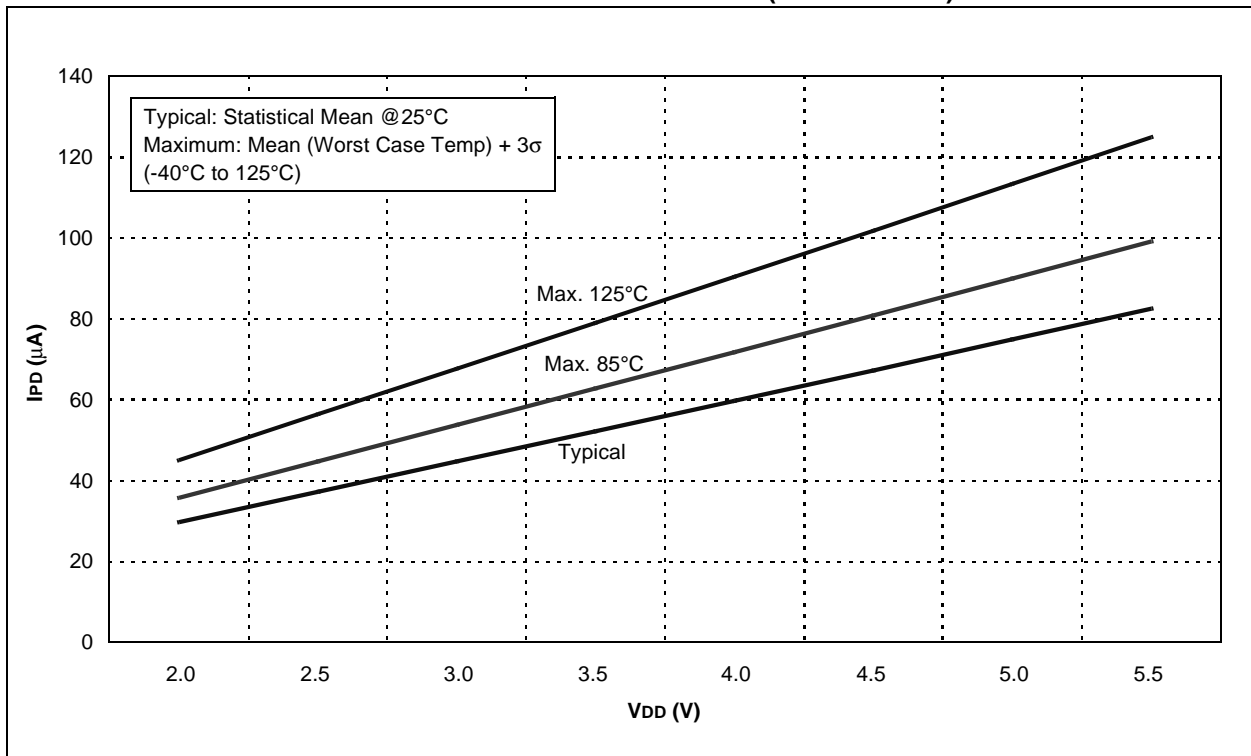


FIGURE 16-21: CV<sub>REF</sub> IPD vs. V<sub>DD</sub> OVER TEMPERATURE (HIGH RANGE)



# PIC12F635/PIC16F636/639

FIGURE 16-22: CVREF IPD vs. VDD OVER TEMPERATURE (LOW RANGE)

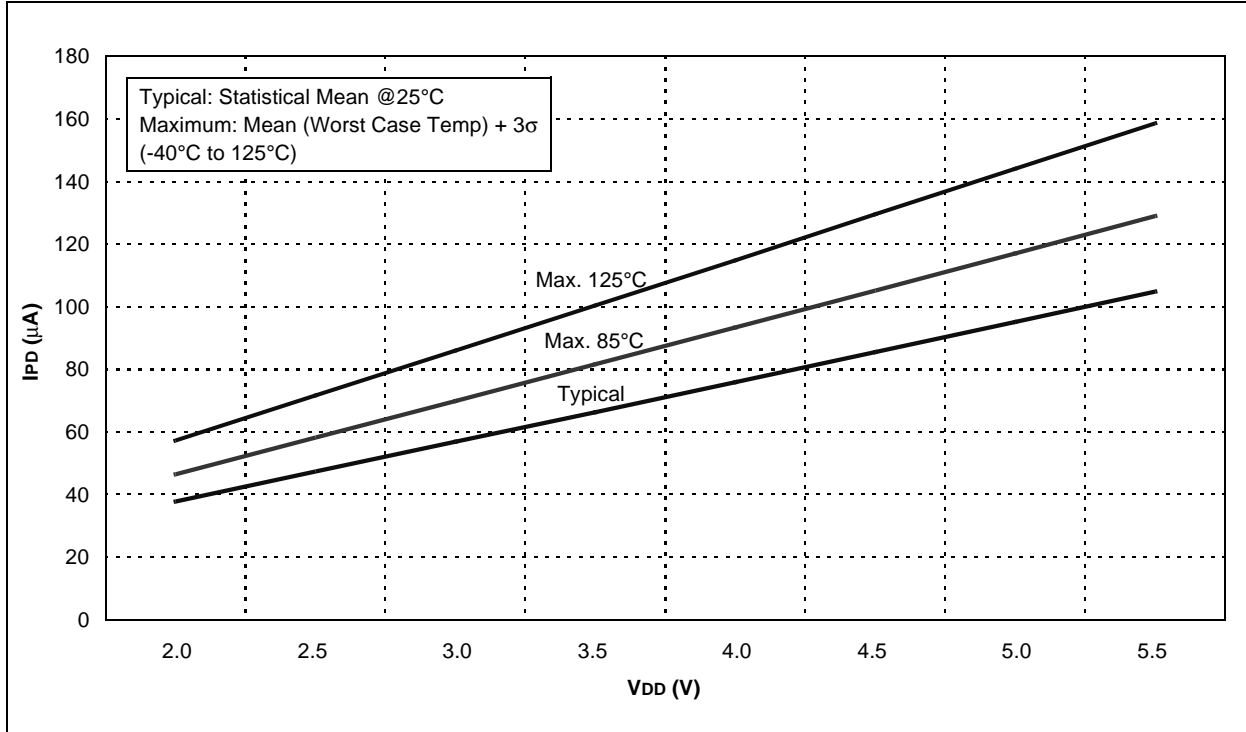
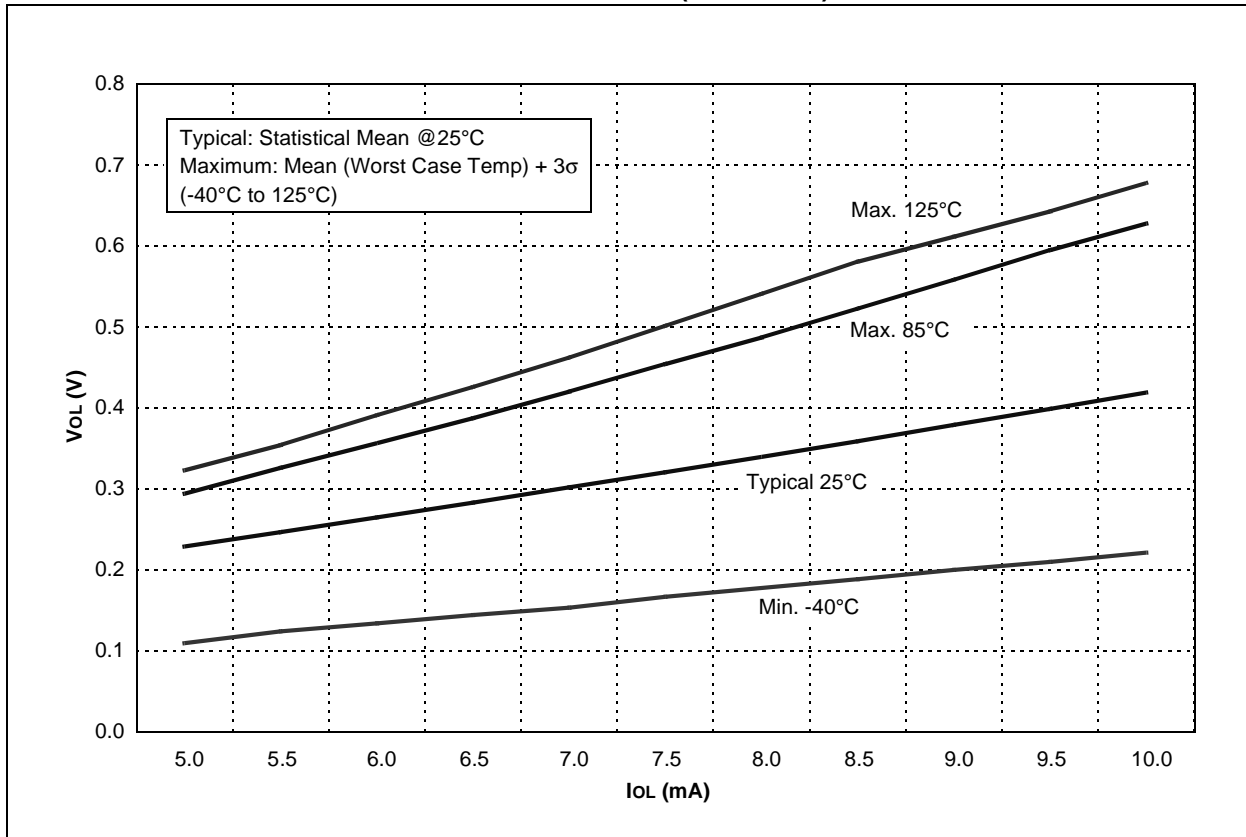


FIGURE 16-23: VOL vs. IOL OVER TEMPERATURE (VDD = 3.0V)



# PIC12F635/PIC16F636/639

FIGURE 16-24:  $V_{OL}$  vs.  $I_{OL}$  OVER TEMPERATURE ( $V_{DD} = 5.0V$ )

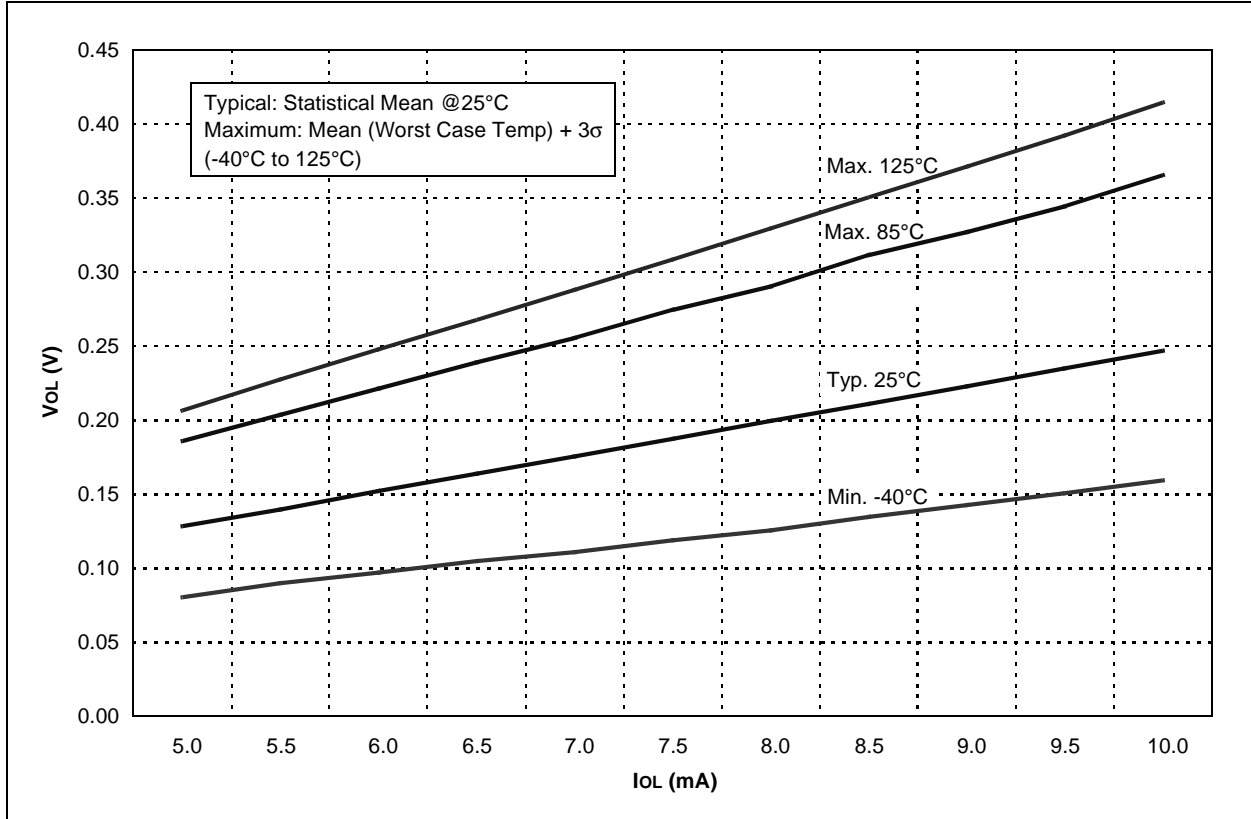
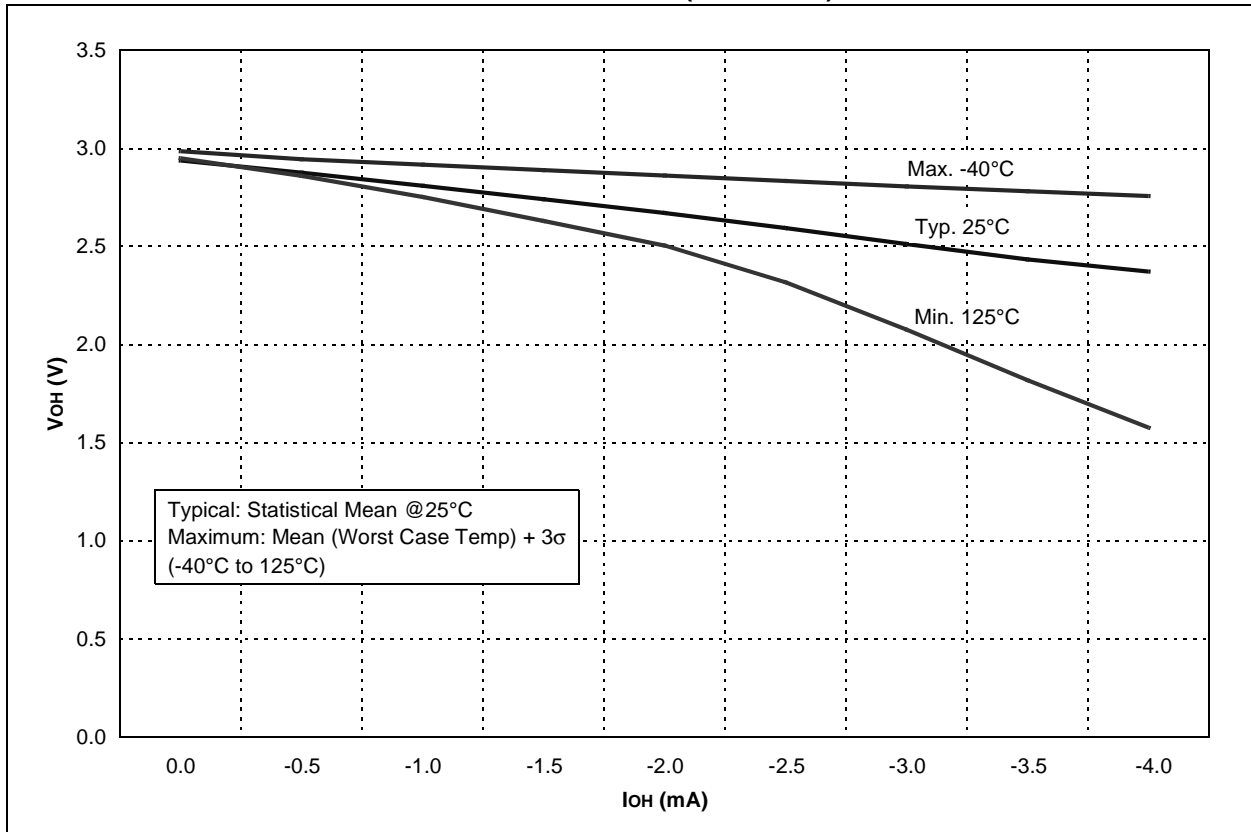


FIGURE 16-25:  $V_{OH}$  vs.  $I_{OH}$  OVER TEMPERATURE ( $V_{DD} = 3.0V$ )



# PIC12F635/PIC16F636/639

FIGURE 16-26:  $V_{OH}$  vs.  $I_{OH}$  OVER TEMPERATURE ( $V_{DD} = 5.0V$ )

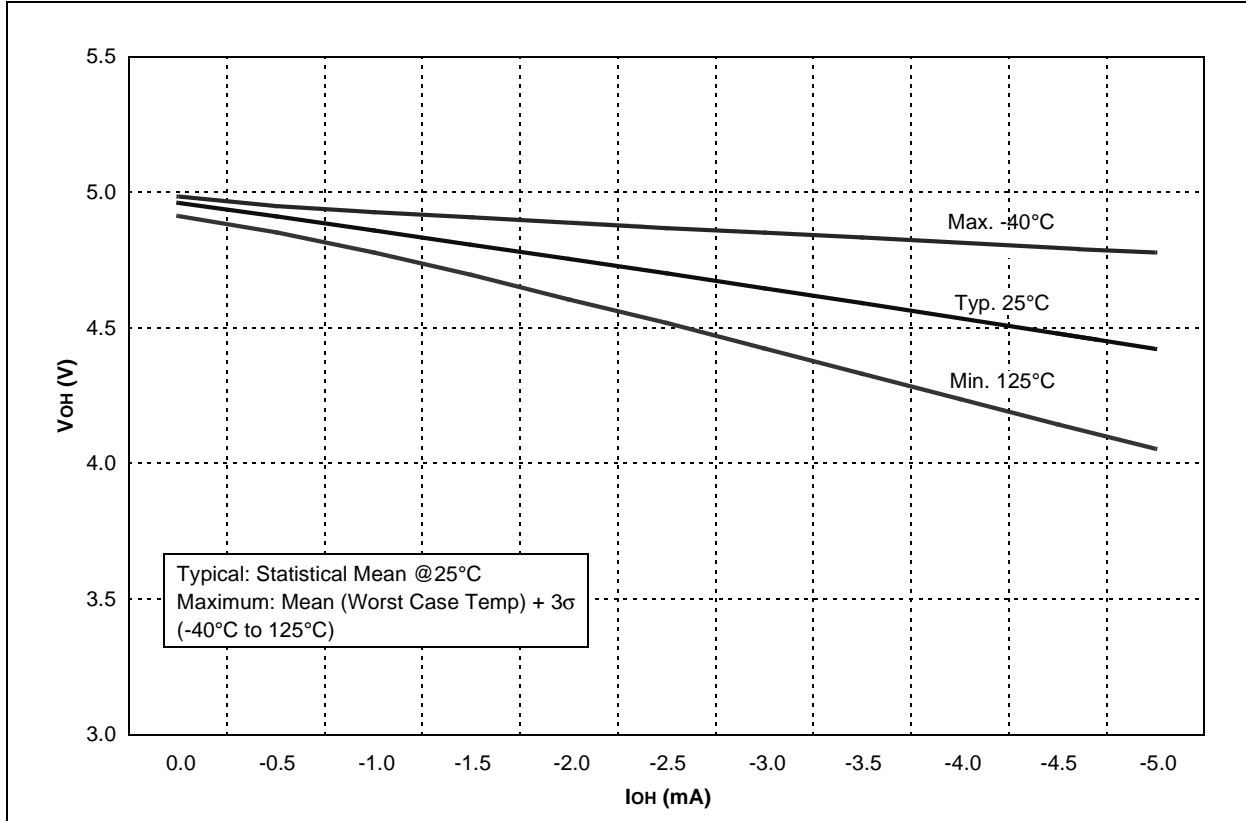
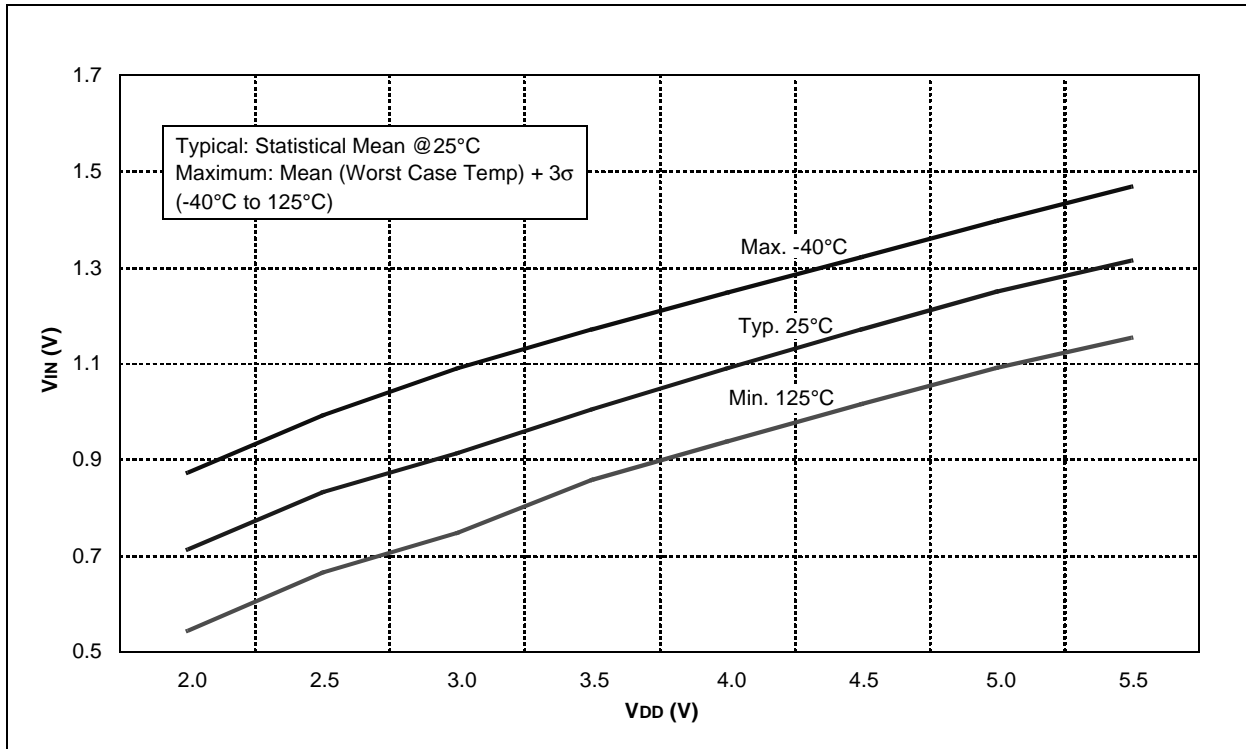


FIGURE 16-27: TTL INPUT THRESHOLD  $V_{IN}$  vs.  $V_{DD}$  OVER TEMPERATURE



# PIC12F635/PIC16F636/639

FIGURE 16-28: SCHMITT TRIGGER INPUT THRESHOLD  $V_{IN}$  vs.  $V_{DD}$  OVER TEMPERATURE

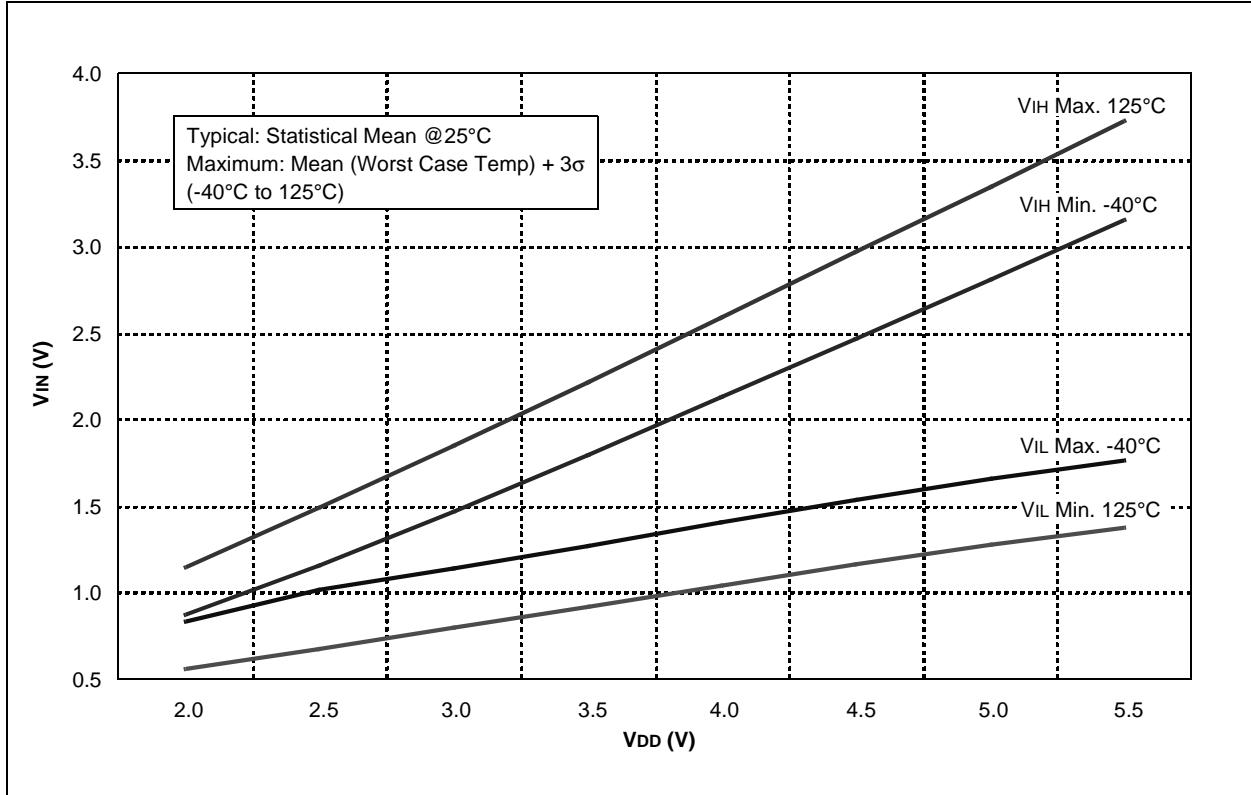
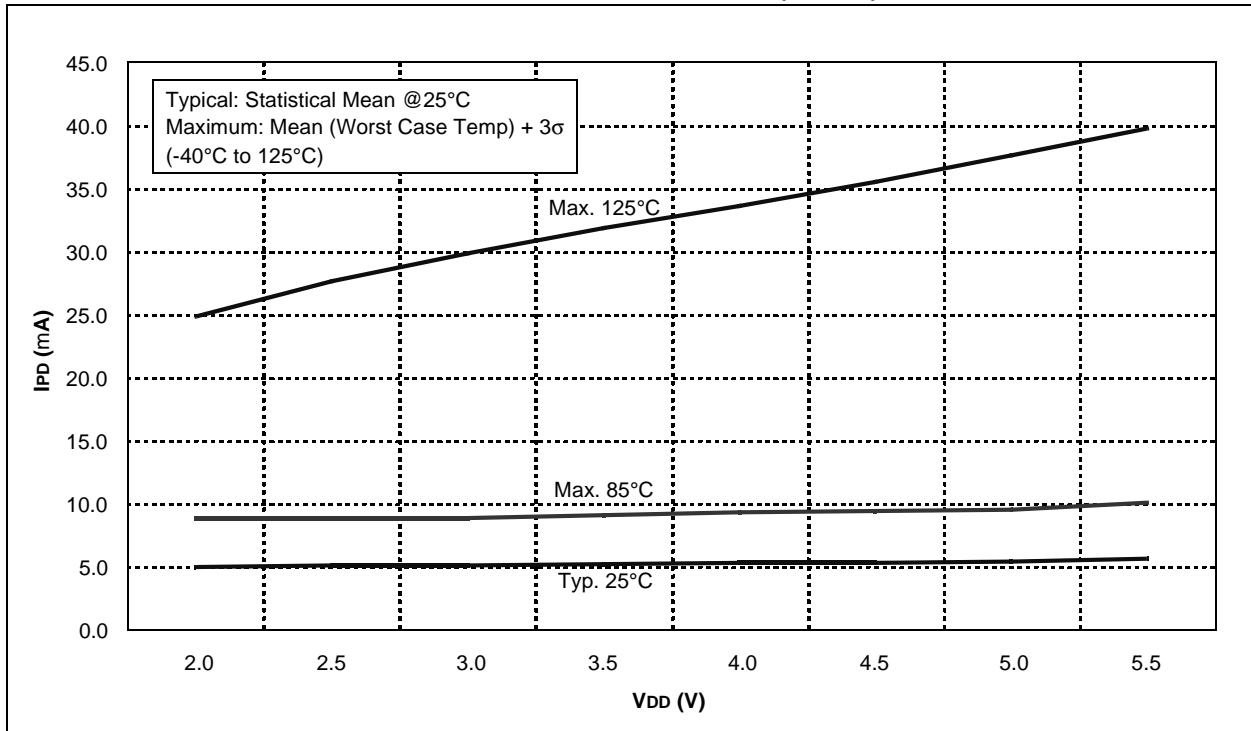
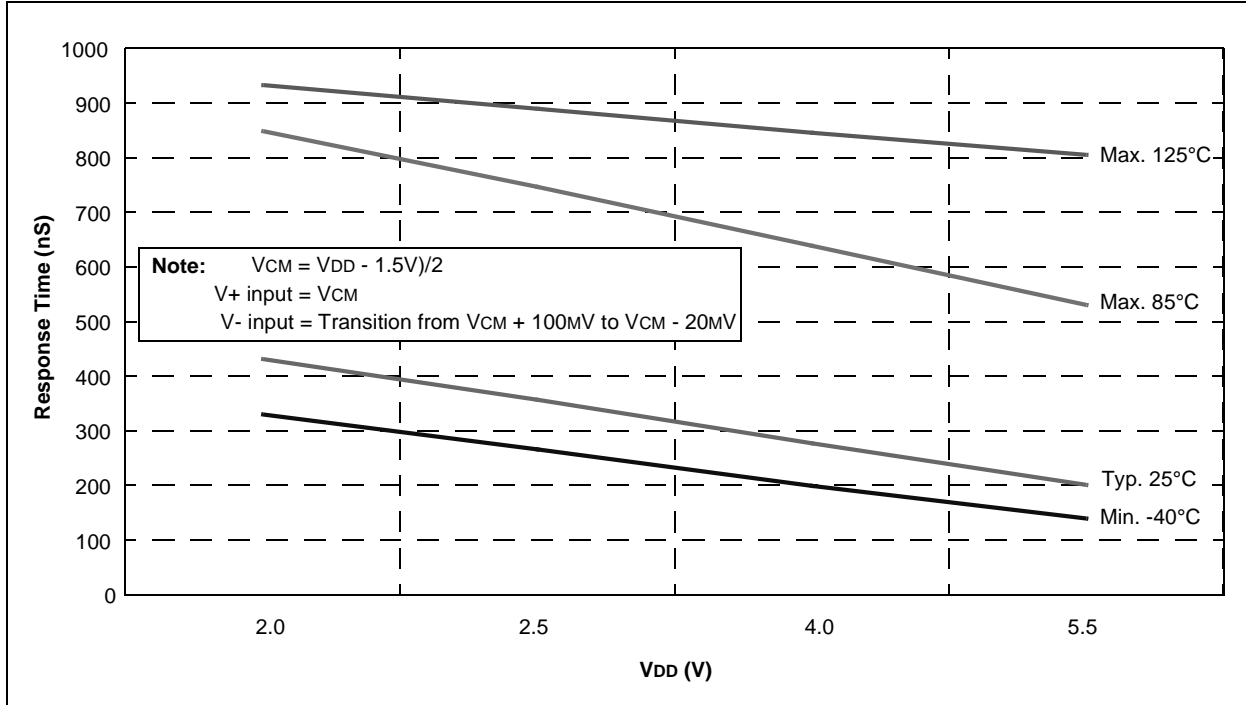


FIGURE 16-29: T1OSC  $I_{PD}$  vs.  $V_{DD}$  OVER TEMPERATURE (32 kHz)

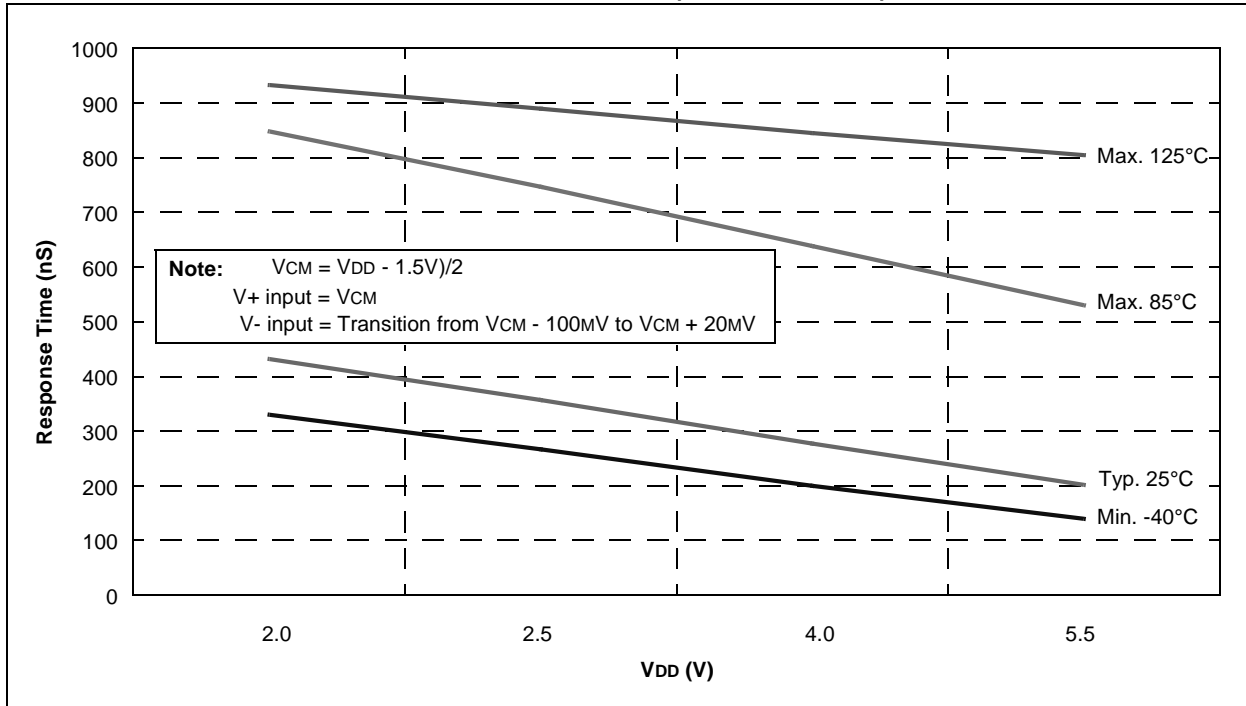


# PIC12F635/PIC16F636/639

**FIGURE 16-30: COMPARATOR RESPONSE TIME (RISING EDGE)**



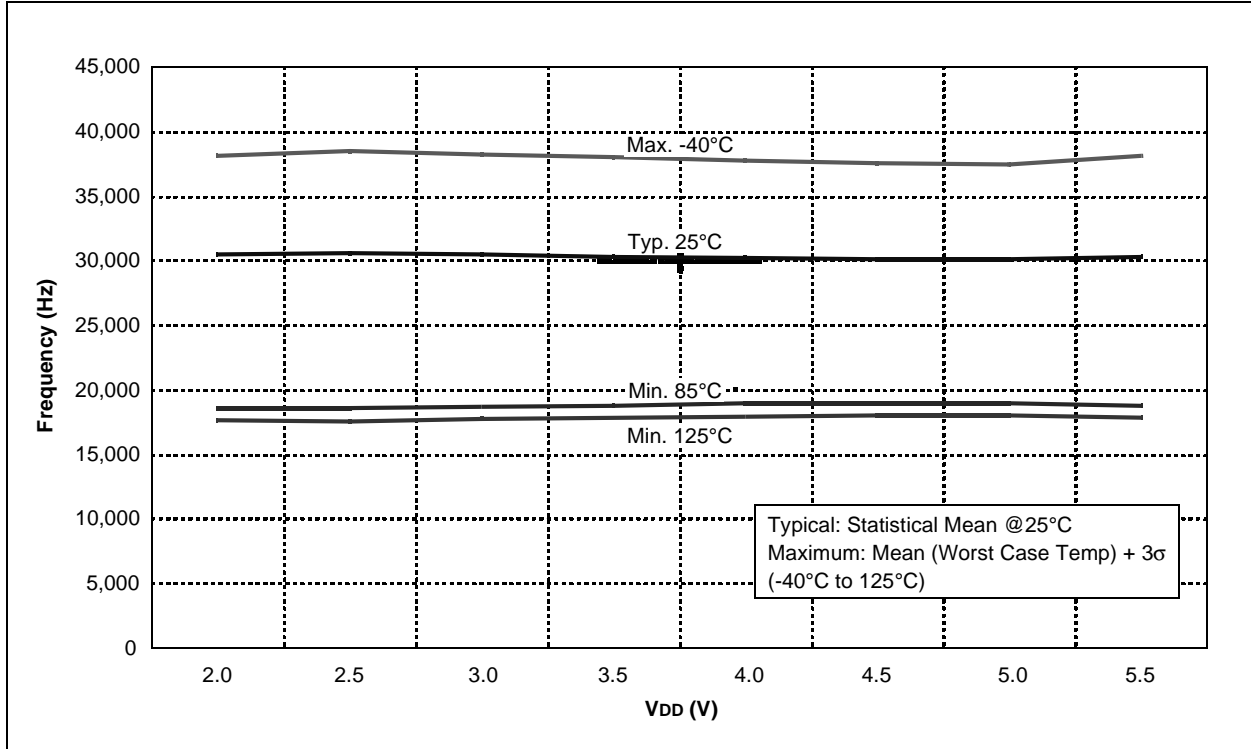
**FIGURE 16-31: COMPARATOR RESPONSE TIME (FALLING EDGE)**



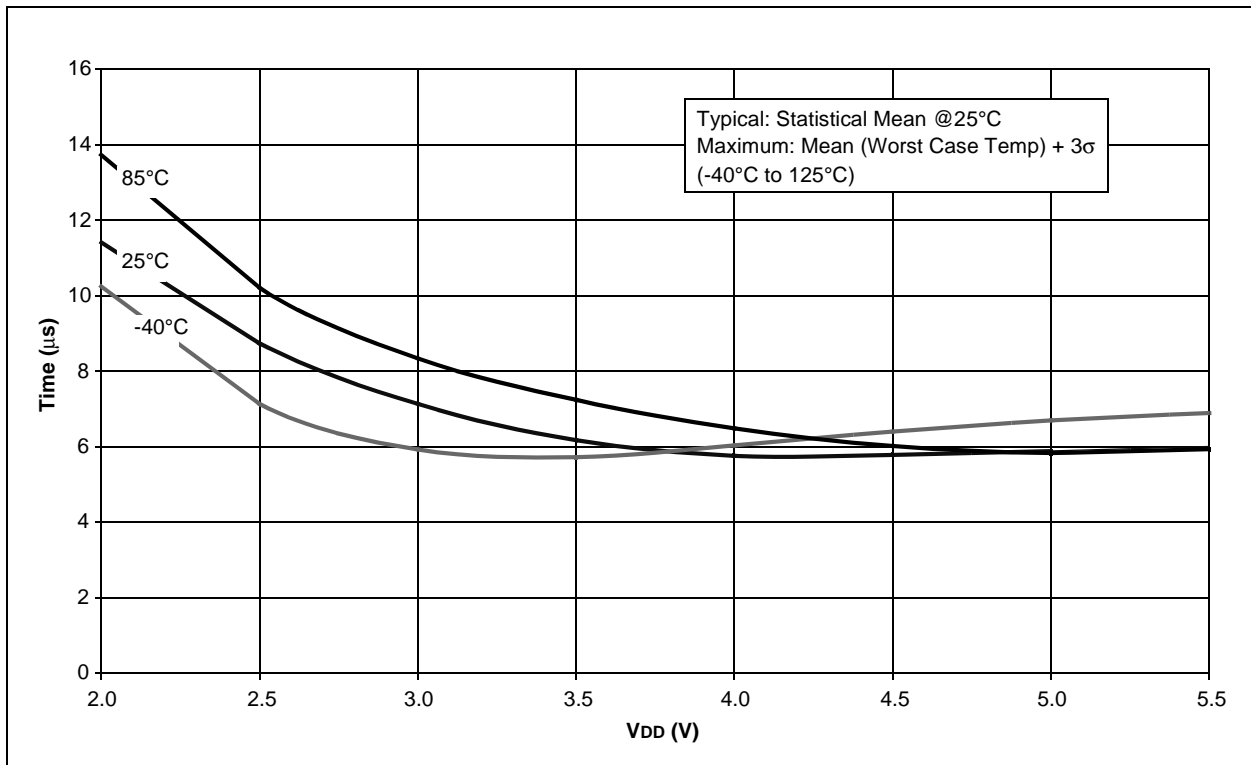


# PIC12F635/PIC16F636/639

**FIGURE 16-32: LFINTOSC FREQUENCY vs. V<sub>DD</sub> OVER TEMPERATURE (31 kHz)**



**FIGURE 16-33: TYPICAL HFINTOSC START-UP TIMES vs. V<sub>DD</sub> OVER TEMPERATURE**



# PIC12F635/PIC16F636/639

FIGURE 16-34: MAXIMUM HFINTOSC START-UP TIMES vs. VDD OVER TEMPERATURE

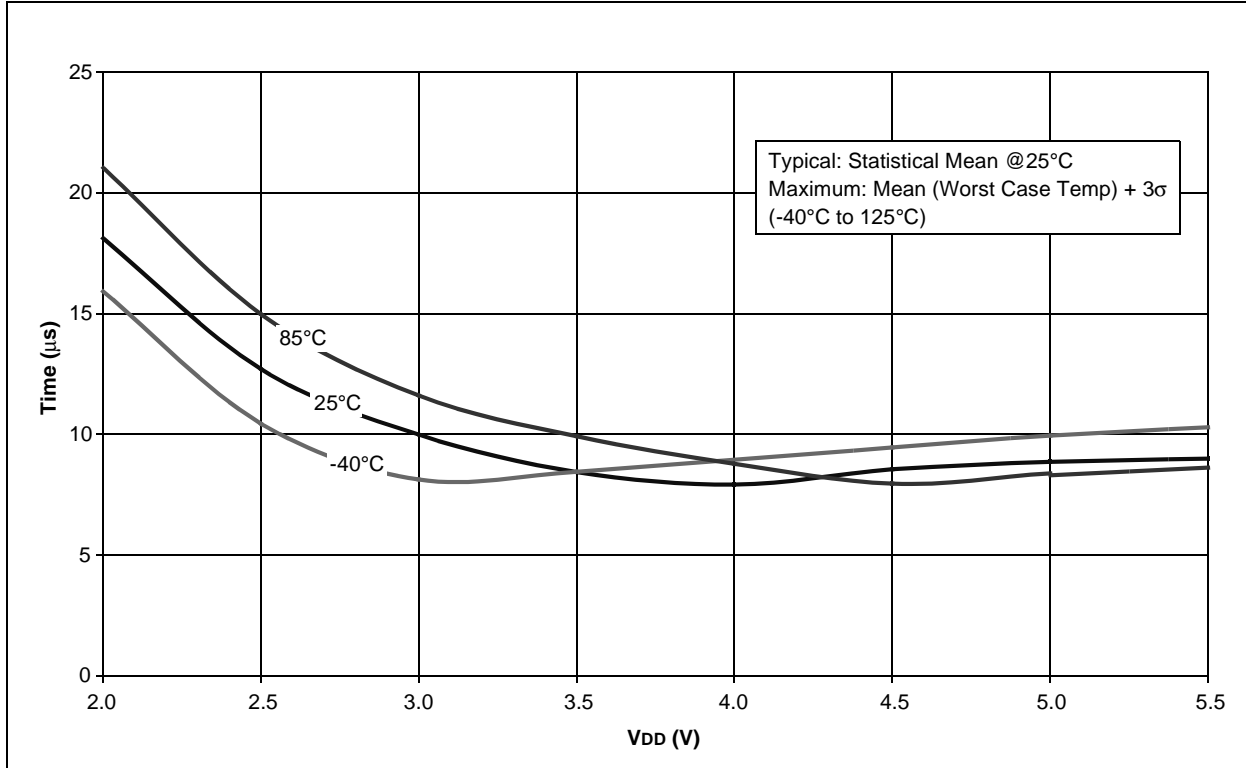
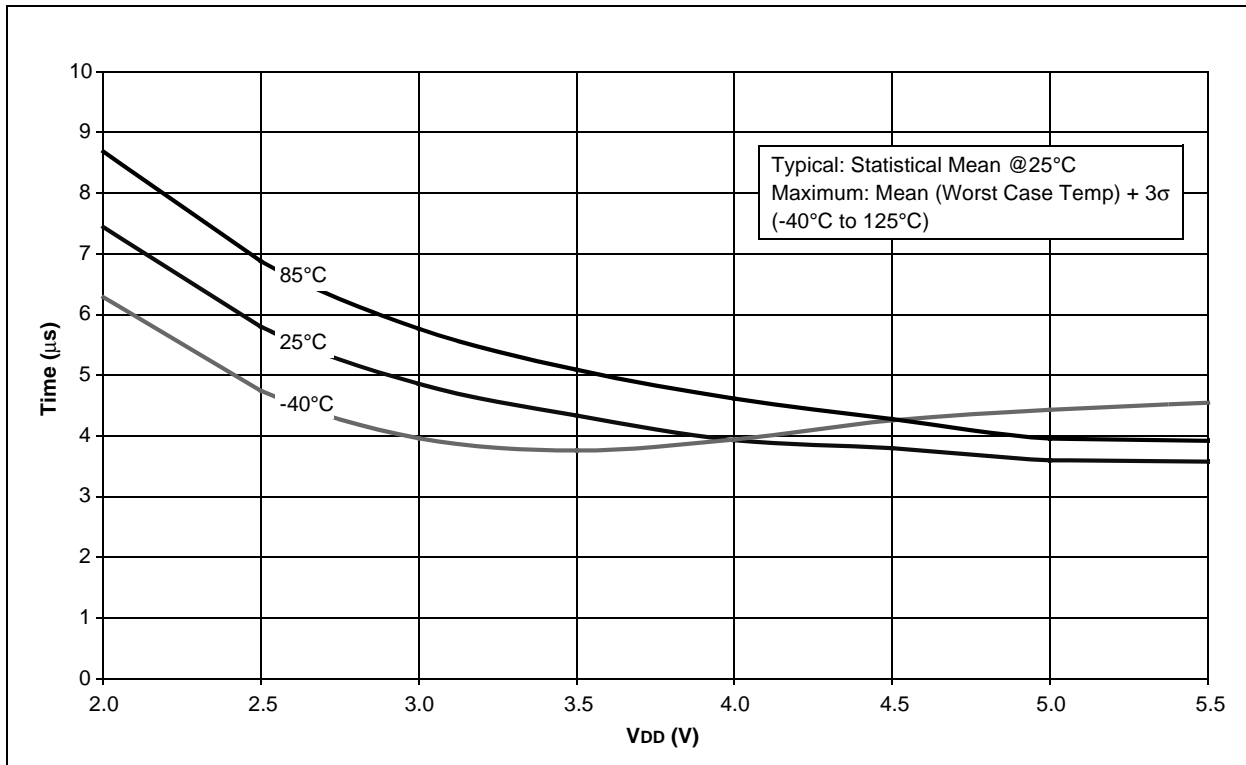


FIGURE 16-35: MINIMUM HFINTOSC START-UP TIMES vs. VDD OVER TEMPERATURE



# PIC12F635/PIC16F636/639

FIGURE 16-36: TYPICAL HFINTOSC FREQUENCY CHANGE vs. V<sub>DD</sub> (25°C)

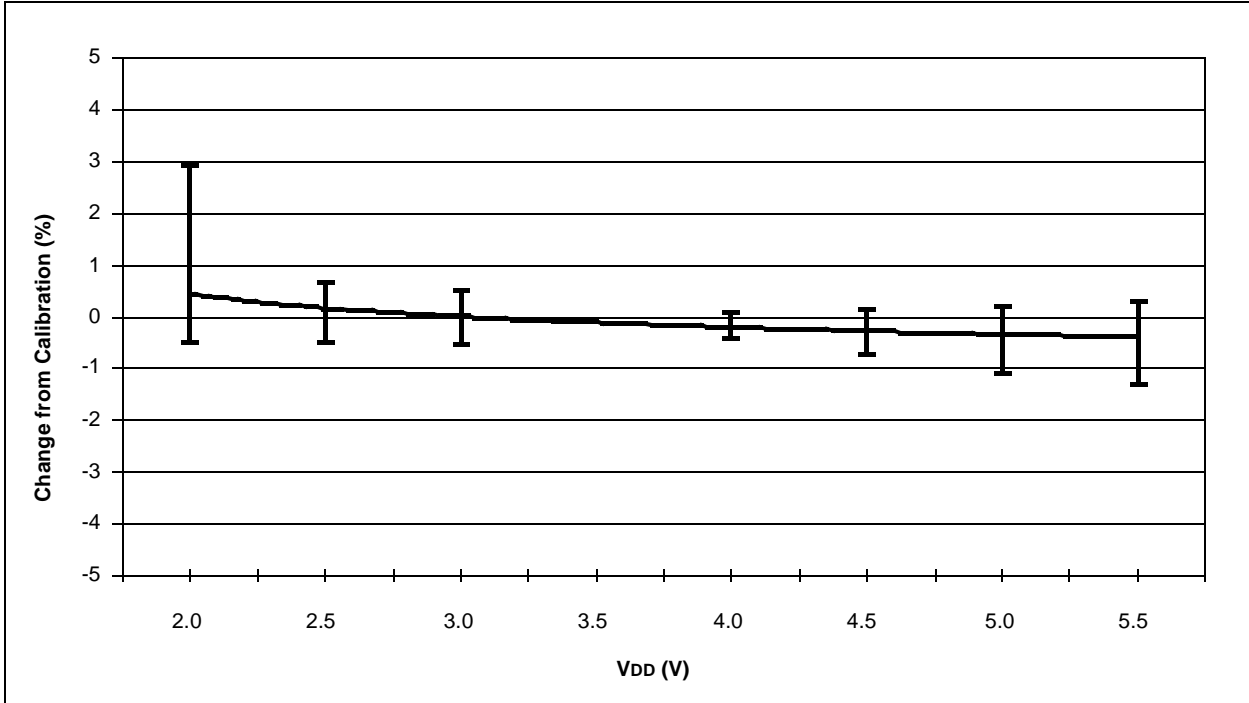
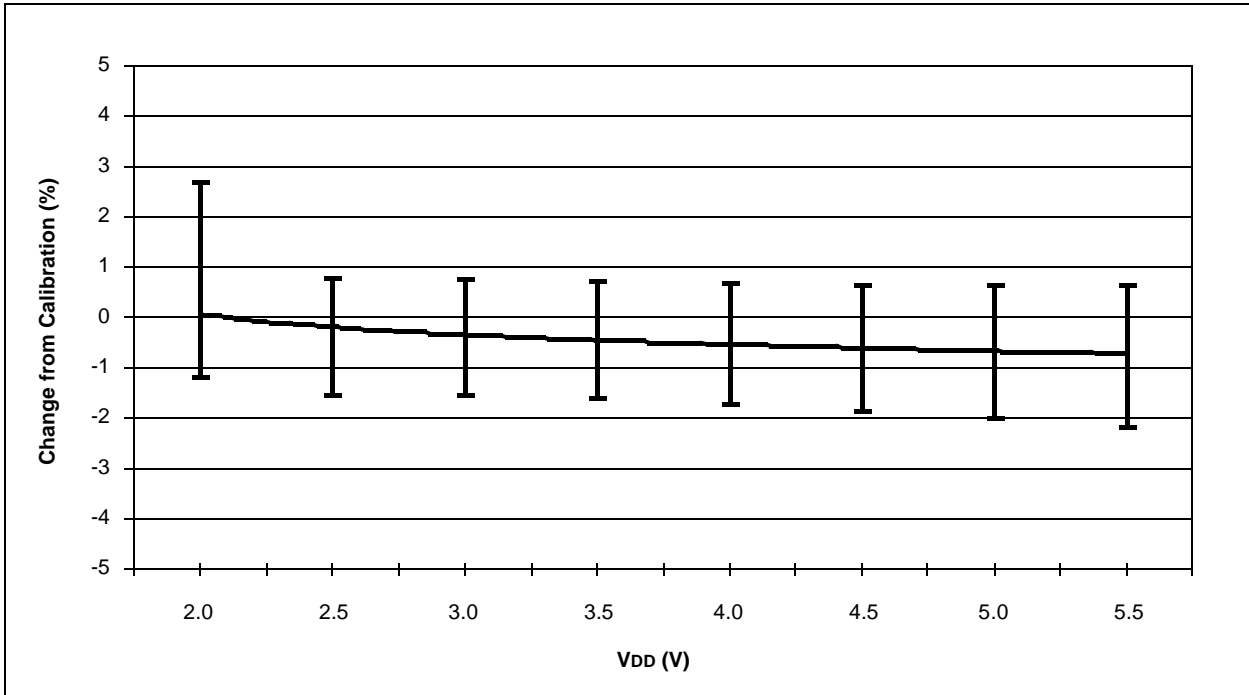


FIGURE 16-37: TYPICAL HFINTOSC FREQUENCY CHANGE OVER DEVICE V<sub>DD</sub> (85°C)



# PIC12F635/PIC16F636/639

FIGURE 16-38: TYPICAL HFINTOSC FREQUENCY CHANGE vs.  $V_{DD}$  (125°C)

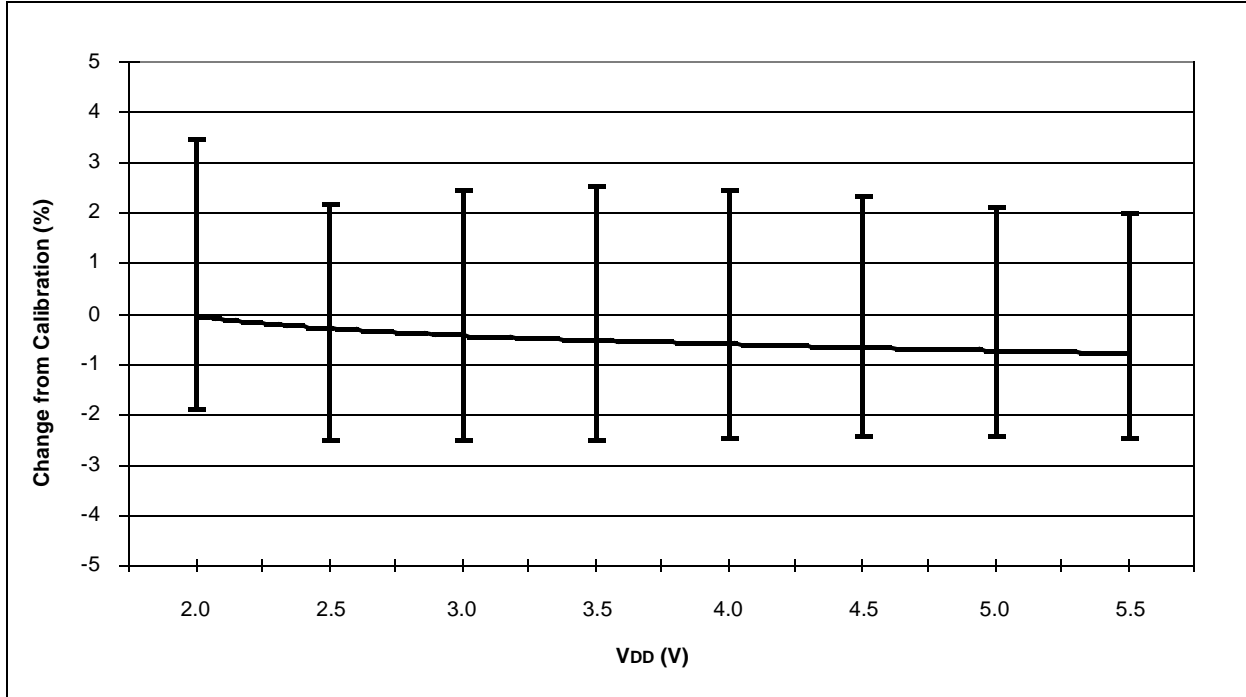
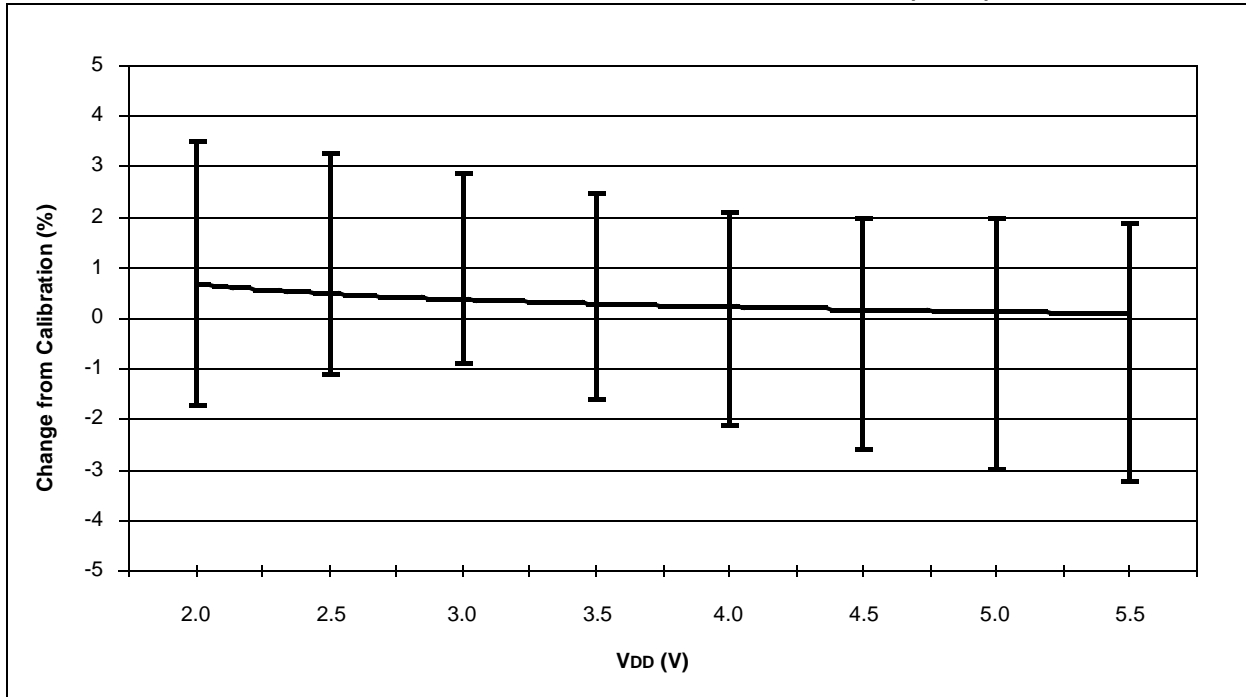


FIGURE 16-39: TYPICAL HFINTOSC FREQUENCY CHANGE vs.  $V_{DD}$  (-40°C)



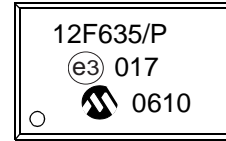
## 17.0 PACKAGING INFORMATION

### 17.1 Package Marking Information

8-Lead PDIP



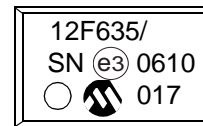
Example



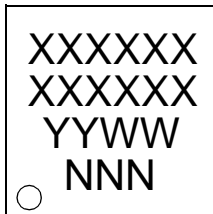
8-Lead SOIC



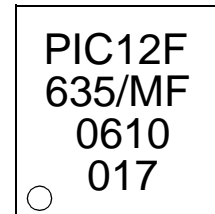
Example



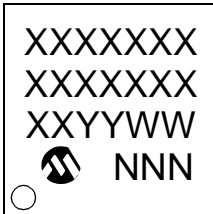
8-Lead DFN (4x4x0.9 mm)



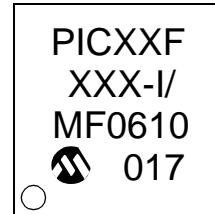
Example



8-Lead DFN-S (6x5 mm)



Example



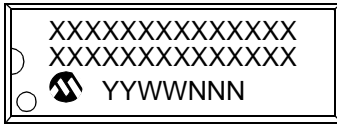
|                |   |  |
|----------------|---|--|
| <b>Legend:</b> | XX...X  | Customer-specific information  |
|                | Y   | Year code (last digit of calendar year)  |
|                | YY  | Year code (last 2 digits of calendar year)   |
|                | WW  | Week code (week of January 1 is week '01')   |
|                | NNN   | Alphanumeric traceability code   |
|                | (e3)  | Pb-free JEDEC designator for Matte Tin (Sn)  |
|                | *   | This package is Pb-free. The Pb-free JEDEC designator (e3) can be found on the outer packaging for this package. |
| <b>Note:</b>   | In the event the full Microchip part number cannot be marked on one line, it will be carried over to the next line, thus limiting the number of available characters for customer-specific information. |  |

\* Standard PIC device marking consists of Microchip part number, year code, week code and traceability code. For PIC device marking beyond this, certain price adders apply. Please check with your Microchip Sales Office. For QTP devices, any special marking adders are included in QTP price.

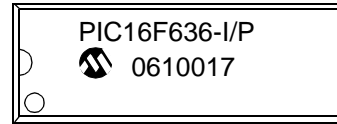
# PIC12F635/PIC16F636/639

## 17.1 Package Marking Information (Continued)

14-Lead PDIP



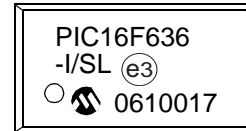
Example



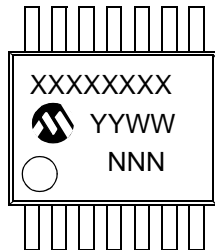
14-Lead SOIC



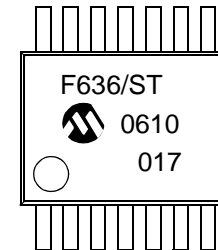
Example



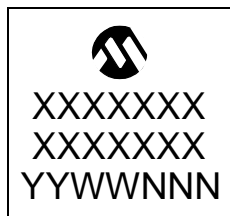
14-Lead TSSOP



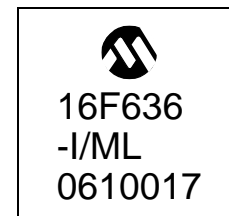
Example



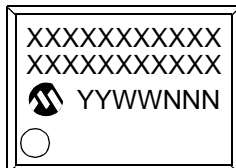
16-Lead QFN



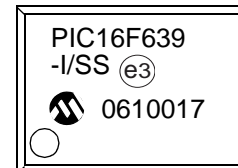
Example



20-Lead SSOP



Example



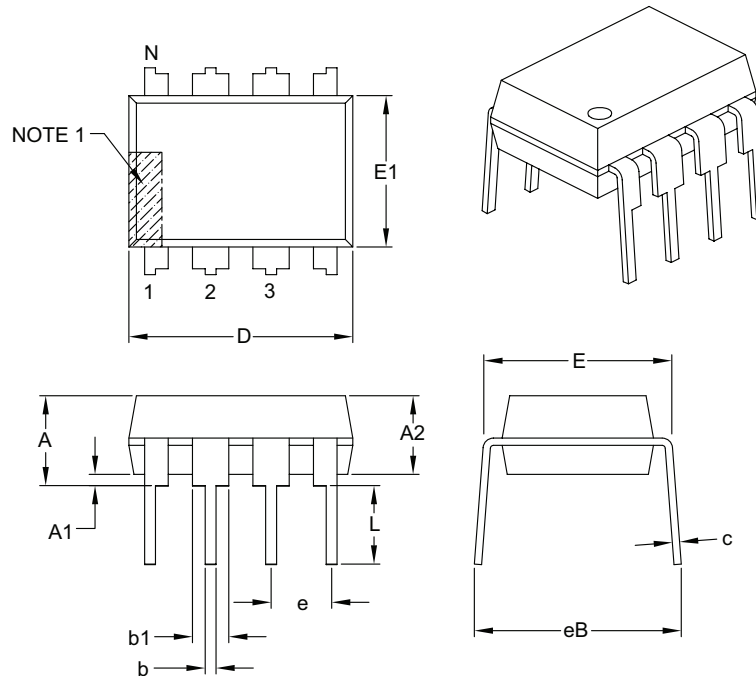
# PIC12F635/PIC16F636/639

## 17.2 Package Details

The following sections give the technical details of the packages.

### 8-Lead Plastic Dual In-Line (P or PA) – 300 mil Body [PDIP]

**Note:** For the most current package drawings, please see the Microchip Packaging Specification located at <http://www.microchip.com/packaging>



| Dimension Limits           | Units | INCHES   |      |      |
|----------------------------|-------|----------|------|------|
|                            |       | MIN      | NOM  | MAX  |
| Number of Pins             | N     | 8        |      |      |
| Pitch                      | e     | .100 BSC |      |      |
| Top to Seating Plane       | A     | –        | –    | .210 |
| Molded Package Thickness   | A2    | .115     | .130 | .195 |
| Base to Seating Plane      | A1    | .015     | –    | –    |
| Shoulder to Shoulder Width | E     | .290     | .310 | .325 |
| Molded Package Width       | E1    | .240     | .250 | .280 |
| Overall Length             | D     | .348     | .365 | .400 |
| Tip to Seating Plane       | L     | .115     | .130 | .150 |
| Lead Thickness             | c     | .008     | .010 | .015 |
| Upper Lead Width           | b1    | .040     | .060 | .070 |
| Lower Lead Width           | b     | .014     | .018 | .022 |
| Overall Row Spacing §      | eB    | –        | –    | .430 |

**Notes:**

1. Pin 1 visual index feature may vary, but must be located with the hatched area.
2. § Significant Characteristic.
3. Dimensions D and E1 do not include mold flash or protrusions. Mold flash or protrusions shall not exceed .010" per side.
4. Dimensioning and tolerancing per ASME Y14.5M.

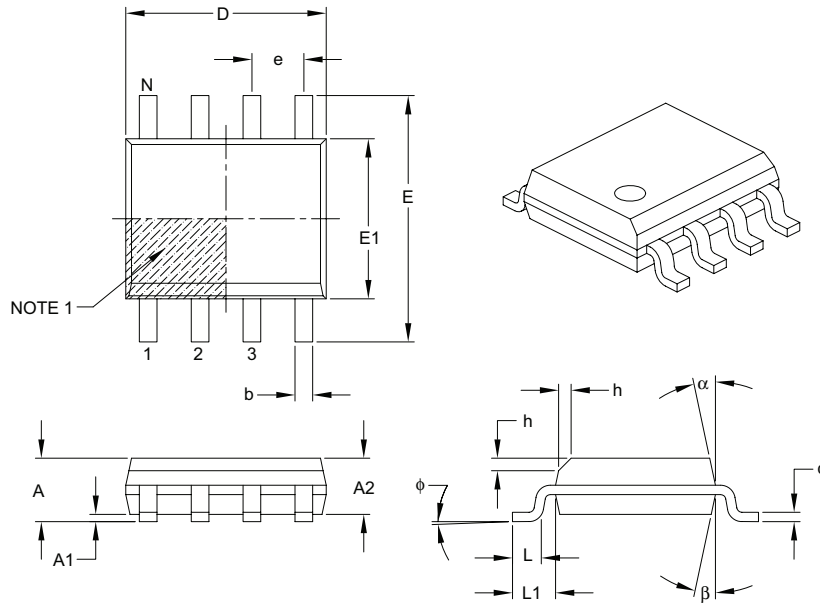
BSC: Basic Dimension. Theoretically exact value shown without tolerances.

Microchip Technology Drawing C04-018B

# PIC12F635/PIC16F636/639

## 8-Lead Plastic Small Outline (SN or OA) – Narrow, 3.90 mm Body [SOIC]

**Note:** For the most current package drawings, please see the Microchip Packaging Specification located at <http://www.microchip.com/packaging>



| Dimension Limits         | Units    | MILLIMETERS |     |      |
|--------------------------|----------|-------------|-----|------|
|                          |          | MIN         | NOM | MAX  |
| Number of Pins           | N        | 8           |     |      |
| Pitch                    | e        | 1.27 BSC    |     |      |
| Overall Height           | A        | –           | –   | 1.75 |
| Molded Package Thickness | A2       | 1.25        | –   | –    |
| Standoff §               | A1       | 0.10        | –   | 0.25 |
| Overall Width            | E        | 6.00 BSC    |     |      |
| Molded Package Width     | E1       | 3.90 BSC    |     |      |
| Overall Length           | D        | 4.90 BSC    |     |      |
| Chamfer (optional)       | h        | 0.25        | –   | 0.50 |
| Foot Length              | L        | 0.40        | –   | 1.27 |
| Footprint                | L1       | 1.04 REF    |     |      |
| Foot Angle               | $\phi$   | 0°          | –   | 8°   |
| Lead Thickness           | c        | 0.17        | –   | 0.25 |
| Lead Width               | b        | 0.31        | –   | 0.51 |
| Mold Draft Angle Top     | $\alpha$ | 5°          | –   | 15°  |
| Mold Draft Angle Bottom  | $\beta$  | 5°          | –   | 15°  |

**Notes:**

- Pin 1 visual index feature may vary, but must be located within the hatched area.
- § Significant Characteristic.
- Dimensions D and E1 do not include mold flash or protrusions. Mold flash or protrusions shall not exceed 0.15 mm per side.
- Dimensioning and tolerancing per ASME Y14.5M.

BSC: Basic Dimension. Theoretically exact value shown without tolerances.

REF: Reference Dimension, usually without tolerance, for information purposes only.

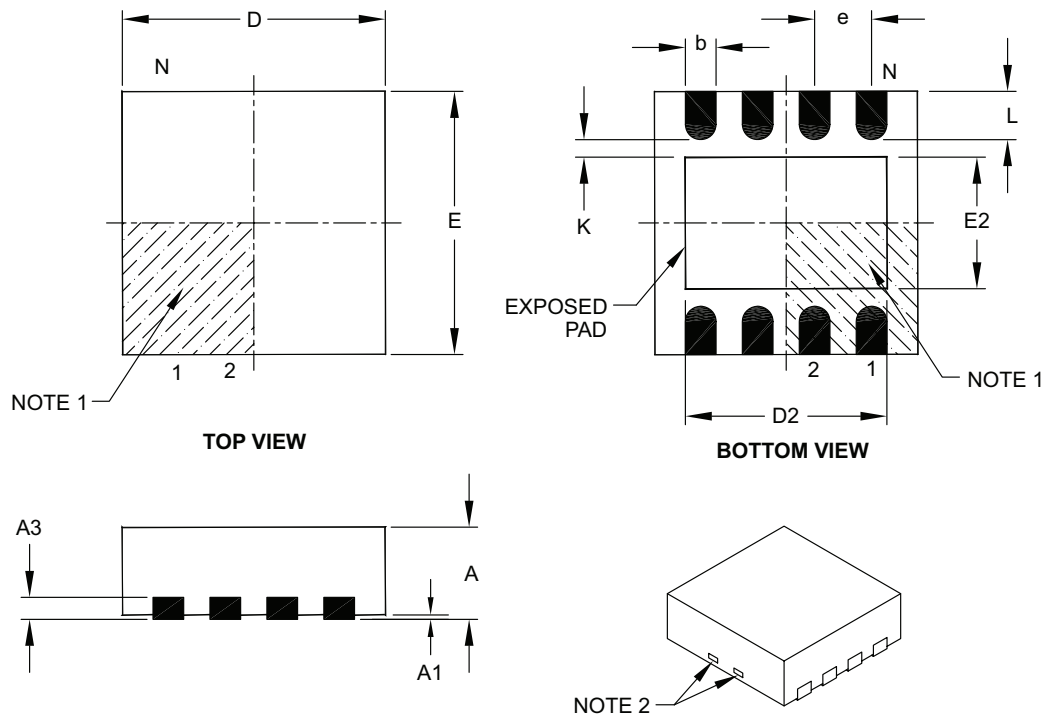
Microchip Technology Drawing C04-057B



# PIC12F635/PIC16F636/639

## 8-Lead Plastic Dual Flat, No Lead Package (MD) – 4x4x0.9 mm Body [DFN]

**Note:** For the most current package drawings, please see the Microchip Packaging Specification located at <http://www.microchip.com/packaging>



| Dimension Limits       | Units | MILLIMETERS |      |      |
|------------------------|-------|-------------|------|------|
|                        |       | MIN         | NOM  | MAX  |
| Number of Pins         | N     | 8           |      |      |
| Pitch                  | e     | 0.80 BSC    |      |      |
| Overall Height         | A     | 0.80        | 0.90 | 1.00 |
| Standoff               | A1    | 0.00        | 0.02 | 0.05 |
| Contact Thickness      | A3    | 0.20 REF    |      |      |
| Overall Length         | D     | 4.00 BSC    |      |      |
| Exposed Pad Width      | E2    | 0.00        | 2.20 | 2.80 |
| Overall Width          | E     | 4.00 BSC    |      |      |
| Exposed Pad Length     | D2    | 0.00        | 3.00 | 3.60 |
| Contact Width          | b     | 0.25        | 0.30 | 0.35 |
| Contact Length         | L     | 0.30        | 0.55 | 0.65 |
| Contact-to-Exposed Pad | K     | 0.20        | –    | –    |

### Notes:

- Pin 1 visual index feature may vary, but must be located within the hatched area.
- Package may have one or more exposed tie bars at ends.
- Package is saw singulated.
- Dimensioning and tolerancing per ASME Y14.5M.

BSC: Basic Dimension. Theoretically exact value shown without tolerances.

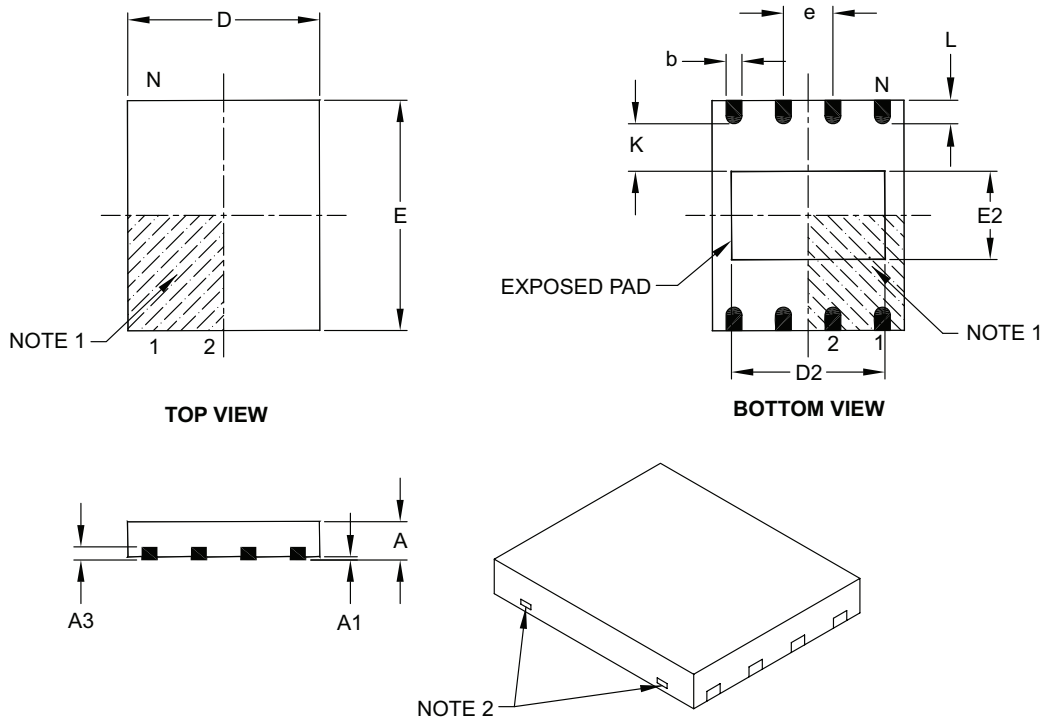
REF: Reference Dimension, usually without tolerance, for information purposes only.

Microchip Technology Drawing C04-131C

# PIC12F635/PIC16F636/639

## 8-Lead Plastic Dual Flat, No Lead Package (MF) – 6x5 mm Body [DFN-S]

**Note:** For the most current package drawings, please see the Microchip Packaging Specification located at <http://www.microchip.com/packaging>



| Dimension Limits       | Units | MILLIMETERS |      |      |
|------------------------|-------|-------------|------|------|
|                        |       | MIN         | NOM  | MAX  |
| Number of Pins         | N     | 8           |      |      |
| Pitch                  | e     | 1.27 BSC    |      |      |
| Overall Height         | A     | 0.80        | 0.85 | 1.00 |
| Standoff               | A1    | 0.00        | 0.01 | 0.05 |
| Contact Thickness      | A3    | 0.20 REF    |      |      |
| Overall Length         | D     | 5.00 BSC    |      |      |
| Overall Width          | E     | 6.00 BSC    |      |      |
| Exposed Pad Length     | D2    | 3.90        | 4.00 | 4.10 |
| Exposed Pad Width      | E2    | 2.20        | 2.30 | 2.40 |
| Contact Width          | b     | 0.35        | 0.40 | 0.48 |
| Contact Length         | L     | 0.50        | 0.60 | 0.75 |
| Contact-to-Exposed Pad | K     | 0.20        | –    | –    |

**Notes:**

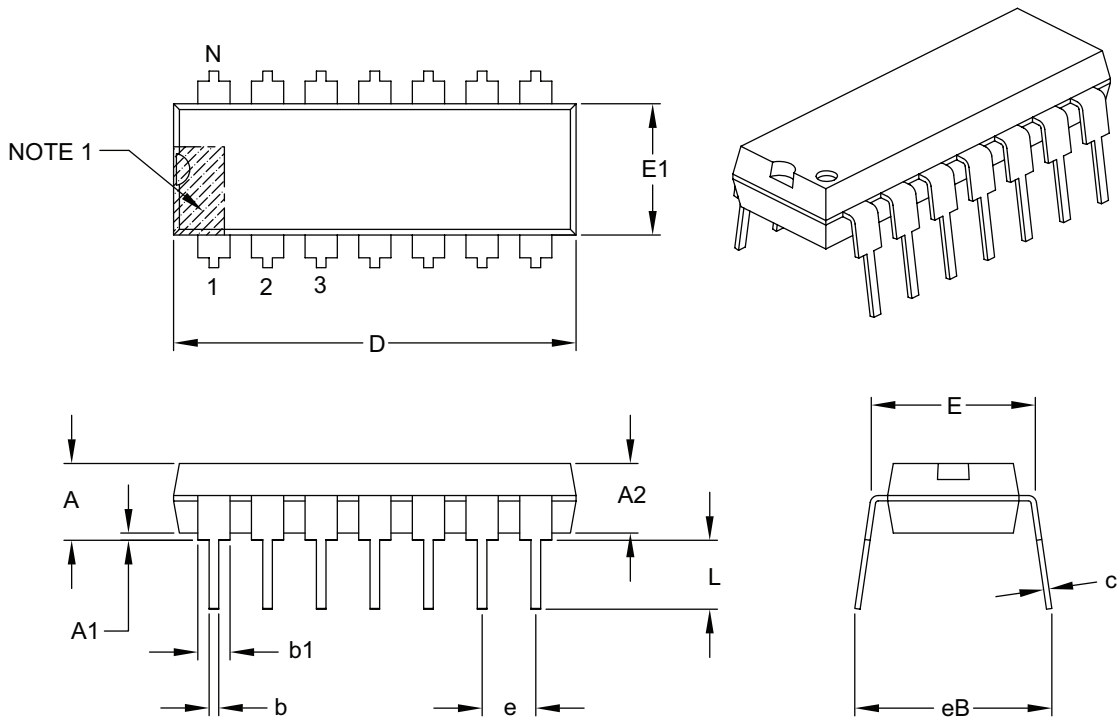
- Pin 1 visual index feature may vary, but must be located within the hatched area.
- Package may have one or more exposed tie bars at ends.
- Package is saw singulated.
- Dimensioning and tolerancing per ASME Y14.5M.
  - BSC: Basic Dimension. Theoretically exact value shown without tolerances.
  - REF: Reference Dimension, usually without tolerance, for information purposes only.

Microchip Technology Drawing C04-122B

# PIC12F635/PIC16F636/639

## 14-Lead Plastic Dual In-Line (P or PD) – 300 mil Body [PDIP]

**Note:** For the most current package drawings, please see the Microchip Packaging Specification located at <http://www.microchip.com/packaging>



| Dimension Limits           | Units | INCHES   |      |      |
|----------------------------|-------|----------|------|------|
|                            |       | MIN      | NOM  | MAX  |
| Number of Pins             | N     | 14       |      |      |
| Pitch                      | e     | .100 BSC |      |      |
| Top to Seating Plane       | A     | –        | –    | .210 |
| Molded Package Thickness   | A2    | .115     | .130 | .195 |
| Base to Seating Plane      | A1    | .015     | –    | –    |
| Shoulder to Shoulder Width | E     | .290     | .310 | .325 |
| Molded Package Width       | E1    | .240     | .250 | .280 |
| Overall Length             | D     | .735     | .750 | .775 |
| Tip to Seating Plane       | L     | .115     | .130 | .150 |
| Lead Thickness             | c     | .008     | .010 | .015 |
| Upper Lead Width           | b1    | .045     | .060 | .070 |
| Lower Lead Width           | b     | .014     | .018 | .022 |
| Overall Row Spacing §      | eB    | –        | –    | .430 |

**Notes:**

- Pin 1 visual index feature may vary, but must be located with the hatched area.
- § Significant Characteristic.
- Dimensions D and E1 do not include mold flash or protrusions. Mold flash or protrusions shall not exceed .010" per side.
- Dimensioning and tolerancing per ASME Y14.5M.

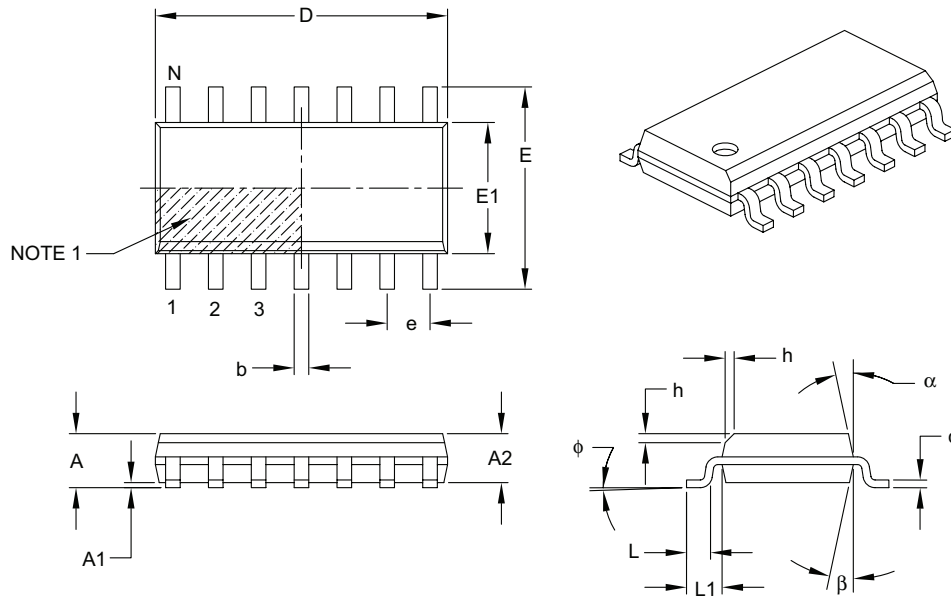
BSC: Basic Dimension. Theoretically exact value shown without tolerances.

Microchip Technology Drawing C04-005B

# PIC12F635/PIC16F636/639

## 14-Lead Plastic Small Outline (SL or OD) – Narrow, 3.90 mm Body [SOIC]

**Note:** For the most current package drawings, please see the Microchip Packaging Specification located at <http://www.microchip.com/packaging>



| Dimension Limits         | Units    | MILLIMETERS |     |      |
|--------------------------|----------|-------------|-----|------|
|                          |          | MIN         | NOM | MAX  |
| Number of Pins           | N        | 14          |     |      |
| Pitch                    | e        | 1.27 BSC    |     |      |
| Overall Height           | A        | –           | –   | 1.75 |
| Molded Package Thickness | A2       | 1.25        | –   | –    |
| Standoff §               | A1       | 0.10        | –   | 0.25 |
| Overall Width            | E        | 6.00 BSC    |     |      |
| Molded Package Width     | E1       | 3.90 BSC    |     |      |
| Overall Length           | D        | 8.65 BSC    |     |      |
| Chamfer (optional)       | h        | 0.25        | –   | 0.50 |
| Foot Length              | L        | 0.40        | –   | 1.27 |
| Footprint                | L1       | 1.04 REF    |     |      |
| Foot Angle               | $\phi$   | 0°          | –   | 8°   |
| Lead Thickness           | c        | 0.17        | –   | 0.25 |
| Lead Width               | b        | 0.31        | –   | 0.51 |
| Mold Draft Angle Top     | $\alpha$ | 5°          | –   | 15°  |
| Mold Draft Angle Bottom  | $\beta$  | 5°          | –   | 15°  |

**Notes:**

- Pin 1 visual index feature may vary, but must be located within the hatched area.
- § Significant Characteristic.
- Dimensions D and E1 do not include mold flash or protrusions. Mold flash or protrusions shall not exceed 0.15 mm per side.
- Dimensioning and tolerancing per ASME Y14.5M.

BSC: Basic Dimension. Theoretically exact value shown without tolerances.

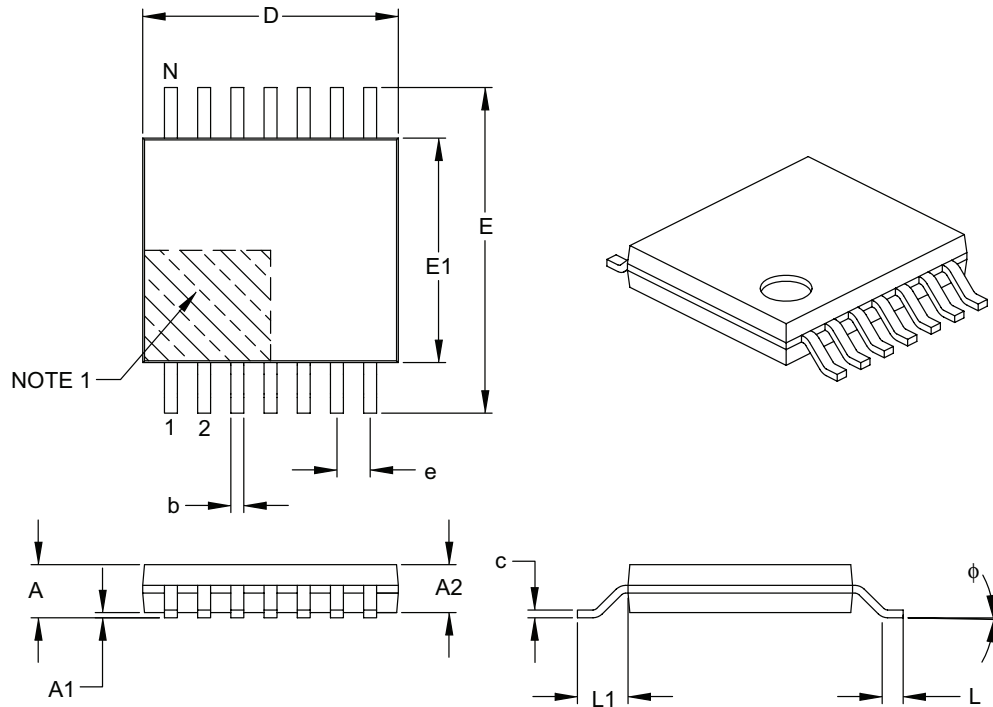
REF: Reference Dimension, usually without tolerance, for information purposes only.

Microchip Technology Drawing C04-065B

# PIC12F635/PIC16F636/639

## 14-Lead Plastic Thin Shrink Small Outline (ST) – 4.4 mm Body [TSSOP]

**Note:** For the most current package drawings, please see the Microchip Packaging Specification located at <http://www.microchip.com/packaging>



| Dimension Limits         | Units  | MILLIMETERS |      |      |
|--------------------------|--------|-------------|------|------|
|                          |        | MIN         | NOM  | MAX  |
| Number of Pins           | N      | 14          |      |      |
| Pitch                    | e      | 0.65 BSC    |      |      |
| Overall Height           | A      | –           | –    | 1.20 |
| Molded Package Thickness | A2     | 0.80        | 1.00 | 1.05 |
| Standoff                 | A1     | 0.05        | –    | 0.15 |
| Overall Width            | E      | 6.40 BSC    |      |      |
| Molded Package Width     | E1     | 4.30        | 4.40 | 4.50 |
| Molded Package Length    | D      | 4.90        | 5.00 | 5.10 |
| Foot Length              | L      | 0.45        | 0.60 | 0.75 |
| Footprint                | L1     | 1.00 REF    |      |      |
| Foot Angle               | $\phi$ | 0°          | –    | 8°   |
| Lead Thickness           | c      | 0.09        | –    | 0.20 |
| Lead Width               | b      | 0.19        | –    | 0.30 |

**Notes:**

- Pin 1 visual index feature may vary, but must be located within the hatched area.
- Dimensions D and E1 do not include mold flash or protrusions. Mold flash or protrusions shall not exceed 0.15 mm per side.
- Dimensioning and tolerancing per ASME Y14.5M.

BSC: Basic Dimension. Theoretically exact value shown without tolerances.

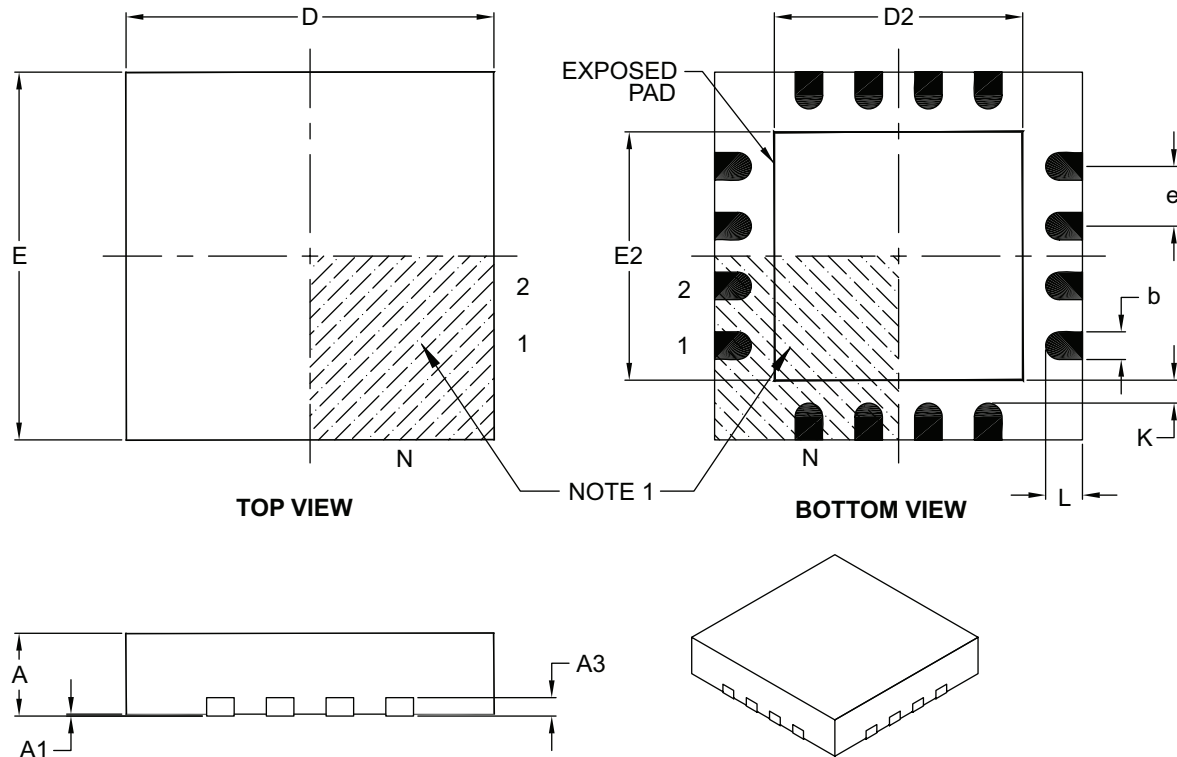
REF: Reference Dimension, usually without tolerance, for information purposes only.

Microchip Technology Drawing C04-087B

# PIC12F635/PIC16F636/639

## 16-Lead Plastic Quad Flat, No Lead Package (ML) – 4x4x0.9 mm Body [QFN]

**Note:** For the most current package drawings, please see the Microchip Packaging Specification located at <http://www.microchip.com/packaging>



| Dimension Limits       | Units | MILLIMETERS |      |      |
|------------------------|-------|-------------|------|------|
|                        |       | MIN         | NOM  | MAX  |
| Number of Pins         | N     | 16          |      |      |
| Pitch                  | e     | 0.65 BSC    |      |      |
| Overall Height         | A     | 0.80        | 0.90 | 1.00 |
| Standoff               | A1    | 0.00        | 0.02 | 0.05 |
| Contact Thickness      | A3    | 0.20 REF    |      |      |
| Overall Width          | E     | 4.00 BSC    |      |      |
| Exposed Pad Width      | E2    | 2.50        | 2.65 | 2.80 |
| Overall Length         | D     | 4.00 BSC    |      |      |
| Exposed Pad Length     | D2    | 2.50        | 2.65 | 2.80 |
| Contact Width          | b     | 0.25        | 0.30 | 0.35 |
| Contact Length         | L     | 0.30        | 0.40 | 0.50 |
| Contact-to-Exposed Pad | K     | 0.20        | -    | -    |

**Notes:**

- Pin 1 visual index feature may vary, but must be located within the hatched area.
- Package is saw singulated.
- Dimensioning and tolerancing per ASME Y14.5M.

BSC: Basic Dimension. Theoretically exact value shown without tolerances.

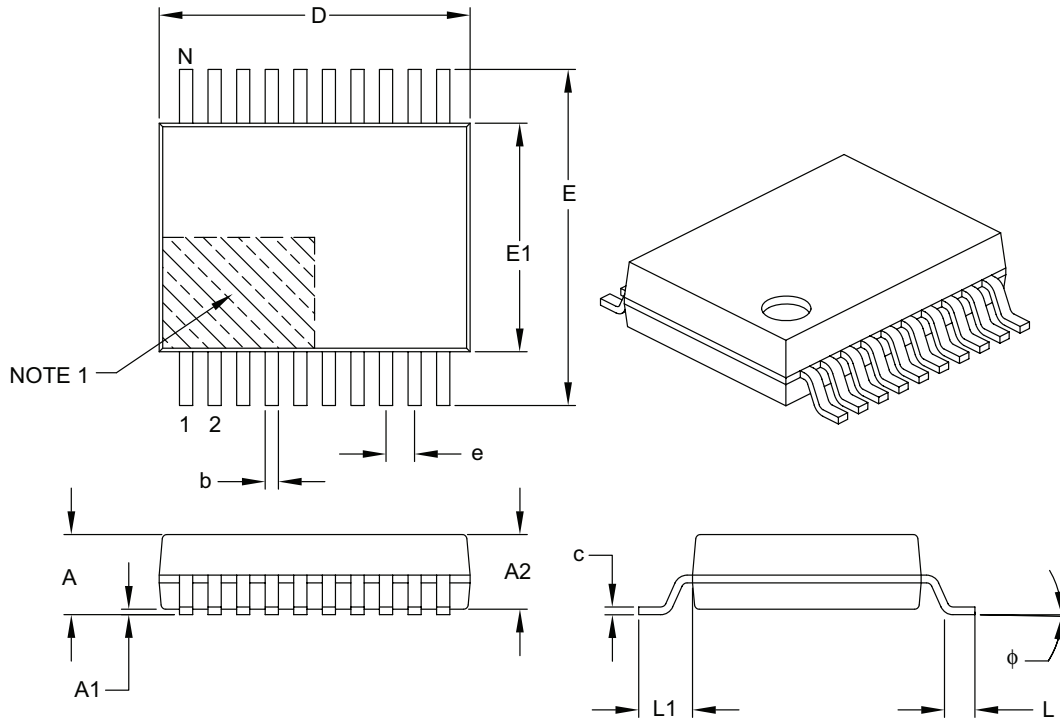
REF: Reference Dimension, usually without tolerance, for information purposes only.

Microchip Technology Drawing C04-127B

# PIC12F635/PIC16F636/639

## 20-Lead Plastic Shrink Small Outline (SS) – 5.30 mm Body [SSOP]

**Note:** For the most current package drawings, please see the Microchip Packaging Specification located at <http://www.microchip.com/packaging>



| Dimension Limits         | Units  | MILLIMETERS |      |      |
|--------------------------|--------|-------------|------|------|
|                          |        | MIN         | NOM  | MAX  |
| Number of Pins           | N      | 20          |      |      |
| Pitch                    | e      | 0.65 BSC    |      |      |
| Overall Height           | A      | –           | –    | 2.00 |
| Molded Package Thickness | A2     | 1.65        | 1.75 | 1.85 |
| Standoff                 | A1     | 0.05        | –    | –    |
| Overall Width            | E      | 7.40        | 7.80 | 8.20 |
| Molded Package Width     | E1     | 5.00        | 5.30 | 5.60 |
| Overall Length           | D      | 6.90        | 7.20 | 7.50 |
| Foot Length              | L      | 0.55        | 0.75 | 0.95 |
| Footprint                | L1     | 1.25 REF    |      |      |
| Lead Thickness           | c      | 0.09        | –    | 0.25 |
| Foot Angle               | $\phi$ | 0°          | 4°   | 8°   |
| Lead Width               | b      | 0.22        | –    | 0.38 |

**Notes:**

- Pin 1 visual index feature may vary, but must be located within the hatched area.
- Dimensions D and E1 do not include mold flash or protrusions. Mold flash or protrusions shall not exceed 0.20 mm per side.
- Dimensioning and tolerancing per ASME Y14.5M.

BSC: Basic Dimension. Theoretically exact value shown without tolerances.

REF: Reference Dimension, usually without tolerance, for information purposes only.

Microchip Technology Drawing C04-072B

# PIC12F635/PIC16F636/639

---

NOTES:



## THE MICROCHIP WEB SITE

Microchip provides online support via our WWW site at [www.microchip.com](http://www.microchip.com). This web site is used as a means to make files and information easily available to customers. Accessible by using your favorite Internet browser, the web site contains the following information:

- **Product Support** – Data sheets and errata, application notes and sample programs, design resources, user's guides and hardware support documents, latest software releases and archived software
- **General Technical Support** – Frequently Asked Questions (FAQ), technical support requests, online discussion groups, Microchip consultant program member listing
- **Business of Microchip** – Product selector and ordering guides, latest Microchip press releases, listing of seminars and events, listings of Microchip sales offices, distributors and factory representatives

## CUSTOMER CHANGE NOTIFICATION SERVICE

Microchip's customer notification service helps keep customers current on Microchip products. Subscribers will receive e-mail notification whenever there are changes, updates, revisions or errata related to a specified product family or development tool of interest.

To register, access the Microchip web site at [www.microchip.com](http://www.microchip.com), click on Customer Change Notification and follow the registration instructions.

## CUSTOMER SUPPORT

Users of Microchip products can receive assistance through several channels:

- Distributor or Representative
- Local Sales Office
- Field Application Engineer (FAE)
- Technical Support
- Development Systems Information Line

Customers should contact their distributor, representative or field application engineer (FAE) for support. Local sales offices are also available to help customers. A listing of sales offices and locations is included in the back of this document.

**Technical support is available through the web site at: <http://support.microchip.com>**

# PIC12F635/PIC16F636/639

---

---

## READER RESPONSE

It is our intention to provide you with the best documentation possible to ensure successful use of your Microchip product. If you wish to provide your comments on organization, clarity, subject matter, and ways in which our documentation can better serve you, please FAX your comments to the Technical Publications Manager at (480) 792-4150.

Please list the following information, and use this outline to provide us with your comments about this document.

To: Technical Publications Manager  
RE: Reader Response  
Total Pages Sent \_\_\_\_\_

From: Name \_\_\_\_\_  
Company \_\_\_\_\_  
Address \_\_\_\_\_  
City / State / ZIP / Country \_\_\_\_\_  
Telephone: (\_\_\_\_\_) \_\_\_\_\_ - \_\_\_\_\_ FAX: (\_\_\_\_\_) \_\_\_\_\_ - \_\_\_\_\_

Application (optional):

Would you like a reply? \_\_\_Y \_\_\_N

Device: PIC12F635/PIC16F636/639 Literature Number: DS41232D

Questions:

1. What are the best features of this document?

---

---

2. How does this document meet your hardware and software development needs?

---

---

3. Do you find the organization of this document easy to follow? If not, why?

---

---

4. What additions to the document do you think would enhance the structure and subject?

---

---

5. What deletions from the document could be made without affecting the overall usefulness?

---

---

6. Is there any incorrect or misleading information (what and where)?

---

---

7. How would you improve this document?

---

---

## APPENDIX A: DATA SHEET REVISION HISTORY

### Revision A

This is a new data sheet.

### Revision B

Added PIC16F639 to the data sheet.

### Revision C (12/2006)

Added Characterization data; Updated Package Drawings; Added Comparator Voltage Reference section.

### Revision D (03/2007)

Replaced Package Drawings (Rev. AM); Replaced Development Support Section. Updated Product ID System.

# PIC12F635/PIC16F636/639

---

NOTES:

# PIC12F635/PIC16F636/639

## INDEX

### A

|  |             |
|--|-------------|
| Absolute Maximum Ratings .....                     | 163         |
| AC Characteristics                                 |             |
| Analog Front-End (AFE) for PIC16F639 .....         | 187         |
| Industrial and Extended .....                      | 179         |
| Load Conditions .....                              | 178         |
| AGC Settling .....                                 | 99          |
| Analog Front-End                                   |             |
| Configuration Registers                            |             |
| Summary Table .....                                | 123         |
| Analog Front-End (AFE) .....                       | 97          |
| A/D Data Conversion of RSSI Signal .....           | 118         |
| AFE Status Register Bit Condition .....            | 127         |
| AGC .....  | 98, 99, 106 |
| AGC Preserve .....                                 | 106         |
| Battery Back-up and Batteryless Operation .....    | 110         |
| Block Diagrams                                     |             |
| Bidirectional PKE System Application Example ..... | 102         |
| Functional .....                                   | 100         |
| LC Input Path .....                                | 101         |
| Output Enable Filter Timing .....                  | 103         |
| Output Enable Filter Timing (Detailed) .....       | 104         |
| Carrier Clock Detector .....                       | 98          |
| Carrier Clock Output .....                         | 114         |
| Examples .....                                     | 115         |
| Command Decoder/Controller .....                   | 121         |
| Configuration Registers .....                      | 122         |
| Data Slicer .....                                  | 98          |
| Demodulator .....                                  | 98, 111     |
| De-Q'ing of Antenna Circuit .....                  | 110         |
| Error Detection .....                              | 109         |
| Factory Calibration .....                          | 110         |
| Fixed Gain Amplifiers .....                        | 98          |
| Input Sensitivity Control .....                    | 105         |
| LF Field Powering/Battery Back-up                  |             |
| Examples .....                                     | 110         |
| LFDATA Output Selection .....                      | 111         |
| Case I .....                                       | 112         |
| Case II .....                                      | 112         |
| Low Current Modes                                  |             |
| Operating .....                                    | 109         |
| Sleep .....  | 109         |
| Standby .....                                      | 109         |
| Modulation Circuit .....                           | 97          |
| Modulation Depth .....                             | 107         |
| Examples .....                                     | 108         |
| Output Enable Filter .....                         | 98          |
| Configurable Smart .....                           | 103         |
| Output Enable Filter Timing (Table) .....          | 105         |
| Power-on Reset .....                               | 111         |
| RF Limiter .....                                   | 97          |
| RSSI .....   | 98, 116     |
| Output Path Diagram .....                          | 116         |
| Power-up Sequence Diagram .....                    | 118         |
| SPI Read Sequence Diagram .....                    | 120         |
| SPI Write Sequence Diagram .....                   | 119         |
| RSSI Output Current vs. Input Signal Level         |             |
| Example .....                                      | 117         |
| Sensitivity Control .....                          | 97          |
| Soft Reset .....                                   | 107         |
| SPI Interface Timing Diagram .....                 | 122         |
| Timers .....                                       | 98, 99      |
| Alarm .....  | 99          |

|  |     |
|--|-----|
| Auto Channel Selection .....                 | 98  |
| Inactivity .....                             | 99  |
| Period .....                                 | 99  |
| Preamble Counters .....                      | 99  |
| Pulse Width .....                            | 99  |
| RC Oscillator .....                          | 98  |
| Tuning Capacitor .....                       | 97  |
| Variable Attenuator .....                    | 97  |
| Analog Input Connection Considerations ..... | 73  |
| Assembler                                    |     |
| MPASM Assembler .....                        | 160 |

### B

|  |         |
|--|---------|
| Block Diagrams                                 |         |
| Analog Input Model .....                       | 73      |
| Clock Source .....                             | 35      |
| Comparator .....                               | 71      |
| Comparator C1 .....                            | 72      |
| Comparator C2 .....                            | 72      |
| Comparator Modes .....                         | 75      |
| Crystal Operation .....                        | 38      |
| External RC Mode .....                         | 39      |
| Fail-Safe Clock Monitor (FSCM) .....           | 45      |
| Functional (AFE) .....                         | 100     |
| In-Circuit Serial Programming Connection ..... | 147     |
| Interrupt Logic .....                          | 140     |
| On-Chip Reset Circuit .....                    | 131     |
| PIC12F635 Device .....                         | 9       |
| PIC16F636 Device .....                         | 10      |
| PIC16F639 Device .....                         | 11      |
| RA0 Pin .....                                  | 52      |
| RA1 Pin .....                                  | 53      |
| RA2 Pin .....                                  | 53      |
| RA3 Pin .....                                  | 54      |
| RA4 Pin .....                                  | 55      |
| RA5 Pin .....                                  | 55      |
| RC0 and RC1 Pins .....                         | 58      |
| RC2, RC3 and RC5 Pins .....                    | 58      |
| RC4 Pin .....                                  | 59      |
| Recommended MCLR Circuit .....                 | 133     |
| Resonator Operation .....                      | 38      |
| Timer1 .....                                   | 65      |
| TMR0/WDT Prescaler .....                       | 61      |
| Watchdog Timer (WDT) .....                     | 143     |
| Brown-out Reset (BOR) .....                    | 134     |
| Associated .....                               | 135     |
| Specifications .....                           | 183     |
| Timing and Characteristics .....               | 87, 182 |

### C

|                           |     |
|---------------------------|-----|
| C Compilers               |     |
| MPLAB C18 .....           | 160 |
| MPLAB C30 .....           | 160 |
| Clock Sources             |     |
| External Modes .....      | 37  |
| EC .....                  | 37  |
| HS .....                  | 38  |
| LP .....                  | 38  |
| OST .....                 | 37  |
| RC .....                  | 39  |
| XT .....                  | 38  |
| Internal Modes .....      | 39  |
| Frequency Selection ..... | 41  |
| HFINTOSC .....            | 39  |

# PIC12F635/PIC16F636/639

|  |          |   |     |
|--|----------|---|-----|
| INTOSC .....                                 | 39       | EECON1 Register.....                              | 92  |
| INTOSCIO.....                                | 39       | EECON2 (EEPROM Control 2) Register .....          | 92  |
| LFINTOSC .....                               | 41       | EEDAT Register .....                              | 91  |
| Clock Switching.....                         | 43       | EEPROM Data Memory                                |     |
| CMCON0 Register .....                        | 80       | Reading .....                                     | 93  |
| CMCON1 Register .....                        | 82       | Write Verify .....                                | 93  |
| Code Examples                                |          | Writing .....                                     | 93  |
| Assigning Prescaler to Timer0 .....          | 62       | Electrical Specifications.....                    | 163 |
| Assigning Prescaler to WDT .....             | 62       | Errata .....                                      | 7   |
| Data EEPROM Read .....                       | 93       | <b>F</b>  |     |
| Data EEPROM Write .....                      | 93       | Fail-Safe Clock Monitor .....                     | 45  |
| Indirect Addressing .....                    | 32       | Fail-Safe Condition Clearing.....                 | 45  |
| Initializing PORTA .....                     | 47       | Fail-Safe Detection.....                          | 45  |
| Initializing PORTC.....                      | 57       | Fail-Safe Operation.....                          | 45  |
| Saving Status and W Registers in RAM .....   | 142      | Reset or Wake-up from Sleep .....                 | 45  |
| Ultra Low-Power Wake-up Initialization ..... | 51       | Firmware Instructions .....                       | 149 |
| Write Verify .....                           | 93       | Fuses. See Configuration Bits                     |     |
| Code Protection .....                        | 146      | <b>G</b>  |     |
| Comparator .....                             | 71       | General Purpose Register (GPR) File .....         | 18  |
| Associated registers.....                    | 85       | <b>I</b>  |     |
| C2OUT as T1 Gate .....                       | 81       | ID Locations.....                                 | 146 |
| Configurations .....                         | 74       | In-Circuit Debugger.....                          | 147 |
| I/O Operating Modes.....                     | 74       | In-Circuit Serial Programming (ICSP).....         | 147 |
| Interrupts.....                              | 77       | Indirect Addressing, INDF and FSR Registers ..... | 32  |
| Operation .....                              | 71, 76   | Instruction Format.....                           | 149 |
| Operation During Sleep .....                 | 79       | Instruction Set.....                              | 149 |
| Response Time.....                           | 77       | ADDLW.....  | 151 |
| Synchronizing CxOUT w/Timer1.....            | 81       | ADDWF.....  | 151 |
| Comparator Voltage Reference (CVREF)         |          | ANDLW.....  | 151 |
| Response Time.....                           | 77       | ANDWF.....  | 151 |
| Specifications.....                          | 185, 186 | BCF .....   | 151 |
| Comparator Voltage Reference (CVREF) .....   | 83       | BSF .....   | 151 |
| Effects of a Reset.....                      | 79       | BTFSC.....  | 151 |
| Specifications.....                          | 185      | BTFSS.....  | 152 |
| Comparators                                  |          | CALL.....   | 152 |
| C2OUT as T1 Gate .....                       | 66       | CLRF .....  | 152 |
| Effects of a Reset.....                      | 79       | CLRW .....  | 152 |
| Specifications.....                          | 185      | CLRWDT .....                                      | 152 |
| CONFIG Register.....                         | 130      | COMF .....  | 152 |
| Configuration Bits.....                      | 129      | DECF .....  | 152 |
| CPU Features .....                           | 129      | DECFSZ .....                                      | 153 |
| Customer Change Notification Service .....   | 223      | GOTO .....  | 153 |
| Customer Notification Service.....           | 223      | INCF .....  | 153 |
| Customer Support .....                       | 223      | INCFSZ.....                                       | 153 |
| <b>D</b>                                     |          | IORLW.....  | 153 |
| Data EEPROM Memory                           |          | IORWF.....  | 153 |
| Associated Registers .....                   | 94       | MOVF .....  | 154 |
| Code Protection .....                        | 91, 94   | MOVLW .....                                       | 154 |
| Protection Against Spurious Write .....      | 94       | MOVWF .....                                       | 154 |
| Using.....                                   | 93       | NOP .....   | 154 |
| Data Memory.....                             | 17       | RETFIE .....                                      | 155 |
| DC and AC Characteristics                    |          | RETLW .....                                       | 155 |
| Graphs and Tables .....                      | 191      | RETURN.....                                       | 155 |
| DC Characteristics                           |          | RLF .....   | 156 |
| Extended (PIC12F635/PIC16F636) .....         | 169      | RRF .....   | 156 |
| Industrial (PIC12F635/PIC16F636).....        | 167      | SLEEP .....                                       | 156 |
| Industrial (PIC16F639).....                  | 174      | SUBLW .....                                       | 156 |
| Industrial/Extended (PIC12F635/PIC16F636) .. | 166, 171 | SUBWF .....                                       | 157 |
| Industrial/Extended (PIC16F639).....         | 173, 175 | SWAPF .....                                       | 157 |
| Development Support .....                    | 159      | XORLW .....                                       | 157 |
| Device Overview .....                        | 9        | XORWF .....                                       | 157 |
| <b>E</b>                                     |          | Summary Table .....                               | 150 |
| EEADR Register .....                         | 91       | INTCON Register.....                              | 28  |
| EECON1 (EEPROM Control 1) Register .....     | 92       |   |     |

# PIC12F635/PIC16F636/639

|   |            |
|---|------------|
| Internal Oscillator Block   |            |
| INTOSC  |            |
| Specifications.....   | 180, 181   |
| Internet Address.....   | 223        |
| Interrupts.....   | 139        |
| Associated Registers.....   | 141        |
| Comparator.....   | 77         |
| Context Saving.....   | 142        |
| Data EEPROM Memory Write.....   | 92         |
| Interrupt-on-Change.....  | 50         |
| PORTA Interrupt-on-change.....  | 140        |
| RA2/INT.....  | 139        |
| Timer0.....   | 140        |
| TMR1.....   | 67         |
| INTOSC Specifications.....  | 180, 181   |
| IOCA Register.....  | 50         |
| <b>K</b>  |            |
| KEELOQ.....   | 95         |
| <b>L</b>  |            |
| Load Conditions.....  | 178        |
| <b>M</b>  |            |
| MCLR.....   | 132        |
| Internal.....   | 132        |
| Memory Organization.....  | 17         |
| Data.....   | 17         |
| Data EEPROM Memory.....   | 91         |
| Program.....  | 17         |
| Microchip Internet Web Site.....                                      | 223        |
| MPLAB ASM30 Assembler, Linker, Librarian.....                         | 160        |
| MPLAB ICD 2 In-Circuit Debugger.....                                  | 161        |
| MPLAB ICE 2000 High-Performance Universal<br>In-Circuit Emulator..... | 161        |
| MPLAB Integrated Development Environment Software..                   | 159        |
| MPLAB PM3 Device Programmer.....                                      | 161        |
| MPLAB REAL ICE In-Circuit Emulator System.....                        | 161        |
| MPLINK Object Linker/MPLIB Object Librarian.....                      | 160        |
| <b>O</b>  |            |
| OPCODE Field Descriptions.....  | 149        |
| OPTION Register.....  | 27         |
| OPTION_REG Register.....  | 63         |
| OSCCON Register.....  | 36         |
| Oscillator  |            |
| Associated registers.....   | 46, 69     |
| Oscillator Module.....  | 35         |
| EC.....   | 35         |
| HFINTOSC.....   | 35         |
| HS.....   | 35         |
| INTOSC.....   | 35         |
| INTOSCIO.....   | 35         |
| LFINTOSC.....   | 35         |
| LP.....   | 35         |
| RC.....   | 35         |
| RCIO.....   | 35         |
| XT.....   | 35         |
| Oscillator Parameters.....  | 180        |
| Oscillator Specifications.....  | 179        |
| Oscillator Start-up Timer (OST)                                       |            |
| Specifications.....   | 183        |
| Oscillator Switching  |            |
| Fail-Safe Clock Monitor.....  | 45         |
| Two-Speed Clock Start-up.....   | 43         |
| OSCTUNE Register.....   | 40         |
| <b>P</b>  |            |
| Packaging.....  | 211        |
| Details.....  | 213        |
| Marking.....  | 211        |
| PCL and PCLATH.....   | 32         |
| Stack.....  | 32         |
| PCON Register.....  | 31         |
| PICSTART Plus Development Programmer.....                             | 162        |
| PIE1 Register.....  | 29         |
| Pin Diagrams.....   | 3, 4, 5, 6 |
| Pinout Descriptions   |            |
| PIC12F635.....  | 12         |
| PIC16F636.....  | 13         |
| PIC16F639.....  | 14         |
| PIR1 Register.....  | 30         |
| PLVD  |            |
| Associated Registers.....   | 89         |
| PORTA.....  | 47         |
| Additional Pin Functions.....   | 47         |
| Interrupt-on-Change.....  | 50         |
| Ultra Low-Power Wake-up.....  | 47, 51     |
| Weak Pull-down.....   | 47         |
| Weak Pull-up.....   | 47         |
| Associated Registers.....   | 56         |
| Pin Descriptions and Diagrams.....                                    | 52         |
| RA0/C1IN+/ICSPDAT/ULPWU Pin.....                                      | 52         |
| RA1/C1IN-/Vref/ICSPCLK Pin.....                                       | 53         |
| RA2/T0CKI/INT/C1OUT Pin.....  | 53         |
| RA3/MCLR/VPP PIN.....   | 54         |
| RA4/T1G/OSC2/CLKOUT Pin.....  | 55         |
| RA5/T1CKI/OSC1/CLKIN Pin.....   | 55         |
| Specifications.....   | 181        |
| PORTA Register.....   | 48         |
| PORTC.....  | 57         |
| Associated Registers.....   | 59         |
| RC0/C2IN+ Pin.....  | 58         |
| RC2 Pin.....  | 58         |
| RC3 Pin.....  | 58         |
| RC4/C2OUT Pin.....  | 59         |
| RC5 Pin.....  | 58         |
| Specifications.....   | 181        |
| PORTC Register.....   | 57         |
| Power Control (PCON) Register.....                                    | 135        |
| Power-Down Mode (Sleep).....  | 145        |
| Power-on Reset.....   | 132        |
| Power-up Timer (PWRT).....  | 132        |
| Specifications.....   | 183        |
| Precision Internal Oscillator Parameters.....                         | 181        |
| Prescaler   |            |
| Shared WDT/Timer0.....  | 62         |
| Switching Prescaler Assignment.....                                   | 62         |
| Product Identification.....   | 231        |
| Program Memory.....   | 17         |
| Program Memory Map and Stack  |            |
| PIC12F635.....  | 17         |
| PIC16F636/639.....  | 17         |
| Programmable Low-Voltage Detect (PLVD) Module.....                    | 87         |
| Programming, Device Instructions.....                                 | 149        |
| <b>R</b>  |            |
| Reader Response.....  | 224        |
| Read-Modify-Write Operations.....                                     | 149        |
| Registers   |            |
| Analog Front-End (AFE)  |            |
| AFE STATUS Register 7.....  | 127        |

# PIC12F635/PIC16F636/639

|  |        |  |                |
|--|--------|--|----------------|
| Column Parity Register 6 .....                     | 126    | T0CKI .....  | 62             |
| Configuration Register 0 .....                     | 123    | Timer1 .....   | 64             |
| Configuration Register 1 .....                     | 124    | Associated registers .....                                       | 69             |
| Configuration Register 2 .....                     | 124    | Asynchronous Counter Mode .....                                  | 66             |
| Configuration Register 3 .....                     | 125    | Reading and Writing .....  | 66             |
| Configuration Register 4 .....                     | 125    | Interrupt .....  | 67             |
| Configuration Register 5 .....                     | 126    | Modes of Operation .....   | 64             |
| CMCON0 (Comparator Control 0) .....                | 80     | Operation During Sleep .....                                     | 67             |
| CMCON0 (Comparator Control) Register .....         | 79     | Oscillator .....   | 66             |
| CMCON1 (Comparator Control 1) .....                | 82     | Prescaler .....  | 66             |
| CMCON1 (Comparator Control) Register .....         | 82     | Specifications .....   | 184            |
| CONFIG (Configuration Word) .....                  | 130    | Timer1 Gate .....  |                |
| EEADR (EEPROM Address) .....                       | 91     | Inverting Gate .....   | 66             |
| ECON1 (EEPROM Control 1) .....                     | 92     | Selecting Source .....   | 66, 81         |
| EEDAT (EEPROM Data) .....                          | 91     | Synchronizing CxOUT w/Timer1 .....                               | 81             |
| INTCON (Interrupt Control) .....                   | 28     | TMR1H Register .....   | 64             |
| IOCA (Interrupt-on-change PORTA) .....             | 50     | TMR1L Register .....   | 64             |
| LVDCON (Low-Voltage Detect Control) .....          | 89     | Timers .....   |                |
| OPTION_REG (OPTION) .....                          | 27     | Timer1 .....   |                |
| OPTION_REG (Option) .....                          | 63     | T1CON .....  | 68             |
| OSCCON (Oscillator Control) .....                  | 36     | Timing Diagrams .....  |                |
| OSCTUNE (Oscillator Tuning) .....                  | 40     | Brown-out Reset (BOR) .....                                      | 87, 182        |
| PCON (Power Control Register) .....                | 31     | Brown-out Reset Situations .....                                 | 134            |
| PIE1 (Peripheral Interrupt Enable 1) .....         | 29     | CLKOUT and I/O .....   | 181            |
| PIR1 (Peripheral Interrupt Request 1) .....        | 30     | Clock Timing .....   | 179            |
| PORTA .....  | 48     | Comparator Output .....  | 71             |
| PORTC .....  | 57     | Fail-Safe Clock Monitor (FSCM) .....                             | 46             |
| Reset Values .....                                 | 137    | INT Pin Interrupt .....  | 141            |
| Reset Values (Special Registers) .....             | 138    | Internal Oscillator Switch Timing .....                          | 42             |
| STATUS .....                                       | 26     | Reset, WDT, OST and Power-up Timer .....                         | 182            |
| T1CON .....  | 68     | Time-out Sequence on Power-up (Delayed MCLR) .....               | 136            |
| TRISA (Tri-State PORTA) .....                      | 48     | Time-out Sequence on Power-up (MCLR with V <sub>DD</sub> ) ..... | 136            |
| TRISC (Tri-State PORTC) .....                      | 57     | Timer0 and Timer1 External Clock .....                           | 184            |
| VRCON (Voltage Reference Control) .....            | 84     | Timer1 Incrementing Edge .....                                   | 67             |
| WDA (Weak Pull-up/Pull-down Direction PORTA) ..... | 49     | Two Speed Start-up .....   | 44             |
| WDTCON (Watchdog Timer Control) .....              | 144    | Wake-up from Sleep through Interrupt .....                       | 146            |
| WPUDA (Weak Pull-up/Pull-down Enable PORTA) .....  | 49     | Timing Parameter Symbology .....                                 | 178            |
| Reset .....  | 131    | TRISA .....  | 47             |
| Revision History .....                             | 225    | TRISA Register .....   | 48             |
|  |        | TRISC Register .....   | 57             |
|  |        | Two-Speed Clock Start-up Mode .....                              | 43             |
| <b>S</b>   |        | <b>U</b>   |                |
| Software Simulator (MPLAB SIM) .....               | 160    | Ultra Low-Power Wake-up .....                                    | 13, 14, 47, 51 |
| Special Function Registers (SFR) .....             | 18     | <b>V</b>   |                |
| Maps .....   |        | Voltage Reference. See Comparator Voltage                        |                |
| PIC12F635 .....                                    | 19     | Reference (CVREF)  |                |
| PIC16F636/639 .....                                | 20     | Voltage References .....   |                |
| Summary .....                                      |        | Associated registers .....                                       | 85             |
| PIC12F635, Bank 0 .....                            | 21     | <b>W</b>   |                |
| PIC12F635, Bank 1 .....                            | 22     | Wake-up from Sleep .....   | 145            |
| PIC12F635/PIC16F636/639, Bank 2 .....              | 25     | Wake-up Reset (WUR) .....  | 132            |
| PIC16F636/639, Bank 0 .....                        | 23     | Wake-up using Interrupts .....                                   | 145            |
| PIC16F636/639, Bank 1 .....                        | 24     | Watchdog Timer (WDT) .....                                       | 143            |
| SPI Timing .....                                   |        | Associated Registers .....                                       | 144            |
| Analog Front-End (AFE) for PIC16F639 .....         | 190    | Control .....  | 143            |
| STATUS Register .....                              | 26     | Oscillator .....   | 143            |
| <b>T</b>   |        | Specifications .....   | 183            |
| T1CON Register .....                               | 68     | WDA Register .....   | 49             |
| Thermal Considerations .....                       | 177    | WDTCON Register .....  | 144            |
| Time-out Sequence .....                            | 135    | WPUDA Register .....   | 49             |
| Timer0 .....                                       | 61     | WWW Address .....  | 223            |
| Associated Registers .....                         | 63     | WWW, On-Line Support .....                                       | 7              |
| External Clock .....                               | 62     |  |                |
| Interrupt .....                                    | 63     |  |                |
| Operation .....                                    | 61, 64 |  |                |
| Specifications .....                               | 184    |  |                |



# PIC12F635/PIC16F636/639

## PRODUCT IDENTIFICATION SYSTEM

To order or obtain information, e.g., on pricing or delivery, refer to the factory or the listed sales office.

| <u>PART NO.</u>   | <u>X</u>  | <u>/XX</u> | <u>XXX</u> |
|---|---|------------|------------|
| Device  | Temperature Range   | Package    | Pattern    |
| <b>Device:</b>  | PIC12F635 <sup>(1, 2)</sup> , PIC16F636 <sup>(1, 2)</sup> , PIC16F639 <sup>(1, 2)</sup><br>VDD range 2.0V to 5.5V   |            |            |
| <b>Temperature Range:</b>   | I = -40°C to +85°C (Industrial)<br>E = -40°C to +125°C (Extended)   |            |            |
| <b>Package:</b>   | MD = Dual-Flat, No Leads, 8-pin (4x4x0.9 mm)<br>MF = Dual-Flat, No Leads, Saw Sing. (6x5 mm)<br>ML = Dual-Flat, No Leads, 16-pin (4x4x0.9 mm)<br>P = Plastic DIP (300 mil body, 5.30 mm)<br>SL = 14-lead Small Outline (3.90 mm)<br>SN = 8-lead Small Outline (3.90 mm)<br>SS = 20-Lead Plastic Shrink Small Outline (5.30 mm)<br>ST = 14-Lead Thin Shrink Small Outline (4.4 mm) |            |            |
| <b>Pattern:</b>   | 3-Digit Pattern Code for QTP (blank otherwise)  |            |            |
| <b>Examples:</b>  |   |            |            |
| a) PIC12F635-E/P 301 = Extended Temp., PDIP package, 20 MHz, QTP pattern #301 |   |            |            |
| b) PIC12F635-I/S = Industrial Temp., SOIC package, 20 MHz                     |   |            |            |
| <b>Note 1:</b> F = Standard Voltage Range                                     |   |            |            |
| <b>Note 2:</b> T = in tape and reel PLCC.                                     |   |            |            |



---

---

## WORLDWIDE SALES AND SERVICE

---

---

### AMERICAS

**Corporate Office**  
2355 West Chandler Blvd.  
Chandler, AZ 85224-6199  
Tel: 480-792-7200  
Fax: 480-792-7277  
Technical Support:  
<http://support.microchip.com>  
Web Address:  
[www.microchip.com](http://www.microchip.com)

**Atlanta**  
Duluth, GA  
Tel: 678-957-9614  
Fax: 678-957-1455

**Boston**  
Westborough, MA  
Tel: 774-760-0087  
Fax: 774-760-0088

**Chicago**  
Itasca, IL  
Tel: 630-285-0071  
Fax: 630-285-0075

**Dallas**  
Addison, TX  
Tel: 972-818-7423  
Fax: 972-818-2924

**Detroit**  
Farmington Hills, MI  
Tel: 248-538-2250  
Fax: 248-538-2260

**Kokomo**  
Kokomo, IN  
Tel: 765-864-8360  
Fax: 765-864-8387

**Los Angeles**  
Mission Viejo, CA  
Tel: 949-462-9523  
Fax: 949-462-9608

**Santa Clara**  
Santa Clara, CA  
Tel: 408-961-6444  
Fax: 408-961-6445

**Toronto**  
Mississauga, Ontario,  
Canada  
Tel: 905-673-0699  
Fax: 905-673-6509

### ASIA/PACIFIC

**Asia Pacific Office**  
Suites 3707-14, 37th Floor  
Tower 6, The Gateway  
Harbour City, Kowloon  
Hong Kong  
Tel: 852-2401-1200  
Fax: 852-2401-3431

**Australia - Sydney**  
Tel: 61-2-9868-6733  
Fax: 61-2-9868-6755

**China - Beijing**  
Tel: 86-10-8528-2100  
Fax: 86-10-8528-2104

**China - Chengdu**  
Tel: 86-28-8665-5511  
Fax: 86-28-8665-7889

**China - Fuzhou**  
Tel: 86-591-8750-3506  
Fax: 86-591-8750-3521

**China - Hong Kong SAR**  
Tel: 852-2401-1200  
Fax: 852-2401-3431

**China - Qingdao**  
Tel: 86-532-8502-7355  
Fax: 86-532-8502-7205

**China - Shanghai**  
Tel: 86-21-5407-5533  
Fax: 86-21-5407-5066

**China - Shenyang**  
Tel: 86-24-2334-2829  
Fax: 86-24-2334-2393

**China - Shenzhen**  
Tel: 86-755-8203-2660  
Fax: 86-755-8203-1760

**China - Shunde**  
Tel: 86-757-2839-5507  
Fax: 86-757-2839-5571

**China - Wuhan**  
Tel: 86-27-5980-5300  
Fax: 86-27-5980-5118

**China - Xian**  
Tel: 86-29-8833-7250  
Fax: 86-29-8833-7256

### ASIA/PACIFIC

**India - Bangalore**  
Tel: 91-80-4182-8400  
Fax: 91-80-4182-8422

**India - New Delhi**  
Tel: 91-11-4160-8631  
Fax: 91-11-4160-8632

**India - Pune**  
Tel: 91-20-2566-1512  
Fax: 91-20-2566-1513

**Japan - Yokohama**  
Tel: 81-45-471-6166  
Fax: 81-45-471-6122

**Korea - Gumi**  
Tel: 82-54-473-4301  
Fax: 82-54-473-4302

**Korea - Seoul**  
Tel: 82-2-554-7200  
Fax: 82-2-558-5932 or  
82-2-558-5934

**Malaysia - Penang**  
Tel: 60-4-646-8870  
Fax: 60-4-646-5086

**Philippines - Manila**  
Tel: 63-2-634-9065  
Fax: 63-2-634-9069

**Singapore**  
Tel: 65-6334-8870  
Fax: 65-6334-8850

**Taiwan - Hsin Chu**  
Tel: 886-3-572-9526  
Fax: 886-3-572-6459

**Taiwan - Kaohsiung**  
Tel: 886-7-536-4818  
Fax: 886-7-536-4803

**Taiwan - Taipei**  
Tel: 886-2-2500-6610  
Fax: 886-2-2508-0102

**Thailand - Bangkok**  
Tel: 66-2-694-1351  
Fax: 66-2-694-1350

### EUROPE

**Austria - Wels**  
Tel: 43-7242-2244-39  
Fax: 43-7242-2244-393

**Denmark - Copenhagen**  
Tel: 45-4450-2828  
Fax: 45-4485-2829

**France - Paris**  
Tel: 33-1-69-53-63-20  
Fax: 33-1-69-30-90-79

**Germany - Munich**  
Tel: 49-89-627-144-0  
Fax: 49-89-627-144-44

**Italy - Milan**  
Tel: 39-0331-742611  
Fax: 39-0331-466781

**Netherlands - Drunen**  
Tel: 31-416-690399  
Fax: 31-416-690340

**Spain - Madrid**  
Tel: 34-91-708-08-90  
Fax: 34-91-708-08-91

**UK - Wokingham**  
Tel: 44-118-921-5869  
Fax: 44-118-921-5820

12/08/06



Компания «ЭлектроПласт» предлагает заключение долгосрочных отношений при поставках импортных электронных компонентов на взаимовыгодных условиях!

Наши преимущества:

- Оперативные поставки широкого спектра электронных компонентов отечественного и импортного производства напрямую от производителей и с крупнейших мировых складов;
- Поставка более 17-ти миллионов наименований электронных компонентов;
- Поставка сложных, дефицитных, либо снятых с производства позиций;
- Оперативные сроки поставки под заказ (от 5 рабочих дней);
- Экспресс доставка в любую точку России;
- Техническая поддержка проекта, помощь в подборе аналогов, поставка прототипов;
- Система менеджмента качества сертифицирована по Международному стандарту ISO 9001;
- Лицензия ФСБ на осуществление работ с использованием сведений, составляющих государственную тайну;
- Поставка специализированных компонентов (Xilinx, Altera, Analog Devices, Intersil, Interpoint, Microsemi, Aeroflex, Peregrine, Syfer, Eurofarad, Texas Instrument, Miteq, Cobham, E2V, MA-COM, Hittite, Mini-Circuits, General Dynamics и др.);

Помимо этого, одним из направлений компании «ЭлектроПласт» является направление «Источники питания». Мы предлагаем Вам помощь Конструкторского отдела:

- Подбор оптимального решения, техническое обоснование при выборе компонента;
- Подбор аналогов;
- Консультации по применению компонента;
- Поставка образцов и прототипов;
- Техническая поддержка проекта;
- Защита от снятия компонента с производства.



#### Как с нами связаться

**Телефон:** 8 (812) 309 58 32 (многоканальный)

**Факс:** 8 (812) 320-02-42

**Электронная почта:** [org@eplast1.ru](mailto:org@eplast1.ru)

**Адрес:** 198099, г. Санкт-Петербург, ул. Калинина, дом 2, корпус 4, литера А.