

KLPC SERIES POWR-PRO® FUSES

POWR-PRO® 600 VAC • Time-Delay • 200-6000 Amperes



Specifications

| | | |
|------------------------------|----------------------|--|
| Voltage Ratings: | AC: | 600 V |
| | DC: | 480 V |
| Interrupting Ratings: | AC: | 200 kA rms symmetrical 300 kA rms symmetrical (Littelfuse self-certified) |
| | DC: | 20,000 A |
| | Ampere Range: | 200 – 6000 A |
| Approvals: | AC: | Standard 248-10, Class L UL Listed 601–6000 A (File No. E81895) UL Recognized 200–600 A (File No. E71611) CSA Certified 200–6000 A (File No. LR29862) Federal Specifications 700–6000 A (QPL-W-F-1814) |
| | DC: | Littelfuse self-certified |

Description

KLPC series POWR-PRO® fuses meet or exceed the most stringent project specifications, such as silver links, silver-plated copper end bells, glass-reinforced melamine bodies, O-ring seals between body and end bells, and granular quartz fillers.

Applications

- Switchboard mains and feeders
- Motor control center mains
- Large motor branch circuits
- Protection of power circuit breakers

Features/Benefits

- POWR-PRO Performance (see pg. 3)
- Best in class time-delay withstand
- Current-Limiting
- Easily coordinated with other system components
- 300 kA AC Interrupting Rating (self certified)

Ordering Information

| AMPERE RATINGS | | | | | |
|----------------|-----|------|------|------|------|
| 200 | 500 | 800 | 1350 | 2000 | 3000 |
| 250 | 600 | 900 | 1400 | 2100 | 3500 |
| 300 | 601 | 1000 | 1500 | 2200 | 4000 |
| 350 | 650 | 1100 | 1600 | 2300 | 4500 |
| 400 | 700 | 1200 | 1800 | 2400 | 5000 |
| 450 | 750 | 1300 | 1900 | 2500 | 6000 |

| SERIES | AMPERAGE | CATALOG NUMBER | SYSTEM NUMBER |
|--------|----------|----------------|---------------|
| KLPC | 800 | KLPC800 | KLPC800.X |

Web Resources

TC Curves, downloadable CAD drawings and other technical information: www.littelfuse.com/klpc

CLASS L CURRENT-LIMITING EFFECTS

Current-Limiting Effects of KLPC (600 V) Fuses

| SHORT CIRCUIT CURRENT* | APPARENT RMS SYMMETRICAL CURRENT FOR VARIOUS FUSE RATINGS | | | | | | | |
|------------------------|---|--------|--------|--------|--------|--------|--------|--------|
| | 800 A | 1200 A | 1600 A | 2000 A | 3000 A | 4000 A | 5000 A | 6000 A |
| 5,000 | 5,000 | 5,000 | 5,000 | 5,000 | 5,000 | 5,000 | 5,000 | 5,000 |
| 10,000 | 8,800 | 10,000 | 10,000 | 10,000 | 10,000 | 10,000 | 10,000 | 10,000 |
| 15,000 | 10,500 | 13,500 | 15,000 | 15,000 | 15,000 | 15,000 | 15,000 | 15,000 |
| 20,000 | 12,000 | 15,000 | 19,000 | 20,000 | 20,000 | 20,000 | 20,000 | 20,000 |
| 25,000 | 13,000 | 16,000 | 21,000 | 24,000 | 25,000 | 25,000 | 25,000 | 25,000 |
| 30,000 | 14,000 | 18,000 | 23,000 | 26,000 | 30,000 | 30,000 | 30,000 | 30,000 |
| 35,000 | 15,000 | 19,000 | 24,000 | 27,000 | 32,000 | 35,000 | 35,000 | 35,000 |
| 40,000 | 16,000 | 20,000 | 25,000 | 28,000 | 34,000 | 40,000 | 40,000 | 40,000 |
| 50,000 | 17,000 | 22,000 | 27,000 | 31,000 | 37,000 | 42,500 | 50,000 | 50,000 |
| 60,000 | 18,000 | 24,000 | 29,000 | 34,000 | 40,000 | 46,000 | 52,000 | 60,000 |
| 80,000 | 20,000 | 26,000 | 32,000 | 37,000 | 44,000 | 51,000 | 57,000 | 70,000 |
| 100,000 | 21,000 | 27,000 | 34,000 | 40,000 | 46,000 | 57,000 | 65,000 | 75,000 |
| 150,000 | 23,000 | 31,000 | 38,000 | 44,000 | 54,000 | 67,000 | 75,000 | 87,000 |
| 200,000 | 24,000 | 34,000 | 42,000 | 46,000 | 57,000 | 70,000 | 80,000 | 95,000 |

*Prospective RMS Symmetrical Amperes Short-Circuit Current

Note: Data derived from Peak Let-Thru Curves

CLASS L SERIES DIMENSIONS

Dimensions in inches (mm)

| AMPERES | FIG. NO. | DIMENSIONS IN INCHES (mm) | | | | | | | | | | | | |
|-----------|----------|---------------------------|------------|------------|------------|------------|-------------|-----------|-----------|------------|------------|-------------|------------------------|------------------------|
| | | A | B | C | D | E | F | G | H | J | K | L | M | N |
| 200-800 | 1 | 3¾ (95.3) | 5¾ (146.1) | 6¾ (171.5) | — | — | 8⅝ (219.1) | — | — | 2 (50.8) | 2½ (63.5) | ⅜ (9.5) | ⅝ x 1⅛ (15.9) x (28.6) | — |
| 900-1200 | 2 | 3¾ (95.3) | 5¾ (146.1) | 6¾ (171.5) | 9¼ (235.0) | 9½ (241.3) | 10¾ (273.1) | — | — | 2 (50.8) | 2½ (63.5) | ⅜ (9.5) | ⅝ x ¾ (15.9) x (19.1) | ⅝ x 1⅛ (15.9) x (28.6) |
| 1300-1600 | 2 | 3¾ (95.3) | 5¾ (146.1) | 6¾ (171.5) | 9¼ (235.0) | 9½ (241.3) | 10¾ (273.1) | — | — | 2⅜ (60.3) | 3 (76.2) | 7/16 (11.1) | ⅝ x ¾ (15.9) x (19.1) | ⅝ x 1⅛ (15.9) x (28.6) |
| 1800-2000 | 2 | 3¾ (95.3) | 5¾ (146.1) | 6¾ (171.5) | 9¼ (235.0) | 9½ (241.3) | 10¾ (273.1) | — | — | 2¾ (69.9) | 3½ (88.9) | ½ (12.7) | ⅝ x ¾ (15.9) x (19.1) | ⅝ x 1⅛ (15.9) x (28.6) |
| 2100-2500 | 3 | 4 (101.6) | 5¾ (146.1) | 6¾ (171.5) | 9¼ (235.0) | 9½ (241.3) | 10¾ (273.1) | 1⅝ (41.3) | 1¾ (44.5) | 3½ (88.9) | 5 (127.0) | ¾ (19.1) | ⅝ x ¾ (15.9) x (19.1) | ⅝ x 1⅛ (15.9) x (28.6) |
| 2501-3000 | 3 | 4 (101.6) | 5¾ (146.1) | 6¾ (171.5) | 9¼ (235.0) | 9½ (241.3) | 10¾ (273.1) | 1⅝ (41.3) | 1¾ (44.5) | 4 (101.6) | 5 (127.0) | ¾ (19.1) | ⅝ x ¾ (15.9) x (19.1) | ⅝ x 1⅛ (15.9) x (28.6) |
| 3500-4000 | 4 | 4 (101.6) | 5¾ (146.1) | 6¾ (171.5) | 9¼ (235.0) | 9½ (241.3) | 10¾ (273.1) | 1¾ (44.5) | 3¼ (82.6) | 4¾ (120.7) | 5¾ (146.1) | ¾ (19.1) | ⅝ x 1⅜ (15.9) x (34.9) | ⅝ x 1⅜ (15.9) x (34.9) |
| 4500-5000 | 5 | 4 (101.6) | 5¾ (146.1) | — | 9¼ (235.0) | — | 10¾ (273.1) | 1⅝ (41.3) | 3¼ (82.6) | 5¼ (133.4) | 7⅞ (181.0) | 1 (25.4) | ⅝ DIA. (15.9) | — |
| 6000 | 5 | 4 (101.6) | 5¾ (146.1) | — | 9¼ (235.0) | — | 10¾ (273.1) | 1⅝ (41.3) | 3¼ (82.6) | 5¼ (133.4) | 7⅞ (181.0) | 1 (25.4) | ⅝ DIA. (15.9) | — |



FIG. 1

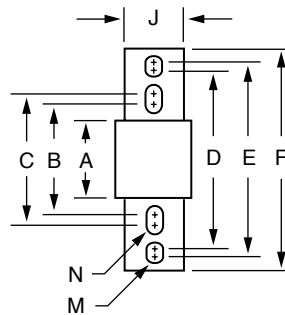


FIG. 2

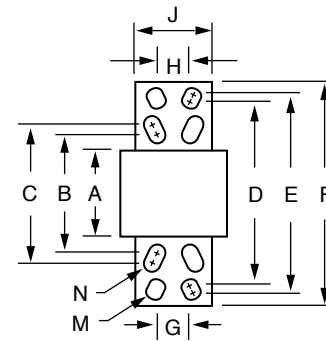


FIG. 3



FIG. 4

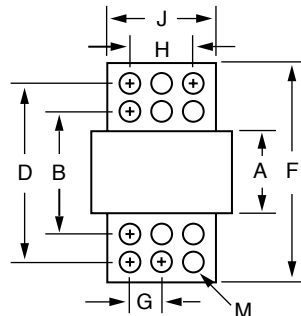
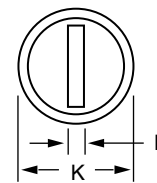


FIG. 5



Peak Let-Thru Curve KLPC





Компания «ЭлектроПласт» предлагает заключение долгосрочных отношений при поставках импортных электронных компонентов на взаимовыгодных условиях!

Наши преимущества:

- Оперативные поставки широкого спектра электронных компонентов отечественного и импортного производства напрямую от производителей и с крупнейших мировых складов;
- Поставка более 17-ти миллионов наименований электронных компонентов;
- Поставка сложных, дефицитных, либо снятых с производства позиций;
- Оперативные сроки поставки под заказ (от 5 рабочих дней);
- Экспресс доставка в любую точку России;
- Техническая поддержка проекта, помощь в подборе аналогов, поставка прототипов;
- Система менеджмента качества сертифицирована по Международному стандарту ISO 9001;
- Лицензия ФСБ на осуществление работ с использованием сведений, составляющих государственную тайну;
- Поставка специализированных компонентов (Xilinx, Altera, Analog Devices, Intersil, Interpoint, Microsemi, Aeroflex, Peregrine, Syfer, Eurofarad, Texas Instrument, Miteq, Cobham, E2V, MA-COM, Hittite, Mini-Circuits, General Dynamics и др.);

Помимо этого, одним из направлений компании «ЭлектроПласт» является направление «Источники питания». Мы предлагаем Вам помощь Конструкторского отдела:

- Подбор оптимального решения, техническое обоснование при выборе компонента;
- Подбор аналогов;
- Консультации по применению компонента;
- Поставка образцов и прототипов;
- Техническая поддержка проекта;
- Защита от снятия компонента с производства.



Как с нами связаться

Телефон: 8 (812) 309 58 32 (многоканальный)

Факс: 8 (812) 320-02-42

Электронная почта: org@eplast1.ru

Адрес: 198099, г. Санкт-Петербург, ул. Калинина, дом 2, корпус 4, литера А.