

PLEASE CHECK WWW.MOLEX.COM FOR LATEST PART INFORMATION

Part Number: [0365090020](#)

Status: **Active**

Overview: [din_41612](#)

Description: 2.54mm (.100") Pitch DIN 41612 R Style Female Receptacle, Right Angle, Through Hole, 0.60µm (24µ") Selective Gold (Au) Plating, 96 Circuits, with Mounting Clips and Sealing Strip

Documents:

[3D Model](#)

[Product Specification PS-36509-001 \(PDF\)](#)

[Drawing \(PDF\)](#)

[RoHS Certificate of Compliance \(PDF\)](#)

General

Product Family	Backplane Connectors
Series	36509
Application	Daughtercard
Comments	With Mounting Clips and Sealing Strip
Component Type	PCB Receptacle
Overview	din_41612
Product Name	IEC 603-2/DIN 41612
Style	R

Physical

Circuits (Loaded)	96
Circuits (maximum)	96
Circuits Detail	1,2,3,...32; a+b+c
Color - Resin	Gray
Durability (mating cycles max)	400
First Mate / Last Break	No
Guide to Mating Part	No
Keying to Mating Part	Yes
Material - Metal	Phosphor Bronze
Material - Plating Mating	Gold
Material - Plating Termination	Tin
Material - Resin	Polyester
Number of Columns	32
Number of Pairs	Open Pin Field
Number of Rows	3
Orientation	Right Angle
PC Tail Length (in)	0.118 In
PC Tail Length (mm)	3.00 mm
PCB Locator	No
PCB Retention	Yes
PCB Thickness Recommended (in)	0.063 In
PCB Thickness Recommended (mm)	1.60 mm
Packaging Type	Carton
Pitch - Mating Interface (in)	0.100 In
Pitch - Mating Interface (mm)	2.54 mm
Pitch - Term. Interface (in)	0.100 In
Pitch - Term. Interface (mm)	2.54 mm
Plating min: Mating (µin)	24
Plating min: Mating (µm)	0.60
Plating min: Termination (µin)	98
Plating min: Termination (µm)	2.5
Polarized to PCB	Yes
Stackable	No
Surface Mount Compatible (SMC)	No

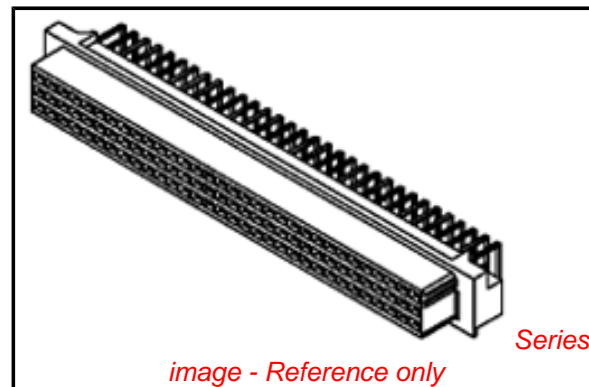


image - Reference only

EU RoHS

China RoHS

Compliance Status

Not Reviewed

REACH SVHC

Not Reviewed

Halogen-Free

Status

Not Reviewed

Need more information on product environmental compliance?

Email productcompliance@molex.com
For a multiple part number RoHS Certificate of Compliance, [click here](#)

Please visit the [Contact Us](#) section for any non-product compliance questions.

Search Parts in this Series

[36509Series](#)

Temperature Range - Operating -55°C to +125°C
Termination Interface: Style Through Hole

Electrical

Current - Maximum per Contact 1A
Data Rate 622.0 Mbps
Voltage - Maximum 250V AC (RMS)

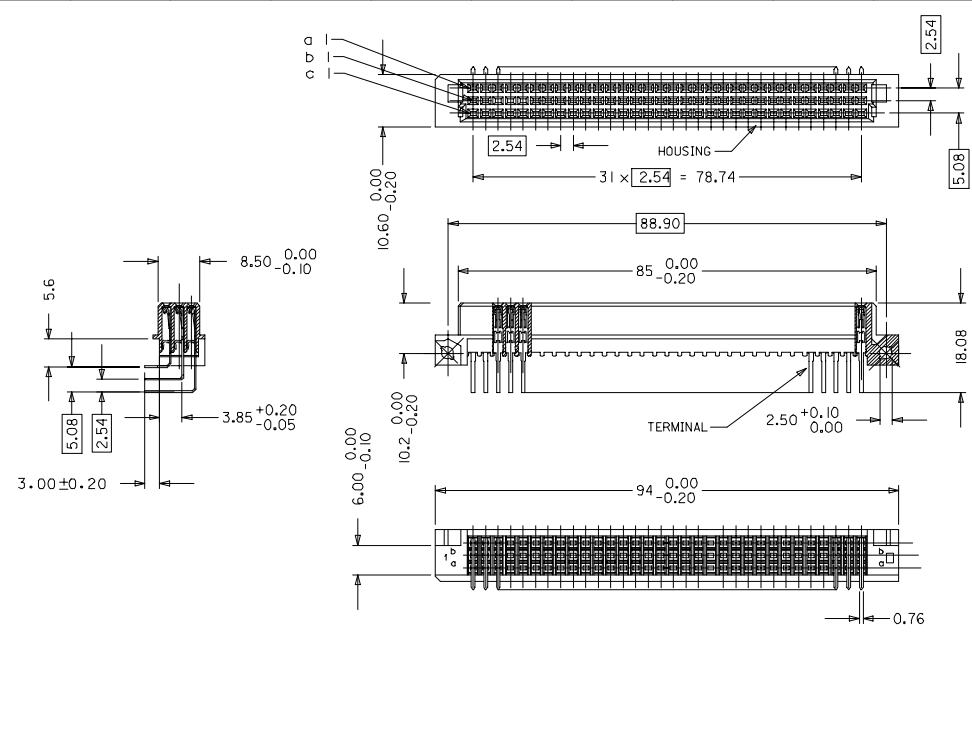
Material Info

Reference - Drawing Numbers

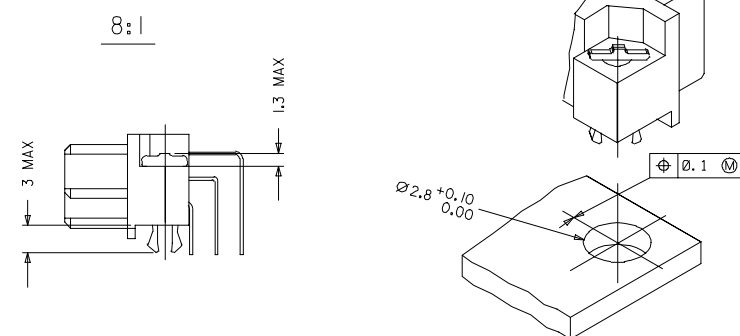
Product Specification PS-36509-001
Sales Drawing SD-36509-001

This document was generated on 05/13/2010

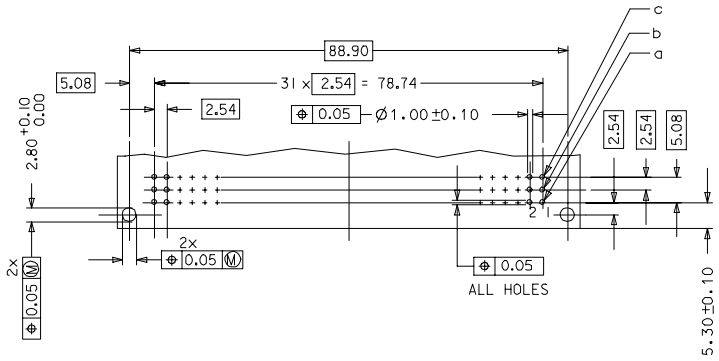
PLEASE CHECK WWW.MOLEX.COM FOR LATEST PART INFORMATION



WITH MOUNTING CLIPS



RECOMMENDED PCB LAYOUT
COMPONENT SIDE

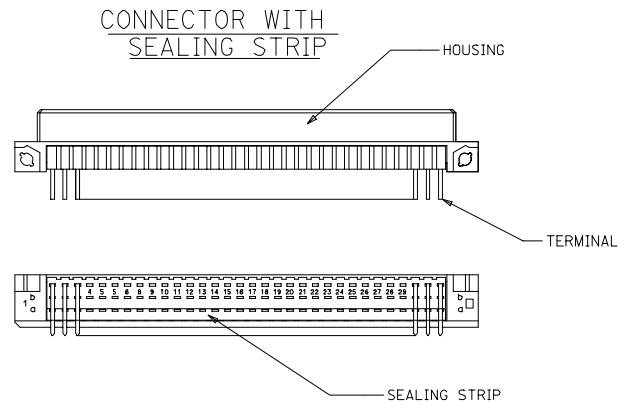


- NOTES:
- MATERIALS: THERMOPLASTIC POLYESTER, GLASS FILLED, UL94V-0, COLOUR: PEBBLE GREY RAL 7032
TERMINAL - PHOSPHOR BRONZE
MOUNTING CLIP: STEEL
 - FINISH: TERMINAL:-
CONTACT AREA
1. PERFORMANCE LEVEL 1: SELECTIVE GOLD (Au), THICKNESS = 1.1 MICROMETER OVER NICKEL, THICKNESS = 1.25 MICROMETER
2. PERFORMANCE LEVEL 2: SELECTIVE GOLD (Au), THICKNESS = 0.6 MICROMETER OVER NICKEL, THICKNESS = 1.25 MICROMETER
3. PERFORMANCE LEVEL 3: SELECTIVE GOLD (Au), THICKNESS = 0.3 MICROMETER OVER NICKEL, THICKNESS = 1.25 MICROMETER
TERMINATION AREA:
SELECTIVE TIN, THICKNESS = 2.5 MICROMETER OVER NICKEL, THICKNESS = 1.25 MICROMETER OVERALL
 - MOUNTING CLIP:-
TIN (Sn), THICKNESS = 5-10 MICROMETER, OVER NICKEL (Ni), THICKNESS = 2.5 MICROMETER
 - FOR NON MOUNTING CLIP OPTION, CONNECTOR TO BE SECURED WITH RIVETS: 2 TUBULAR RIVETS 2.5 x 0.3 ... DIN 7340
SCREWS: 2 CHEESEHEAD SCREWS M2.5 x ... DIN 84 AND 2 HEXAGONAL NUTS M2.5 DIN 934
 - MATERIAL NUMBER, BATCH CODE, UL AND CSA MARKING TO BE PRINTED ON THE CONNECTOR
 - CUT FACE OF TIP WITHOUT PLATING PERMITTED
 - PRODUCT SPECIFICATION : PS 36509-001

RoHS COMPLIANT

EC No: P007-0044 DRAWING APPROVED 2006/10/10 CHECKED BY 2006/10/11 APPROVED BY 2006/10/17	QUALITY SYMBOLS	GENERAL TOLERANCES (UNLESS SPECIFIED)	DIMENSION STYLE MM ONLY	SCALE 2:1	DESIGN UNITS METRIC	THIRD ANGLE PROJECTION
	▼=0 ▽=0	4 PLACES ± --- ± --- 3 PLACES ± 0.05 ± --- 2 PLACES ± 0.1 ± --- 1 PLACE ± 0.15 ± --- ANGULAR ± 2°	DRAWN BY DATE SS 1999/09/24 CHECKED BY DATE G J LOWE 1999/09/24 APPROVED BY DATE G J LOWE 1999/09/24	TITLE	ASSEMBLY, DIN1612 R FEMALE 96 POS	
DRAFT WHERE APPLICABLE MUST REMAIN WITHIN DIMENSIONS	MATERIAL NO. SEE CHART	DOCUMENT NO. SD-36509-001	MOLEX INCORPORATED THIS DRAWING CONTAINS INFORMATION THAT IS PROPRIETARY TO MOLEX INCORPORATED AND SHOULD NOT BE USED WITHOUT WRITTEN PERMISSION			

MATERIAL No	MOLEX ENG No	PERF LEVEL	PLATING	CONTACT SEQUENCE/ROW	MOUNTING CLIP	SEALING STRIP
36509-0001	MM-B2400-R960	1	Au+Ni	1,2,3....32 a+b+c	NO	NO
36509-0002	MM-B2500-R960	2	Au+Ni	1,2,3....32 a+b+c	NO	NO
36509-0003	MM-B2600-R960	3	Au+Ni	1,2,3....32 a+b+c	NO	NO
36509-0007	MM-B2400-R910	1	Au+Ni	1,2,3....32 a+b+c	YES	NO
36509-0008	MM-B2500-R910	2	Au+Ni	1,2,3....32 a+b+c	YES	NO
36509-0009	MM-B2600-R910	3	Au+Ni	1,2,3....32 a+b+c	YES	NO
36509-0013	MM-B2400-R960-101	1	Au+Ni	1,2,3....32 a+b+c	NO	YES
36509-0014	MM-B2500-R960-101	2	Au+Ni	1,2,3....32 a+b+c	NO	YES
36509-0015	MM-B2600-R960-101	3	Au+Ni	1,2,3....32 a+b+c	NO	YES
36509-0019	MM-B2400-R910-101	1	Au+Ni	1,2,3....32 a+b+c	YES	YES
36509-0020	MM-B2500-R910-101	2	Au+Ni	1,2,3....32 a+b+c	YES	YES
36509-0021	MM-B2600-R910-101	3	Au+Ni	1,2,3....32 a+b+c	YES	YES



RoHS COMPLIANT

EC No: 2007/0044 DRAWN BY: DRINGSATTI/MARCO 2006/10/10 CHECKED BY: CHIKKOSUDHAR 2006/10/11 APPROVED BY: APPR/SSUDHAR 2006/10/16	QUALITY SYMBOLS ▽=0 ▽=0	GENERAL TOLERANCES (UNLESS SPECIFIED) <table border="1"> <thead> <tr> <th></th> <th>mm</th> <th>INCH</th> </tr> </thead> <tbody> <tr> <td>4 PLACES</td> <td>± 0.15</td> <td>± 0.006</td> </tr> <tr> <td>3 PLACES</td> <td>± 0.05</td> <td>± 0.002</td> </tr> <tr> <td>2 PLACES</td> <td>± 0.1</td> <td>± 0.004</td> </tr> <tr> <td>1 PLACE</td> <td>± 0.15</td> <td>± 0.006</td> </tr> </tbody> </table>		mm	INCH	4 PLACES	± 0.15	± 0.006	3 PLACES	± 0.05	± 0.002	2 PLACES	± 0.1	± 0.004	1 PLACE	± 0.15	± 0.006	DIMENSION STYLE MM ONLY	SCALE 2:1	DESIGN UNITS METRIC	THIRD ANGLE PROJECTION
		mm	INCH																		
4 PLACES	± 0.15	± 0.006																			
3 PLACES	± 0.05	± 0.002																			
2 PLACES	± 0.1	± 0.004																			
1 PLACE	± 0.15	± 0.006																			
DRAFT WHERE APPLICABLE MUST REMAIN WITHIN DIMENSIONS	SEE CHART	MATERIAL NO. SD-36509-001	DOCUMENT NO. SD-36509-001	SHEET NO. 2 OF 2																	



Компания «ЭлектроПласт» предлагает заключение долгосрочных отношений при поставках импортных электронных компонентов на взаимовыгодных условиях!

Наши преимущества:

- Оперативные поставки широкого спектра электронных компонентов отечественного и импортного производства напрямую от производителей и с крупнейших мировых складов;
- Поставка более 17-ти миллионов наименований электронных компонентов;
- Поставка сложных, дефицитных, либо снятых с производства позиций;
- Оперативные сроки поставки под заказ (от 5 рабочих дней);
- Экспресс доставка в любую точку России;
- Техническая поддержка проекта, помощь в подборе аналогов, поставка прототипов;
- Система менеджмента качества сертифицирована по Международному стандарту ISO 9001;
- Лицензия ФСБ на осуществление работ с использованием сведений, составляющих государственную тайну;
- Поставка специализированных компонентов (Xilinx, Altera, Analog Devices, Intersil, Interpoint, Microsemi, Aeroflex, Peregrine, Syfer, Eurofarad, Texas Instrument, Miteq, Cobham, E2V, MA-COM, Hittite, Mini-Circuits, General Dynamics и др.);

Помимо этого, одним из направлений компании «ЭлектроПласт» является направление «Источники питания». Мы предлагаем Вам помощь Конструкторского отдела:

- Подбор оптимального решения, техническое обоснование при выборе компонента;
- Подбор аналогов;
- Консультации по применению компонента;
- Поставка образцов и прототипов;
- Техническая поддержка проекта;
- Защита от снятия компонента с производства.



Как с нами связаться

Телефон: 8 (812) 309 58 32 (многоканальный)

Факс: 8 (812) 320-02-42

Электронная почта: org@eplast1.ru

Адрес: 198099, г. Санкт-Петербург, ул. Калинина, дом 2, корпус 4, литера А.