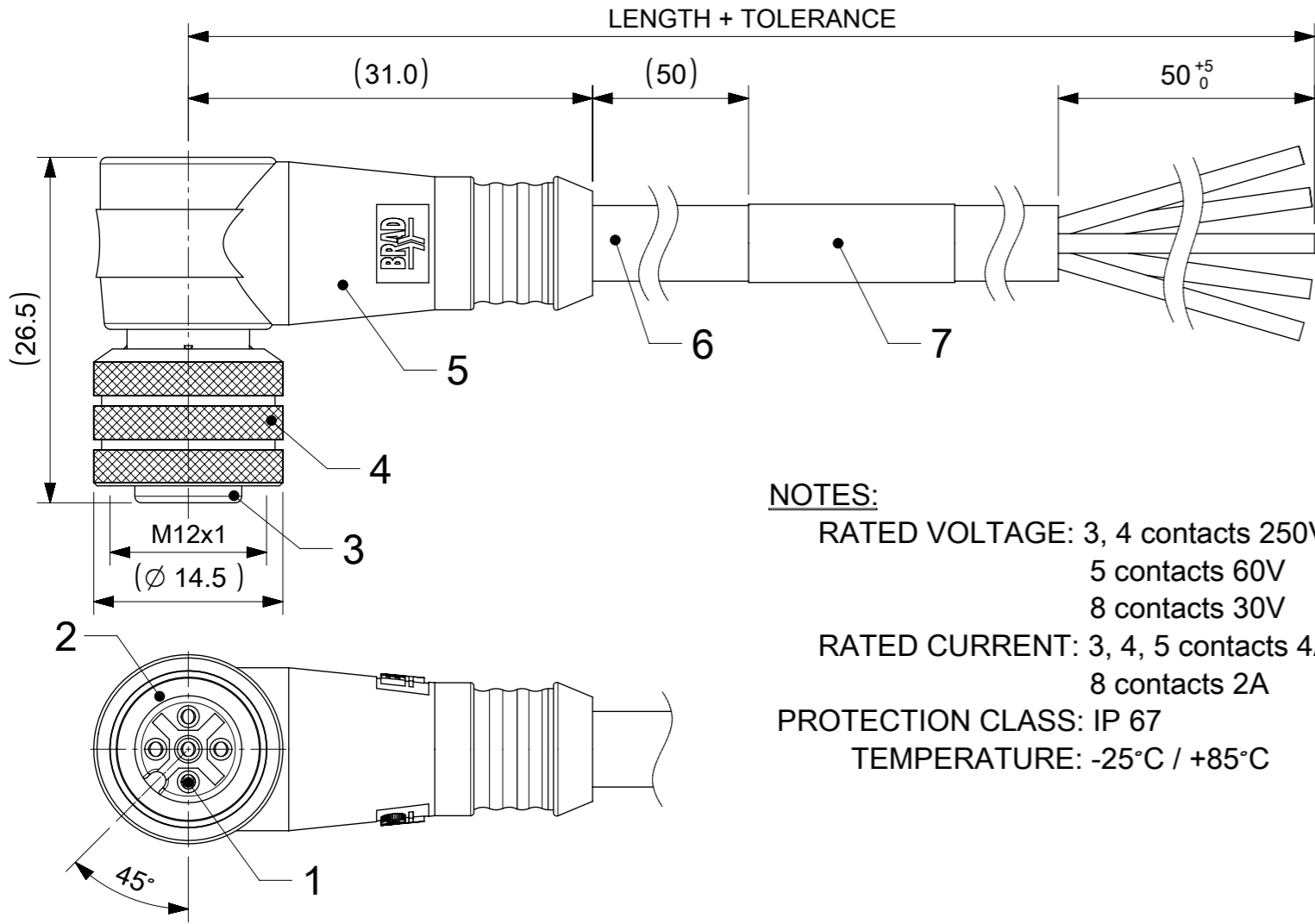
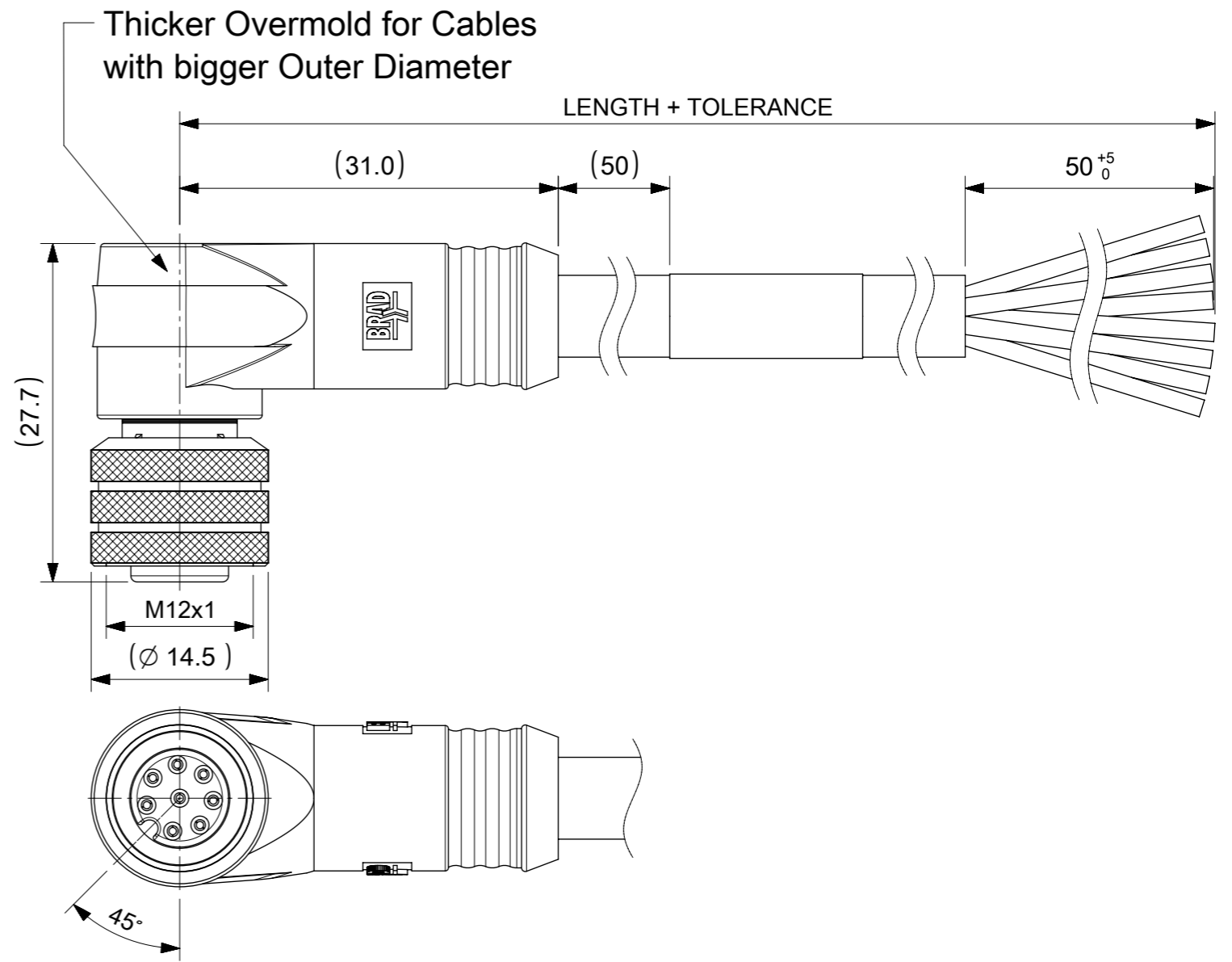


# FEMALE PLUG M12 90° ANGLED



**NOTES:**  
 RATED VOLTAGE: 3, 4 contacts 250V  
 5 contacts 60V  
 8 contacts 30V  
 RATED CURRENT: 3, 4, 5 contacts 4A  
 8 contacts 2A  
 PROTECTION CLASS: IP 67  
 TEMPERATURE: -25°C / +85°C



## CONTACTS POSITION FRONT VIEW:

3 CONTACTS		4 CONTACTS		5 CONTACTS		8 CONTACTS	
PIN	WIRE	PIN	WIRE	PIN	WIRE	PIN	WIRE
1	BROWN	1	BROWN	1	BROWN	1	WHITE
2	---	2	WHITE	2	WHITE	2	BROWN
3	BLUE	3	BLUE	3	BLUE	3	GREEN
4	BLACK	4	BLACK	4	BLACK	4	YELLOW
5	---	5	---	5	GREY	5	GREY
						6	PINK
						7	BLUE
						8	RED

CODING REQUIRED TO IEC 61076-2-101

## FOR OPTIONS SEE - NUMERICAL CODE - ON SHEET 2

ITEM	QTY.	DESCRIPTION	MATERIAL	FINISH
7	1	LABEL YELLOW	VINYL	---
6	-	CABLE	SEE SHEET 2	---
5	-	OVERMOLDING BLACK	TPU	---
4	1	COUPLING NUT FEMALE	BRASS	NICKEL
3	1	INSERT FEMALE BLACK	PUR	---
2	1	ORING RED	FPM	---
1	3 / 4 / 5 / 8	CONTACT M12 FEMALE	BRASS	SELECTIVE Au OVER Ni

<b>SYMBOLS</b> DIMENSION UNITS: mm SCALE: 2:1 GENERAL TOLERANCES (UNLESS SPECIFIED): ANGULAR TOL ± 1.0° 4 PLACES ± 3 PLACES ± 2 PLACES ± 0.05 1 PLACE ± 0.3 0 PLACES ± 0.5 DRAFT WHERE APPLICABLE MUST REMAIN WITHIN DIMENSIONS THIRD ANGLE PROJECTION	THIS DRAWING CONTAINS INFORMATION THAT IS PROPRIETARY TO MOLEX ELECTRONIC TECHNOLOGIES, LLC AND SHOULD NOT BE USED WITHOUT WRITTEN PERMISSION CURRENT REV DESC: NEW P/N ADDED TO PART LIST EC NO: 627102 DRWN: SSM 2019/11/06 CHK'D: RSILLER 2019/11/08 APPR: RSILLER 2019/11/08 INITIAL REVISION: DRWN: JMARSZALEK 2015/10/30 APPR: RSILLER 2016/04/08	 CSE M12 XP AC FE RA XM SE UNSH PRODUCT CUSTOMER DRAWING	
	DOCUMENT NUMBER: 1200658573 DOC TYPE: PSD DOC PART: 000 REVISION: A4	MATERIAL NUMBER: 120065 CUSTOMER: GENERAL MARKET SHEET NUMBER: 1 OF 4	

ENGINEERING NO. - NUMERICAL CODE (Available parts see PART LIST table. Others on request).

8 0 X 0 0 1 X X X X X X X X

80=M12x1  
Single ended

Contacts:  
3=3 Contacts  
4=4 Contacts  
5=5 Contacts  
8=8 Contacts

Heads style:  
001=Plug Female  
90° Angled

Cable type: See Table

Units:  
M=Meter

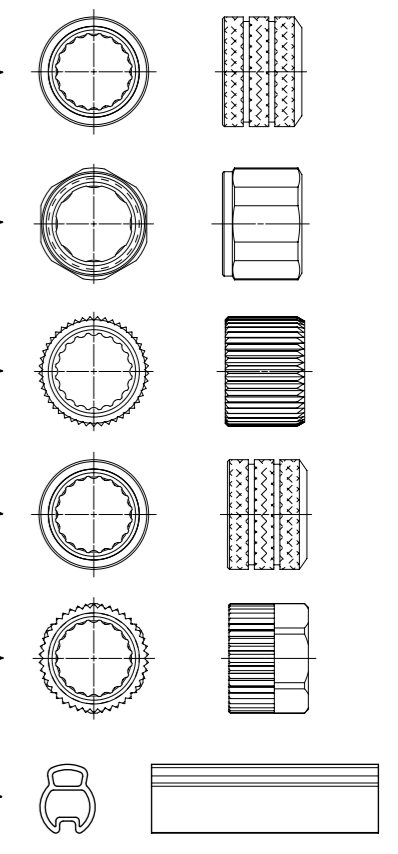
Length  
Examples:  
005=0.5 unit  
010=1 unit  
100=10 units

Overmold color:  
Blank (Standard)=Black  
A=Grey / G=Black / Y=Yellow

Coupling Nut:  
Blank (Standard) & 3=Knurled Brass Ni Plated  
1=Hexagonal Stainless steel  
5=Knurled Derlin  
7=Knurled Brass Ni Plated, Teflon Coated  
9=Knurled / Hexagonal Brass Ni Plated

H= 2 pcs. of I/D Carrier PVC Transparent

COUPLING NUTS

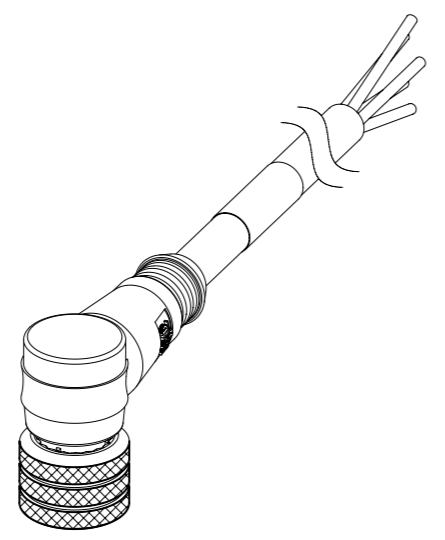


CABLE INFORMATION (for more information see Cable Data Sheet).

CABLE TYPE	NO. OF WIRES	CROSS SECTION	CABLE JACKET	UL	CSA	STATIC: TEMP. / BENDING RADIUS	DYNAMIC: TEMP. / BENDING RADIUS	DRAG CHAIN	SHIELD
E02	3 / 4 / 5 / 8	0.25mm <sup>2</sup>	PVC BLACK	UL 2464/1729	C22.2 I/II A/B 80°C/300V	-30°C to +80°C, 10xO.D.	-10°C to +80°C, 15xO.D.	-	-
E03	3 / 4 / 5	0.34mm <sup>2</sup>	PVC BLACK	UL 2464/1729	C22.2 I/II A/B 80°C/300V	-30°C to +80°C, 10xO.D.	-10°C to +80°C, 15xO.D.	-	-
H08	3 / 4 / 5 / 8	0.25mm <sup>2</sup>	PUR BLACK LS0H	UL 21198/10493	C22.2 I/II A/B 80°C/300V	-40°C to +80°C, 5xO.D.	-25°C to +80°C, 10xO.D.	2 000 000 cycles at 20°C, Temp. range +5°C to +60°C	-
H09	3 / 4 / 5	0.34mm <sup>2</sup>	PUR BLACK LS0H	UL 21198/10493	C22.2 I/II A/B 80°C/300V	-40°C to +80°C, 5xO.D.	-25°C to +80°C, 10xO.D.	2 000 000 cycles at 20°C, Temp. range +5°C to +60°C	-
P02	3 / 4 / 5 / 8	0.25mm <sup>2</sup>	PUR / PVC BLACK	-	-	-30°C to +80°C, 7xO.D.	-5°C to +80°C, 15xO.D.	-	-
P03	3 / 4 / 5	0.34mm <sup>2</sup>	PUR / PVC BLACK	-	-	-30°C to +80°C, 7xO.D.	-5°C to +80°C, 15xO.D.	-	-

CABLE LENGTH TOLERANCES

OVER	UP TO AND INCLUDING	TOLERANCES
0	305mm	+19mm
305mm	915mm	+45mm
915mm	1830mm	+56mm
1830mm	3660mm	+89mm
3660mm	7320mm	+165mm
7320mm	14640mm	+317mm
14640mm	30500mm	+610mm
30500mm	>	+2% of finished length




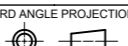
SCALE 1:1

<b>SYMBOLS</b> DIMENSION UNITS: mm SCALE: 1:1 GENERAL TOLERANCES (UNLESS SPECIFIED): ANGULAR TOL ± 1.0° 4 PLACES ± 3 PLACES ± 2 PLACES ± 0.05 1 PLACE ± 0.3 0 PLACES ± 0.5 DRAFT WHERE APPLICABLE MUST REMAIN WITHIN DIMENSIONS THIRD ANGLE PROJECTION	THIS DRAWING CONTAINS INFORMATION THAT IS PROPRIETARY TO MOLEX ELECTRONIC TECHNOLOGIES, LLC AND SHOULD NOT BE USED WITHOUT WRITTEN PERMISSION CURRENT REV DESC: NEW P/N ADDED TO PART LIST EC NO: 627102 DRWN: SSM 2019/11/06 CHK'D: RSILLER 2019/11/08 APPR: RSILLER 2019/11/08 INITIAL REVISION: DRWN: JMARSZALEK 2015/10/30 APPR: RSILLER 2016/04/08		
	PRODUCT CUSTOMER DRAWING DOCUMENT NUMBER: 1200658573 DOC TYPE: PSD DOC PART: 000 REVISION: A4 MATERIAL NUMBER: 120065 CUSTOMER: GENERAL MARKET SHEET NUMBER: 2 OF 4		



# PART LIST

No.	Part No.	Engineering No.	Cable Length	No.	Part No.	Engineering No.	Cable Length	No.	Part No.	Engineering No.	Cable Length	No.	Part No.	Engineering No.	Cable Length
141	1200658714	803001H09M015	1.5m	176	1200659164	804001E03M025	2.5m	211				246			
142	1200658715	803001H09M020	2m	177	1200659173	803001E03M050H	5m	212				247			
143	1200658716	803001H09M030	3m	178	1200659181	803001E03M100H	10m	213				248			
144	1200658717	803001H09M040	4m	179	1200659182	804001E03M020H	2m	214				249			
145	1200658718	803001H09M050	5m	180	1200659235	803001E03M300	30m	215				250			
146	1200658719	803001H09M100	10m	181	1200659266	804001P03M020Y	2m	216				251			
147	1200658783	804001E03M060	6m	182	1200659342	804001P03M1501	15m	217				252			
148	1200658884	804001E03M100H	10m	183	1200659343	804001P03M2501	25m	218				253			
149	1200658898	804001E03M150H	15m	184	1200659352	805001E03M1001	10m	219				254			
150	1200658931	808001E02M150	15m	185	1200659353	805001E03M2501	25m	220				255			
151	1200658932	808001E02M250	25m	186	1200659373	803001E02M030	3m	221				256			
152	1200658976	803001P03M0505	5m	187	1200659398	808001P02M100Y	10m	222				257			
153	1200658988	805001P03M050H	5m	188	1200659502	805001E03M005	0.5m	223				258			
154	1200658989	805001P03M100H	10m	189	1200659592	805001E03M080	8m	224				259			
155	1200658992	804001P03M050H	5m	190	1200659637	808001E02M1001	10m	225				260			
156	1200659032	804001E02M050	5m	191	1200659675	804001H09M220	22m	226				261			
157	1200659033	804001E02M100	10m	192	1200659738	804001P03M015	1.5m	227				262			
158	1200659039	804001E02M070	7m	193	1200659775	803001P03M050HY	5m	228				263			
159	1200659048	804001E02M1001	10m	194	120063754	808001P02M0501A	5m	229				264			
160	1200659056	803001E03M050Y	5m	195	1200656065	808001E02M0601	6m	230				265			
161	1200659057	803001E03M100Y	10m	196	1200659637	808001E02M1001	10m	231				266			
162	1200659061	804001E03M020Y	2m	197	1200656595	804001E02M0501	5m	232				267			
163	1200659062	804001E03M050Y	5m	198	1200656382	808001P02M400	40m	233				268			
164	1200659063	804001E03M100Y	10m	199				234				269			
165	1200659074	803001E03M150Y	15m	200				235				270			
166	1200659077	804001E03M150Y	15m	201				236				271			
167	1200659083	805001E03M100Y	10m	202				237				272			
168	1200659095	804001H09M050HY	5m	203				238				273			
169	1200659099	804001H09M050Y	5m	204				239				274			
170	1200659101	808001H08M050Y	5m	205				240				275			
171	1200659105	808001H08M100Y	10m	206				241				276			
172	1200659108	804001P03M050HY	5m	207				242				277			
173	1200659124	804001H09M100HY	10m	208				243				278			
174	1200659140	805001H09M200	20m	209				244				279			
175	1200659147	805001E03M200	20m	210				245				280			

SYMBOLS	THIS DRAWING CONTAINS INFORMATION THAT IS PROPRIETARY TO MOLEX ELECTRONIC TECHNOLOGIES, LLC AND SHOULD NOT BE USED WITHOUT WRITTEN PERMISSION		 CSE M12 XP AC FE RA XM SE UNSH PRODUCT CUSTOMER DRAWING		
	DIMENSION UNITS	SCALE			CURRENT REV DESC: NEW P/N ADDED TO PART LIST
	mm	1:1			
	GENERAL TOLERANCES (UNLESS SPECIFIED)				
▽ = 0	ANGULAR TOL ± 1.0°	EC NO: 627102			
▽ = 0	4 PLACES ±	DRWN: SSM 2019/11/06			
▽ = 0	3 PLACES ±	CHK'D: RSILLER 2019/11/08			
▽ = 0	2 PLACES ± 0.05	APPR: RSILLER 2019/11/08			
▽ = 0	1 PLACE ± 0.3	INITIAL REVISION:			
▽ = 0	0 PLACES ± 0.5	DRWN: JMARSZALEK 2015/10/30			
■ = 0	DRAFT WHERE APPLICABLE MUST REMAIN WITHIN DIMENSIONS	APPR: RSILLER 2016/04/08			
▽ = 0	THIRD ANGLE PROJECTION	DRAWING	SERIES		
		A3-SIZE	120065		
		MATERIAL NUMBER	CUSTOMER		
		SEE PART LIST	GENERAL MARKET		
		DOCUMENT NUMBER	DOC TYPE DOC PART REVISION		
		1200658573	PSD 000 A4		
			SHEET NUMBER		
			4 OF 4		



Компания «ЭлектроПласт» предлагает заключение долгосрочных отношений при поставках импортных электронных компонентов на взаимовыгодных условиях!

Наши преимущества:

- Оперативные поставки широкого спектра электронных компонентов отечественного и импортного производства напрямую от производителей и с крупнейших мировых складов;
- Поставка более 17-ти миллионов наименований электронных компонентов;
- Поставка сложных, дефицитных, либо снятых с производства позиций;
- Оперативные сроки поставки под заказ (от 5 рабочих дней);
- Экспресс доставка в любую точку России;
- Техническая поддержка проекта, помощь в подборе аналогов, поставка прототипов;
- Система менеджмента качества сертифицирована по Международному стандарту ISO 9001;
- Лицензия ФСБ на осуществление работ с использованием сведений, составляющих государственную тайну;
- Поставка специализированных компонентов (Xilinx, Altera, Analog Devices, Intersil, Interpoint, Microsemi, Aeroflex, Peregrine, Syfer, Eurofarad, Texas Instrument, Miteq, Cobham, E2V, MA-COM, Hittite, Mini-Circuits, General Dynamics и др.);

Помимо этого, одним из направлений компании «ЭлектроПласт» является направление «Источники питания». Мы предлагаем Вам помощь Конструкторского отдела:

- Подбор оптимального решения, техническое обоснование при выборе компонента;
- Подбор аналогов;
- Консультации по применению компонента;
- Поставка образцов и прототипов;
- Техническая поддержка проекта;
- Защита от снятия компонента с производства.



#### Как с нами связаться

**Телефон:** 8 (812) 309 58 32 (многоканальный)

**Факс:** 8 (812) 320-02-42

**Электронная почта:** [org@eplast1.ru](mailto:org@eplast1.ru)

**Адрес:** 198099, г. Санкт-Петербург, ул. Калинина, дом 2, корпус 4, литера А.