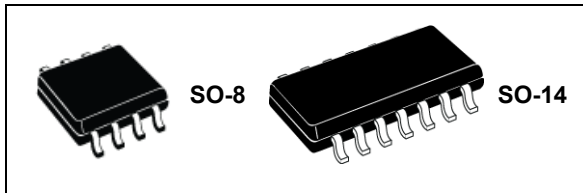


## High voltage high and low-side 2 A gate driver

Datasheet - production data



### Features

- Transient withstand voltage 600 V
- $dV/dt$  immunity  $\pm 50$  V/ns in full temperature range
- Driver current capability:
  - 2 A source typ. at 25 °C
  - 2.5 A sink typ. at 25 °C
- Short propagation delay: 85 ns
- Switching times 25 ns rise/fall with 1 nF load
- 3.3 V, 5 V TTL/CMOS inputs with hysteresis
- Integrated bootstrap diode
- Interlocking function
- UVLO on both high-side and low-side sections
- Compact and simplified layout
- Bill of material reduction
- Flexible, easy and fast design

### Applications

- Motor driver for home appliances, factory automation, industrial drives and fans
- HID ballasts
- Power supply units
- DC-DC converters
- Induction heating
- Wireless chargers
- Industrial inverters
- UPS
- Welding

### Description

The L6498 is a high voltage device manufactured with the BCD6 “OFF-LINE” technology. It is a single chip half-bridge gate driver for the N-channel power MOSFET or IGBT.

The high-side (floating) section is designed to stand a DC voltage rail up to 500 V, with 600 V transient withstand voltage. The logic inputs are CMOS/TTL compatible down to 3.3 V for easy interfacing control units such as microcontrollers or DSP.

Both device outputs can sink 2.5 A and source 2 A, making the L6498 particularly suited for medium and high capacity power MOSFETs\IGBTs.

The outputs cannot be simultaneously driven high thanks to an integrated interlocking function.

The independent UVLO protection circuits present on both the lower and upper driving sections prevent the power switches from being operated in low efficiency or dangerous conditions.

The integrated bootstrap diode as well as all of the integrated features of this driver make the application PCB design simpler and more compact, and help to reduce the overall bill of material.

# Contents

<b>1</b>	<b>Block diagrams</b> .....	<b>3</b>
<b>2</b>	<b>Pin description and connection diagram</b> .....	<b>4</b>
<b>3</b>	<b>Electrical data</b> .....	<b>5</b>
3.1	Absolute maximum ratings .....	5
3.2	Thermal data .....	5
3.3	Recommended operating conditions .....	6
<b>4</b>	<b>Electrical characteristics</b> .....	<b>7</b>
<b>5</b>	<b>Truth table</b> .....	<b>9</b>
<b>6</b>	<b>Typical application diagram</b> .....	<b>10</b>
<b>7</b>	<b>Bootstrap driver</b> .....	<b>12</b>
	$C_{BOOT}$ selection and charging .....	12
<b>8</b>	<b>Package information</b> .....	<b>14</b>
8.1	SO-8 package information .....	15
8.2	SO-14 package information .....	17
<b>9</b>	<b>Ordering information</b> .....	<b>19</b>
<b>10</b>	<b>Revision history</b> .....	<b>19</b>

# 1 Block diagrams

Figure 1. Block diagram SO-8

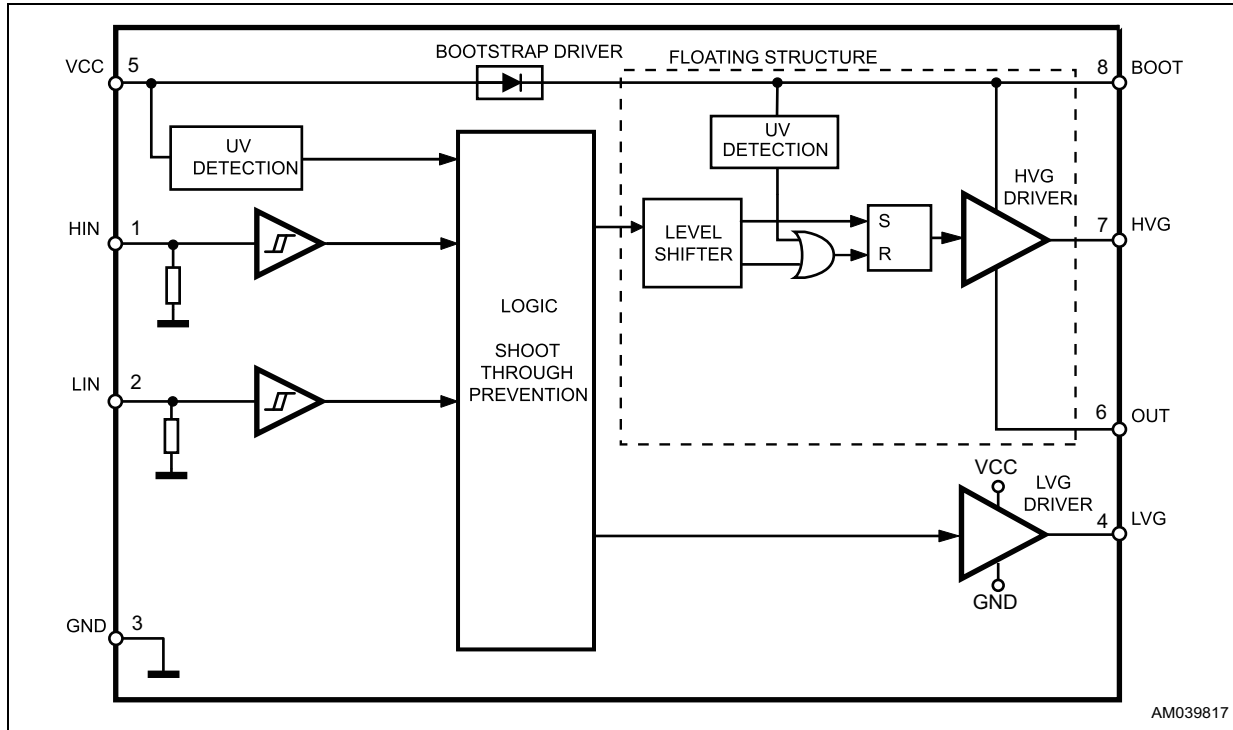
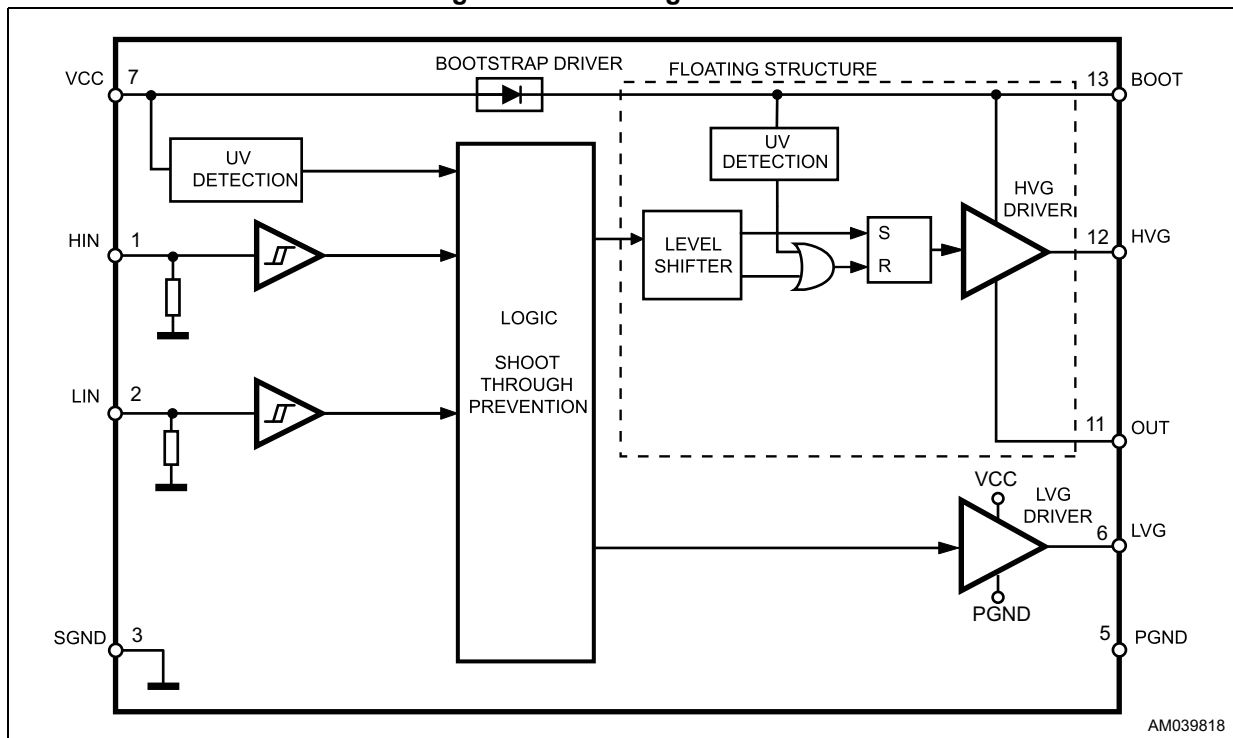


Figure 2. Block diagram SO-14



## 2 Pin description and connection diagram

Figure 3. Pin connection SO-8 (top view)

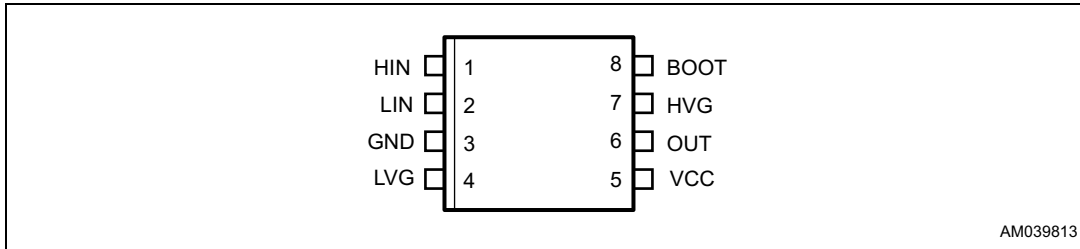


Figure 4. Pin connection SO-14 (top view)

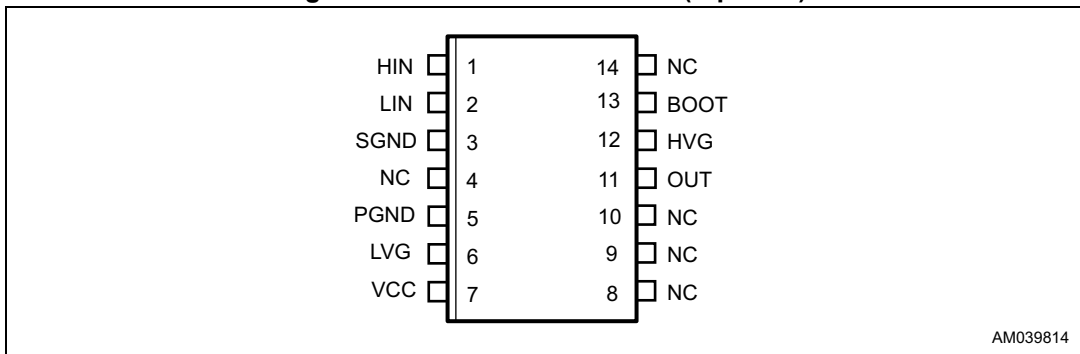


Table 1. Pin description

Pin no.		Pin name	Type	Function
SO-8	SO-14			
1	1	HIN	I	High-side driver logic input (active high)
2	2	LIN	I	Low-side driver logic input (active high)
3	-	GND	P	Device ground
4	6	LVG <sup>(1)</sup>	O	Low-side driver output
5	7	VCC	P	Lower section supply voltage
6	11	OUT	P	High-side (floating) common voltage
7	12	HVG <sup>(1)</sup>	O	High-side driver output
8	13	BOOT	P	Bootstrapped supply voltage
-	3	SGND	P	Signal ground
-	5	PGND	P	Power ground
-	4, 8, 9, 10, 14	NC	-	Not connected

1. The circuit guarantees less than 1 V on the LVG and HVG pins (at  $I_{sink} = 10 \text{ mA}$ ), with  $V_{CC} > 3 \text{ V}$ . This allows omitting the "bleeder" resistor connected between the gate and the source of the external MOSFET normally used to hold the pin low.

## 3 Electrical data

### 3.1 Absolute maximum ratings

Table 2. Absolute maximum ratings<sup>(1)</sup>

Symbol	Parameter	Value		Unit
		Min.	Max.	
$V_{CC}$	Supply voltage	-0.3	21	V
$V_{PGND}$	Low-side driver ground	$V_{CC} - 21$	$V_{CC} + 0.3$	V
$V_{OUT}$	Output voltage	$V_{BOOT} - 21$	$V_{BOOT} + 0.3$	V
$V_{BOOT}$	Boot DC voltage	-0.3	500	V
	Boot transient withstand voltage ( $T_{pulse} < 1$ ms)	-	620	V
$V_{hvg}$	High-side gate output voltage	$V_{OUT} - 0.3$	$V_{BOOT} + 0.3$	V
$V_{lvg}$	Low-side gate output voltage	(P)GND - 0.3	$V_{CC} + 0.3$	V
$V_i$	Logic input pins voltage	-0.3	15	V
$dV_{OUT}/dt$	Allowed output slew rate	-	50	V/ns
$P_{TOT}$	Total power dissipation ( $T_A = 25$ °C) SO-14	-	1	W
$T_J$	Junction temperature	-	150	°C
$T_{stg}$	Storage temperature	-50	150	°C
ESD	Human body model	2		kV

1. Each voltage referred to GND/SGND unless otherwise specified.

### 3.2 Thermal data

Table 3. Thermal data

Symbol	Parameter	Package	Value	Unit
$R_{th(JA)}$	Thermal resistance junction to ambient	SO-8	185	°C/W
		SO-14	120	

### 3.3 Recommended operating conditions

Table 4. Recommended operating conditions

Symbol	Pin	Parameter	Test condition	Min.	Max.	Unit
$V_{CC}$	VCC	Supply voltage	-	10	20	V
$V_{PS}^{(1)}$	SGND - PGND	Low-side driver ground	-	-5	+5	V
$V_{BO}^{(2)}$	BOOT - OUT	Floating supply voltage	-	9.3	20	V
$V_{OUT}$	OUT	DC output voltage	-	- 9 <sup>(3)</sup>	480	V
		OUT transient withstand voltage	$T_{pulse} < 1 \text{ ms}$	-	600	V
$f_{SW}$	-	Maximum switching frequency	HVG, LVG load $C_L = 1 \text{ nF}$	-	800	kHz
$T_J$	-	Junction temperature	-	-40	125	°C
$T_A$	-	Ambient temperature <sup>(4)</sup>	-	-40	125	°C

1.  $V_{PS} = V_{PGND} - SGND$ .

2.  $V_{BO} = V_{BOOT} - V_{OUT}$ .

3. LVG off.  $V_{CC} = 12.5 \text{ V}$ . Logic is operational if  $V_{BOOT} > 5 \text{ V}$ .

4. Maximum ambient temperature is actually limited by  $T_J$ .

## 4 Electrical characteristics

Table 5. Electrical characteristics ( $V_{CC} = 15\text{ V}$ ;  $T_J = +25\text{ °C}$ ;  $PGND = SGND$ )

Symbol	Pin	Parameter	Test condition	Min.	Typ.	Max.	Unit
<b>Low-side section supply</b>							
$V_{CC\_hys}$	VCC vs. (S)GND	$V_{CC}$ UV hysteresis	-	0.5	0.6	0.72	V
$V_{CC\_thON}$		$V_{CC}$ UV turn ON threshold	-	8.7	9.3	9.8	V
$V_{CC\_thOFF}$		$V_{CC}$ UV turn OFF threshold	-	8.2	8.7	9.2	V
$I_{QCCU}$		Undervoltage quiescent supply current	$V_{CC} = 7\text{ V}$ LIN = GND; HIN = GND	-	160	210	$\mu\text{A}$
$I_{QCC}$		Quiescent current	$V_{CC} = 15\text{ V}$ LIN = 5 V; HIN = GND	-	340	480	$\mu\text{A}$
<b>High-side floating section supply<sup>(1)</sup></b>							
$V_{BO\_hys}$	BOOT vs. OUT	$V_{BO}$ UV hysteresis	-	0.48	0.6	0.7	V
$V_{BO\_thON}$		$V_{BO}$ UV turn ON threshold	-	8.0	8.6	9.1	V
$V_{BO\_thOFF}$		$V_{BO}$ UV turn OFF threshold	-	7.5	8.0	8.5	V
$I_{QBOU}$		Undervoltage $V_{BO}$ quiescent current	$V_{BO} = 7\text{ V}$ LIN = GND; HIN = 5 V	-	20	30	$\mu\text{A}$
$I_{QBO}$		$V_{BO}$ quiescent current	$V_{BO} = 15\text{ V}$ LIN = GND; HIN = 5 V	-	90	120	$\mu\text{A}$
$I_{LK}$	-	High voltage leakage current	$V_{hvg} = V_{OUT} = V_{BOOT} = 600\text{ V}$	-	-	8	$\mu\text{A}$
$R_{DS(on)}$	-	Bootstrap diode on resistance <sup>(2)</sup>	-	-	175	-	$\Omega$
<b>Output driving buffers</b>							
$I_{so}$	LVG, HVG	High/low-side source short-circuit current	LVG/HVG ON $T_J = 25\text{ °C}$	1.7	2	-	A
			Full temperature range	1.4	-	-	A
$I_{si}$		High/low-side sink short-circuit current	LVG/HVG ON $T_J = 25\text{ °C}$	2	2.5	-	A
			Full temperature range	1.55	-	-	A
<b>Logic inputs</b>							
$V_{il}$	LIN, HIN vs. (S)GND	Low level logic threshold voltage	-	0.95	-	1.45	V
$V_{ih}$		High level logic threshold voltage	-	2	-	2.5	V
$I_{HINh}$	HIN vs. (S)GND	HIN logic "1" input bias current	HIN = 15 V	120	200	260	$\mu\text{A}$
$I_{HINl}$		HIN logic "0" input bias current	HIN = 0 V	-	-	1	$\mu\text{A}$
$I_{LINl}$	LIN vs. (S)GND	LIN logic "1" input bias current	LIN = 15 V	120	200	260	$\mu\text{A}$
$I_{LINh}$		LIN logic "0" input bias current	LIN = 0 V	-	-	1	$\mu\text{A}$

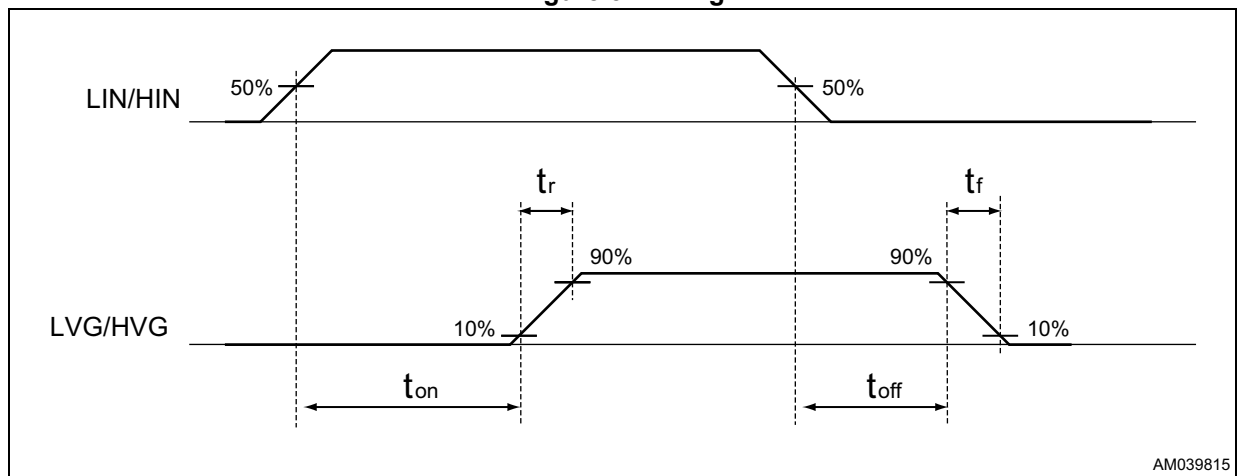
**Table 5. Electrical characteristics ( $V_{CC} = 15\text{ V}$ ;  $T_J = +25\text{ }^\circ\text{C}$ ;  $\text{PGND} = \text{SGND}$  (continued))**

Symbol	Pin	Parameter	Test condition	Min.	Typ.	Max.	Unit
$R_{PD}$	LIN, HIN vs. (S)GND	Logic inputs pull-down resistor	-	58	75	125	$k\Omega$
<b>Dynamic characteristics (see Figure 5)</b>							
$t_{on}$	HIN vs. HVG;	High/low-side driver turn-on propagation delay	$V_{OUT} = 0\text{ V}$ ; $V_{BOOT} = V_{CC}$ ;	-	85	120	ns
$t_{off}$	LIN vs. LVG	High/low-side driver turn-off propagation delay	$C_L = 1\text{ nF}$ ; $V_i = 0\text{ to }3.3\text{ V}$	-	85	120	ns
MT	-	Delay matching, HS and LS turn-on/off <sup>(3)</sup>	-	-	-	30	ns
$t_r$	LVG, HVG	Rise time	$C_L = 1\text{ nF}$	-	25	-	ns
$t_f$		Fall time	$C_L = 1\text{ nF}$	-	25	-	ns

- $V_{BO} = V_{BOOT} - V_{OUT}$ .
- $R_{DSON}$  is tested in the following way:  

$$R_{DSON} = [(V_{CC} - V_{BOOT1}) - (V_{CC} - V_{BOOT2})] / [I_1(V_{CC}, V_{BOOT1}) - I_2(V_{CC}, V_{BOOT2})]$$
 where  $I_1$  is BOOT pin current when  $V_{BOOT} = V_{BOOT1}$ ,  $I_2$  when  $V_{BOOT} = V_{BOOT2}$ .
- $MT = \max. (|t_{on}(LVG) - t_{off}(LVG)|, |t_{on}(HVG) - t_{off}(HVG)|, |t_{off}(LVG) - t_{on}(HVG)|, |t_{off}(HVG) - t_{on}(LVG)|)$ .

**Figure 5. Timing**





## 5 Truth table

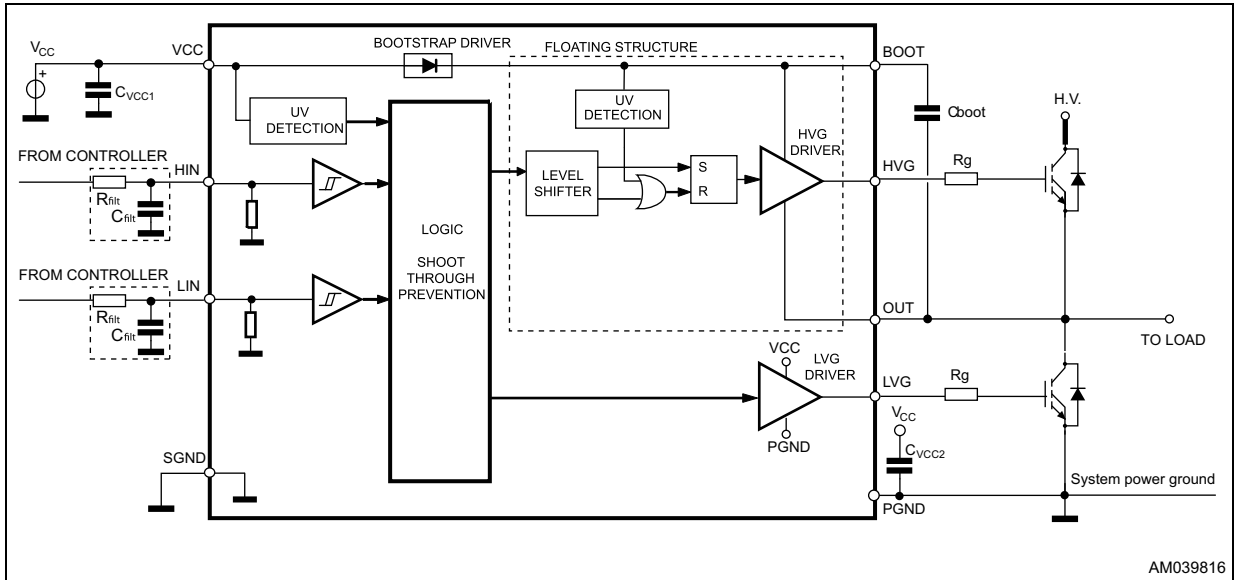
Table 6. Truth table

Input		Output	
LIN	HIN	LVG	HVG
L	L	L	L
L	H	L	H
H	L	H	L
H	H	L <sup>(1)</sup>	L <sup>(1)</sup>

1. Interlocking function.

# 6 Typical application diagram

Figure 6. Typical application diagram



AM039816

Figure 7. Suggested PCB layout (SO-8)

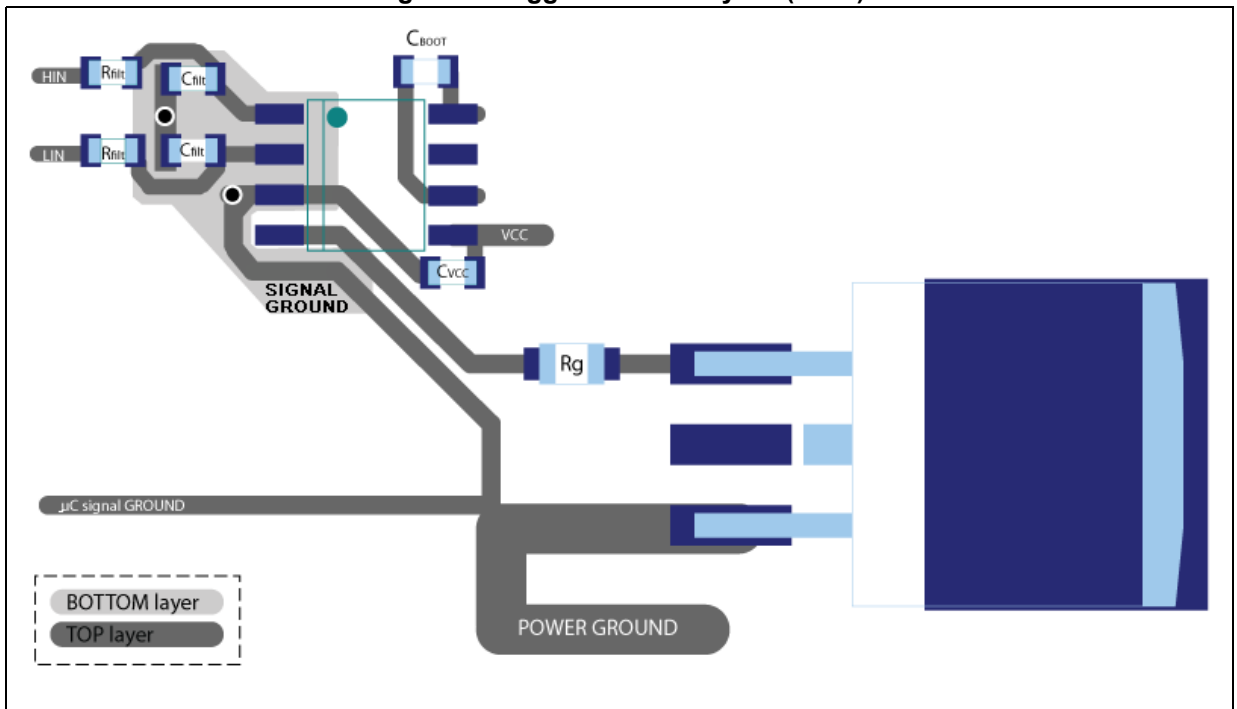
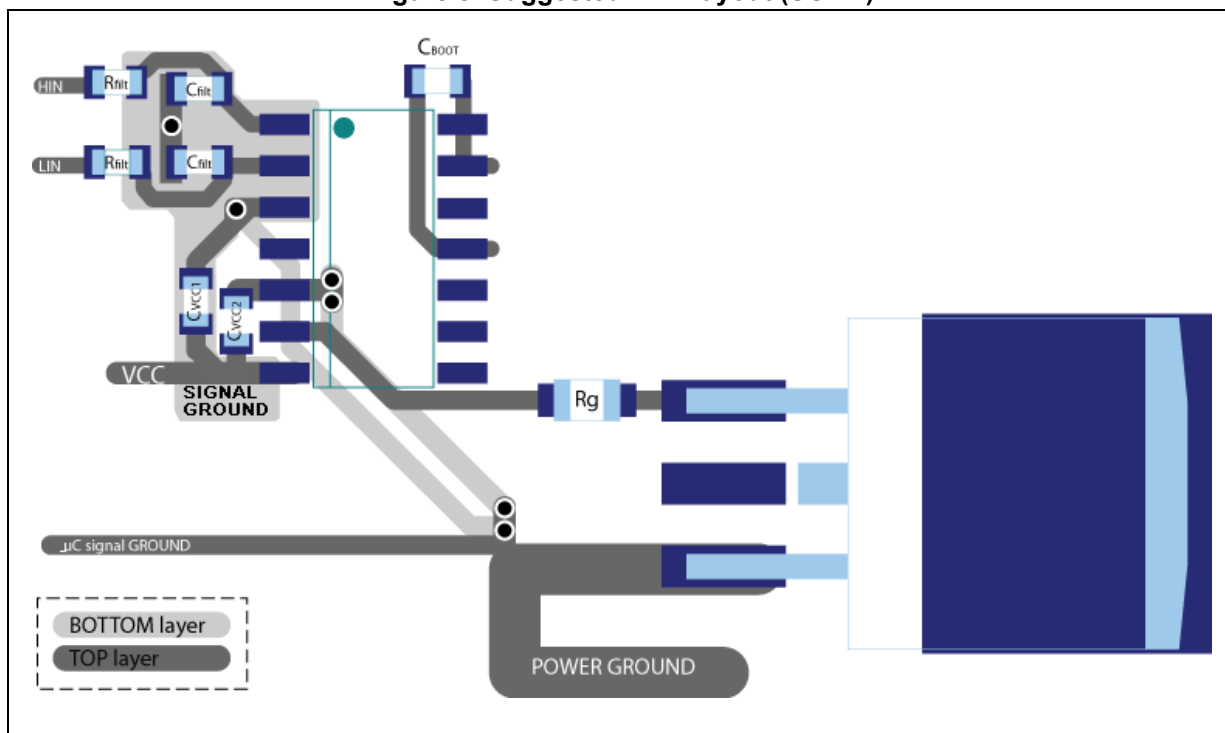


Figure 8. Suggested PCB layout (SO-14)



## 7 Bootstrap driver

A bootstrap circuitry is needed to supply the high voltage section. This function is usually accomplished by a high voltage fast recovery diode ([Figure 9](#)). In the L6498 an integrated structure replaces the external diode.

### $C_{BOOT}$ selection and charging

To choose the proper  $C_{BOOT}$  value the external MOS can be seen as an equivalent capacitor. This capacitor  $C_{EXT}$  is related to the MOS total gate charge:

#### Equation 1

$$C_{EXT} = \frac{Q_{gate}}{V_{gate}}$$

The ratio between the capacitors  $C_{EXT}$  and  $C_{BOOT}$  is proportional to the cyclical voltage loss. It has to be:

#### Equation 2

$$C_{BOOT} \gg \gg C_{EXT}$$

if  $Q_{gate}$  is 30 nC and  $V_{gate}$  is 10 V,  $C_{EXT}$  is 3 nF. With  $C_{BOOT} = 100$  nF the drop is 300 mV.

If HVG has to be supplied for a long time, the  $C_{BOOT}$  selection has also to take into account the leakage and quiescent losses.

HVG steady-state consumption is lower than 120  $\mu$ A, so if HVG  $T_{ON}$  is 5 ms,  $C_{BOOT}$  has to supply 0.6  $\mu$ C. This charge on a 1  $\mu$ F capacitor means a voltage drop of 0.6 V.

The internal bootstrap driver gives a great advantage: the external fast recovery diode can be avoided (it usually has great leakage current).

This structure can work only if  $V_{OUT}$  is close to SGND (or lower) and in the meanwhile the LVG is on. The charging time ( $T_{charge}$ ) of the  $C_{BOOT}$  is the time in which both conditions are fulfilled and it has to be long enough to charge the capacitor.

The bootstrap driver introduces a voltage drop due to the DMOS  $R_{DS(on)}$  (typical value: 175  $\Omega$ ). At low frequency this drop can be neglected. Anyway, the rise of frequency has to take into account.

The following equation is useful to compute the drop on the bootstrap DMOS:

#### Equation 3

$$V_{drop} = I_{charge} R_{DS(on)} \rightarrow V_{drop} = \frac{Q_{gate}}{T_{charge}} R_{DS(on)}$$

where  $Q_{gate}$  is the gate charge of the external power MOS,  $R_{DS(on)}$  is the on resistance of the bootstrap DMOS and  $T_{charge}$  is the charging time of the bootstrap capacitor.

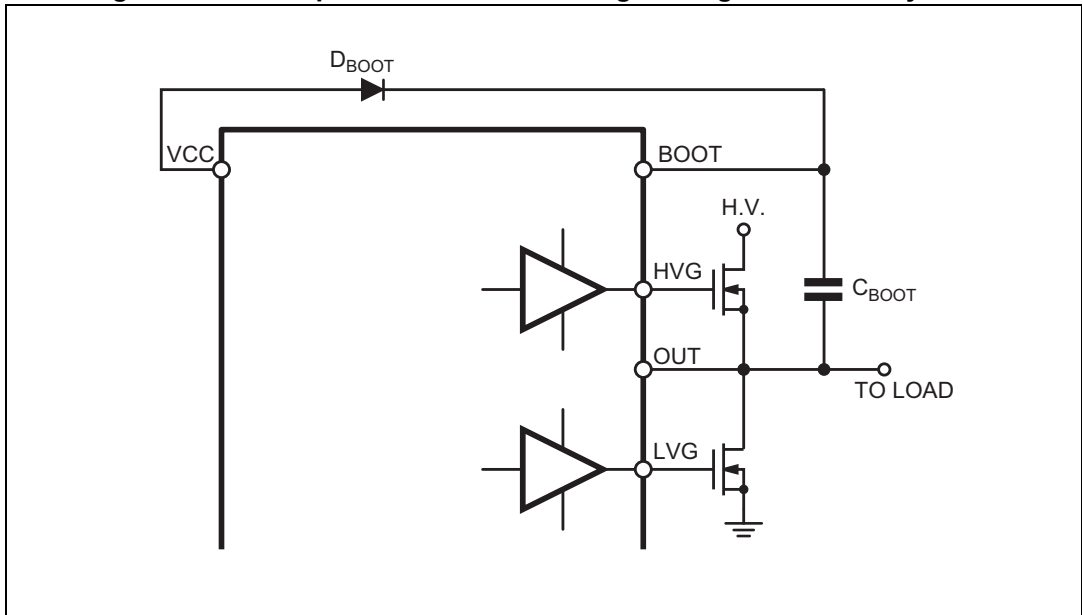
For example: using a power MOS with a total gate charge of 30 nC the drop on the bootstrap DMOS is about 1 V, if the  $T_{\text{charge}}$  is 5  $\mu\text{s}$ . In fact:

**Equation 4**

$$V_{\text{drop}} = \frac{30\text{nC}}{5\mu\text{s}} \cdot 175\Omega \sim 1\text{V}$$

$V_{\text{drop}}$  has to be taken into account when the voltage drop on  $C_{\text{BOOT}}$  is calculated: if this drop is too high, or the circuit topology doesn't allow a sufficient charging time, an external diode can be used.

**Figure 9. Bootstrap driver with external high voltage fast recovery diode**



## 8 Package information

In order to meet environmental requirements, ST offers these devices in different grades of ECOPACK<sup>®</sup> packages, depending on their level of environmental compliance. ECOPACK<sup>®</sup> specifications, grade definitions and product status are available at: [www.st.com](http://www.st.com). ECOPACK<sup>®</sup> is an ST trademark.

### 8.1 SO-8 package information

Figure 10. SO-8 package outline

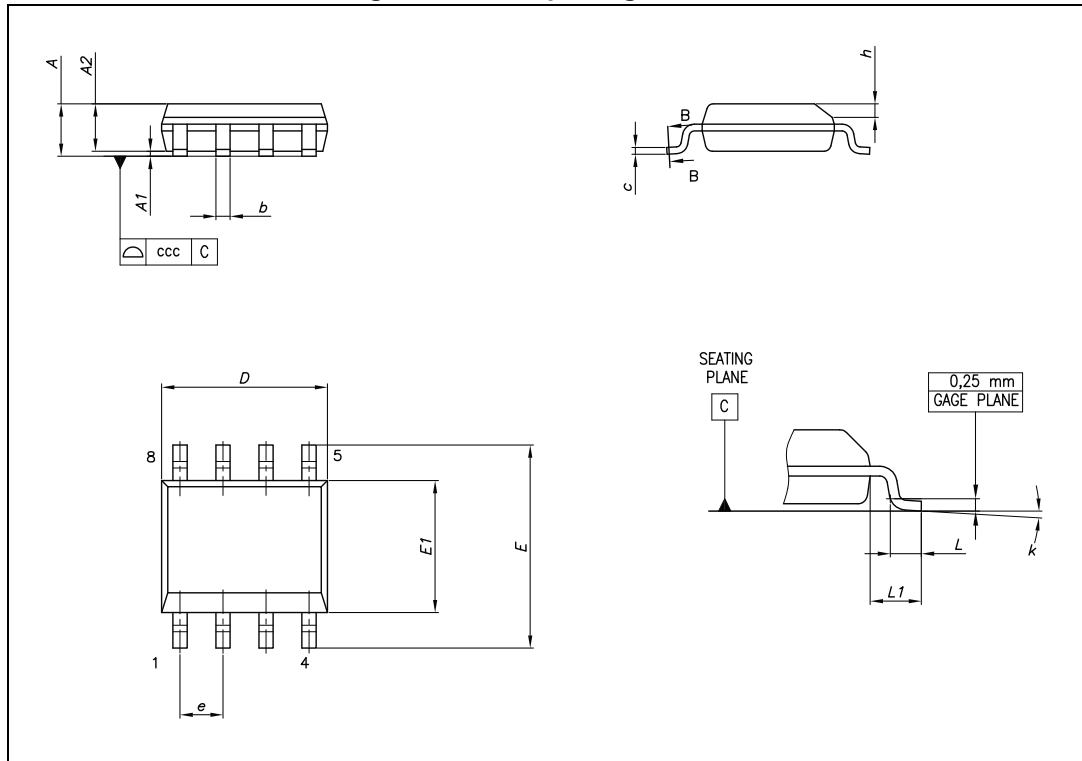
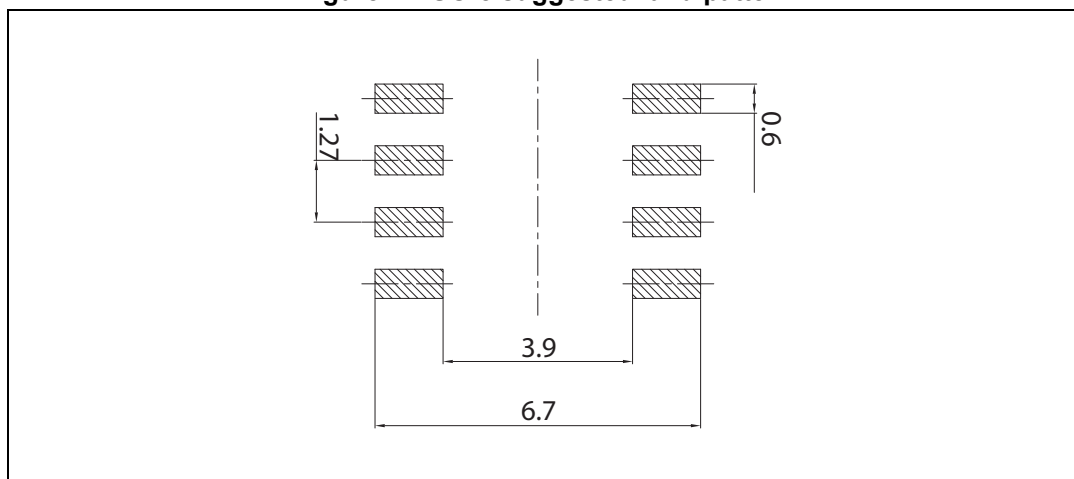


Table 7. SO-8 package mechanical data

Symbol	Dimensions (mm)			Notes
	Min.	Typ.	Max.	
A	-	-	1.75	-
A1	0.10	-	0.25	-
A2	1.25	-	-	-
b	0.28	-	0.48	-
c	0.17	-	0.23	-
D	4.80	4.90	5.00	-
E	5.80	6.00	6.20	-
E1	3.80	3.90	4.00	-
e	-	1.27	-	-
h	0.25	-	0.50	-
L	0.40	-	1.27	-
L1	-	1.04	-	-
k	0	-	8	Degrees
ccc	-	-	0.10	-

Figure 11. SO-8 suggested land pattern





## 8.2 SO-14 package information

Figure 12. SO-14 package outline

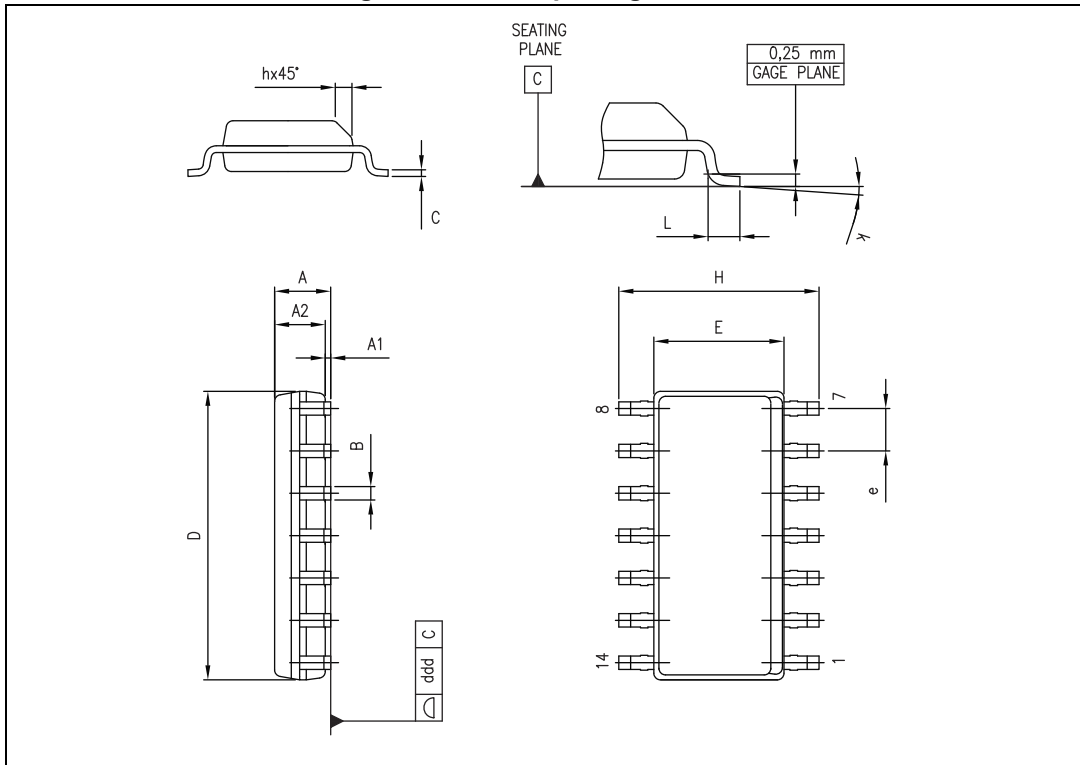
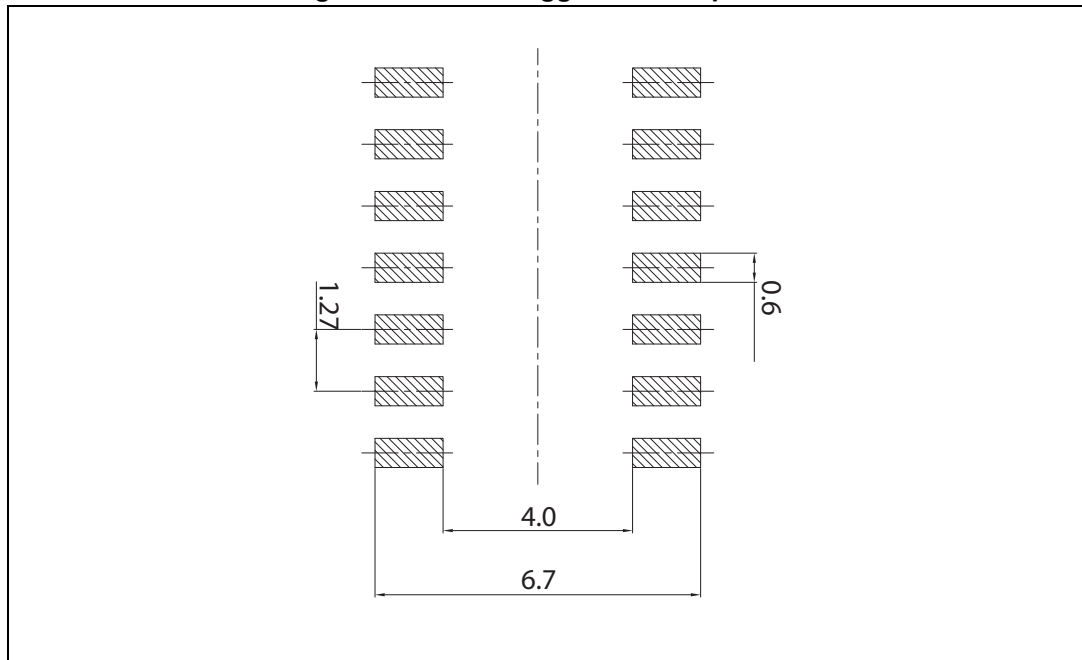


Table 8. SO-14 package mechanical data

Symbol	Dimensions (mm)		
	Min.	Typ.	Max.
A	1.35	-	1.75
A1	0.10	-	0.25
A2	1.10	-	1.65
B	0.33	-	0.51
C	0.19	-	0.25
D	8.55	-	8.75
E	3.80	-	4.00
e	-	1.27	-
H	5.80	-	6.20
h	0	-	-
25	-	0.50	-
L	0.40	-	1.27
k	0	-	8
ddd	-	-	0.10

Figure 13. SO-14 suggested land pattern



## 9 Ordering information

**Table 9. Device summary**

Order code	Package	Packaging
L6498D	SO-8	Tube
L6498DTR	SO-8	Tape and reel
L6498LD	SO-14	Tube
L6498LDTR	SO-14	Tape and reel

## 10 Revision history

**Table 10. Document revision history**

Date	Revision	Changes
08-Feb-2017	1	Initial release.
26-Apr-2017	2	Updated <i>Table 5 on page 7</i> (replaced "INR_PD" by "RPD", added Test condition to "t <sub>off</sub> "). Updated order codes in <i>Table 9 on page 19</i> . Minor modifications throughout document.
13-Sep-2017	3	Updated <i>Table 4 on page 6</i> (added T <sub>A</sub> symbol and note <i>4.</i> ).

**IMPORTANT NOTICE – PLEASE READ CAREFULLY**

STMicroelectronics NV and its subsidiaries ("ST") reserve the right to make changes, corrections, enhancements, modifications, and improvements to ST products and/or to this document at any time without notice. Purchasers should obtain the latest relevant information on ST products before placing orders. ST products are sold pursuant to ST's terms and conditions of sale in place at the time of order acknowledgement.

Purchasers are solely responsible for the choice, selection, and use of ST products and ST assumes no liability for application assistance or the design of Purchasers' products.

No license, express or implied, to any intellectual property right is granted by ST herein.

Resale of ST products with provisions different from the information set forth herein shall void any warranty granted by ST for such product.

ST and the ST logo are trademarks of ST. All other product or service names are the property of their respective owners.

Information in this document supersedes and replaces information previously supplied in any prior versions of this document.

© 2017 STMicroelectronics – All rights reserved



Компания «ЭлектроПласт» предлагает заключение долгосрочных отношений при поставках импортных электронных компонентов на взаимовыгодных условиях!

Наши преимущества:

- Оперативные поставки широкого спектра электронных компонентов отечественного и импортного производства напрямую от производителей и с крупнейших мировых складов;
- Поставка более 17-ти миллионов наименований электронных компонентов;
- Поставка сложных, дефицитных, либо снятых с производства позиций;
- Оперативные сроки поставки под заказ (от 5 рабочих дней);
- Экспресс доставка в любую точку России;
- Техническая поддержка проекта, помощь в подборе аналогов, поставка прототипов;
- Система менеджмента качества сертифицирована по Международному стандарту ISO 9001;
- Лицензия ФСБ на осуществление работ с использованием сведений, составляющих государственную тайну;
- Поставка специализированных компонентов (Xilinx, Altera, Analog Devices, Intersil, Interpoint, Microsemi, Aeroflex, Peregrine, Syfer, Eurofarad, Texas Instrument, Miteq, Cobham, E2V, MA-COM, Hittite, Mini-Circuits, General Dynamics и др.);

Помимо этого, одним из направлений компании «ЭлектроПласт» является направление «Источники питания». Мы предлагаем Вам помощь Конструкторского отдела:

- Подбор оптимального решения, техническое обоснование при выборе компонента;
- Подбор аналогов;
- Консультации по применению компонента;
- Поставка образцов и прототипов;
- Техническая поддержка проекта;
- Защита от снятия компонента с производства.



#### Как с нами связаться

**Телефон:** 8 (812) 309 58 32 (многоканальный)

**Факс:** 8 (812) 320-02-42

**Электронная почта:** [org@eplast1.ru](mailto:org@eplast1.ru)

**Адрес:** 198099, г. Санкт-Петербург, ул. Калинина, дом 2, корпус 4, литера А.