



MB39C031-EVBSK-01

2ch Buck DC/DC + LDO Evaluation Board Operation Guide

Doc. No. 002-08724 Rev. *B

Cypress Semiconductor
198 Champion Court
San Jose, CA 95134-1709
<http://www.cypress.com>

Copyrights

© Cypress Semiconductor Corporation, 2015-2017. This document is the property of Cypress Semiconductor Corporation and its subsidiaries, including Spansion LLC (“Cypress”). This document, including any software or firmware included or referenced in this document (“Software”), is owned by Cypress under the intellectual property laws and treaties of the United States and other countries worldwide. Cypress reserves all rights under such laws and treaties and does not, except as specifically stated in this paragraph, grant any license under its patents, copyrights, trademarks, or other intellectual property rights. If the Software is not accompanied by a license agreement and you do not otherwise have a written agreement with Cypress governing the use of the Software, then Cypress hereby grants you a personal, non-exclusive, nontransferable license (without the right to sublicense) (1) under its copyright rights in the Software (a) for Software provided in source code form, to modify and reproduce the Software solely for use with Cypress hardware products, only internally within your organization, and (b) to distribute the Software in binary code form externally to end users (either directly or indirectly through resellers and distributors), solely for use on Cypress hardware product units, and (2) under those claims of Cypress’s patents that are infringed by the Software (as provided by Cypress, unmodified) to make, use, distribute, and import the Software solely for use with Cypress hardware products. Any other use, reproduction, modification, translation, or compilation of the Software is prohibited.

TO THE EXTENT PERMITTED BY APPLICABLE LAW, CYPRESS MAKES NO WARRANTY OF ANY KIND, EXPRESS OR IMPLIED, WITH REGARD TO THIS DOCUMENT OR ANY SOFTWARE OR ACCOMPANYING HARDWARE, INCLUDING, BUT NOT LIMITED TO, THE IMPLIED WARRANTIES OF MERCHANTABILITY AND FITNESS FOR A PARTICULAR PURPOSE. No computing device can be absolutely secure. Therefore, despite security measures implemented in Cypress hardware or software products, Cypress does not assume any liability arising out of any security breach, such as unauthorized access to or use of a Cypress product. In addition, the products described in these materials may contain design defects or errors known as errata which may cause the product to deviate from published specifications. To the extent permitted by applicable law, Cypress reserves the right to make changes to this document without further notice. Cypress does not assume any liability arising out of the application or use of any product or circuit described in this document. Any information provided in this document, including any sample design information or programming code, is provided only for reference purposes. It is the responsibility of the user of this document to properly design, program, and test the functionality and safety of any application made of this information and any resulting product. Cypress products are not designed, intended, or authorized for use as critical components in systems designed or intended for the operation of weapons, weapons systems, nuclear installations, life-support devices or systems, other medical devices or systems (including resuscitation equipment and surgical implants), pollution control or hazardous substances management, or other uses where the failure of the device or system could cause personal injury, death, or property damage (“Unintended Uses”). A critical component is any component of a device or system whose failure to perform can be reasonably expected to cause the failure of the device or system, or to affect its safety or effectiveness. Cypress is not liable, in whole or in part, and you shall and hereby do release Cypress from any claim, damage, or other liability arising from or related to all Unintended Uses of Cypress products. You shall indemnify and hold Cypress harmless from and against all claims, costs, damages, and other liabilities, including claims for personal injury or death, arising from or related to any Unintended Uses of Cypress products.

Cypress, the Cypress logo, Spansion, the Spansion logo, and combinations thereof, WICED, PSoC, CapSense, EZ-USB, F-RAM, and Traveo are trademarks or registered trademarks of Cypress in the United States and other countries. For a more complete list of Cypress trademarks, visit cypress.com. Other names and brands may be claimed as property of their respective owners.

Preface



This manual explains how to use the evaluation board. Be sure to read this manual before using the product. For this product, please consult with sales representatives or support representatives.

Handling and use

Handling and use of this product and notes regarding its safe use are described in the manuals.

Follow the instructions in the manuals to use this product.

Keep this manual at hand so that you can refer to it anytime during use of this product.

Notice on this document

All information included in this document is current as of the date it is issued. Such information is subject to change without any prior notice.


Please confirm the latest relevant information with the sales representatives.

Cautions




Caution of the products described in this document

The following precautions apply to the product described in this manual.

 WARNING	Indicates a potentially hazardous situation which could result in death or serious injury and/or a fault in the user's system if the product is not used correctly.
--	---

Electric shock, Damage	Before performing any operation described in this manual, turn off all the power supplies to the system. Performing such an operation with the power on may cause an electric shock or device fault.
Electric shock, Damage	Once the product has been turned on, do not touch any metal part of it. Doing so may cause an electric shock or device fault.

 CAUTION	Indicates the presence of a hazard that may cause a minor or moderate injury, damages to this product or devices connected to it, or may cause to lose software resources and other properties such as data, if the device is not used appropriately.
--	---

Cuts, Damage	Before moving the product, be sure to turn off all the power supplies and unplug the cables. Watch your step when carrying the product. Do not use the product in an unstable location such as a place exposed to strong vibration or a sloping surface. Doing so may cause the product to fall, resulting in an injury or fault.
Cuts	The product contains sharp edges that are left unavoidably exposed, such as jumper plugs. Handle the product with due care not to get injured with such pointed parts.
Damage	Do not place anything on the product or expose the product to physical shocks. Do not carry the product after the power has been turned on. Doing so may cause a malfunction due to overloading or shock.
Damage	Since the product contains many electronic components, keep it away from direct sunlight, high temperature, and high humidity to prevent condensation. Do not use or store the product where it is exposed to much dust or a strong magnetic or electric field for an extended period of time. Inappropriate operating or storage environments may cause a fault.
Damage	Use the product within the ranges given in the specifications. Operation over the specified ranges may cause a fault.
Damage	To prevent electrostatic breakdown, do not let your finger or other object come into contact with the metal parts of any of the connectors. Before handling the product, touch a metal object (such as a door knob) to discharge any static electricity from your body.

Damage	When turning the power on or off, follow the relevant procedure as described in this document. Before turning the power on, in particular, be sure to finish making all the required connections. Furthermore, be sure to configure and use the product by following the instructions given in this document. Using the product incorrectly or inappropriately may cause a fault.
Damage	Always turn the power off before connecting or disconnecting any cables from the product. When unplugging a cable, unplug the cable by holding the connector part without pulling on the cable itself. Pulling the cable itself or bending it may expose or disconnect the cable core, resulting in a fault.
Damage	Because the product has no casing, it is recommended that it be stored in the original packaging. Transporting the product may cause a damage or fault. Therefore, keep the packaging materials and use them when re-shipping the product.

Contents



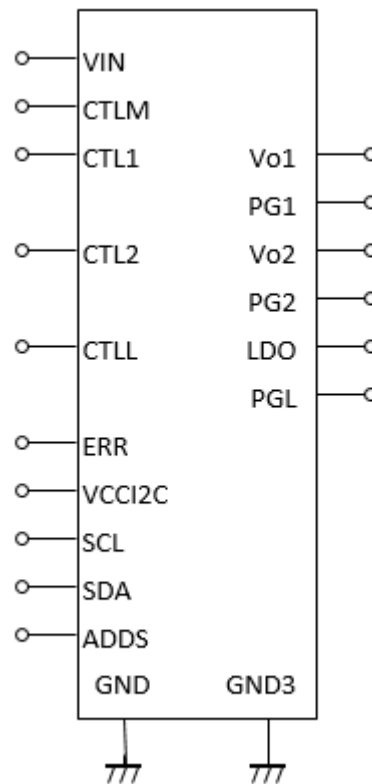
1. Description	7
2. Evaluation Board Specification	8
3. Pin Description	9
3.1 Jumper, Switch Descriptions	9
4. Setup and Checkup	10
5. Component Layout	11
6. Wiring Layout	12
7. Circuit Diagram	13
8. Parts List	14
9. Evaluation Board Picture	16
10. Ordering Information	18
Revision History	19

1. Description



The MB39C031-EVB-01 is the evaluation board for 2ch Buck DC/DC + 1ch LDO, MB39C031. This board implements MB39C031: Option-code 142, and output preset voltage DD1:1.2V, DD2:1.8V, LDO:3.3V or selectable voltage controlled by I²C communication. This board implements our MCU : FM3(MB9AF312K) and can select the soft-start time, ON/OFF sequence, PFM/PWM mode easily with I²C communication using windows PC and prepared software.

Figure 1-1. Board Outline



2. Evaluation Board Specification



Table 2-1. Evaluation Board Specification

Item	Symbol	Min.	Typ.	Max.	Unit
Input voltage	VIN	2.5	3.6	5.5	V
Output voltage	Vo1	0.99	1.00	1.01	V
Output current	Io1	-	-	1400	mA
Output voltage	Vo2	1.78	1.80	1.82	V
Output current	Io2	-	-	600	mA
Output voltage	LDO	3.24	3.30	3.36	V
Output current	Io3	-	-	250	mA

Board size: 27.94mm x 27.94mm

3. Pin Description



Table 3-1. Pin Description

Block	Pin symbol	I/O	Function Description
DD1	Vo1	O	DD1 output terminal
	PG1	O	DD1 POWERGOOD output monitor terminal
DD2	Vo2	O	DD2 output terminal
	PG2	O	DD2 POWERGOOD output monitor terminal
LDO	LDO	O	LDO output terminal
	PGL	O	LDO POWERGOOD output monitor terminal
CTL	CTL1	I	DD1 control terminal
	CTL2	I	DD2 control terminal
	CTLL	I	LDO control terminal
	CTLMAIN	I	Control terminal for common block and MCU block
ERR	ERR	O	ERR signal output terminal
I ² C	VCCI2C	I	Power supply terminal for I ² C.
	SCL	I	I ² C clock terminal
	SDA	I/O	I ² C data I/O terminal
	ADDSEL	I	Switch terminal for slave address
COMMON	VIN	I	Control circuit block power supply terminal
	GND	-	Control circuit block ground terminal
	GND3	-	Control circuit block ground terminal

3.1 Jumper, Switch Descriptions

Table 3-2. Jumper, Switch Descriptions

Jumper, Switch	Description	Initial Setting
JP1	Short VIN terminal and VBUS pin (2 pin)	Open

4. Setup and Checkup

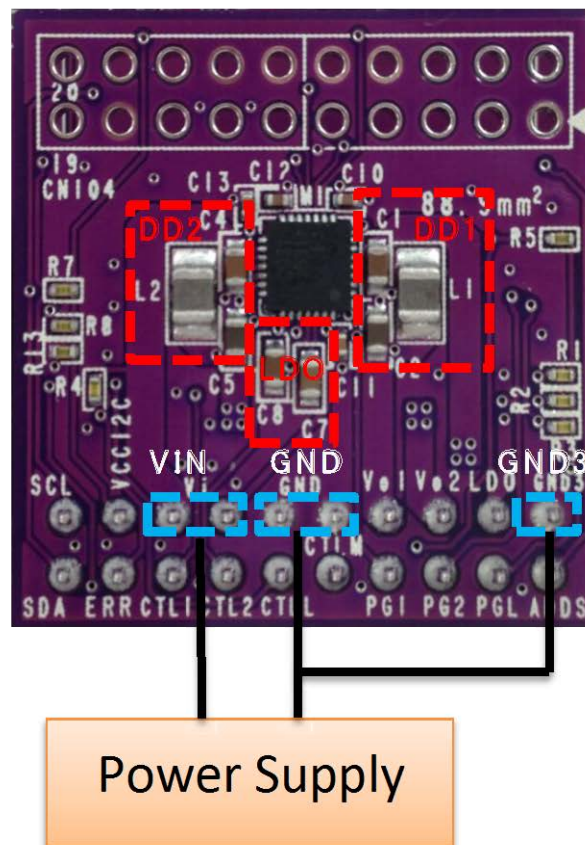


MB39C031 preset value can be evaluated with stabilized power supply.

* : CTLM, CTL1, CTL2, CTLL

1. 3.3V is applied to VIN terminal.
2. CTLM, CTL1, CTL2, CTLL are connected to VIN terminal.
3. Vo1:1.0V, Vo2:1.8V, Vo3:3.3V is output.

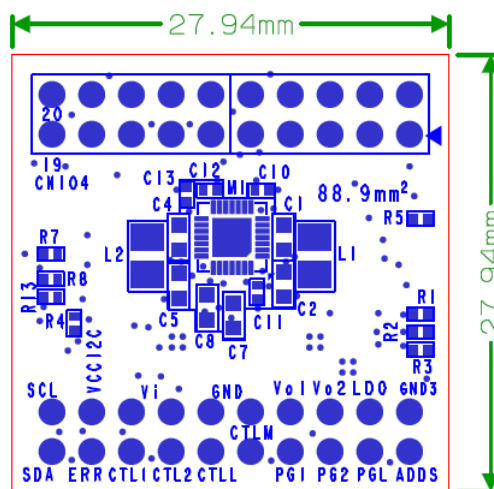
Figure 4-1. Image of Connection



5. Component Layout



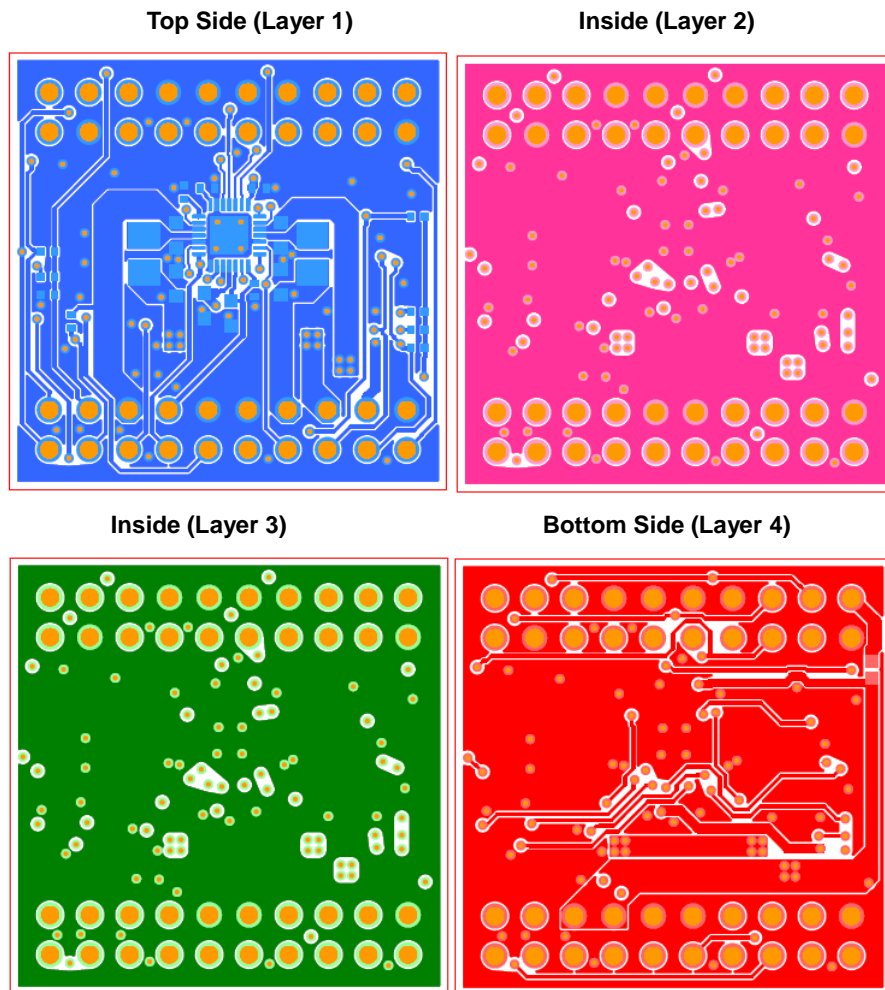
Figure 5-1. Component Layout Top View



6. Wiring Layout



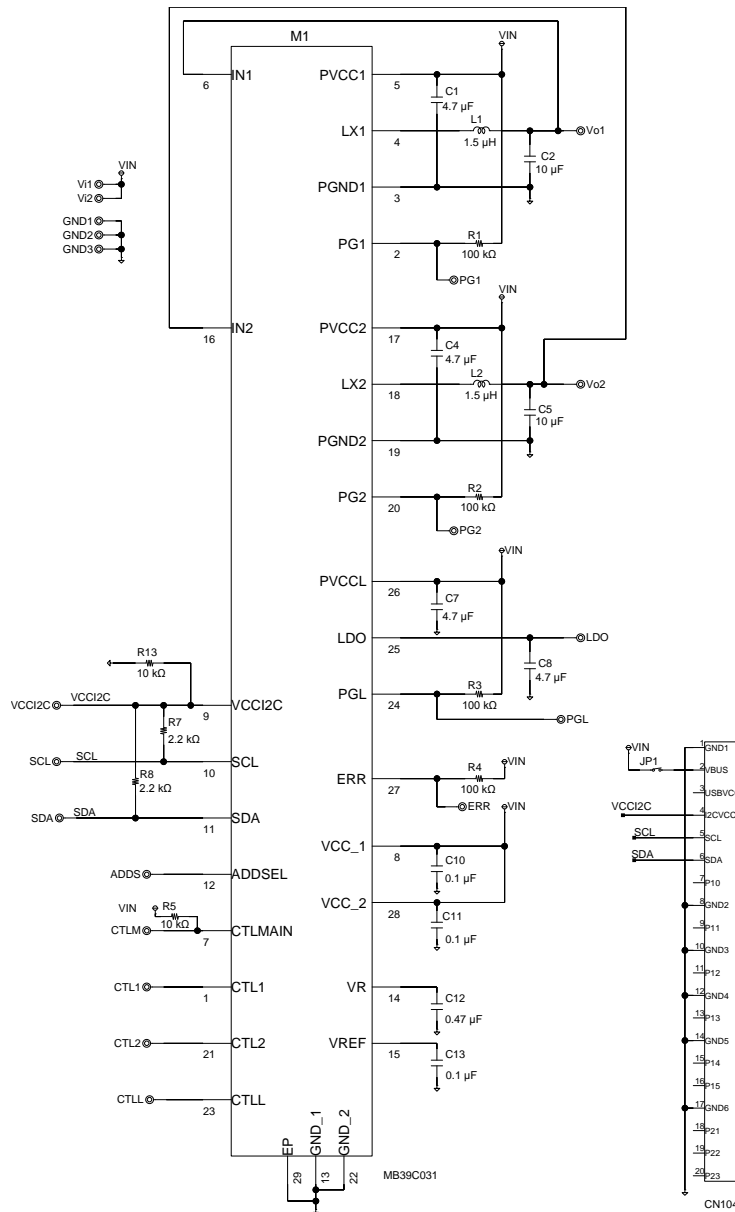
Figure 6-1. Wiring Layout



7. Circuit Diagram



Figure 7-1. Circuit Diagram



8. Parts List



Table 8-1. Parts List

No.	Component	Item	Parts Number	Vendor	Value	Remarks
1	M1	PMIC	MB39C031WQN-G-142	Cypress	-	-
2	L1	Inductor	DFE252008C-1R5M	TOKO	1.5μH	-
3	L2	Inductor	DFE252008C-1R5M	TOKO	1.5μH	-
4	C1	Ceramic Capacitor	C1608X5R1V475K	TDK	4.7μF	35V
5	C2	Ceramic Capacitor	C1608X5R1E106M	TDK	10μF	25V
6	C4	Ceramic Capacitor	C1608X5R1V475K	TDK	4.7μF	35V
7	C5	Ceramic Capacitor	C1608X5R1E106M	TDK	10μF	25V
8	C7	Ceramic Capacitor	C1608X5R1V475K	TDK	4.7μF	35V
9	C8	Ceramic Capacitor	C1608X5R1V475K	TDK	4.7μF	35V
10	C10	Ceramic Capacitor	C1005JB1H104K	TDK	0.1μF	50V,1005
11	C11	Ceramic Capacitor	C1005JB1H104K	TDK	0.1μF	50V,1005
12	C12	Ceramic Capacitor	C1005JB1V474K	TDK	0.47μF	35V,1005
13	C13	Ceramic Capacitor	C1005JB1H104K	TDK	0.1μF	50V,1005
14	R1	Chip Resistor	RR0510P-104-D	SUSUMU	100kΩ	±0.5%, ±50ppm
15	R2	Chip Resistor	RR0510P-104-D	SUSUMU	100kΩ	±0.5%, ±50ppm
16	R3	Chip Resistor	RR0510P-104-D	SUSUMU	100kΩ	±0.5%, ±50ppm
17	R4	Chip Resistor	RR0510P-104-D	SUSUMU	100kΩ	±0.5%, ±25ppm
18	R5	Chip Resistor	RR0510P-103-D	SUSUMU	10kΩ	±0.5%, ±25ppm

No.	Component	Item	Parts Number	Vendor	Value	Remarks
19	R7	Chip Resistor	RR0510P-222-D	SUSUMU	2.2kΩ	±0.5%, ±25ppm
20	R8	Chip Resistor	RR0510P-222-D	SUSUMU	2.2kΩ	±0.5%, ±25ppm
21	R13	Chip Resistor	RR0510P-103-D	SUSUMU	10kΩ	±0.5%, ±25ppm
22	JP1	-	-	-	-	No Mounted
23	CN104	-	-	-	-	No Mounted
24	SCL	Terminal	90131-0770	molex	-	2 × 10pin header
	SDA	Terminal				
	VCCI2C	Terminal				
	ERR	Terminal				
	Vi	Terminal				
	Vi	Terminal				
	GND	Terminal				
	GND	Terminal				
	CTL1	Terminal				
	CTL2	Terminal				
	CTLL	Terminal				
	CTLM	Terminal				
	Vo1	Terminal				
	Vo2	Terminal				
	LDO	Terminal				
	GND3	Terminal				
	PG1	Terminal				
PG2	Terminal					
PGL	Terminal					
ADDS	Terminal					

9. Evaluation Board Picture



Figure 9-1. Evaluation Board Picture (Top)

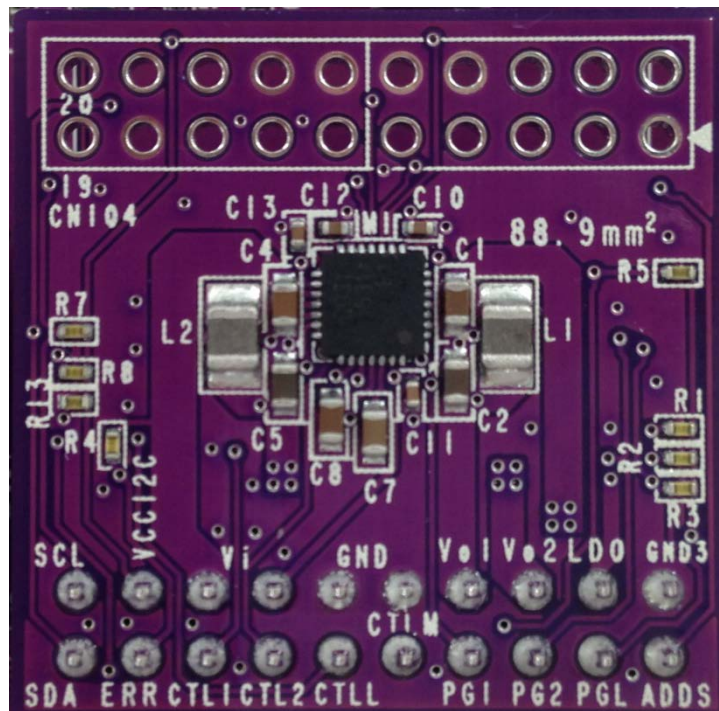
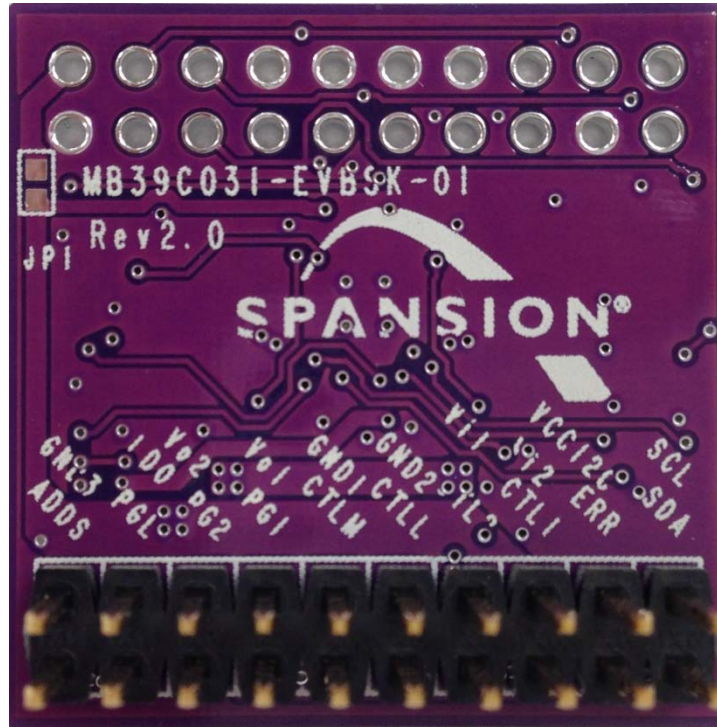


Figure 9-2. Evaluation Board Picture (Back)



10. Ordering Information



Table 10-1. Ordering Information

Part Number	EV B Revision	Note
MB39C031-EVBSK-01	Rev 1.0	---

Revision History



Document Title: MB39C031-EVBSK-01 2ch Buck DC/DC + LDO Evaluation Board Operation Guide

Document Number: 002-08724

Revision	Issue Date	Origin of Change	Description of Change
**	01/16/2015	ATTS	Initial release
*A	02/04/2016	ATTS	Migrated Spansion Guide from MB39C031-EVBSK-01_SS901-00035-1v0-E to Cypress format
*B	12/27/2017	ATTS	Updated template



Компания «ЭлектроПласт» предлагает заключение долгосрочных отношений при поставках импортных электронных компонентов на взаимовыгодных условиях!

Наши преимущества:

- Оперативные поставки широкого спектра электронных компонентов отечественного и импортного производства напрямую от производителей и с крупнейших мировых складов;
- Поставка более 17-ти миллионов наименований электронных компонентов;
- Поставка сложных, дефицитных, либо снятых с производства позиций;
- Оперативные сроки поставки под заказ (от 5 рабочих дней);
- Экспресс доставка в любую точку России;
- Техническая поддержка проекта, помощь в подборе аналогов, поставка прототипов;
- Система менеджмента качества сертифицирована по Международному стандарту ISO 9001;
- Лицензия ФСБ на осуществление работ с использованием сведений, составляющих государственную тайну;
- Поставка специализированных компонентов (Xilinx, Altera, Analog Devices, Intersil, Interpoint, Microsemi, Aeroflex, Peregrine, Syfer, Eurofarad, Texas Instrument, Miteq, Cobham, E2V, MA-COM, Hittite, Mini-Circuits, General Dynamics и др.);

Помимо этого, одним из направлений компании «ЭлектроПласт» является направление «Источники питания». Мы предлагаем Вам помощь Конструкторского отдела:

- Подбор оптимального решения, техническое обоснование при выборе компонента;
- Подбор аналогов;
- Консультации по применению компонента;
- Поставка образцов и прототипов;
- Техническая поддержка проекта;
- Защита от снятия компонента с производства.



Как с нами связаться

Телефон: 8 (812) 309 58 32 (многоканальный)

Факс: 8 (812) 320-02-42

Электронная почта: org@eplast1.ru

Адрес: 198099, г. Санкт-Петербург, ул. Калинина, дом 2, корпус 4, литера А.