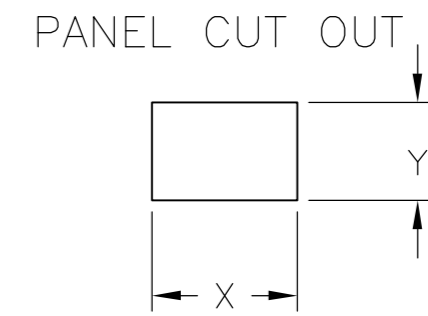
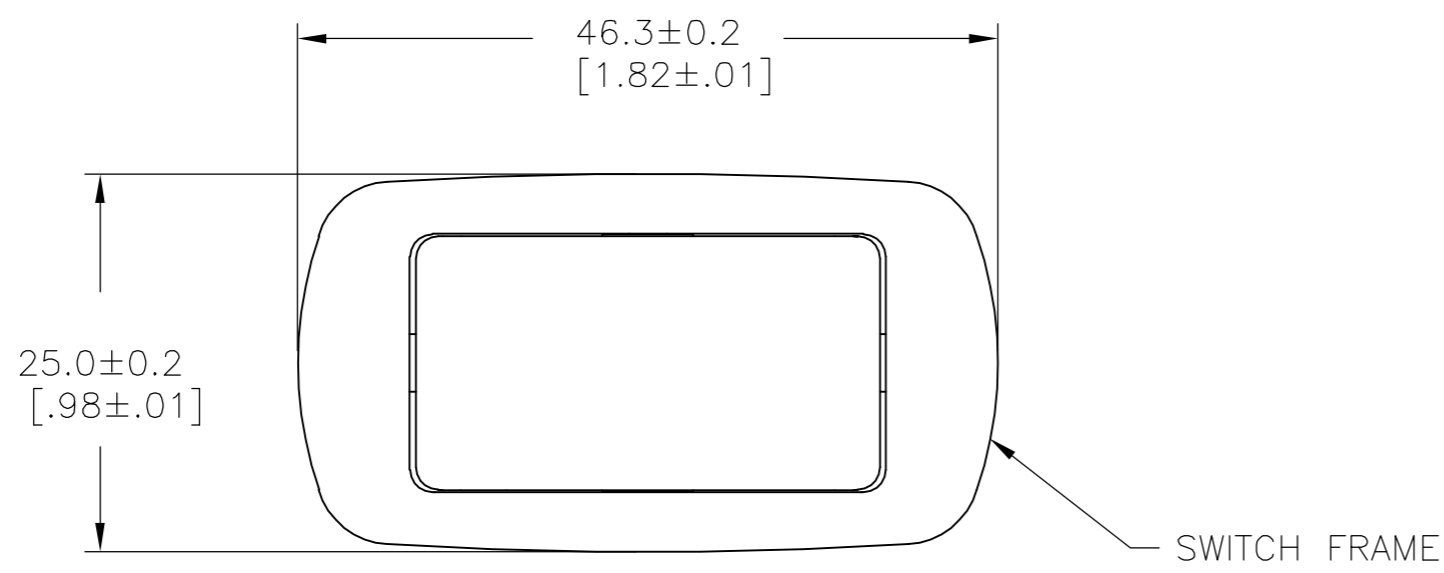
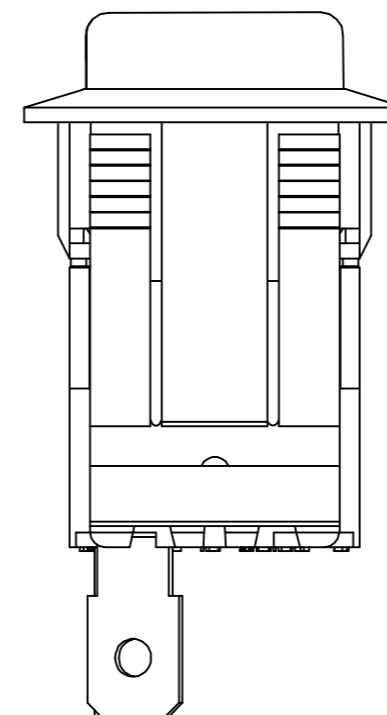
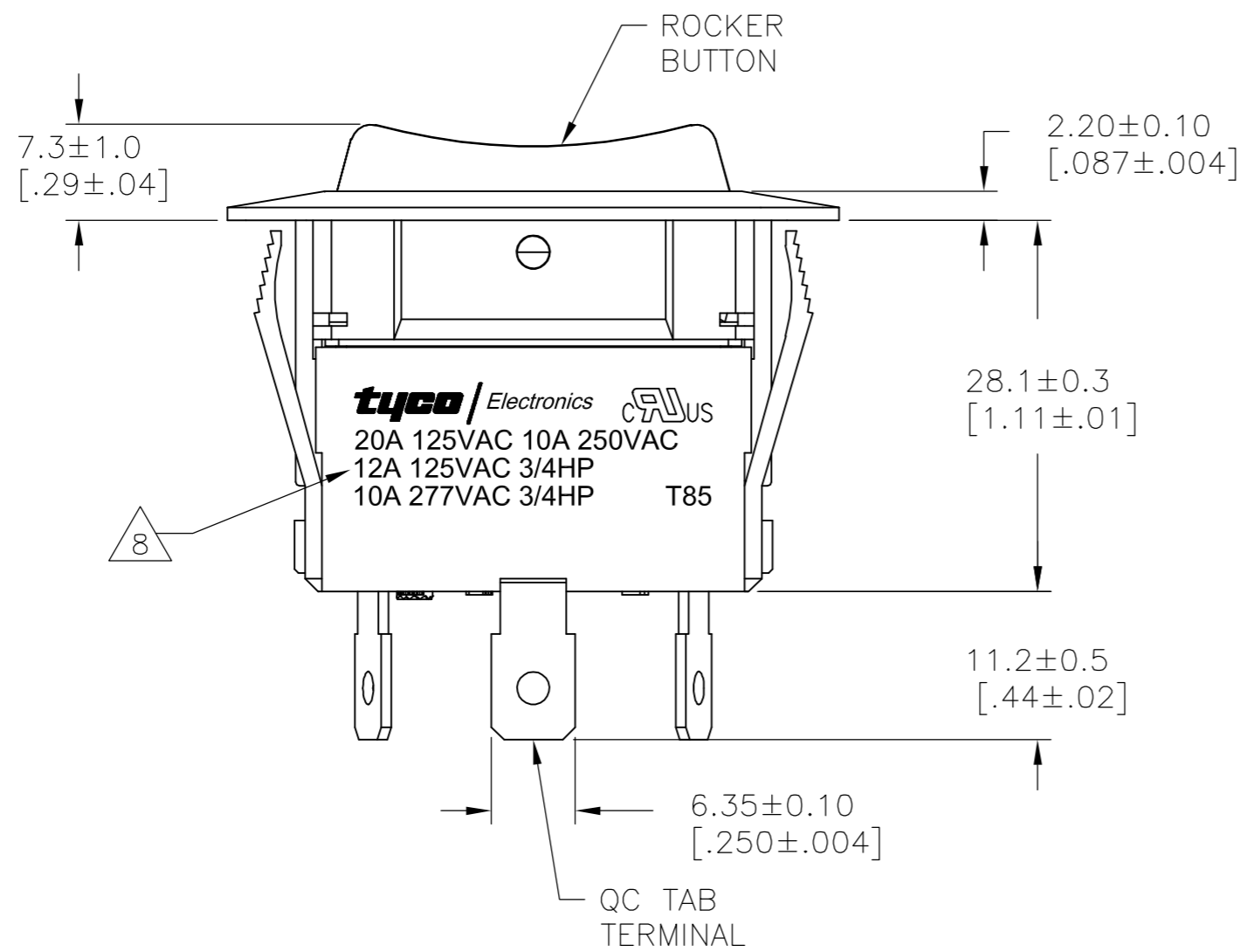


THIS DRAWING IS UNPUBLISHED. RELEASED FOR PUBLICATION  
 © COPYRIGHT BY TYCO ELECTRONICS CORPORATION. ALL RIGHTS RESERVED.

Loc		DIST		REVISIONS			
P	LTR	DESCRIPTION		DATE	DWN	APVD	
C1		ECO-06-15659		13JUL06	MB	DR	

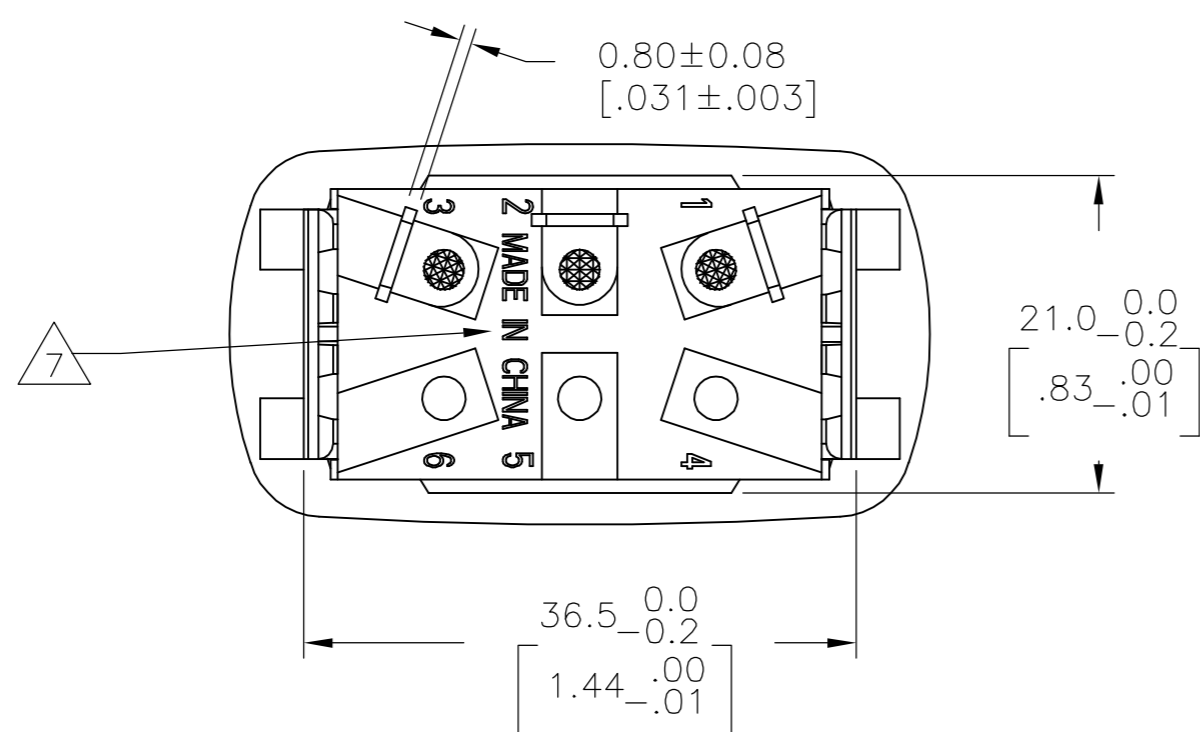
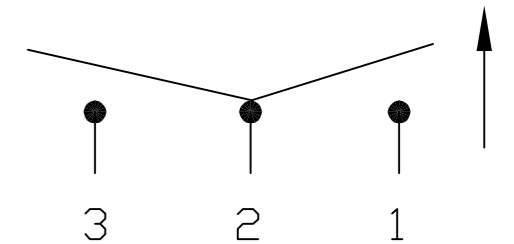


2.00-3.00 [.079-.118]	21.2+0.1 [.835+.004]	37.0+0.2 [1.457+.008]
1.25-2.00 [.049-.079]	21.2+0.1 [.835+.004]	36.8+0.2 [1.449+.008]
.075-1.25 [.030-.049]	21.2+0.1 [.835+.004]	36.6+0.2 [1.441+.008]
PANEL THICKNESS	Y	X



1571100-7  
 SHOWN

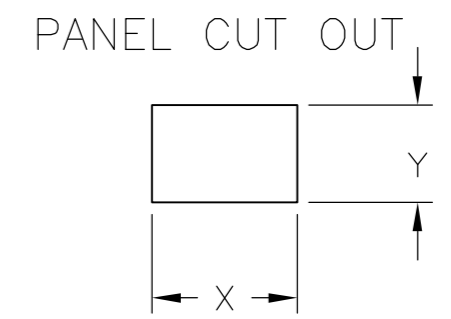
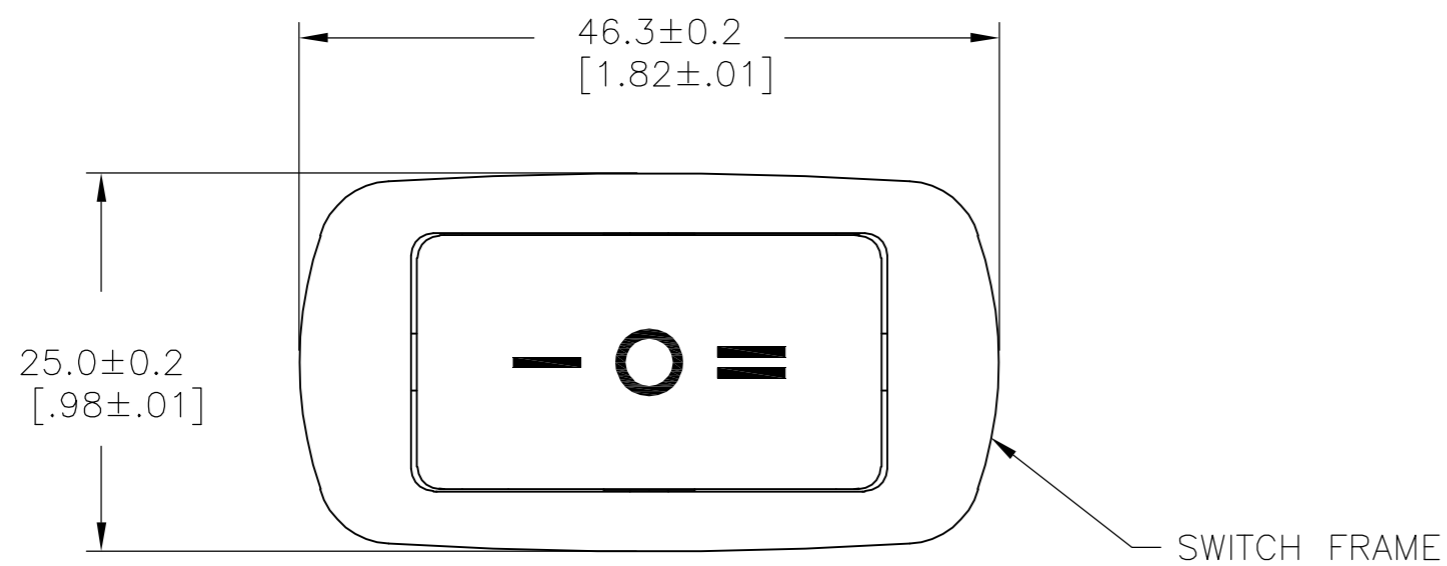
SWITCH FUNCTION D4  
 CIRCUIT DIAGRAM



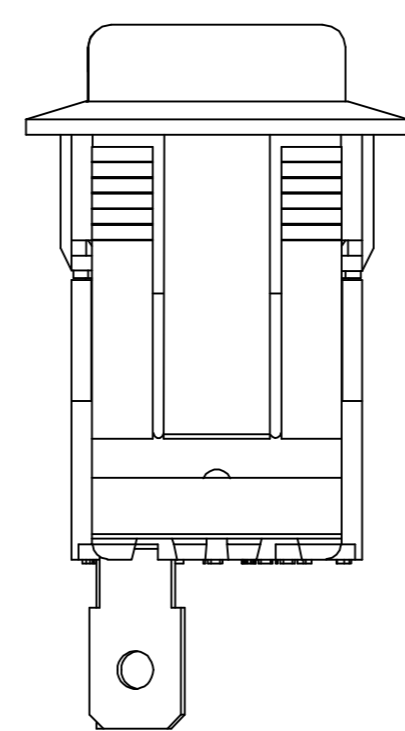
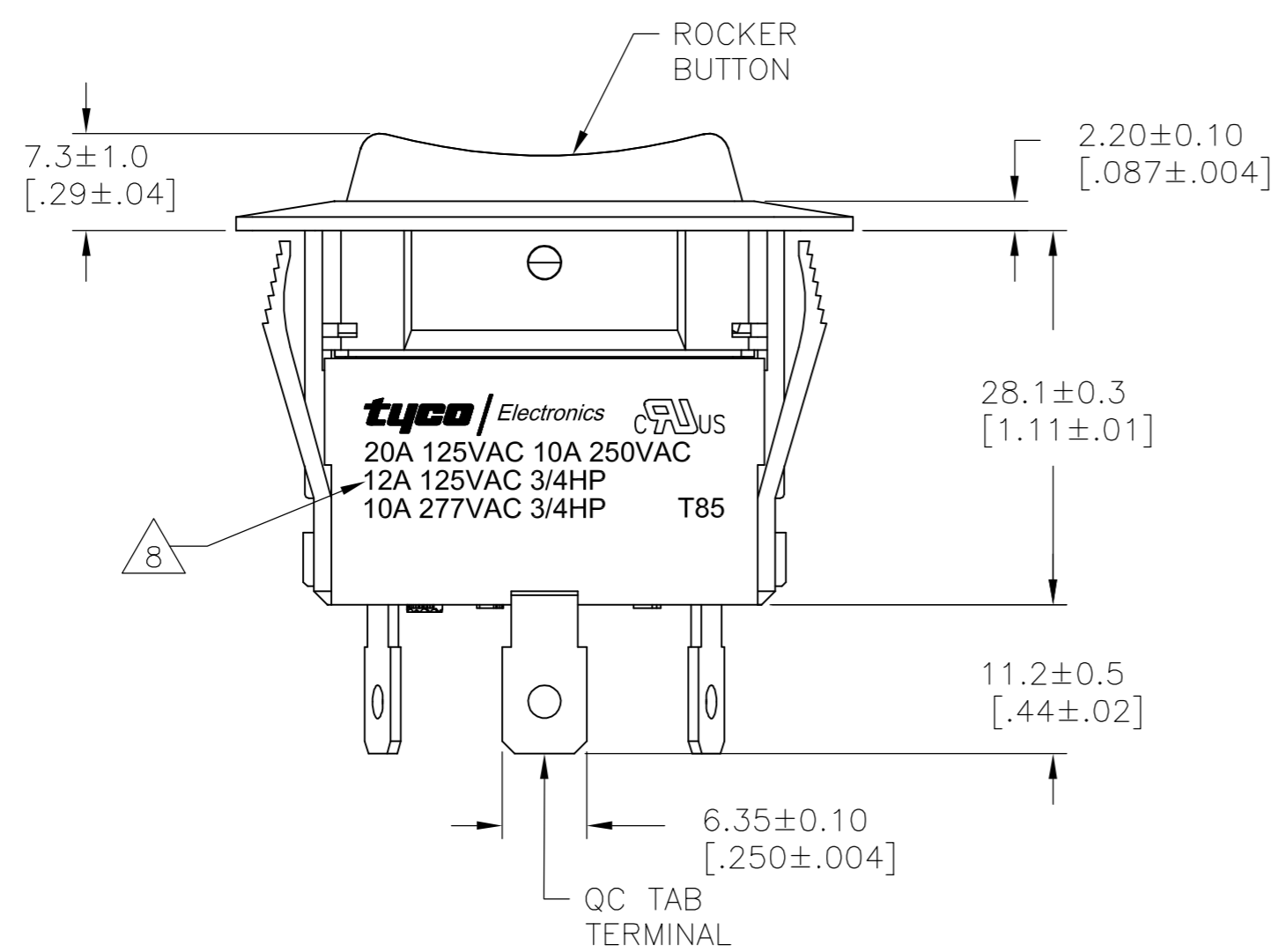
THIS DRAWING IS A CONTROLLED DOCUMENT.		DWN M.BINNER 25FEB2002	tyco Electronics Corporation Harrisburg, PA 17105-3608	
DIMENSIONS: mm [INCHES]		CHK D.ROHDE 16NOV05	NAME POWER ROCKER SWITCH, 21.2mm X 36.6mm MIN PANEL CUT-OUT SIZE SINGLE POLE, DOUBLE THROW, NON-ILLUMINATED	
TOLERANCES UNLESS OTHERWISE SPECIFIED: 0 PLC ± - 1 PLC ± - 2 PLC ± - 3 PLC ± - 4 PLC ± - ANGLES ± -		APVD D.ROHDE 16NOV05	DRAWING NO A2 00779 C=1571100	
MATERIAL 1		FINISH 2	SCALE 2:1	SHEET 1 of 4
WEIGHT -		RESTRICTED TO -		REV C1
CUSTOMER DRAWING				

THIS DRAWING IS UNPUBLISHED. RELEASED FOR PUBLICATION  
 © COPYRIGHT BY TYCO ELECTRONICS CORPORATION. ALL RIGHTS RESERVED.

LOC	DIST	REVISIONS			
P	LTR	DESCRIPTION	DATE	DWN	APVD
AD	00	SEE SHEET 1	-	-	-

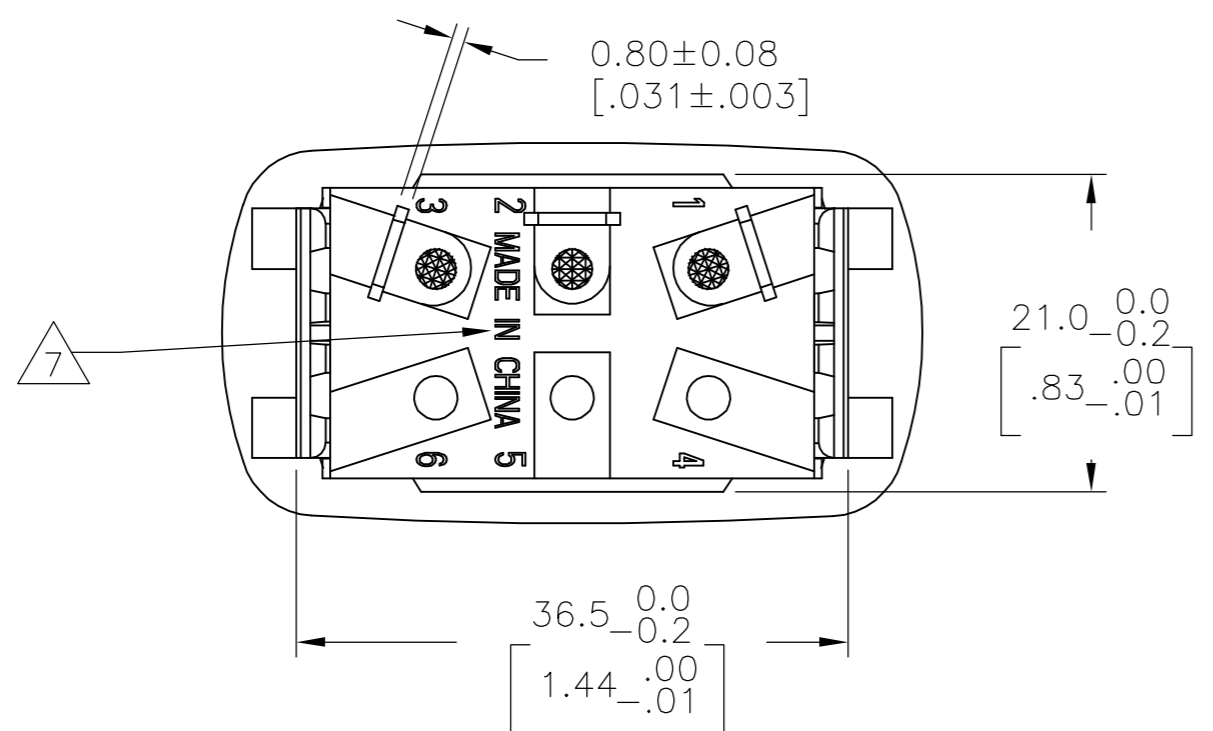
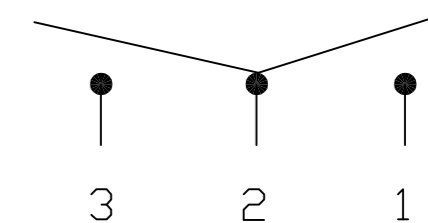


2.00-3.00 [.079-.118]	21.2+0.1 [.835+.004]	37.0+0.2 [1.457+.008]
1.25-2.00 [.049-.079]	21.2+0.1 [.835+.004]	36.8+0.2 [1.449+.008]
.075-1.25 [.030-.049]	21.2+0.1 [.835+.004]	36.6+0.2 [1.441+.008]
PANEL THICKNESS	Y	X



1571100-5  
SHOWN

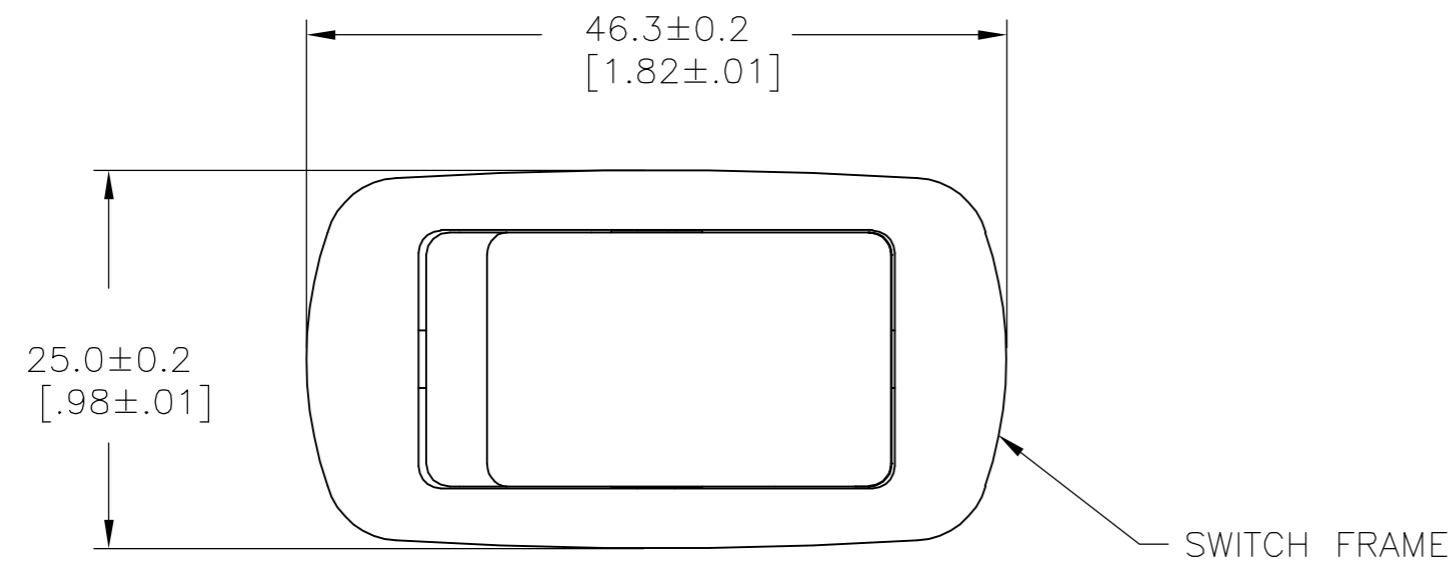
SWITCH FUNCTION D3  
CIRCUIT DIAGRAM



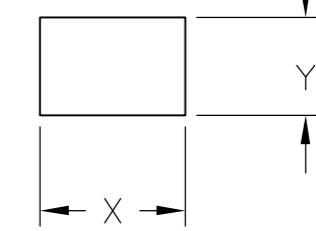
DIMENSIONS:		TOLERANCES UNLESS OTHERWISE SPECIFIED:		APVD		NAME	
mm [INCHES]				16NOV05	16NOV05	POWER ROCKER SWITCH, 21.2mm X 36.6mm MIN PANEL CUT-OUT SIZE SINGLE POLE, DOUBLE THROW, NON-ILLUMINATED	
0 PLC	± -	0	± -	CHK	D.ROHDE	SIZE	A2
1 PLC	± -	1	± -	APVD	D.ROHDE	CAGE CODE	00779
2 PLC	± -	2	± -	PRODUCT SPEC		DRAWING NO	C=1571100
3 PLC	± -	3	± -	APPLICATION SPEC		RESTRICTED TO	-
4 PLC	± -	4	± -			SCALE	2:1
ANGLES	± -	5	± -	WEIGHT	-	SHEET	2 of 4
FINISH		6	± -	CUSTOMER DRAWING		REV	C1

THIS DRAWING IS UNPUBLISHED. RELEASED FOR PUBLICATION  
 © COPYRIGHT BY TYCO ELECTRONICS CORPORATION. ALL RIGHTS RESERVED.

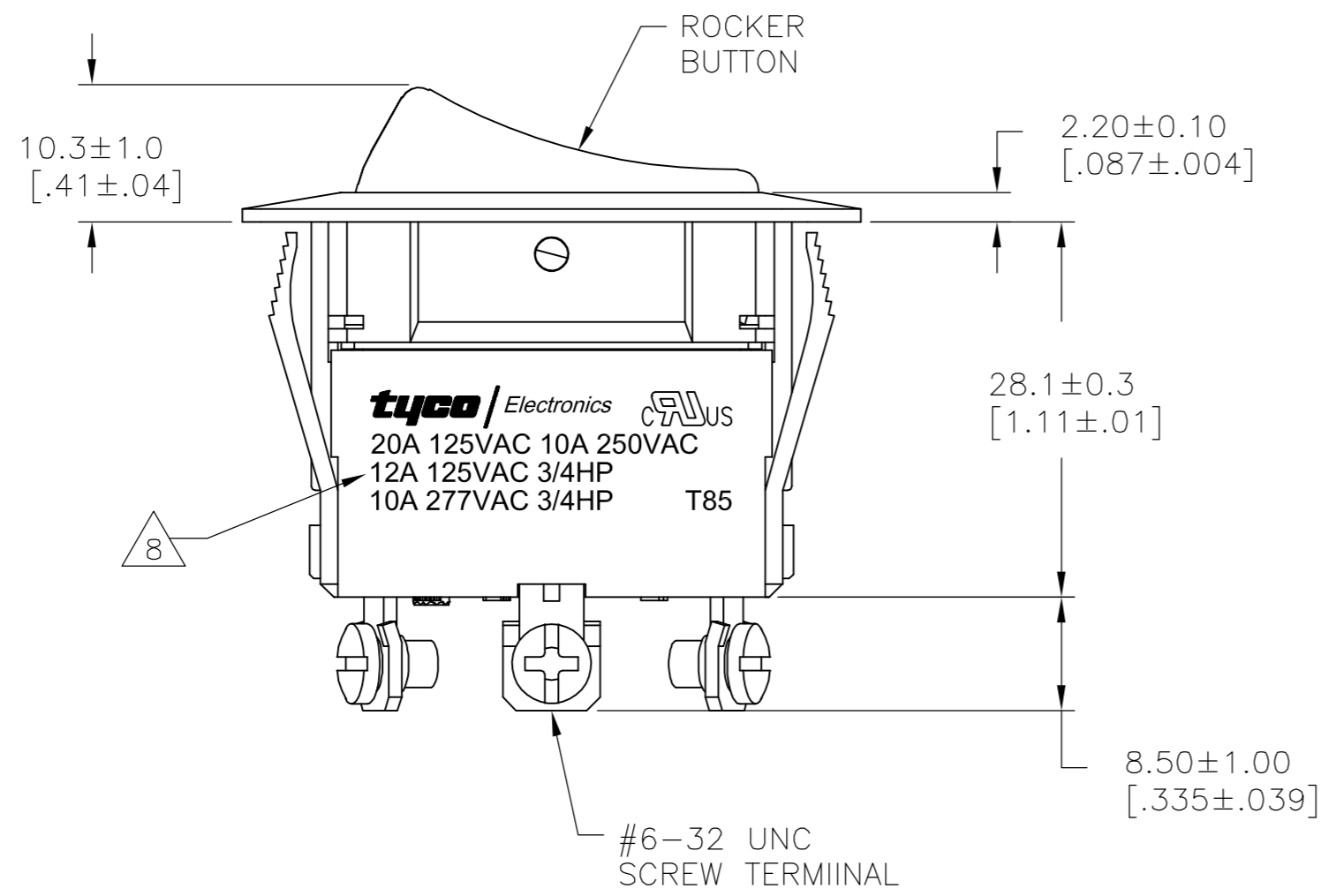
LOC	DIST	REVISIONS			
P	LTR	DESCRIPTION	DATE	DWN	APVD
AD	00	SEE SHEET 1	-	-	-



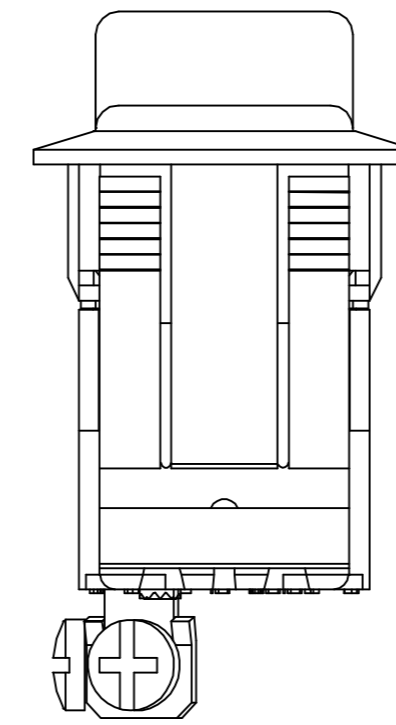
PANEL CUT OUT



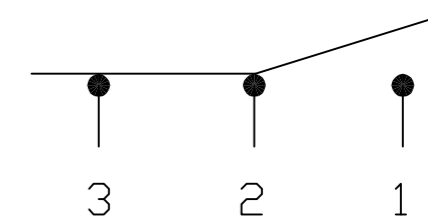
2.00-3.00 [.079-.118]	21.2+0.1 [.835+.004]	37.0+0.2 [1.457+.008]
1.25-2.00 [.049-.079]	21.2+0.1 [.835+.004]	36.8+0.2 [1.449+.008]
.075-1.25 [.030-.049]	21.2+0.1 [.835+.004]	36.6+0.2 [1.441+.008]
PANEL THICKNESS	Y	X



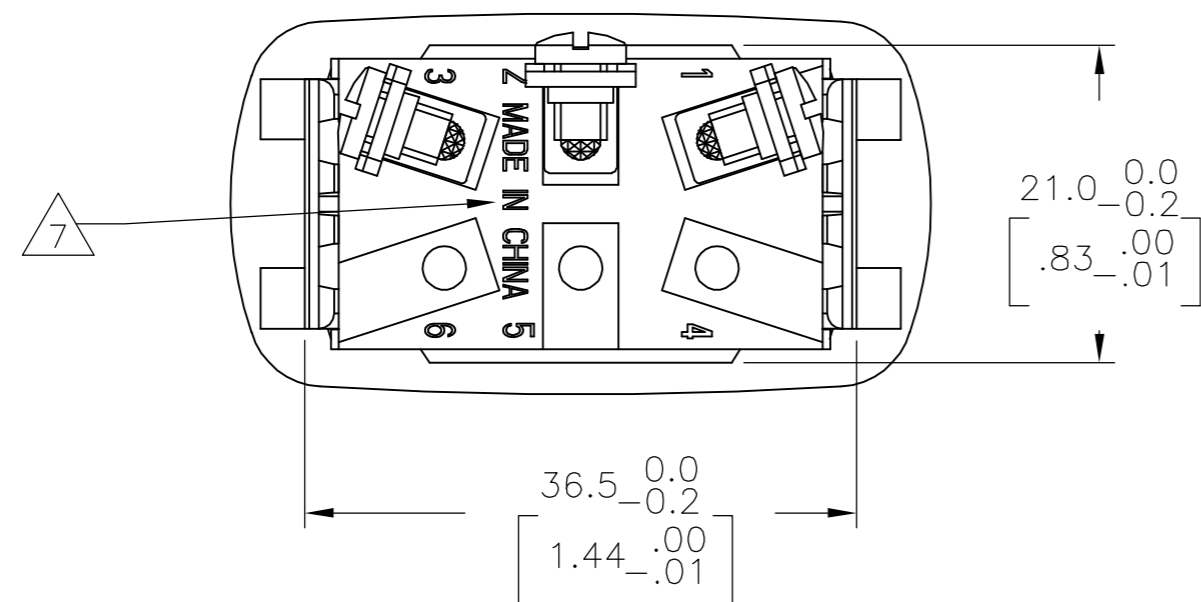
**tyco** Electronics  
 20A 125VAC 10A 250VAC  
 12A 125VAC 3/4HP  
 10A 277VAC 3/4HP  
 T85



SWITCH FUNCTION D1  
 CIRCUIT DIAGRAM



1-1571100-0  
 SHOWN

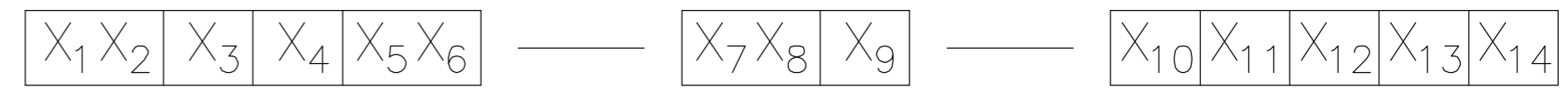


DIMENSIONS:		TOLERANCES UNLESS OTHERWISE SPECIFIED:		MATERIAL		FINISH	
mm	[INCHES]	0 PLC	± -	1	2	WEIGHT	SCALE
		1 PLC	± -				2:1
		2 PLC	± -				SHEET
		3 PLC	± -				3 OF 4
		4 PLC	± -				REV
		ANGLES	± -				C1
		FINISH					

THIS DRAWING IS UNPUBLISHED. RELEASED FOR PUBLICATION  
 © COPYRIGHT BY TYCO ELECTRONICS CORPORATION. ALL RIGHTS RESERVED.

LOC	DIST	REVISIONS			
P	LTR	DESCRIPTION	DATE	DWN	APVD
AD	00	SEE SHEET 1	-	-	-

ALCOSWITCH PART NUMBER



**1 MATERIALS:**  
 ROCKER BUTTON, FRAME & HOUSING: NYLON 66, UL 94 V-2.  
 PLUNGER: PHENOLIC  
 SEAL: SILICONE RUBBER  
 SCREW TERMINAL, ACTIVE CONTACTOR, CONTACTOR SUPPORT: COPPER ALLOY PER ASTM B152  
 QC & SOLDER TERMINAL: COPPER ALLOY PER ASTM B036  
 SPRING: STEEL WIRE  
 CONTACTS: SILVER-TIN OXIDE

**2 FINISH:**  
 CONTACTOR SUPPORT, ACTIVE CONTACTOR: 1.01µm [.000040] MIN SILVER  
 QC TERMINAL: 1.27µm [.000050] MIN NICKEL  
 SOLDER TERMINAL: 1.27µm [.000050] MIN TIN

**3 ELECTRICAL SPECIFICATIONS:**  
 CURRENT AND VOLTAGE: **6**  
 CONTACT RESISTANCE (INITIAL): <50mΩ  
 DIELECTRIC STRENGTH (INITIAL): >1000 VAC, 1 MINUTE  
 INSULATION RESISTANCE (INITIAL): >100MΩ MIN (500VDC BETWEEN OPEN CONTACTS)  
 ELECTRICAL LIFE ENDURANCE: >6000 OPERATIONS, VOLTAGE DROP: <100mV  
 TEMPERATURE RISE AT TERMINALS: <30°C, 6000 OPERATIONS  
 (AMBIENT CONDITIONS: 25±2°C AND 65±5%R.H)

**4 MECHANICAL SPECIFICATIONS:**  
 ACTUATING FORCE: 400g MIN, 2900g MAX  
 OPERATING LIFE ENDURANCE: >100,000 OPERATIONS  
 TERMINAL RETENTION FORCE: >9kg- SOLDER LUG  
 >9kg- QC TAB  
 >6.8kg- #6-32 SCREW

**5 ENVIRONMENTAL SPECIFICATIONS:**  
 AMBIENT TEMPERATURE: -20°C TO +85°C  
 DEGREE OF PROTECTION: IP66

**6** 20A 125VAC, 10A 250VAC/12A 125VAC, 3/4HP/ 10A 277VAC, 3/4HP

**7** COUNTRY OF ORIGIN AND TERMINAL IDENTIFICATION NUMBERS MOLDED APPROXIMATELY AS SHOWN ON THE SWITCH HOUSING.

**8** ELECTRICAL RATINGS, APPROVED AGENCY LOGOS AND THE TYCO ELECTRONICS LOGO INK MARKED APPROXIMATELY AS SHOWN ON THE SWITCH HOUSING.

**9** COMPONENT RECOGNIZED TO US & CANADIAN STANDARDS, UL FILE NO. E46765.

**10** ROHS 2002/95/EC COMPLIANT

SWITCH TYPE: X1X2 = PR - POWER ROCKER

PANEL CUT OUT SIZE: X3 = C - 21.2x36.6 MIN [.835x1.441]

NUMBER OF POLES: X4 = S - SINGLE

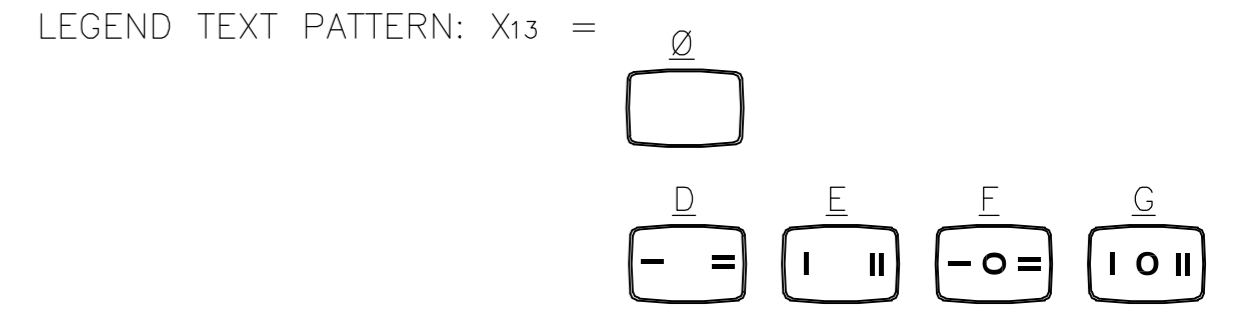
SWITCH FUNCTION: X5X6 =  
 D1-ON-NONE-ON, WITH OPAQUE, SINGLE-COLOR ROCKER BUTTON.  
 D3-ON-OFF-ON, WITH OPAQUE, SINGLE-COLOR ROCKER BUTTON.  
 D4-ON-OFF-(ON), WITH OPAQUE, SINGLE-COLOR ROCKER BUTTON.

CURRENT RATING: X7X8 = 20 - **6**  
 TERMINAL TYPE: X9 = E - QC TAB  
 L - SOLDER LUG  
 S - #6-32 UNC SCREW

FRAME COLOR: X10 = B - BLACK  
 W - WHITE

ROCKER COLOR: X11 = B - BLACK  
 G - GREEN  
 R - RED  
 W - WHITE  
 Y - YELLOW

SECONDARY ROCKER COLOR: X12 = Ø - NOT APPLICABLE



LEGEND TEXT COLOR: X14 = Ø - NOT APPLICABLE  
 G - GREEN  
 R - RED  
 B - BLACK  
 W - WHITE

3	PRCSD1-20S-BB0EW	1-1571100-2
3	PRCSD1-20S-BB0DW	1-1571100-1
3	PRCSD1-20S-BB000	1-1571100-0
1	PRCSD4-20F-BB0GW	1571100-9
1	PRCSD4-20F-BB0FW	1571100-8
1	PRCSD4-20F-BB000	1571100-7
2	PRCSD3-20F-BB0GW	1571100-6
2	PRCSD3-20F-BB0FW	1571100-5
2	PRCSD3-20F-BB000	1571100-4
3	PRCSD1-20F-BB0EW	1571100-3
3	PRCSD1-20F-BB0DW	1571100-2
3	PRCSD1-20F-BB000	1571100-1
SHEET REF	ALCOSWITCH PART NUMBER	TYCO PART NUMBER

THIS DRAWING IS A CONTROLLED DOCUMENT.		DWN M.BINNER 25FEB2002	Tyco Electronics Corporation Harrisburg, PA 17105-3608	
DIMENSIONS: mm [INCHES]		CHK D.ROHDE 16NOV05	NAME D.ROHDE	
TOLERANCES UNLESS OTHERWISE SPECIFIED:		APVD D.ROHDE 16NOV05	PRODUCT SPEC	
0 PLC ± - 1 PLC ± - 2 PLC ± - 3 PLC ± - 4 PLC ± - ANGLES ± -		APPLICATION SPEC		
MATERIAL	FINISH	WEIGHT	SIZE	RESTRICTED TO
<b>1</b>	<b>2</b>	-	A2 00779 C=1571100	-
CUSTOMER DRAWING			SCALE 2:1	SHEET 4 of 4 REV C1



Компания «ЭлектроПласт» предлагает заключение долгосрочных отношений при поставках импортных электронных компонентов на взаимовыгодных условиях!

Наши преимущества:

- Оперативные поставки широкого спектра электронных компонентов отечественного и импортного производства напрямую от производителей и с крупнейших мировых складов;
- Поставка более 17-ти миллионов наименований электронных компонентов;
- Поставка сложных, дефицитных, либо снятых с производства позиций;
- Оперативные сроки поставки под заказ (от 5 рабочих дней);
- Экспресс доставка в любую точку России;
- Техническая поддержка проекта, помощь в подборе аналогов, поставка прототипов;
- Система менеджмента качества сертифицирована по Международному стандарту ISO 9001;
- Лицензия ФСБ на осуществление работ с использованием сведений, составляющих государственную тайну;
- Поставка специализированных компонентов (Xilinx, Altera, Analog Devices, Intersil, Interpoint, Microsemi, Aeroflex, Peregrine, Syfer, Eurofarad, Texas Instrument, Miteq, Cobham, E2V, MA-COM, Hittite, Mini-Circuits, General Dynamics и др.);

Помимо этого, одним из направлений компании «ЭлектроПласт» является направление «Источники питания». Мы предлагаем Вам помощь Конструкторского отдела:

- Подбор оптимального решения, техническое обоснование при выборе компонента;
- Подбор аналогов;
- Консультации по применению компонента;
- Поставка образцов и прототипов;
- Техническая поддержка проекта;
- Защита от снятия компонента с производства.



#### Как с нами связаться

**Телефон:** 8 (812) 309 58 32 (многоканальный)

**Факс:** 8 (812) 320-02-42

**Электронная почта:** [org@eplast1.ru](mailto:org@eplast1.ru)

**Адрес:** 198099, г. Санкт-Петербург, ул. Калинина, дом 2, корпус 4, литера А.