

## GENERAL DESCRIPTION

The XRP6658 is a synchronous current mode PWM step down (buck) converter capable of delivering up to 1 Amp of current and optimized for portable battery-operated applications.

Based on a current mode 1.5MHz constant frequency PWM control scheme, the XRP6658 reduces the overall component count and solution footprint as well as provides a low output voltage ripple and excellent line and load regulation. It also implements a PFM mode to improve light load efficiency as well as a 100% duty cycle LDO mode. Output voltage is adjustable to as low as 0.6V with a better than 3% accuracy while a low quiescent current supports the most stringent battery operating conditions.

Built-in over temperature and under voltage lock-out protections insure safe operations under abnormal operating conditions.

The XRP6658 is offered in a RoHS compliant, "green"/halogen free 5-pin SOT23 package.

## APPLICATIONS

- **Portable Equipments**
- **Battery Operated Equipments**
- **Audio-Video Equipments**
- **Networking & Telecom Equipments**

## FEATURES

- **Guaranteed 1A Output Current**
  - Input Voltage: 2.5V to 5.5V
- **1.5MHz PWM Current Mode Control**
  - PFM Mode Operations at Light Load
  - 100% Duty Cycle LDO Mode Operations
  - Achieves 97% Efficiency
- **Adjustable Output Voltage Range**
  - As Low as 0.6V with  $\pm 3\%$  Accuracy
- **Internal Compensation Network**
- **15 $\mu$ A Quiescent Current**
- **Over Temperature & UVLO Protections**
- **RoHS Compliant "Green"/Halogen Free 5-Pin SOT23 Package**

## TYPICAL APPLICATION DIAGRAM

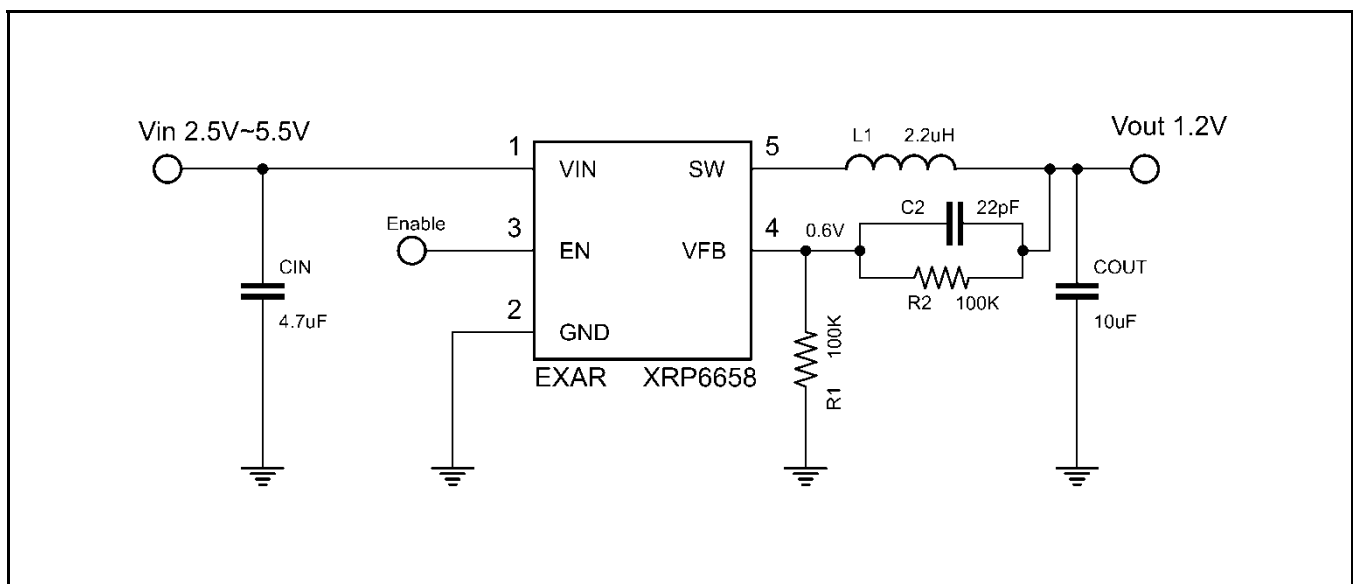


Fig. 1: XRP6658 Application Diagram



**ABSOLUTE MAXIMUM RATINGS**

These are stress ratings only and functional operation of the device at these ratings or any other above those indicated in the operation sections of the specifications below is not implied. Exposure to absolute maximum rating conditions for extended periods of time may affect reliability.

Input Voltage  $V_{IN}$  ..... -0.3V to 6.0V  
 EN,  $V_{FB}$  Voltages ..... -0.3V to  $V_{IN}$   
 SW Voltage..... -0.3V to ( $V_{IN} + 0.3V$ )  
 Storage Temperature ..... -65°C to 150°C  
 Lead Temperature (Soldering, 10 sec) ..... 260°C  
 ESD Rating (HBM - Human Body Model) ..... 2kV  
 ESD Rating (MM - Machine Model) ..... 200V  
 Junction Temperature (Notes 1, 3) ..... 150°C

**OPERATING RATINGS**

Input Voltage Range  $V_{IN}$ .....2.5V to 5.5V  
 Operating Temperature Range ..... -40°C to 85°C  
 Thermal Resistance .....  
 $\theta_{JA}$  (5 Pin SOT23) ..... 134.5°C/W  
 $\theta_{JC}$  (5 Pin SOT23) ..... 81°C/W

**ELECTRICAL SPECIFICATIONS**

Specifications with standard type are for an Ambient Temperature of  $T_A = 25^\circ\text{C}$  only; limits applying over the full Operating Temperature range are denoted by a "•". Minimum and Maximum limits are guaranteed through test, design, or statistical correlation. Typical values represent the most likely parametric norm at  $T_A = 25^\circ\text{C}$ , and are provided for reference purposes only. Unless otherwise indicated,  $V_{IN} = 3.6V$ ,  $T_A = 25^\circ\text{C}$ .

Parameter	Min.	Typ.	Max.	Units	Conditions
Input Voltage Range	2.5		5.5	V	
Feedback Current			$\pm 100$	nA	
Regulated Feedback Voltage	0.588	0.600	0.612	V	
Output Voltage Accuracy	-3		+3	%	$I_{OUT} = 100\text{mA}$ , $V_{IN} = 2.5V$ to 3.0V
Output Voltage Accuracy	-3		+3	%	• $I_{OUT} = 100\text{mA}$ , $V_{IN} = 3.0V$ to 5.5V
Reference Voltage Line Regulation			0.4	%/V	$V_{IN} = 2.5V$ to 3.0V
Reference Voltage Line Regulation			0.4	%/V	• $V_{IN} = 3.0V$ to 5.5V
Output Voltage Line Regulation			0.4	%/V	$V_{IN} = 2.5V$ to 3.0V
Output Voltage Line Regulation			0.4	%/V	• $V_{IN} = 3.0V$ to 5.5V
Peak Inductor Current	1.5	2.3		A	$V_{FB} = 0.5V$ or $V_{OUT} = 90\%$
PWM Quiescent Current (Note 2)		188		$\mu\text{A}$	$V_{FB} = 0.5V$ or $V_{OUT} = 90\%$
PFM Quiescent Current		15		$\mu\text{A}$	$V_{FB} = 0.65V$ or $V_{OUT} = 108\%$
Shutdown		0.1	1	$\mu\text{A}$	$V_{RUN} = 0V$ , $V_{IN} = 4.2V$
Oscillator Frequency	1.2	1.5	1.8	MHz	• $V_{FB} = 0.6V$ or $V_{OUT} = 100\%$
Short-Circuit Oscillator Frequency		900		kHz	• $V_{FB} = 0V$ or $V_{OUT} = 0V$
$R_{DS(ON)}$ of PMOS		0.24		$\Omega$	$I_{SW} = 100\text{mA}$
$R_{DS(ON)}$ of NMOS		0.21		$\Omega$	$I_{SW} = -100\text{mA}$
Under Voltage Lock Out		1.8		V	
SW Leakage			$\pm 1$	$\mu\text{A}$	$V_{RUN} = 0V$ , $V_{SW} = 0V$ or 5V, $V_{IN} = 5V$
Enable Threshold			1.2	V	•
Shutdown Threshold	0.4			V	•
EN Leakage Current			$\pm 1$	$\mu\text{A}$	•

Note 1:  $T_J$  is a function of the ambient temperature  $T_A$  and power dissipation  $P_D$ : ( $T_J = T_A + (P_D * \theta_{JA})$ )  
 Note 2: Dynamic quiescent current is higher due to the gate charge being delivered at the switching frequency.  
 Note 3: This IC is built-in over-temperature protection to avoid damage from overload conditions.  
 Note 4:  $\theta_{JA}$  is measured in the natural convection at  $T_A = 25^\circ\text{C}$  on a high effective thermal conductivity test board (2 layers, 2S0P) of JEDEC 51-5 thermal measurement standard.  
 Note 5:  $\theta_{JC}$  represents the resistance to the heat flows the chip to package top case.

**BLOCK DIAGRAM**

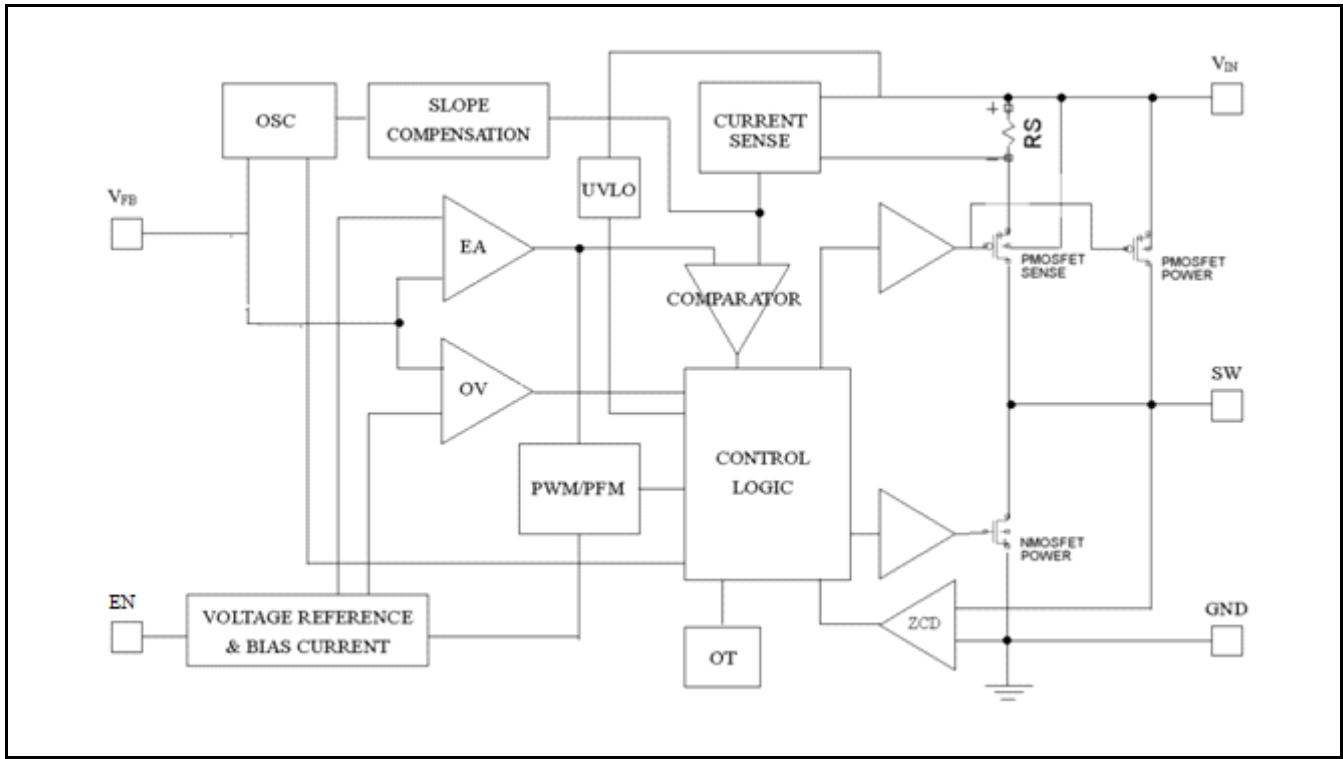


Fig. 2: XRP6658 Block Diagram

**PIN ASSIGNMENT**

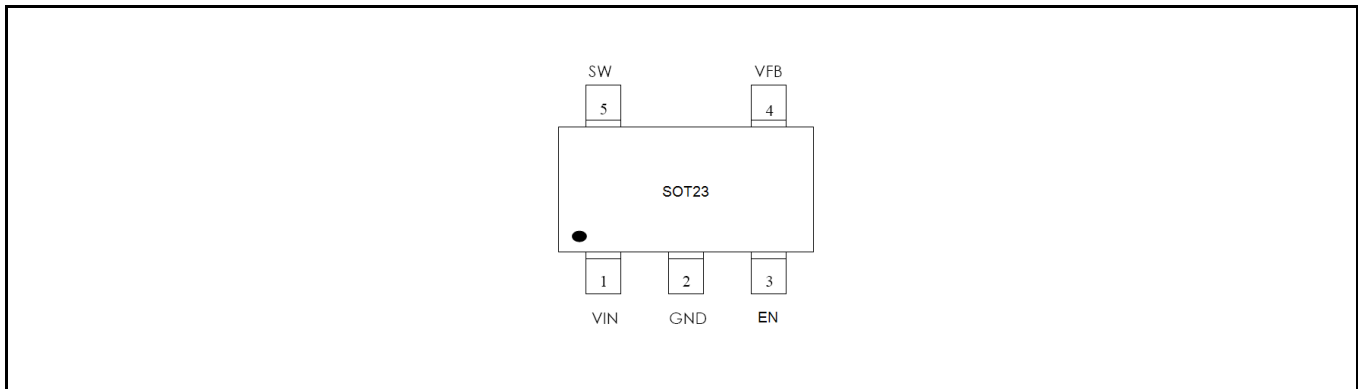


Fig. 3: XRP6658 Pin Assignment



**PIN DESCRIPTION**

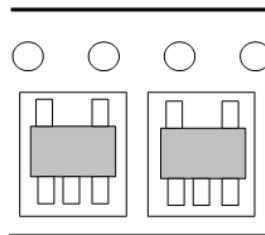
Name	Pin Number	Description
VIN	1	Power Input Pin. Must be closely decoupled to GND pin with a 4.7µF or greater ceramic capacitor.
GND	2	Ground Signal
EN	3	Enable Pin. Minimum 1.2V to enable the device. Maximum 0.4V to shutdown the device.
VFB	4	Feedback Pin. Receives the feedback voltage from an external resistive divider across the output.
SW	5	Switch Pin. Must be connected to Inductor. This pin connects to the drains of the internal main and synchronous power MOSFET switches.

**ORDERING INFORMATION**

Part Number	Temperature Range	Marking	Package	Packing Quantity	Note 1	Note 2
XRP6658ISTR-F	-40°C ≤ T <sub>A</sub> ≤ +85°C	HCWW	5-Pin SOT23	3K/Tape & Reel	RoHS Compliant Halogen Free	
XRP6658EVB	XRP6658 Evaluation Board					

“WW” = Work Week

Note that the XRP6658 series is packaged in Tape and Reel with a reverse part orientation as per the following diagram



**TYPICAL PERFORMANCE CHARACTERISTICS**

All data taken at  $V_{IN} = 3.6V$ ,  $T_J = T_A = 25^\circ C$ , unless otherwise specified - Schematic and BOM from Application Information section of this datasheet.

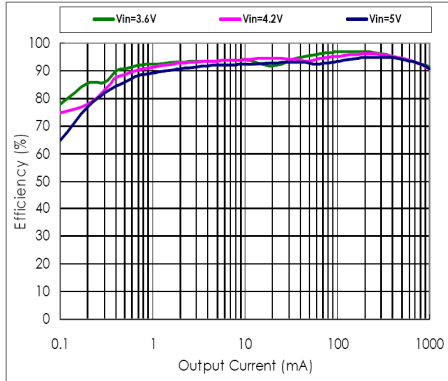


Fig. 4: Efficiency vs Output Current ( $V_{OUT}=3.3V$ )

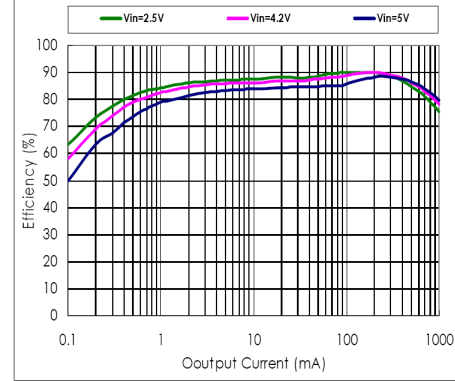


Fig. 5: Efficiency vs Output Current ( $V_{OUT}=1.2V$ )

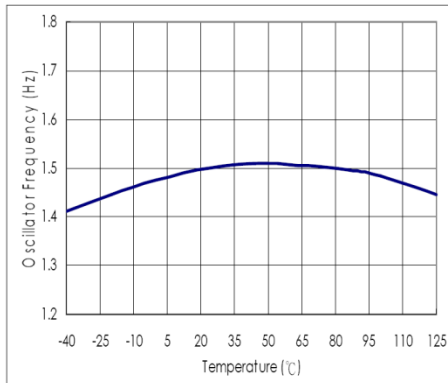


Fig. 6: Oscillator Frequency vs Temperature

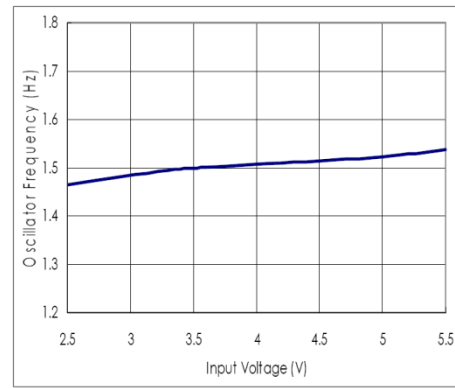


Fig. 7: Oscillator Frequency vs Supply Voltage

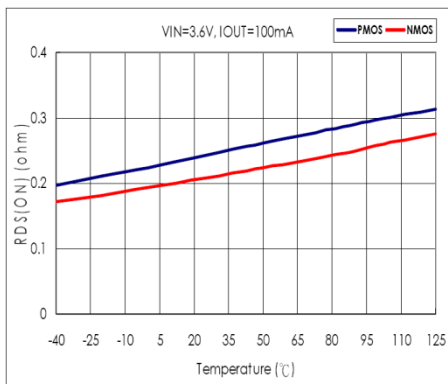


Fig. 8:  $R_{DS(ON)}$  vs Temperature

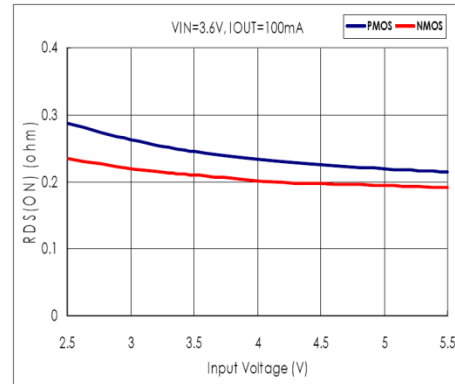


Fig. 9:  $R_{DS(ON)}$  vs Input Voltage

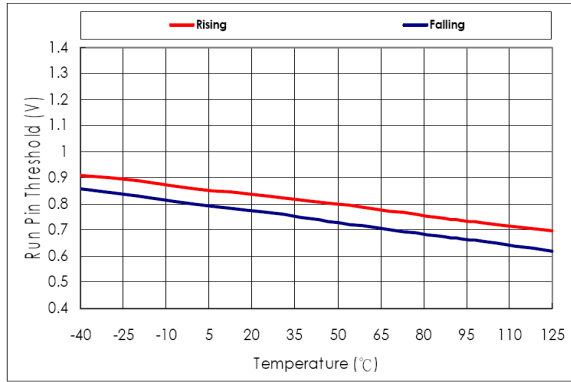


Fig. 10: EN Pin Threshold vs Temperature

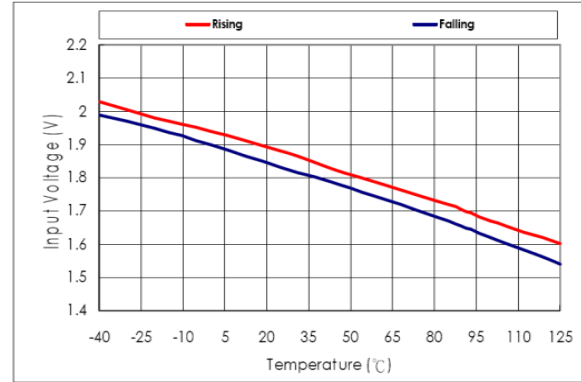


Fig. 11: UVLO Threshold vs Temperature

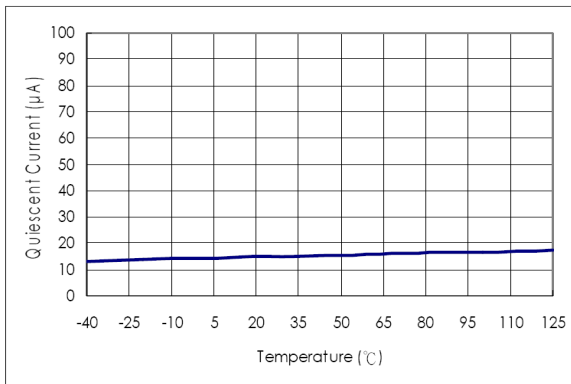


Fig. 12: Quiescent Current vs Temperature (PFM Mode)

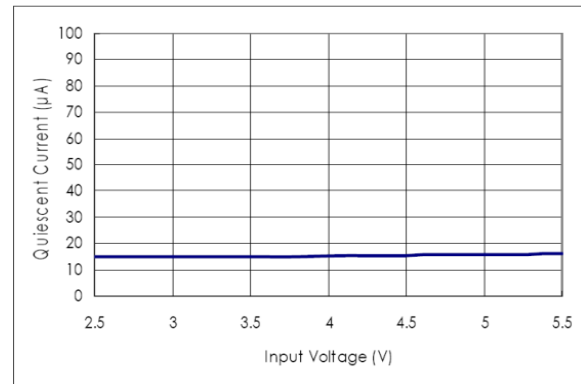


Fig. 13: Quiescent Current vs Input Voltage (PFM Mode)

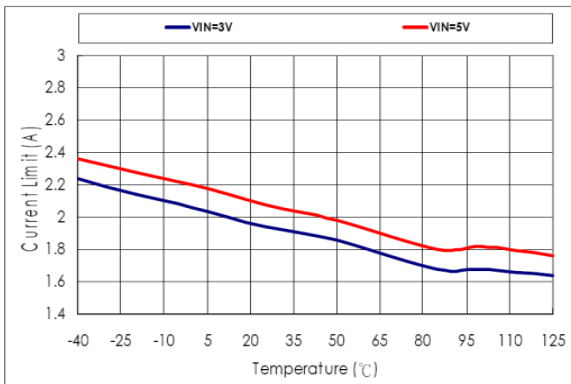


Fig. 14: Current Limit vs Temperature ( $V_{OUT}=1.2V$ )

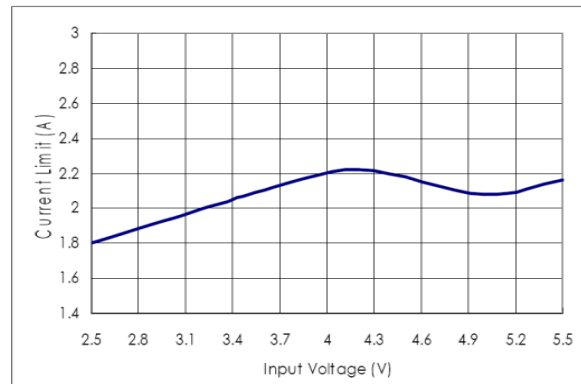


Fig. 15: Current Limit vs Input Voltage ( $V_{OUT}=1.2V$ )

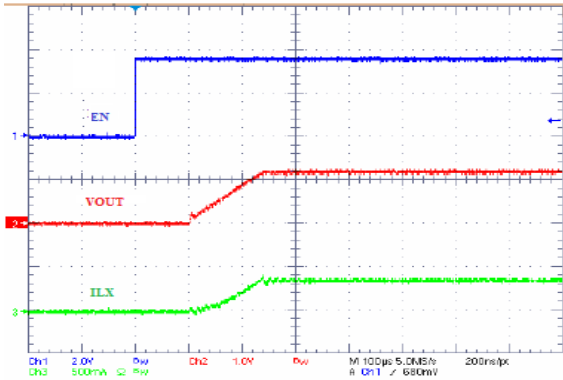


Fig. 16: Power On From EN Pin ( $I_{OUT}=1A$ )

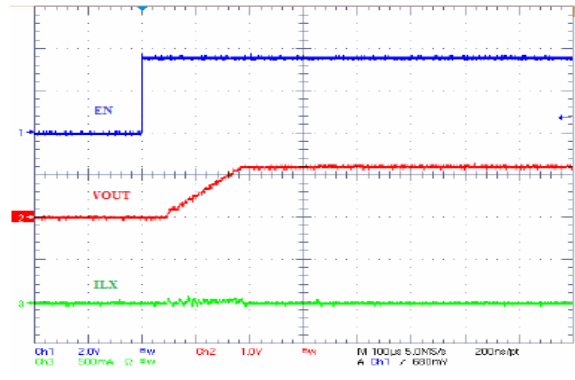


Fig. 17: Power On From EN Pin ( $I_{OUT}=10mA$ )

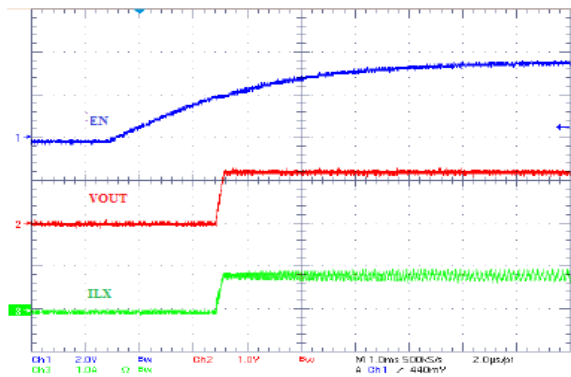


Fig. 18: Power On From  $V_{IN}$  ( $I_{OUT}=1A$ )

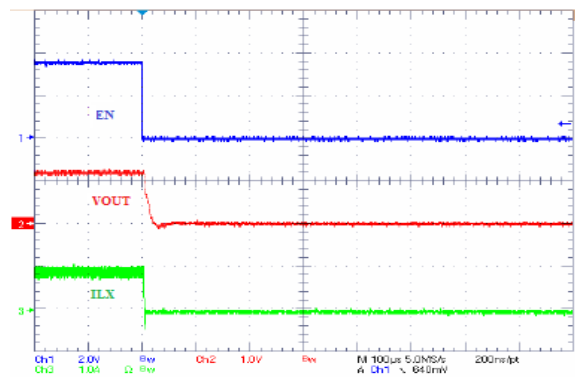


Fig. 19: Power Off From EN ( $I_{OUT}=1A$ )

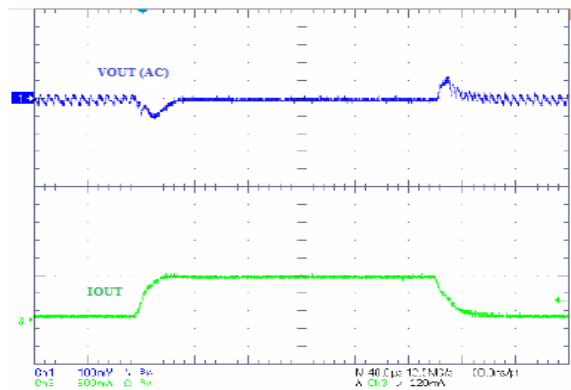


Fig. 20: Load Step Response  
 $V_{OUT}=1.2V$ ,  $I_{OUT}$  From 50mA to 500mA

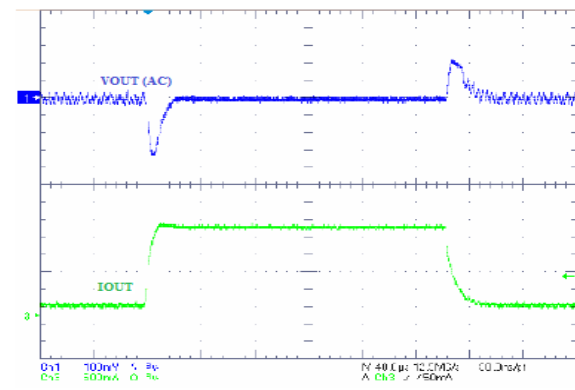


Fig. 21: Load Step Response  
 $V_{OUT}=1.2V$ ,  $I_{OUT}$  From 50mA to 1A

## THEORY OF OPERATION

The typical application circuit of adjustable version is shown in figure 22.

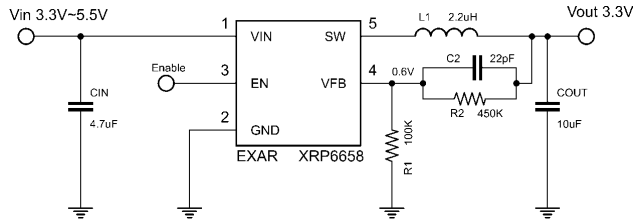


Fig. 22: Typical Application

## INDUCTOR SELECTION

Inductor ripple current and saturation current rating are two factors to be considered when selecting the inductor value. A low DCR inductor is preferred.

The inductor value L can be calculated from the following equation:

$$L = (V_{IN} - V_{OUT}) \times \left(\frac{V_{OUT}}{V_{IN}}\right) \times \left(\frac{1}{f}\right) \times \left(\frac{1}{\Delta IL}\right)$$

## C<sub>IN</sub> AND C<sub>OUT</sub> SELECTION

A low ESR input capacitor can minimize the input voltage ripple. Voltage rating of the capacitor should be at least 50% higher than the input voltage. The RMS current of the input capacitor is required to be larger than the I<sub>RMS</sub> calculated by:

$$I_{RMS} \cong I_{OMAX} \frac{\sqrt{V_{OUT}(V_{IN}-V_{OUT})}}{V_{IN}}$$

The ESR value is an important parameter to consider when selecting an output capacitor C<sub>OUT</sub>. The output ripple V<sub>OUT</sub> is determined by:

$$\Delta V_{OUT} \cong \Delta I_L \left( ESR + \frac{1}{8 \times f \times C_{OUT}} \right)$$

The output capacitor's value can be optimized for very low output voltage ripple and small circuit size. Voltage rating of the capacitor should be at least 50% higher than the output voltage. Higher values, lower cost ceramic capacitors are now available in smaller sizes. These ceramic capacitors have high ripple currents, high voltage ratings and low ESR that make them ideal for switching regulator applications.

It is recommended to use X5R or X7R ceramic capacitors as they have the best temperature and voltage characteristics.

## OUTPUT VOLTAGE SELECTION

The output voltage is adjustable via the external resistor network R1 and R2 as per the following formula:

$$V_{OUT} = V_{REF} \times \left( 1 + \frac{R2}{R1} \right)$$

where, V<sub>REF</sub> is the reference voltage at 0.6V.

The feedback resistors must be chosen such that power dissipation of the network is minimal. R1 must be selected within the range of 80kΩ ≤ R1 ≤ 120kΩ. R2 is selected based on the above equation.

## THERMAL CONSIDERATIONS

Although thermal shutdown is built-in in XRP6658 to protect the device from thermal damage, the total power dissipation that XRP6658 can sustain is based on the package thermal capability. The formula to ensure safe operation is shown in Note 1. To avoid XRP6658 from exceeding the maximum junction temperature, some thermal analysis is required.

## GUIDELINES FOR PCB LAYOUT

To ensure proper operation of the XRP6658, please note the following PCB layout guidelines:

1. The GND, SW and VIN traces should be kept short, direct and wide.
2. VFB pin must be connected directly to the feedback resistors. Resistive divider R1/R2 must be connected in parallel to the output capacitor C<sub>OUT</sub>.
3. The input capacitor C<sub>IN</sub> must be as close as possible to pin VIN.
4. Keep SW node away from the sensitive VFB node since SW signal experiences high frequency voltage swings.



**TYPICAL APPLICATIONS**

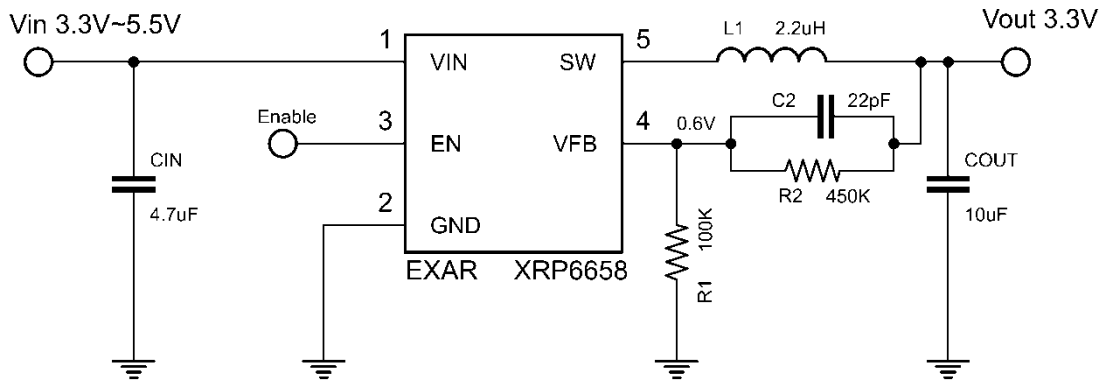


Fig. 23: 3.3V/5.5V to 3.3V Conversion

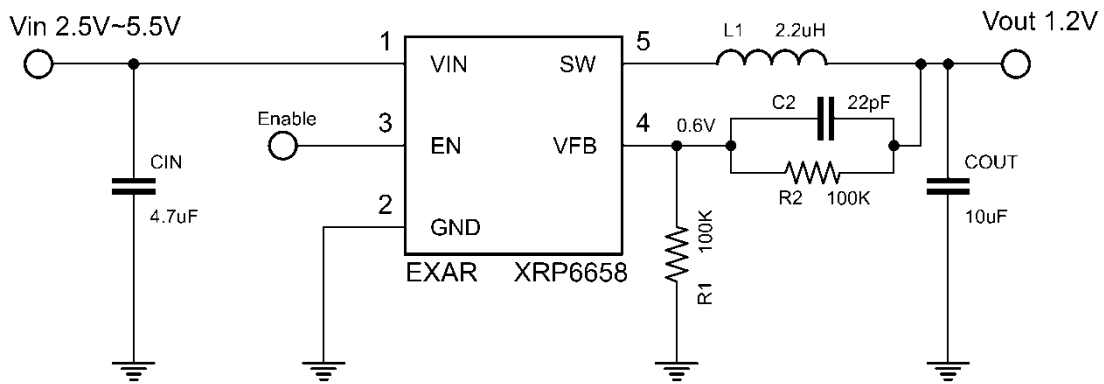
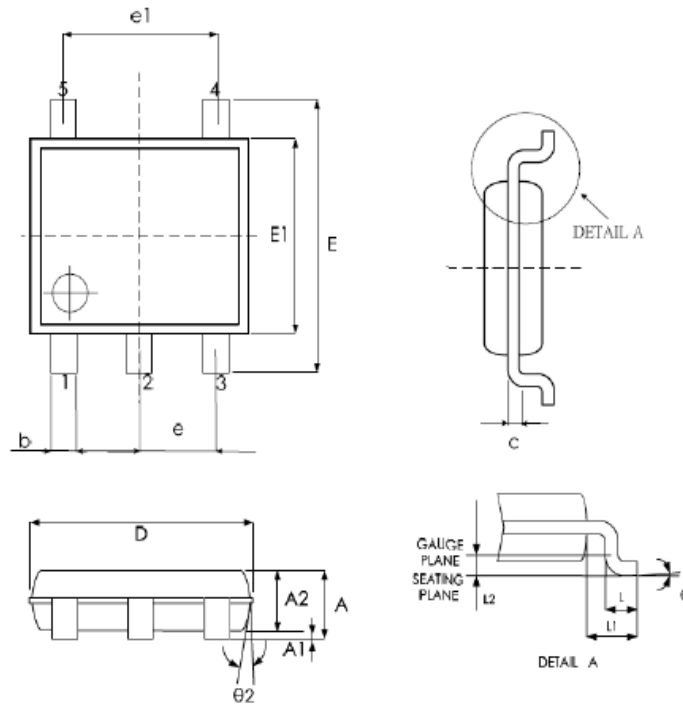


Fig. 24: 2.5V/5.5V to 1.2V Conversion

**PACKAGE SPECIFICATION**

**5-PIN SOT23**



SYMBPLS	MIN.	NOM.	MAX.
A	1.05	1.20	1.35
A1	0.05	0.10	0.15
A2	1.00	1.10	1.20
b	0.30	—	0.50
C	0.08	—	0.20
D	2.80	2.90	3.00
E	2.60	2.80	3.00
E1	1.50	1.60	1.70
e	0.95 BSC		
e1	1.90 BSC		
L	0.30	0.45	0.55
L1	0.60 REF		
$\theta^\circ$	0	5	10
$\theta2^\circ$	6	8	10

UNIT: MM



**REVISION HISTORY**

Revision	Date	Description
1.0.0	09/16/2010	Initial release of datasheet
1.1.0	09/30/2010	Corrected pin-out on schematics Figures 1, 23 and 24
1.2.0	11/15/2010	Corrected $\Delta V_{OUT}$ equation: changed $V_{OUT}$ to $C_{OUT}$ . Updated 'Output Voltage selection' section.
1.3.0	01/14/2011	Added specific test conditions and data in Electrical Specification Table for output voltage accuracy, reference voltage Line regulation and output voltage line regulation for operations below 3V.
1.4.0	07/19/2011	Corrected typographical errors on package specification table parameters "b" and "e"
1.5.0	0/15/2011	Added a range for the selection of lower feedback resistor.

**FOR FURTHER ASSISTANCE**

Email:

customersupport@exar.com

Exar Technical Documentation:

<http://www.exar.com/TechDoc/default.aspx?>

**EXAR CORPORATION**

**HEADQUARTERS AND SALES OFFICES**

48720 Kato Road  
Fremont, CA 94538 – USA  
Tel.: +1 (510) 668-7000  
Fax: +1 (510) 668-7030  
[www.exar.com](http://www.exar.com)



**NOTICE**

EXAR Corporation reserves the right to make changes to the products contained in this publication in order to improve design, performance or reliability. EXAR Corporation assumes no responsibility for the use of any circuits described herein, conveys no license under any patent or other right, and makes no representation that the circuits are free of patent infringement. Charts and schedules contained here in are only for illustration purposes and may vary depending upon a user's specific application. While the information in this publication has been carefully checked; no responsibility, however, is assumed for inaccuracies.

EXAR Corporation does not recommend the use of any of its products in life support applications where the failure or malfunction of the product can reasonably be expected to cause failure of the life support system or to significantly affect its safety or effectiveness. Products are not authorized for use in such applications unless EXAR Corporation receives, in writing, assurances to its satisfaction that: (a) the risk of injury or damage has been minimized; (b) the user assumes all such risks; (c) potential liability of EXAR Corporation is adequately protected under the circumstances.

Reproduction, in part or whole, without the prior written consent of EXAR Corporation is prohibited.



Компания «ЭлектроПласт» предлагает заключение долгосрочных отношений при поставках импортных электронных компонентов на взаимовыгодных условиях!

Наши преимущества:

- Оперативные поставки широкого спектра электронных компонентов отечественного и импортного производства напрямую от производителей и с крупнейших мировых складов;
- Поставка более 17-ти миллионов наименований электронных компонентов;
- Поставка сложных, дефицитных, либо снятых с производства позиций;
- Оперативные сроки поставки под заказ (от 5 рабочих дней);
- Экспресс доставка в любую точку России;
- Техническая поддержка проекта, помощь в подборе аналогов, поставка прототипов;
- Система менеджмента качества сертифицирована по Международному стандарту ISO 9001;
- Лицензия ФСБ на осуществление работ с использованием сведений, составляющих государственную тайну;
- Поставка специализированных компонентов (Xilinx, Altera, Analog Devices, Intersil, Interpoint, Microsemi, Aeroflex, Peregrine, Syfer, Eurofarad, Texas Instrument, Miteq, Cobham, E2V, MA-COM, Hittite, Mini-Circuits, General Dynamics и др.);

Помимо этого, одним из направлений компании «ЭлектроПласт» является направление «Источники питания». Мы предлагаем Вам помощь Конструкторского отдела:

- Подбор оптимального решения, техническое обоснование при выборе компонента;
- Подбор аналогов;
- Консультации по применению компонента;
- Поставка образцов и прототипов;
- Техническая поддержка проекта;
- Защита от снятия компонента с производства.



#### Как с нами связаться

**Телефон:** 8 (812) 309 58 32 (многоканальный)

**Факс:** 8 (812) 320-02-42

**Электронная почта:** [org@eplast1.ru](mailto:org@eplast1.ru)

**Адрес:** 198099, г. Санкт-Петербург, ул. Калинина, дом 2, корпус 4, литера А.