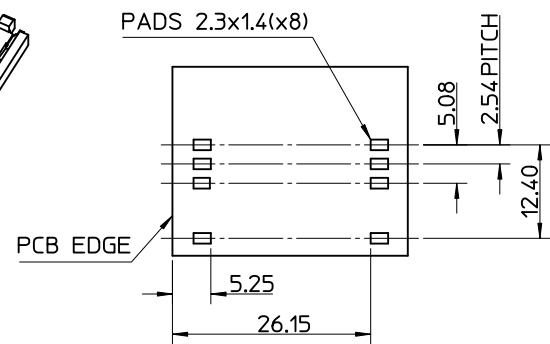
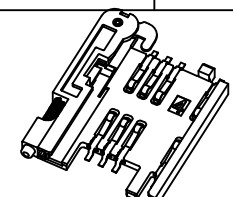
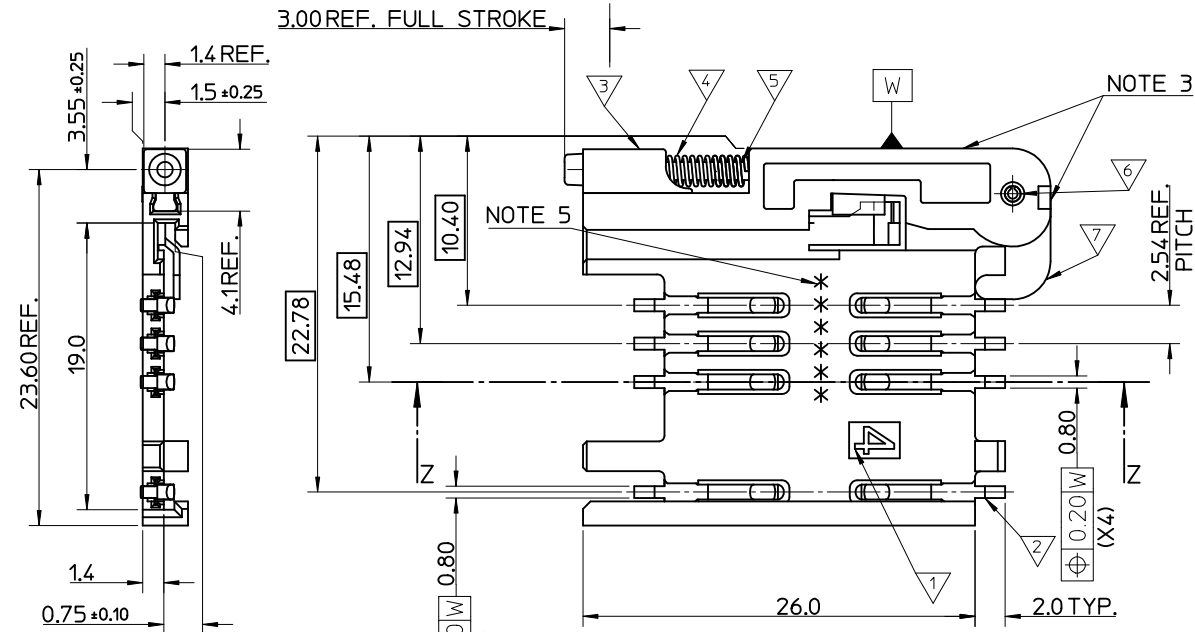
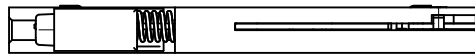


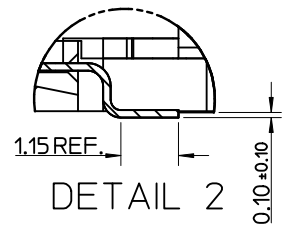
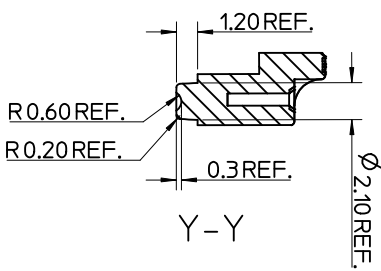
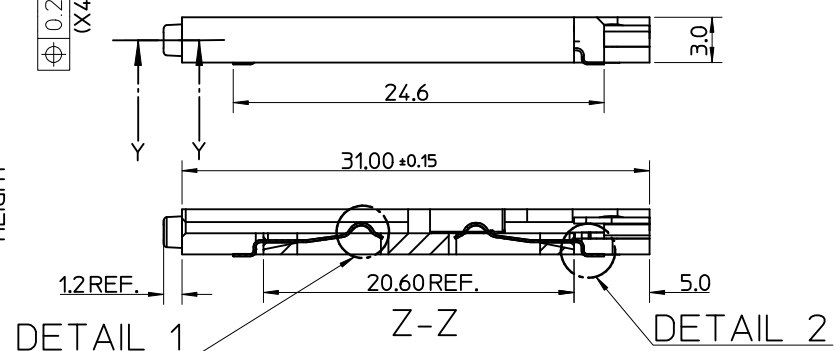
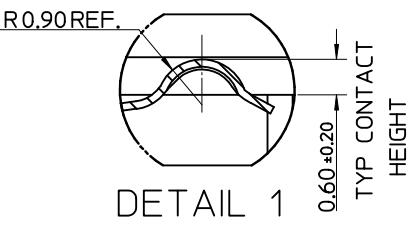
MATERIAL NUMBER	DESCRIPTION
912283001	REELED ONTO CARDBOARD REEL
912283019	REELED ONTO PLASTIC REEL



RECOMMENDED PCB LAYOUT
(COMPONENT SIDE)

- NOTES:
- SEE PRODUCT SPECIFICATION PS-99020-0071.
 - PACKAGING: TAPE & REEL, FOR DETAIL SEE SDA-91228-9001, SHEET 1
 - PUSH ROD/LEVER MUST NOT PROTRUDE BEYOND HOUSING EDGE IN THIS AREA.
 - TAILS ON EACH SIDE OF CONNECTOR TO LIE WITHIN 0.12 mm OF EACH OTHER
 - DATECODE: (YEAR, WEEK, WEEK, DAY, HOUR, HOUR)

ITEM	COMPONENT	QTY	MATERIAL
▽	HOUSING	1	LIQUID CRYSTAL POLYMER (LCP) 30% GLASS FILL, JL94 V-O, COLOUR: BLACK
▽	TERMINAL	8	0.15 PHOSPHOR BRONZE, 0.14µm MIN Au OVER Pd/Ni IN CONTACT AREA 2.54µm MIN Sn ON SMT TAILS
▽	PUSH BUTTON	1	GF POLYAMIDE 6T/66, YELLOW
▽	COIL SPRING	1	0.25 REF THK STAINLESS STEEL
▽	PUSH ROD	1	0.4 REF THK STAINLESS STEEL
▽	C-PIN	1	STEEL
▽	LEVER	1	0.4 REF THK STAINLESS STEEL

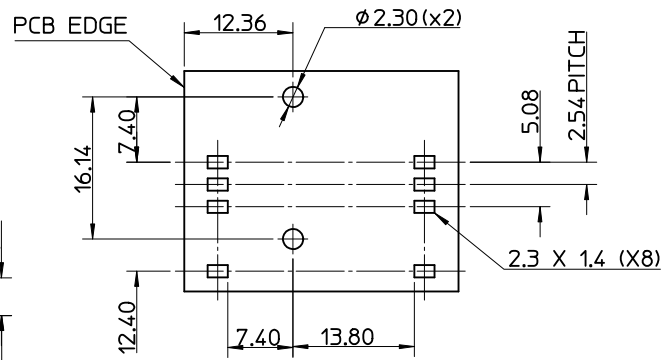
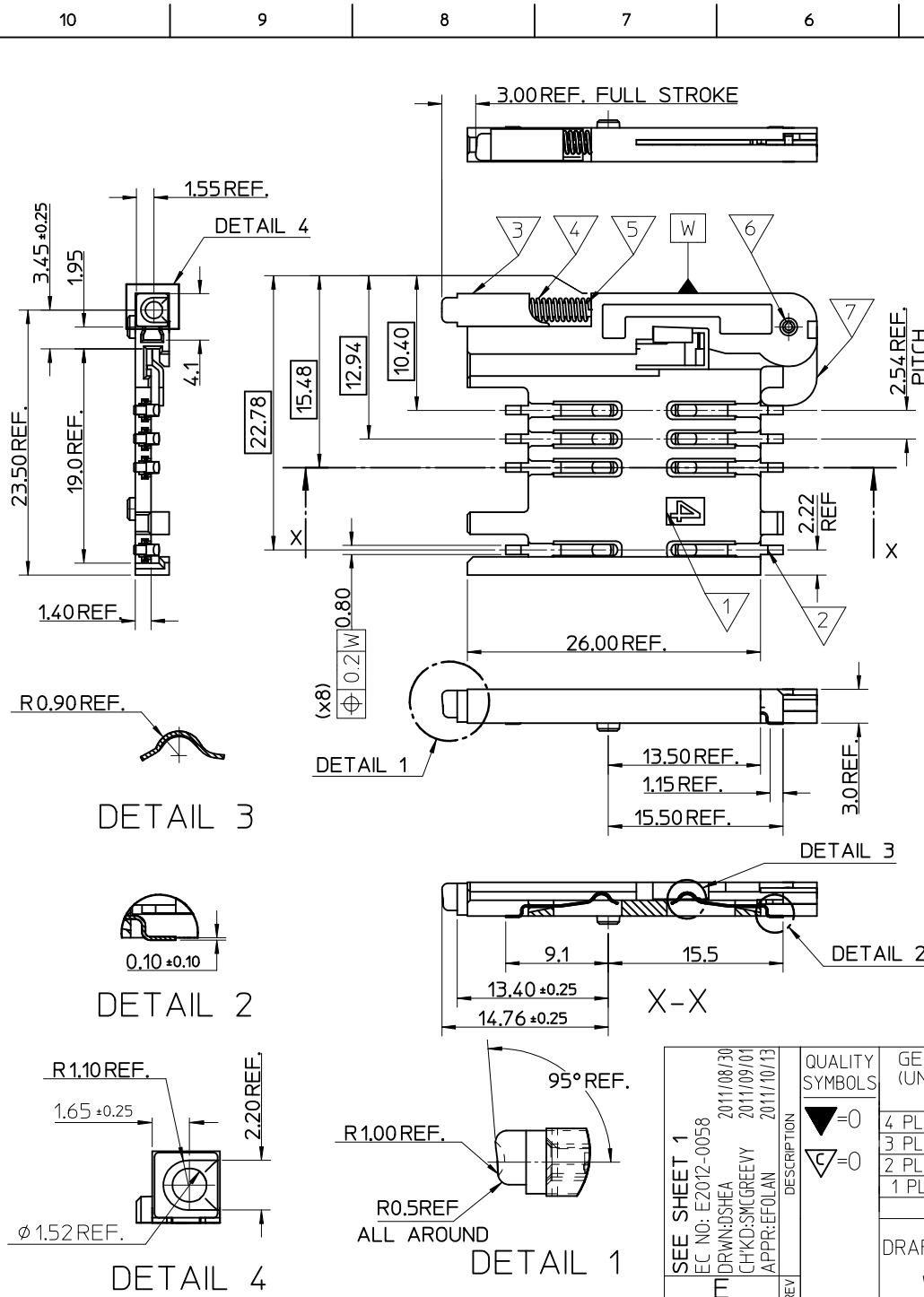


REV	DESCRIPTION	DATE	BY
1	ADDED REEL OPTION	2011/08/30	DRW:NDLSHEA
2		2011/09/01	CHK:KDS:SMCGREEVY
3		2011/10/13	APPR:EFOLAN

QUALITY SYMBOLS	GENERAL TOLERANCES (UNLESS SPECIFIED)
▽ = 0	mm INCH
▽ = 0	4 PLACES ± --- ± ---
	3 PLACES ± --- ± ---
	2 PLACES ± 0.05 ± ---
	1 PLACE ± 0.1 ± ---
	ANGULAR ± 2 °

DIMENSION STYLE		SCALE		DESIGN UNITS		THIRD ANGLE PROJECTION	
MM ONLY		5:1		METRIC		THIRD ANGLE PROJECTION	
DRAWN BY	DATE	TITLE				SIM CONNECTOR ASSY	
RFORREY	2006/11/27						
CHECKED BY	DATE						
FDUGGAN	2006/11/27						
APPROVED BY	DATE						
EFOLAN	2006/11/27						
MATERIAL NO.		DOCUMENT NO.		MOLEX INCORPORATED		SHEET NO.	
SEE TABLE				SD-91228-001		1 OF 6	

DRAFT WHERE APPLICABLE MUST REMAIN WITHIN DIMENSIONS		THIS DRAWING CONTAINS INFORMATION THAT IS PROPRIETARY TO MOLEX INCORPORATED AND SHOULD NOT BE USED WITHOUT WRITTEN PERMISSION	
SIZE	A3		



RECOMMENDED PCB LAYOUT
(COMPONENT SIDE)

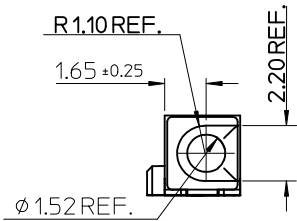
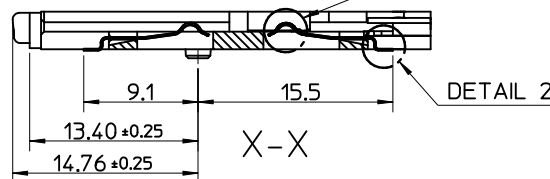
- NOTES:
1. SEE PRODUCT SPECIFICATION PS-99020-0071.
 2. PACKAGING: TAPE & REEL, FOR DETAIL SEE SDA-91228-9001, SHEET 1
 3. FOR ALL UNSPECIFIED DIMENSIONS AND NOTES SEE SHEET 1.

ITEM	COMPONENT	QTY	MATERIAL
▽	HOUSING		LIQUID CRYSTAL POLYMER (LCP) 30% GLASS FILL, UL94 V-0, COLOUR: BLACK
▽	TERMINAL		0.15 PHOSPHOR BRONZE. 0.14m MIN Au OVER Pd/Ni IN CONTACT AREA 2.54m MIN Sn ON SMT TAILS
▽	PUSH BUTTON		GF POLYAMIDE 6T/66. BLACK.
▽	COIL SPRING		0.25 REF THK STAINLESS STEEL
▽	PUSH ROD		0.4 REF THK STAINLESS STEEL
▽	C-PIN		STEEL
▽	LEVER		0.4 REF THK STAINLESS STEEL

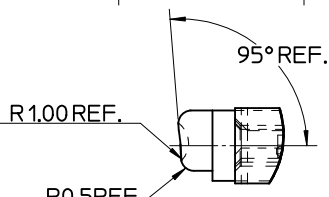
DETAIL 3



DETAIL 2



DETAIL 4



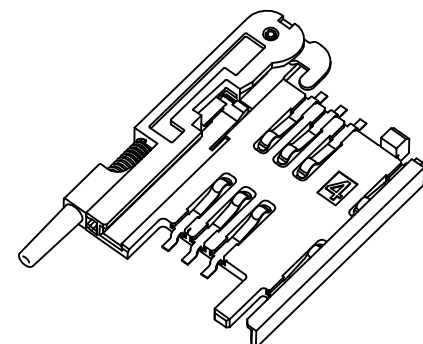
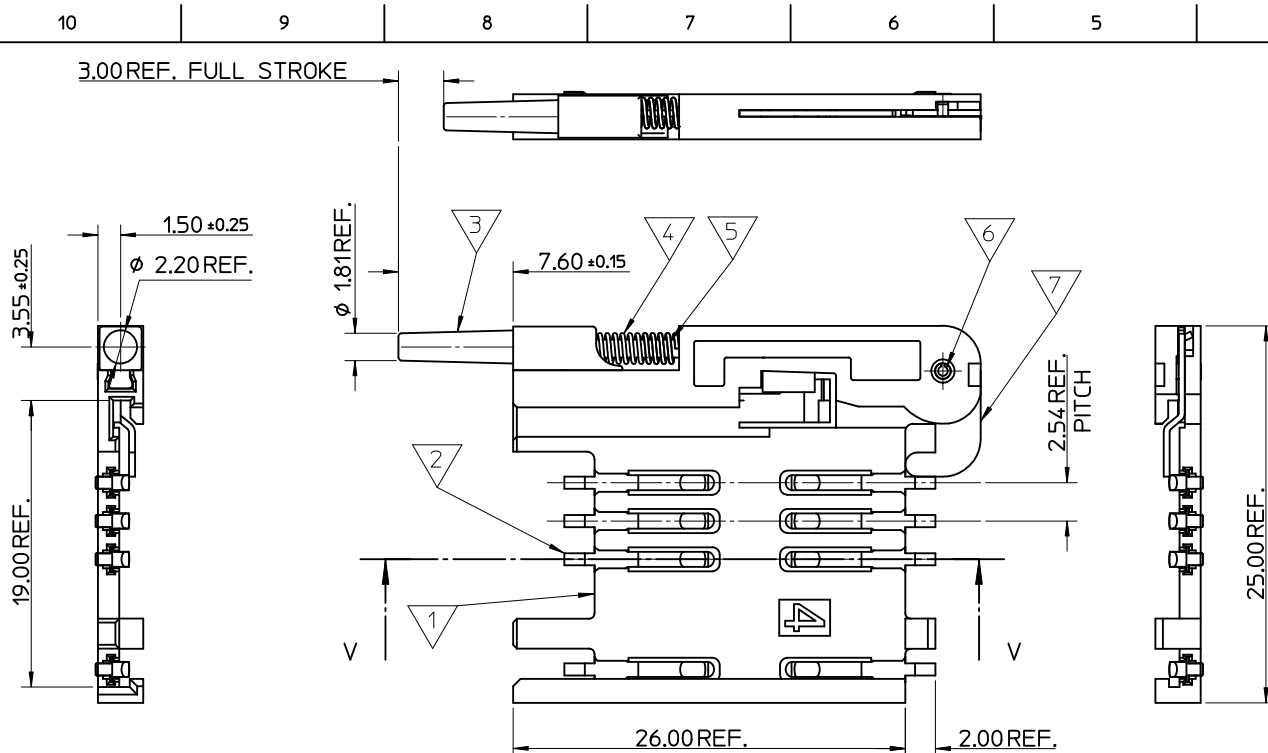
DETAIL 1

SEE SHEET 1	QUALITY SYMBOLS
EC NO: E2012-0058	▽ = 0
DRWN: DSHEA 2011/08/30	▽ = 0
CHKD: SMCGREEV 2011/09/01	
APPR: EFOLAN 2011/10/13	
REV	DESCRIPTION

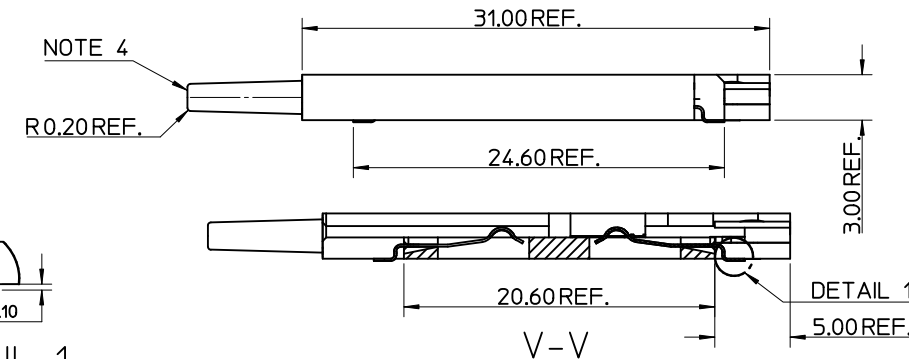
GENERAL TOLERANCES (UNLESS SPECIFIED)	
mm	INCH
4 PLACES ± ---	± ---
3 PLACES ± ---	± ---
2 PLACES ± 0.05	± ---
1 PLACE ± 0.1	± ---
ANGULAR ± 2 °	
DRAFT WHERE APPLICABLE MUST REMAIN WITHIN DIMENSIONS	

DIMENSION STYLE		SCALE	DESIGN UNITS	THIRD ANGLE PROJECTION
MM ONLY		5:1	METRIC	
DRAWN BY	DATE	TITLE		
RFORREY	2006/11/27	SIM CONNECTOR ASSY		
CHECKED BY	DATE			
FDUGGAN	2006/11/27			
APPROVED BY	DATE			
EFOLAN	2006/11/27			
MATERIAL NO.	DOCUMENT NO.			
912283002	SD-91228-001			
SIZE	THIS DRAWING CONTAINS INFORMATION THAT IS PROPRIETARY TO MOLEX INCORPORATED AND SHOULD NOT BE USED WITHOUT WRITTEN PERMISSION			
A3				

MATERIAL NO.		DOCUMENT NO.	SHEET NO.
912283002		SD-91228-001	2 OF 6

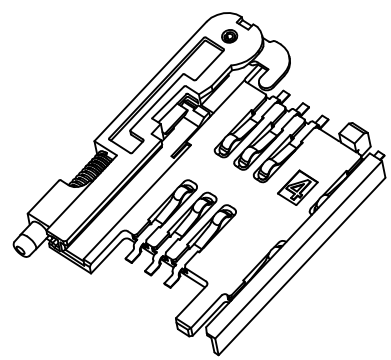
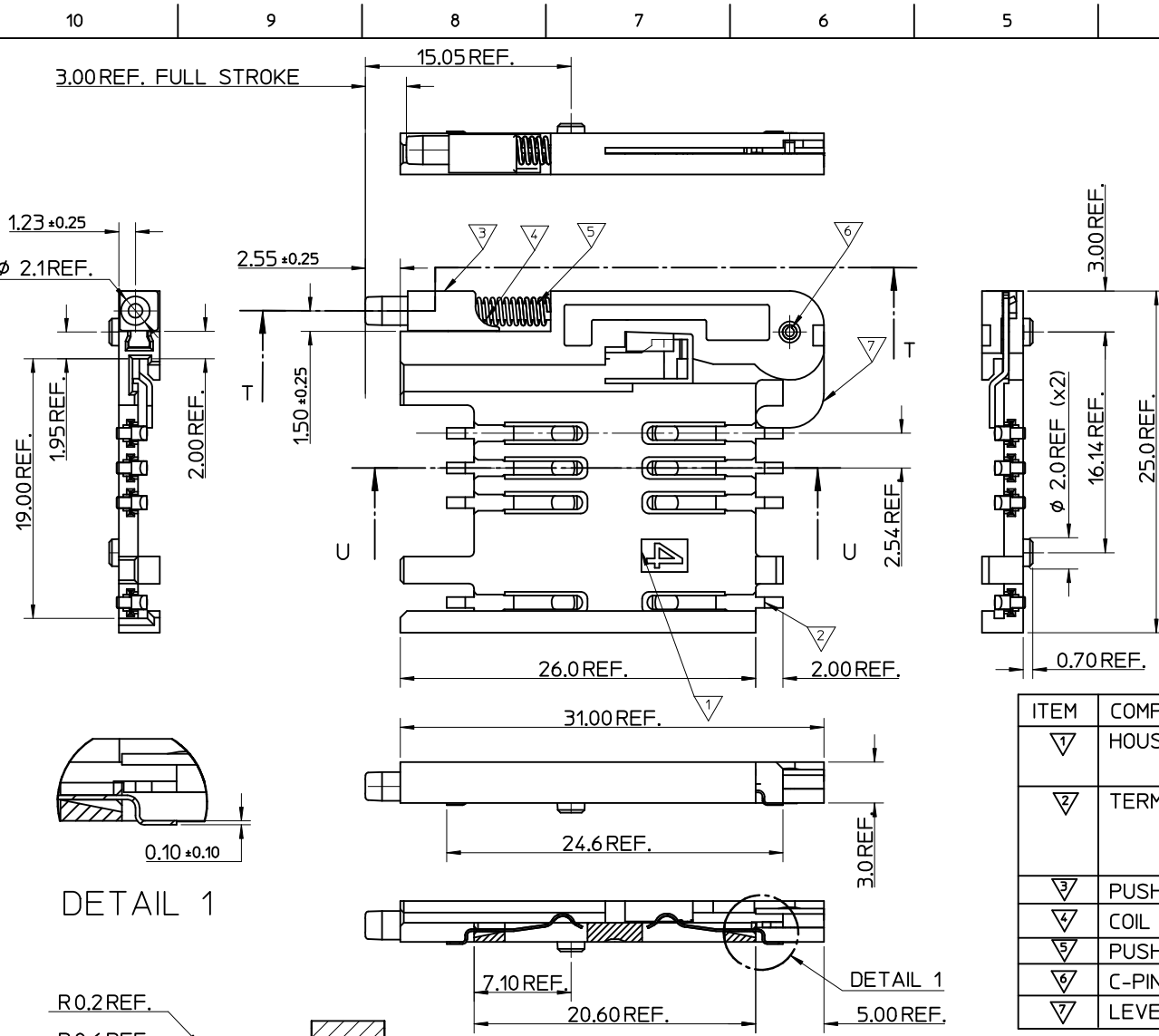


- NOTES:
1. SEE PRODUCT SPECIFICATION PS-91228-004.
 2. PACKAGING: TAPE & REEL, FOR DETAIL SEE SDA-91228-9001, SHEET 2.
 3. SEE SHEET 1 FOR ALL UNSPECIFIED NOTES AND DIMENSIONS.
 4. ALLOWABLE FLASH IN THIS AREA 0.3mm MAX.



ITEM	COMPONENT	QTY	MATERIAL
1	HOUSING	1	LIQUID CRYSTAL POLYMER (LCP) 30% GLASS FILL, UL94 V-0, COLOUR: BLACK
2	TERMINAL	8	0.15 PHOSPHOR BRONZE. 0.14mm MIN Au OVER Pd/Ni IN CONTACT AREA 2.54mm MIN Sn ON SMT TAILS
3	PUSH BUTTON	1	GF POLYAMIDE 6T/66, NATURAL
4	COIL SPRING	1	0.25 REF THK STAINLESS STEEL
5	PUSH ROD	1	0.4 REF THK STAINLESS STEEL
6	C-PIN	1	STEEL
7	LEVER	1	0.4 REF THK STAINLESS STEEL

SEE SHEET 1 IEC NO: E2012-0058 DRW: DRWDSHEA 2011/08/30 CHKD: SMCREEVY 2011/09/01 APPR: EFOLAN 2011/10/13	QUALITY SYMBOLS	GENERAL TOLERANCES (UNLESS SPECIFIED)	DIMENSION STYLE	SCALE	DESIGN UNITS	THIRD ANGLE PROJECTION																
	$\nabla = 0$ $\nabla C = 0$	<table border="1"> <tr> <th></th> <th>mm</th> <th>INCH</th> </tr> <tr> <td>4 PLACES</td> <td>± ---</td> <td>± ---</td> </tr> <tr> <td>3 PLACES</td> <td>± ---</td> <td>± ---</td> </tr> <tr> <td>2 PLACES</td> <td>± 0.05</td> <td>± ---</td> </tr> <tr> <td>1 PLACE</td> <td>± 0.1</td> <td>± ---</td> </tr> </table>		mm	INCH	4 PLACES	± ---	± ---	3 PLACES	± ---	± ---	2 PLACES	± 0.05	± ---	1 PLACE	± 0.1	± ---	MM ONLY	5:1	METRIC		
		mm	INCH																			
	4 PLACES	± ---	± ---																			
3 PLACES	± ---	± ---																				
2 PLACES	± 0.05	± ---																				
1 PLACE	± 0.1	± ---																				
<table border="1"> <tr> <td>DRAWN BY</td> <td>DATE</td> <td>TITLE</td> </tr> <tr> <td>RFORREY</td> <td>2006/11/27</td> <td rowspan="4">SIM CONNECTOR ASSY</td> </tr> <tr> <td>CHECKED BY</td> <td>DATE</td> </tr> <tr> <td>FDUGGAN</td> <td>2006/11/27</td> </tr> <tr> <td>APPROVED BY</td> <td>DATE</td> </tr> <tr> <td>EFOLAN</td> <td>2006/11/27</td> <td></td> </tr> </table>	DRAWN BY	DATE	TITLE	RFORREY	2006/11/27	SIM CONNECTOR ASSY	CHECKED BY	DATE	FDUGGAN	2006/11/27	APPROVED BY	DATE	EFOLAN	2006/11/27		<table border="1"> <tr> <td>MATERIAL NO.</td> <td>DOCUMENT NO.</td> <td>SHEET NO.</td> </tr> <tr> <td>912283005</td> <td>SD-91228-001</td> <td>3 OF 6</td> </tr> </table>	MATERIAL NO.	DOCUMENT NO.	SHEET NO.	912283005	SD-91228-001	3 OF 6
DRAWN BY	DATE	TITLE																				
RFORREY	2006/11/27	SIM CONNECTOR ASSY																				
CHECKED BY	DATE																					
FDUGGAN	2006/11/27																					
APPROVED BY	DATE																					
EFOLAN	2006/11/27																					
MATERIAL NO.	DOCUMENT NO.	SHEET NO.																				
912283005	SD-91228-001	3 OF 6																				
DRAFT WHERE APPLICABLE MUST REMAIN WITHIN DIMENSIONS	THIS DRAWING CONTAINS INFORMATION THAT IS PROPRIETARY TO MOLEX INCORPORATED AND SHOULD NOT BE USED WITHOUT WRITTEN PERMISSION																					



- NOTES:
1. SEE PRODUCT SPECIFICATION PS-99020-0071.
 2. PACKAGING: TAPE & REEL, FOR DETAIL SEE SDA-91228-9001, SHEET 2.
 3. SEE SHEETS 1 & 2 FOR ALL UNSPECIFIED NOTES AND DIMENSIONS.

ITEM	COMPONENT	QTY	MATERIAL
▽1	HOUSING	1	LIQUID CRYSTAL POLYMER (LCP) 30% GLASS FILL, UL94 V-0, COLOUR: BLACK
▽2	TERMINAL	8	0.15 PHOSPHOR BRONZE. 0.14mm MIN Au OVER Pd/Ni IN CONTACT AREA 2.54mm MIN Sn ON SMT TAILS
▽3	PUSH BUTTON	1	GF POLYAMIDE 6T/66, BLACK.
▽4	COIL SPRING	1	0.25 REF THK STAINLESS STEEL
▽5	PUSH ROD	1	0.4 REF THK STAINLESS STEEL
▽6	C-PIN	1	STEEL
▽7	LEVER	1	0.4 REF THK STAINLESS STEEL

DETAIL 1

DETAIL 1

T-T

SEE SHEET 1
EC NO: E2012-0058
DRWN: DSHEA 2011/08/30
CHKD: SMCGREY 2011/09/01
APPR: EFOLAN 2011/10/13

QUALITY SYMBOLS
▽=0
▽=0

GENERAL TOLERANCES (UNLESS SPECIFIED)

	mm	INCH
4 PLACES	± 0.15	± 0.006
3 PLACES	± 0.20	± 0.008
2 PLACES	± 0.25	± 0.010
1 PLACE	± 0.30	± 0.012

ANGULAR ± 2°

DRAFT WHERE APPLICABLE
MUST REMAIN WITHIN DIMENSIONS

DIMENSION STYLE
MM ONLY

SCALE
5:1

DESIGN UNITS
METRIC

THIRD ANGLE PROJECTION

DRAWN BY: RFORREY
DATE: 2006/11/27

CHECKED BY: FDUGGAN
DATE: 2006/11/27

APPROVED BY: EFOLAN
DATE: 2006/11/27

MATERIAL NO.
912283006

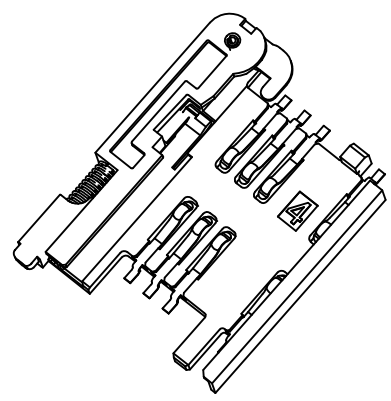
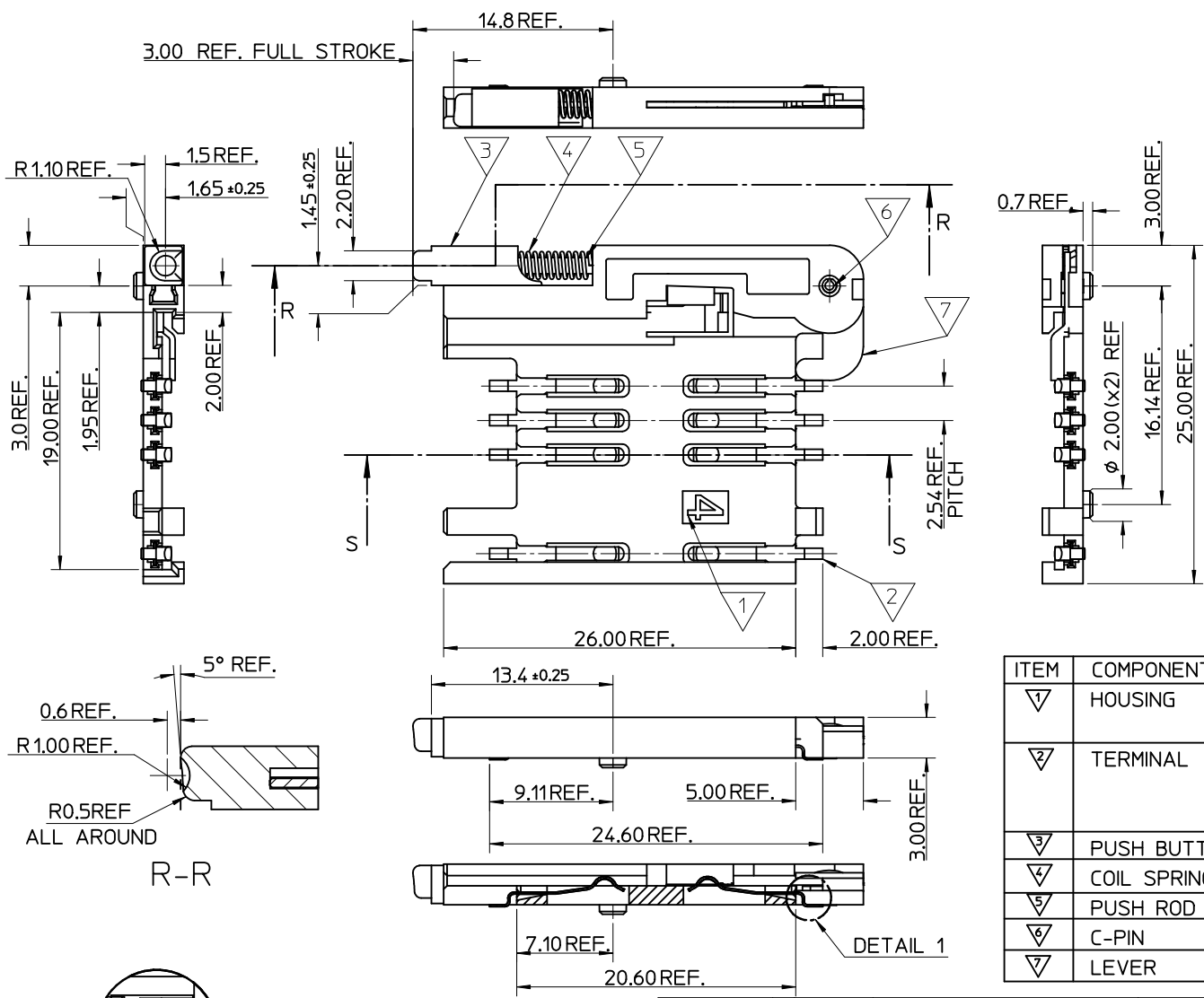
TITLE
SIM CONNECTOR ASSY

MOLEX INCORPORATED

DOCUMENT NO.
SD-91228-001

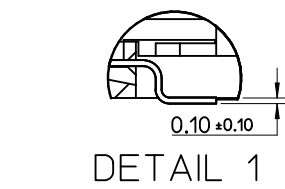
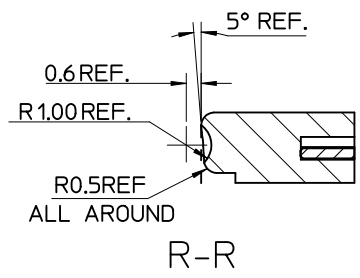
SHEET NO.
4 OF 6

THIS DRAWING CONTAINS INFORMATION THAT IS PROPRIETARY TO MOLEX INCORPORATED AND SHOULD NOT BE USED WITHOUT WRITTEN PERMISSION



- NOTES:
1. SEE PRODUCT SPECIFICATION PS-99020-0071.
 2. PACKAGING: TAPE & REEL, FOR DETAIL SEE SDA-91228-9001, SHEET 1.
 3. SEE SHEET 1 FOR ALL UNSPECIFIED NOTES AND DIMENSIONS.

ITEM	COMPONENT	QTY	MATERIAL
▽	HOUSING	1	LIQUID CRYSTAL POLYMER (LCP) 30% GLASS FILL, UL94 V-0, COLOUR: BLACK
▽	TERMINAL	8	0.15 PHOSPHOR BRONZE. 0.14mm MIN Au OVER Pd/Ni IN CONTACT AREA 2.54mm MIN Sn ON SMT TAILS
▽	PUSH BUTTON	1	GF POLYAMIDE 6T/66, BLUE
▽	COIL SPRING	1	0.25 REF THK STAINLESS STEEL
▽	PUSH ROD	1	0.4 REF THK STAINLESS STEEL
▽	C-PIN	1	STEEL
▽	LEVER	1	0.4 REF THK STAINLESS STEEL



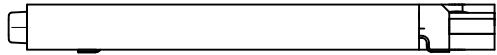
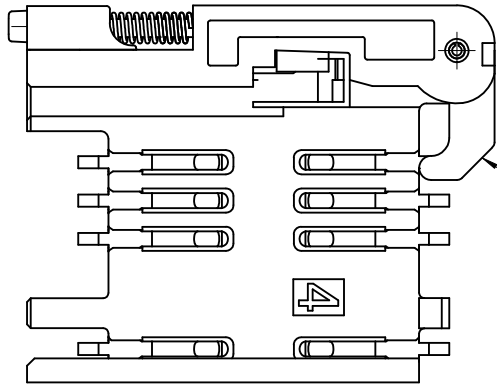
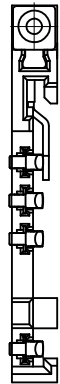
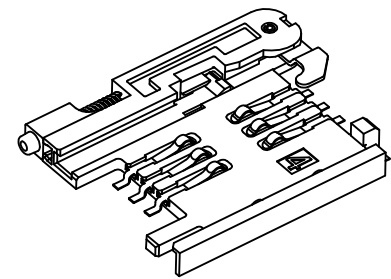
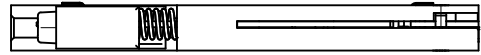
SEE SHEET 1
 EC NO: E2012-0058
 DR: WINDSHEA 2011/08/30
 CH: KD: SMC GREVY 2011/09/01
 APPR: EFOLAN 2011/10/13

REV	DESCRIPTION
1	QUALITY SYMBOLS
2	GENERAL TOLERANCES (UNLESS SPECIFIED)
3	DIMENSION STYLE MM ONLY
4	SCALE 5:1
5	DESIGN UNITS METRIC
6	THIRD ANGLE PROJECTION

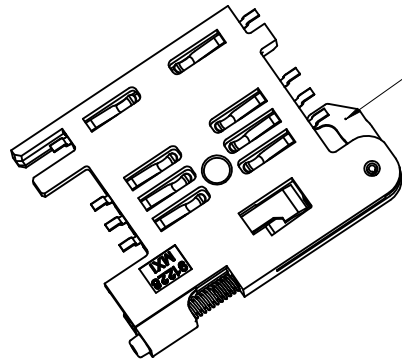
PLACES	mm	INCH
4 PLACES	± ---	± ---
3 PLACES	± ---	± ---
2 PLACES	± 0.05	± ---
1 PLACE	± 0.1	± ---
ANGULAR ± 2 °		

DRAWN BY	DATE	TITLE
RFORREY	2006/11/27	SIM CONNECTOR ASSY
CHECKED BY	DATE	
FUGGAN	2006/11/27	MOLEX INCORPORATED
APPROVED BY	DATE	
EFOLAN	2006/11/27	DOCUMENT NO.
MATERIAL NO. 912283007		SD-91228-001

SIZE	THIS DRAWING CONTAINS INFORMATION THAT IS PROPRIETARY TO MOLEX INCORPORATED AND SHOULD NOT BE USED WITHOUT WRITTEN PERMISSION
A3	



NOTE 6
BLACK COLOUR
THIS FACE

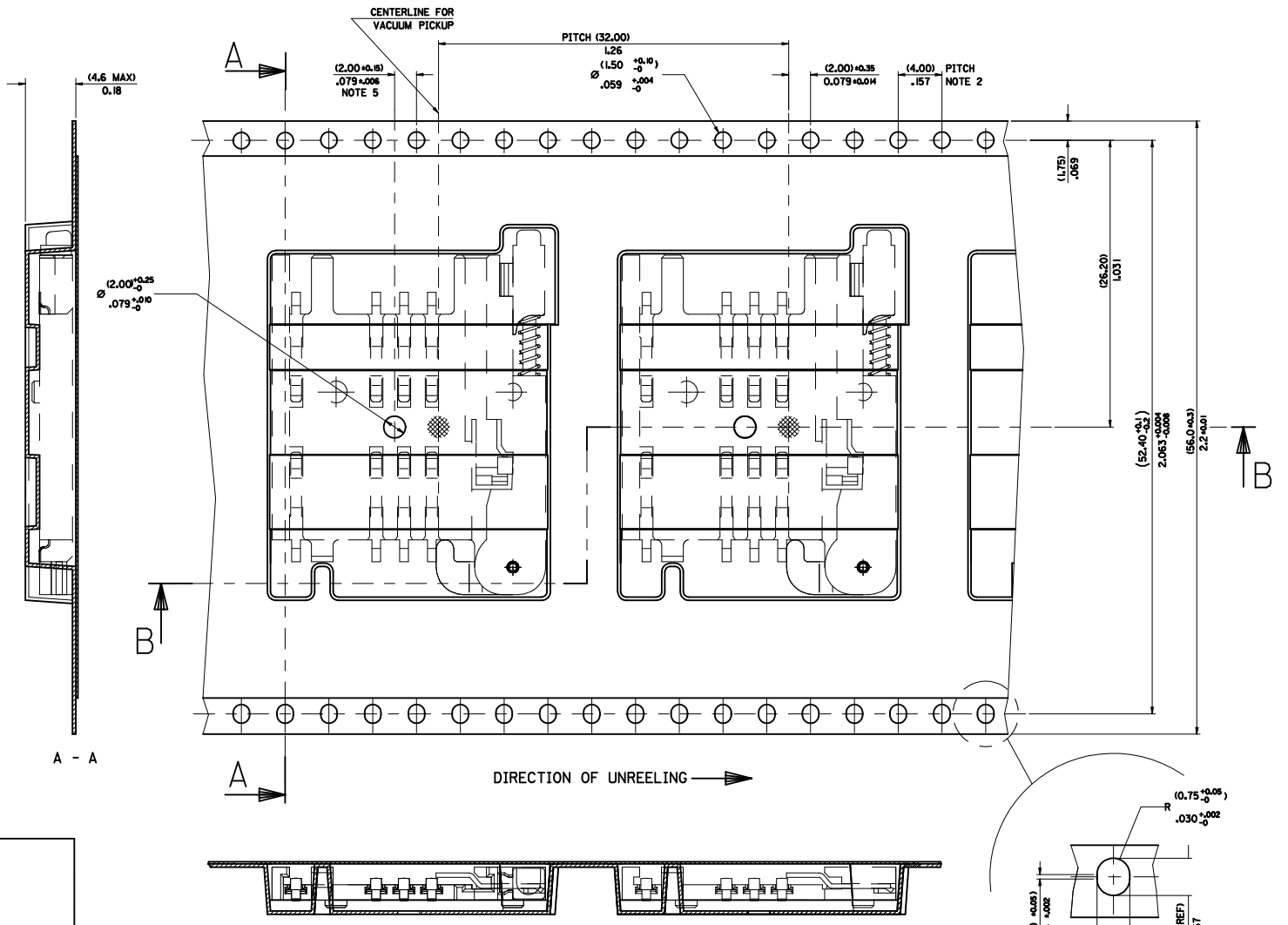
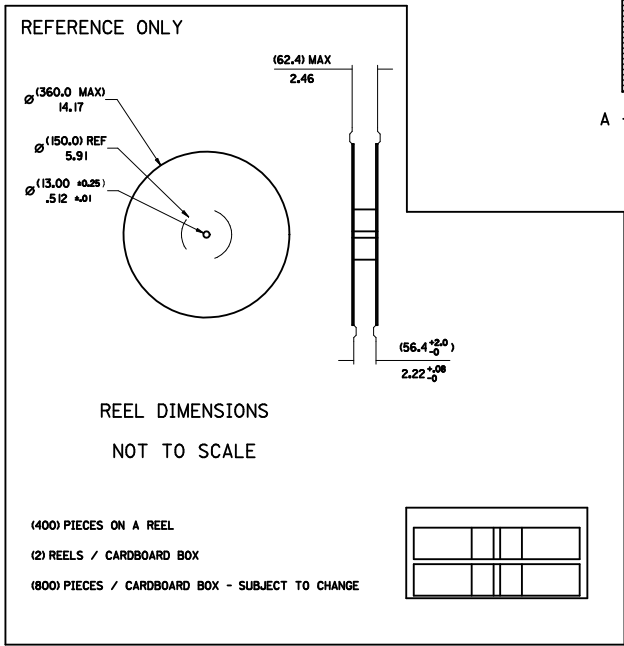
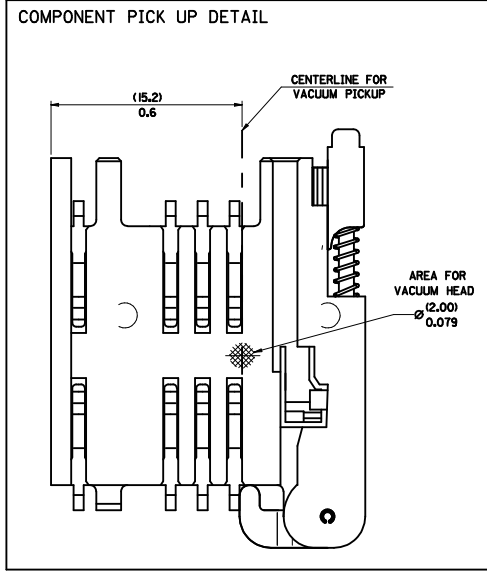


NOTES:

1. SEE PRODUCT SPECIFICATION PS-91228-016
2. PACKAGING: TAPE & REEL, FOR DETAIL SEE SDA-91228-9001, SHEET 1
3. FOR ALL UNSPECIFIED DIMENSIONS AND NOTES SEE SHEET 1.
4. 5mm EJECTOR LEVER
5. CARD HOLDER EJECTION DISTANCE: 5.0±0.3mm
6. LEVER FACE TO BE COLOURED BLACK WITH ALCOHOL BASED INK.

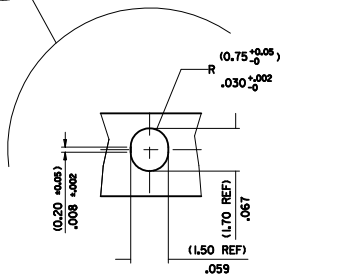
SEE SHEET 1 EC NO: E2012-0058 DRW:DSHEA 2011/08/30 CHKD:SMCGREVV 2011/09/01 APPR:EFOLAN 2011/10/13	DESCRIPTION SIM CONNECTOR ASSY	QUALITY SYMBOLS		GENERAL TOLERANCES (UNLESS SPECIFIED)		DIMENSION STYLE		SCALE	DESIGN UNITS	THIRD ANGLE PROJECTION		
		▽=0 ◻=0		mm	INCH	MM ONLY		3:1	METRIC			
		4 PLACES	± ---	± ---	DRAWN BY	DATE	TITLE					
		3 PLACES	± ---	± ---	RFORREY	2006/11/27	SIM CONNECTOR ASSY					
2 PLACES	± 0.05	± ---	CHECKED BY	DATE	MATERIAL NO. 912283016 DOCUMENT NO. SD-91228-001 SHEET NO. 6 OF 6							
1 PLACE	± 0.1	± ---	FDUGGAN	2006/11/27								
ANGULAR ± 2 °		APPROVED BY		DATE	MOLEX INCORPORATED							
DRAFT WHERE APPLICABLE MUST REMAIN WITHIN DIMENSIONS		EFOLAN		2006/11/27	THIS DRAWING CONTAINS INFORMATION THAT IS PROPRIETARY TO MOLEX INCORPORATED AND SHOULD NOT BE USED WITHOUT WRITTEN PERMISSION							

PART NO	DESCRIPTION	TYPE OF REEL
91228-0001 & 91228-3001	SIM CONNECTOR WITHOUT PEGS	CARDBOARD
91228-0002 & 91228-3002	SIM CONNECTOR WITH PEGS	CARDBOARD
91228-0012 & 91228-3012	SIM CONNECTOR WITH PEGS	CARDBOARD
91228-0007 & 91228-3007	SIM CONNECTOR WITH PEGS	CARDBOARD
91228-3019	SIM CONNECTOR WITHOUT PEGS	PLASTIC



- NOTES:
- 1) MATERIAL :
CARRIER TAPE : VOLUME CONDUCTIVE POLYSTYRENE, 0.40 REF THICK, BLACK
COVER TAPE : COLD SEAL POLYESTER, 0.08 REF THICK TRANSPARENT
 - 2) PITCH TOLERANCE OVER ANY 10 PITCHES + 0.2 MM
 - 3) REEL FORCE OF THE COVER TAPE IS 0.1 N TO 1.0 N
AT A MAXIMUM REEL SPEED OF 300 MM/MIN + 10%
 - 4) PACKAGING SPEC, PK-91228-002
 - 5) REFERENCE TO IEC 286-3 EXCEPT WHERE NOTED

ADD REEL OPTION ELEC NO: E2012-0058 DRAWN BY: DRWNSDHEA CHKD BY: SMC GREVY APPR'D BY: AN PPRELOAN 2011/08/31 2011/09/01 2011/10/13	QUALITY SYMBOLS $\nabla=0$ $\nabla=0$	GENERAL TOLERANCES (UNLESS SPECIFIED) <table border="1"> <thead> <tr> <th></th> <th>mm</th> <th>INCH</th> </tr> </thead> <tbody> <tr> <td>4 PLACES</td> <td>± .10</td> <td>± .004</td> </tr> <tr> <td>3 PLACES</td> <td>± .15</td> <td>± .005</td> </tr> <tr> <td>2 PLACES</td> <td>± 0.10</td> <td>± .004</td> </tr> <tr> <td>1 PLACE</td> <td>± 0.20</td> <td>± .008</td> </tr> </tbody> </table>		mm	INCH	4 PLACES	± .10	± .004	3 PLACES	± .15	± .005	2 PLACES	± 0.10	± .004	1 PLACE	± 0.20	± .008	DIMENSION STYLE MM/IN	SCALE 1:1	DESIGN UNITS METRIC	<input checked="" type="checkbox"/> THIRD ANGLE PROJECTION
				mm	INCH																
4 PLACES	± .10	± .004																			
3 PLACES	± .15	± .005																			
2 PLACES	± 0.10	± .004																			
1 PLACE	± 0.20	± .008																			
DRAFT WHERE APPLICABLE MUST REMAIN WITHIN DIMENSIONS	SEE CHART THIS DRAWING CONTAINS INFORMATION THAT IS PROPRIETARY TO MOLEX INCORPORATED AND SHOULD NOT BE USED WITHOUT WRITTEN PERMISSION	MATERIAL NO. SDA-91228-9001	DOCUMENT NO. SDA-91228-9001	SHEET NO. 1 OF 4																	



4	D
3	C
2	C
1	B



Компания «ЭлектроПласт» предлагает заключение долгосрочных отношений при поставках импортных электронных компонентов на взаимовыгодных условиях!

Наши преимущества:

- Оперативные поставки широкого спектра электронных компонентов отечественного и импортного производства напрямую от производителей и с крупнейших мировых складов;
- Поставка более 17-ти миллионов наименований электронных компонентов;
- Поставка сложных, дефицитных, либо снятых с производства позиций;
- Оперативные сроки поставки под заказ (от 5 рабочих дней);
- Экспресс доставка в любую точку России;
- Техническая поддержка проекта, помощь в подборе аналогов, поставка прототипов;
- Система менеджмента качества сертифицирована по Международному стандарту ISO 9001;
- Лицензия ФСБ на осуществление работ с использованием сведений, составляющих государственную тайну;
- Поставка специализированных компонентов (Xilinx, Altera, Analog Devices, Intersil, Interpoint, Microsemi, Aeroflex, Peregrine, Syfer, Eurofarad, Texas Instrument, Miteq, Cobham, E2V, MA-COM, Hittite, Mini-Circuits, General Dynamics и др.);

Помимо этого, одним из направлений компании «ЭлектроПласт» является направление «Источники питания». Мы предлагаем Вам помощь Конструкторского отдела:

- Подбор оптимального решения, техническое обоснование при выборе компонента;
- Подбор аналогов;
- Консультации по применению компонента;
- Поставка образцов и прототипов;
- Техническая поддержка проекта;
- Защита от снятия компонента с производства.



Как с нами связаться

Телефон: 8 (812) 309 58 32 (многоканальный)

Факс: 8 (812) 320-02-42

Электронная почта: org@eplast1.ru

Адрес: 198099, г. Санкт-Петербург, ул. Калинина, дом 2, корпус 4, литера А.