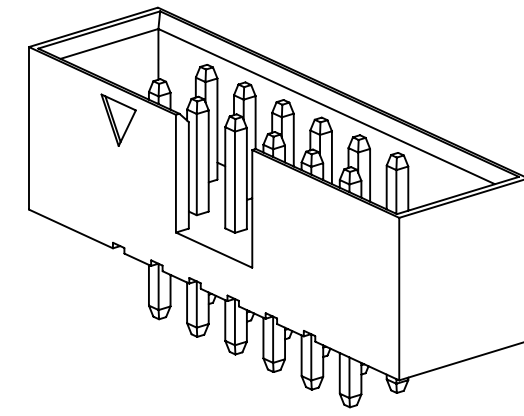
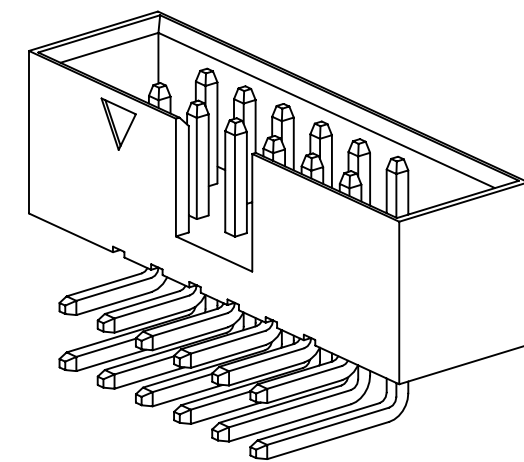


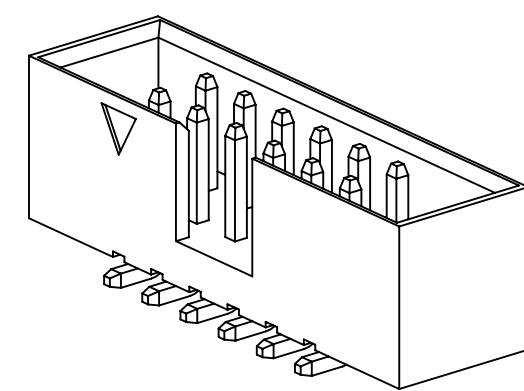
3M™ BOX HEADER, 957 SERIES
2MM X 2MM, STRAIGHT, RIGHT ANGLE AND SURFACE MOUNT, SOLDER TAIL



DUAL ROW
STRAIGHT
VERSION



DUAL ROW
RIGHT ANGLE
VERSION



DUAL ROW
SURFACE MOUNT
VERSION

2 PHYSICAL :

INSULATOR :
MATERIAL : HIGH TEMP THERMOPLASTIC
FLAMMABILITY : UL94V-0
COLOR : BLACK
CONTACT :
MATERIAL : COPPER ALLOY
PLATING :
UNDER PLATING : 50-100μ" [1.27-2.54μm] NICKEL-OVERALL
WIPING AREA : GOLD FLASH
SOLDER TAILS : 40-118μ" [1-3μm] MATTE TIN

2 ELECTRICAL :

CURRENT RATING : 2A
CONTACT RESISTANCE : ≤20 mΩ
INSULATION RESISTANCE : ≥1000 MΩ
WITHSTANDING VOLTAGE : 500 Vr.m.s, 1mA, 60s

2 MECHANICAL :

RETENTION FORCE : ≥ 4.5N PER PIN

2 ENVIRONMENTAL :

TEMPERATURE RATING : -40°C TO 125°C ¹
HUMIDITY : <93% AT 40°C
RESISTANCE TO SOLDERING HEAT : 260°C±5°C, 10s

- NOTES
1. REGULATORY INFORMATION:
ROHS COMPLIANT. SEE THE REGULATORY INFORMATION APPENDIX (RIA) IN THE "ROHS COMPLIANCE" SECTION OF WWW.3MCONNECTORS.COM FOR COMPLIANCE INFORMATION.
 2. IN THE EVENT OF CONFLICT BETWEEN THIS DATA AND THAT CONTAINED IN THE PRODUCT SPECIFICATION, THE PRODUCT SPECIFICATION TAKES PRECEDENT.
 3. N = THE NUMBER OF POSITIONS.

3M™ ELECTRONICS MATERIALS SOLUTIONS DIVISION
INTERCONNECT SOLUTIONS
<http://www.3m.com/interconnect>

3M IS A TRADEMARK OF 3M COMPANY.
FOR TECHNICAL, SALES OR ORDERING
INFORMATION CALL 800-225-5373

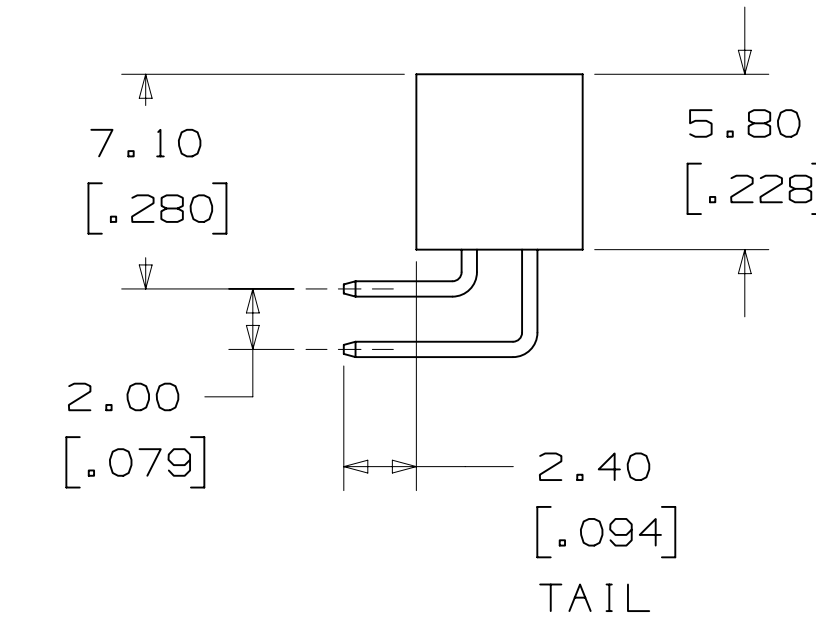
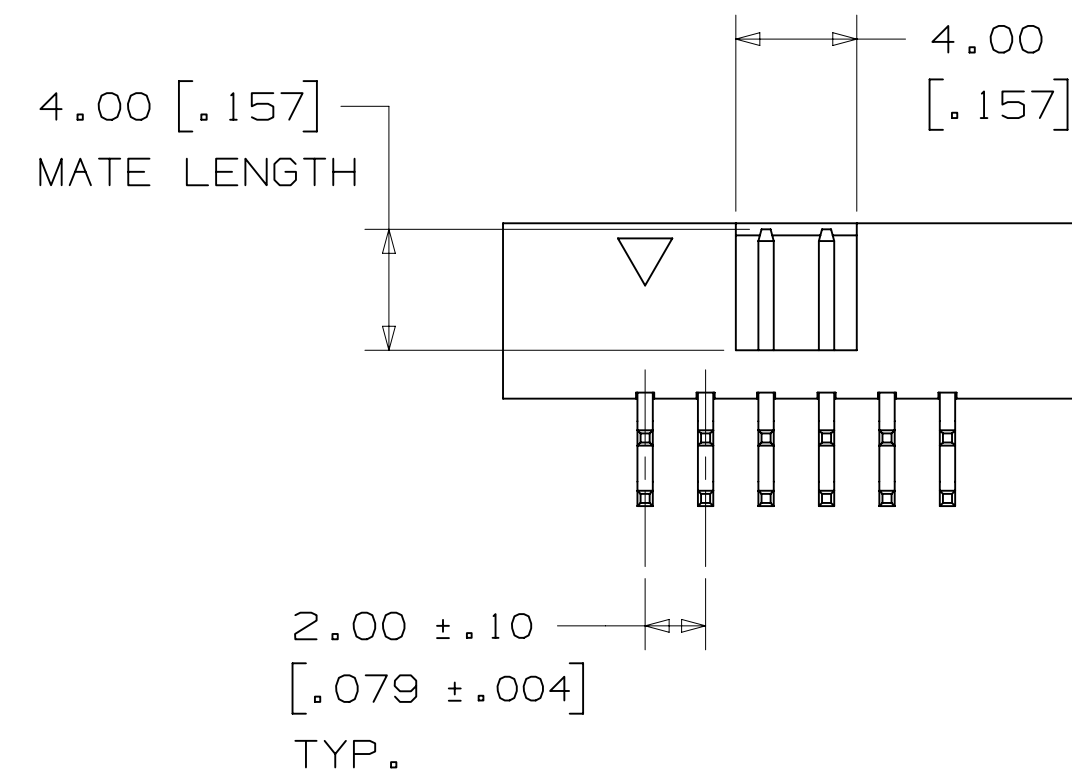
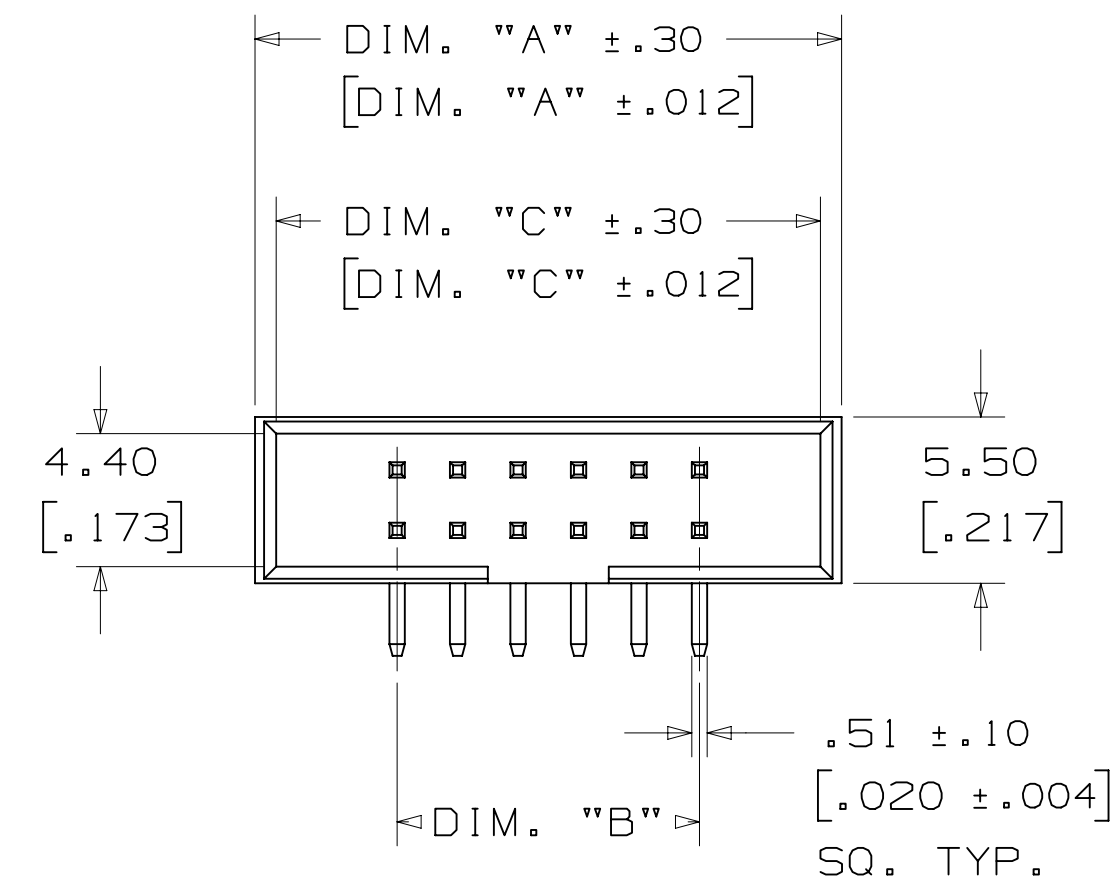
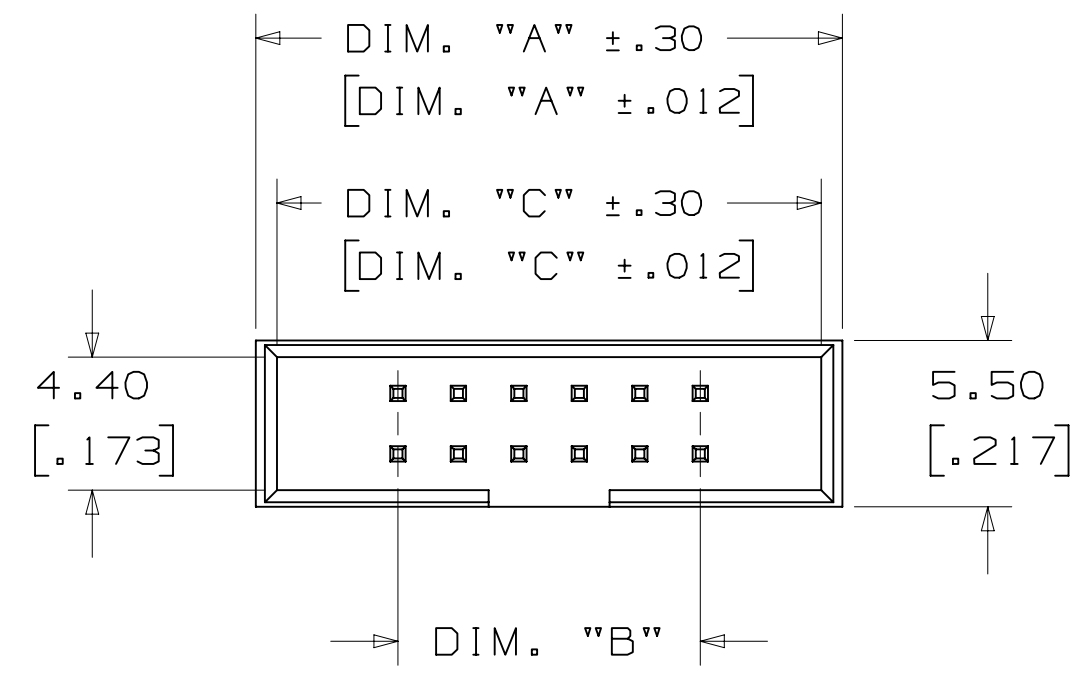
MM [INCH]		
TOLERANCE - UNLESS NOTED		
	X.	.XX
MM	±.5	±.20
[INCH]	±.02	±.008
[] = DIM. FOR REFERENCE ONLY		

DIMENSIONS: INCH [MM]
[MM] FOR REF. ONLY

DESIGN REFERENCE	NEXT ASSEMBLY	REV	ECO	ISSUE DATE AND DESCRIPTION	DRFT	CHKD
CODES		CASTIGLIONE	MAY 14, 2015	MFG		
DIVISION	DIVISION CODE	CHKD	DATE	APPRV	DATE	
	EMSD			T. SUNIGA	MAY 14, 2015	
DO NOT SCALE DRAWING	SCALE 4/1	TOLERANCES EXCEPT AS NOTED				
		INCHES		© 3M COPYRIGHT 2018 This document and the information it contains are 3M property and may not be reproduced or further distributed without 3M permission, or used or disclosed other than for 3M authorized purposes. All rights reserved.		
		THIRD ANGLE PROJECTION		TITLE BOX HEADER, 2MM, STRAIGHT, RIGHT ANGLE AND SMT		
		INTERPRET PER ASME Y14.5 - 2009		CAGE NUMBER D 78-5100-2656-6		
		MAX SURFACE ROUGHNESS		MODEL 9572		
		SURFACES		DET. YES NO SHT 1 OF 4		
		MARKED ONLY				

78-5100-2656-6 DRAWING NUMBER
C REVISION
A Standard Time4/5/2018UTC Off/ser
Imaged: C.1 Central

3M™ BOX HEADER, 957 SERIES
 2MM X 2MM, STRAIGHT, RIGHT ANGLE AND SURFACE MOUNT, SOLDER TAIL



RECOMMENDED PC BOARD LAYOUT
 (VIEWED FROM CONNECTOR SIDE)

ORDERING INFORMATION
 (STRAIGHT & RIGHT ANGLE ONLY)

9572XX-X002-AR

CONTACT QTY:
 06-64

MOUNTING STYLE:
 5 = RIGHT ANGLE
 6 = STRAIGHT

TABLE 1 mm	
DIM. "A"	2.00 X (N/2+7.40)
DIM. "B"	2.00 X (N/2-1)
DIM. "C"	2.00 X (N/2+6)
SEE NOTE 3	

REV	ECO	ISSUE DATE AND DESCRIPTION	DRFT	CHKD
C	78557	APR 05, 2018 UPDATE TABLE 1 TO REMOVE [IN] VALUES	SBO	FR
B	74628	JUL 06, 2017 WAS: -40C TO 105C	LDS	SC
A	72044	FEB 02, 2017 PRODUCTION RELEASE	JNC	TS

DESIGN REFERENCE	NEXT ASSEMBLY	REV	ECO	ISSUE DATE AND DESCRIPTION	DRFT	CHKD
		CHKD	CASTIGLIONE	MAY 14, 2015	DATE	DATE
		APPRV	T. SUNIGA	MAY 14, 2015	DATE	DATE

DIVISION	DIVISION CODE	EMSD

DO NOT SCALE DRAWING	SCALE	TOLERANCES EXCEPT AS NOTED
	4 1	

THIRD ANGLE PROJECTION	TOLERANCES EXCEPT AS NOTED

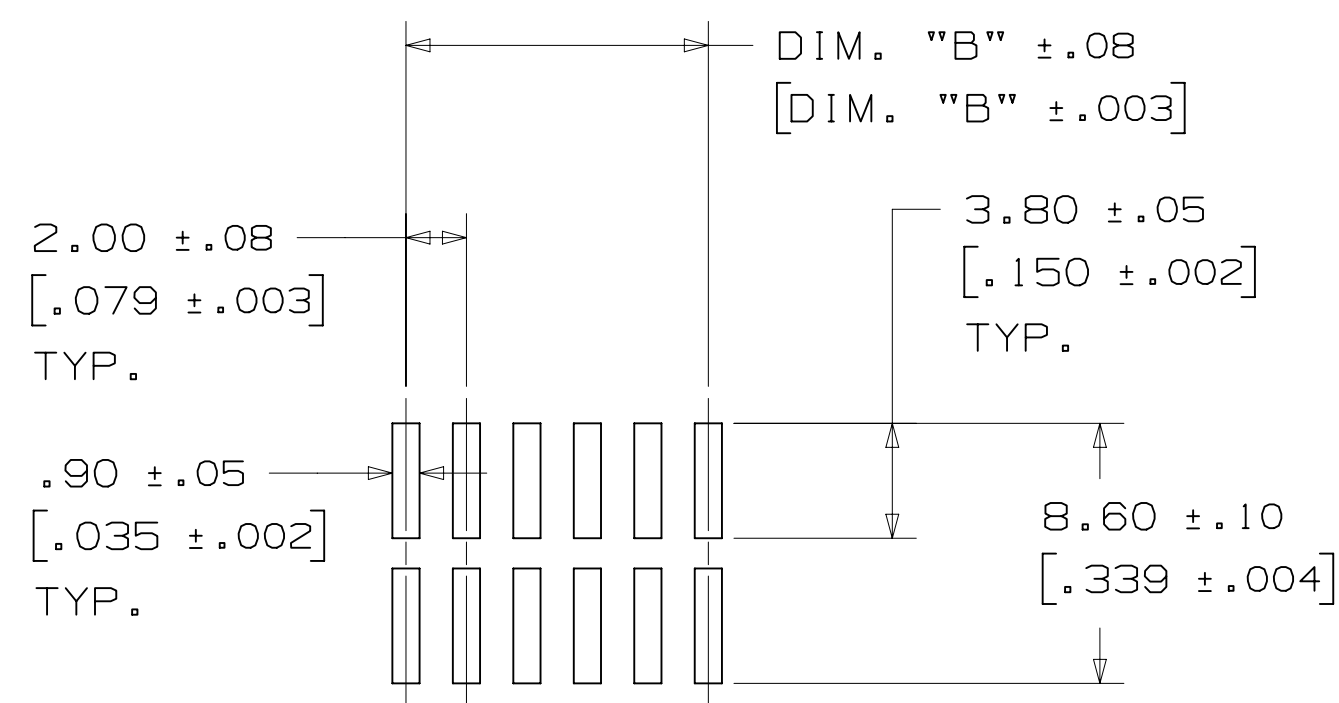
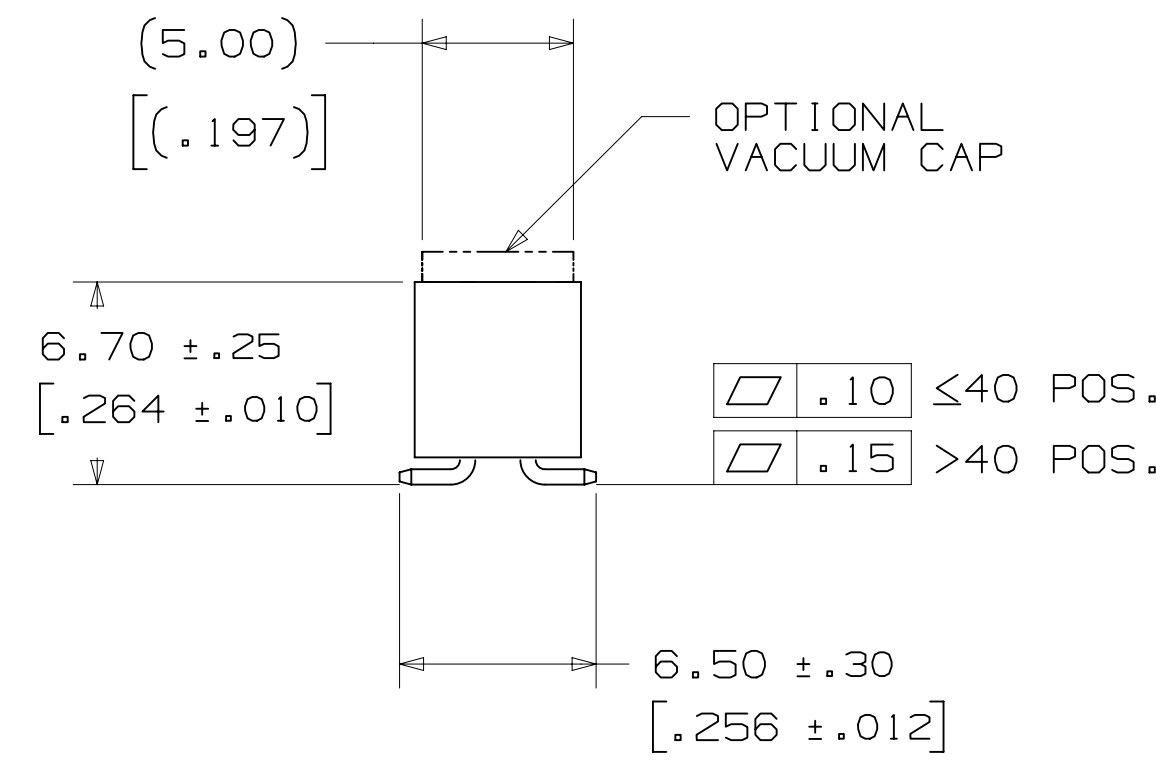
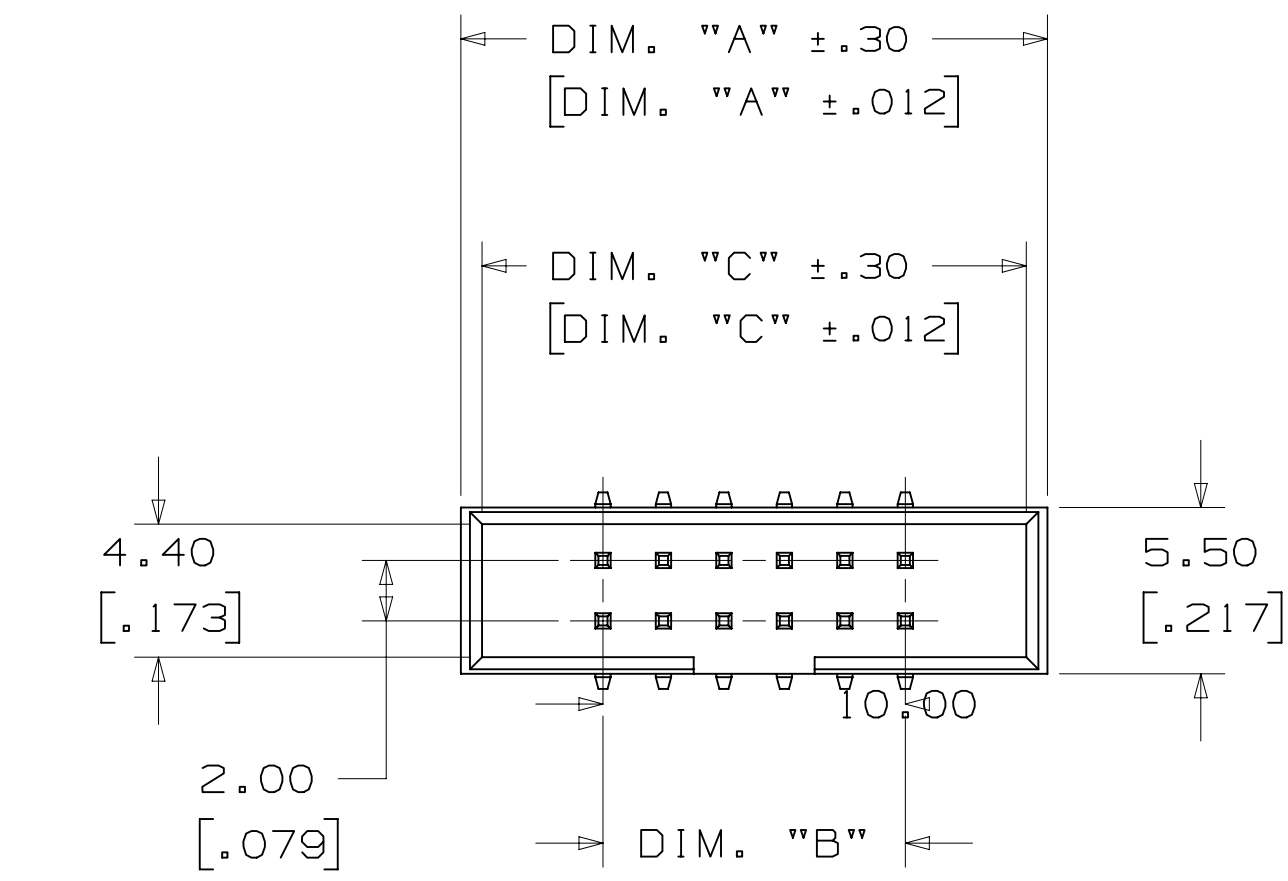
MAX SURFACE ROUGHNESS	INTERPRET PER ASME Y14.5 - 2009

CAGE NUMBER	SIZE	DRAWING NO.	REV.
D		78-5100-2656-6	C

MODEL	DET	YES	NO	SHT 2 OF 4
9572				

78-5100-2656-6 DRAWING NUMBER
 C REVISION
 C
 B
 A
 Standard Time4/5/2018UTC Off/ser

3M™ BOX HEADER, 957 SERIES
 2MM X 2MM, STRAIGHT, RIGHT ANGLE AND SURFACE MOUNT, SOLDER TAIL



RECOMMENDED PC BOARD LAYOUT
 (VIEWED FROM CONNECTOR SIDE)

ORDERING INFORMATION
 (SURFACE MOUNT ONLY)

9572XX-20X0-AR-XX

CONTACT QTY:
 06-64

PACKAGING:
 TP = TUBE WITHOUT PAD
 PT = TUBE WITH PAD
 PR = TAPE & REEL WITH PAD
 SEE TABLE 2

LOCATING POST:
 0 = NONE

TABLE 2 TAPE & REEL OPTIONS					
CONTACT QTY.	10-12	14-24	26-34	40-50	60-68
TAPE WIDTH [MM]	32	44	56	72	88

TABLE 1 mm	
DIM. "A"	2.00 X (N/2+7.40)
DIM. "B"	2.00 X (N/2-1)
DIM. "C"	2.00 X (N/2+6)
SEE NOTE 3	

DESIGN REFERENCE	NEXT ASSEMBLY	REV	ECO	ISSUE DATE AND DESCRIPTION	DRFT	CHKD
78-5100-2656-6				MAY 14, 2015		
DIVISION	DIVISION CODE	CHKD	DATE	APPRV	DATE	
	EMSD			T. SUNIGA	MAY 14, 2015	
DO NOT SCALE DRAWING	SCALE 4/1	TOLERANCES EXCEPT AS NOTED				
THIRD ANGLE PROJECTION		INCHES .00 ± .000 ± .0000 ±		MILLIMETERS 0 ± .00 ± .000 ± .000 ±		
MAX SURFACE ROUGHNESS		SURFACES .000 ± .000 ±		MODEL 9572 CAGE NUMBER D78-5100-2656-6 SIZE 1515 DRAWING NO. 78-5100-2656-6 REV. C DET. [] I/S: [] YES [X] NO SHT 3 OF 4		


78-5100-2656-6 DRAWING NUMBER
 C REVISION
 B
 A
 Standard Time4/5/2018UTC Off/ser

Technical Information: The technical information, recommendations and other statements contained in this document are based upon tests or experience that 3M believes are reliable, but the accuracy or completeness of such information is not guaranteed.

Product Use: Many factors beyond 3M's control and uniquely within user's knowledge and control can affect the use and performance of a 3M product in a particular application. Given the variety of factors that can affect the use and performance of a 3M product, user is solely responsible for evaluating the 3M product and determining whether it is fit for a particular purpose and suitable for user's method of application.

Warranty, Limited Remedy, and Disclaimer: Unless an additional warranty is specifically stated on the applicable 3M product packaging or product literature, 3M warrants that each 3M product meets the applicable 3M product specification at the time 3M ships the product. 3M MAKES NO OTHER WARRANTIES OR CONDITIONS, EXPRESS OR IMPLIED, INCLUDING, BUT NOT LIMITED TO, ANY IMPLIED WARRANTY OR CONDITION OF MERCHANTABILITY OR FITNESS FOR A PARTICULAR PURPOSE OR ANY IMPLIED WARRANTY OR CONDITION ARISING OUT OF A COURSE OF DEALING, CUSTOM OR USAGE OF TRADE. If the 3M product does not conform to this warranty, then the sole and exclusive remedy is, at 3M's option, replacement of the 3M product or refund of the purchase price.

Limitation of Liability: Except where prohibited by law, 3M will not be liable for any loss or damage arising from the 3M product, whether direct, indirect, special, incidental or consequential, regardless of the legal theory asserted, including warranty, contract, negligence or strict liability.

DESIGN REFERENCE	NEXT ASSEMBLY	REV	ECO	ISSUE DATE AND DESCRIPTION	DRFT	CHKD
NAME	DIVISION CODE	DRW	DATE	MFG	DATE	
CASTIGLIONE	EMSD	CASTIGLIONE	MAY 14, 2015	MIN 95144	MAY 14, 2015	
		CHKD	DATE	APPRV	DATE	
				T. SUNIGA	MAY 14, 2015	
DO NOT SCALE DRAWING	SCALE 1/1	TOLERANCES EXCEPT AS NOTED		 © 3M COPYRIGHT 2018 This document and the information it contains are 3M property and may not be reproduced or further distributed without 3M permission, or used or disclosed other than for 3M authorized purposes. All rights reserved.		
THIRD ANGLE PROJECTION	INTERPRET PER ASME Y14.5 - 2009	TOLERANCES EXCEPT AS NOTED		TITLE BOX HEADER, 2MM, STRAIGHT, RIGHT ANGLE AND SMT		
MAX SURFACE ROUGHNESS	MARKED ONLY	CAGE NUMBER	SIZE	DRAWING NO.	REV.	
		D		78-5100-2656-6	C	
		MODEL	9572	DET	YES <input type="checkbox"/> NO <input checked="" type="checkbox"/>	SHT 4 OF 4

78-5100-2656-6 DRAWING NUMBER
 C REVISION
 B
 A
 Standard Time 4/5/2018 UTC Off/ser



Компания «ЭлектроПласт» предлагает заключение долгосрочных отношений при поставках импортных электронных компонентов на взаимовыгодных условиях!

Наши преимущества:

- Оперативные поставки широкого спектра электронных компонентов отечественного и импортного производства напрямую от производителей и с крупнейших мировых складов;
- Поставка более 17-ти миллионов наименований электронных компонентов;
- Поставка сложных, дефицитных, либо снятых с производства позиций;
- Оперативные сроки поставки под заказ (от 5 рабочих дней);
- Экспресс доставка в любую точку России;
- Техническая поддержка проекта, помощь в подборе аналогов, поставка прототипов;
- Система менеджмента качества сертифицирована по Международному стандарту ISO 9001;
- Лицензия ФСБ на осуществление работ с использованием сведений, составляющих государственную тайну;
- Поставка специализированных компонентов (Xilinx, Altera, Analog Devices, Intersil, Interpoint, Microsemi, Aeroflex, Peregrine, Syfer, Eurofarad, Texas Instrument, Miteq, Cobham, E2V, MA-COM, Hittite, Mini-Circuits, General Dynamics и др.);

Помимо этого, одним из направлений компании «ЭлектроПласт» является направление «Источники питания». Мы предлагаем Вам помощь Конструкторского отдела:

- Подбор оптимального решения, техническое обоснование при выборе компонента;
- Подбор аналогов;
- Консультации по применению компонента;
- Поставка образцов и прототипов;
- Техническая поддержка проекта;
- Защита от снятия компонента с производства.



Как с нами связаться

Телефон: 8 (812) 309 58 32 (многоканальный)

Факс: 8 (812) 320-02-42

Электронная почта: org@eplast1.ru

Адрес: 198099, г. Санкт-Петербург, ул. Калинина, дом 2, корпус 4, литера А.