

3M™ BOX HEADER, 957 SERIES  
 2MM X 2MM, STRAIGHT, RIGHT ANGLE AND SURFACE MOUNT, SOLDER TAIL



DUAL ROW  
 STRAIGHT  
 VERSION



DUAL ROW  
 RIGHT ANGLE  
 VERSION



DUAL ROW  
 SURFACE MOUNT  
 VERSION

2 PHYSICAL :

INSULATOR :  
 MATERIAL : HIGH TEMP THERMOPLASTIC  
 FLAMMABILITY : UL94V-0  
 COLOR : BLACK  
 CONTACT :  
 MATERIAL : COPPER ALLOY  
 PLATING :  
 UNDER PLATING : 50-100μ" [ 1.27-2.54μm ] NICKEL-OVERALL  
 WIPING AREA : GOLD FLASH  
 SOLDER TAILS : 40-118μ" [ 1-3μm ] MATTE TIN

2 ELECTRICAL :

CURRENT RATING : 2A  
 CONTACT RESISTANCE : ≤20 mΩ  
 INSULATION RESISTANCE : ≥1000 MΩ  
 WITHSTANDING VOLTAGE : 500 Vr.m.s, 1mA, 60s

2 MECHANICAL :

RETENTION FORCE : ≥ 4.5N PER PIN

2 ENVIRONMENTAL :

TEMPERATURE RATING : -40°C TO 125°C <sup>1</sup>  
 HUMIDITY : <93% AT 40°C  
 RESISTANCE TO SOLDERING HEAT : 260°C±5°C, 10s

- NOTES
1. REGULATORY INFORMATION:  
 ROHS COMPLIANT. SEE THE REGULATORY INFORMATION APPENDIX (RIA) IN THE "ROHS COMPLIANCE" SECTION OF WWW.3MCONNECTORS.COM FOR COMPLIANCE INFORMATION.
  2. IN THE EVENT OF CONFLICT BETWEEN THIS DATA AND THAT CONTAINED IN THE PRODUCT SPECIFICATION, THE PRODUCT SPECIFICATION TAKES PRECEDENT.
  3. N = THE NUMBER OF POSITIONS.

3M™ ELECTRONICS MATERIALS SOLUTIONS DIVISION  
 INTERCONNECT SOLUTIONS  
<http://www.3m.com/interconnect>

3M IS A TRADEMARK OF 3M COMPANY.  
 FOR TECHNICAL, SALES OR ORDERING  
 INFORMATION CALL 800-225-5373

MM [ INCH ]		
TOLERANCE - UNLESS NOTED		
	X.	.XX
MM	±.5	±.20
[ INCH ]	±.02	±.008
[ ] = DIM. FOR REFERENCE ONLY		

DIMENSIONS: INCH [ MM ]  
 [ MM ] FOR REF. ONLY

DESIGN REFERENCE	NEXT ASSEMBLY	REV	ECO	ISSUE DATE AND DESCRIPTION	DRFT	CHKD
CODES						
DIVISION	DIVISION CODE	DRFT	DATE	MFG	DATE	DATE
	EMSD	CHKD	CASTIGLIONE	MAY 14, 2015		MAY 14, 2015
DO NOT SCALE DRAWING	SCALE 4/1	TOLERANCES EXCEPT AS NOTED				
THIRD ANGLE PROJECTION	INTERPRET PER ASME Y14.5 - 2009	INCHES	© 3M COPYRIGHT 2018 This document and the information it contains are 3M property and may not be reproduced or further distributed without 3M permission, or used or disclosed other than for 3M authorized purposes. All rights reserved.			
MAX SURFACE ROUGHNESS	DTX SURFACES	MILLIMETERS	TITLE <b>BOX HEADER, 2MM, STRAIGHT, RIGHT ANGLE AND SMT</b>			
MARKED ONLY	ANGLES	CAGE NUMBER	SIZE	DRAWING NO.	REV.	
		D		78-5100-2656-6	C	
		MODEL	9572	DET	YES	NO
				SHT	1	OF 4

78-5100-2656-6 DRAWING NUMBER  
 C REVISION  
 B  
 A  
 Image: C.1 Central Standard Time4/5/2018UTC OffSet

3M™ BOX HEADER, 957 SERIES  
 2MM X 2MM, STRAIGHT, RIGHT ANGLE AND SURFACE MOUNT, SOLDER TAIL



RECOMMENDED PC BOARD LAYOUT  
 (VIEWED FROM CONNECTOR SIDE)

ORDERING INFORMATION  
 (STRAIGHT & RIGHT ANGLE ONLY)

9572XX-X002-AR

CONTACT QTY:  
 06-64

MOUNTING STYLE:  
 5 = RIGHT ANGLE  
 6 = STRAIGHT

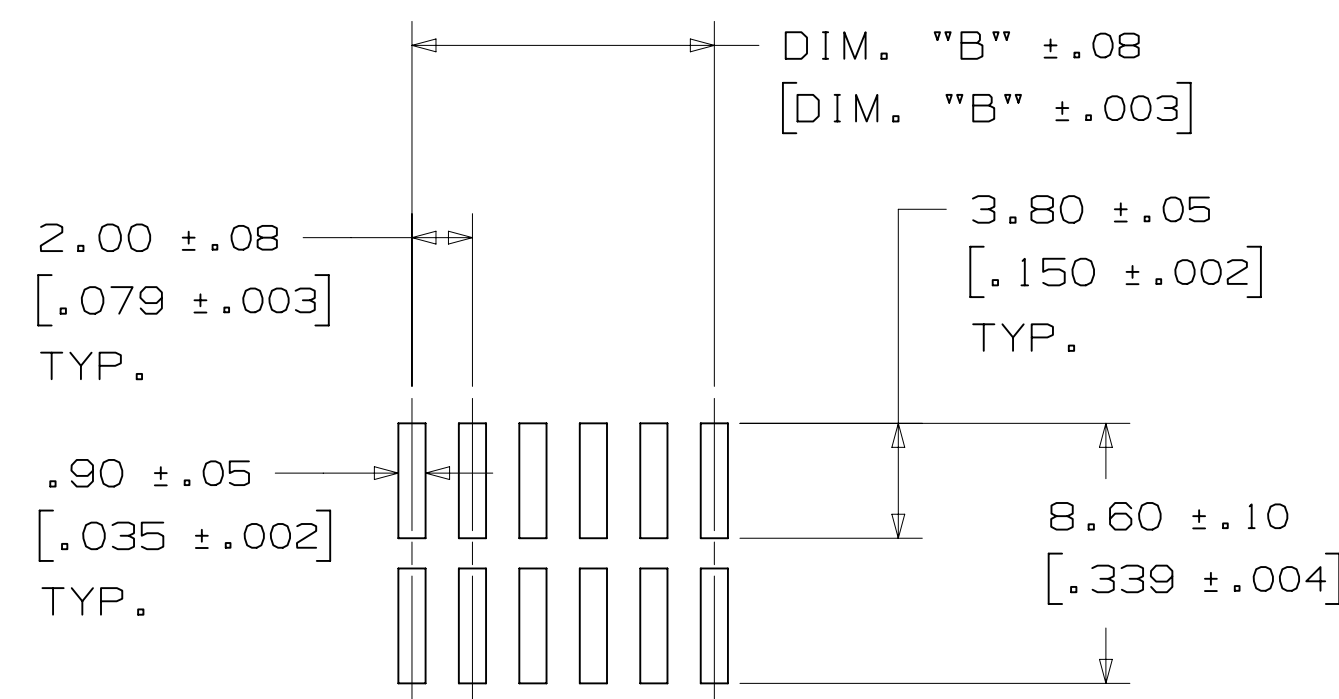
TABLE 1 mm	
DIM. "A"	2.00 X (N/2+7.40)
DIM. "B"	2.00 X (N/2-1)
DIM. "C"	2.00 X (N/2+6)
SEE NOTE 3	

REV	ECO	ISSUE DATE AND DESCRIPTION	DRFT	CHKD
C	78557	APR 05, 2018 UPDATE TABLE 1 TO REMOVE [IN] VALUES	SBO	FR
B	74628	JUL 06, 2017 WAS: -40C TO 105C	LDS	SC
A	72044	FEB 02, 2017 PRODUCTION RELEASE	JNC	TS

DESIGN REFERENCE	NEXT ASSEMBLY	REV	ECO	ISSUE DATE AND DESCRIPTION	DRFT	CHKD
		CHKD	CASTIGLIONE	MAY 14, 2015	DATE	DATE
		APPRV	T. SUNIGA	MAY 14, 2015	DATE	DATE

		© 3M COPYRIGHT 2018 This document and the information it contains are 3M property and may not be reproduced or further distributed without 3M permission, or used or disclosed other than for 3M authorized purposes. All rights reserved.
TITLE <b>BOX HEADER, 2MM,          STRAIGHT, RIGHT ANGLE          AND SMT</b>		
CAGE NUMBER	SIZE	DRAWING NO.
D		78-5100-2656-6
MODEL	REV.	
9572	C	

3M™ BOX HEADER, 957 SERIES  
 2MM X 2MM, STRAIGHT, RIGHT ANGLE AND SURFACE MOUNT, SOLDER TAIL



RECOMMENDED PC BOARD LAYOUT  
 (VIEWED FROM CONNECTOR SIDE)

ORDERING INFORMATION  
 (SURFACE MOUNT ONLY)

9572XX-20X0-AR-XX

CONTACT QTY:  
 06-64

LOCATING POST:  
 0 = NONE

PACKAGING:  
 TP = TUBE WITHOUT PAD  
 PT = TUBE WITH PAD  
 PR = TAPE & REEL WITH PAD  
 SEE TABLE 2

TABLE 2 TAPE & REEL OPTIONS					
CONTACT QTY.	10-12	14-24	26-34	40-50	60-68
TAPE WIDTH [MM]	32	44	56	72	88

TABLE 1 mm	
DIM. "A"	2.00 X (N/2+7.40)
DIM. "B"	2.00 X (N/2-1)
DIM. "C"	2.00 X (N/2+6)
SEE NOTE 3	

DESIGN REFERENCE	NEXT ASSEMBLY	REV	ECO	ISSUE DATE AND DESCRIPTION	DRFT	CHKD																						
		CASTIGLIONE	MAY 14, 2015	MFG																								
DIVISION	DIVISION CODE	CHKD	DATE	APPRV	DATE																							
	EMSD			T. SUNIGA	MAY 14, 2015																							
DO NOT SCALE DRAWING	SCALE 4/1	TOLERANCES EXCEPT AS NOTED																										
THIRD ANGLE PROJECTION	INTERPRET PER ASME Y14.5 - 2009	<table border="1"> <tr> <th colspan="2">INCHES</th> </tr> <tr> <td>.00</td> <td>±</td> </tr> <tr> <td>.000</td> <td>±</td> </tr> <tr> <td>.0000</td> <td>±</td> </tr> <tr> <td>0</td> <td>±</td> </tr> <tr> <th colspan="2">MILLIMETERS</th> </tr> <tr> <td>0</td> <td>±</td> </tr> <tr> <td>.00</td> <td>±</td> </tr> <tr> <td>.000</td> <td>±</td> </tr> <tr> <td>.000</td> <td>±</td> </tr> <tr> <td>0</td> <td>±</td> </tr> </table>		INCHES		.00	±	.000	±	.0000	±	0	±	MILLIMETERS		0	±	.00	±	.000	±	.000	±	0	±	TITLE <b>BOX HEADER, 2MM,            STRAIGHT, RIGHT ANGLE            AND SMT</b>		
INCHES																												
.00	±																											
.000	±																											
.0000	±																											
0	±																											
MILLIMETERS																												
0	±																											
.00	±																											
.000	±																											
.000	±																											
0	±																											
MAX SURFACE ROUGHNESS	UNFINISHED SURFACES	CAGE NUMBER	SIZE	DRAWING NO.	REV.																							
✓ MARKED ONLY	ANGLES	D 78-5100-2656-6		9572	C																							

78-5100-2656-6 DRAWING NUMBER  
 C REVISION  
 B  
 A  
 Standard Time4/5/2018UTC Off/ser

Technical Information: The technical information, recommendations and other statements contained in this document are based upon tests or experience that 3M believes are reliable, but the accuracy or completeness of such information is not guaranteed.

Product Use: Many factors beyond 3M's control and uniquely within user's knowledge and control can affect the use and performance of a 3M product in a particular application. Given the variety of factors that can affect the use and performance of a 3M product, user is solely responsible for evaluating the 3M product and determining whether it is fit for a particular purpose and suitable for user's method of application.

Warranty, Limited Remedy, and Disclaimer: Unless an additional warranty is specifically stated on the applicable 3M product packaging or product literature, 3M warrants that each 3M product meets the applicable 3M product specification at the time 3M ships the product. 3M MAKES NO OTHER WARRANTIES OR CONDITIONS, EXPRESS OR IMPLIED, INCLUDING, BUT NOT LIMITED TO, ANY IMPLIED WARRANTY OR CONDITION OF MERCHANTABILITY OR FITNESS FOR A PARTICULAR PURPOSE OR ANY IMPLIED WARRANTY OR CONDITION ARISING OUT OF A COURSE OF DEALING, CUSTOM OR USAGE OF TRADE. If the 3M product does not conform to this warranty, then the sole and exclusive remedy is, at 3M's option, replacement of the 3M product or refund of the purchase price.

Limitation of Liability: Except where prohibited by law, 3M will not be liable for any loss or damage arising from the 3M product, whether direct, indirect, special, incidental or consequential, regardless of the legal theory asserted, including warranty, contract, negligence or strict liability.

DESIGN REFERENCE	NEXT ASSEMBLY	REV	ECO	ISSUE DATE AND DESCRIPTION	DRFT	CHKD
NAME	DIVISION CODE	DRW	DATE	MFG	DATE	
CASTIGLIONE	EMSD		MAY 14, 2015			
CHKD		APPRV	DATE	DATE		
		T. SUNIGA		MAY 14, 2015		
DO NOT SCALE DRAWING	SCALE 1/1	TOLERANCES EXCEPT AS NOTED	 © 3M COPYRIGHT 2018 This document and the information it contains are 3M property and may not be reproduced or further distributed without 3M permission, or used or disclosed other than for 3M authorized purposes. All rights reserved.			
THIRD ANGLE PROJECTION	INTERPRET PER ASME Y14.5 - 2009	INCHES .00 ± .000 ± 0.000 ±	TITLE <b>BOX HEADER, 2MM, STRAIGHT, RIGHT ANGLE AND SMT</b>			
MAX SURFACE ROUGHNESS	MARKED ONLY	MILLIMETERS 0 ± .00 ± 0.00 ±	CAGE NUMBER	SIZE	DRAWING NO.	REV.
			D	78-5100-2656-6	C	
		ANGLES	MODEL	9572	DET	YES <input type="checkbox"/> NO <input checked="" type="checkbox"/> SHT 4 OF 4

78-5100-2656-6 DRAWING NUMBER  
 C REVISION  
 B  
 A  
 Standard Time4/5/2018UTC OffSet



Компания «ЭлектроПласт» предлагает заключение долгосрочных отношений при поставках импортных электронных компонентов на взаимовыгодных условиях!

Наши преимущества:

- Оперативные поставки широкого спектра электронных компонентов отечественного и импортного производства напрямую от производителей и с крупнейших мировых складов;
- Поставка более 17-ти миллионов наименований электронных компонентов;
- Поставка сложных, дефицитных, либо снятых с производства позиций;
- Оперативные сроки поставки под заказ (от 5 рабочих дней);
- Экспресс доставка в любую точку России;
- Техническая поддержка проекта, помощь в подборе аналогов, поставка прототипов;
- Система менеджмента качества сертифицирована по Международному стандарту ISO 9001;
- Лицензия ФСБ на осуществление работ с использованием сведений, составляющих государственную тайну;
- Поставка специализированных компонентов (Xilinx, Altera, Analog Devices, Intersil, Interpoint, Microsemi, Aeroflex, Peregrine, Syfer, Eurofarad, Texas Instrument, Miteq, Cobham, E2V, MA-COM, Hittite, Mini-Circuits, General Dynamics и др.);

Помимо этого, одним из направлений компании «ЭлектроПласт» является направление «Источники питания». Мы предлагаем Вам помощь Конструкторского отдела:

- Подбор оптимального решения, техническое обоснование при выборе компонента;
- Подбор аналогов;
- Консультации по применению компонента;
- Поставка образцов и прототипов;
- Техническая поддержка проекта;
- Защита от снятия компонента с производства.



#### Как с нами связаться

**Телефон:** 8 (812) 309 58 32 (многоканальный)

**Факс:** 8 (812) 320-02-42

**Электронная почта:** [org@eplast1.ru](mailto:org@eplast1.ru)

**Адрес:** 198099, г. Санкт-Петербург, ул. Калинина, дом 2, корпус 4, литера А.