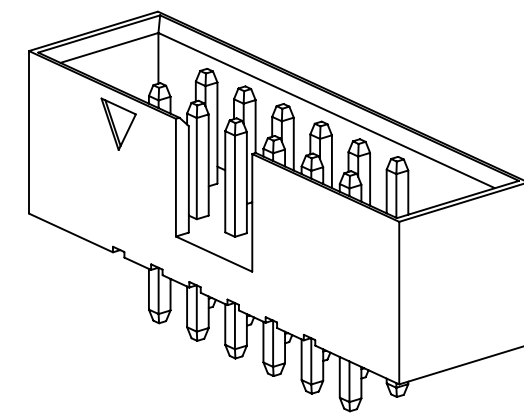
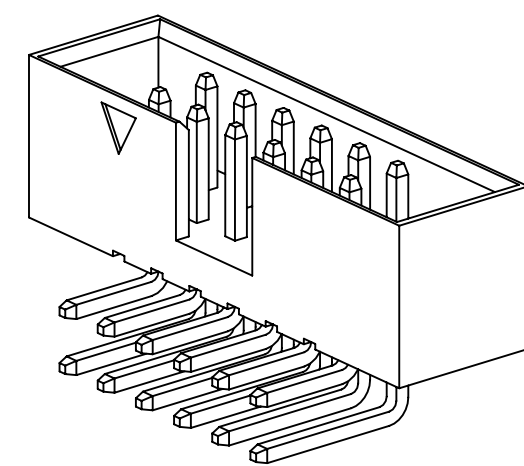


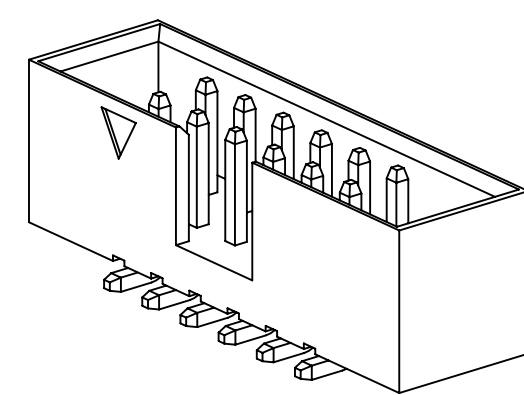
3M™ BOX HEADER, 957 SERIES  
2MM X 2MM, STRAIGHT, RIGHT ANGLE AND SURFACE MOUNT, SOLDER TAIL



DUAL ROW  
STRAIGHT  
VERSION



DUAL ROW  
RIGHT ANGLE  
VERSION



DUAL ROW  
SURFACE MOUNT  
VERSION

2 PHYSICAL :

INSULATOR :  
MATERIAL : HIGH TEMP THERMOPLASTIC  
FLAMMABILITY : UL94V-0  
COLOR : BLACK  
CONTACT :  
MATERIAL : COPPER ALLOY  
PLATING :  
UNDER PLATING : 50-100μ" [ 1.27-2.54μm ] NICKEL-OVERALL  
WIPING AREA : GOLD FLASH  
SOLDER TAILS : 40-118μ" [ 1-3μm ] MATTE TIN

2 ELECTRICAL :

CURRENT RATING : 2A  
CONTACT RESISTANCE : ≤20 mΩ  
INSULATION RESISTANCE : ≥1000 MΩ  
WITHSTANDING VOLTAGE : 500 Vr.m.s, 1mA, 60s

2 MECHANICAL :

RETENTION FORCE : ≥ 4.5N PER PIN

2 ENVIRONMENTAL :

TEMPERATURE RATING : -40°C TO 125°C <sup>1</sup>  
HUMIDITY : <93% AT 40°C  
RESISTANCE TO SOLDERING HEAT : 260°C±5°C, 10s

- NOTES
1. REGULATORY INFORMATION:  
ROHS COMPLIANT. SEE THE REGULATORY INFORMATION APPENDIX (RIA) IN THE "ROHS COMPLIANCE" SECTION OF WWW.3MCONNECTORS.COM FOR COMPLIANCE INFORMATION.
  2. IN THE EVENT OF CONFLICT BETWEEN THIS DATA AND THAT CONTAINED IN THE PRODUCT SPECIFICATION, THE PRODUCT SPECIFICATION TAKES PRECEDENT.
  3. N = THE NUMBER OF POSITIONS.

3M™ ELECTRONICS MATERIALS SOLUTIONS DIVISION  
INTERCONNECT SOLUTIONS  
<http://www.3m.com/interconnect>

3M IS A TRADEMARK OF 3M COMPANY.  
FOR TECHNICAL, SALES OR ORDERING  
INFORMATION CALL 800-225-5373

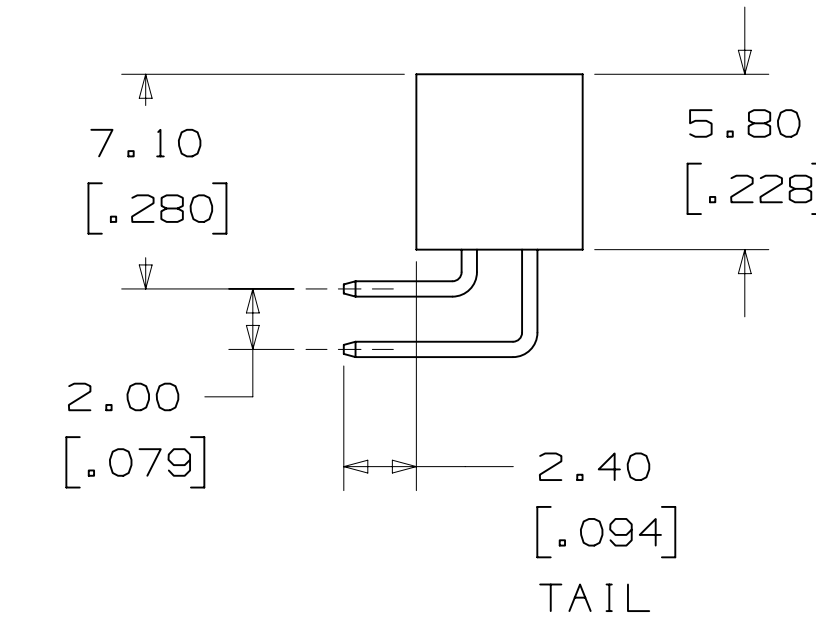
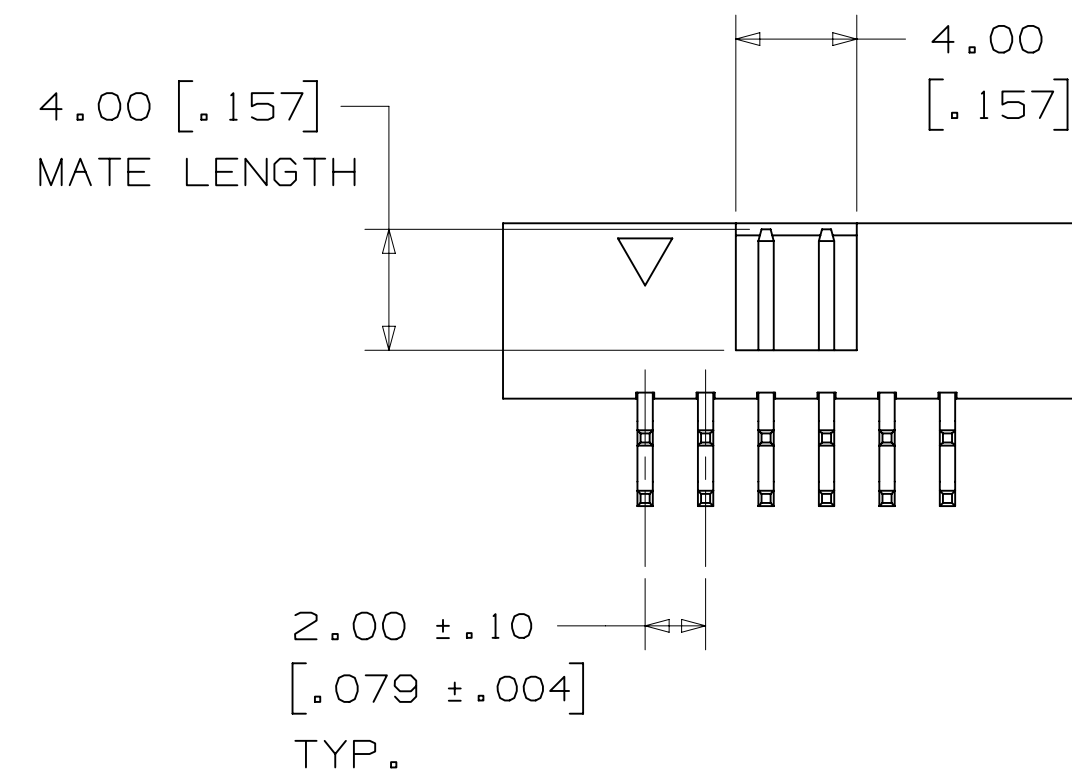
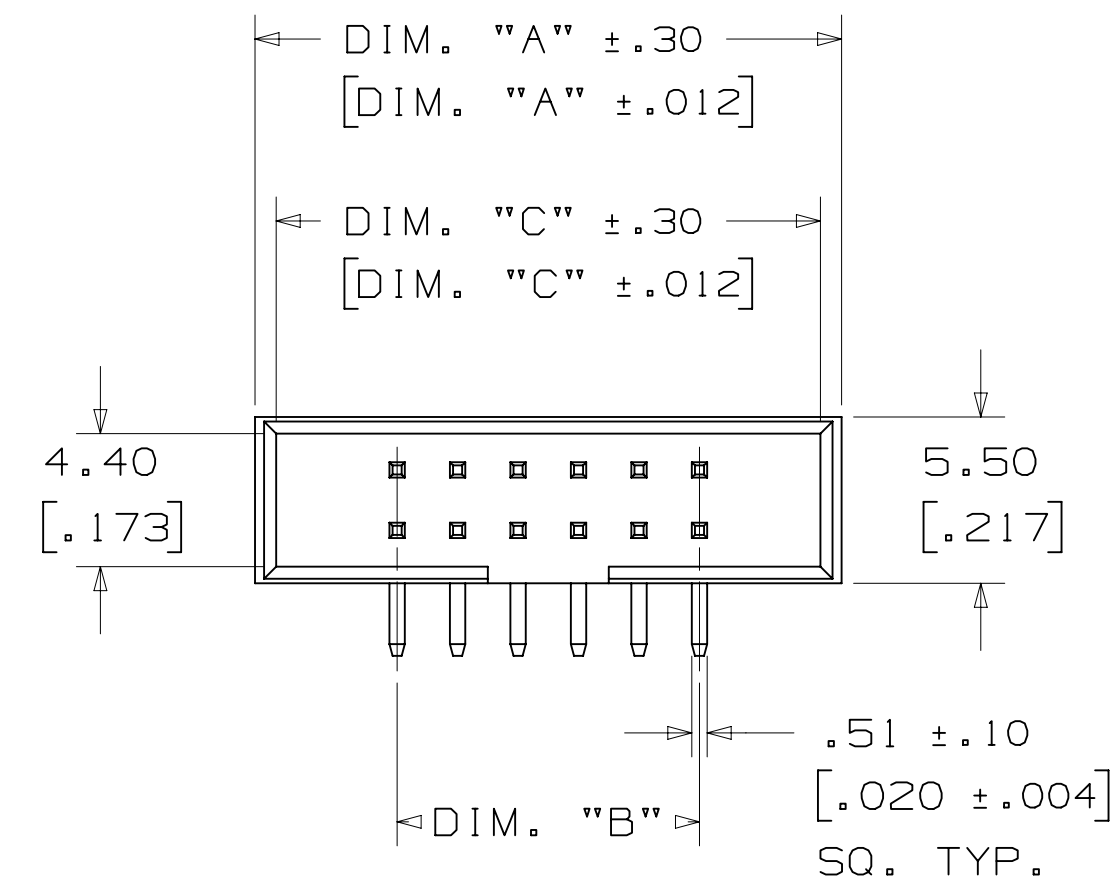
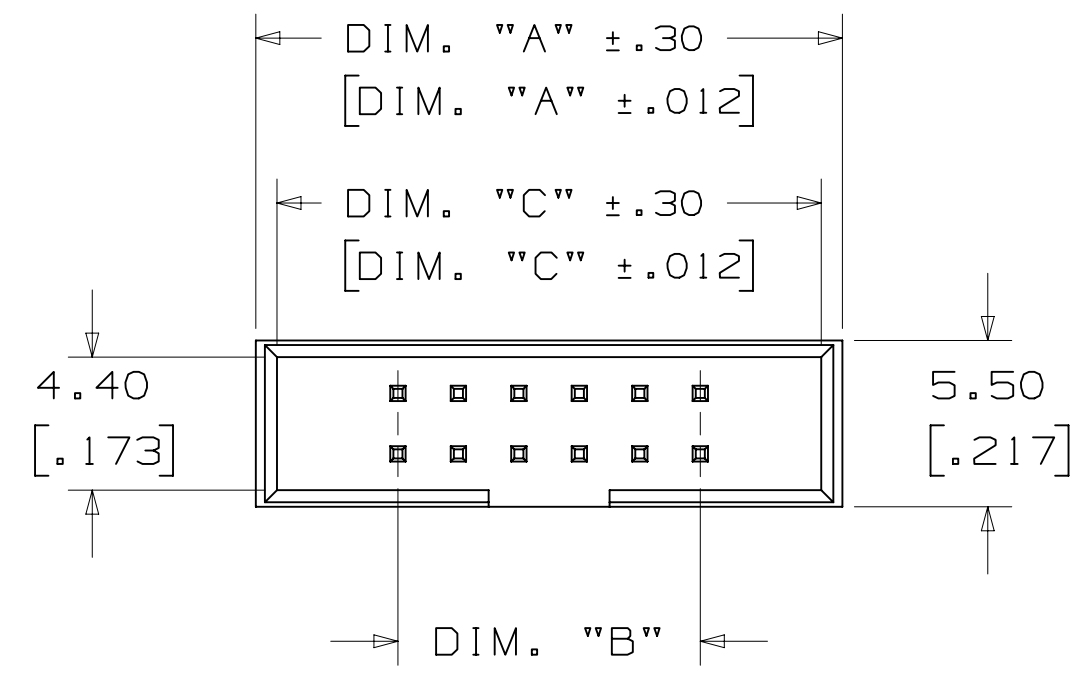
| MM [ INCH ]                   |      |       |
|-------------------------------|------|-------|
| TOLERANCE - UNLESS NOTED      |      |       |
|                               | X.   | .XX   |
| MM                            | ±.5  | ±.20  |
| [ INCH ]                      | ±.02 | ±.008 |
| [ ] = DIM. FOR REFERENCE ONLY |      |       |

DIMENSIONS: INCH [ MM ]  
[ MM ] FOR REF. ONLY

|                      |               |                            |              |                                                                                                                                                                                                                                               |              |      |
|----------------------|---------------|----------------------------|--------------|-----------------------------------------------------------------------------------------------------------------------------------------------------------------------------------------------------------------------------------------------|--------------|------|
| DESIGN REFERENCE     | NEXT ASSEMBLY | REV                        | ECO          | ISSUE DATE AND DESCRIPTION                                                                                                                                                                                                                    | DRFT         | CHKD |
| CODES                |               | CASTIGLIONE                | MAY 14, 2015 | MFG                                                                                                                                                                                                                                           |              |      |
| DIVISION             | DIVISION CODE | CHKD                       | DATE         | APPRV                                                                                                                                                                                                                                         | DATE         |      |
|                      | EMSD          |                            |              | T. SUNIGA                                                                                                                                                                                                                                     | MAY 14, 2015 |      |
| DO NOT SCALE DRAWING | SCALE 4/1     | TOLERANCES EXCEPT AS NOTED |              |                                                                                                                                                                                                                                               |              |      |
|                      |               | INCHES                     |              | © 3M COPYRIGHT 2018<br>This document and the information it contains are 3M property and may not be reproduced or further distributed without 3M permission, or used or disclosed other than for 3M authorized purposes. All rights reserved. |              |      |
|                      |               | THIRD ANGLE PROJECTION     |              | TITLE<br>BOX HEADER, 2MM,<br>STRAIGHT, RIGHT ANGLE<br>AND SMT                                                                                                                                                                                 |              |      |
|                      |               | MAX SURFACE ROUGHNESS      |              | CAGE NUMBER<br>D 78-5100-2656-6                                                                                                                                                                                                               |              |      |
|                      |               | SURFACES                   |              | DRAWING NO.<br>9572                                                                                                                                                                                                                           |              |      |
|                      |               | MARKED ONLY                |              | REV.<br>C                                                                                                                                                                                                                                     |              |      |
|                      |               | ANGLES                     |              | MODEL<br>9572                                                                                                                                                                                                                                 |              |      |

78-5100-2656-6  
 DRAWING NUMBER  
 C  
 REVISION  
 B  
 A  
 Image: C.1 Central Standard Time4/5/2018UTC OffSet

3M™ BOX HEADER, 957 SERIES  
 2MM X 2MM, STRAIGHT, RIGHT ANGLE AND SURFACE MOUNT, SOLDER TAIL



RECOMMENDED PC BOARD LAYOUT  
 (VIEWED FROM CONNECTOR SIDE)

ORDERING INFORMATION  
 (STRAIGHT & RIGHT ANGLE ONLY)

9572XX-X002-AR

CONTACT QTY:  
 06-64

MOUNTING STYLE:  
 5 = RIGHT ANGLE  
 6 = STRAIGHT

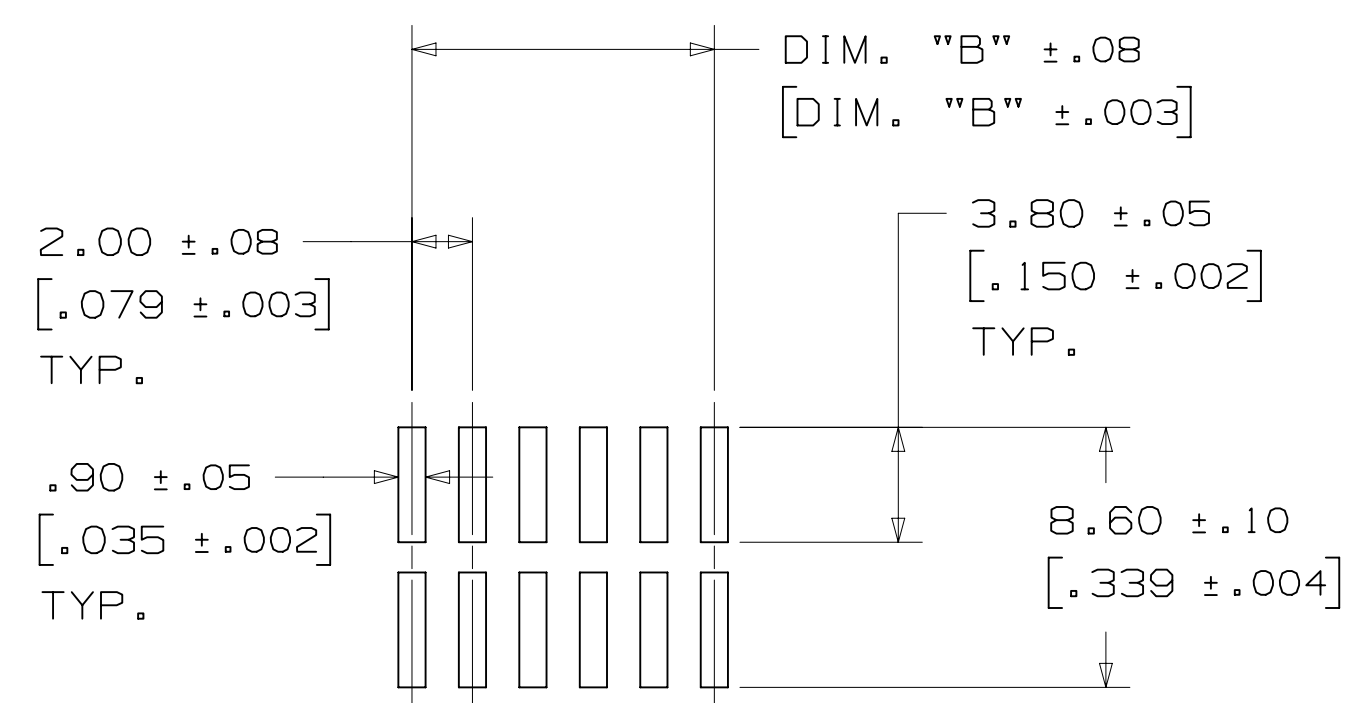
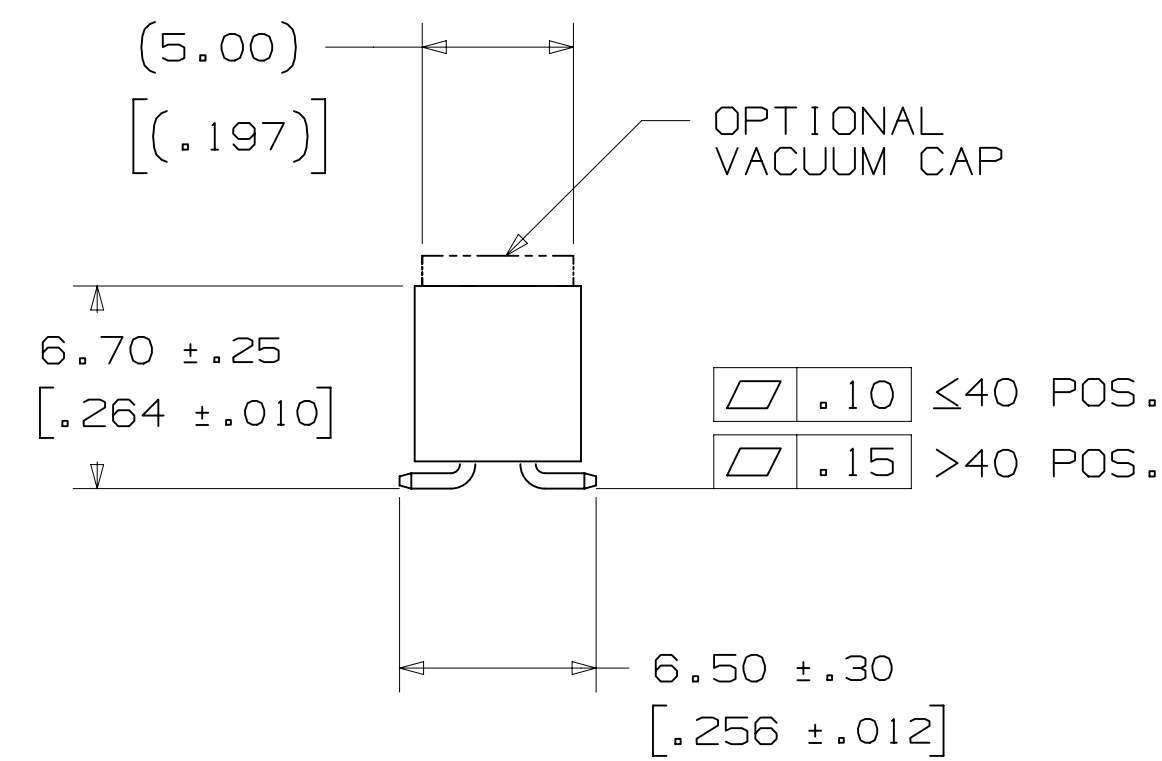
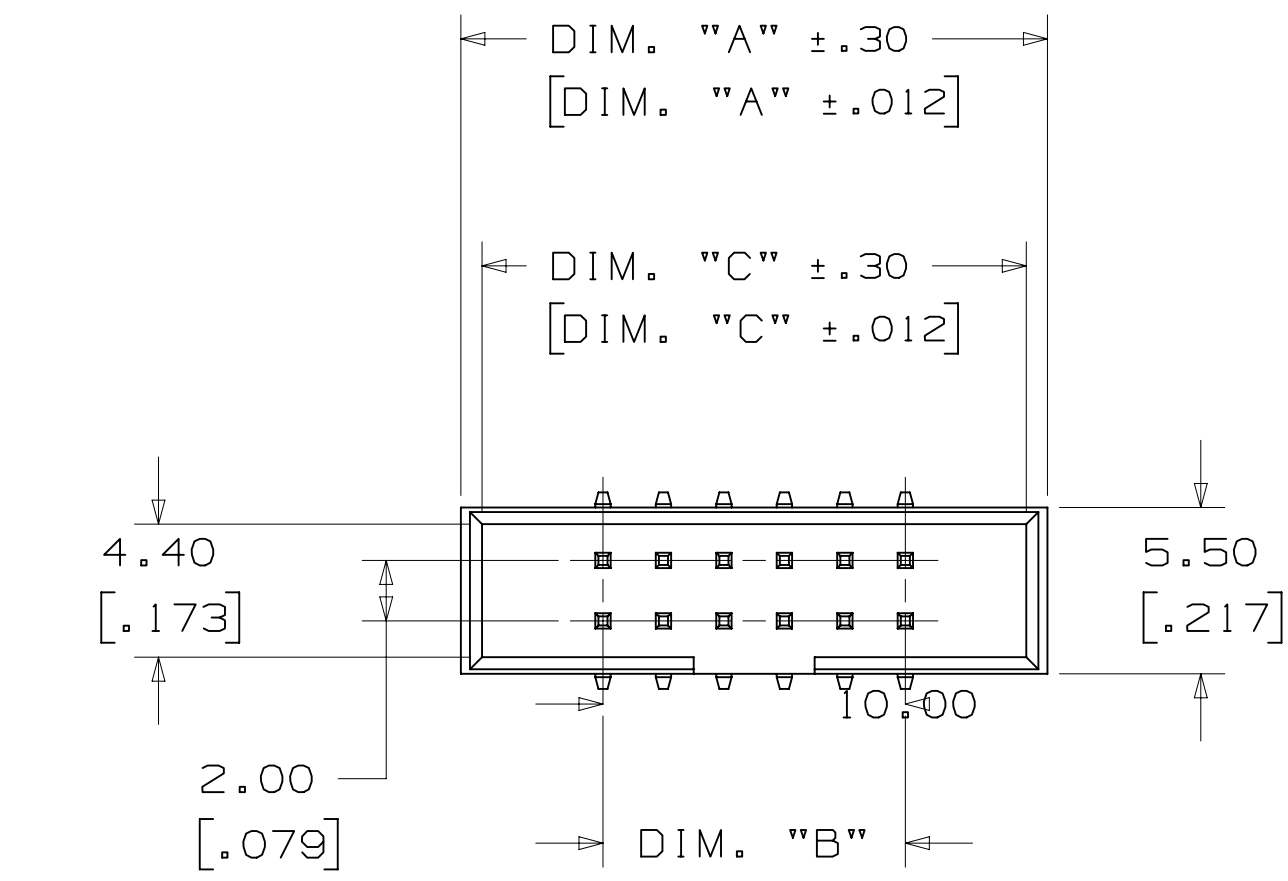
| TABLE 1 mm |                   |
|------------|-------------------|
| DIM. "A"   | 2.00 X (N/2+7.40) |
| DIM. "B"   | 2.00 X (N/2-1)    |
| DIM. "C"   | 2.00 X (N/2+6)    |
| SEE NOTE 3 |                   |

| REV | ECO   | ISSUE DATE AND DESCRIPTION                           | DRFT | CHKD |
|-----|-------|------------------------------------------------------|------|------|
| C   | 78557 | APR 05, 2018<br>UPDATE TABLE 1 TO REMOVE [IN] VALUES | SBO  | FR   |
| B   | 74628 | JUL 06, 2017<br>WAS: -40C TO 105C                    | LDS  | SC   |
| A   | 72044 | FEB 02, 2017<br>PRODUCTION RELEASE                   | JNC  | TS   |

|                        |                                 |                                                                                                                                                                                                                                               |                                      |                            |              |                        |
|------------------------|---------------------------------|-----------------------------------------------------------------------------------------------------------------------------------------------------------------------------------------------------------------------------------------------|--------------------------------------|----------------------------|--------------|------------------------|
| DESIGN REFERENCE       | NEXT ASSEMBLY                   | REV                                                                                                                                                                                                                                           | ECO                                  | ISSUE DATE AND DESCRIPTION | DRFT         | CHKD                   |
|                        |                                 | CHKD                                                                                                                                                                                                                                          | DATE                                 | DATE                       | DATE         | DATE                   |
|                        |                                 | CASTIGLIONE                                                                                                                                                                                                                                   | MAY 14, 2015                         | MFG                        |              |                        |
|                        |                                 |                                                                                                                                                                                                                                               |                                      | T. SUNIGA                  | MAY 14, 2015 |                        |
| DIVISION               | DIVISION CODE                   | © 3M COPYRIGHT 2018<br>This document and the information it contains are 3M property and may not be reproduced or further distributed without 3M permission, or used or disclosed other than for 3M authorized purposes. All rights reserved. |                                      |                            |              |                        |
| DO NOT SCALE DRAWING   | SCALE 4/1                       | TOLERANCES EXCEPT AS NOTED                                                                                                                                                                                                                    | INCHES<br>.00 ±<br>.000 ±<br>.0000 ± |                            |              |                        |
| THIRD ANGLE PROJECTION | INTERPRET PER ASME Y14.5 - 2009 | MILLIMETERS                                                                                                                                                                                                                                   | 0 ±<br>.00 ±<br>.000 ±<br>.000 ±     |                            |              |                        |
| MAX SURFACE ROUGHNESS  | DTX SURFACES                    | MARKED ONLY                                                                                                                                                                                                                                   | CAGE NUMBER                          | SIZE                       | DRAWING NO.  | REV.                   |
|                        |                                 |                                                                                                                                                                                                                                               | D                                    | 78-5100-2656-6             | C            |                        |
|                        |                                 |                                                                                                                                                                                                                                               | MODEL                                | 9572                       | DET          | ISTS YES NO SHT 2 OF 4 |

78-5100-2656-6 DRAWING NUMBER  
 C REVISION  
 C  
 A  
 B  
 C  
 D  
 Imaged: C.1 Central Standard Time 4/5/2018 UTC Off/ser

3M™ BOX HEADER, 957 SERIES  
 2MM X 2MM, STRAIGHT, RIGHT ANGLE AND SURFACE MOUNT, SOLDER TAIL



RECOMMENDED PC BOARD LAYOUT  
 (VIEWED FROM CONNECTOR SIDE)

ORDERING INFORMATION  
 (SURFACE MOUNT ONLY)

9572XX-20X0-AR-XX

CONTACT QTY:  
 06-64

PACKAGING:  
 TP = TUBE WITHOUT PAD  
 PT = TUBE WITH PAD  
 PR = TAPE & REEL WITH PAD  
 SEE TABLE 2

LOCATING POST:  
 0 = NONE

| TABLE 2<br>TAPE & REEL OPTIONS |       |       |       |       |       |
|--------------------------------|-------|-------|-------|-------|-------|
| CONTACT QTY.                   | 10-12 | 14-24 | 26-34 | 40-50 | 60-68 |
| TAPE WIDTH [MM]                | 32    | 44    | 56    | 72    | 88    |

| TABLE 1 mm |                   |
|------------|-------------------|
| DIM. "A"   | 2.00 X (N/2+7.40) |
| DIM. "B"   | 2.00 X (N/2-1)    |
| DIM. "C"   | 2.00 X (N/2+6)    |
| SEE NOTE 3 |                   |

|                        |                                 |                                                                                                                       |      |                            |      |      |
|------------------------|---------------------------------|-----------------------------------------------------------------------------------------------------------------------|------|----------------------------|------|------|
| DESIGN REFERENCE       | NEXT ASSEMBLY                   | REV                                                                                                                   | ECO  | ISSUE DATE AND DESCRIPTION | DRFT | CHKD |
|                        |                                 | CHKD                                                                                                                  | DATE | DATE                       | DATE | DATE |
|                        |                                 | CHKD                                                                                                                  | DATE | DATE                       | DATE | DATE |
| DIVISION               | DIVISION CODE                   |                                                                                                                       |      |                            |      |      |
| DO NOT SCALE DRAWING   | SCALE 4/1                       | TOLERANCES EXCEPT AS NOTED<br>INCHES<br>.00 ±<br>.000 ±<br>.0000 ±<br>MILLIMETERS<br>0 ±<br>.00 ±<br>.000 ±<br>.000 ± |      |                            |      |      |
| THIRD ANGLE PROJECTION | INTERPRET PER ASME Y14.5 - 2009 | TITLE<br><b>BOX HEADER, 2MM,<br/>         STRAIGHT, RIGHT ANGLE<br/>         AND SMT</b>                              |      |                            |      |      |
| MAX SURFACE ROUGHNESS  | MARKED SURFACES                 | CAGE NUMBER                                                                                                           | SIZE | DRAWING NO.                | REV. |      |
| ✓ MARKED ONLY          | ANGLES                          | <b>D</b> 78-5100-2656-6                                                                                               |      | 9572                       | C    |      |


78-5100-2656-6  
 DRAWING NUMBER  
 C  
 REVISION  
 B  
 A  
 Standard Time4/5/2018UTC Off/ser

Technical Information: The technical information, recommendations and other statements contained in this document are based upon tests or experience that 3M believes are reliable, but the accuracy or completeness of such information is not guaranteed.

Product Use: Many factors beyond 3M's control and uniquely within user's knowledge and control can affect the use and performance of a 3M product in a particular application. Given the variety of factors that can affect the use and performance of a 3M product, user is solely responsible for evaluating the 3M product and determining whether it is fit for a particular purpose and suitable for user's method of application.

Warranty, Limited Remedy, and Disclaimer: Unless an additional warranty is specifically stated on the applicable 3M product packaging or product literature, 3M warrants that each 3M product meets the applicable 3M product specification at the time 3M ships the product. 3M MAKES NO OTHER WARRANTIES OR CONDITIONS, EXPRESS OR IMPLIED, INCLUDING, BUT NOT LIMITED TO, ANY IMPLIED WARRANTY OR CONDITION OF MERCHANTABILITY OR FITNESS FOR A PARTICULAR PURPOSE OR ANY IMPLIED WARRANTY OR CONDITION ARISING OUT OF A COURSE OF DEALING, CUSTOM OR USAGE OF TRADE. If the 3M product does not conform to this warranty, then the sole and exclusive remedy is, at 3M's option, replacement of the 3M product or refund of the purchase price.

Limitation of Liability: Except where prohibited by law, 3M will not be liable for any loss or damage arising from the 3M product, whether direct, indirect, special, incidental or consequential, regardless of the legal theory asserted, including warranty, contract, negligence or strict liability.

|                        |                                 |                                     |                                                                                                                                                                                                                                                                                                                                     |                                                                        |              |                                                                                |
|------------------------|---------------------------------|-------------------------------------|-------------------------------------------------------------------------------------------------------------------------------------------------------------------------------------------------------------------------------------------------------------------------------------------------------------------------------------|------------------------------------------------------------------------|--------------|--------------------------------------------------------------------------------|
| DESIGN REFERENCE       | NEXT ASSEMBLY                   | REV                                 | ECO                                                                                                                                                                                                                                                                                                                                 | ISSUE DATE AND DESCRIPTION                                             | DRFT         | CHKD                                                                           |
|                        |                                 |                                     |                                                                                                                                                                                                                                                                                                                                     |                                                                        |              |                                                                                |
| NAME                   | DIVISION                        | DATE                                | DATE                                                                                                                                                                                                                                                                                                                                | DATE                                                                   | DATE         | DATE                                                                           |
| CASTIGLIONE            | EMSD                            | MAY 14, 2015                        | MAY 14, 2015                                                                                                                                                                                                                                                                                                                        | MAY 14, 2015                                                           | MAY 14, 2015 | MAY 14, 2015                                                                   |
| CHKD                   |                                 |                                     |                                                                                                                                                                                                                                                                                                                                     |                                                                        |              |                                                                                |
|                        |                                 |                                     |                                                                                                                                                                                                                                                                                                                                     |                                                                        |              |                                                                                |
| DO NOT SCALE DRAWING   | SCALE 1/1                       | TOLERANCES EXCEPT AS NOTED          |  © 3M COPYRIGHT 2018<br>This document and the information it contains are 3M property and may not be reproduced or further distributed without 3M permission, or used or disclosed other than for 3M authorized purposes. All rights reserved. |                                                                        |              |                                                                                |
| THIRD ANGLE PROJECTION | INTERPRET PER ASME Y14.5 - 2009 | INCHES<br>.00 ±<br>.000 ±<br>2000 ± | MILLIMETERS<br>0 ±<br>.00 ±<br>200 ±                                                                                                                                                                                                                                                                                                | TITLE<br><b>BOX HEADER, 2MM,<br/>STRAIGHT, RIGHT ANGLE<br/>AND SMT</b> |              |                                                                                |
| MAX SURFACE ROUGHNESS  | MARKED ONLY                     | ANGLES                              | CAGE NUMBER                                                                                                                                                                                                                                                                                                                         | SIZE                                                                   | DRAWING NO.  | REV.                                                                           |
|                        |                                 |                                     | D                                                                                                                                                                                                                                                                                                                                   | 78-5100-2656-6                                                         | C            |                                                                                |
|                        |                                 |                                     | MODEL                                                                                                                                                                                                                                                                                                                               | 9572                                                                   | DET          | YES <input type="checkbox"/> NO <input checked="" type="checkbox"/> SHT 4 OF 4 |

78-5100-2656-6 DRAWING NUMBER  
 C REVISION  
 B  
 A  
 Standard Time 4/5/2018 UTC Off/ser



Компания «ЭлектроПласт» предлагает заключение долгосрочных отношений при поставках импортных электронных компонентов на взаимовыгодных условиях!

Наши преимущества:

- Оперативные поставки широкого спектра электронных компонентов отечественного и импортного производства напрямую от производителей и с крупнейших мировых складов;
- Поставка более 17-ти миллионов наименований электронных компонентов;
- Поставка сложных, дефицитных, либо снятых с производства позиций;
- Оперативные сроки поставки под заказ (от 5 рабочих дней);
- Экспресс доставка в любую точку России;
- Техническая поддержка проекта, помощь в подборе аналогов, поставка прототипов;
- Система менеджмента качества сертифицирована по Международному стандарту ISO 9001;
- Лицензия ФСБ на осуществление работ с использованием сведений, составляющих государственную тайну;
- Поставка специализированных компонентов (Xilinx, Altera, Analog Devices, Intersil, Interpoint, Microsemi, Aeroflex, Peregrine, Syfer, Eurofarad, Texas Instrument, Miteq, Cobham, E2V, MA-COM, Hittite, Mini-Circuits, General Dynamics и др.);

Помимо этого, одним из направлений компании «ЭлектроПласт» является направление «Источники питания». Мы предлагаем Вам помощь Конструкторского отдела:

- Подбор оптимального решения, техническое обоснование при выборе компонента;
- Подбор аналогов;
- Консультации по применению компонента;
- Поставка образцов и прототипов;
- Техническая поддержка проекта;
- Защита от снятия компонента с производства.



#### Как с нами связаться

**Телефон:** 8 (812) 309 58 32 (многоканальный)

**Факс:** 8 (812) 320-02-42

**Электронная почта:** [org@eplast1.ru](mailto:org@eplast1.ru)

**Адрес:** 198099, г. Санкт-Петербург, ул. Калинина, дом 2, корпус 4, литера А.