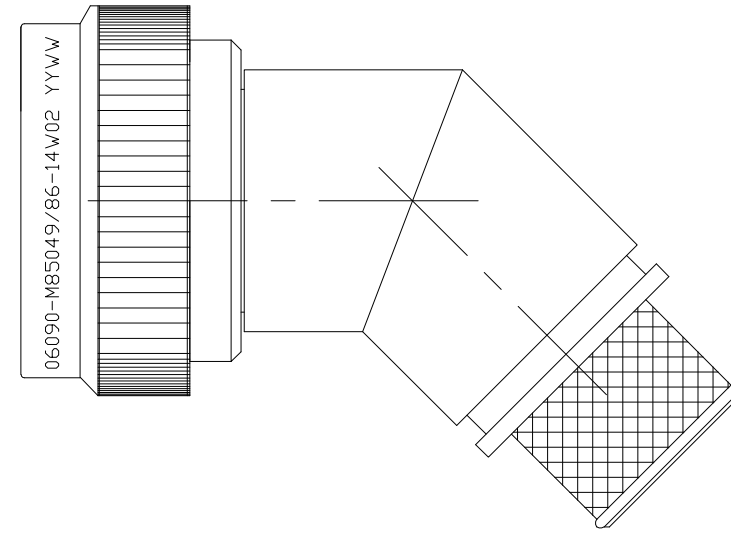



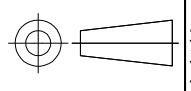
THIS DRAWING IS UNPUBLISHED. RELEASED FOR PUBLICATION  
 © COPYRIGHT - TE Connectivity ALL RIGHTS RESERVED.

| REVISIONS |     |                       |        |     |      |
|-----------|-----|-----------------------|--------|-----|------|
| P         | LTR | DESCRIPTION           | DATE   | DWN | APVD |
|           | C   | REV PER ECO 17-004919 | 6-6-17 | CT  | EH   |



SELF-LOCKING  
 SHIELD BAND TERMINATION  
 SHRINK BOOT ACCOMMODATION 45°  
 ADAPTER

1. THIS PRODUCT IS DESIGNED TO TERMINATE A BRAIDED CABLE SHIELD AND A HEAT SHRINKABLE LIPPED BOOT TO A CONNECTOR, AND DESIGNED TO MEET PERFORMANCE REQUIREMENT OF AS85049/86.
2. ALL COMPONENTS SHALL BE PACKAGED AND SUPPLIED IN A PLASTIC BAG AND LABELED WITH M85049/86 DESIGNATION e. g. M85049/86-14W02.
3. PART SUPPLIED WITH STANDARD DETENTED SELF-LOCKING WHICH PROVIDES A POSITIVE AUDIBLE DETENTED COUPLING.
4. THIS ADAPTER MATES TO CONNECTOR MIL-DTL-38999 SERIES I AND MIL-DTL-38999 SERIES II.
5. FOR MATERIAL AND FINISH INFORMATION REFER TO R85049.  
 FOR ALTERNATIVE MATERIALS AND PLATING FINISHES CONTACT TE CONNECTIVITY.

|   |  |                                |   |                    |                           |
|---|--|--------------------------------|---|--------------------|---------------------------|
| THIS DRAWING IS A CONTROLLED DOCUMENT.  |  | DWN<br>C.C.THOMAS<br>06JUN2017 |  TE Connectivity |                    |                           |
| DIMENSIONS:<br>INCHES   |  | CHK<br>E.HALEY<br>6-6-17       |   |                    |                           |
|  |  | APVD<br>E.HALEY<br>6-6-17      | NAME<br>BACKSHELL, 45°, SELF-LOCKING, SHIELD BAND<br>TERMINATION, SHRINK BOOT ADAPTER                 |                    |                           |
| TOLERANCES UNLESS OTHERWISE SPECIFIED:  |  | PRODUCT SPEC                   | APPLICATION SPEC  |                    |                           |
| 0 PLC ± -<br>1 PLC ± -<br>2 PLC ± -<br>3 PLC ± -<br>4 PLC ± -<br>ANGLES ± -           |  | WEIGHT<br>0                    | SIZE<br>A3  | CAGE CODE<br>06090 | DRAWING NO<br>C-R85049/86 |
| MATERIAL<br>-   |  | FINISH<br>-                    |   | RESTRICTED TO<br>- | CUSTOMER DRAWING          |
| SCALE<br>NTS  |  |                                | SHEET<br>1 OF 3   | REV<br>C           |                           |

THIS DRAWING IS UNPUBLISHED.

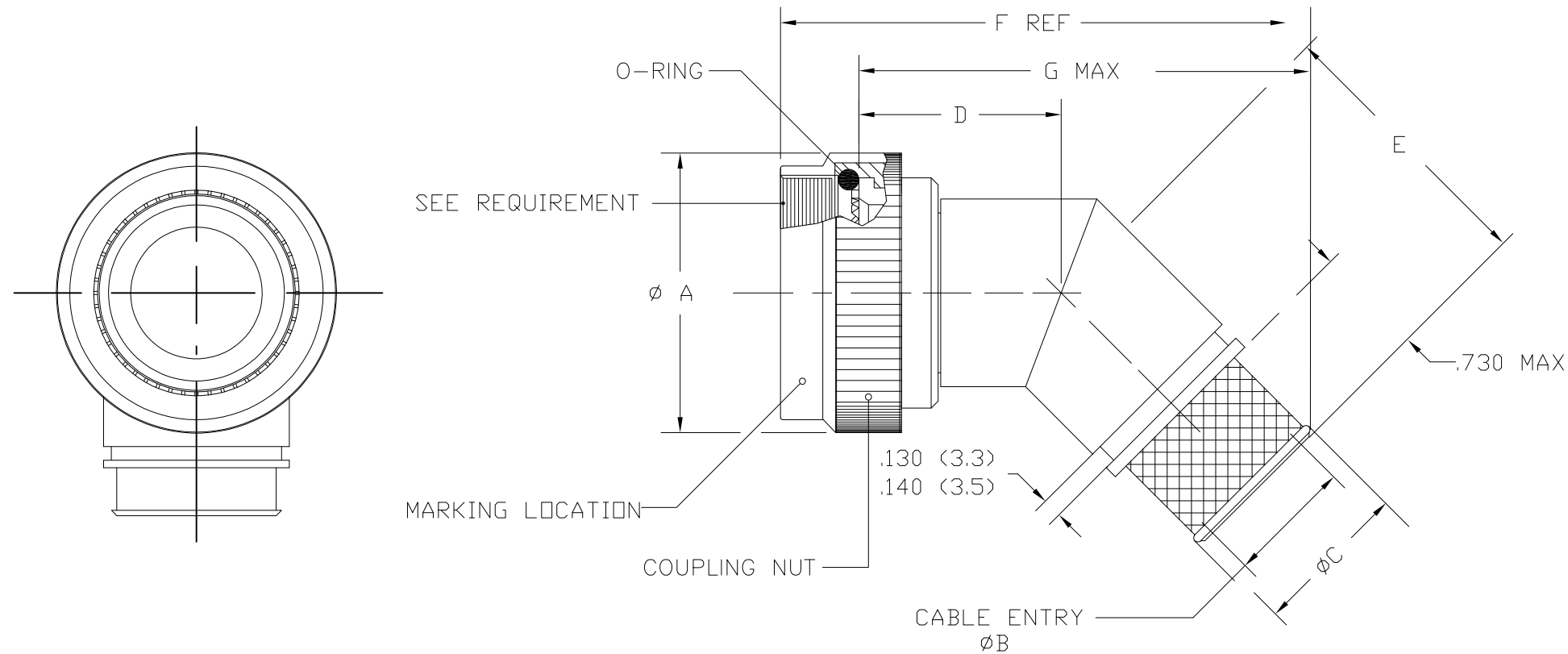
RELEASED FOR PUBLICATION

REVISIONS

© COPYRIGHT - TE Connectivity

ALL RIGHTS RESERVED.

| P | LTR | DESCRIPTION | DATE | DWN | APVD |
|---|-----|-------------|------|-----|------|
| - | -   | SEE SHEET 1 | -    | -   | -    |



PART NUMBERING

R85049/86 - 14 W 02

- SPECIFICATION SHEET
- CONFIGURATION:
  - (DASH) DETENTED SELF-LOCKING
- ORDER NO.
- FINISH
- ENTRY SIZE


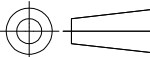
|  |     |                                |   |                    |                           |       |     |       |     |       |     |        |     |                   |            |  |  |
|--|-----|--------------------------------|---|--------------------|---------------------------|-------|-----|-------|-----|-------|-----|--------|-----|-------------------|------------|--|--|
| THIS DRAWING IS A CONTROLLED DOCUMENT.   |     | DWN<br>C.C.THOMAS<br>06JUN2017 | TE Connectivity   |                    |                           |       |     |       |     |       |     |        |     |                   |            |  |  |
| DIMENSIONS:<br>INCHES  |     | CHK<br>E.HALEY<br>6-6-17       |   |                    |                           |       |     |       |     |       |     |        |     |                   |            |  |  |
| TOLERANCES UNLESS OTHERWISE SPECIFIED:   |     | APVD<br>E.HALEY<br>6-6-17      | NAME<br>BACKSHELL, 45°, SELF-LOCKING, SHIELD BAND<br>TERMINATION, SHRINK BOOT ADAPTER |                    |                           |       |     |       |     |       |     |        |     |                   |            |  |  |
| <table border="0"> <tr> <td>0 PLC</td><td>± -</td> </tr> <tr> <td>1 PLC</td><td>± -</td> </tr> <tr> <td>2 PLC</td><td>± -</td> </tr> <tr> <td>3 PLC</td><td>± -</td> </tr> <tr> <td>4 PLC</td><td>± -</td> </tr> <tr> <td>ANGLES</td><td>± -</td> </tr> </table> |     | 0 PLC                          | ± -   | 1 PLC              | ± -                       | 2 PLC | ± - | 3 PLC | ± - | 4 PLC | ± - | ANGLES | ± - | PRODUCT SPEC<br>- | SIZE<br>A3 |  |  |
| 0 PLC  | ± - |                                |   |                    |                           |       |     |       |     |       |     |        |     |                   |            |  |  |
| 1 PLC  | ± - |                                |   |                    |                           |       |     |       |     |       |     |        |     |                   |            |  |  |
| 2 PLC  | ± - |                                |   |                    |                           |       |     |       |     |       |     |        |     |                   |            |  |  |
| 3 PLC  | ± - |                                |   |                    |                           |       |     |       |     |       |     |        |     |                   |            |  |  |
| 4 PLC  | ± - |                                |   |                    |                           |       |     |       |     |       |     |        |     |                   |            |  |  |
| ANGLES   | ± - |                                |   |                    |                           |       |     |       |     |       |     |        |     |                   |            |  |  |
| MATERIAL<br>-  |     | FINISH<br>-                    | APPLICATION SPEC<br>-   | CAGE CODE<br>06090 | DRAWING NO<br>C-R85049/86 |       |     |       |     |       |     |        |     |                   |            |  |  |
| CUSTOMER DRAWING   |     |                                | WEIGHT<br>-   | RESTRICTED TO<br>- | SCALE<br>NTS              |       |     |       |     |       |     |        |     |                   |            |  |  |
|  |     |                                | SHEET<br>2 OF 3   |                    | REV<br>C                  |       |     |       |     |       |     |        |     |                   |            |  |  |

THIS DRAWING IS UNPUBLISHED. RELEASED FOR PUBLICATION  
 © COPYRIGHT - TE Connectivity ALL RIGHTS RESERVED.

| REVISIONS |     |             |      |     |      |
|-----------|-----|-------------|------|-----|------|
| P         | LTR | DESCRIPTION | DATE | DWN | APVD |
| -         | -   | SEE SHEET 1 | -    | -   | -    |

| ORDER NUMBER | CONNECTOR SHELL SIZE |        | TABLE I - SHELL SIZE AND DIMENSIONS |                     |             |            |             |
|--------------|----------------------|--------|-------------------------------------|---------------------|-------------|------------|-------------|
|              |                      |        | ØA MAX                              | ØB ±.010 ENTRY SIZE |             | ØC REF     |             |
|              | SERIES               | SERIES |                                     | Ø1                  | Ø2          | Ø1         | Ø2          |
| 8            | 9                    | 8      | .86 (21.8)                          | N/A                 | .25 (6.4)   | N/A        | .39 (10.0)  |
| 10           | 11                   | 10     | .98 (25.0)                          | N/A                 | .31 (7.9)   | N/A        | .46 (11.6)  |
| 12           | 13                   | 12     | 1.16 (29.4)                         | .31 (7.9)           | .44 (11.1)  | .46 (11.6) | .58 (14.8)  |
| 14           | 15                   | 14     | 1.28 (32.5)                         | .44 (11.1)          | .56 (14.3)  | .58 (14.8) | .71 (18.0)  |
| 16           | 17                   | 16     | 1.41 (35.7)                         | .50 (12.7)          | .63 (15.9)  | .65 (16.4) | .77 (19.6)  |
| 18           | 19                   | 18     | 1.52 (38.5)                         | .63 (15.9)          | .75 (19.1)  | .77 (19.6) | .89 (22.7)  |
| 20           | 21                   | 20     | 1.64 (41.7)                         | .63 (15.9)          | .81 (20.6)  | .77 (19.6) | .96 (24.3)  |
| 22           | 23                   | 22     | 1.77 (44.9)                         | .69 (17.5)          | .94 (23.8)  | .83 (21.1) | 1.08 (27.5) |
| 24           | 25                   | 24     | 1.89 (48.0)                         | .75 (19.1)          | 1.00 (25.4) | .89 (22.7) | 1.15 (29.1) |

| ORDER NUMBER | CONNECTOR SHELL SIZE |        | TABLE I - SHELL SIZE AND DIMENSIONS (CONTINUES) |             |             |             |             |             |
|--------------|----------------------|--------|---|-------------|-------------|-------------|-------------|-------------|
|              |                      |        | D MAX   | E MAX       | F (REF)     |             | G MAX       |             |
|              | SERIES               | SERIES |   |             | Ø2          | Ø3          | Ø2          | Ø3          |
| 8            | 9                    | 8      | .87 (22.1)                                      | 1.16 (29.5) | 1.88 (47.7) | 2.02 (51.3) | 1.69 (42.9) | 1.83 (46.5) |
| 10           | 11                   | 10     | .90 (22.7)                                      | 1.19 (30.2) | 1.93 (49.0) | 2.09 (53.1) | 1.74 (44.2) | 1.90 (48.3) |
| 12           | 13                   | 12     | .92 (23.4)                                      | 1.21 (30.7) | 2.13 (54.1) | 2.17 (55.1) | 1.94 (49.3) | 1.98 (50.3) |
| 14           | 15                   | 14     | .95 (24.1)                                      | 1.24 (31.5) | 2.22 (56.4) | 2.27 (57.6) | 2.03 (51.6) | 2.08 (52.8) |
| 16           | 17                   | 16     | .98 (24.9)                                      | 1.26 (32.0) | 2.29 (58.2) | 2.33 (59.2) | 2.10 (53.3) | 2.14 (54.4) |
| 18           | 19                   | 18     | .98 (24.9)                                      | 1.27 (32.3) | 2.34 (59.4) | 2.38 (60.5) | 2.15 (54.6) | 2.19 (55.6) |
| 20           | 21                   | 20     | 1.01 (25.6)                                     | 1.30 (33.0) | 2.39 (60.7) | 2.46 (62.5) | 2.20 (55.9) | 2.27 (57.7) |
| 22           | 23                   | 22     | 1.04 (26.4)                                     | 1.33 (33.8) | 2.46 (62.5) | 2.55 (64.8) | 2.28 (57.9) | 2.36 (59.9) |
| 24           | 25                   | 24     | 1.07 (27.2)                                     | 1.35 (34.3) | 2.53 (64.3) | 2.62 (66.5) | 2.34 (59.4) | 2.43 (61.7) |

|   |  |                                |   |                 |                    |                           |                    |
|---|--|--------------------------------|---|-----------------|--------------------|---------------------------|--------------------|
| THIS DRAWING IS A CONTROLLED DOCUMENT.  |  | DWN<br>C.C.THOMAS<br>06JUN2017 |  TE Connectivity |                 |                    |                           |                    |
| DIMENSIONS:<br>INCHES   |  | CHK<br>E.HALEY<br>6-6-17       |   |                 |                    |                           |                    |
|  |  | APVD<br>E.HALEY<br>6-6-17      | NAME<br>BACKSHELL, 45°, SELF-LOCKING, SHIELD BAND<br>TERMINATION, SHRINK BOOT ADAPTER                 |                 |                    |                           |                    |
| TOLERANCES UNLESS OTHERWISE SPECIFIED:  |  | PRODUCT SPEC<br>-              | APPLICATION SPEC<br>-   |                 |                    |                           |                    |
| MATERIAL<br>-   |  | FINISH<br>-                    | WEIGHT<br>-   | SIZE<br>A3      | CAGE CODE<br>06090 | DRAWING NO<br>C-R85049/86 | RESTRICTED TO<br>- |
| CUSTOMER DRAWING  |  |                                | SCALE<br>NTS  | SHEET<br>3 OF 3 | REV<br>C           |                           |                    |



Компания «ЭлектроПласт» предлагает заключение долгосрочных отношений при поставках импортных электронных компонентов на взаимовыгодных условиях!

Наши преимущества:

- Оперативные поставки широкого спектра электронных компонентов отечественного и импортного производства напрямую от производителей и с крупнейших мировых складов;
- Поставка более 17-ти миллионов наименований электронных компонентов;
- Поставка сложных, дефицитных, либо снятых с производства позиций;
- Оперативные сроки поставки под заказ (от 5 рабочих дней);
- Экспресс доставка в любую точку России;
- Техническая поддержка проекта, помощь в подборе аналогов, поставка прототипов;
- Система менеджмента качества сертифицирована по Международному стандарту ISO 9001;
- Лицензия ФСБ на осуществление работ с использованием сведений, составляющих государственную тайну;
- Поставка специализированных компонентов (Xilinx, Altera, Analog Devices, Intersil, Interpoint, Microsemi, Aeroflex, Peregrine, Syfer, Eurofarad, Texas Instrument, Miteq, Cobham, E2V, MA-COM, Hittite, Mini-Circuits, General Dynamics и др.);

Помимо этого, одним из направлений компании «ЭлектроПласт» является направление «Источники питания». Мы предлагаем Вам помощь Конструкторского отдела:

- Подбор оптимального решения, техническое обоснование при выборе компонента;
- Подбор аналогов;
- Консультации по применению компонента;
- Поставка образцов и прототипов;
- Техническая поддержка проекта;
- Защита от снятия компонента с производства.



#### Как с нами связаться

**Телефон:** 8 (812) 309 58 32 (многоканальный)

**Факс:** 8 (812) 320-02-42

**Электронная почта:** [org@eplast1.ru](mailto:org@eplast1.ru)

**Адрес:** 198099, г. Санкт-Петербург, ул. Калинина, дом 2, корпус 4, литера А.