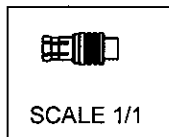
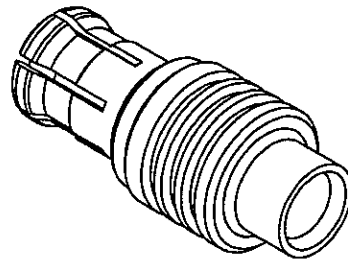
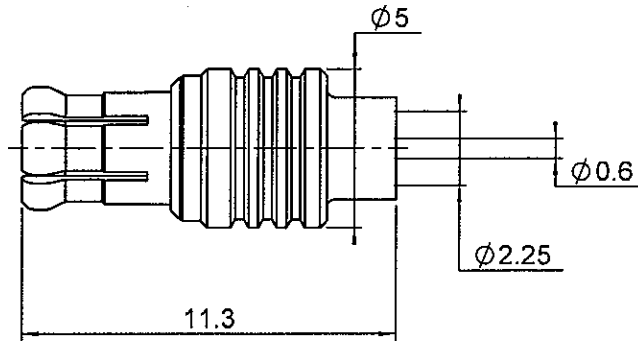
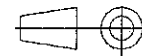


|                                                       |                                     |
|-------------------------------------------------------|-------------------------------------|
| TECHNICAL DATA SHEET                                  | 1/3                                 |
| <b>STRAIGHT PLUG SOLDER TYPE</b><br><b>CABLE .085</b> | <b>R113.053.000</b><br>Series : MCX |



All dimensions are in mm.




| COMPONENTS     | MATERIALS        | PLATINGS (µm)          |
|----------------|------------------|------------------------|
| BODY           | BRASS            | GOLD 0.2 OVER NICKEL 2 |
| CENTER CONTACT | BRASS            | GOLD 1.3 OVER NICKEL 2 |
| OUTER CONTACT  | BERYLLIUM COPPER | GOLD 0.5 OVER NICKEL 2 |
| INSULATOR      | PTFE             |                        |
| GASKET         | -                | -                      |
| OTHERS PARTS   | -                | -                      |
| -              | -                | -                      |
| -              | -                | -                      |

Issue : 0925 B

In the effort to improve our products, we reserve the right to make changes judged to be necessary.

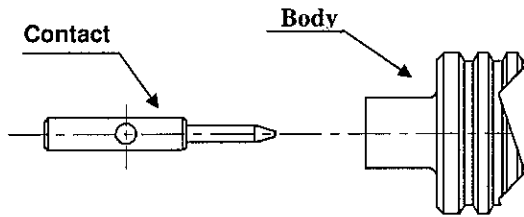
**RADIAL**

| TECHNICAL DATA SHEET                                                                                                         |                               | 2 / 3                                                                                                                                                                                                                                                                                                                                             |             |             |         |              |                    |   |   |    |      |      |      |      |      |      |
|------------------------------------------------------------------------------------------------------------------------------|-------------------------------|---------------------------------------------------------------------------------------------------------------------------------------------------------------------------------------------------------------------------------------------------------------------------------------------------------------------------------------------------|-------------|-------------|---------|--------------|--------------------|---|---|----|------|------|------|------|------|------|
| <b>STRAIGHT PLUG SOLDER TYPE</b>                                                                                             |                               | <b>R113.053.000</b>                                                                                                                                                                                                                                                                                                                               |             |             |         |              |                    |   |   |    |      |      |      |      |      |      |
| <b>CABLE .085</b>                                                                                                            |                               | Series : MCX                                                                                                                                                                                                                                                                                                                                      |             |             |         |              |                    |   |   |    |      |      |      |      |      |      |
| <b>PACKAGING</b>                                                                                                             |                               | <b>SPECIFICATION</b>                                                                                                                                                                                                                                                                                                                              |             |             |         |              |                    |   |   |    |      |      |      |      |      |      |
| Standard                                                                                                                     | Unit                          | Other                                                                                                                                                                                                                                                                                                                                             |             |             |         |              |                    |   |   |    |      |      |      |      |      |      |
| <b>100</b>                                                                                                                   | <b>'W' option</b>             | <b>Contact us</b>                                                                                                                                                                                                                                                                                                                                 |             |             |         |              |                    |   |   |    |      |      |      |      |      |      |
| <b>ELECTRICAL CHARACTERISTICS</b>                                                                                            |                               | <b>CABLE ASSEMBLY</b>                                                                                                                                                                                                                                                                                                                             |             |             |         |              |                    |   |   |    |      |      |      |      |      |      |
| Impedance                                                                                                                    | 50 $\Omega$                   | <table border="1" style="width:100%; border-collapse: collapse;"> <thead> <tr> <th style="text-align: left;">Stripping</th> <th>a</th> <th>b</th> <th>c</th> <th>d</th> <th>e</th> <th>f</th> </tr> </thead> <tbody> <tr> <td>mm</td> <td>2.70</td> <td>0.00</td> <td>0.00</td> <td>0.00</td> <td>2.10</td> <td>0.00</td> </tr> </tbody> </table> | Stripping   | a           | b       | c            | d                  | e | f | mm | 2.70 | 0.00 | 0.00 | 0.00 | 2.10 | 0.00 |
| Stripping                                                                                                                    | a                             | b                                                                                                                                                                                                                                                                                                                                                 | c           | d           | e       | f            |                    |   |   |    |      |      |      |      |      |      |
| mm                                                                                                                           | 2.70                          | 0.00                                                                                                                                                                                                                                                                                                                                              | 0.00        | 0.00        | 2.10    | 0.00         |                    |   |   |    |      |      |      |      |      |      |
| Frequency                                                                                                                    | 0-6 GHz                       | Assembly instruction :                                                                                                                                                                                                                                                                                                                            |             |             |         |              |                    |   |   |    |      |      |      |      |      |      |
| VSWR                                                                                                                         | 1.10 + 0.0400 x F(GHz) Maxi   |                                                                                                                                                                                                                                                                                                                                                   |             |             |         |              |                    |   |   |    |      |      |      |      |      |      |
| Insertion loss                                                                                                               | 0.25 $\sqrt{F}$ (GHz) dB Maxi | Recommended cable(s)                                                                                                                                                                                                                                                                                                                              |             |             |         |              |                    |   |   |    |      |      |      |      |      |      |
| RF leakage                                                                                                                   | - ( NA - F(GHz)) dB mini      | KS 1                                                                                                                                                                                                                                                                                                                                              |             |             |         |              |                    |   |   |    |      |      |      |      |      |      |
| Voltage rating                                                                                                               | 250 Veff Maxi                 | RG 405                                                                                                                                                                                                                                                                                                                                            |             |             |         |              |                    |   |   |    |      |      |      |      |      |      |
| Dielectric withstanding voltage                                                                                              | 750 Veff mini                 | Cable retention                                                                                                                                                                                                                                                                                                                                   |             |             |         |              |                    |   |   |    |      |      |      |      |      |      |
| Insulation resistance                                                                                                        | 1000 M $\Omega$ mini          | - pull off <span style="float: right;">155 N mini</span>                                                                                                                                                                                                                                                                                          |             |             |         |              |                    |   |   |    |      |      |      |      |      |      |
| <b>MECHANICAL CHARACTERISTICS</b>                                                                                            |                               | - torque <span style="float: right;">NA N.cm</span>                                                                                                                                                                                                                                                                                               |             |             |         |              |                    |   |   |    |      |      |      |      |      |      |
| Center contact retention                                                                                                     |                               | <b>TOOLING</b>                                                                                                                                                                                                                                                                                                                                    |             |             |         |              |                    |   |   |    |      |      |      |      |      |      |
| Axial force – Mating end                                                                                                     | NA N mini                     | <table border="1" style="width:100%; border-collapse: collapse;"> <thead> <tr> <th style="text-align: left;">Part Number</th> <th>Description</th> <th>Hexagon</th> </tr> </thead> <tbody> <tr> <td>R282.740.020</td> <td>SOLDERING MOUNTING</td> <td></td> </tr> </tbody> </table>                                                               | Part Number | Description | Hexagon | R282.740.020 | SOLDERING MOUNTING |   |   |    |      |      |      |      |      |      |
| Part Number                                                                                                                  | Description                   | Hexagon                                                                                                                                                                                                                                                                                                                                           |             |             |         |              |                    |   |   |    |      |      |      |      |      |      |
| R282.740.020                                                                                                                 | SOLDERING MOUNTING            |                                                                                                                                                                                                                                                                                                                                                   |             |             |         |              |                    |   |   |    |      |      |      |      |      |      |
| Axial force – Opposite end                                                                                                   | NA N mini                     |                                                                                                                                                                                                                                                                                                                                                   |             |             |         |              |                    |   |   |    |      |      |      |      |      |      |
| Torque                                                                                                                       | NA N.cm mini                  |                                                                                                                                                                                                                                                                                                                                                   |             |             |         |              |                    |   |   |    |      |      |      |      |      |      |
| Recommended torque                                                                                                           |                               | <b>OTHERS CHARACTERISTICS</b>                                                                                                                                                                                                                                                                                                                     |             |             |         |              |                    |   |   |    |      |      |      |      |      |      |
| Mating                                                                                                                       | NA N.cm                       |                                                                                                                                                                                                                                                                                                                                                   |             |             |         |              |                    |   |   |    |      |      |      |      |      |      |
| Panel nut                                                                                                                    | NA N.cm                       |                                                                                                                                                                                                                                                                                                                                                   |             |             |         |              |                    |   |   |    |      |      |      |      |      |      |
| Clamp nut                                                                                                                    | NA N.cm                       |                                                                                                                                                                                                                                                                                                                                                   |             |             |         |              |                    |   |   |    |      |      |      |      |      |      |
| A/F clamp nut                                                                                                                | 0.0000 mm                     |                                                                                                                                                                                                                                                                                                                                                   |             |             |         |              |                    |   |   |    |      |      |      |      |      |      |
| Mating life                                                                                                                  | 500 Cycles mini               |                                                                                                                                                                                                                                                                                                                                                   |             |             |         |              |                    |   |   |    |      |      |      |      |      |      |
| Weight                                                                                                                       | 0.6430 g                      |                                                                                                                                                                                                                                                                                                                                                   |             |             |         |              |                    |   |   |    |      |      |      |      |      |      |
| <b>ENVIRONMENTAL</b>                                                                                                         |                               |                                                                                                                                                                                                                                                                                                                                                   |             |             |         |              |                    |   |   |    |      |      |      |      |      |      |
| Operating temperature                                                                                                        | -55/+115 ° C                  |                                                                                                                                                                                                                                                                                                                                                   |             |             |         |              |                    |   |   |    |      |      |      |      |      |      |
| Hermetic seal                                                                                                                | NA Atm.cm3/s                  |                                                                                                                                                                                                                                                                                                                                                   |             |             |         |              |                    |   |   |    |      |      |      |      |      |      |
| Panel leakage                                                                                                                | NA                            |                                                                                                                                                                                                                                                                                                                                                   |             |             |         |              |                    |   |   |    |      |      |      |      |      |      |
| <b>Issue : 0925 B</b><br>In the effort to improve our products, we reserve the right to make changes judged to be necessary. |                               |                                                                                                                                                                                                                                                              |             |             |         |              |                    |   |   |    |      |      |      |      |      |      |

**STRAIGHT PLUG SOLDER TYPE**  
**CABLE .085**

**R113.053.000**  
Series : MCX

**COMPONENT**



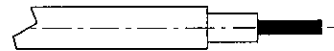
**STRIPPING DIMENSIONS**



We recommend a thermal preconditioning cable.

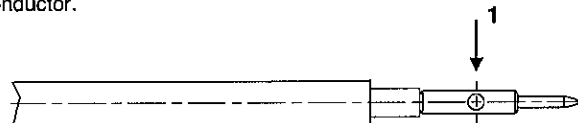
**1**

Cable stripping.



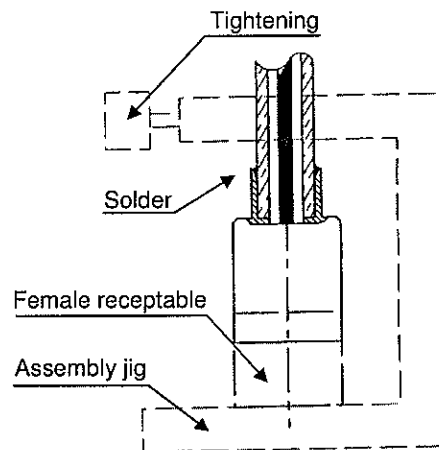
**2**

Tin centre contact solder pot.  
Solder centre contact on cable inner conductor.  
Clean solder.



**3**

Introduce cable into the connector body until contact with the body shoulder.  
Place the sub assembly into the assembly jig R282 740 020 (or equivalent).  
We advise to connect a female receptable to the connector prior to solder the body in order to respect right centre contact position.  
Tighten the sub assembly.  
Solder body on the cable.  
Let the assembly cool down before removing it from the jig.  
Clean solder.



Issue : 0925 B

In the effort to improve our products, we reserve the right to make changes judged to be necessary.





Компания «ЭлектроПласт» предлагает заключение долгосрочных отношений при поставках импортных электронных компонентов на взаимовыгодных условиях!

Наши преимущества:

- Оперативные поставки широкого спектра электронных компонентов отечественного и импортного производства напрямую от производителей и с крупнейших мировых складов;
- Поставка более 17-ти миллионов наименований электронных компонентов;
- Поставка сложных, дефицитных, либо снятых с производства позиций;
- Оперативные сроки поставки под заказ (от 5 рабочих дней);
- Экспресс доставка в любую точку России;
- Техническая поддержка проекта, помощь в подборе аналогов, поставка прототипов;
- Система менеджмента качества сертифицирована по Международному стандарту ISO 9001;
- Лицензия ФСБ на осуществление работ с использованием сведений, составляющих государственную тайну;
- Поставка специализированных компонентов (Xilinx, Altera, Analog Devices, Intersil, Interpoint, Microsemi, Aeroflex, Peregrine, Syfer, Eurofarad, Texas Instrument, Miteq, Cobham, E2V, MA-COM, Hittite, Mini-Circuits, General Dynamics и др.);

Помимо этого, одним из направлений компании «ЭлектроПласт» является направление «Источники питания». Мы предлагаем Вам помощь Конструкторского отдела:

- Подбор оптимального решения, техническое обоснование при выборе компонента;
- Подбор аналогов;
- Консультации по применению компонента;
- Поставка образцов и прототипов;
- Техническая поддержка проекта;
- Защита от снятия компонента с производства.



#### Как с нами связаться

**Телефон:** 8 (812) 309 58 32 (многоканальный)

**Факс:** 8 (812) 320-02-42

**Электронная почта:** [org@eplast1.ru](mailto:org@eplast1.ru)

**Адрес:** 198099, г. Санкт-Петербург, ул. Калинина, дом 2, корпус 4, литера А.