



SERIES: PDRB-5 | **DESCRIPTION:** AC-DC DIN RAIL POWER SUPPLY

FEATURES

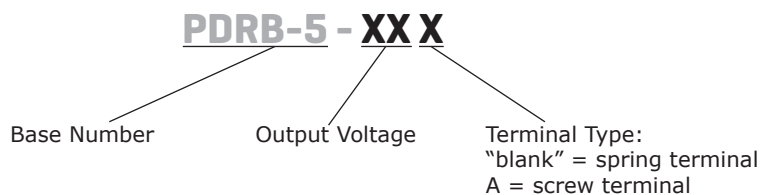
- universal input (90~264 Vac)
- integrated fuse and surge protection
- 3,000 Vac input/output isolation voltage
- DC ON/LOW LED indicators
- over voltage/current protection
- spring and screw terminal options
- adjustable output via trim POT
- UL/cUL, TUV, CE certified



| MODEL | output voltage | output current | output power | ripple and noise ¹ | efficiency ² |
|-----------|----------------|----------------|--------------|-------------------------------|-------------------------|
| | (Vdc) | max (A) | max (W) | max (mVp-p) | typ (%) |
| PDRB-5-5 | 5 | 1.0 | 5 | 50 | 69 |
| PDRB-5-12 | 12 | 0.42 | 5 | 50 | 72 |
| PDRB-5-15 | 15 | 0.34 | 5 | 50 | 72 |
| PDRB-5-24 | 24 | 0.21 | 5 | 50 | 72 |

Notes: 1. At full load, nominal input, 20 MHz bandwidth oscilloscope.
 2. At nominal input.
 3. All specifications are measured at Ta=25°C, nominal input voltage, and rated output load unless otherwise specified.

PART NUMBER KEY



INPUT

| parameter | conditions/description | min | typ | max | units |
|-----------------|------------------------|-----|-----|------|-------|
| voltage | | 90 | | 264 | Vac |
| | | 120 | | 375 | Vdc |
| frequency | | 47 | | 63 | Hz |
| current | at 90 Vac, full load | | | 200 | mA |
| inrush current | at 115 Vac, full load | | | 15 | A |
| | at 230 Vac, full load | | | 30 | A |
| leakage current | input to output | | | 0.25 | mA |
| | input to FG | | | 3.5 | mA |

OUTPUT

| parameter | conditions/description | min | typ | max | units |
|---|---|------|-----|-------|-------|
| capacitive load | | | | 3,500 | μF |
| initial set point accuracy | | | | ±1 | % |
| line regulation | at full load, V in min to V in max | | | ±1 | % |
| load regulation | at Vi nom, 0~100% load | | | ±2 | % |
| adjustability | via built in trim pot, 80% load | | | | |
| | 5, 12, 15 Vdc output models | 90 | | 115 | % |
| | 24 Vdc output models | 90 | | 120 | % |
| rated continuous loading at max trim voltage | 5 Vdc output models (5.75 Vdc) | | | 0.85 | A |
| | 12 Vdc output models (13.8 Vdc) | | | 0.36 | A |
| | 15 Vdc output models (17.25 Vdc) | | | 0.28 | A |
| | 24 Vdc output models (28.8 Vdc) | | | 0.17 | A |
| start-up time | at Vi nom, full load | | | 1.0 | s |
| | at Vi nom, full load with max capacitive load | | | 1.5 | s |
| rise time | at Vi nom, full load | | | 150 | ms |
| | at Vi nom, full load with max capacitive load | | | 500 | ms |
| hold-up time | at 115 Vac, full load | 30 | | | ms |
| | at 230 Vac, full load | 130 | | | ms |
| fall time | at Vi nom, full load | | | 150 | ms |
| transient recovery time | at Vi nom, 100~50% load | | | 2 | ms |
| switching frequency | at Vi nom, full load | | 132 | | kHz |
| temperature coefficient | | | | ±0.03 | %/°C |
| power back immunity | at Vi nom, full load, for 1 second | | | | |
| | 5 Vdc output models | 7.5 | | | Vdc |
| | 12 Vdc output models | 18 | | | Vdc |
| | 15 Vdc output models | 22 | | | Vdc |
| | 24 Vdc output models | 35 | | | Vdc |
| DC ON indicator threshold at start-up (GREEN) | 5 Vdc output models | 3.5 | | 4.5 | Vdc |
| | 12 Vdc output models | 9.0 | | 10.8 | Vdc |
| | 15 Vdc output models | 11.0 | | 13.5 | Vdc |
| | 24 Vdc output models | 18 | | 21.6 | Vdc |
| DC LOW indicator threshold after start-up (RED) | 5 Vdc output models | 3.5 | | 4.5 | Vdc |
| | 12 Vdc output models | 9.0 | | 10.8 | Vdc |
| | 15 Vdc output models | 11.0 | | 13.5 | Vdc |
| | 24 Vdc output models | 18 | | 21.6 | Vdc |

PROTECTIONS

| parameter | conditions/description | min | typ | max | units |
|--------------------------|------------------------------------|-------|-----|-------|-------|
| over voltage protection | at Vi nom, 80% load, auto recovery | | | | |
| | 5 Vdc output models | 6.25 | | 7.25 | Vdc |
| | 12 Vdc output models | 15 | | 17.4 | Vdc |
| | 15 Vdc output models | 18.75 | | 21.75 | Vdc |
| | 24 Vdc output models | 30 | | 34.8 | Vdc |
| over current protection | hiccup, auto recovery (see curve) | 110 | | 165 | % |
| short circuit protection | hiccup, auto recovery | | | | |

SAFETY & COMPLIANCE

| parameter | conditions/description | min | typ | max | units |
|----------------------|--|-------|---------|-----|-------|
| isolation voltage | input to output for 1 minute | 3,000 | | | Vac |
| | | 4,242 | | | Vdc |
| | input to FG for 1 minute | 1,500 | | | Vac |
| | | 2,121 | | | Vdc |
| | output to FG for 1 minute | 500 | | | Vac |
| | | 710 | | | Vdc |
| isolation resistance | input to output at 500 Vdc | 100 | | | MΩ |
| safety approvals | UL 508, UL 1310, UL 60950-1, EN 62368-1 ISA 12.12.01 (Class I, Div 2, Groups A~D) | | | | |
| safety class | Class I | | | | |
| EMI/EMC | EN 55032 Class B, EN 55024, ENV 50204, EN 61204-3, EN 61000-3-2, EN 61000-3-3, EN 61000-6-2, EN 61000-6-3, EN 61000-4-2, EN 61000-4-3, EN 61000-4-4, EN 61000-4-5, EN 61000-4-6, EN 61000-4-8, EN 61000-4-11 | | | | |
| pollution degree | 2 | | | | |
| degree of protection | IP20 | | | | |
| MTBF | as per Bellcore Issue 6 at 40 °C, GB | | | | |
| | 5 Vdc output models | | 806,000 | | hours |
| | 12 Vdc output models | | 831,000 | | hours |
| | 15 Vdc output models | | 846,000 | | hours |
| | 24 Vdc output models | | 888,000 | | hours |
| RoHS | yes | | | | |

Notes: 4. The power supply is considered a component which will be installed into final equipment. The final equipment still must be tested to meet the necessary EMC directives.

ENVIRONMENTAL

| parameter | conditions/description | min | typ | max | units |
|-----------------------|---|-----|-----|-------|-------|
| operating temperature | see derating curves | -20 | | 71 | °C |
| storage temperature | | -25 | | 85 | °C |
| humidity | non-condensing | 20 | | 95 | % |
| altitude | EN 60950-1 | | | 5,000 | m |
| vibration | meets IEC 60068-2-6 (Mounting on rail: 10~500 Hz, 2 G, along X,Y,Z axis, for 60 minutes on each axis) | | | | |
| shock | meets IEC 60068-2-27 (15 G, 11 ms, 3 axis, 6 faces, 3 times for each face) | | | | |

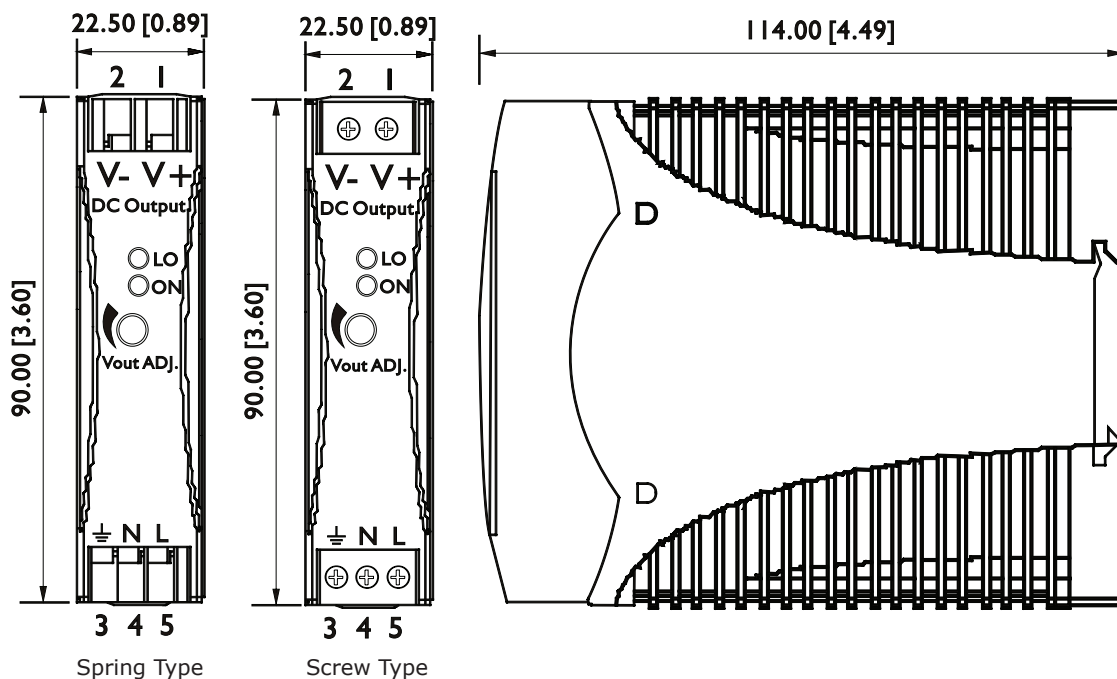
MECHANICAL

| parameter | conditions/description | min | typ | max | units |
|------------------------|---|-----|-----|-----|-------|
| dimensions | 90.00 x 22.50 x 114.00 (3.60 x 0.89 x 4.49 inches) | | | | mm |
| material | plastic | | | | |
| weight | | | 120 | | g |
| cooling | natural convection | | | | |
| input/output connector | spring terminal: accepts 24~14 AWG wire screw terminal: accepts 26~12 AWG wire | | | | |

MECHANICAL DRAWING

units: mm [inch]
 tolerance:
 $X \leq 30.00$: ± 0.30 [± 0.01]
 $30.00 < X \leq 120.00$: ± 0.50 [± 0.02]
 unless otherwise noted

| TERMINAL CONNECTIONS | |
|----------------------|----------|
| TERMINAL | Function |
| 1 | V+ |
| 2 | V- |
| 3 | |
| 4 | N |
| 5 | L |

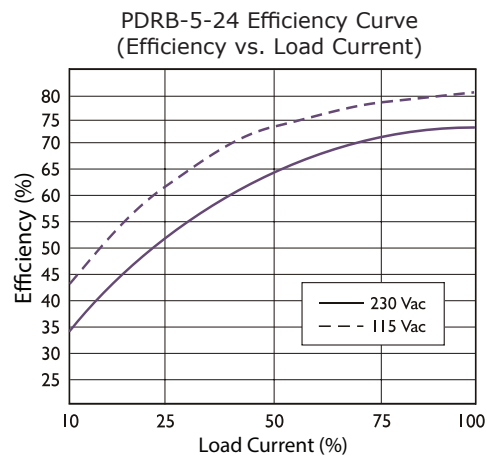


| INSTALLATION | | |
|--------------|--|--------------------------------------|
| | Spring | Screw |
| DIN RAIL | TS35/7.5 or TS35/15 | |
| Cable | flexible/solid, copper conductors only, 60/75°C | |
| Wire Range | 24~14 AWG (0.2~2 mm ²) | 26~12 AWG (0.2~2.5 mm ²) |
| Strip Length | 10 mm | 4~5 mm |
| Screw Torque | -- | 5 lb·in |
| Position | Vertical | |
| Cooling | Natural convection, 25 mm clearance on all sides | |

DERATING CURVE



EFFICIENCY CURVES



CURRENT LIMITED CURVE



REVISION HISTORY

| rev. | description | date |
|------|-----------------|------------|
| 1.0 | initial release | 06/13/2019 |

The revision history provided is for informational purposes only and is believed to be accurate.



Headquarters
20050 SW 112th Ave.
Tualatin, OR 97062
800.275.4899

Fax 503.612.2383
cui.com
techsupport@cui.com

CUI offers a two (2) year limited warranty. Complete warranty information is listed on our website.

CUI reserves the right to make changes to the product at any time without notice. Information provided by CUI is believed to be accurate and reliable. However, no responsibility is assumed by CUI for its use, nor for any infringements of patents or other rights of third parties which may result from its use.

CUI products are not authorized or warranted for use as critical components in equipment that requires an extremely high level of reliability. A critical component is any component of a life support device or system whose failure to perform can be reasonably expected to cause the failure of the life support device or system, or to affect its safety or effectiveness.



Компания «ЭлектроПласт» предлагает заключение долгосрочных отношений при поставках импортных электронных компонентов на взаимовыгодных условиях!

Наши преимущества:

- Оперативные поставки широкого спектра электронных компонентов отечественного и импортного производства напрямую от производителей и с крупнейших мировых складов;
- Поставка более 17-ти миллионов наименований электронных компонентов;
- Поставка сложных, дефицитных, либо снятых с производства позиций;
- Оперативные сроки поставки под заказ (от 5 рабочих дней);
- Экспресс доставка в любую точку России;
- Техническая поддержка проекта, помощь в подборе аналогов, поставка прототипов;
- Система менеджмента качества сертифицирована по Международному стандарту ISO 9001;
- Лицензия ФСБ на осуществление работ с использованием сведений, составляющих государственную тайну;
- Поставка специализированных компонентов (Xilinx, Altera, Analog Devices, Intersil, Interpoint, Microsemi, Aeroflex, Peregrine, Syfer, Eurofarad, Texas Instrument, Miteq, Cobham, E2V, MA-COM, Hittite, Mini-Circuits, General Dynamics и др.);

Помимо этого, одним из направлений компании «ЭлектроПласт» является направление «Источники питания». Мы предлагаем Вам помощь Конструкторского отдела:

- Подбор оптимального решения, техническое обоснование при выборе компонента;
- Подбор аналогов;
- Консультации по применению компонента;
- Поставка образцов и прототипов;
- Техническая поддержка проекта;
- Защита от снятия компонента с производства.



Как с нами связаться

Телефон: 8 (812) 309 58 32 (многоканальный)

Факс: 8 (812) 320-02-42

Электронная почта: org@eplast1.ru

Адрес: 198099, г. Санкт-Петербург, ул. Калинина, дом 2, корпус 4, литера А.