

Interactive Catalog Replaces Catalog Pages

Honeywell Sensing and Control has replaced the PDF product catalog with the new **Interactive Catalog**. The **Interactive Catalog** is a power search tool that makes it easier to find product information. It includes more installation, application, and technical information than ever before.



**Click this icon to try the new
Interactive Catalog.**

Sensing and Control

Honeywell Inc.

11 West Spring Street

Freeport, Illinois 61032

Pressure Sensors

High Pressure Gage, Vacuum Gage/Amplified

240PC Series



FEATURES

- Internal O-Ring seals for contamination resistance
- Screw-in or flat-pack mounting
- Rugged aluminum housing

240PC SERIES PERFORMANCE CHARACTERISTICS at 8.0 ±0.01 VDC Excitation, 25°C

	Min.	Typ.	Max.	Units
Excitation	7.00	8.00	16.0	VDC
Supply Current	---	8.00	20.0	mA
Current Sourcing Output	---	---	10	mA
Null Offset (241/242PC) *	0.95	1.00	1.05	V
Null Offset (243PC) **	3.45	3.50	3.55	V
Output at Full Pressure**	5.80	6.00	6.20	V
Span (241/242PC)	4.80	5.00	5.20	V
Span (243PC)	---	±2.5	---	V
Ratiometricity Error				
7 to 8 V or 8 to 9 V	---	±0.50	---	%Span
9 to 12 V	---	±2.00	---	
Stability over One Year	---	±0.50	---	%Span
Response Time	---	---	1.00	msec
Weight	---	85	---	grams
Short Circuit Protection	Output may be shorted indefinitely to ground			
Output Ripple	None, DC device			
Ground Reference	Supply and output are common			

*Positive (or negative) pressure measurement

**Positive and negative pressure measurement

ENVIRONMENTAL SPECIFICATIONS

Operating Temperature	-40° to +85°C (-40° to +185°F)
Storage Temperature	-40° to +85°C (-40° to +185°F)
Compensated Temperature	-18° to +63°C (0° to +145°F)
Shock	MIL-STD-202, Method 213 (50 g, half sine, 6 msec)
Vibration	MIL-STD-202, Method 204 (10 to 2000 Hz at 10 g)
Media	P2 port Wetted materials; die-cast aluminum housing, O-ring seal, silicon, borosilicate glass, and silicon-to-glass bond*

*Liquid media containing some highly ionic solutions could potentially neutralize the chip-to-glass tube bond.

Amplified

Pressure Sensors

240PC Series

High Pressure Gage, Vacuum Gage/Amplified

241/242PC SERIES ORDER GUIDE, GAGE AND VACUUM GAGE, Buna-N O-Ring Port Seal

Catalog Listing	Pressure Range psi	Null & Sensitivity Shift (%Span)		Sensitivity V/psi	Overpressure psi Max.	Linearity, %Span B.F.S.L., Max.	Repeatability & Hysteresis %Span Typ.
		25 to -18° 25 to +63°C Max.	25 to -40° 25 to 85°C Typ.				
241PC15M*	0--15	±1.0	±2.0	0.330	45	±1.50	±0.25
242PC15M*	0-15	±1.0	±2.0	0.330	45	±1.50	±0.25
242PC30M*	0-30	±1.0	±2.0	0.167	60	±1.50	±0.25
242PC60G	0-60	±1.5	±2.0	0.083	120	±0.50	±0.25
242PC100G	0-100	±1.0	±2.0	0.050	200	±0.50	±0.25
242PC150G	0-150	±1.5	±3.0	0.033	300	±0.50	±0.25
242PC250G	0-250	±1.0	±2.0	0.020	500	±0.50	±0.25

242PC SERIES ORDER GUIDE, GAGE, Ethylene propylene O-Ring Seal

Catalog Listing	Pressure Range psi	Null & Sensitivity Shift (%Span)		Sensitivity V/psi	Overpressure psi Max.	Linearity, %Span B.F.S.L., Max.	Repeatability & Hysteresis %Span Typ.
		25 to -18° 25 to +63°C Max.	25 to -40° 25 to 85°C Typ.				
242PC60GS	0-60	±1.5	±2.0	0.083	120	±0.50	±0.25
242PC100GS	0-100	±1.0	±2.0	0.050	200	±0.50	±0.25
242PC150GS	0-150	±1.5	±3.0	0.033	300	±0.50	±0.25
242PC250GS	0-250	±1.0	±2.0	0.020	500	±0.50	±0.25

243PC SERIES ORDER GUIDE, VACUUM GAGE, Buna-N Port Seal

Catalog Listing	Pressure Range psi	Null & Sensitivity Shift (%Span)		Sensitivity V/psi	Overpressure psi Max.	Linearity, BFSL		Repeatability & Hysteresis %Span Typ.
		25 to -18° 25 to +63°C Max.	25 to -40° 25 to 85°C Typ.			P2 > P1 Max.	P2 < P1 Max.	
243PC15M*	±15	±1	±2.0	0.167	50	±1.50	±0.75	±0.25

* Adhesive between thermoplastic and aluminum instead of O-ring seal.

PORT SEAL O-RING

Material	Resistant To:
Buna-N (general use)	Petroleum products, freon 12 and others
Ethylene propylene	Phosphate esters and others

Pressure Sensors

High Pressure Gage, Vacuum Gage/Amplified

240PC Series

RATIOMETRICITY



SCALING OF 240PC SERIES WITH 8V EXCITATION



Ratiometricity refers to the output voltage being directly proportional to supply voltage. 240PC sensors in this catalog are calibrated at 8 VDC supply voltage to provide a 1-6 volt (5 V Span) output swing. For example, if supply increases by 50% to 12 VDC, the output voltage increased by 50% to 1.5-9 volts (7.5 V Span).

NOTE

The output is not perfectly ratiometric. See Accuracy specifications for the degree of error.

242PC15M	Gage	$V_o = 1 \text{ V at } 0 \text{ psig \& } 6 \text{ V at } 15 \text{ psig}$
241PC15M	Vacuum Gage	$V_o = 1 \text{ V at } 0 \text{ psig \& } 6 \text{ V at } -15 \text{ psig}$
243PC15M	Gage	$V_o = 1 \text{ V at } -15 \text{ psig \& } 6 \text{ V at } 15 \text{ psig}$

NOTE: 241PC sensors are scaled for greater pressure on the P1 side of the chip. 242PC sensors are scaled for greater pressure on the P2 side of the chip. Other scalings available upon request.

Amplified

Pressure Sensors

High Pressure Gage, Vacuum Gage/Amplified

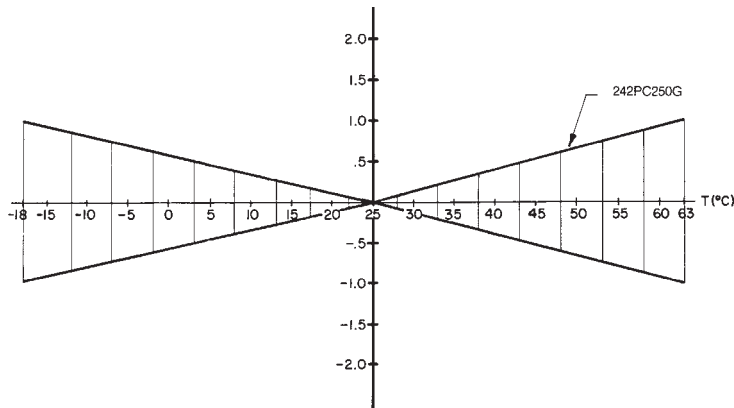
240PC Series

NULL AND SENSITIVITY TEMPERATURE SHIFT

Amplified pressure sensors are 100% tested to ensure that the maximum null and sensitivity temperature shift does not exceed the specification. The diagram illustrates how null and sensitivity shift relates to temperature. Note that the maximum shift occurs at temperature extremes. Therefore, if a sensor is not exposed to the entire temperature range, the maximum null and sensitivity shift will actually be less than the value specified.

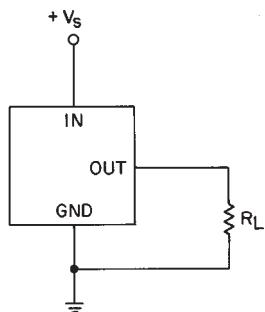
This diagram indicates the temperature shift pertaining to a few listings. Maximum null and sensitivity shift varies from listing to listing.

Null and Sensitivity Shift (% Span)



ELECTRICAL CONNECTIONS

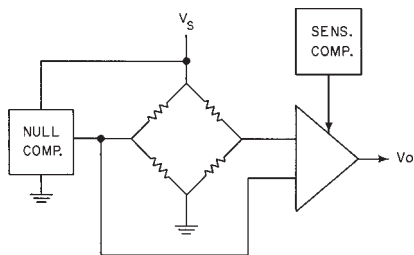
Voltage Excitation



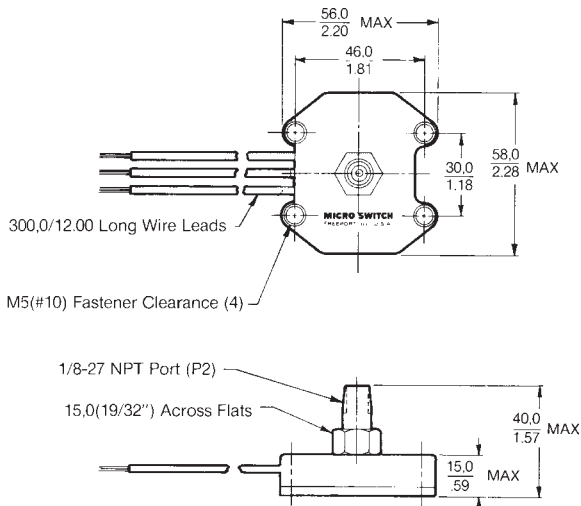
NOTES

1. Terminals are labeled on the sensor.
2. Input and output share a common ground.
3. R_L must be greater than or equal to 3000 ohms.

INTERNAL CIRCUITRY



MOUNTING DIMENSIONS (For reference only)



Leadwires

- 1 - Red, V_s
- 2 - Black, Ground (-)
- 3 - Green, Output



Компания «ЭлектроПласт» предлагает заключение долгосрочных отношений при поставках импортных электронных компонентов на взаимовыгодных условиях!

Наши преимущества:

- Оперативные поставки широкого спектра электронных компонентов отечественного и импортного производства напрямую от производителей и с крупнейших мировых складов;
- Поставка более 17-ти миллионов наименований электронных компонентов;
- Поставка сложных, дефицитных, либо снятых с производства позиций;
- Оперативные сроки поставки под заказ (от 5 рабочих дней);
- Экспресс доставка в любую точку России;
- Техническая поддержка проекта, помощь в подборе аналогов, поставка прототипов;
- Система менеджмента качества сертифицирована по Международному стандарту ISO 9001;
- Лицензия ФСБ на осуществление работ с использованием сведений, составляющих государственную тайну;
- Поставка специализированных компонентов (Xilinx, Altera, Analog Devices, Intersil, Interpoint, Microsemi, Aeroflex, Peregrine, Syfer, Eurofarad, Texas Instrument, Miteq, Cobham, E2V, MA-COM, Hittite, Mini-Circuits, General Dynamics и др.);

Помимо этого, одним из направлений компании «ЭлектроПласт» является направление «Источники питания». Мы предлагаем Вам помощь Конструкторского отдела:

- Подбор оптимального решения, техническое обоснование при выборе компонента;
- Подбор аналогов;
- Консультации по применению компонента;
- Поставка образцов и прототипов;
- Техническая поддержка проекта;
- Защита от снятия компонента с производства.



Как с нами связаться

Телефон: 8 (812) 309 58 32 (многоканальный)

Факс: 8 (812) 320-02-42

Электронная почта: org@eplast1.ru

Адрес: 198099, г. Санкт-Петербург, ул. Калинина, дом 2, корпус 4, литера А.