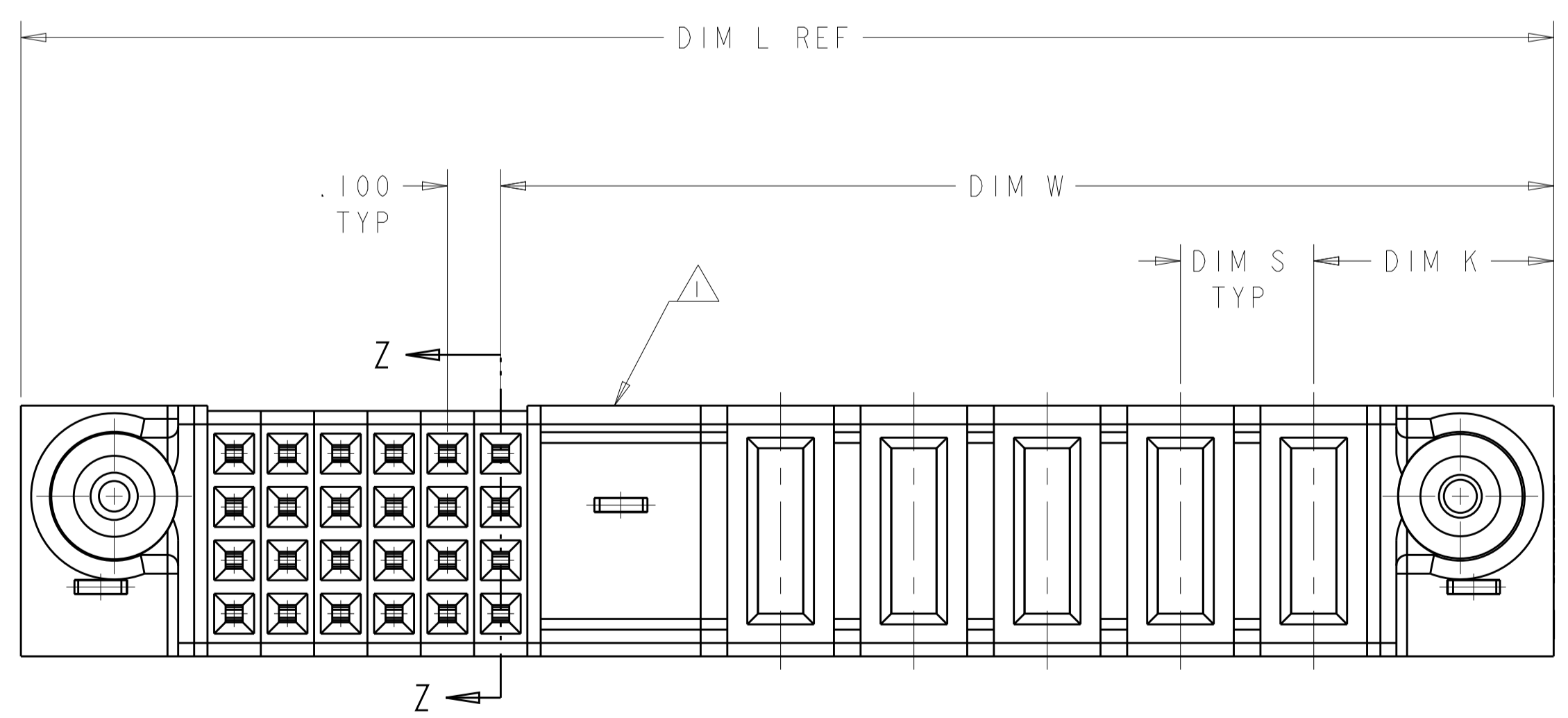
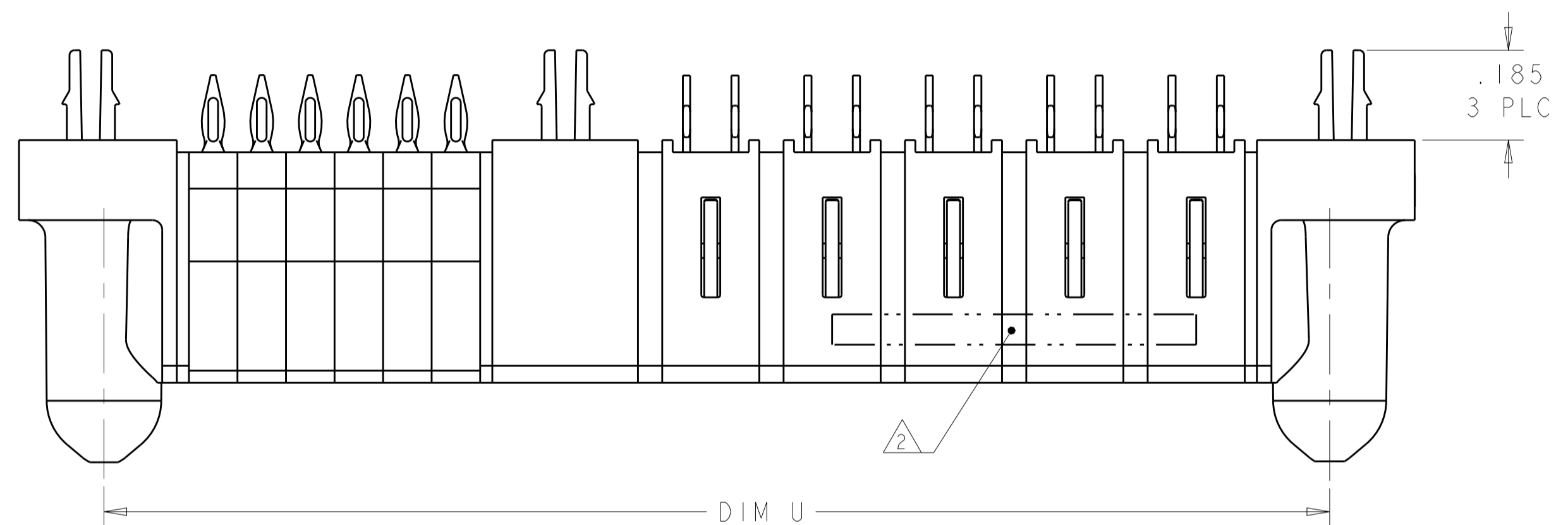
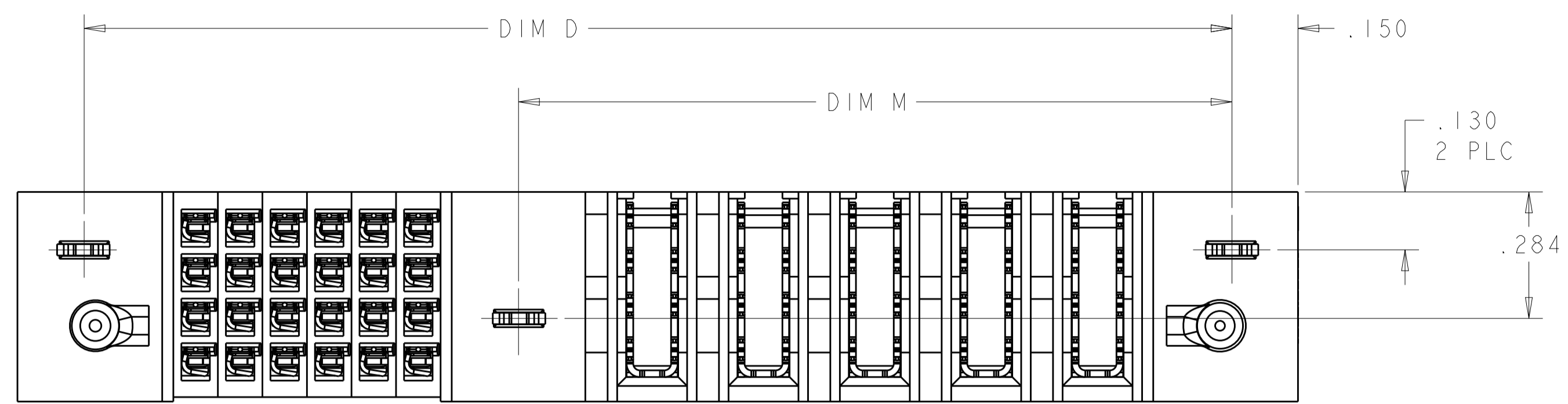
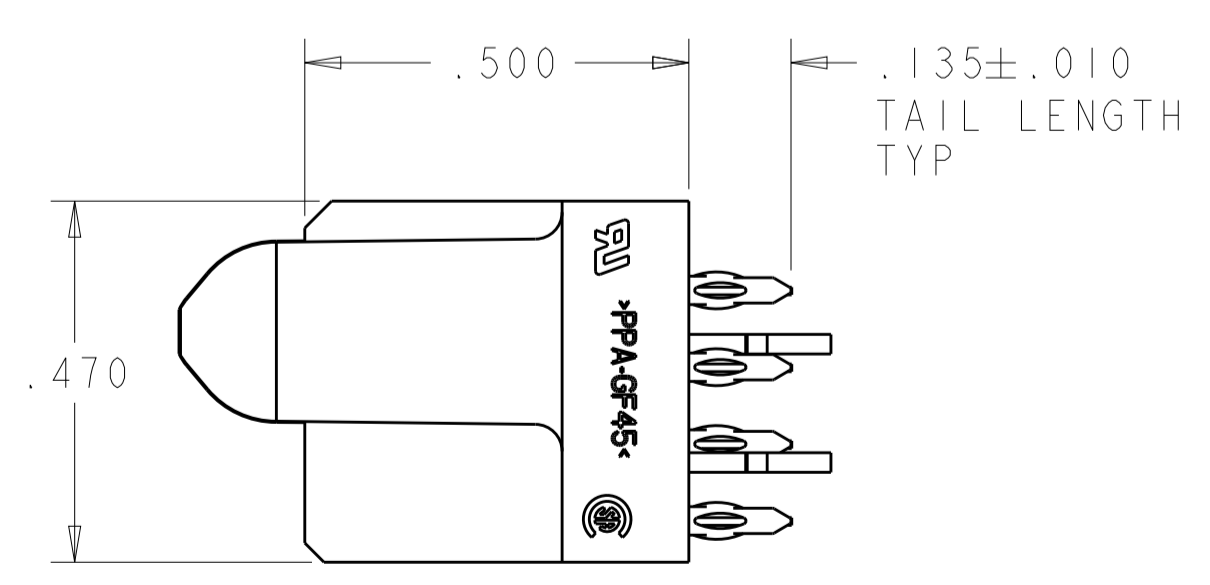
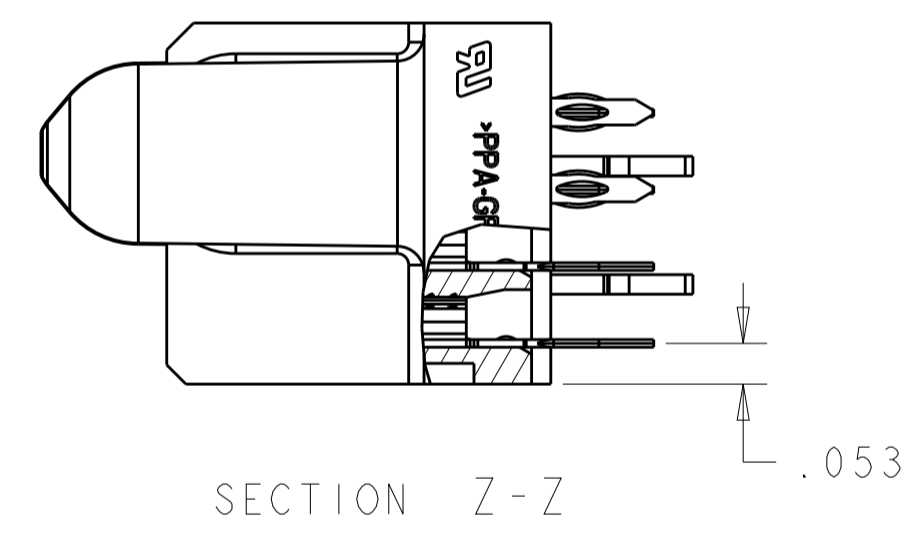


LOC		DIST		REVISIONS			
P	LTN	DESCRIPTION	DATE	DMN	APVD		
G7		REV PER ECR-09-008079	08APR2009	OL	SY		
H		REV PER ECR-12-003783	28FEB2012	CZ	SZ		
H2		ADD NEW PART -29	28JAN2015	AY	SZ		



- 1 OPTIONAL CENTER MODULE, WITH Ø.150 THRU HOLE OR HOLD DOWN FEATURE
- 2 "AMP", PART NUMBER, AND DATE CODE TO BE MARKED IN AREA SHOWN  
PARTS UNDER 2.00 LONG MAY BE MARKED ON BOTH SIDES
- 3 MATERIAL: HOUSING - GLASS FILLED HIGH TEMP THERMO PLASTIC, UL94 V-0  
SIGNAL CONTACT - HIGH CONDUCTIVITY COPPER ALLOY  
POWER CONTACT - HIGH CONDUCTIVITY COPPER ALLOY
- 4 CONTACT PLATING: NOBLE METAL PLATING ON CONTACT FUNCTIONAL  
AREA OF POWER AND SIGNAL CONTACTS
- 5 MECHANICAL CONNECTOR KEEP OUT ZONE
- 6 DATUM AND BASIC DIMENSIONS ESTABLISHED BY CUSTOMER
- 7 PCB - ALL HOLE DIAMETERS ARE FINISHED HOLE SIZES
- 8 PCB - .0453±.0010 DRILLED HOLES PLATED WITH .0003 MIN Sn  
OVER .001 TO .003 CU PLATING TO ACHIEVE  
A .040±.003 DIA HOLE
- 9 VARIABLE DIMENSIONS PLEASE REFER TO TABLE FOR DETAIL.

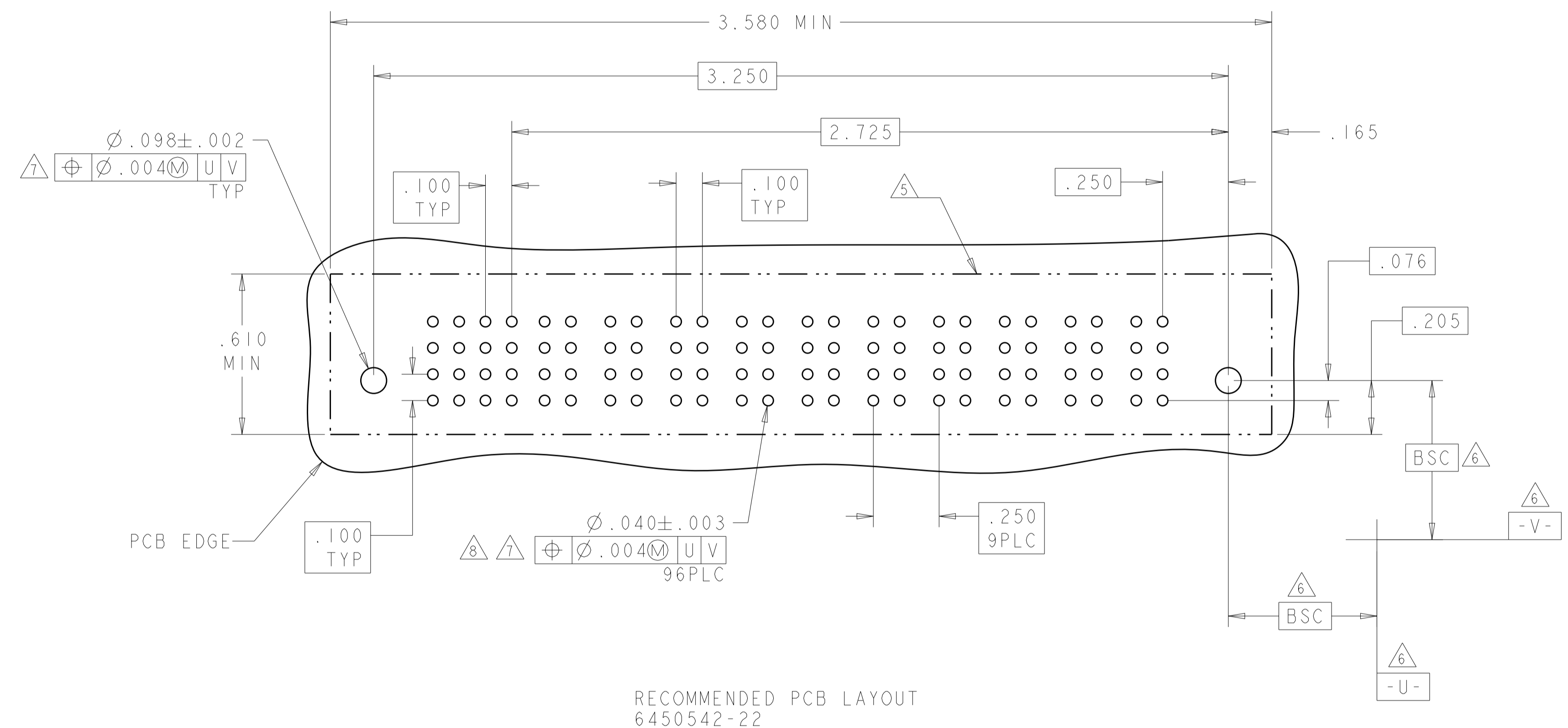


THIS DRAWING IS A CONTROLLED DOCUMENT.		DMN: R.GRZYBOWSKI 28FEB95	TE Connectivity
DIMENSIONS: INCHES		CHK: M.PERCHEKKE 28FEB05	
TOLERANCES UNLESS OTHERWISE SPECIFIED:		APVD: M.PERCHEKKE	NAME: VERTICAL RECEPTACLE ASSEMBLY WITH GUIDES MULTI-BEAM XL
0 PLC ±.01	1 PLC ±.01	PRODUCT SPEC: 108-1973	SIZE: A1
2 PLC ±.01	3 PLC ±.005	APPLICATION SPEC: 114-13038	CAGE CODE: 6450542
4 PLC ±.0020	ANGLES ±.7°	WEIGHT: -	RESTRICTED TO: -
MATERIAL: 3	FINISH: 4	CUSTOMER DRAWING	SCALE: 4:1 SHEET 1 OF 10 REV: H2

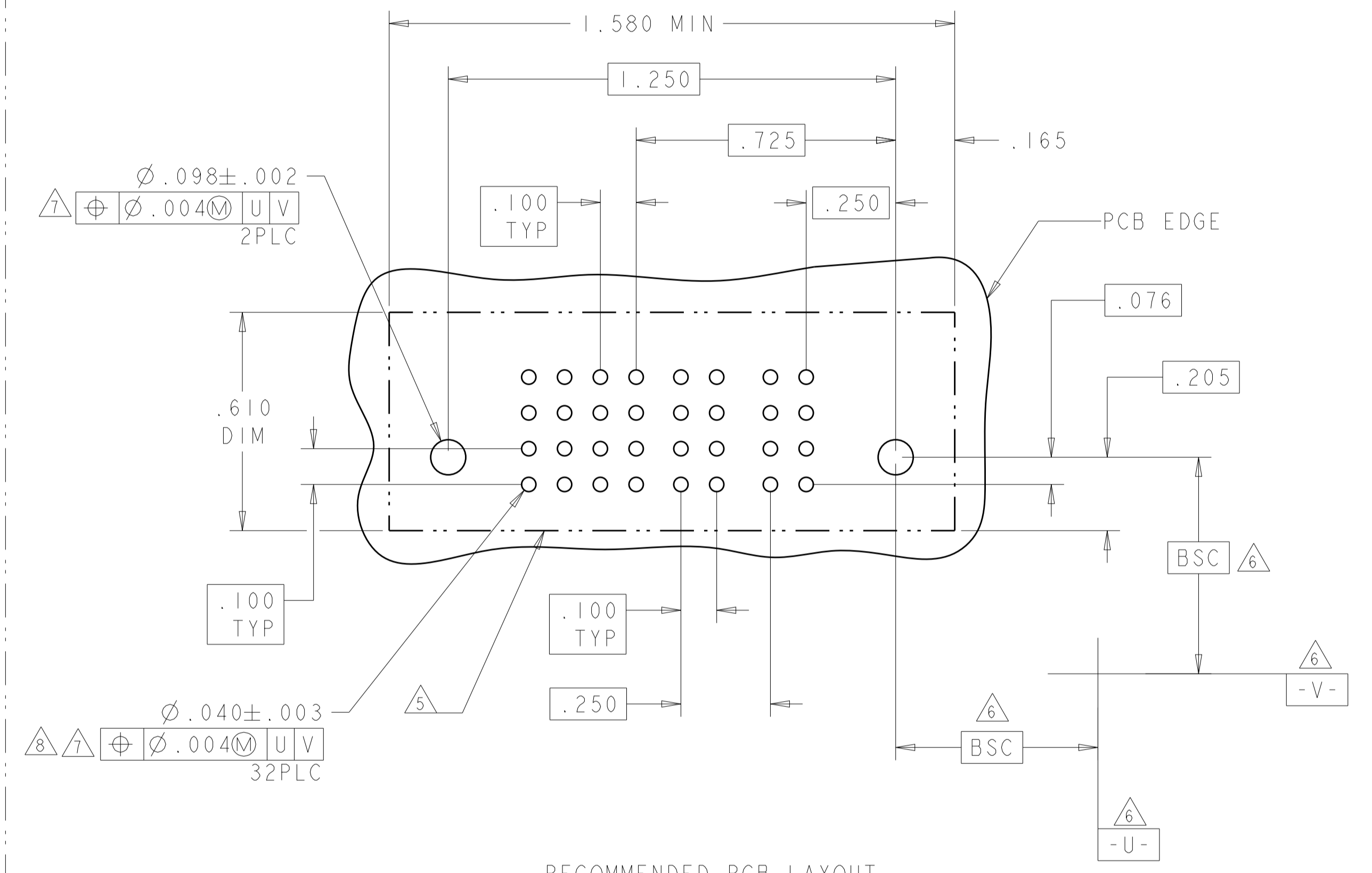
LOC		DIST		REVISIONS			
ES	00	P	LTN	DESCRIPTION	DATE	OWN	APVD
				SEE SHEET 1			

PART NUMBER	ROWS	SIGNAL				POWER										
		4	3	2	1	P10	P9	P8	P7	P6	P5	P4	P3	P2	P1	
2-6450542-2	D C B A	AP	AP	AP	AP	GS	GS	GS	GS	GS	GS	GS	GS	GS	GS	
		HD														HD
		10P + 16S														

PART NUMBER	ROWS	SIGNAL				POWER		
		4	3	2	1	P2	P1	
2-6450542-3	D C B A	AP	AP	AP	AP	GS	GS	
		HD						HD
		2P + 16S						



RECOMMENDED PCB LAYOUT  
6450542-22



RECOMMENDED PCB LAYOUT  
6450542-23

H2	DIM U	DIM S	DIM W	DIM D	DIM M	DIM L	DIM K	DESCRIPTION	PART NUMBER
	1.500	.250	1.375	1.550	-	1.850	.450	4P + 8S	2-6450542-9
	4.425	.200	2.200	4.475	-	4.775	.450	9P + 92S	2-6450542-7
	3.350	.200	2.825	3.400	-	3.700	.450	12HDP + 24S	2-6450542-5
	2.825	.200	2.300	2.875	-	3.175	.475	3ACP + 4P + 24S	2-6450542-4
	1.200	.250	.875	1.250	-	1.550	.450	2P + 16S	2-6450542-3
	3.200	.250	2.875	3.250	-	3.550	.450	10P + 16S	2-6450542-2
	2.300	.250	1.875	2.350	-	2.650	.450	6P + 20S	2-6450542-0
	1.800	.250	1.275	1.850	-	2.150	.450	4P + 24S	1-6450542-9
	2.900	.250	2.375	2.950	-	3.250	.450	8P + 24S	1-6450542-8
	2.100	.250	1.375	2.150	-	2.450	.450	4P + 32S	1-6450542-7
	2.100	.250	1.875	2.150	-	2.450	.450	6P + 12S	1-6450542-6
	2.900	.200	2.425	3.000	-	3.300	.450	10HDP + 24S	1-6450542-5
	2.000	.250	.875	-	-	2.350	.450	2P + 48S	1-6450542-4
	5.900	.250	5.375	5.950	-	6.250	.450	20P + 24S	1-6450542-2
	1.400	.250	.875	1.450	-	1.750	.450	2P + 24S	1-6450542-1
	1.100	-	.575	1.150	-	1.450	.425	1P + 24S	1-6450542-0
	4.425	.250	3.875	4.475	-	4.775	.450	14P + 24S	6450542-9
	3.050	.250	2.125	3.100	-	3.400	.450	7P + 40S	6450542-8
	3.800	-	3.550	3.850	-	4.150	.475	11P + 12S	6450542-4
	3.800	-	3.550	3.850	-	4.150	.475	11P + 12S	6450542-3
	3.000	.250	2.375	3.050	-	3.350	.450	8P + 28S	6450542-2
	1.600	.250	1.375	1.650	-	1.950	.450	4P + 12S	6450542-1

THIS DRAWING IS A CONTROLLED DOCUMENT.

DIMENSIONS: INCHES

TOLERANCES UNLESS OTHERWISE SPECIFIED:

0 PLC	±
1 PLC	±.01
2 PLC	±.01
3 PLC	±.005
4 PLC	±.002
ANGLES	±.0020

MATERIAL: . . . FINISH: . . .

OWN: R. GRZYBOWSKI 28FEB95  
CHK: M. PERCHERKE 28FEB05  
APVD: M. PERCHERKE

PRODUCT SPEC: 108-1973  
APPLICATION SPEC: 114-13038

WEIGHT: . . .

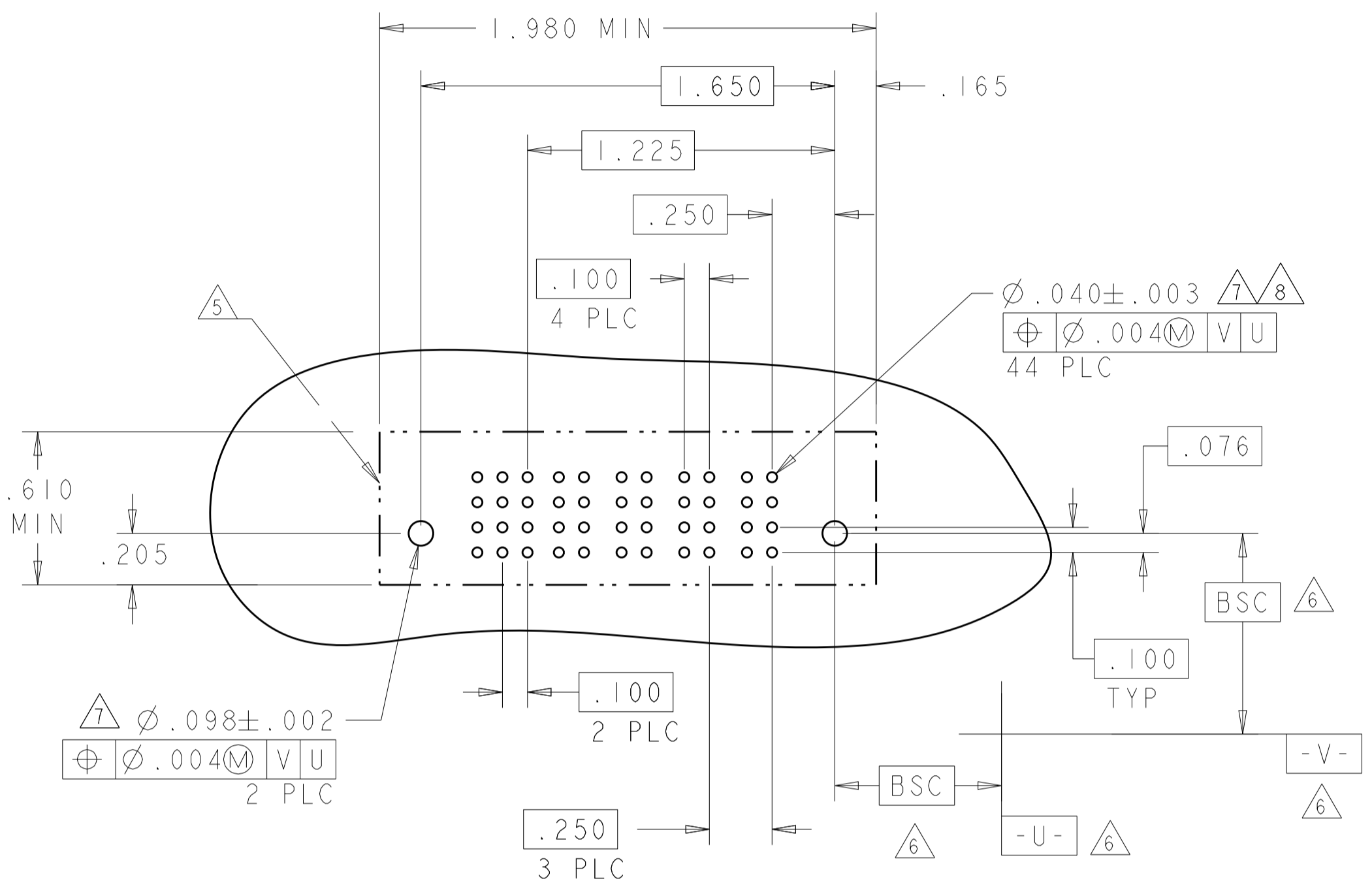
CUSTOMER DRAWING

SCALE: 4:1 SHEET 2 OF 10 REV: H2

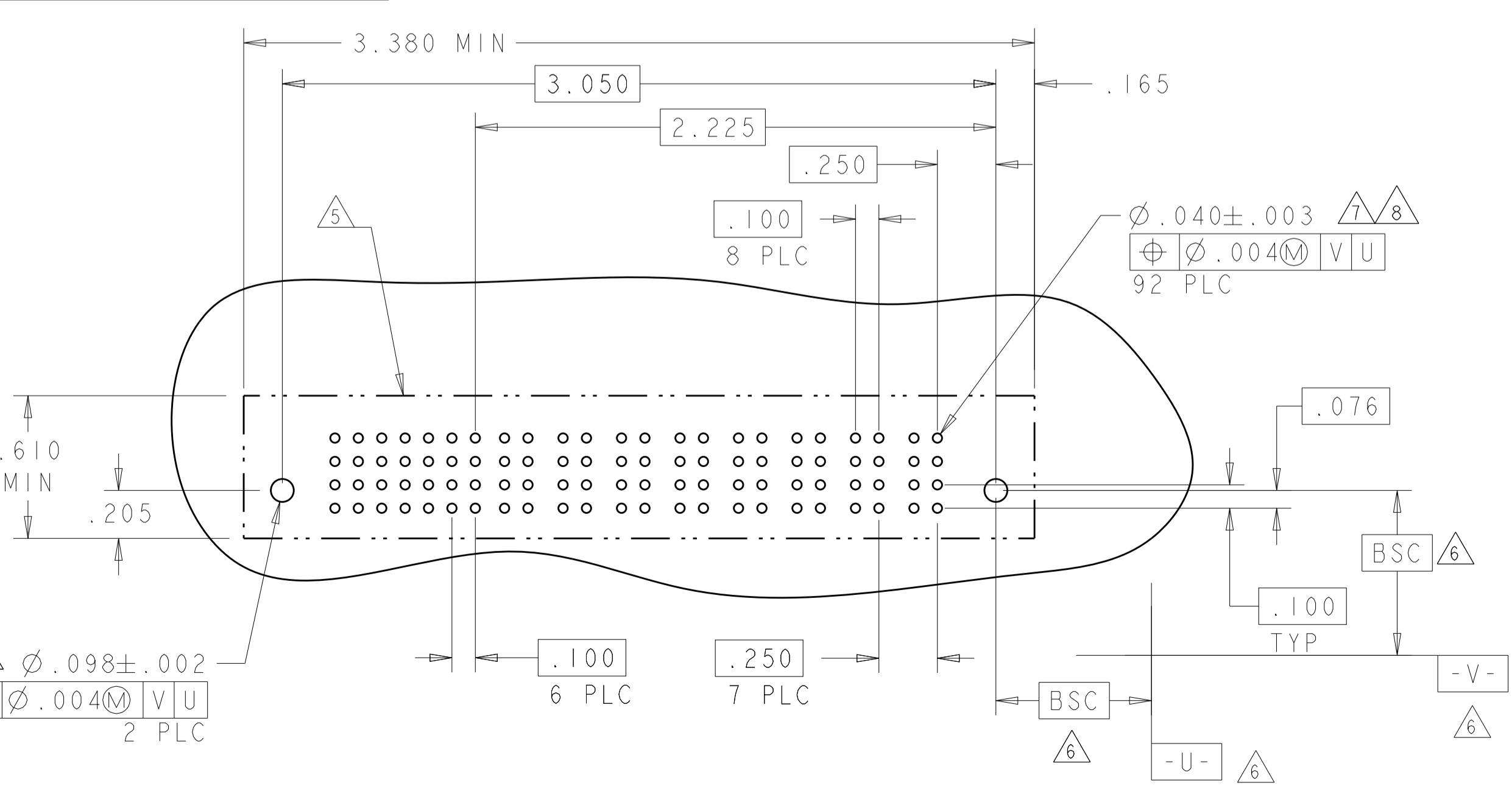
TE Connectivity  
VERTICAL RECEPTACLE ASSEMBLY WITH GUIDES MULTI-BEAM XL

SIZE: A1 CAGE CODE: 6450542

PART NUMBER	ROWS	SIGNAL			POWER			
		3	2	1	P4	P3	P2	P1
6450542-1	D	AP	AP	AP	GP	GP	GP	GP
	C	AP	AP	AP				
	B	AP	AP	AP				
	A	AP	AP	AP				



PART NUMBER	ROWS	SIGNAL							POWER								
		7	6	5	4	3	2	1	P8	P7	P6	P5	P4	P3	P2	P1	
6450542-2	D	AP	AP	AP	AP	AP	AP	AP	GP	GP	GP	GP	GP	GP	GP	GP	
	C	AP	AP	AP	AP	AP	AP	AP									
	B	AP	AP	AP	AP	AP	AP	AP									AP
	A	AP	AP	AP	AP	AP	AP	AP									AP



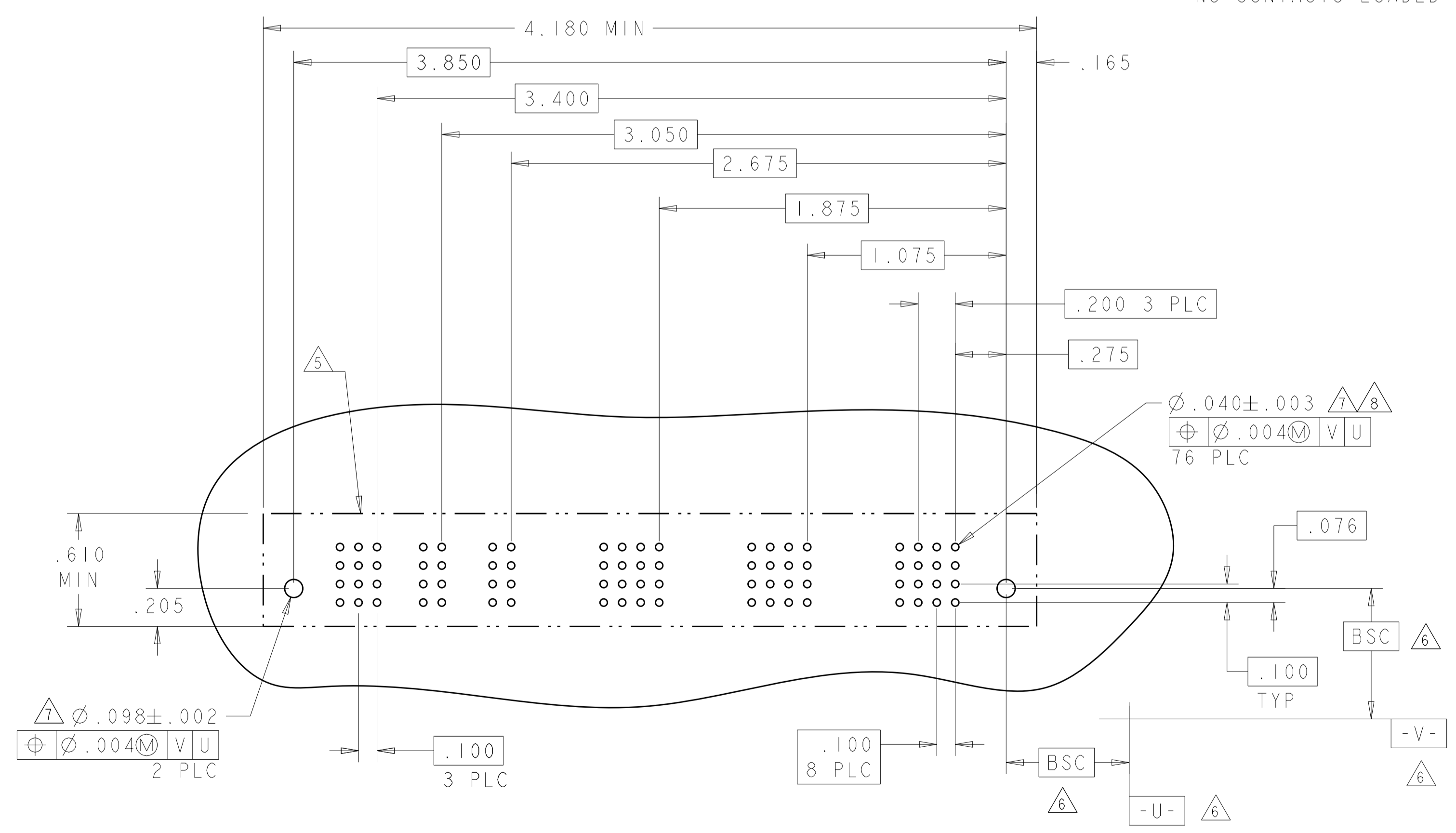
LOC	DIST	REV	DATE	APP'D
ES	00			

PART NUMBER	ROWS	SIGNAL			POWER											
		3	2	1	P11	P10	P9	P8	P7	P6	P5	P4	P3	P2	P1	
6450542-3	D	AP	AP	AP	GP	GP	GP	GP	GP	GP	GP	GP	GP	GP	GP	GP
	C	AP	AP	AP												
	B	AP	AP	AP												
	A	AP	AP	AP												

NO CONTACTS LOADED

PART NUMBER	ROWS	SIGNAL			POWER											
		3	2	1	P11	P10	P9	P8	P7	P6	P5	P4	P3	P2	P1	
6450542-4	D	AP	AP	AP	GP	GP	GP	GP	GP	GP	GP	GP	GP	GP	GP	GP
	C	AP	AP	AP												
	B	AP	AP	AP												
	A	AP	AP	AP												

NO CONTACTS LOADED



AP	SIGNAL PRESS FIT
GS	POWER PRESS FIT, STD
GP	POWER PRESS FIT, MFBL
CODE	TAIL LENGTH

THIS DRAWING IS A CONTROLLED DOCUMENT.

OWN: R. GRZYBOWSKI 28FEB95  
 CHG: M. PERCHERKE 28FEB05  
 APVD: M. PERCHERKE

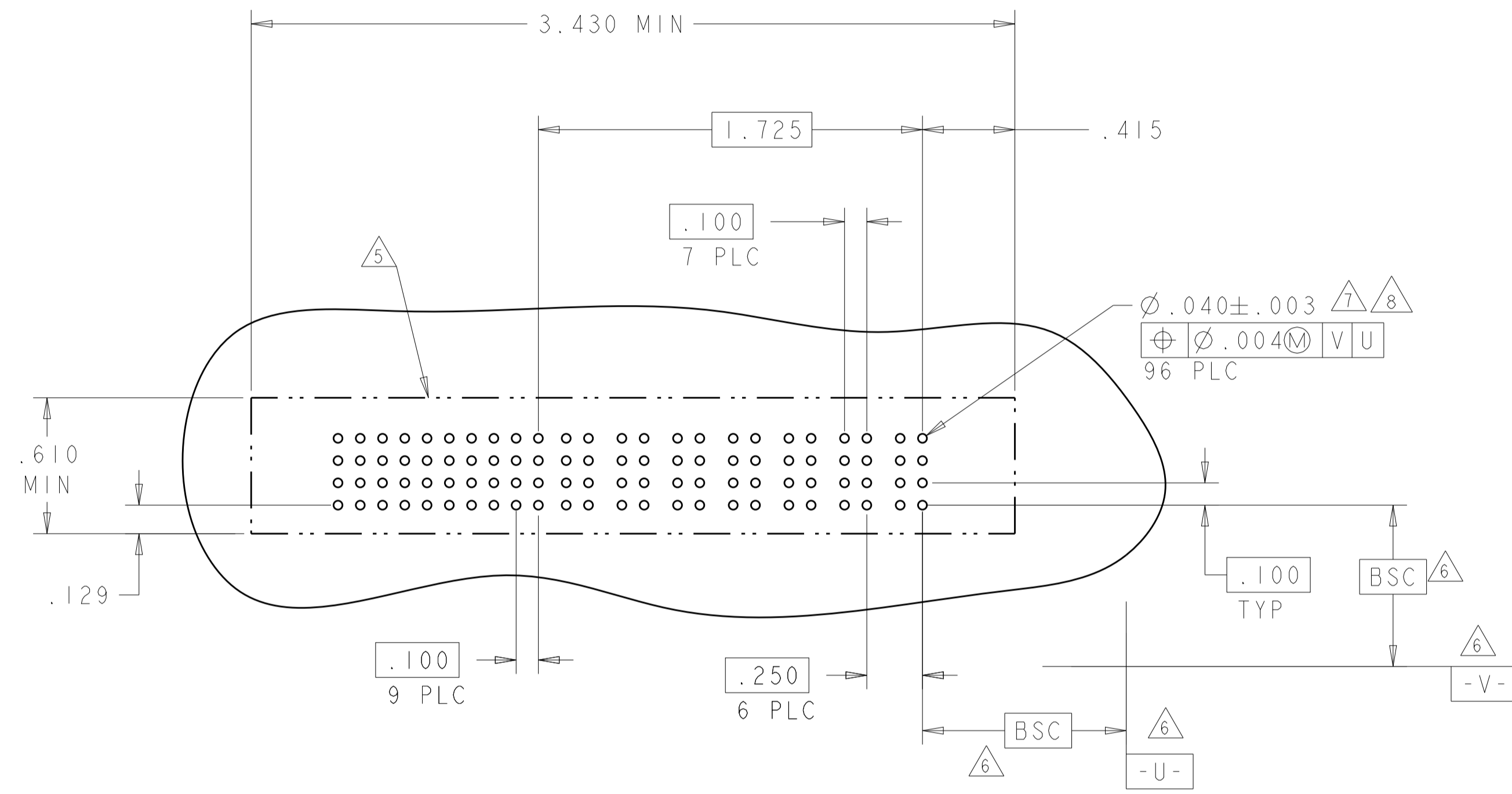
PRODUCT SPEC: VERTICAL RECEPTACLE ASSEMBLY WITH GUIDES MULTI-BEAM XL  
 APPLICATION SPEC: 108-1973  
 ANGLE SPEC: 114-13038

SIZE: A1  
 CAGE CODE: 100779  
 DRAWING NO: 6450542  
 SHEET 3 OF 10

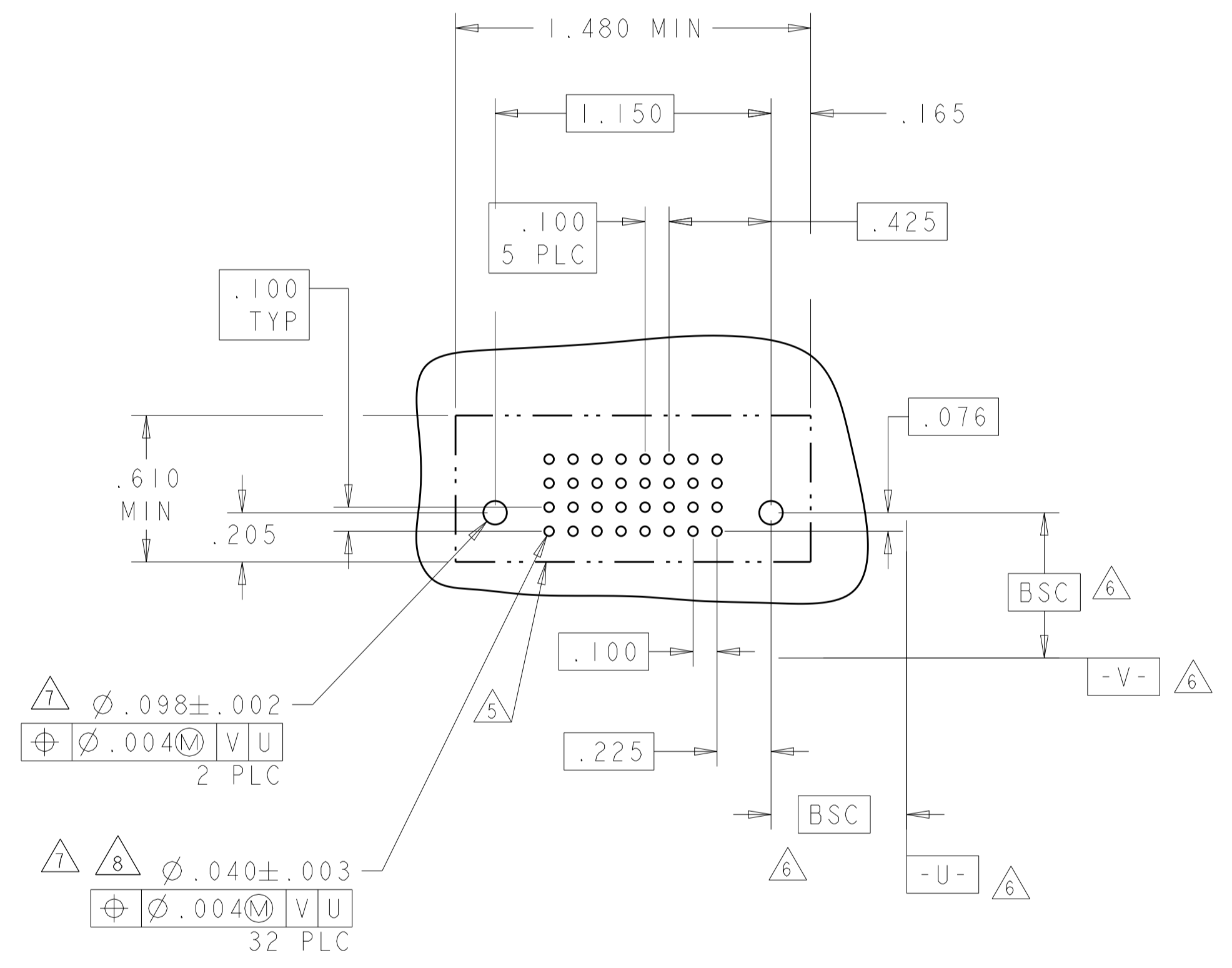
SCALE: 1:1

LOC	DIST	REVISIONS					
ES	00	P	LTN	DESCRIPTION	DATE	OWN	APVD
				SEE SHEET 1			

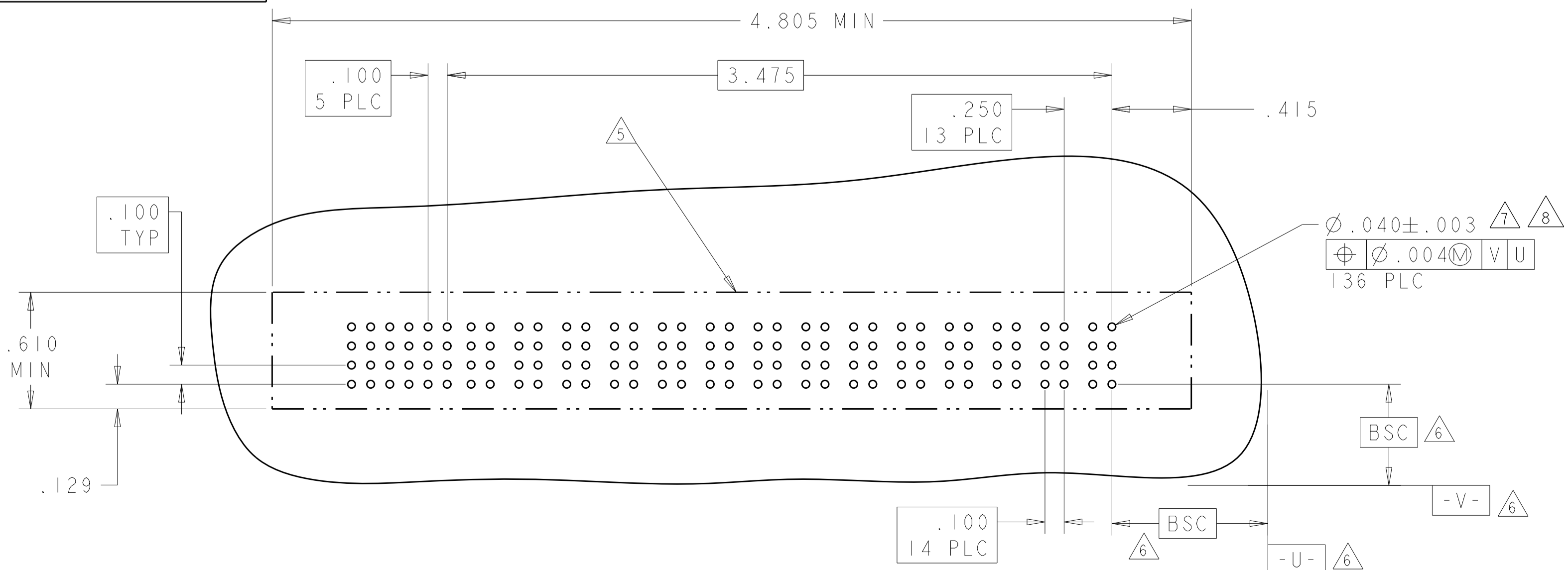
PART NUMBER	ROWS	SIGNAL										POWER						
		10	9	8	7	6	5	4	3	2	1	P7	P6	P5	P4	P3	P2	P1
6450542-8	D C B A	AP	AP	AP	AP	AP	AP	AP	AP	AP	AP	GP	GP	GP	GP	GP	GP	GP
		AP	AP	AP	AP	AP	AP	AP	AP	AP	AP	GP	GP	GP	GP	GP	GP	GP
		AP	AP	AP	AP	AP	AP	AP	AP	AP	AP	GP	GP	GP	GP	GP	GP	GP
		AP	AP	AP	AP	AP	AP	AP	AP	AP	AP	GP	GP	GP	GP	GP	GP	GP
7P + 40S																		



PART NUMBER	ROWS	SIGNAL					POWER	
		6	5	4	3	2	1	P1
1-6450542-0	D C B A	AP	AP	AP	AP	AP	AP	GP
		AP	AP	AP	AP	AP	AP	
		AP	AP	AP	AP	AP	AP	
		AP	AP	AP	AP	AP	AP	
IP + 24S								



PART NUMBER	ROWS	SIGNAL						POWER														
		6	5	4	3	2	1	P14	P13	P12	P11	P10	P9	P8	P7	P6	P5	P4	P3	P2	P1	
6450542-9	D C B A	AP	AP	AP	AP	AP	AP	GP	GP	GP	GP	GP	GP	GP	GP	GP	GP	GP	GP	GP	GP	GP
		AP	AP	AP	AP	AP	AP	GP	GP	GP	GP	GP	GP	GP	GP	GP	GP	GP	GP	GP	GP	GP
		AP	AP	AP	AP	AP	AP	GP	GP	GP	GP	GP	GP	GP	GP	GP	GP	GP	GP	GP	GP	GP
		AP	AP	AP	AP	AP	AP	GP	GP	GP	GP	GP	GP	GP	GP	GP	GP	GP	GP	GP	GP	GP
14P + 24S																						



THIS DRAWING IS A CONTROLLED DOCUMENT.

DIMENSIONS: INCHES	TOLERANCES UNLESS OTHERWISE SPECIFIED: 0 PLC ±. 1 PLC ±.01 2 PLC ±.01 3 PLC ±.005 4 PLC ±.0020 ANGLES ±.2°	OWN: R. GRZYBOWSKI 28FEB95 CHK: M. PERCHERKE 28FEB05 APVD: M. PERCHERKE PRODUCT SPEC 108-1973 APPLICATION SPEC 114-13038 WEIGHT CUSTOMER DRAWING	NAME: VERTICAL RECEPTACLE ASSEMBLY WITH GUIDES MULTI-BEAM XL SIZE: A1 CAGE CODE: 6450542 SCALE: 4:1 SHEET: 4 OF 10 REV: H2
-----------------------	--	--	---

STE TE Connectivity

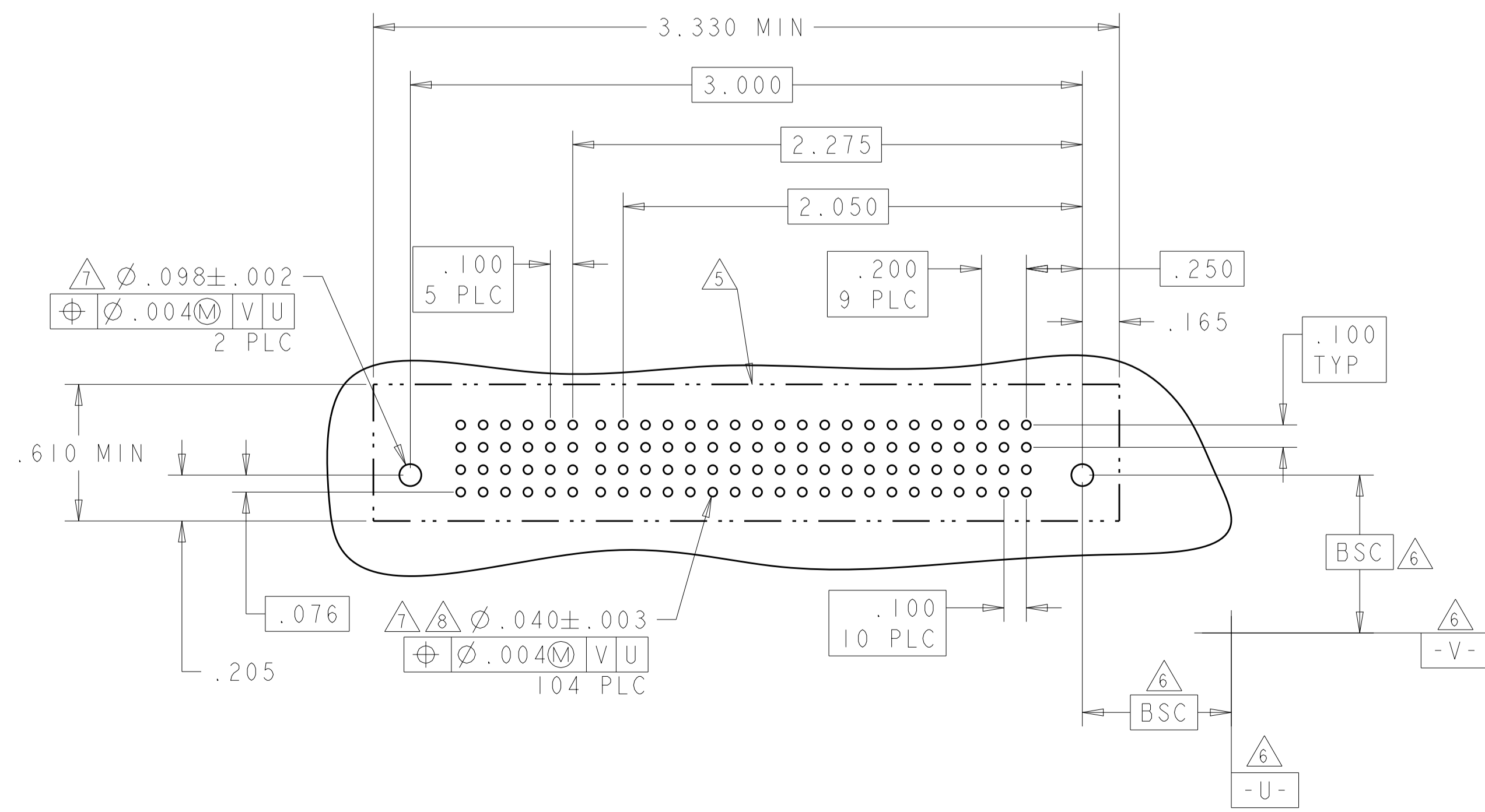
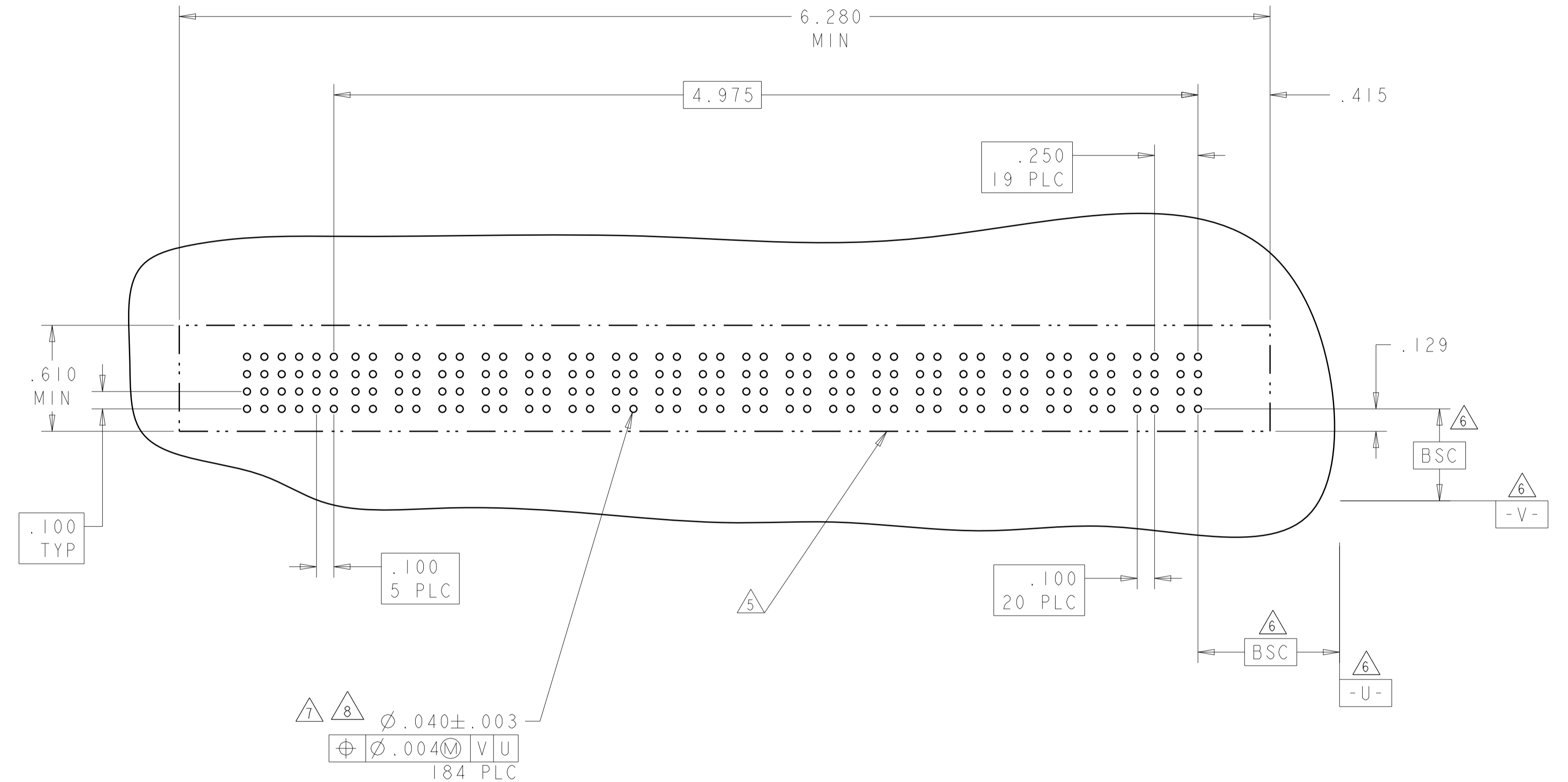
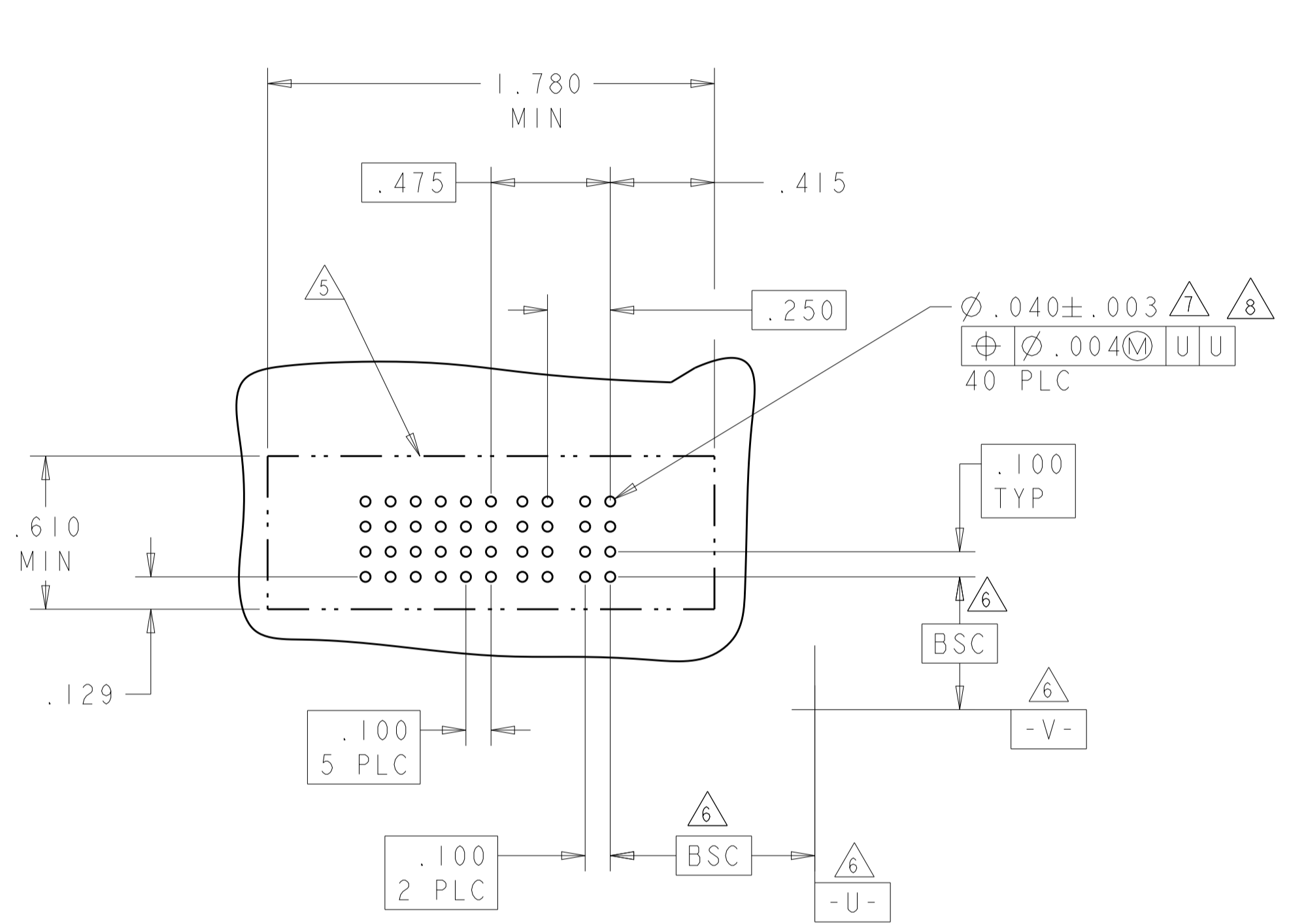
LOC	DIST	REV	DATE	APPD
ES	00			

REVISIONS		DATE	OWN	APPD
1	SEE SHEET 1			

PART NUMBER	ROWS	SIGNAL						POWER	
		6	5	4	3	2	1	P2	P1
1-6450542-1	D	AP	AP	AP	AP	AP	AP	GP	GP
	C	AP	AP	AP	AP	AP	AP		
	B	AP	AP	AP	AP	AP	AP		
	A	AP	AP	AP	AP	AP	AP		
2P + 24S									

PART NUMBER	ROWS	SIGNAL						POWER																				
		6	5	4	3	2	1	P20	P19	P18	P17	P16	P15	P14	P13	P12	P11	P10	P9	P8	P7	P6	P5	P4	P3	P2	P1	
1-6450542-2	D	AP	AP	AP	AP	AP	AP	GP	GP	GP	GP	GP	GP	GP	GP	GP	GP	GP	GP	GP	GP	GP	GP	GP	GP	GP	GP	
	C	AP	AP	AP	AP	AP	AP																					
	B	AP	AP	AP	AP	AP	AP																					
	A	AP	AP	AP	AP	AP	AP																					
20P + 24S																												



PART NUMBER	ROWS	SIGNAL						POWER									
		6	5	4	3	2	1	P10	P9	P8	P7	P6	P5	P4	P3	P2	P1
1-6450542-5	D	AP	AP	AP	AP	AP	AP	GP	GP	GP	GP	GP	GP	GP	GP	GP	GP
	C	AP	AP	AP	AP	AP	AP										
	B	AP	AP	AP	AP	AP	AP										
	A	AP	AP	AP	AP	AP	AP										
10HDP + 24S																	

THIS DRAWING IS A CONTROLLED DOCUMENT.

OWN: R. GRZYBOWSKI 28FEB95  
 CHK: M. PERCHERKE 28FEB05  
 APVD: M. PERCHERKE

TE Connectivity

NAME: VERTICAL RECEPTACLE ASSEMBLY WITH GUIDES MULTI-BEAM XL

PRODUCT SPEC: 108-1973  
 APPLICATION SPEC: 114-13038

SIZE: A1  
 CAGE CODE: 100779  
 DRAWING NO: 6450542

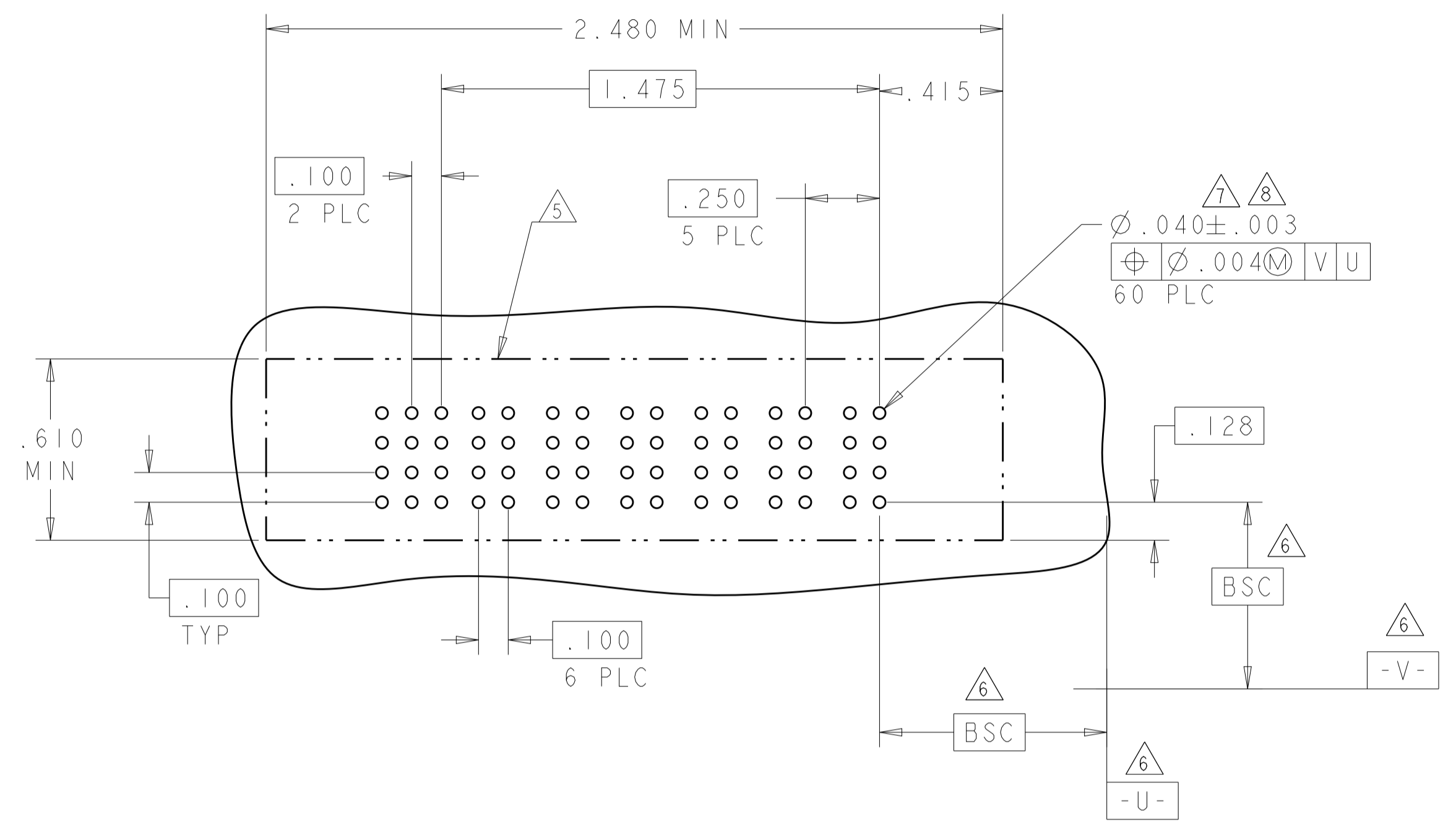
SCALE: 4:1  
 SHEET: 5 OF 10  
 REV: H2

LOC	DIST	REV	DATE	BY	APPV
ES	00				

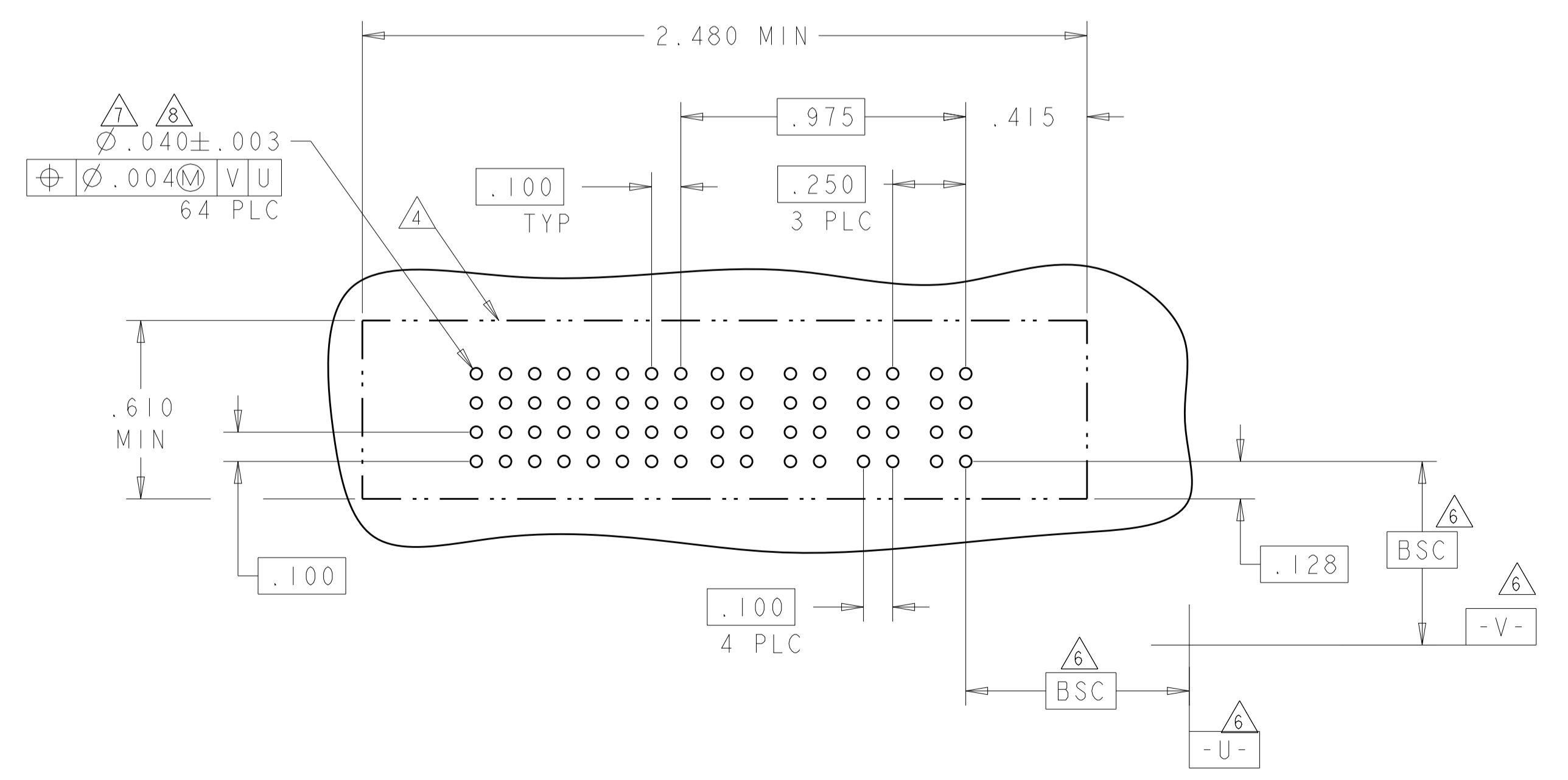
  

REVISIONS			
NO	DATE	DESCRIPTION	BY
-	-	SEE SHEET 1	-

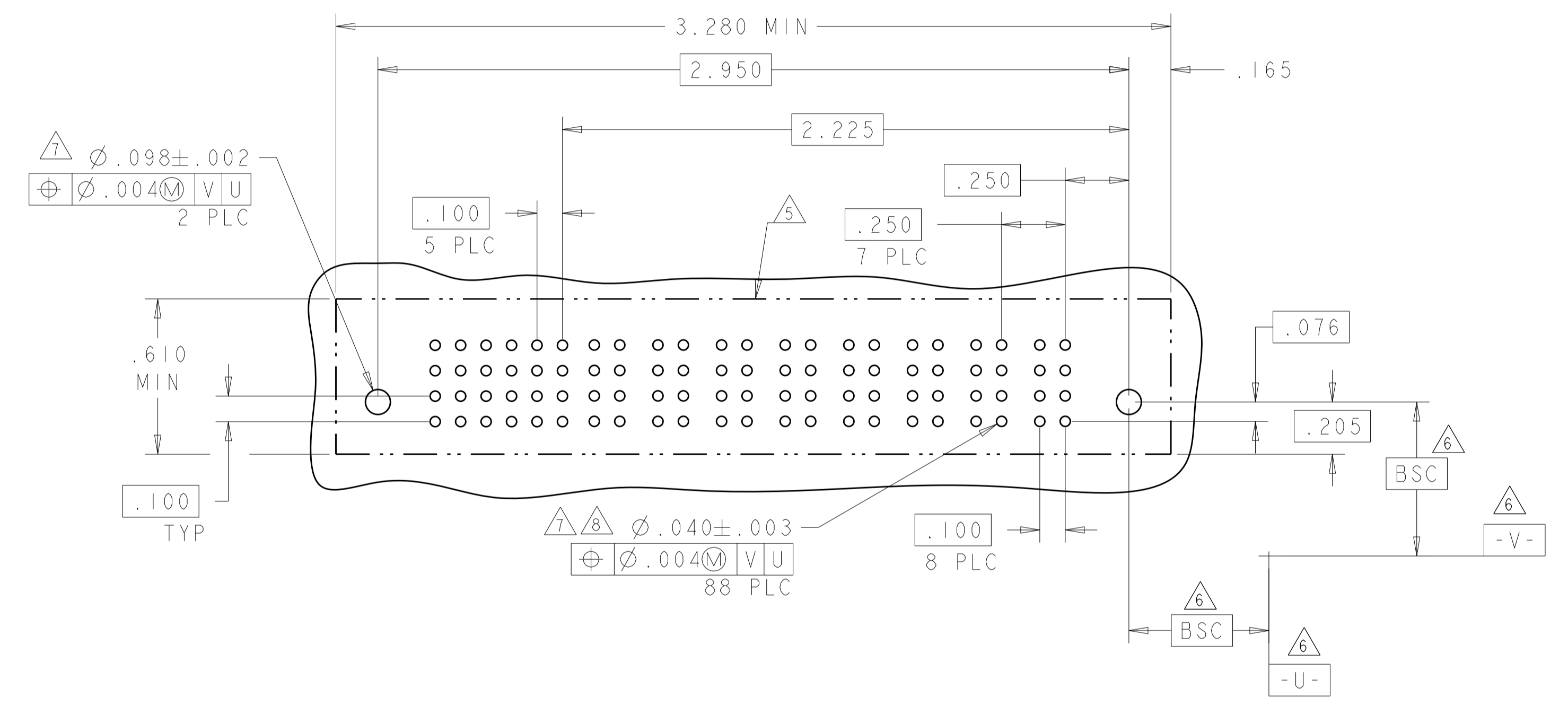
ASSY PART NUMBER	ROWS	SIGNAL					POWER				
		3	2	1	P6	P5	P4	P3	P2	P1	
1-6450542-6	D C B A	AP	AP	AP							
		AP	AP	AP	GS	GS	GS	GS	GS		
		AP	AP	AP							
		AP	AP	AP							
6P + 12S											



ASSY PART NUMBER	ROWS	SIGNAL								POWER			
		8	7	6	5	4	3	2	1	P4	P3	P2	P1
1-6450542-7	D C B A	AP	AP	AP	AP	AP	AP	AP	AP				
		AP	AP	AP	AP	AP	AP	AP	AP	GS	GS	GS	GS
		AP	AP	AP	AP	AP	AP	AP	AP				
		AP	AP	AP	AP	AP	AP	AP	AP				
4P + 32S													



PART NUMBER	ROWS	SIGNAL						POWER							
		6	5	4	3	2	1	P8	P7	P6	P5	P4	P3	P2	P1
1-6450542-8	D C B A	AP	AP	AP	AP	AP	AP								
		AP	AP	AP	AP	AP	AP	GP	GP	GP	GP	GP	GP	GP	
		AP	AP	AP	AP	AP	AP								
		AP	AP	AP	AP	AP	AP								
8P + 24S															



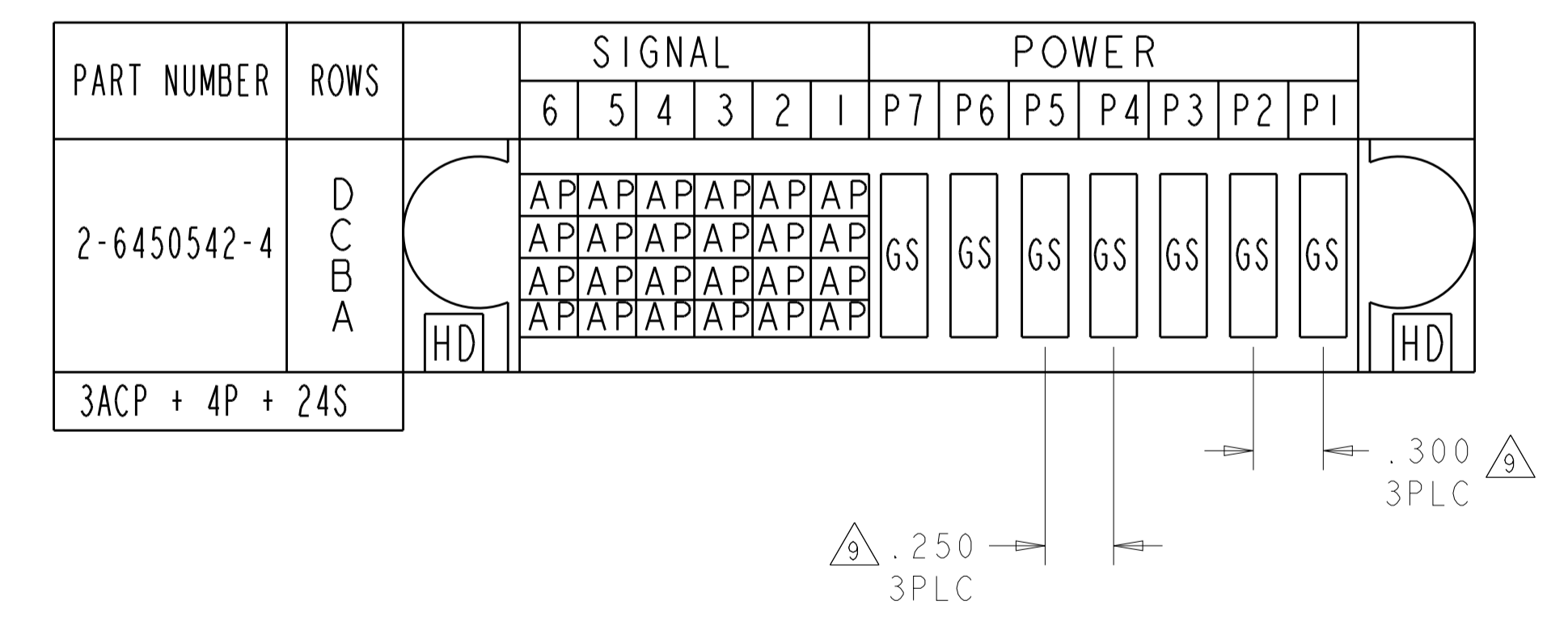
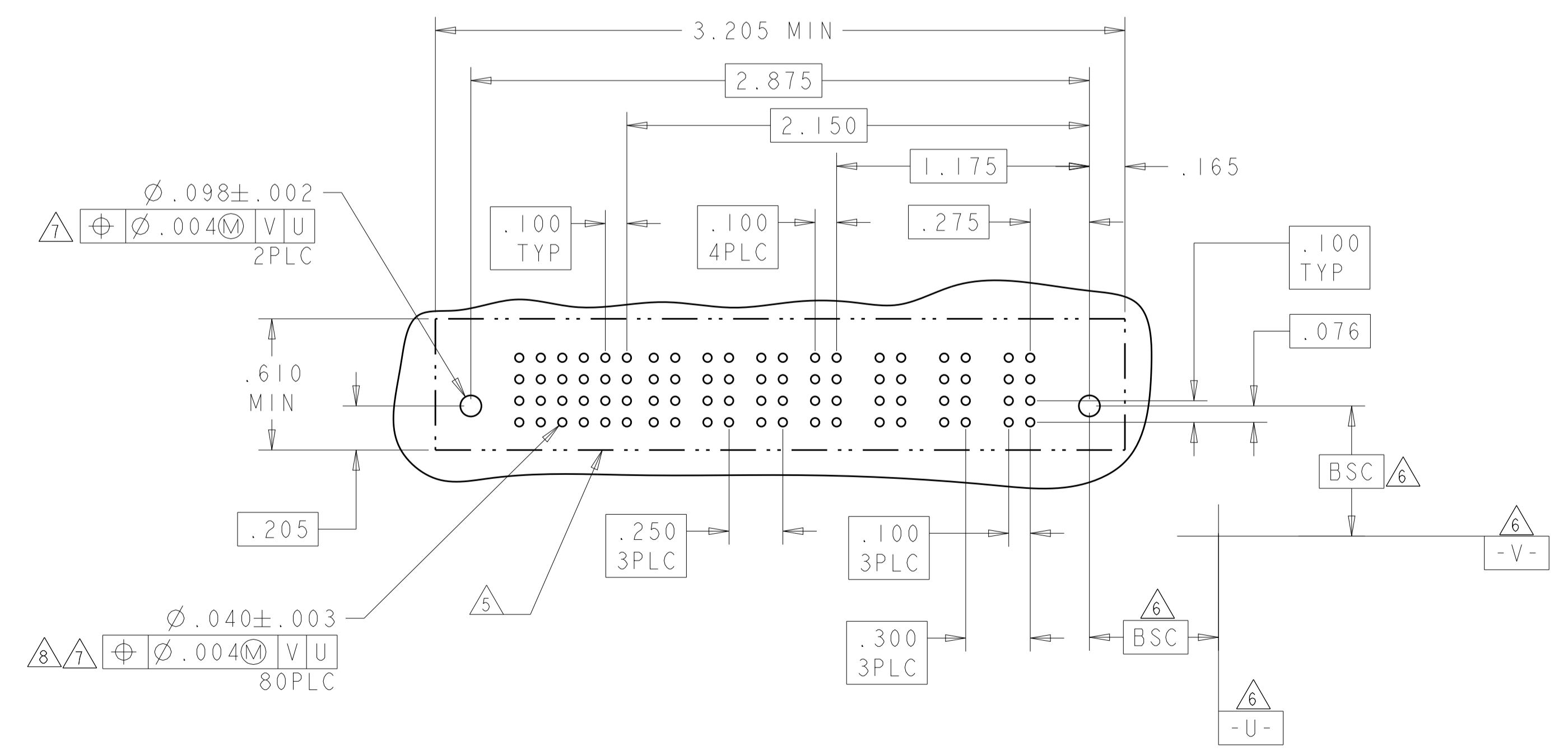
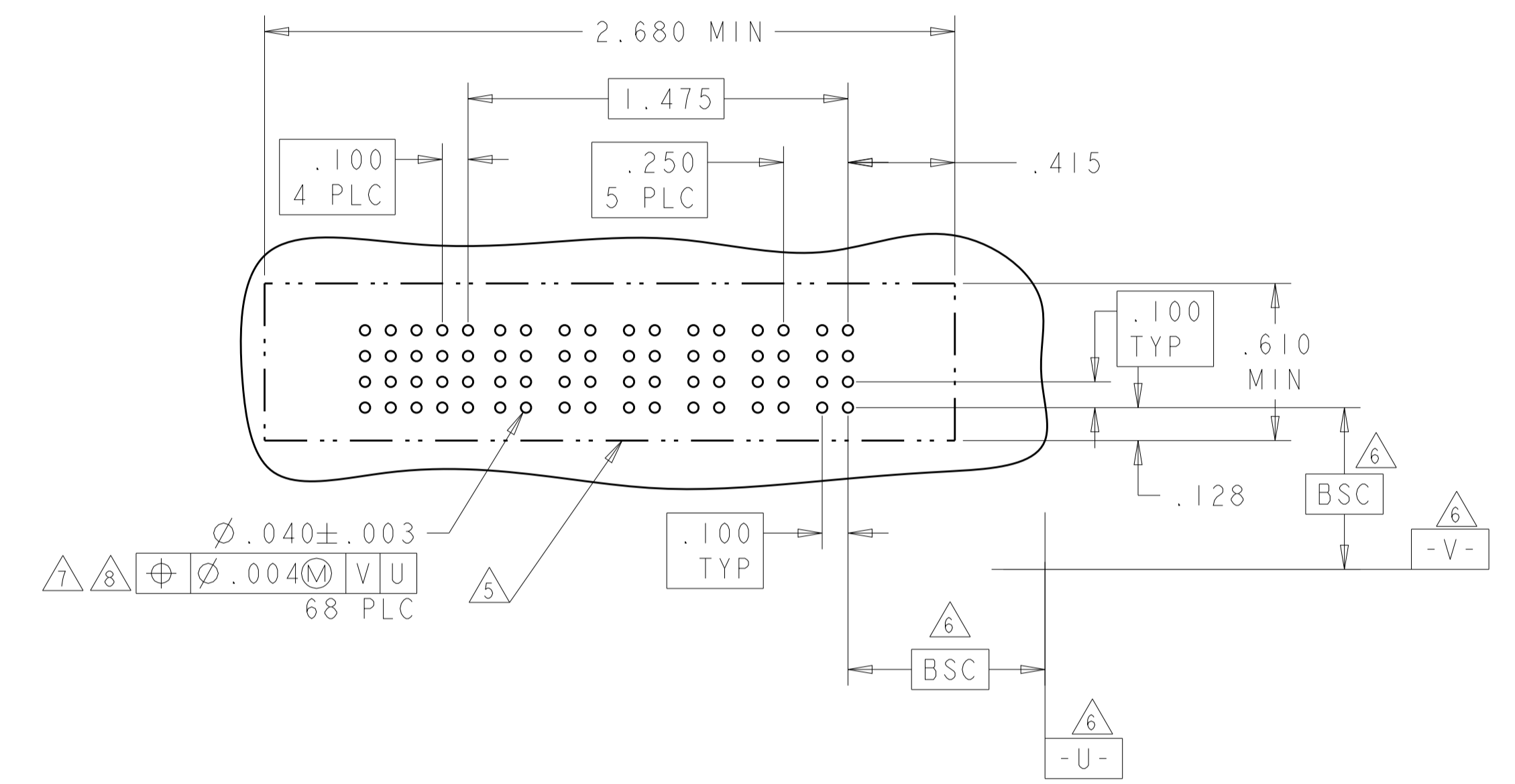
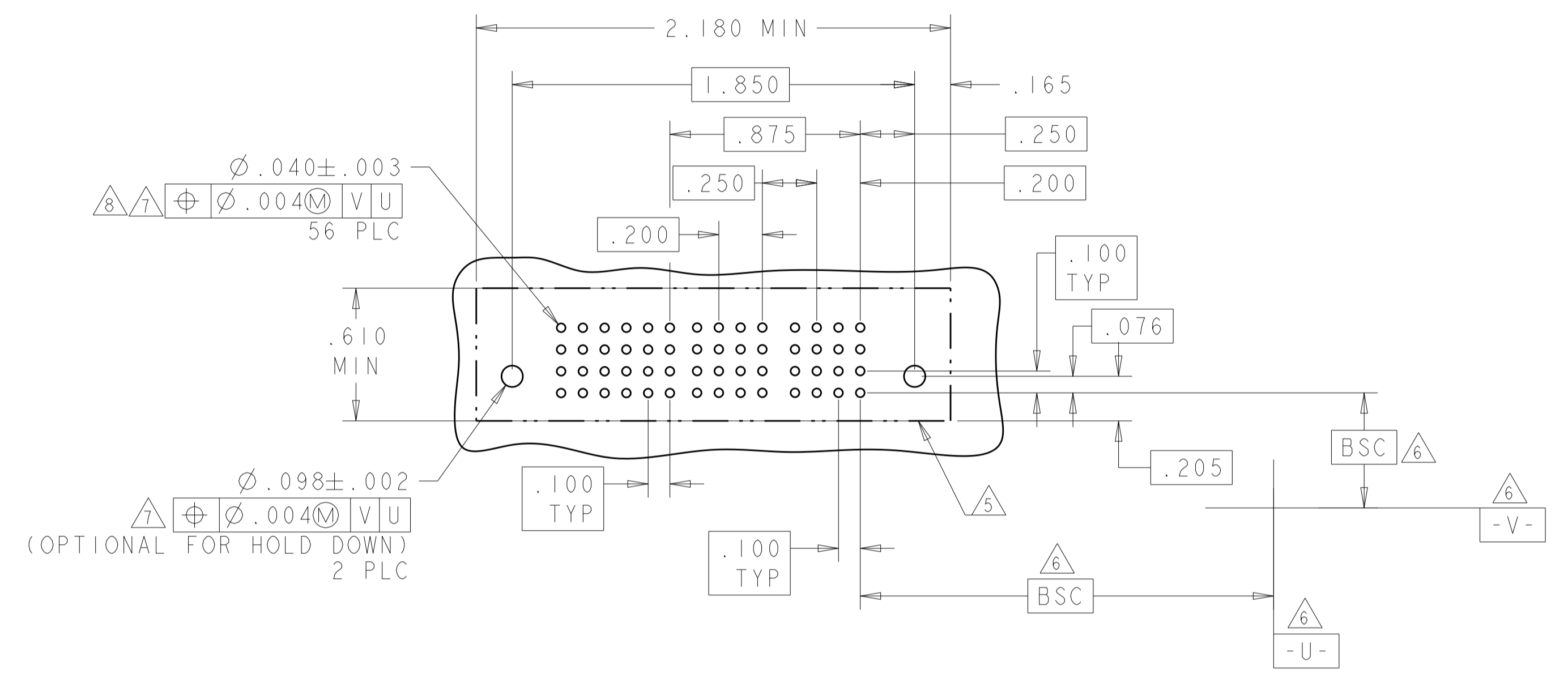
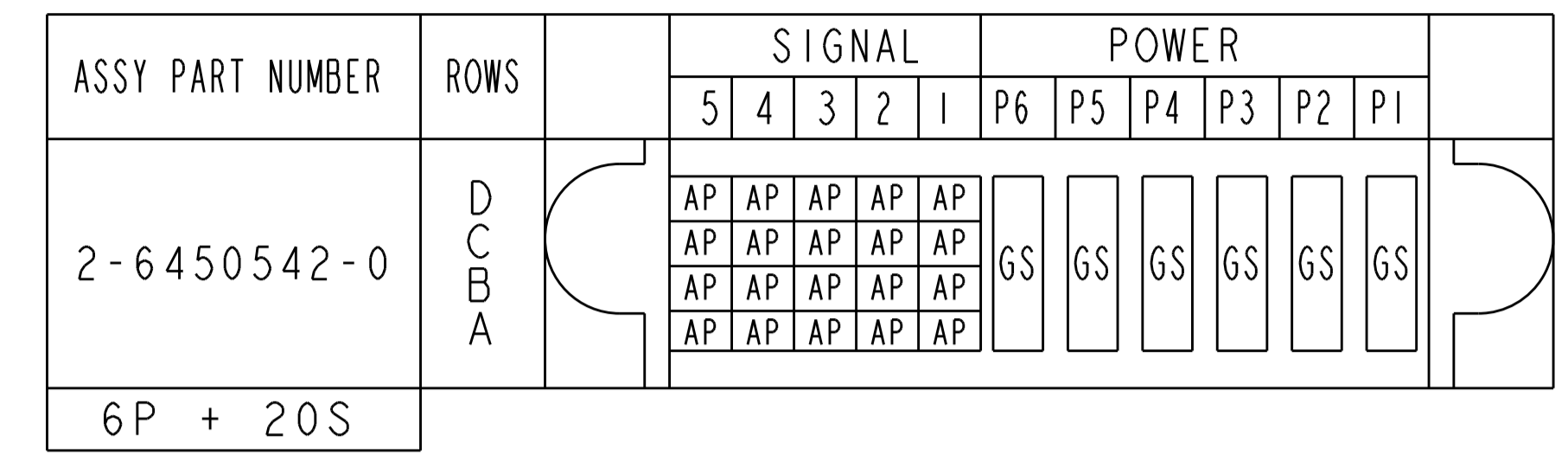
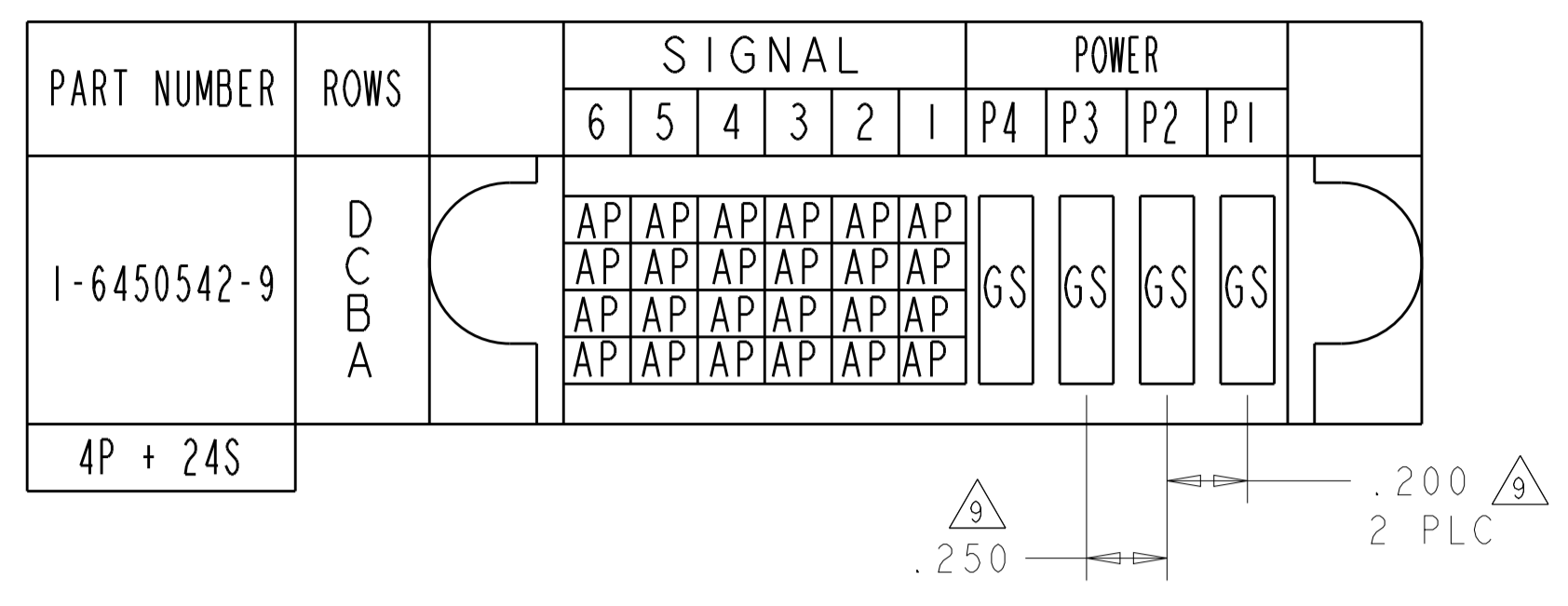
THIS DRAWING IS A CONTROLLED DOCUMENT.

DIMENSIONS: INCHES	TOLERANCES UNLESS OTHERWISE SPECIFIED:	0 PLC ± .01	1 PLC ± .01	2 PLC ± .01	3 PLC ± .005	4 PLC ± .002	ANGLES ± .07°	FINISH
--------------------	--	-------------	-------------	-------------	--------------	--------------	---------------	--------

OWN: R. GRZYBOWSKI 28FEB95	CHK: M. PERCHERKE 28FEB05	APVD: M. PERCHERKE
NAME: VERTICAL RECEPTACLE ASSEMBLY WITH GUIDES MULTI-BEAM XL		
PRODUCT SPEC: 108-1973	APPLICATION SPEC: 114-13038	WEIGHT: -
SIZE: A	CAGE CODE: 6450542	SCALE: 4:1
CUSTOMER DRAWING		SHEET 6 OF 10

4805 (3/11)

LOC	DIST	REV	DATE	BY	APPD
ES	00				
		DESCRIPTION	DATE	BY	APPD
		SEE SHEET 1			



THIS DRAWING IS A CONTROLLED DOCUMENT.

OWN: R. GRZYBOWSKI 28FEB95  
 CHK: M. PERCHERKE 28FEB05  
 APVD: M. PERCHERKE

TE Connectivity

NAME: VERTICAL RECEPTACLE ASSEMBLY WITH GUIDES MULTI-BEAM XL

PRODUCT SPEC: 108-1973  
 APPLICATION SPEC: 114-13038

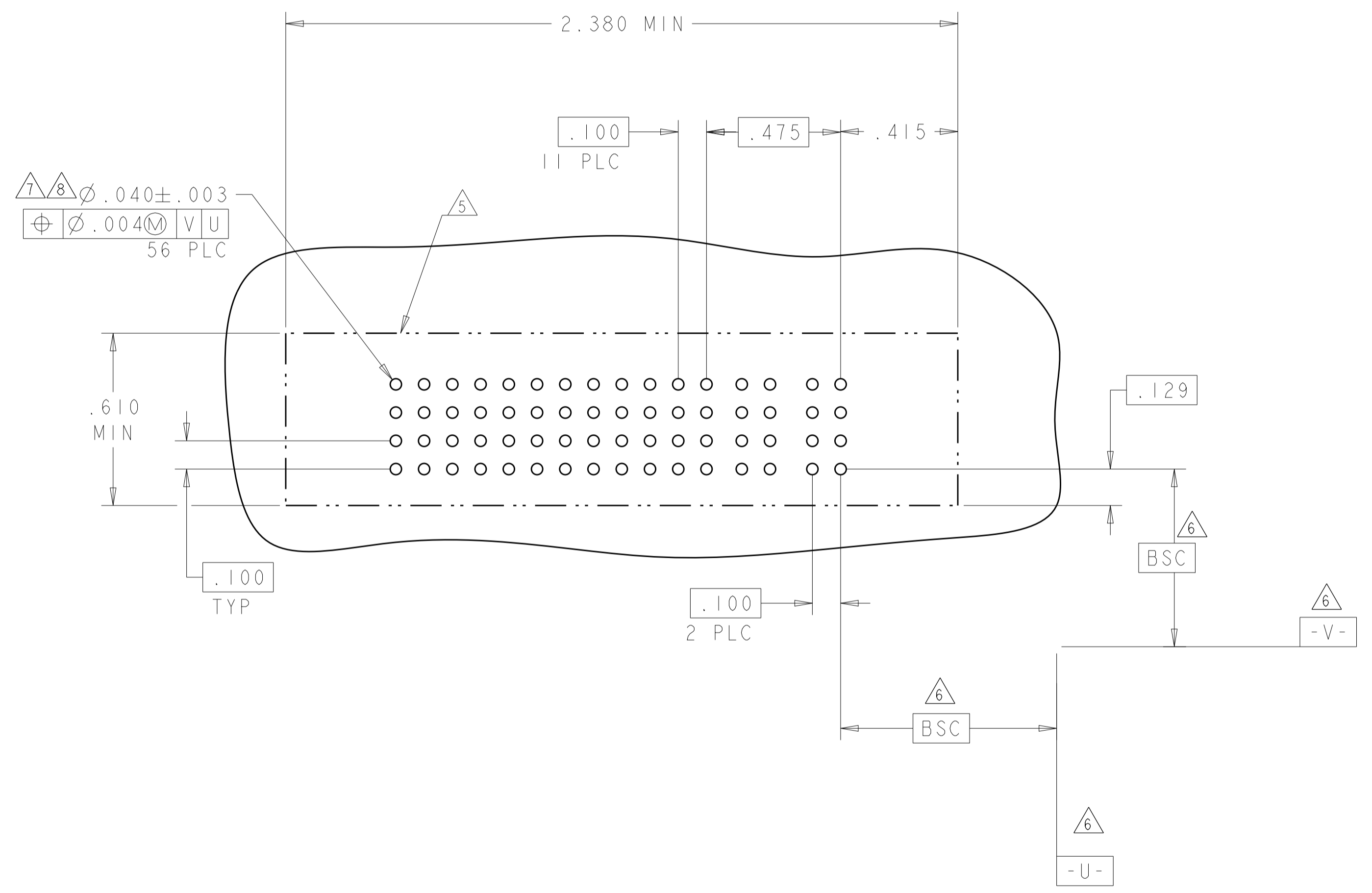
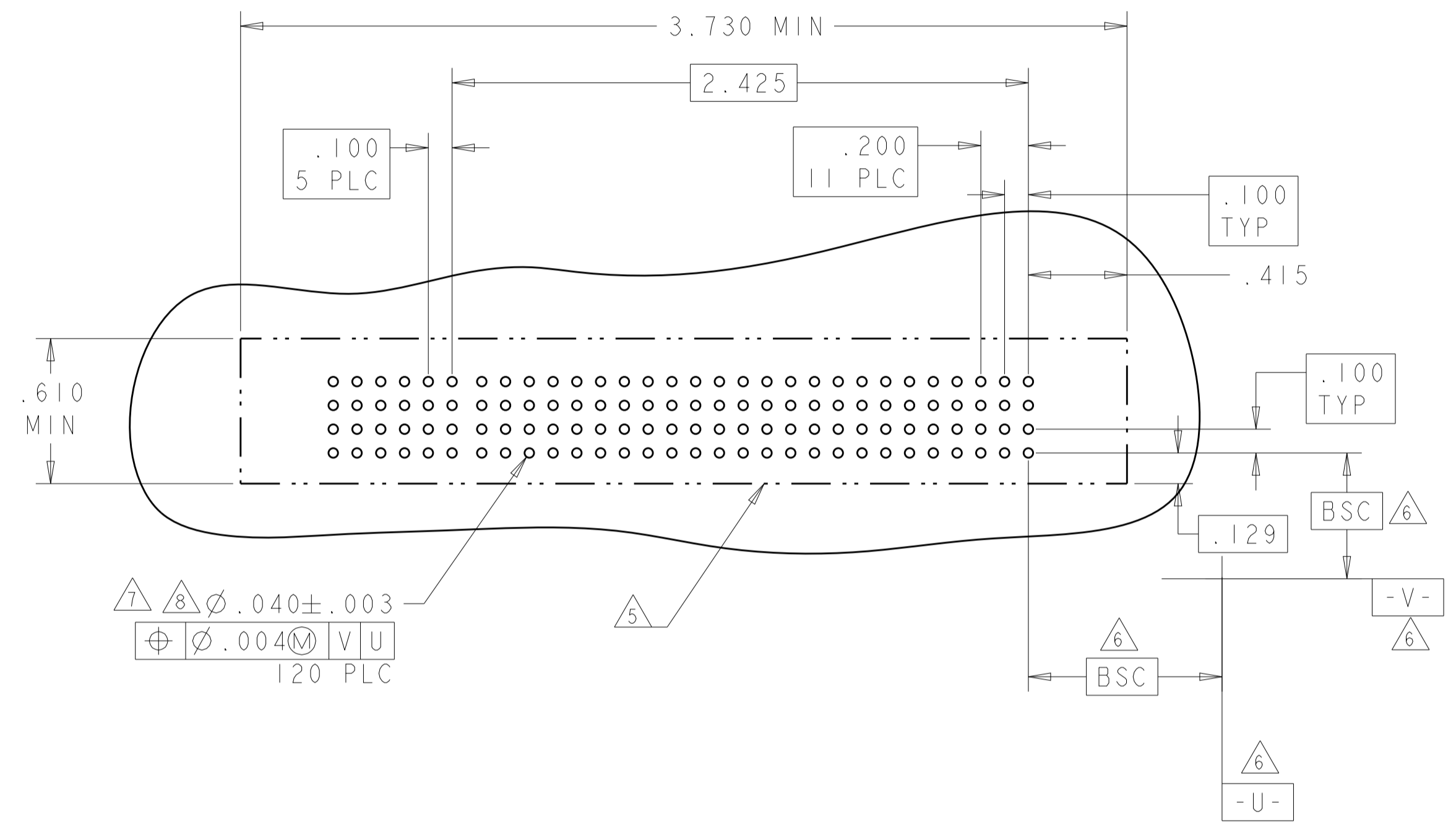
SIZE: A1  
 CAGE CODE: 100779  
 DRAWING NO: 6450542

RESTRICTED TO: -  
 SCALE: 4:1  
 SHEET: 7 OF 10  
 REV: H2

LOC	DIST	REVISIONS					
ES	00	P	LTN	DESCRIPTION	DATE	DWN	APVD
		-		SEE SHEET 1			

PART NUMBER	ROWS	SIGNAL						POWER											
		6	5	4	3	2	1	P12	P11	P10	P09	P08	P07	P06	P05	P04	P03	P02	P01
2-6450542-5	D C B A	AP	AP	AP	AP	AP	AP	GS	GS	GS	GS	GS	GS	GS	GS	GS	GS	GS	
		AP	AP	AP	AP	AP	AP	GS	GS	GS	GS	GS	GS	GS	GS	GS	GS	GS	
		AP	AP	AP	AP	AP	AP	GS	GS	GS	GS	GS	GS	GS	GS	GS	GS	GS	
12HDP + 24S																			

ASSY PART NUMBER	ROWS	SIGNAL												POWER			
		12	11	10	9	8	7	6	5	4	3	2	1	P2	P1		
1-6450542-4	D C B A	AP	AP	AP	AP	AP	AP	AP	AP	AP	AP	AP	AP	AP	AP	GS	GS
		AP	AP	AP	AP	AP	AP	AP	AP	AP	AP	AP	AP	AP	AP	GS	GS
		AP	AP	AP	AP	AP	AP	AP	AP	AP	AP	AP	AP	AP	AP	GS	GS
2P + 48S																	

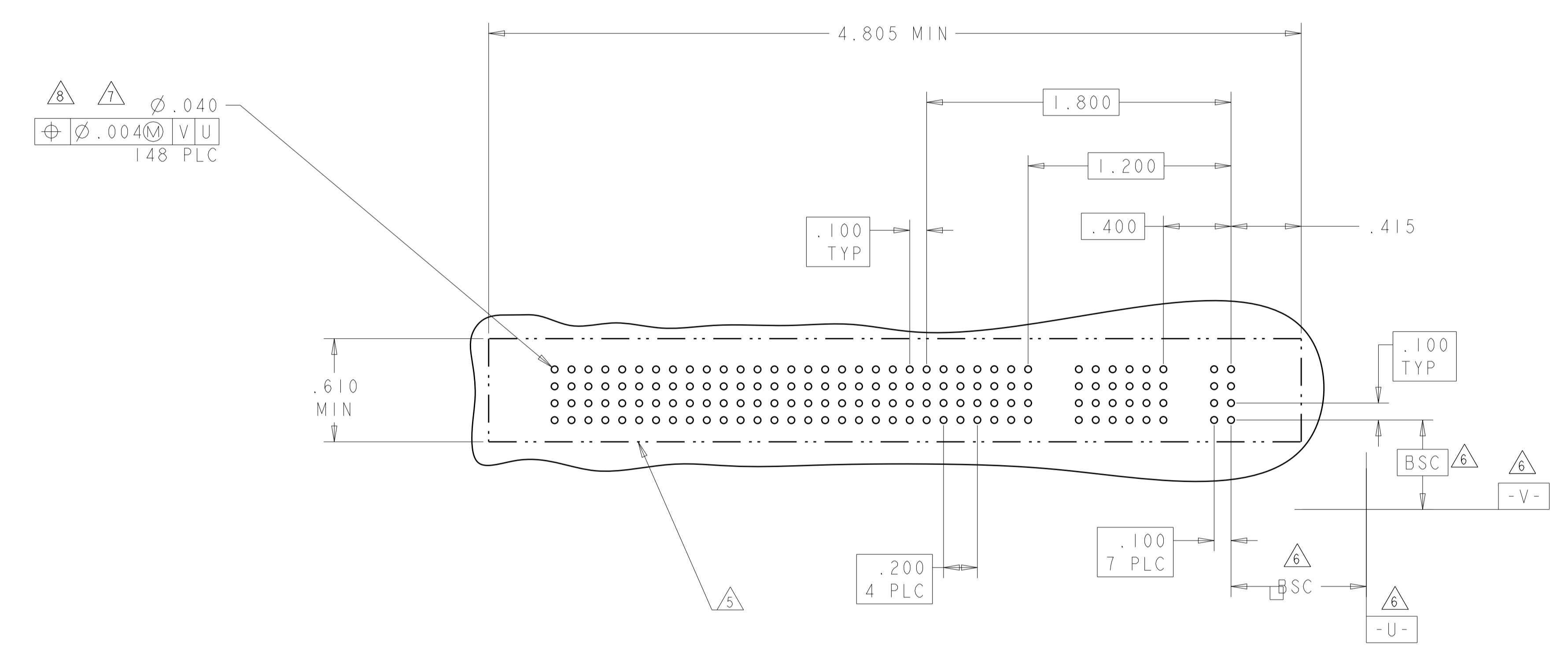


THIS DRAWING IS A CONTROLLED DOCUMENT.		OWN: R. GRZYBOWSKI 28FEB95	 TE Connectivity
DIMENSIONS: INCHES		CHK: M. PERCHERKE 28FEB05	
TOLERANCES UNLESS OTHERWISE SPECIFIED:		APVD: M. PERCHERKE	NAME: VERTICAL RECEPTACLE ASSEMBLY WITH GUIDES MULTI-BEAM XL
0 PLC ± 1 PLC ±.01 2 PLC ±.01 3 PLC ±.005 4 PLC ±.002 ANGLES ±.020		PRODUCT SPEC: 108-1973	SIZE: A
MATERIAL: FINISH:		APPLICATION SPEC: 114-13038	CAGE CODE: 6450542
		WEIGHT: CUSTOMER DRAWING	RESTRICTED TO: H2
		SCALE: 4:1	SHEET 8 OF 10



LOC		DIST		REVISIONS			
ES	00	P	LTN	DESCRIPTION	DATE	DWN	APVD
		-		SEE SHEET 1			

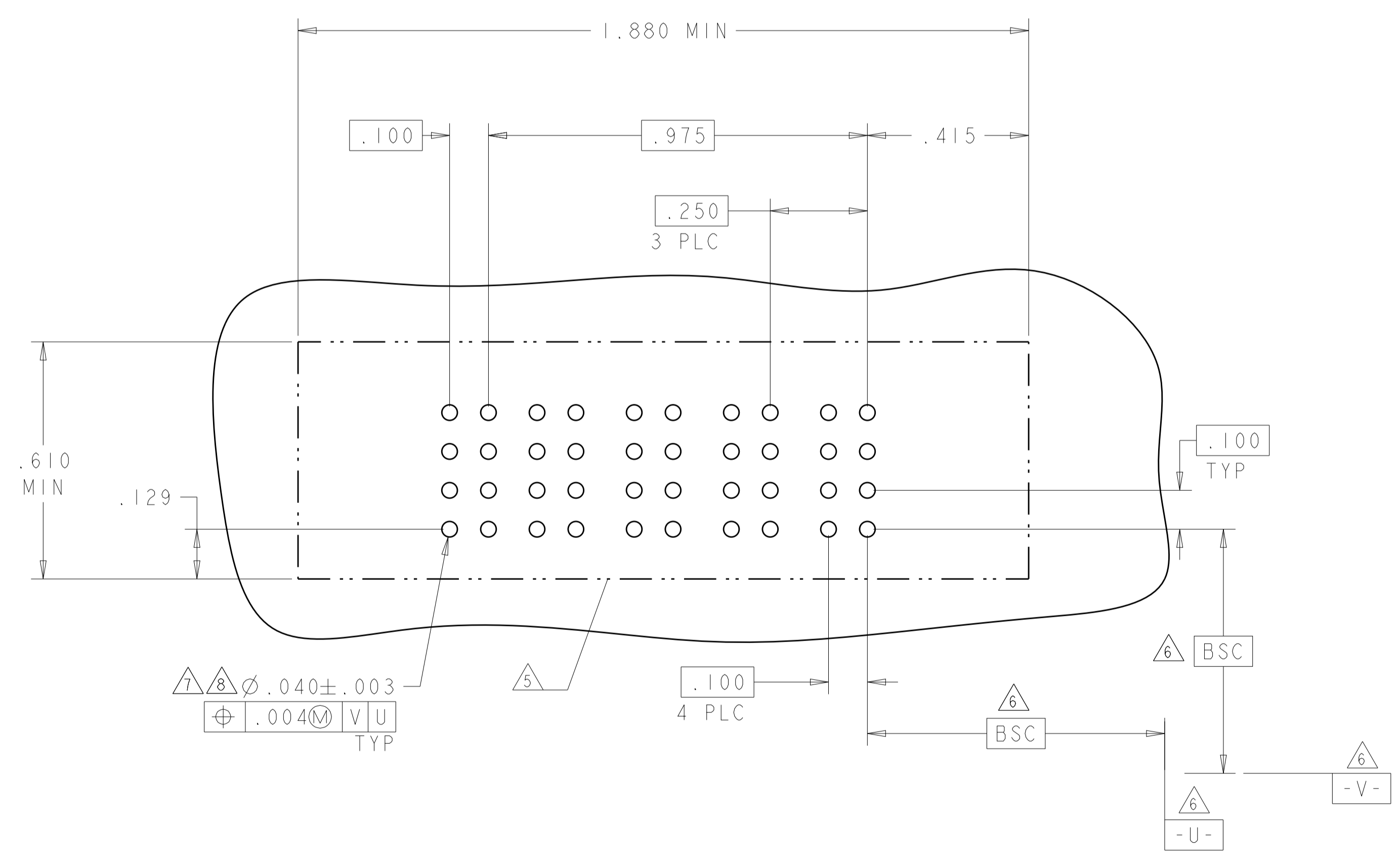
PART NUMBER	ROWS	SIGNAL														POWER																	
		23	22	21	20	19	18	17	16	15	14	13	12	11	10	9	8	7	6	5	4	3	2	1	P9	P8	P7	P6	P5	P4	P3	P2	P1
2-6450542-7	D C B A	AP	AP	AP	AP	AP	AP	AP	AP	AP	AP	AP	AP	AP	AP	AP	AP	AP	AP				AP	AP	GS	GS	GS		GS	GS	GS		GP
		AP	AP	AP	AP	AP	AP	AP	AP	AP	AP	AP	AP	AP	AP	AP	AP	AP	AP				AP	AP									
		AP	AP	AP	AP	AP	AP	AP	AP	AP	AP	AP	AP	AP	AP	AP	AP	AP	AP				AP	AP									
		AP	AP	AP	AP	AP	AP	AP	AP	AP	AP	AP	AP	AP	AP	AP	AP	AP	AP				AP	AP									
9P + 92S																																	



THIS DRAWING IS A CONTROLLED DOCUMENT.		DWN R. GRZYBOWSKI 28FEB95	TE Connectivity	
DIMENSIONS: INCHES		CHK M. PERCHERKE 28FEB05	NAME VERTICAL RECEPTACLE ASSEMBLY WITH GUIDES MULTI-BEAM XL	
		APVD M. PERCHERKE	PRODUCT SPEC	
TOLERANCES UNLESS OTHERWISE SPECIFIED:		108-1973	APPLICATION SPEC	
0 PLC ±.01		114-13038	RESTRICTED TO	
1 PLC ±.01		WEIGHT	A100779C=6450542	
2 PLC ±.01		CUSTOMER DRAWING	SCALE 4:1 SHEET 9 OF 10 REV H2	
3 PLC ±.005				
4 PLC ±.0020				
ANGLES ±.2°				
FINISH				

LOC	DIST	REVISIONS			
P	LTN	DESCRIPTION	DATE	DWN	APVD
ES	00	- SEE SHEET 1	-	-	-

PART NUMBER	ROWS	SIGNAL				POWER			
		2	1	P4	P3	P2	P1		
2-6450542-9	D C B A	AP	AP	GP	GP	GP	GP		
		AP	AP						
		AP	AP						
		AP	AP						
4P + 8S									



DIMENSIONS:		TOLERANCES UNLESS OTHERWISE SPECIFIED:		MATERIAL:		FINISH:		WEIGHT:		CUSTOMER DRAWING	
INCHES	0 PLC	±	108-1973	114-13038	114-13038	114-13038	114-13038	114-13038	114-13038	114-13038	114-13038
	1 PLC	±.01	108-1973	114-13038	114-13038	114-13038	114-13038	114-13038	114-13038	114-13038	114-13038
	2 PLC	±.01	108-1973	114-13038	114-13038	114-13038	114-13038	114-13038	114-13038	114-13038	114-13038
	3 PLC	±.01	108-1973	114-13038	114-13038	114-13038	114-13038	114-13038	114-13038	114-13038	114-13038
	4 PLC	±.005	108-1973	114-13038	114-13038	114-13038	114-13038	114-13038	114-13038	114-13038	114-13038
	5 PLC	±.005	108-1973	114-13038	114-13038	114-13038	114-13038	114-13038	114-13038	114-13038	114-13038
	6 PLC	±.0020	108-1973	114-13038	114-13038	114-13038	114-13038	114-13038	114-13038	114-13038	114-13038
	ANGLES	±.020	108-1973	114-13038	114-13038	114-13038	114-13038	114-13038	114-13038	114-13038	114-13038
		±.020	108-1973	114-13038	114-13038	114-13038	114-13038	114-13038	114-13038	114-13038	114-13038



Компания «ЭлектроПласт» предлагает заключение долгосрочных отношений при поставках импортных электронных компонентов на взаимовыгодных условиях!

Наши преимущества:

- Оперативные поставки широкого спектра электронных компонентов отечественного и импортного производства напрямую от производителей и с крупнейших мировых складов;
- Поставка более 17-ти миллионов наименований электронных компонентов;
- Поставка сложных, дефицитных, либо снятых с производства позиций;
- Оперативные сроки поставки под заказ (от 5 рабочих дней);
- Экспресс доставка в любую точку России;
- Техническая поддержка проекта, помощь в подборе аналогов, поставка прототипов;
- Система менеджмента качества сертифицирована по Международному стандарту ISO 9001;
- Лицензия ФСБ на осуществление работ с использованием сведений, составляющих государственную тайну;
- Поставка специализированных компонентов (Xilinx, Altera, Analog Devices, Intersil, Interpoint, Microsemi, Aeroflex, Peregrine, Syfer, Eurofarad, Texas Instrument, Miteq, Cobham, E2V, MA-COM, Hittite, Mini-Circuits, General Dynamics и др.);

Помимо этого, одним из направлений компании «ЭлектроПласт» является направление «Источники питания». Мы предлагаем Вам помощь Конструкторского отдела:

- Подбор оптимального решения, техническое обоснование при выборе компонента;
- Подбор аналогов;
- Консультации по применению компонента;
- Поставка образцов и прототипов;
- Техническая поддержка проекта;
- Защита от снятия компонента с производства.



#### Как с нами связаться

**Телефон:** 8 (812) 309 58 32 (многоканальный)

**Факс:** 8 (812) 320-02-42

**Электронная почта:** [org@eplast1.ru](mailto:org@eplast1.ru)

**Адрес:** 198099, г. Санкт-Петербург, ул. Калинина, дом 2, корпус 4, литера А.