

DATA SHEET

Liquid Level Switches

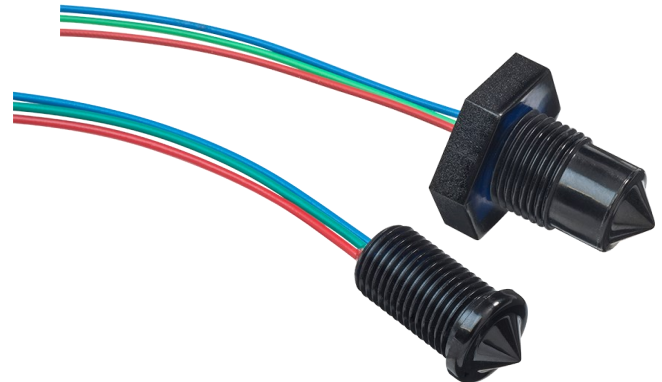
Honeywell LLE Standard Temp Series Alternatives

For part numbers LLE101000, LLE102000, LLE103000 and LLE105000



FEATURES

- Liquid level switches that can detect almost any liquid type; oil or water based
- Choice of mounting; internal or external
- Choice of threads



| | | | | |
|--|--|--|---|---|
| Housing/ Mounting M10x1 M12x1 | Output Type/Logic PUSH PULL 1 0 HIGH IN AIR | Supply Voltage 4.5 - 15.4 V VOLTAGE | Output Current UP TO 100mA CURRENT | Temp -25°C to +80°C TEMPERATURE |
|--|--|--|---|---|

BENEFITS

- Low power
- Low cost
- Compact design

OUTPUT VALUES

Output Voltage^b (V_{out}): **I_{out} = 100mA**
Output High V_{out} = V_s - 1.5V max
Output Low V_{out} = 0V + 0.5V max

TECHNICAL SPECIFICATIONS

| | |
|--|--|
| Supply voltage (V _s) | 4.5V _{DC} to 15.4V _{DC} |
| Supply current (I _s) | 2.5mA max. (V _s = 15.4V _{DC}) |
| Output sink and source current (I _{out}) | 100mA |
| Operating temperatures | -25°C to +80°C |
| Storage temperatures | -30°C to +85°C |
| Housing material ^a | Polysulfone |
| Sensor termination | 24AWG, 250mm PTFE wires, 8mm tinned |

Other sensor options available on request, email: technical@sstsensing.com

Need help? Ask the expert
Tel: + 44 (0)1236 459 020
and ask for "Technical"



- a) Before use check that the fluid in which you wish to use these devices is compatible with Polysulfone.
b) Voltages applicable to output value stated.

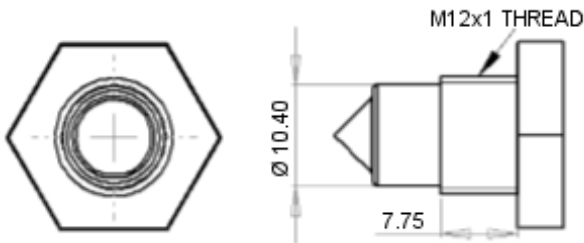
OUTLINE DRAWING

All dimensions shown in mm. Tolerances = ± 1 mm.

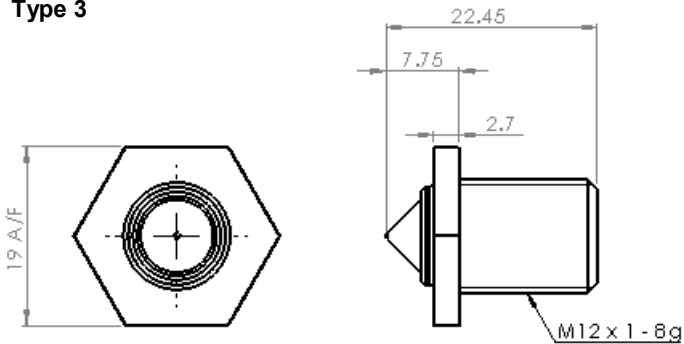
Type 1



Type 2



Type 3



Type 5



HOUSING SPECIFICATIONS

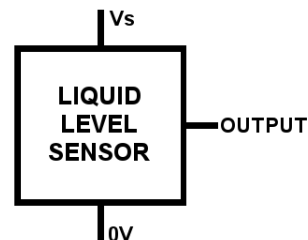
| Housing Series - External Mounting | | |
|------------------------------------|-------------------------------|------------------------------------|
| | Type 1 | Type 2 |
| Thread | M12x1x8g | M12x1x8g with hex nut ^c |
| Pressure ^d | 7 bar / 101 psi maximum | |
| Tightening Torque | 1.5 Nm / 13.26 in-lbs maximum | |

| Housing Series - Internal Mounting | | |
|------------------------------------|------------------------------------|----------------|
| | Type 3 | Type 5 |
| Thread | M12x1x8g with hex nut ^c | M10x1 |
| Pressure ^d | 7 bar / 101 psi maximum | |
| Tightening Torque | 1.5 Nm / 13.26 in-lbs maximum | Not Applicable |

NOTE: In the cases of Type 1 and Type 3 sensors, the rear of the SST sensors are slightly longer than the Honeywell sensors.

NOTE: The dimensions of the Type 5 part make it a "push in" part the same as LLE105000. Note that the sensor can also be secured using an M10 nut.

ELECTRICAL INTERFACE

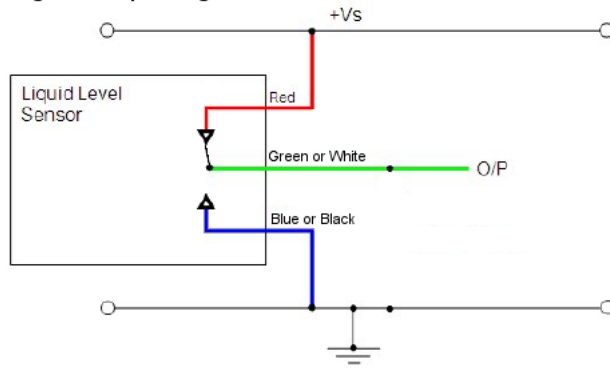


| Wire | Designation |
|-------|-------------|
| Red | Vs |
| Green | Output |
| Blue | 0V |



- c) Hex nut and washer supplied with Type 1, Type 2 and Type 3.
 d) When correctly sealed.

Digital Output High in Air



CAUTION: Take care when connecting loads.

The minimum load impedance should not exceed $V_s/\text{max output current}$.

Note: Shorting the output to V_s or $0V$ will result in irreparable damage to the sensor.



ORDER INFORMATION

Specify the part number you require.

Sensor mounted from outside vessel

Type 1

L L C 1 0 1 0 0 0

Type 2

L L C 1 0 2 0 0 0

Sensor mounted from inside vessel

Type 3

L L C 1 0 3 0 0 0

Type 5

L L C 1 0 5 0 0 0

Please contact SST Sensing for details; email: technical@sstsensing.com

 **CAUTION**

Do not exceed maximum ratings and ensure sensor(s) are operated in accordance with their requirements.

Carefully follow all wiring instructions. Incorrect wiring can cause permanent damage to the device.

SST Sensing Ltd recommend using alcohol based cleaning agents. Do NOT use chlorinated solvents such as trichloroethane as these are likely to attack the sensor material.

Failure to comply with these instructions may result in product damage.

 **INFORMATION**

As customer applications are outside of SST Sensing Ltd.'s control, the information provided is given without legal responsibility. Customers should test under their own conditions to ensure that the equipment is suitable for their intended application. Before use, check that the fluid in which you wish to use these devices is compatible with Polysulfone.

For technical assistance or advice, please email:
technical@sstsensing.com

General Note: SST Sensing Ltd. reserves the right to make changes to product specifications without notice or liability. All information is subject to SST Sensing Ltd.'s own data and considered accurate at time of going to print.



Компания «ЭлектроПласт» предлагает заключение долгосрочных отношений при поставках импортных электронных компонентов на взаимовыгодных условиях!

Наши преимущества:

- Оперативные поставки широкого спектра электронных компонентов отечественного и импортного производства напрямую от производителей и с крупнейших мировых складов;
- Поставка более 17-ти миллионов наименований электронных компонентов;
- Поставка сложных, дефицитных, либо снятых с производства позиций;
- Оперативные сроки поставки под заказ (от 5 рабочих дней);
- Экспресс доставка в любую точку России;
- Техническая поддержка проекта, помощь в подборе аналогов, поставка прототипов;
- Система менеджмента качества сертифицирована по Международному стандарту ISO 9001;
- Лицензия ФСБ на осуществление работ с использованием сведений, составляющих государственную тайну;
- Поставка специализированных компонентов (Xilinx, Altera, Analog Devices, Intersil, Interpoint, Microsemi, Aeroflex, Peregrine, Syfer, Eurofarad, Texas Instrument, Miteq, Cobham, E2V, MA-COM, Hittite, Mini-Circuits, General Dynamics и др.);

Помимо этого, одним из направлений компании «ЭлектроПласт» является направление «Источники питания». Мы предлагаем Вам помощь Конструкторского отдела:

- Подбор оптимального решения, техническое обоснование при выборе компонента;
- Подбор аналогов;
- Консультации по применению компонента;
- Поставка образцов и прототипов;
- Техническая поддержка проекта;
- Защита от снятия компонента с производства.



Как с нами связаться

Телефон: 8 (812) 309 58 32 (многоканальный)

Факс: 8 (812) 320-02-42

Электронная почта: org@eplast1.ru

Адрес: 198099, г. Санкт-Петербург, ул. Калинина, дом 2, корпус 4, литера А.