

EVALUATION KIT  
AVAILABLE

# USB 2.0 Hi-Speed and Audio Switches with Negative Signal Capability and $\pm 15\text{kV}$ ESD

## General Description

The MAX14531E–MAX14534E high ESD-protected DP3T switches multiplex Hi-Speed (480 Mbps) USB signals, low/full-speed USB signals, and analog signals such as AC-coupled audio or video through any of three channels. These devices combine the low on-capacitance ( $C_{ON}$ ) and low on-resistance ( $R_{ON}$ ) necessary for high-performance switching applications in portable electronics, and include an internal negative supply to pass AC-coupled audio signals that swing below ground (down to  $-2.0\text{V}$ ). The MAX14531E–MAX14534E operate from a  $+2.7\text{V}$  to  $+5.5\text{V}$  supply.

The MAX14531E–MAX14534E have a shutdown function to reduce supply current and set all channels to high impedance. The MAX14531E–MAX14534E feature a VBUS detection function through the CB0 input to automatically switch to the default USB signal path upon detection of a valid VBUS signal. The MAX14532E/MAX14534E feature internal shunt resistors on audio channels to reduce clicks and pops heard at the output.

The MAX14531E–MAX14534E are available in a space-saving, 12-bump,  $1.5\text{mm} \times 2.0\text{mm}$  WLP package and operate over the  $-40^\circ\text{C}$  to  $+85^\circ\text{C}$  temperature range.

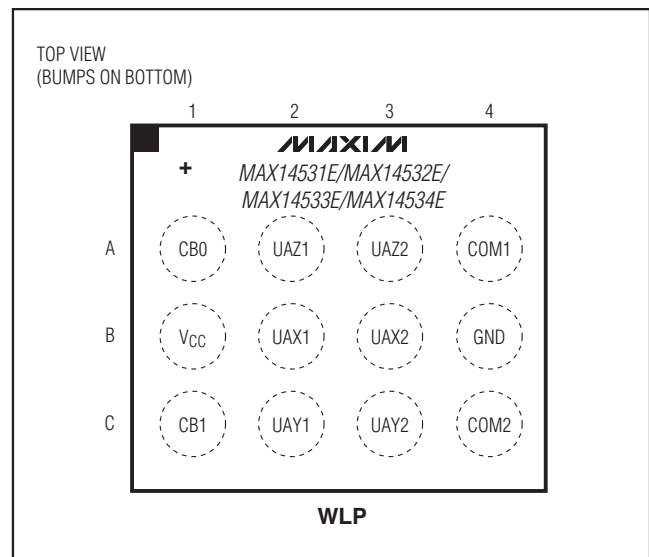
## Applications

Cell Phones  
MP3 Players  
PDAs  
Notebook Computers

## Features

- ◆ Single  $+2.7\text{V}$  to  $+5.5\text{V}$  Supply Voltage
- ◆ Low  $10\mu\text{A}$  (typ) Supply Current
- ◆  $-3\text{dB}$  Bandwidth:  $800\text{MHz}$  (typ)
- ◆ Low  $2\Omega$  (typ) On-Resistance
- ◆  $0.05\%$  THD+N
- ◆ Internal Shunt Resistor for Click-and-Pop Reduction (MAX14532E/MAX14534E)
- ◆ VBUS Detection for Automatic Switch Path Selection
  - +28V Maximum Rated VBUS Detection Input (CB0)
- ◆ Space-Saving, 12-Bump,  $1.5\text{mm} \times 2.0\text{mm}$  WLP Package

## Pin Configuration



MAX14531E-MAX14534E

## Ordering Information/Selector Guide

| PART          | PIN-PACKAGE | SHUNT RESISTORS | CB0 PULLDOWN RESISTOR | TOP MARK |
|---------------|-------------|-----------------|-----------------------|----------|
| MAX14531EWC+  | 12 WLP      | NONE            | No                    | AAT      |
| MAX14532EWC+  | 12 WLP      | UAZ_            | Yes                   | AAU      |
| MAX14533EWC+* | 12 WLP      | NONE            | Yes                   | AAV      |
| MAX14534EWC+* | 12 WLP      | UAY_UAZ_        | Yes                   | AAW      |

**Note:** All devices are specified over the  $-40^\circ\text{C}$  to  $+85^\circ\text{C}$  operating temperature range.

+Denotes a lead(Pb)-free/RoHS-compliant package.

\*Future product—contact factory for availability.



# USB 2.0 Hi-Speed and Audio Switches with Negative Signal Capability and $\pm 15\text{kV}$ ESD

## ABSOLUTE MAXIMUM RATINGS

(Voltages referenced to GND.)

|  |                    |
|--|--------------------|
| $V_{CC}$ , CB1                             | -0.3V to +6.0V     |
| CB0  | -0.3V to +28.0V    |
| COM_ (CB0 or CB1 > $V_{IH}$ )              | -2.3V to +3.6V     |
| COM_ (CB0 and CB1 < $V_{IL}$ )             | -0.3V to +6.0V     |
| UAX_, UAY_, UAZ_ (CB0 or CB1 > $V_{IH}$ )  | -2.3V to +3.6V     |
| UAX_, UAY_, UAZ_ (CB0 and CB1 < $V_{IL}$ ) | -0.3V to +6.0V     |
| Continuous Current into Any Terminal       | $\pm 150\text{mA}$ |

|   |   |
|---|---|
| 50% Duty Cycle Current into Any Terminal                                      | $\pm 250\text{mA}$                          |
| Continuous Power Dissipation ( $T_A = +70^\circ\text{C}$ ) (Note 1)           |   |
| 12-Bump WLP (derate $8.5\text{mW}/^\circ\text{C}$ above $+70^\circ\text{C}$ ) | 678mW                                       |
| Operating Temperature Range   | $-40^\circ\text{C}$ to $+85^\circ\text{C}$  |
| Junction Temperature Range  | $-40^\circ\text{C}$ to $+150^\circ\text{C}$ |
| Storage Temperature Range   | $-65^\circ\text{C}$ to $+150^\circ\text{C}$ |
| Lead Temperature (soldering, 10s)   | $+300^\circ\text{C}$                        |

**Note 1:** Package thermal resistances were obtained using the method described in JEDEC specification JESD51-7, using a four-layer board. For detailed information on package thermal considerations, refer to [www.maxim-ic.com/thermal-tutorial](http://www.maxim-ic.com/thermal-tutorial).

Stresses beyond those listed under "Absolute Maximum Ratings" may cause permanent damage to the device. These are stress ratings only, and functional operation of the device at these or any other conditions beyond those indicated in the operational sections of the specifications is not implied. Exposure to absolute maximum rating conditions for extended periods may affect device reliability.

## ELECTRICAL CHARACTERISTICS

( $V_{CC} = +2.7\text{V}$  to  $+5.5\text{V}$ ,  $T_A = -40^\circ\text{C}$  to  $+85^\circ\text{C}$ , unless otherwise noted. Typical values are at  $V_{CC} = +3.0\text{V}$ ,  $T_A = +25^\circ\text{C}$ , unless otherwise noted.) (Note 2)

| PARAMETER  | SYMBOL   | CONDITIONS  | MIN                                      | TYP  | MAX                              | UNITS         |
|--|--|---|--|------|----------------------------------|---------------|
| Power-Supply Range   | $V_{CC}$   |   | 2.7                                      |      | 5.5                              | V             |
| Supply Current   | $I_{CC}$   | $V_{CC} = +3.3\text{V}$   | $V_{CB0} = V_{CB1} = 0$ (shutdown)       |      | 1                                | $\mu\text{A}$ |
|  |  |   | $V_{CB0} = V_{CC}$ or $V_{CB1} = V_{CC}$ |      | 20                               |               |
|  |  |   | $V_{CB0} = +5.0\text{V}$                 |      | 20                               |               |
|  |  | $V_{CC} = +5.0\text{V}$   | $V_{CB0} = V_{CB1} = 0$ (shutdown)       |      | 1                                |               |
|  |  |   | $V_{CB0} = V_{CC}$ or $V_{CB1} = V_{CC}$ |      | 25                               |               |
|  |  |   | $V_{CB0} = +5.5\text{V}$                 |      | 25                               |               |
| Supply Current Increase                                    | $\Delta I_{CC}$  | $V_{CB0} = V_{CB1} = V_{IH}$ or $V_{IL}$  |  |      | 2                                | $\mu\text{A}$ |
| VBUS Detect Threshold                                      | $V_{VBDET}$  | $V_{CB0}$ rising  | $V_{CC} + 0.2$                           |      | $V_{CC} + 0.6$                   | V             |
|  |  | $V_{CB0}$ falling, hysteresis   |  | 0.2  |                                  |               |
| Analog Signal Range  | $V_{UAX\_}$ ,<br>$V_{UAY\_}$ ,<br>$V_{UAZ\_}$ ,<br>$V_{COM\_}$ | $V_{CB0} < V_{IL}$ and $V_{CB1} < V_{IL}$ (shutdown)  | 0  |      | $V_{CC}$                         | V             |
|  |  | $V_{CB0} > V_{IH}$ or $V_{CB1} > V_{IH}$  | -2.0                                     |      | Min<br>( $V_{CC}, 3.3\text{V}$ ) |               |
| <b>ANALOG SWITCH</b>                                       |  |   |  |      |                                  |               |
| UAX_, UAY_, UAZ_<br>On-Resistance                          | $R_{ON(UAXYZ)}$  | $V_{CC} = +3.0\text{V}$ , $V_{UAX\_} = V_{UAY\_} = V_{UAZ\_} = 0$ ,<br>$I_{COM\_} = 10\text{mA}$                              |  | 2    | 3                                | $\Omega$      |
| UAX_, UAY_, UAZ_<br>On-Resistance Match Between Channels   | $\Delta R_{ON}$  | $V_{CC} = +3.0\text{V}$ , $V_{UAX\_} = V_{UAY\_} = V_{UAZ\_} = 0$ ,<br>$I_{COM\_} = 10\text{mA}$ (Note 3)                     |  |      | 0.2                              | $\Omega$      |
| UAX_, UAY_, UAZ_<br>On-Resistance Flatness<br>(Notes 4, 5) | $R_{FLAT(UAXYZ)}$  | $V_{CC} = +3.0\text{V}$ , $V_{UAX\_} = V_{UAY\_} = V_{UAZ\_} = -2.0\text{V}$ or $+3.0\text{V}$ ,<br>$I_{COM\_} = 10\text{mA}$ |  | 0.02 | 0.1                              | $\Omega$      |

# USB 2.0 Hi-Speed and Audio Switches with Negative Signal Capability and $\pm 15\text{kV}$ ESD

MAX14531E-MAX14534E

## ELECTRICAL CHARACTERISTICS (continued)

( $V_{CC} = +2.7\text{V}$  to  $+5.5\text{V}$ ,  $T_A = -40^\circ\text{C}$  to  $+85^\circ\text{C}$ , unless otherwise noted. Typical values are at  $V_{CC} = +3.0\text{V}$ ,  $T_A = +25^\circ\text{C}$ , unless otherwise noted.) (Note 2)

| PARAMETER                        | SYMBOL         | CONDITIONS  | MIN   | TYP   | MAX | UNITS         |               |
|----------------------------------|----------------|---|---|-------|-----|---------------|---------------|
| Shunt Switch Resistance          | $R_{SH}$       | $I_{UAZ\_} = 10\text{mA}$ (MAX14532E) or $I_{UAY\_} = I_{UAZ\_} = 10\text{mA}$ (MAX14534E)  |   | 100   | 200 | $\Omega$      |               |
| UAX_ Off-Leakage Current         | $I_{UAX(OFF)}$ | $V_{CC} = 3.0\text{V}$ , $\langle CB1, CB0 \rangle = 10$ (UAX_ open), $V_{UAX\_} = +2.5\text{V}$ or 0, $V_{COM\_} = -1.5\text{V}$ or $+2.5\text{V}$                           | -10   |       | +10 | nA            |               |
| UAY_ Off-Leakage Current         | $I_{UAY(OFF)}$ | (MAX14531E-MAX14533E) $V_{CC} = 3.0\text{V}$ , $CB1 = \text{GND}$ , $CB0 = V_{CC}$ (UAY_ open), $V_{UAY\_} = +2.5\text{V}$ or 0, $V_{COM\_} = -1.5\text{V}$ or $+2.5\text{V}$ | -10   |       | +10 | nA            |               |
| UAZ_ Off-Leakage Current         | $I_{UAZ(OFF)}$ | (MAX14531E/MAX14533E) $V_{CC} = 3.0\text{V}$ , $\langle CB1, CB0 \rangle = 01$ (UAZ_ open), $V_{UAZ\_} = +2.5\text{V}$ or 0, $V_{COM\_} = -1.5\text{V}$ or $+2.5\text{V}$     | -10   |       | +10 | nA            |               |
| COM_ On-Leakage Current          | $I_{COM(ON)}$  | $V_{CC} = +3.0\text{V}$ , $V_{COM\_} = -1.5\text{V}$ or $+2.5\text{V}$  | $\langle CB1, CB0 \rangle = 01$ , $V_{UAY\_} = V_{UAZ\_} = 0$ , $+2.5\text{V}$ , or unconnected | -100  |     | +100          | nA            |
|                                  |                |   | $\langle CB1, CB0 \rangle = 10$ , $V_{UAX\_} = V_{UAZ\_} = 0$ , $+2.5\text{V}$ , or unconnected | -100  |     | +100          |               |
|                                  |                |   | $\langle CB1, CB0 \rangle = 11$ , $V_{UAX\_} = V_{UAY\_} = 0$ , $+2.5\text{V}$ , or unconnected | -100  |     | +100          |               |
| COM_ Off-Leakage Current         | $I_{COM(OFF)}$ | $V_{CC} = +3.0\text{V}$ , $\langle CB1, CB0 \rangle = 00$ , $V_{UAX\_} = V_{UAY\_} = V_{UAZ\_} = 0$   | $V_{COM\_} = +3.6\text{V}$  | -0.01 |     | +2            | $\mu\text{A}$ |
|                                  |                |   | $V_{COM\_} = 0$   | -10   |     | +10           | nA            |
| Enable Turn-On Time              | $t_{ON}$       | From shutdown to UAX_, UAY_, or UAZ_ connected to COM_, $V_{CC} = +3.0\text{V}$ , $V_{UA\_} = +3.0\text{V}$ , $R_L = 50\Omega$ , $C_L = 10\text{pF}$ (Figure 1)               |   |       | 250 | $\mu\text{s}$ |               |
| Enable Turn-Off Time             | $t_{OFF}$      | From UAX_, UAY_, or UAZ_ connected to COM_ to shutdown, $V_{CC} = +3.0\text{V}$ , $V_{UA\_} = +3.0\text{V}$ , $R_L = 50\Omega$ , $C_L = 10\text{pF}$ (Figure 1)               |   |       | 6   | $\mu\text{s}$ |               |
| Address Transition Time          | $t_{TRANS}$    | Switching from one active channel to another, $V_{CC} = +3.0\text{V}$ , $V_{UA\_} = +3.0\text{V}$ , $R_L = 50\Omega$ , $C_L = 10\text{pF}$                                    |   |       | 250 | $\mu\text{s}$ |               |
| Transient to Shutdown Valid Time | $t_{T00}$      | From UAX_, UAY_, or UAZ_ connected to COM_ to shutdown, $V_{CC} = +3.0\text{V}$   | 20  |       | 100 | $\mu\text{s}$ |               |
| VBUS Detection Time              | $t_{VBDET}$    | $V_{CC} = +3.0\text{V}$ , $V_{UAXY\_} = +3.0\text{V}$ , $R_L = 50\Omega$ , $C_L = 10\text{pF}$ , $V_{CB1} = +3.0\text{V}$ , $V_{CB0} = 0$ to $+5.0\text{V}$                   | 15  |       | 200 | $\mu\text{s}$ |               |
| Break-Before-Make Time Delay     | $t_{BBM}$      | Time delay between one side of the switch opening and the other side closing, $R_L = 50\Omega$ , $C_L = 10\text{pF}$ (Note 5)   | 1   |       |     | $\mu\text{s}$ |               |
| Output Skew Same Switch          | $t_{SK(P)}$    | $t_{INRISE}$ , $t_{INFALL}$ , $< 5\text{ns}$ , $t_{OUTRISE}$ , $t_{OUTFALL} < 5\text{ns}$ , Figure 2 (Note 5)   |   | 40    |     | ps            |               |

# USB 2.0 Hi-Speed and Audio Switches with Negative Signal Capability and $\pm 15\text{kV}$ ESD

## ELECTRICAL CHARACTERISTICS (continued)

( $V_{CC} = +2.7\text{V}$  to  $+5.5\text{V}$ ,  $T_A = -40^\circ\text{C}$  to  $+85^\circ\text{C}$ , unless otherwise noted. Typical values are at  $V_{CC} = +3.0\text{V}$ ,  $T_A = +25^\circ\text{C}$ , unless otherwise noted.) (Note 2)

| PARAMETER                            | SYMBOL         | CONDITIONS  | MIN  | TYP      | MAX  | UNITS            |
|--------------------------------------|----------------|---|------|----------|------|------------------|
| Output Skew Between Channels         | $t_{SK(O)}$    | $t_{INRISE}$ , $t_{INFALL} < 5\text{ns}$ , $t_{OUTRISE}$ , $t_{OUTFALL} < 5\text{ns}$ , Figure 2 (Note 5) |      | 40       |      | ps               |
| UAX_, UAY_, UAZ_<br>Off-Capacitance  | $C_{COM\_OFF}$ | $f = 240\text{MHz}$ , $V_{COM} = 0.5\text{V}_{P-P}$ , DC bias = 0 (Note 5)                                |      | 5        |      | pF               |
| COM_ On-Capacitance                  | $C_{COM\_ON}$  | $f = 240\text{MHz}$ , $V_{COM} = 0.5\text{V}_{P-P}$ , DC bias = 0 (Note 5)                                |      | 8        |      | pF               |
| <b>AC PERFORMANCE</b>                |                |   |      |          |      |                  |
| -3dB Bandwidth                       | $BW_{NO}$      | $V_{COM\_} = 0\text{dBm}$ , $R_L = 50\Omega$ , $R_S = 50\Omega$ (Figure 3)                                |      | 800      |      | MHz              |
| Off-Isolation                        | $V_{ISO}$      | $f = 100\text{kHz}$ , $V_{COM\_} = 1\text{V}_{RMS}$ , $R_L = 50\Omega$ , $R_S = 50\Omega$ (Figure 3)      |      | -65      |      | dB               |
| Crosstalk                            | $V_{CT}$       | $f = 100\text{kHz}$ , $V_{COM\_} = 1\text{V}_{RMS}$ , $R_L = 50\Omega$ , $R_S = 50\Omega$ (Figure 3)      |      | -70      |      | dB               |
| Power-Supply Rejection Ratio         | PSRR           | $f = 10\text{kHz}$ , $V_{CC} = +3.0\text{V} \pm 0.3\text{V}$ , $R_{COM\_} = 50\Omega$                     |      | 60       |      | dB               |
| Total Harmonic Distortion Plus Noise | THD+N          | $f = 20\text{Hz}$ to $20\text{kHz}$ , $V_{COM\_} = 0.5\text{V}_{P-P}$ , DC bias = 0, $R_L = 32\Omega$     |      | 0.05     |      | %                |
| <b>LOGIC INPUT</b>                   |                |   |      |          |      |                  |
| Input Logic-High                     | $V_{IH}$       |   | 1.4  |          |      | V                |
| Input Logic-Low                      | $V_{IL}$       |   |      |          | 0.4  | V                |
| Input Logic Hysteresis               | $V_{HYST}$     | (Note 5)  |      | 100      |      | mV               |
| Input Leakage Current                | $I_{IN}$       | $V_{CB0} = V_{CC} = +3.3\text{V}$ (MAX14531E) (Note 5)  |      | 4        |      | $\mu\text{A}$    |
|                                      |                | $V_{CB0} = 0$ , $V_{CC} = +5.5\text{V}$   | -250 |          | +250 | nA               |
|                                      |                | $V_{CB1} = 0$ or $+5.5\text{V}$   | -250 |          | +250 |                  |
| CB0 Pulldown Resistor                | $R_{CB0}$      | MAX14532E/MAX14533E/MAX14534E   | 500  | 1000     | 1500 | $\text{k}\Omega$ |
| <b>ESD PROTECTION</b>                |                |   |      |          |      |                  |
| All Pins                             |                | Human Body Model  |      | $\pm 2$  |      | kV               |
| COM1, COM2                           |                | Human Body Model  |      | $\pm 15$ |      | kV               |

**Note 2:** All devices are 100% production tested at  $T_A = +25^\circ\text{C}$ . All temperature limits are guaranteed by design.

**Note 3:**  $\Delta R_{ON} = \text{ABS}(R_{ON(CH1)} - R_{ON(CH2)})$

**Note 4:** Flatness is defined as the difference between the maximum and minimum value of on-resistance, as measured over specified analog signal ranges.

**Note 5:** Guaranteed by design.

# USB 2.0 Hi-Speed and Audio Switches with Negative Signal Capability and ±15kV ESD

## Test Circuits/Timing Diagrams

MAX14531E-MAX14534E

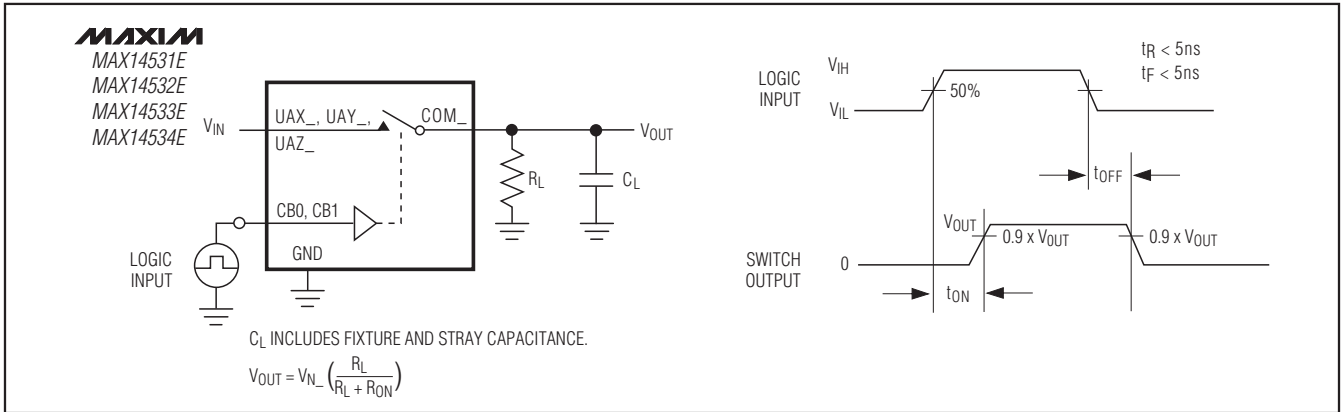


Figure 1. Switching Time

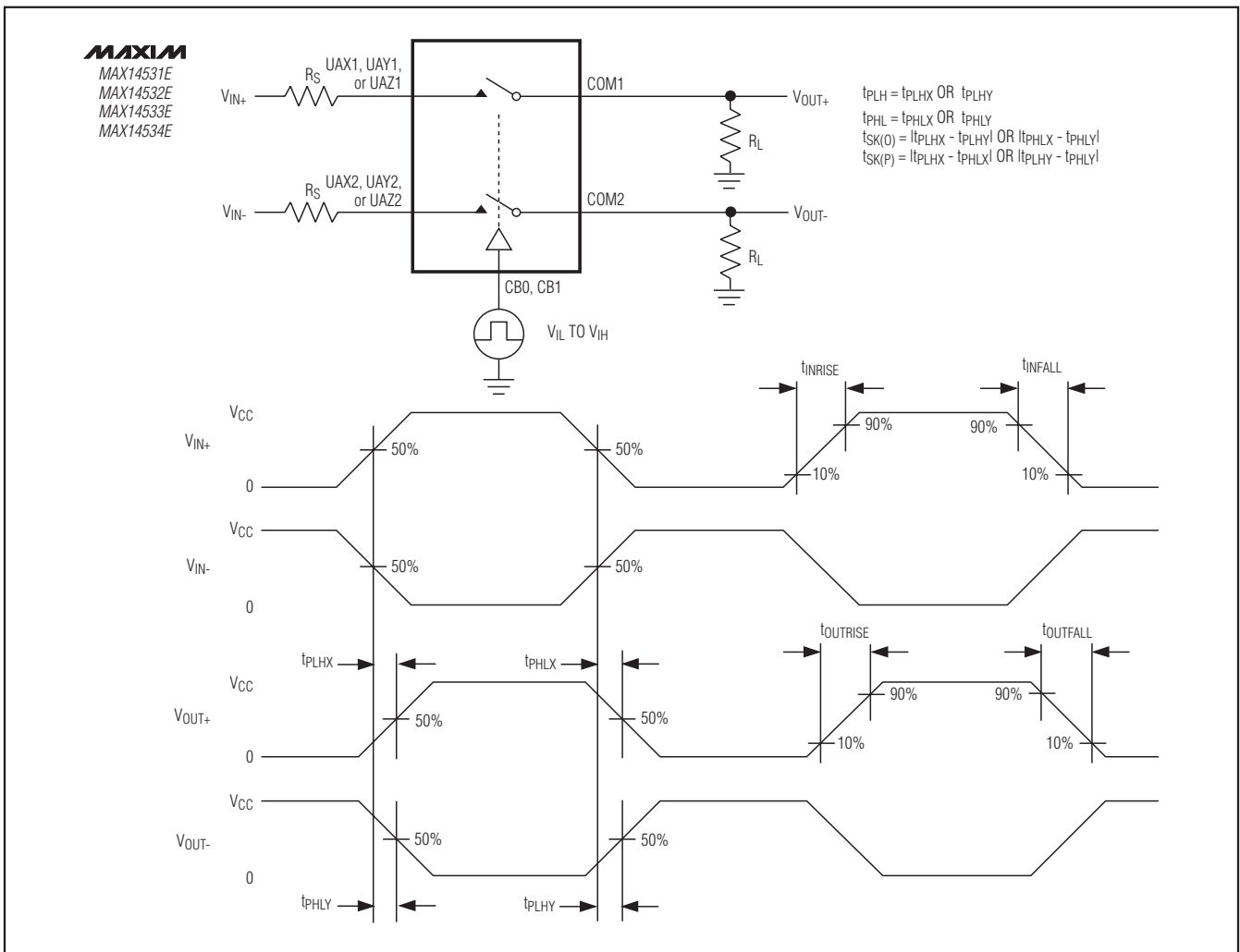


Figure 2. Output Skew

# USB 2.0 Hi-Speed and Audio Switches with Negative Signal Capability and ±15kV ESD

## Test Circuits/Timing Diagrams (continued)

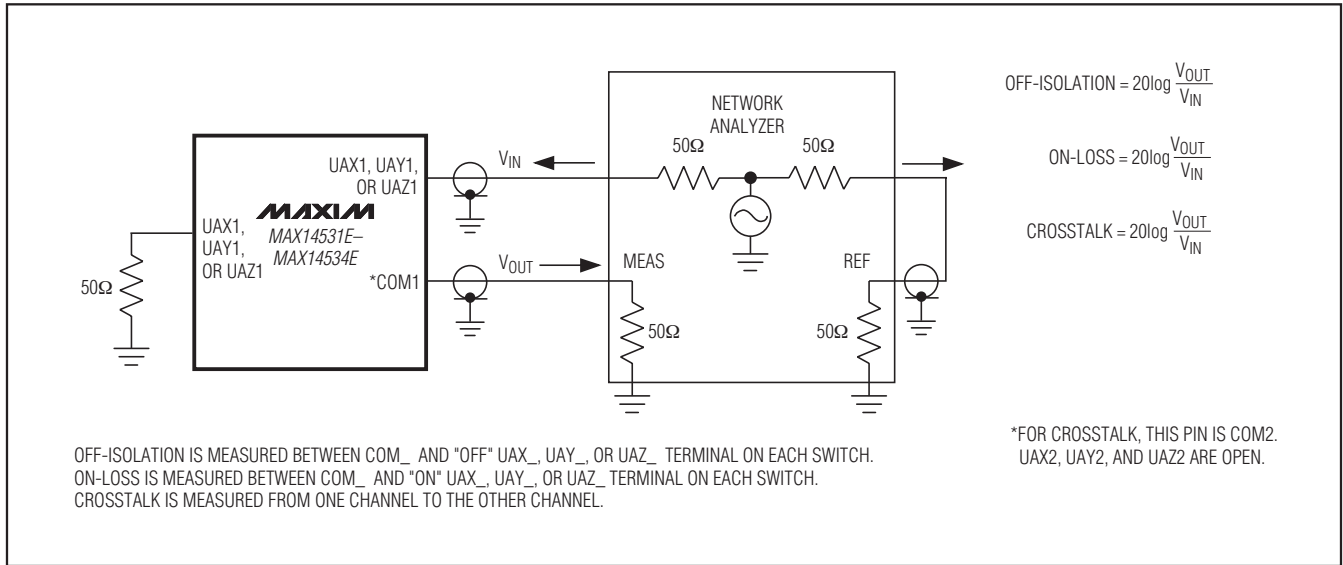


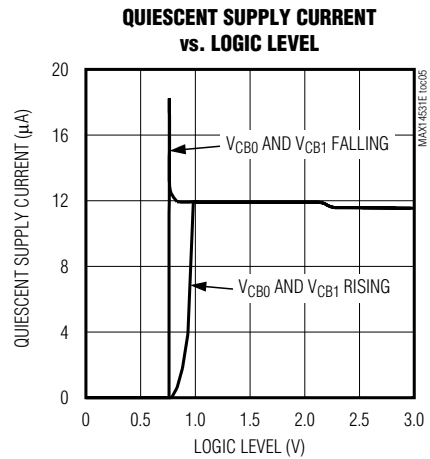
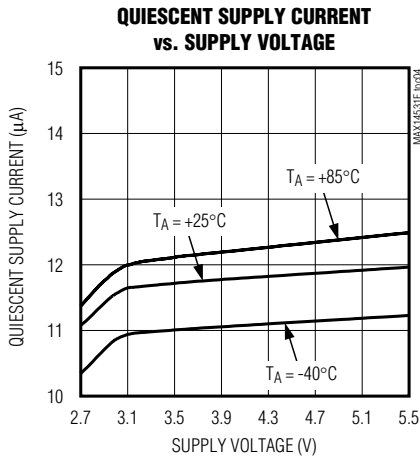
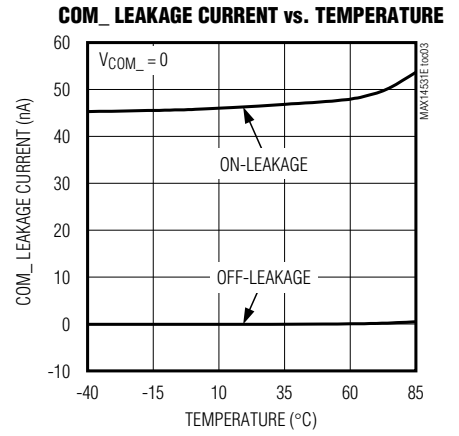
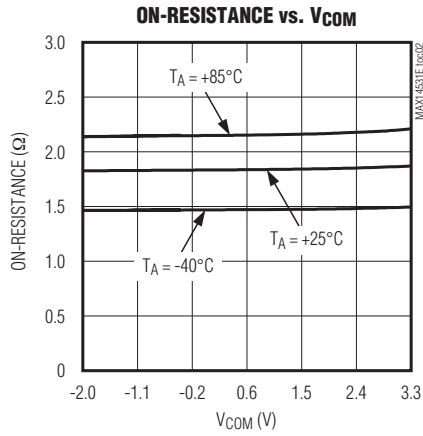
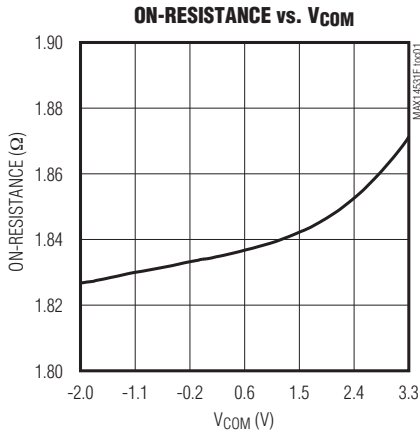
Figure 3. On-Loss, Off-Isolation, and Crosstalk

# USB 2.0 Hi-Speed and Audio Switches with Negative Signal Capability and $\pm 15\text{kV}$ ESD

## Typical Operating Characteristics

( $V_{CC} = +3.0\text{V}$ ,  $T_A = +25^\circ\text{C}$ , unless otherwise noted.)

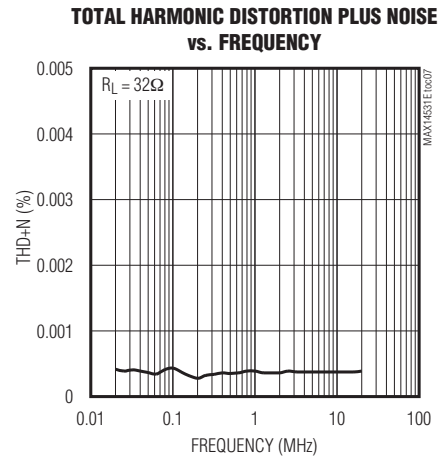
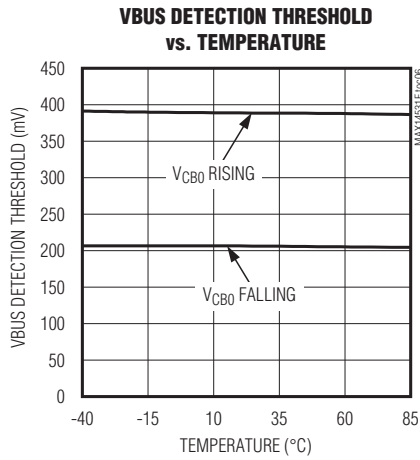
MAX14531E-MAX14534E



# USB 2.0 Hi-Speed and Audio Switches with Negative Signal Capability and ±15kV ESD

## Typical Operating Characteristics (continued)

( $V_{CC} = +3.0V$ ,  $T_A = +25^\circ C$ , unless otherwise noted.)



## Pin Description

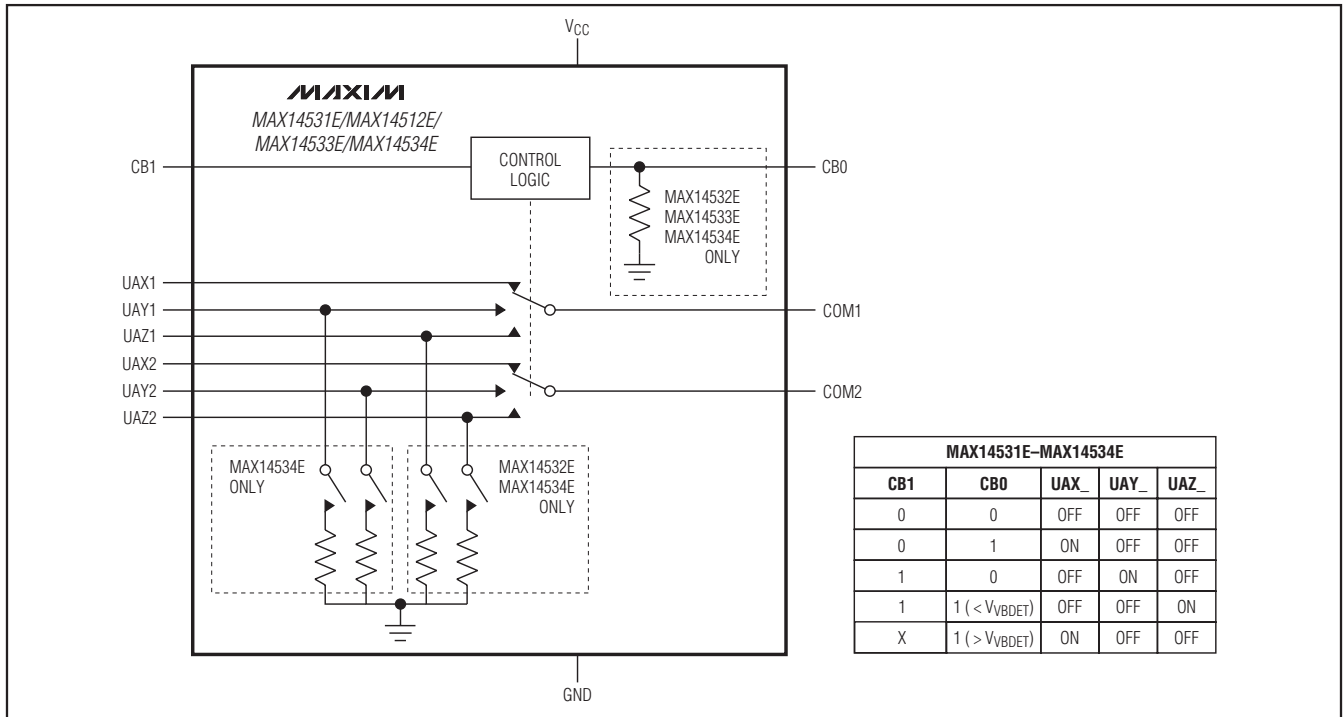
| PIN | NAME            | FUNCTION  |
|-----|-----------------|---|
| A1  | CB0             | Control Input 0   |
| A2  | UAZ1            | USB/Audio Input Z1  |
| A3  | UAZ2            | USB/Audio Input Z2  |
| A4  | COM1            | Common Terminal 1   |
| B1  | V <sub>CC</sub> | Positive Supply Voltage Input. Bypass V <sub>CC</sub> to GND with a 0.1μF ceramic capacitor as close as possible to the device. |
| B2  | UAX1            | USB/Audio Input X1  |
| B3  | UAX2            | USB/Audio Input X2  |
| B4  | GND             | Ground  |
| C1  | CB1             | Control Input 1   |
| C2  | UAY1            | USB/Audio Input Y1  |
| C3  | UAY2            | USB/Audio Input Y2  |
| C4  | COM2            | Common Terminal 2   |



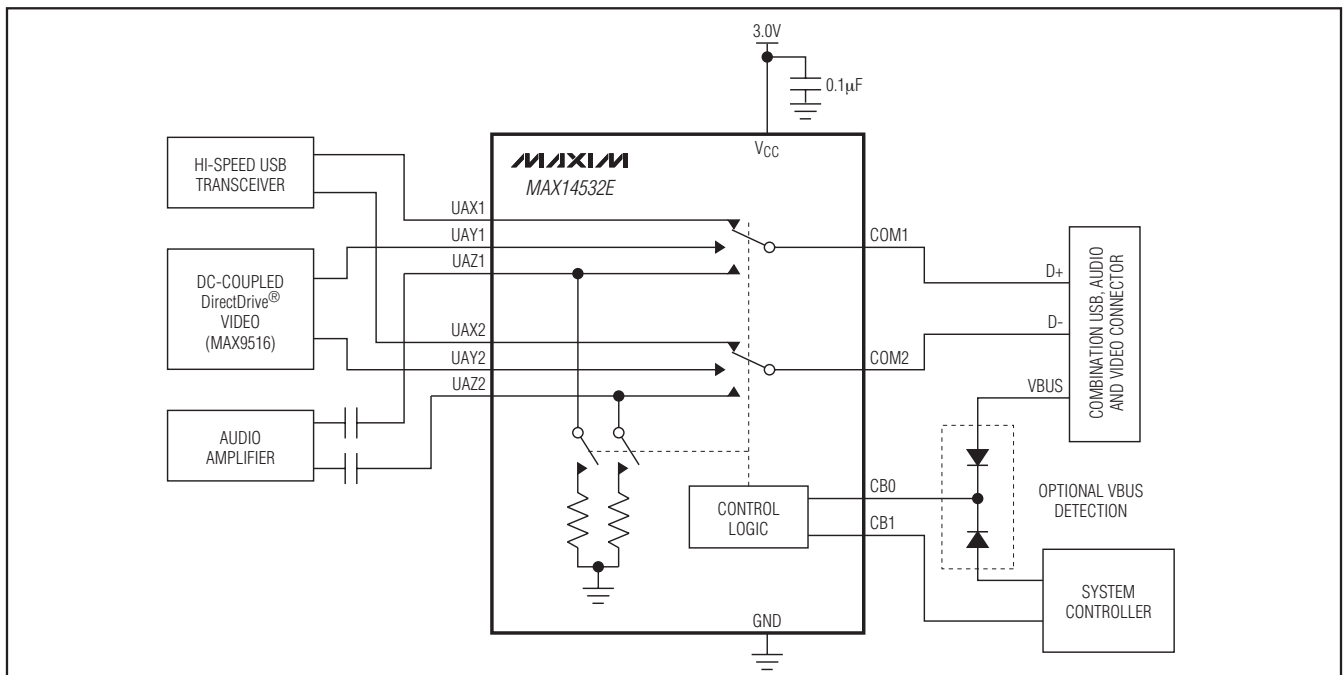
# USB 2.0 Hi-Speed and Audio Switches with Negative Signal Capability and $\pm 15\text{kV}$ ESD

## Functional Diagram/Truth Table

MAX14531E-MAX14534E



## Typical Application Circuit



DirectDrive is a trademark of Maxim Integrated Products, Inc.

# USB 2.0 Hi-Speed and Audio Switches with Negative Signal Capability and ±15kV ESD

## Detailed Description

The MAX14531E–MAX14534E are high ESD-protected single DP3T switches that operate from a +2.7V to +5.5V supply and are designed to multiplex USB 2.0 Hi-Speed signals and AC-coupled analog signals. These switches combine the low on-capacitance ( $C_{ON}$ ) and low on-resistance ( $R_{ON}$ ) necessary for high-performance switching applications. These devices also meet the requirements for USB low-speed and full-speed signaling. The negative signal capability of all three channels allows signals below ground to pass through without distortion.

### Analog Signal Levels

The MAX14531E–MAX14534E are bidirectional, allowing UAX\_, UAY\_, UAZ\_, and COM\_ to be configured as either inputs or outputs. Note that UAX\_, UAY\_, and UAZ\_ are only protected against ESD up to ±2kV (Human Body Model) and may require additional ESD protection if used as outputs. These devices feature a charge pump that generates a negative supply to allow analog signals as low as -2.0V applied to UAX\_, UAY\_, UAZ\_, or COM\_. The negative charge pump is only active when the part is enabled ( $CB0$  or  $CB1 = 1$ ). Connect negative signals to UAX\_, UAY\_, UAZ\_, or COM\_ only when the device is enabled.

### VBUS Detection

The MAX14531E–MAX14534E feature a VBUS detection input ( $CB0$ ) that connects COM\_ to UAX\_ when  $V_{CB0}$  exceeds the VBUS detection threshold ( $V_{VBDET}$ ) (see the *Functional Diagram/Truth Table*). Note that the MAX14531E requires an external pulldown resistor when using this function.

### Digital Control Inputs

The MAX14531E–MAX14534E provide control logic inputs,  $CB0$  and  $CB1$ , to control the switch position as shown in the *Functional Diagram/Truth Table*. Drive  $CB_$  rail-to-rail to minimize power consumption.

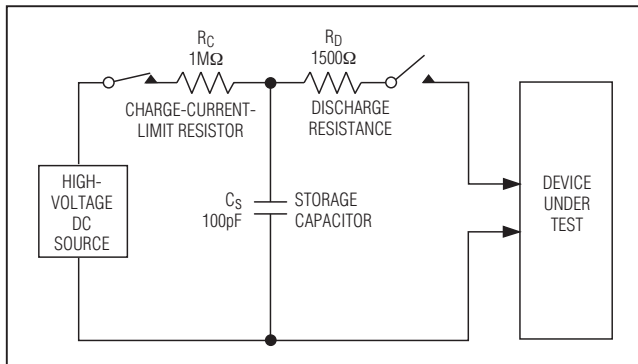


Figure 4. Human Body ESD Test Model

## Shutdown Mode

The MAX14531E–MAX14534E feature a shutdown mode to reduce the supply current to less than 1μA and place the switches in high impedance. Drive both  $CB0$  and  $CB1$  low to place the devices in shutdown mode (see the *Functional Diagram/Truth Table*.)

## Click-and-Pop Suppression

The switched 100Ω shunt resistors on the MAX14532E/MAX14534E automatically discharge any capacitance at the UAZ\_ (MAX14532E) or UAY\_ and UAZ\_ (MAX14534E) inputs when they are unconnected from COM\_ (see the *Functional Diagram/Truth Table*). This reduces audio click-and-pop sounds that may occur when switching to audio sources.

## Applications Information

### Extended ESD Protection

ESD-protection structures are incorporated on all pins to protect against electrostatic discharges up to ±2kV (Human Body Model) encountered during handling and assembly. COM1 and COM2 are further protected against ESD up to ±15kV (Human Body Model) without damage. The ESD structures withstand high ESD both in normal operation and when the device is powered down. After an ESD event, the MAX14531E–MAX14534E continue to function without latchup.

### ESD Test Conditions

ESD performance depends on a variety of conditions. Contact Maxim for a reliability report that documents test setup, test methodology, and test results.

### Human Body Model

Figure 4 shows the Human Body Model, and Figure 5 shows the current waveform it generates when discharged into a low impedance. This model consists of a 100pF capacitor charged to the ESD voltage of interest that is then discharged into the device through a 1.5kΩ resistor.

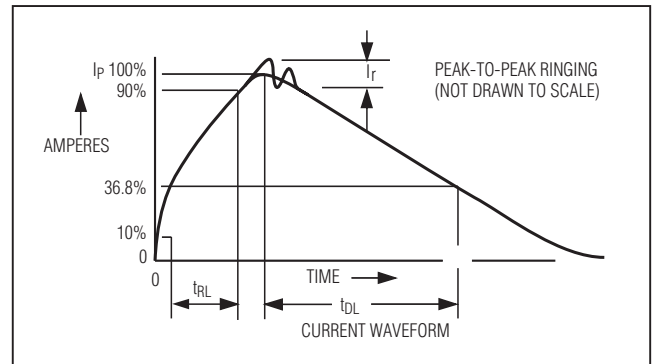


Figure 5. Human Body Current Waveform

# USB 2.0 Hi-Speed and Audio Switches with Negative Signal Capability and $\pm 15\text{kV}$ ESD

## Layout

USB Hi-Speed requires careful PCB layout with  $45\Omega$  single-ended/ $90\Omega$  differential controlled impedance matched traces of equal lengths. Ensure that bypass capacitors are as close as possible to the device. Use large ground planes where possible.

## Power-Supply Sequencing

**Caution: Do not exceed the absolute maximum ratings because stresses beyond the listed ratings may cause permanent damage to the device.**

Proper power-supply sequencing is recommended for all devices. Apply  $V_{CC}$  before applying analog signals, especially if the analog signal is not current limited.

## Chip Information

PROCESS: BiCMOS

## Package Information

For the latest package outline information and land patterns, go to [www.maxim-ic.com/packages](http://www.maxim-ic.com/packages).

| PACKAGE TYPE | PACKAGE CODE | DOCUMENT NO.            |
|--------------|--------------|-------------------------|
| 12 WLP       | W121A2-1     | <a href="#">21-0009</a> |

MAX14531E-MAX14534E

Maxim cannot assume responsibility for use of any circuitry other than circuitry entirely embodied in a Maxim product. No circuit patent licenses are implied. Maxim reserves the right to change the circuitry and specifications without notice at any time.

Maxim Integrated Products, 120 San Gabriel Drive, Sunnyvale, CA 94086 408-737-7600 \_\_\_\_\_ 11



Компания «ЭлектроПласт» предлагает заключение долгосрочных отношений при поставках импортных электронных компонентов на взаимовыгодных условиях!

Наши преимущества:

- Оперативные поставки широкого спектра электронных компонентов отечественного и импортного производства напрямую от производителей и с крупнейших мировых складов;
- Поставка более 17-ти миллионов наименований электронных компонентов;
- Поставка сложных, дефицитных, либо снятых с производства позиций;
- Оперативные сроки поставки под заказ (от 5 рабочих дней);
- Экспресс доставка в любую точку России;
- Техническая поддержка проекта, помощь в подборе аналогов, поставка прототипов;
- Система менеджмента качества сертифицирована по Международному стандарту ISO 9001;
- Лицензия ФСБ на осуществление работ с использованием сведений, составляющих государственную тайну;
- Поставка специализированных компонентов (Xilinx, Altera, Analog Devices, Intersil, Interpoint, Microsemi, Aeroflex, Peregrine, Syfer, Eurofarad, Texas Instrument, Miteq, Cobham, E2V, MA-COM, Hittite, Mini-Circuits, General Dynamics и др.);

Помимо этого, одним из направлений компании «ЭлектроПласт» является направление «Источники питания». Мы предлагаем Вам помощь Конструкторского отдела:

- Подбор оптимального решения, техническое обоснование при выборе компонента;
- Подбор аналогов;
- Консультации по применению компонента;
- Поставка образцов и прототипов;
- Техническая поддержка проекта;
- Защита от снятия компонента с производства.



#### Как с нами связаться

**Телефон:** 8 (812) 309 58 32 (многоканальный)

**Факс:** 8 (812) 320-02-42

**Электронная почта:** [org@eplast1.ru](mailto:org@eplast1.ru)

**Адрес:** 198099, г. Санкт-Петербург, ул. Калинина, дом 2, корпус 4, литера А.