

PLEASE CHECK WWW.MOLEX.COM FOR LATEST PART INFORMATION

Part Number: [5015942611](#)
Status: **Active**
Overview: [slimstack_mm016_pitch](#)
Description: 0.40mm (.016") Pitch SlimStack™ Board-to-Board Plug, SMT, Dual Row, Vertical Stacking, 0.90mm (.035") Stacking Height, With Solder Tabs, 26 Circuits

Documents:

[3D Model](#) [RoHS Certificate of Compliance \(PDF\)](#)
[Drawing \(PDF\)](#)

General

Product Family	PCB Headers
Series	501594
Application	Board-to-Board
Overview	slimstack_mm016_pitch
Product Name	SlimStack™

Physical

Breakaway	No
Circuits (Loaded)	26
Color - Resin	Black
Durability (mating cycles max)	20
Glow-Wire Compliant	No
Lock to Mating Part	Yes
Mated Height (in)	0.035 In
Mated Height (mm)	0.90 mm
Material - Metal	Phosphor Bronze
Material - Plating Mating	Gold
Number of Rows	2
Orientation	Vertical
PCB Locator	No
PCB Retention	Yes
Packaging Type	Embossed Tape on Reel
Pitch - Mating Interface (in)	0.016 In
Pitch - Mating Interface (mm)	0.40 mm
Polarized to Mating Part	No
Polarized to PCB	No
Stackable	No
Surface Mount Compatible (SMC)	Yes
Temperature Range - Operating	-25°C to +85°C
Termination Interface: Style	Surface Mount

Electrical

Current - Maximum per Contact	0.3A
Voltage - Maximum	50V AC (RMS)/DC

Material Info

Reference - Drawing Numbers

Packaging Specification	SPK-501594-001
Product Specification	RPS-501591-010, RPS-501591-012, RPS-501591-016, RPS-501591-019
Sales Drawing	SD-501594-005, SD-501594-006

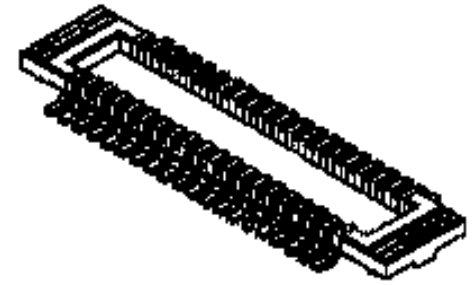


image - Reference only

Series

EU RoHS

**ELV and RoHS
Compliant**
REACH SVHC
 Not Reviewed
**Halogen-Free
Status**
 Not Reviewed

China RoHS



**Need more information on product
environmental compliance?**

Email productcompliance@molex.com
 For a multiple part number RoHS Certificate of
 Compliance, [click here](#)

Please visit the [Contact Us](#) section for any
 non-product compliance questions.

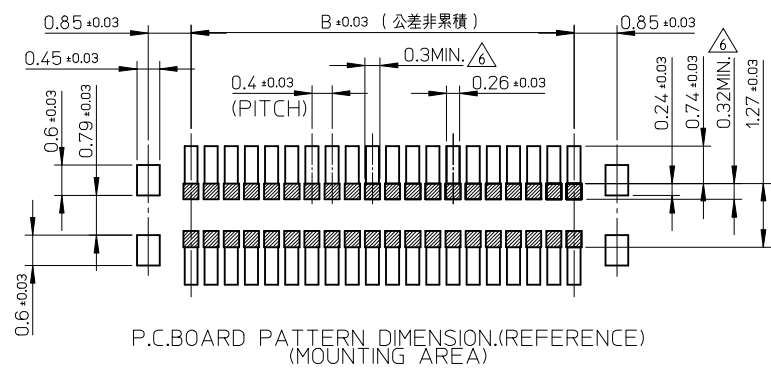
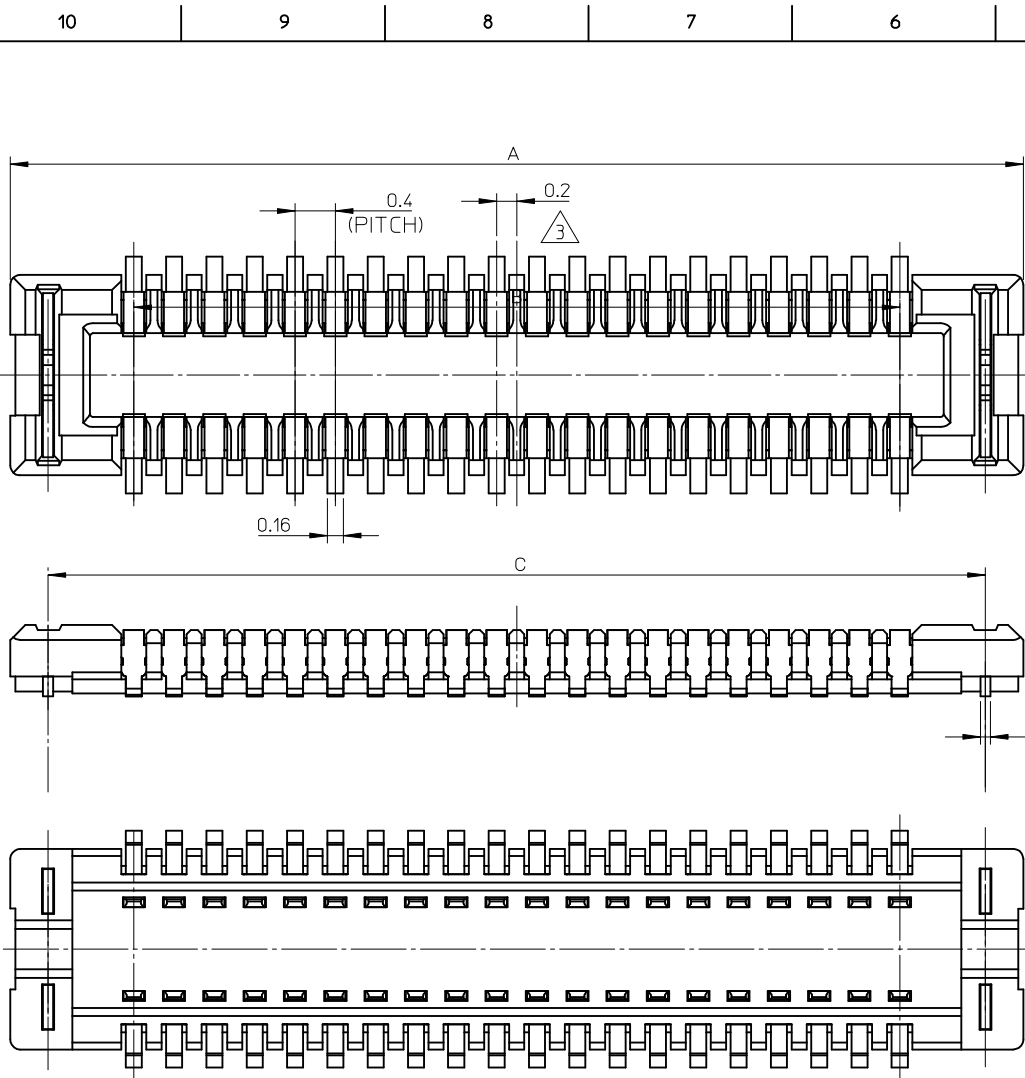
Search Parts in this Series

[501594Series](#)

Mates With

[501591](#) SlimStack™ Board-to-Board
 Receptacle

PLEASE CHECK WWW.MOLEX.COM FOR LATEST PART INFORMATION



15.3	13.6	16.05	501594-7011	501594-7010	70
12.1	10.4	12.85	501594-5411	501594-5410	54
11.3	9.6	12.05	501594-5011	501594-5010	50
10.1	8.4	10.85	501594-4411	501594-4410	44
9.3	7.6	10.05	501594-4011	501594-4010	40
8.1	6.4	8.85	501594-3411	501594-3410	34
7.3	5.6	8.05	501594-3011	501594-3010	30
6.5	4.8	7.25	501594-2611	501594-2610	26
6.1	4.4	6.85	501594-2411	501594-2410	24
5.7	4.0	6.45	501594-2211	501594-2210	22
5.3	3.6	6.05	501594-2011	501594-2010	20
3.7	2.0	4.45	501594-1211	501594-1210	12
3.3	1.6	4.05	501594-1011	501594-1010	10
C	B	A	EMBOSSED TAPE PACKAGE	MATERIAL NO.	CIRCUIT
			ORDER No.		

REVISED EC NO: J2008-3370 DRW:KSEI 2008/06/17 CHK:D:MSASAO 2008/06/17 APPR:MSASAO 2008/06/25	GENERAL TOLERANCES (UNLESS SPECIFIED)		DIMENSION STYLE MM ONLY		SCALE ---	DESIGN UNITS METRIC	THIRD ANGLE PROJECTION
	10 UNDER	± 0.2	DRAWN BY T. ASAKAWA	DATE 2006/07/10	TITLE 0.4MM PITCH B/B CONN. H=0.9 W=3.4 PLUG ASSY		
	10 OVER 30 UNDER	± 0.25	CHECKED BY M. SASAO	DATE 2006/07/10	MOLEX INCORPORATED		
	30 OVER	± 0.3	APPROVED BY M. SASAO	DATE 2006/07/10	MATERIAL NO. SEE TABLE	DOCUMENT NO. SD-501594-005	SHEET NO. 1 OF 2
	ANGULAR ± 3 ° DRAFT WHERE APPLICABLE MUST REMAIN WITHIN DIMENSIONS		THIS DRAWING CONTAINS INFORMATION THAT IS PROPRIETARY TO MOLEX INCORPORATED AND SHOULD NOT BE USED WITHOUT WRITTEN PERMISSION				

注記 NOTES

1.使用材料
MATERIAL

ハウジング：液晶ポリマー (LCP) ガラス充填 UL-94V-0 (黒)
HOSING : LIQUID CRYSTAL POLYMER (GLASS FILLED) UL94V-0 (COLOR:BLACK)

ターミナル：りん青銅 (t=0.08)
TERMINAL : PHOSHOR BRONZE (t=0.08)

金具：りん青銅 (t=0.1)
FITTING NAIL : PHOSHOR BRONZE (t=0.1)

2.メッキ仕様
PLATING

ターミナル
TERMINAL

金メッキ 0.1マイクロメートル以上 (コンタクト部)
GOLD 0.1 MICROMETER MINIMUM (CONTACT AERA)

金メッキ 0.03マイクロメートル以上 (テール部)
GOLD 0.03 MICROMETER MINIMUM (TAIL AERA)

下地メッキ：ニッケルメッキ 1.0 マイクロメートル以上
UNDER PLATING : NICKEL 1.0 MICROMETER MINIMUM

金具
FITTING NAIL

錫メッキ :1.0マイクロメートル以上
TIN PLATING :1.0 MICROMETER MINIMUM

下地メッキ :ニッケル1.0マイクロメートル以上
UNDER PLATING :NICKEL 1.0 MICROMETER MINIMUM

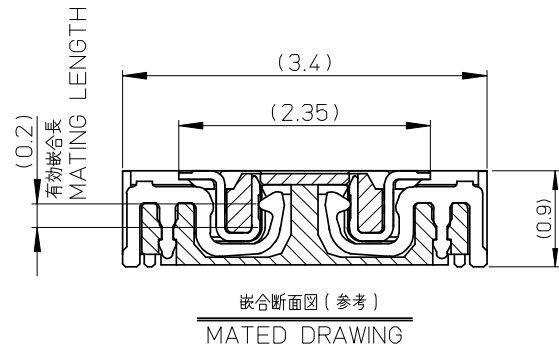
③ (全極数/2)=偶数の場合に適用
APPLY FOR (CIRCUIT/2)=EVEN

4.嵌合相手 : 501591-**10シリーズ
WITH MATE : 501591-**10SERIES

5.テール及び金具の平坦度は、0.1以下
TAIL AND FITTING NAIL COPLANARITY TO BE 0.1 MAXIMUM

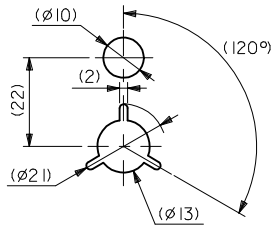
⑥ 斜線部はパターン書き込み禁止範囲と半田禁止範囲を示す。
ただし、斜線部に同一配線を配置する場合はレジストを施し、この部分に半田は無きこと。
NO PATTERN CIRCUIT AND NO SOLDER ALLOWED IN THE SHADED AREA.
HOWEVER, IF NEEDED TO ADD A TRACE OF THE SAME CIRCUIT, PUT THE SOLDER-RESIST,
YET NO SOLDER ALLOWED IN THE AREA.

7.ELV AND RoHS COMPLIANT.

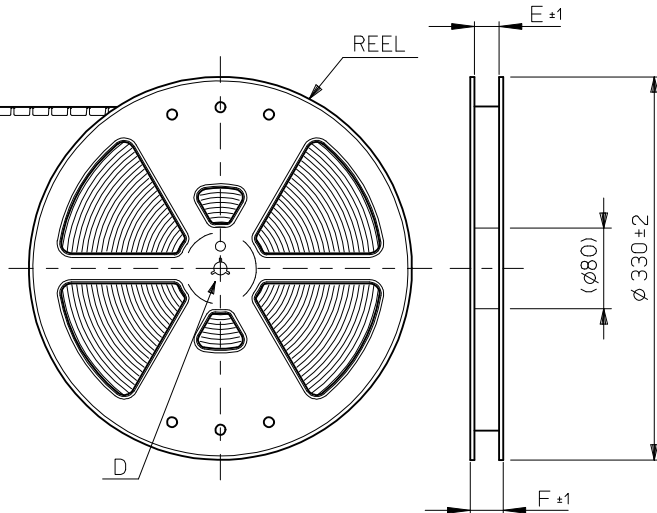


REVISED EC NO: J2008-3370 DRW:KSETO 2008/06/17 CHK:D*SASAO 2008/06/17 APPR:W*SASAO 2008/06/25 DESCRIPTION REV	GENERAL TOLERANCES (UNLESS SPECIFIED)		DIMENSION STYLE MM ONLY		SCALE ---	DESIGN UNITS METRIC	THIRD ANGLE PROJECTION	
	10 UNDER	±0.2	DRAWN BY T. ASAKAWA	DATE 2006/07/10	TITLE 0.4MM PITCH B/B CONN. H=0.9 W=3.4 PLUG ASSY			
	10 OVER 30 UNDER	±0.25	CHECKED BY M. SASAO	DATE 2006/07/10				
	30 OVER	±0.3	APPROVED BY M. SASAO	DATE 2006/07/10	MOLEX INCORPORATED MATERIAL NO. SEE SHEET 1 DOCUMENT NO. SD-501594-005 SHEET NO. 2 OF 2			
	ANGULAR	±3 °	DRAFT WHERE APPLICABLE MUST REMAIN WITHIN DIMENSIONS					

引き出し方向
PULL OUT DIRECTION

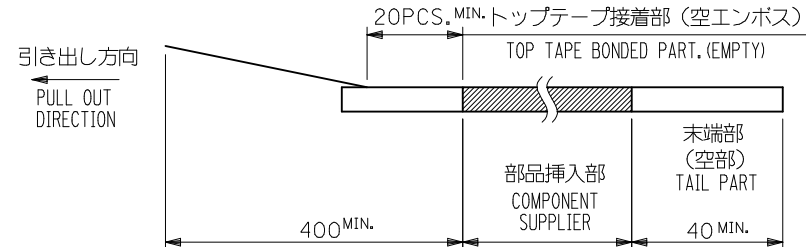


DETAIL D

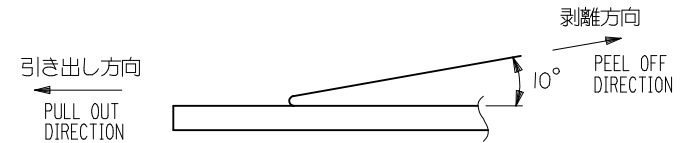


NOTES

- 製品詳細寸法については製品単体図面を参照下さい。
RE DETAILED DIMENSION, SEE PRODUCT DRAWING.
- 梱包数量：3000 個/リール
NUMBER OF CONNECTORS : 3000 PCS/REEL
- リードテープ長さ LEAD TAPE LENGTH



- トップテープの剥離強度：JES-59 参照
剥離方向は下図参照。
PEELING OFF STRENGTH OF TOP TAPE : REFER TO JES-59
PEELING DIRECTION AS SHOWN IN FOLLOWING FIGURE.

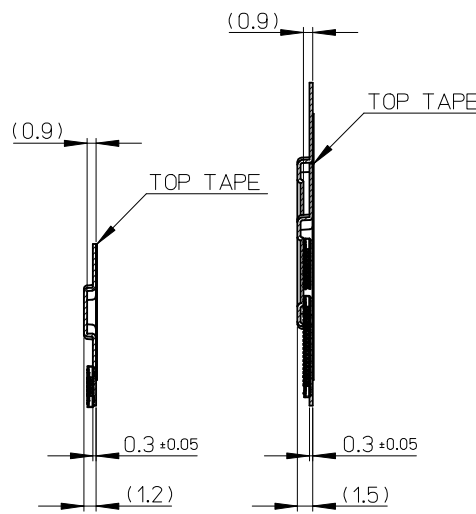


- 材料 MATERIAL
キャリアテープ (CARRIER TAPE) : ポリスチレン (POLYSTYRENE)
トップテープ (TOPTAPE) : PET , PE , PEF
リール (REEL) : ポリスチレン (PS) <リサイクル材を含む>
POLYSTYRENE (PS) <RECYCLE MATERIAL CONTAINED>

6.ELV AND RoHS COMPLIANT.

REVISED EC NO.: J2008-3370 2008/06/17 DRW:KSETO 2008/06/17 CHKD:MSASAO 2008/06/17 APPR:MSASAO 2008/06/25	DESCRIPTION D	GENERAL TOLERANCES (UNLESS SPECIFIED)		DIMENSION STYLE MM ONLY		SCALE ---	501594-**11	MODEL NO.	
		10 UNDER	±0.2	DRAWN BY TASAKAWA	DATE 2006/07/10	TITLE	0.4MM PITCH B/B CONN. PLUG ASSY (HGT=0.9) EMBSTP PKG		
		10 OVER 30 UNDER	±0.25	CHECKED BY MSASAO	DATE 2006/07/10	MOLEX INCORPORATED			
		30 OVER	±0.3	APPROVED BY MSASAO	DATE 2006/07/10				
ANGULAR ±3 °		DRAFT WHERE APPLICABLE MUST REMAIN WITHIN DIMENSIONS		MATERIAL NO. SEE SHEET 1		DOCUMENT NO. SD-501594-006		SHEET NO. 1 OF 2	
SIZE A3 THIS DRAWING CONTAINS INFORMATION THAT IS PROPRIETARY TO MOLEX INCORPORATED AND SHOULD NOT BE USED WITHOUT WRITTEN PERMISSION									

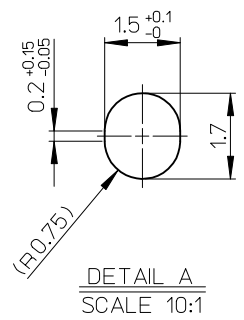
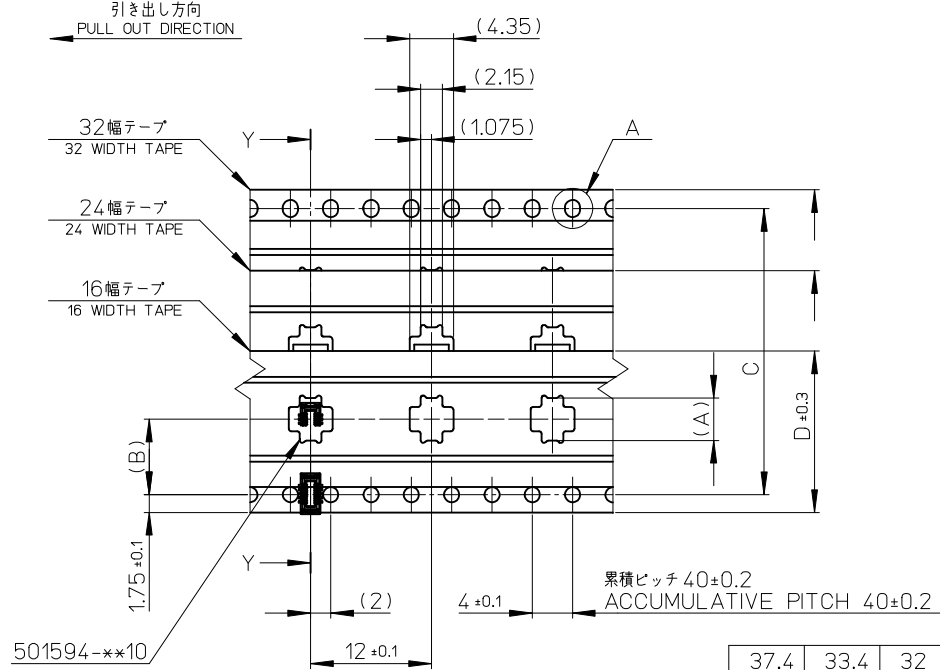
10 9 8 7 6 5 4 3 2 1



SECT Y-Y
(FOR 16 WIDTH TAPE)

SECT Y-Y
(FOR 24 WIDTH TAPE
AND 32 WIDTH TAPE)

引き出し方向
PULL OUT DIRECTION



37.4	33.4	32	28.4	14.2	16.21	501594-7011	70
29.4	25.4	24	—	11.5	13.01	501594-5411	54
					12.21	501594-5011	50
					11.01	501594-4411	44
					10.21	501594-4011	40
					9.01	501594-3411	34
					8.21	501594-3011	30
					7.41	501594-2611	26
21.4	17.4	16	—	7.5	7.01	501594-2411	24
					6.61	501594-2211	22
					6.21	501594-2011	20
F	E	D	C	(B)	4.61	501594-1211	12
					4.21	501594-1011	10
					(A)	MATERIAL NO.	極数 CKT.

REVISED EC NO: J2008-3370 DRW:KSETO 2008/06/17 CHK:D:MSASAO 2008/06/17 APPR:MSASAO 2008/06/25 REV:	GENERAL TOLERANCES (UNLESS SPECIFIED)		DIMENSION STYLE MM ONLY		SCALE ---	DESIGN UNITS METRIC	MODEL NO. 501594-**11
	10 UNDER	± 0.2	DRAWN BY TASAKAWA	DATE 2006/07/10	TITLE 0.4MM PITCH B/B CONN. PLUG ASSY (HGT=0.9) EMBSTP PKG		
	10 OVER 30 UNDER	± 0.25	CHECKED BY MSASAO	DATE 2006/07/10	MOLEX INCORPORATED		
	30 OVER	± 0.3	APPROVED BY MSASAO	DATE 2006/07/10	MATERIAL NO. SEE TABLE		
	ANGULAR ± 3 °		DRAFT WHERE APPLICABLE MUST REMAIN WITHIN DIMENSIONS		DOCUMENT NO. SD-501594-006		SHEET NO. 2 OF 2



Компания «ЭлектроПласт» предлагает заключение долгосрочных отношений при поставках импортных электронных компонентов на взаимовыгодных условиях!

Наши преимущества:

- Оперативные поставки широкого спектра электронных компонентов отечественного и импортного производства напрямую от производителей и с крупнейших мировых складов;
- Поставка более 17-ти миллионов наименований электронных компонентов;
- Поставка сложных, дефицитных, либо снятых с производства позиций;
- Оперативные сроки поставки под заказ (от 5 рабочих дней);
- Экспресс доставка в любую точку России;
- Техническая поддержка проекта, помощь в подборе аналогов, поставка прототипов;
- Система менеджмента качества сертифицирована по Международному стандарту ISO 9001;
- Лицензия ФСБ на осуществление работ с использованием сведений, составляющих государственную тайну;
- Поставка специализированных компонентов (Xilinx, Altera, Analog Devices, Intersil, Interpoint, Microsemi, Aeroflex, Peregrine, Syfer, Eurofarad, Texas Instrument, Miteq, Cobham, E2V, MA-COM, Hittite, Mini-Circuits, General Dynamics и др.);

Помимо этого, одним из направлений компании «ЭлектроПласт» является направление «Источники питания». Мы предлагаем Вам помощь Конструкторского отдела:

- Подбор оптимального решения, техническое обоснование при выборе компонента;
- Подбор аналогов;
- Консультации по применению компонента;
- Поставка образцов и прототипов;
- Техническая поддержка проекта;
- Защита от снятия компонента с производства.



Как с нами связаться

Телефон: 8 (812) 309 58 32 (многоканальный)

Факс: 8 (812) 320-02-42

Электронная почта: org@eplast1.ru

Адрес: 198099, г. Санкт-Петербург, ул. Калинина, дом 2, корпус 4, литера А.