

Constant Current LED Drivers

# 50V 500mA

# 1ch Source Driver for Automotive

**BD8374HFP-M BD8374EFJ-M**

**General Description**

BD8374HFP-M and BD8374EFJ-M are 50V-withstanding LED source drivers. Most suitably for Automotive LED driving, it can control light through PWM of constant current output.

Having LED open/short detective circuit and overvoltage mute functions integrated, it can deliver high reliability.

Also by utilizing our patented PBUS function, it is possible to turn OFF all LEDs in case where a row of LEDs are short/open-circuited if multiple rows of LEDs are driven through multiple number of the ICs.

**Features**

- AEC-Q100 Qualified
- Variable form Constant-Current Source Driver
- PWM Dimming Function
- CR Timer for PWM Dimming Function Integrated
- LED Open/Short detective Circuit Function Integrated
- Overvoltage Mute and Temperature Protection Functions Integrated
- Abnormal Output Detection and Output Functions (PBUS)

**Application**

- On-board Exterior Lamp  
(Rear Lamp, Turn Lamp, DRL/Position Lamp, Fog Lamp, etc.)
- On-board Interior Lamp  
(Air Conditioner Lamp, Interior Lamp, Cluster Light, etc.)

**Key Specifications**

- Input Voltage Range: 4.5V to 42V
- Max Output Current: 500mA (Max)
- Output Current Accuracy: ±5% (Max)
- Operating Temperature Range: -40°C to +125°C

**Packages**

HRP7  
HTSOP-J8

W(Typ) x D(Typ) x H(Max)  
9.395mm x 10.540mm x 2.005mm  
4.90mm x 6.00mm x 1.00mm



HRP7



HTSOP-J8

**Basic Application Circuit**

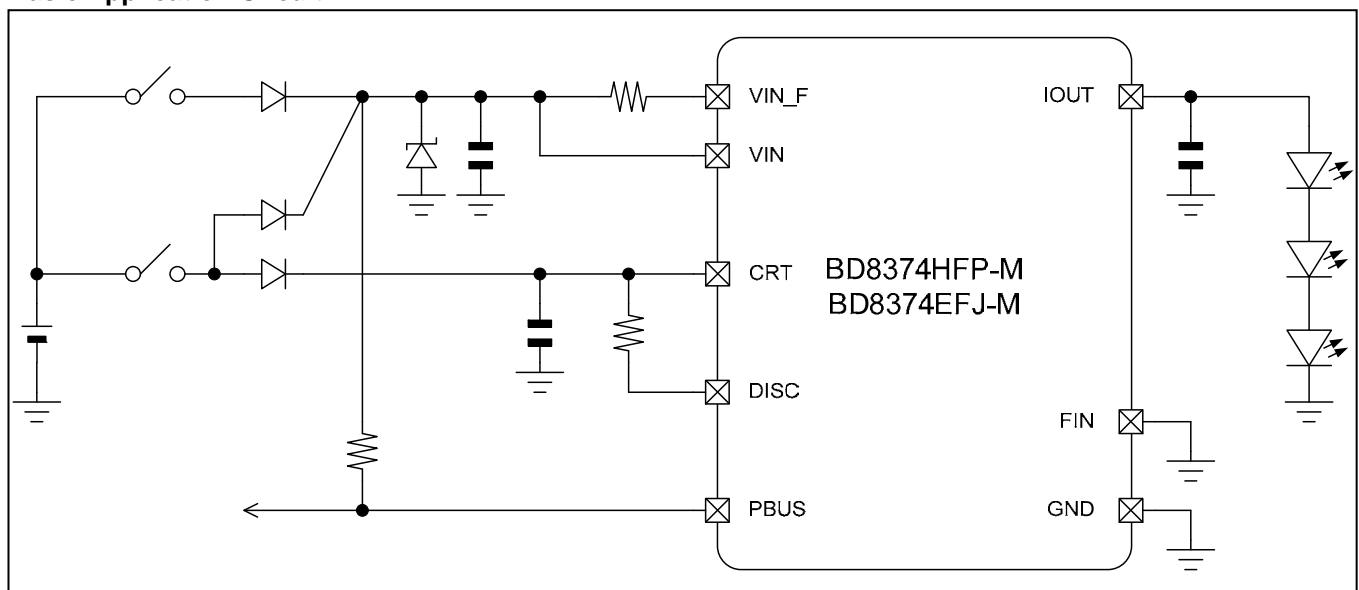


Figure 1. Typical Application Circuit

○ Product configuration: Silicon monolithic integrated circuit ○ The product is not designed for radiation resistance.

Pin Configurations

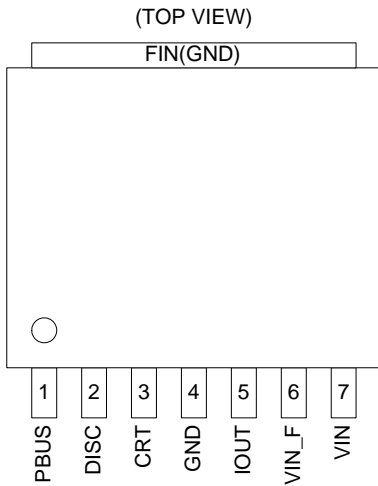


Figure 2. HRP7 Package Pin Configuration

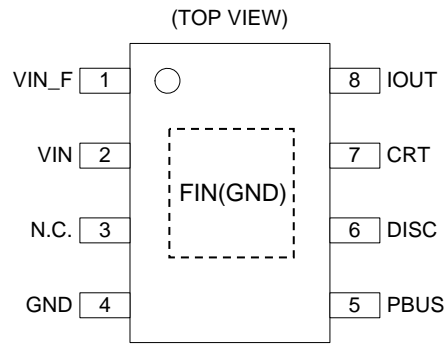


Figure 3. HTSOP-J8 Package Pin Configuration

Pin Descriptions

HRP7 Package

Pin No.	Pin Name	Function
1	PBUS	Error detection I/O
2	DISC	Discharge setting
3	CRT	PWM dimming timer setting
4	GND	GND
5	IOUT	Current output
6	VIN_F	Output current detection
7	VIN	Power supply input

HTSOP-J8 Package

Pin No.	Pin Name	Function
1	VIN_F	Output current detection
2	VIN	Power supply input
3	N.C.	N.C.
4	GND	GND
5	PBUS	Error detection I/O
6	DISC	Discharge setting
7	CRT	PWM dimming timer setting
8	IOUT	Current output

Block Diagram

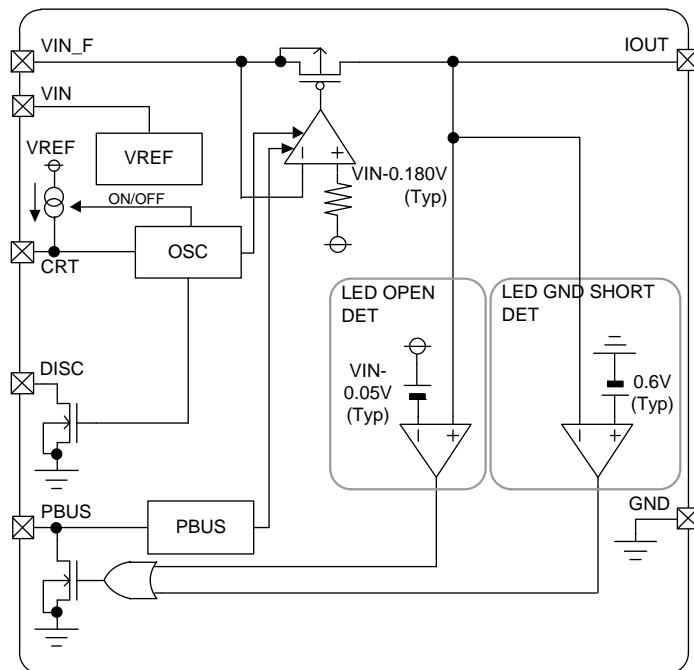


Figure 4. Block Diagram

## Absolute Maximum Ratings (Ta=25°C)

Parameter	Symbol	Rating	Unit
Supply Voltage	V <sub>IN</sub>	-0.3 ~ +50	V
V <sub>IN</sub> , F, CRT, DISC, IOUT, PBUS Terminal Voltage	V <sub>VIN_F</sub> , V <sub>CRT</sub> , V <sub>DISC</sub> , V <sub>IOUT</sub> , V <sub>PBUS</sub>	-0.3 ~ V <sub>IN</sub> +0.3	V
Power Dissipation	P <sub>d</sub>	HRP7	2.3 <sup>(Note1)</sup>
		HTSOP-J8	1.1 <sup>(Note2)</sup>
Operating Temperature Range	T <sub>opr</sub>	-40~125	°C
Storage Temperature Range	T <sub>stg</sub>	-55~150	°C
Junction Temperature	T <sub>jmax</sub>	150	°C
IOUT Output Maximum Current	I <sub>OUT</sub>	500	mA

(Note1) HRP7  
Derate by 18.4mW/°C when operating above Ta=25°C  
(when mounted in ROHM's standard board(70mm × 70mm × 1.6mm) 2 layer copper foil(15mm × 15mm)).

(Note2) HTSOP-J8  
Derate by 8.8mW/°C when operating above Ta=25°C  
(when mounted in ROHM's standard board(70mm × 70mm × 1.6mm) 2 layer copper foil(15mm × 15mm)).

**Caution:** Operating the IC over the absolute maximum ratings may damage the IC. The damage can either be a short circuit between pins or an open circuit between pins and the internal circuitry. Therefore, it is important to consider circuit protection measures, such as adding a fuse, in case the IC is operated over the absolute maximum ratings.

## Recommended Operating Conditions

Parameter	Symbol	Rating	Unit
Supply Voltage <sup>(Note1)</sup>	V <sub>IN</sub>	4.5~42.0	V
Operating Temperature Range	T <sub>opr</sub>	-40~125	°C
Current Setting Resistor	R <sub>VIN_F</sub>	0.36~3.6	Ω
Minimum capacitor connecting IOUT terminal	C <sub>IOUT_MIN</sub>	0.1	μF
CRTIMER Frequency Range	F <sub>PWM</sub>	100~5000	Hz
PWM Minimum Pulse Width	T <sub>MIN</sub>	20	μs

(Note1) P<sub>d</sub>, A<sub>SO</sub> should not be exceeded

**Electrical Characteristics**(Unless otherwise specified Ta=-40~125°C, VIN= 13V, RVIN\_F=0.47Ω, RPBUS=10kΩ)

Parameter	Symbol	Min	Typ	Max	UNIT	Condition
Circuit Current	I <sub>VIN</sub>	-	2.1	6.0	mA	
IOUT Terminal Output Current Accuracy	I <sub>OUT</sub>	373	383	393	mA	Ta=25°C
		364	383	402	mA	Ta=-40°C~125°C
VIN – IOUT Drop Voltage	V <sub>DR_IOUT</sub>	-	0.45	1.0	V	I <sub>OUT</sub> =383mA
IOUT Terminal OFF Current	I <sub>IOUT_OFF</sub>	-	-	1	μA	V <sub>IOUT</sub> =2V, V <sub>CRT</sub> =0.7V Ta=25°C
IOUT Current at GND Short	I <sub>IOUT_SHORT</sub>	-	-	40	μA	V <sub>IOUT</sub> =0V
VIN_F Terminal Voltage	V <sub>VIN_F_REF</sub>	0.171	0.180	0.189	V	V <sub>VIN_F_REF</sub> =V <sub>VIN</sub> -V <sub>VIN_F</sub>
IOUT Voltage at LED Open Detection	V <sub>IOUT_OPEN</sub>	V <sub>VIN</sub> -0.15	V <sub>VIN</sub> -0.050	V <sub>VIN</sub> -0.020	V	
IOUT Voltage at LED Open Detection Release	V <sub>IOUT_OPEN_RELEASE</sub>	V <sub>VIN</sub> -0.300	V <sub>VIN</sub> -0.150	V <sub>VIN</sub> -0.060	V	
IOUT Voltage at LED Short Detection	V <sub>IOUT_SHORT</sub>	0.2	0.6	1.0	V	
CRT Terminal Charge Current	I <sub>CRT_SO</sub>	29.75	35.00	40.25	μA	V <sub>CRT</sub> =0.9V
CRT Terminal Charge Voltage	V <sub>CRT_CHA</sub>	0.990	1.10	1.21	V	
CRT Terminal Discharge Voltage 1	V <sub>CRT_DIS1</sub>	2.7	3.0	3.3	V	
CRT Terminal Discharge Voltage 2	V <sub>CRT_DIS2</sub>	3.6	4.0	4.4	V	RD1<->RD2 <sup>(Note1)</sup>
CRT Terminal Charge Resistance	R <sub>CHA</sub>	51.6	54.3	57.0	kΩ	R <sub>CHA</sub> =(V <sub>CRT_DIS1</sub> – V <sub>CRT_CHA</sub> ) / I <sub>CRT_SO</sub>
DISC Terminal Discharge Resistance 1	R <sub>D1</sub>	-	50.0	100	Ω	V <sub>CRT</sub> =3.4V
DISC Terminal Discharge Resistance 2	R <sub>D2</sub>	2.5	5.0	10	kΩ	V <sub>CRT</sub> =5V
PBUS Terminal Input Voltage High	V <sub>IH_PBUS</sub>	4.0	-	V <sub>VIN</sub> +0.20	V	
PBUS Terminal Input Voltage Low	V <sub>IL_PBUS</sub>	GND -0.20	-	2.0	V	
PBUS Terminal Low Voltage	V <sub>OL_PBUS</sub>	-	-	1.5	V	I <sub>PBUS</sub> =2mA
PBUS Terminal Input Current	I <sub>IN_PBUS</sub>	-	38.0	100	μA	V <sub>PBUS</sub> =13V
Overvoltage Mute	V <sub>VIN_OVPMUTE</sub>	27	29	33	V	V <sub>IOUT</sub> =6V

(Note) This product is not designed for use in radioactive environments.

(Note1) Refer to Functional Description

**Typical Performance Curves (Reference Data)**

(Unless otherwise specified Ta=25°C, VIN=VIN\_F=13V)

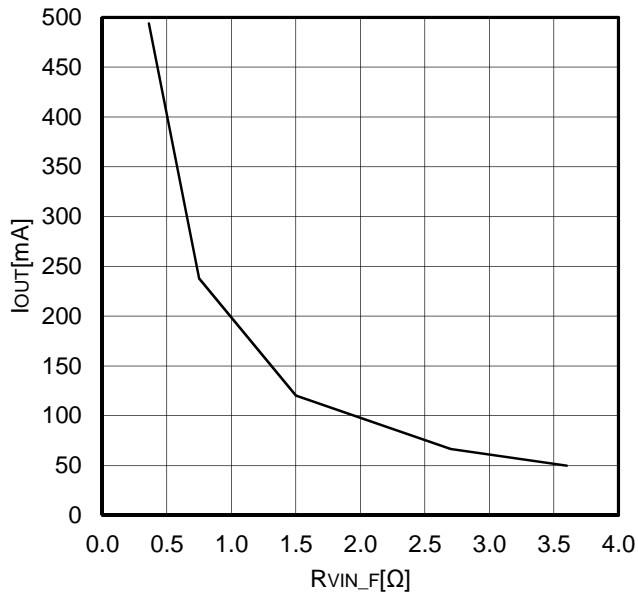


Figure 5. Rvin\_F vs Iout

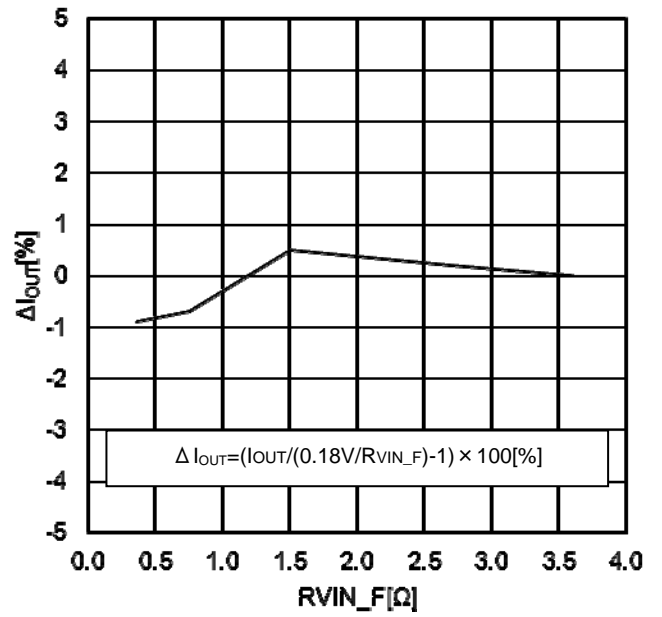


Figure 6. Rvin\_F vs ΔIout

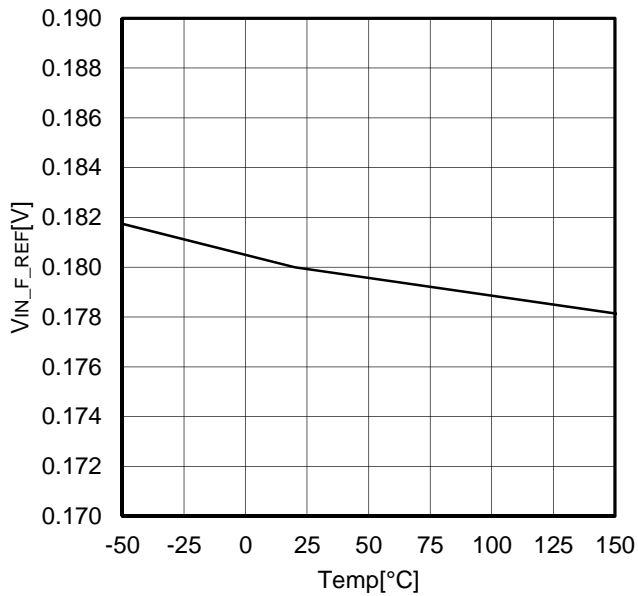


Figure 7. Temperature vs Vin\_F\_REF

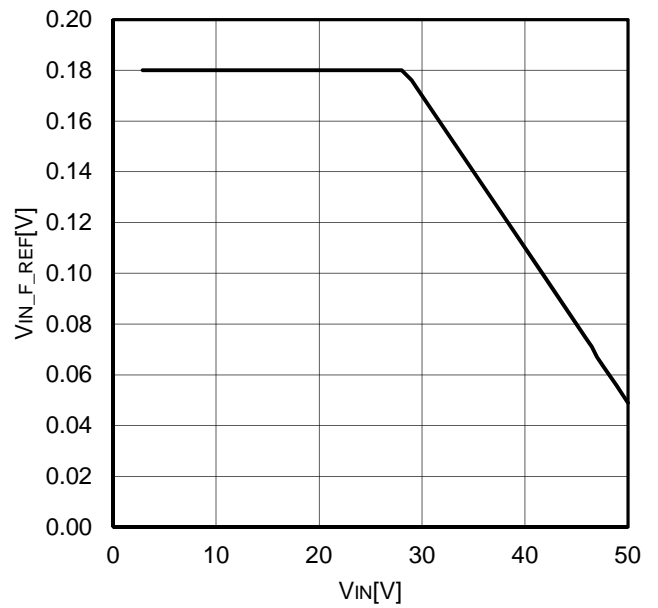


Figure 8. Vin vs Vin\_F\_REF

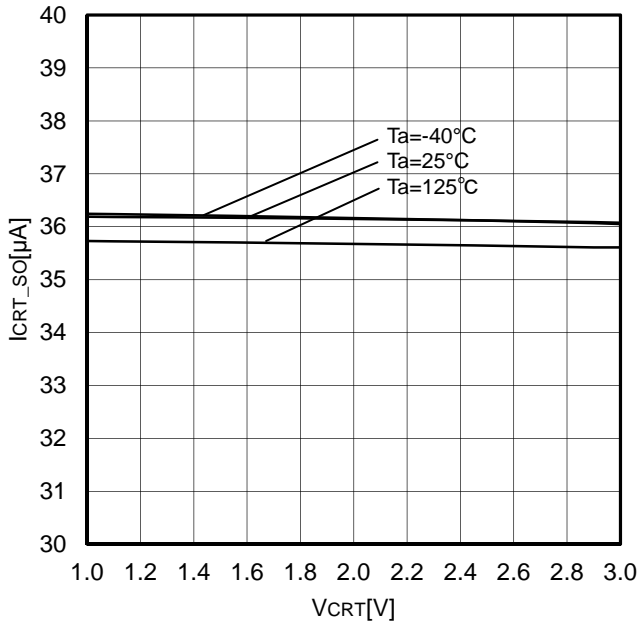


Figure 9. VCRT vs ICRT\_SO  
(VCRT: CRT Terminal Voltage)

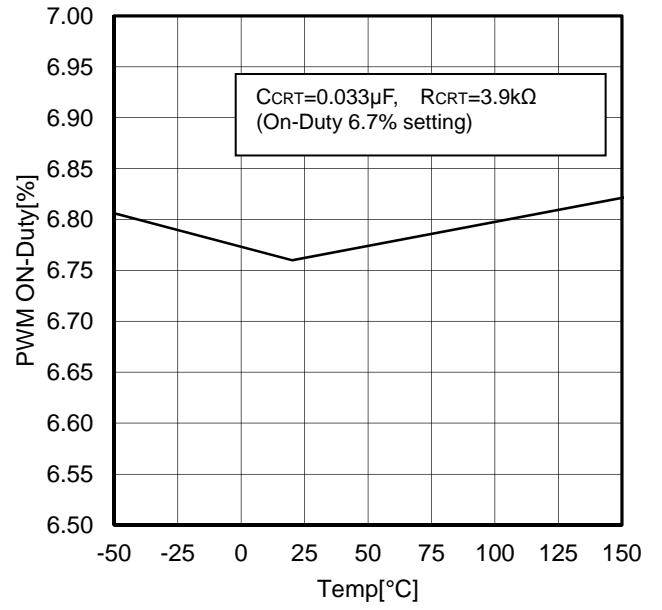


Figure 10. Temperature vs PWM ON Duty

**Functional Description**

(Unless otherwise specified, Ta=25°C, VIN=13V, IOU=6V and RVIN\_F=0.47Ω. Numbers are "Typical" values.)

1. Output Current Setting

LED Current IOU can be set as below depending on values of current setting resistance RVIN\_F.

$$I_{OUT} = \frac{(V_{IN} - V_{IN\_F})}{R_{VIN\_F}} = \frac{V_{IN\_F\_REF}}{R_{VIN\_F}} [A]$$

where:

VIN\_F\_REF is 0.18V (Typ)

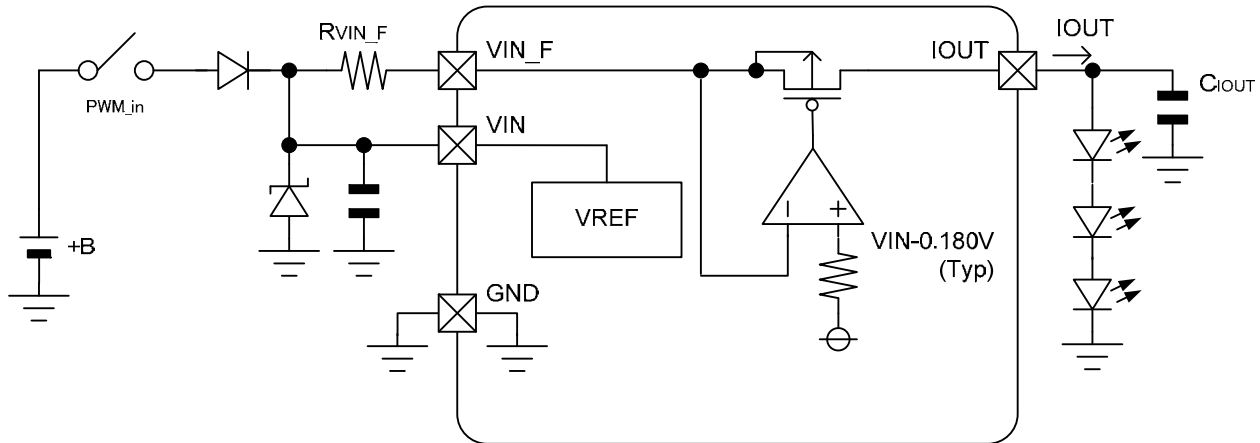


Figure 11. Output Current Setting

2. Table of Operations

PWM dimming mode switches to linear control depending on CRT terminal voltage.

When CRT terminal voltage surpasses VCRT\_DIS2(4.0V(Typ)), Dimming mode turns to Linear Control, and discharge resistance of DISC terminal changes from RD1(50Ω(Typ)) to RD2(5kΩ(Typ)).

LED open/short-circuit protection is activated depending on IOU terminal voltage status, and output current is turned OFF. Output current is also turned OFF when Low signal is input to PBUS terminal.

Operation Mode	CRT Terminal	IOU Terminal Voltage (VIOU)	Output Current (Iout)	PBUS Terminal
Linear Control	4.0V(Typ) ≤ VCRT	-	50mA ~ 500mA	Hi-Z
PWM dimming	OPEN	-	See Features Description, 3. PWM Light Control Operation	Hi-Z
LED Open	-	VIOU ≥ VIN - 0.050V(Typ)	1μA(Max)	Low Output
LED Short	-	VIOU ≤ 0.6V(Typ)	40μA(Max)	Low Output
PBUS Control OFF	-	-	1μA(Max)	Low Input

3. PWM Dimming Operation

PWM Dimming is performed if CRT terminal is the following circuit. Dimming cycle and Duty width can be set through external resistance value and capacity.

CR timer function in IC is activated if CRT terminal turned OPEN. In order to perform PWM light control of LED current, triangular waveform is generated at CRT terminal. Output is controlled so that **LED current is turned OFF** while CRT voltage is ramping up, and **LED current is turned ON** while CRT voltage is ramping down. Ramp up/down time of CRT voltage can be set by values of external components (**CCRT, RCRT**).

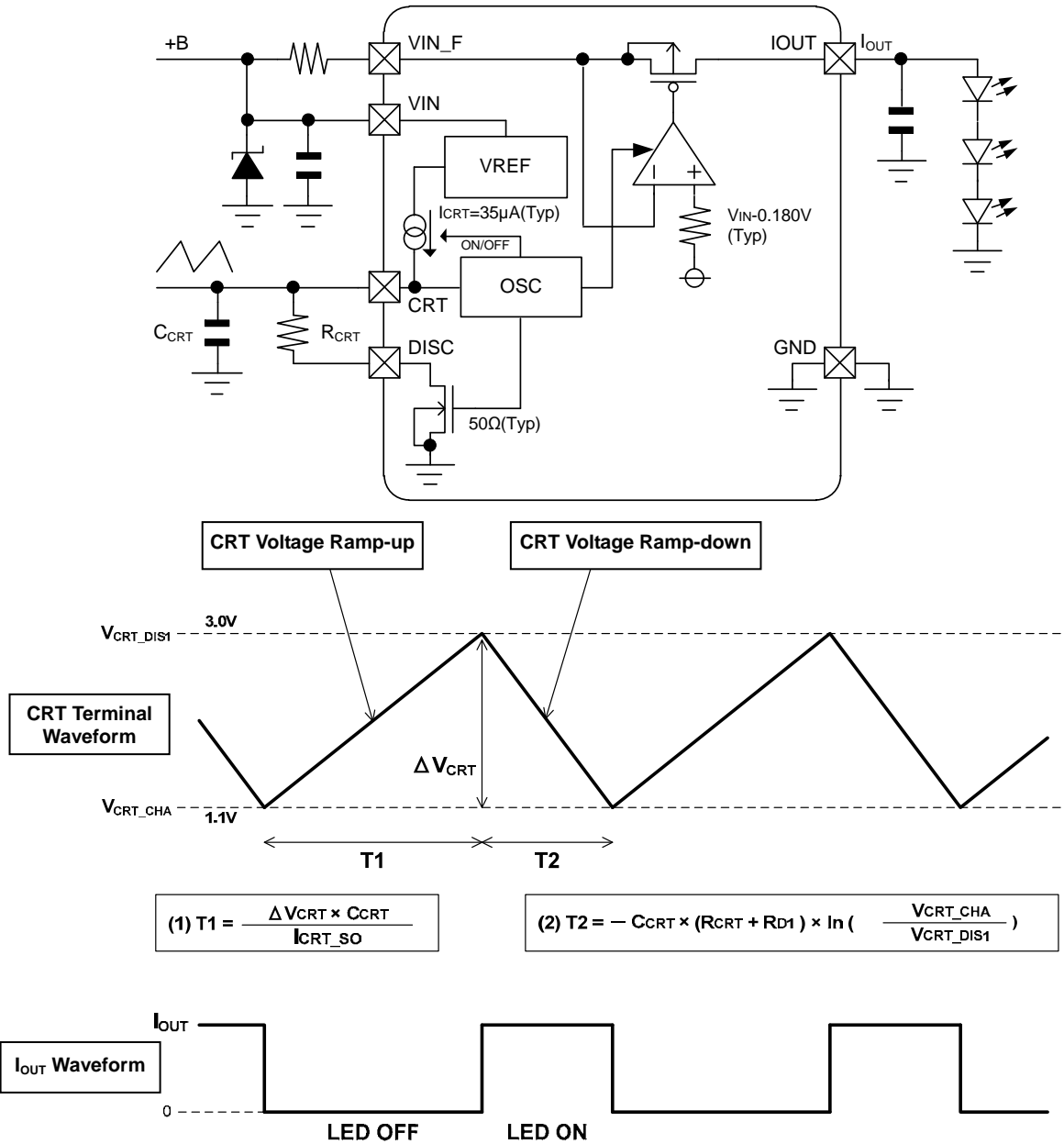


Figure 12. PWM Fimming Operation

- (1) CRT Ramp up Time T1  
CRT ramp up time can be obtained from the following equations:

$$T1 = \frac{\Delta V_{C\_RT} \times C_{C\_RT}}{I_{C\_RT\_SO}} = R_{CHA} \times C_{C\_RT} [s]$$

where:  
I<sub>CRT\_SO</sub> is the CRT Terminal Charge Current 35μA (Typ)  
R<sub>CHA</sub> is the CRT Terminal Charge Resistance 54.3kΩ(Typ)



- (2) CRT Ramp down Time T2  
 CRT ramp down time is defined by discharge period due to external capacity CCRT and resistance (RCRT + RD1).  
 (CRT Terminal Charge Current is OFF at CRT ramp down)  
 Make sure that T2 is set at not smaller than Min. pulse width 20µs(Min).

$$T2 = -CCRT \times (RCRT + RD1) \times \ln\left(\frac{VCRT\_CHA}{VCRT\_DIS1}\right) \text{ [s]}$$

where:

RD1 is the CRT Terminal Discharge Resistance 1      50Ω (Typ)  
 VCRT\_CHA is the CRT Terminal Discharge ON Voltage 1.1V (Typ)  
 VCRT\_DIS1 is the CRT Terminal Discharge ON Voltage 3.0V (Typ)

- (3) Dimming Frequency fPWM  
 PWM frequency is defined by T1 and T2.

$$f_{PWM} = \frac{1}{T1 + T2} \text{ [Hz]}$$

- (4) ON Duty (DON)  
 Like the above, PWM ON duty is defined by T1 and T2.

$$DON = \frac{T2}{T1 + T2}$$

(Ex) In case of fPWM = 518Hz and 6.7% Duty (Typ),

From fPWM=518Hz; T1 + T2 = 1 / fPWM = 1 / 518Hz = 1931µs  
 From ON Duty = 6.7%; CRT ramp up time T1 is T1 = (T1 + T2) × 0.933 = 1801.6µs  
 External capacity CCRT is;  
 CCRT = T1 × (ICRT / ΔVCRT) = 1800.7µs × 35µA / 1.9V ≐ **0.033µF**

CRT ramp down time T2 is; T2 = (T1 + T2) × 0.067 = 129µs  
 External resistance RCRT is;  
 RCRT = -T2 / (CCRT × ln(VCRT\_CHA / VCRT\_DIS)) - RD1 = -129µsec / (0.033µF × ln(1.1 / 3.0) - 50Ω) ≐ **3.9kΩ**

In case where PWM signal is applied from external;

It is possible to directly input PWM signal from external microcomputer for Dimming.  
 Input PWM signal to CRT terminal. In that case, 'High' level voltage of PWM signal should be equal to or higher than VCRT\_DIS2(4.4V(Max)) and 'Low' level voltage of PWM signal should be equal to or less than VCRT\_CHA(0.99V(Min)).

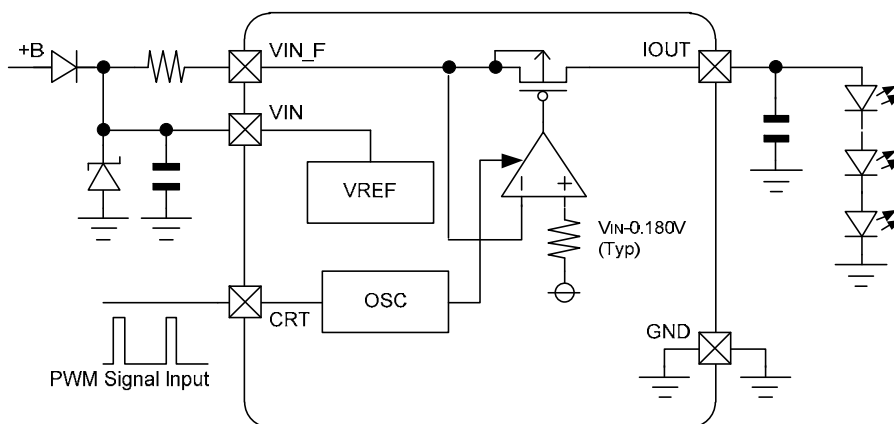


Figure 13. External Input of PWM Signal

4. LED Setting Range

Number of LED connections N should meet the following conditions:

$$V_{f\_led} \times N \leq +B - V_{f\_diode} - V_{IN\_F\_REF} - V_{DR\_IOUT}$$

where:

- +B is the Battery Voltage
- $V_{f\_diode}$  is the Reverse Connection Preventing Diode  $V_f$
- $V_{IN\_F\_REF}$  is the  $V_{IN\_F}$  Terminal Voltage ( $V_{IN} - V_{IN\_F}$ )
- $V_{DR\_IOUT}$  is the IOUT Terminal Drop Voltage
- $V_{f\_led}$  is the LED  $V_f$
- N is the Number of LED Levels

Ex) If you want to supply constant current to LED at 9V or higher Battery Voltage (+B) (Supposing that  $V_{f\_diode}$  is 0.5V),

$$V_{f\_led} \times N \leq +B - V_{f\_diode} - V_{IN\_F\_REF} - V_{DR\_IOUT} = 9V - 0.5V - 0.189V(\text{Max}) - 1.0V(\text{Max}) = 7.311V$$

(Sum of  $V_f$  of LED connected to IOUT terminal is set to be 7.311V Max.)

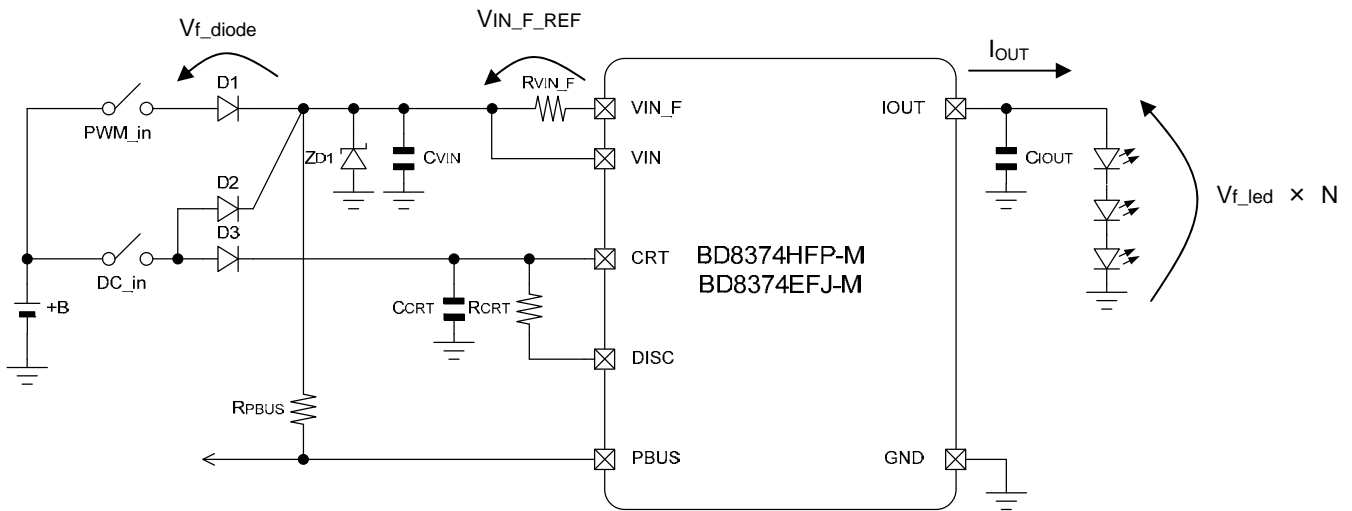


Figure 14. LED Setting Range Schematic

5. Overvoltage Mute

If  $29V (Typ) \leq V_{IN}$ , Overvoltage Mute is activated to restrict output current in order to suppress heat generated from IC.  $I_{OUT}$  attenuates by  $3.2\%/V(Typ)$ .

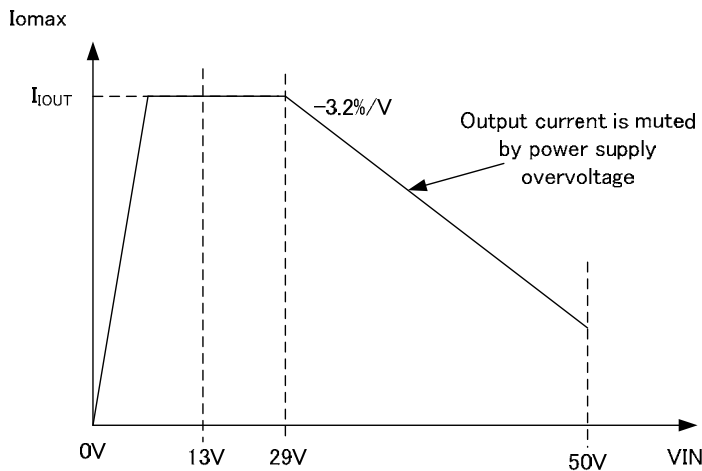


Figure 15. Overvoltage Mute Performance

6. Protective Function

In this IC integrated is a function for protection from short/open-circuit of external component, and it is possible to detect abnormal condition at PBUS terminal.

(1) LED Open Detective Function

In case where LED connected to IOOUT terminal is open-circuited, it is detected due to overvoltage of IOOUT terminal. During the detection, PBUS terminal is switched to Low to notify the trouble.

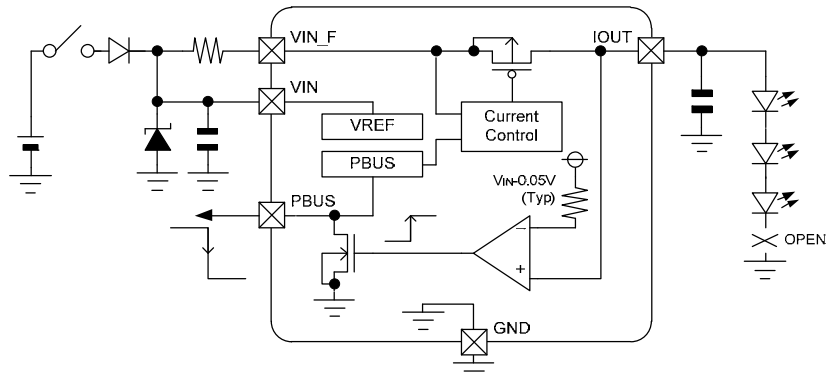


Figure 16. LED Open Detection

(2) LED Short-circuit Detective Function

In case where LED connected to IOOUT terminal is short-circuited, it is detected due to low voltage of IOOUT terminal. During the detection, output current is turned OFF to prevent thermal destruction of IC, and PBUS terminal is switched to Low to notify the trouble.

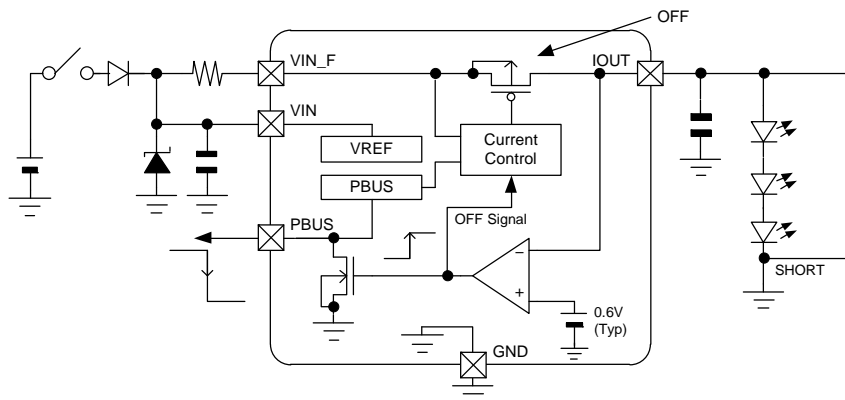


Figure 17. LED Short-circuit Detection

(3) IOOUT Current at GND Short (I<sub>IOOUT\_SHORT</sub>)

When V<sub>IOOUT</sub> is less than 1.4V(Typ), IOOUT Current at GND Short(I<sub>IOOUT\_SHORT</sub>) flows from IOOUT terminal. It is varied due to IOOUT terminal Voltage.

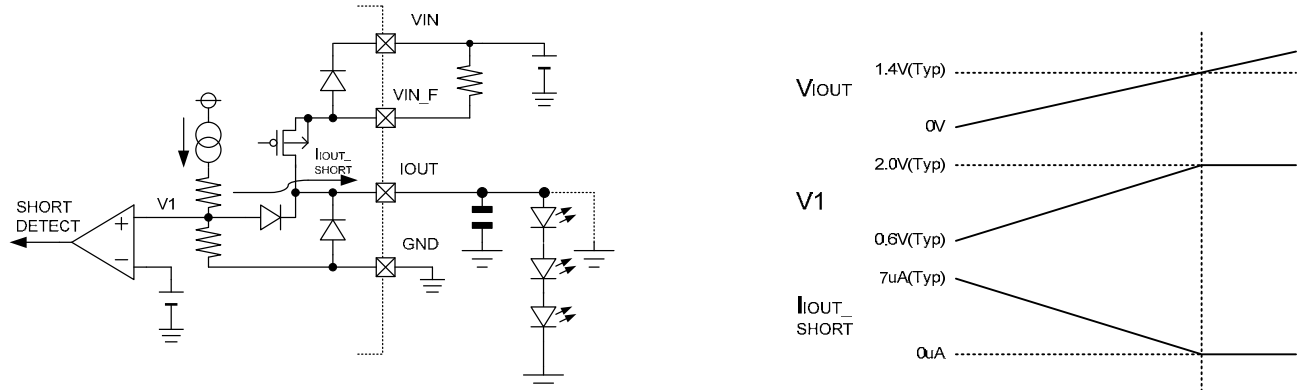


Figure 18. About IOOUT Current at GND Short

(4) About Active zone of LED Open Detective & LED Short Detective Function and IOU Terminal Hi-Z zone

Active zone of LED Open Detective & LED Short Circuit Detective Function is different from Linear Control Mode and PWM dimming Mode.(Refer to Figure19.)

- Linear Control Mode : Each function is active at All zone.
- PWM dimming Mode : LED Open Detective Function is active only Fall time of VCRT.  
LED Short Circuit Detective Function is active at All zone.

There is **IOU Terminal Hi-Z zone at PWM dimming Mode.**  
To prevent Malfunction of LED Short Detective Function by noise<sup>(Note1)</sup>,  
**It is necessary to connect Capacitor(more than 0.1μF<sup>(Note2)</sup>)**  
**between IOU terminal and GND terminal nearby terminal**  
**(ROHM Recommended Value : C<sub>IOU</sub>=0.1μF GCM188R11H104KA42 murata)**

(Note1) Conducted noise, Radiated noise, Interference of connector and PCB pattern etc...  
(Note2) If connect more than 0.1μF, please evaluate the time of V<sub>IN</sub> on to I<sub>IOU</sub> on.

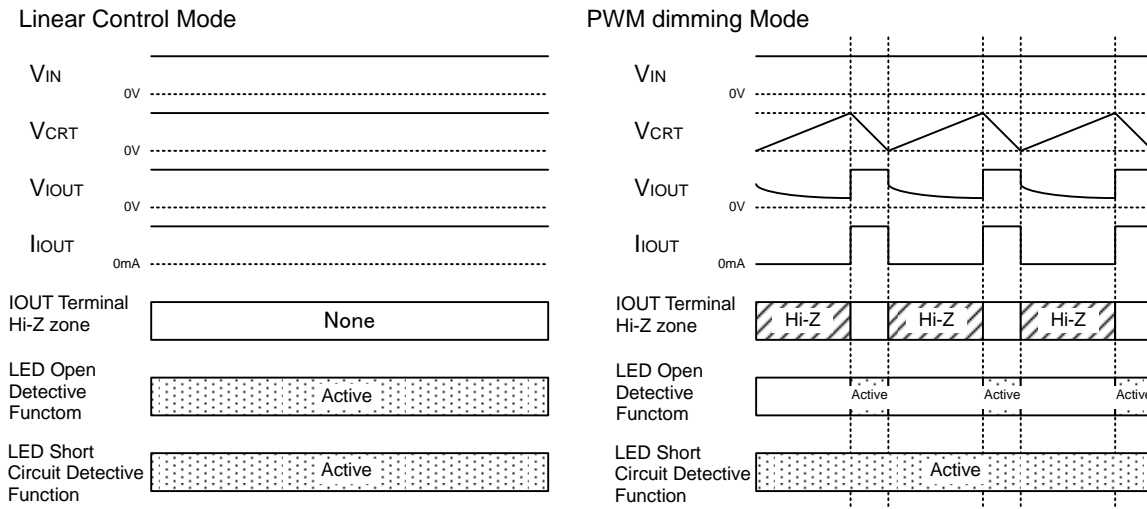


Figure 19. About Active zone of LED Open Detective & LED Short Detective Function and IOU Terminal Hi-Z zone

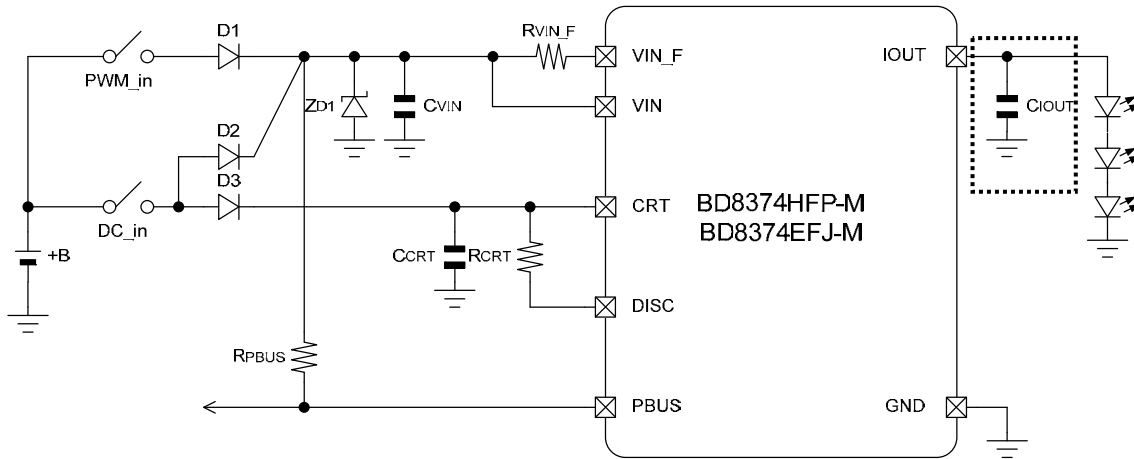
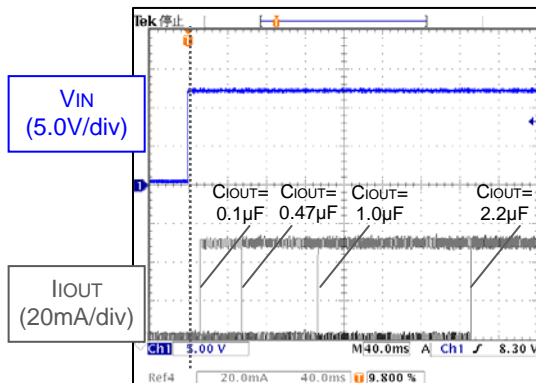


Figure 20. About the capacitor of connecting IOU terminal

Evaluation example(The time of VIN on to IiOUT on)

Condition : +B=13V  
 Ta=25°C  
 LED 3Strings  
 VCRT=VIN  
 DC Mode

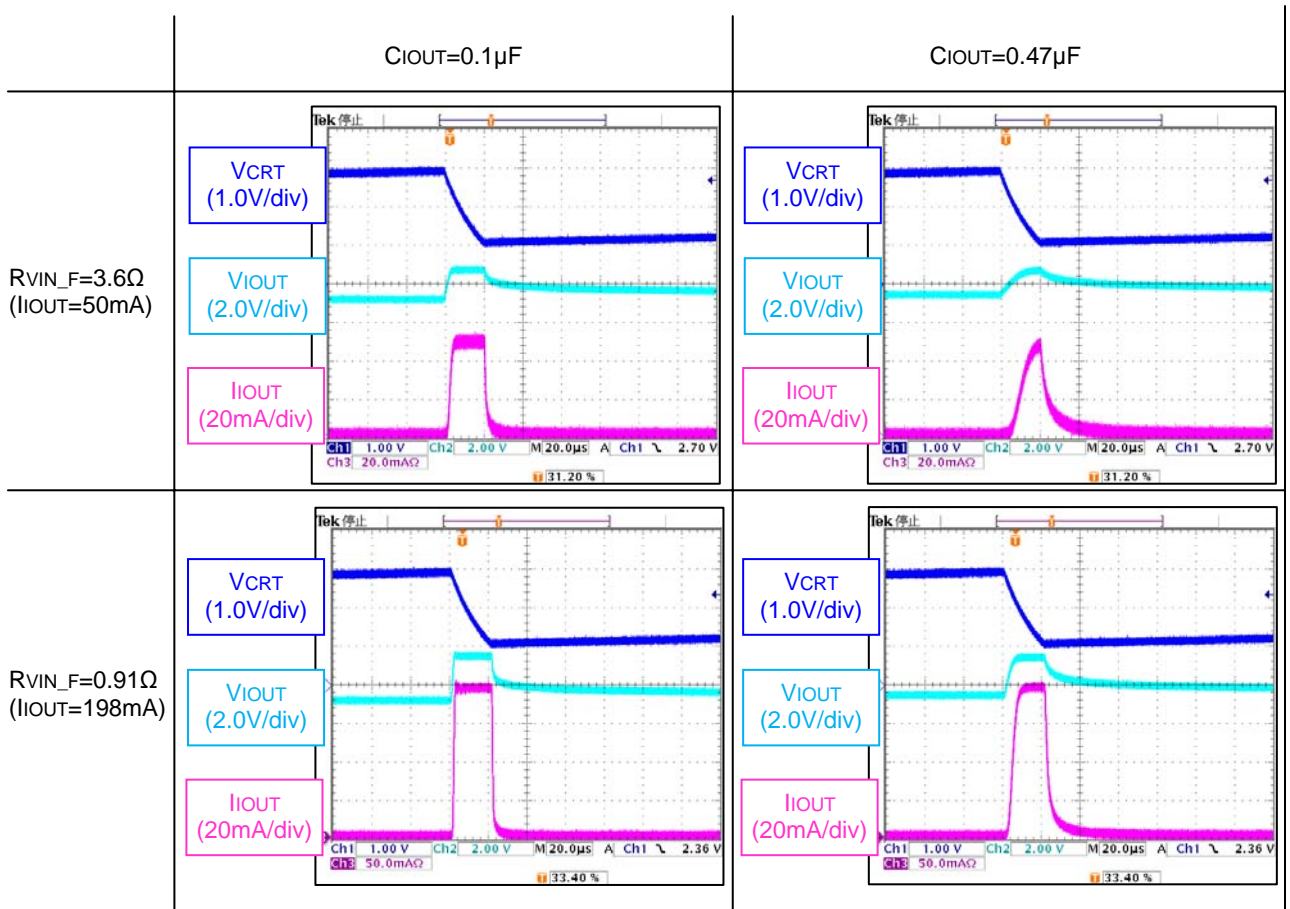


The time of VIN on to IiOUT on

- CIOUT=0.1µF : 11ms
- CIOUT=0.47µF : 51ms
- CIOUT=1.0µF : 130ms
- CIOUT=2.2µF : 290ms

Evaluation example(IiOUT pulse width at PWM Dimming operation)

Condition : +B=13V  
 Ta=25°C  
 LED 3Strings  
 RCRT=560Ω  
 CCRT=0.033µF  
 PWM Dimming Mode



7. PBUS Function

PBUS terminal is an input/output terminal for outputting trouble and inputting trouble detection.

In case where a trouble occurred due to open/short-circuit of external component, it is possible to notify the trouble outside by switching PBUS terminal output from High (Note1) to Low.

It is possible to turn OFF output current by externally controlling PBUS from High→Low.

(Note1) PBUS terminal is an open drain terminal. Even when used separately, please be pulled up(10kΩ) to power supply voltage.

In case where you use multiple number of this LSI to drive multiple LEDs, as shown in the drawing below, it is possible to turn off all rows of LEDs even if some LEDs are short/open-circuited by connecting PBUS terminal of each CH.

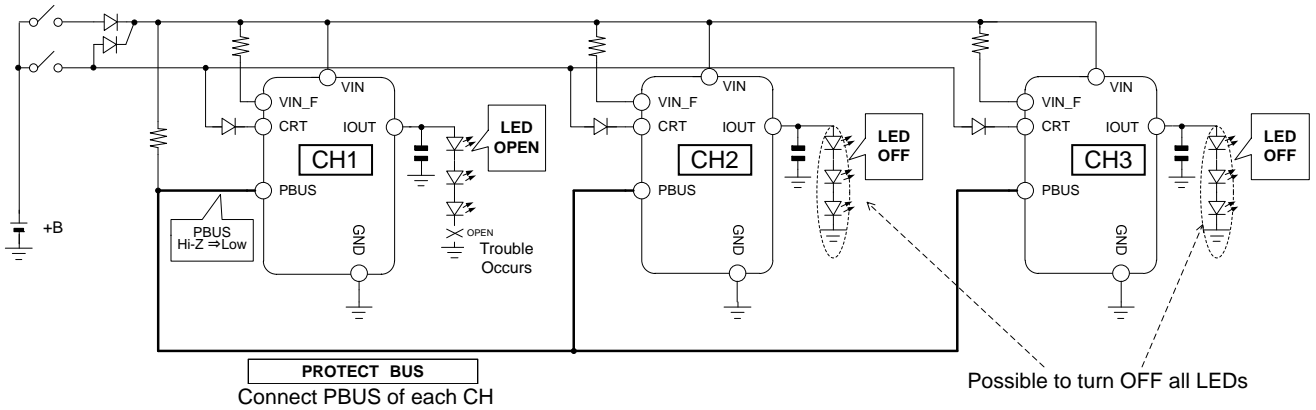


Figure 21. PBUS Function

▼Example of Protective Operation by LED Open

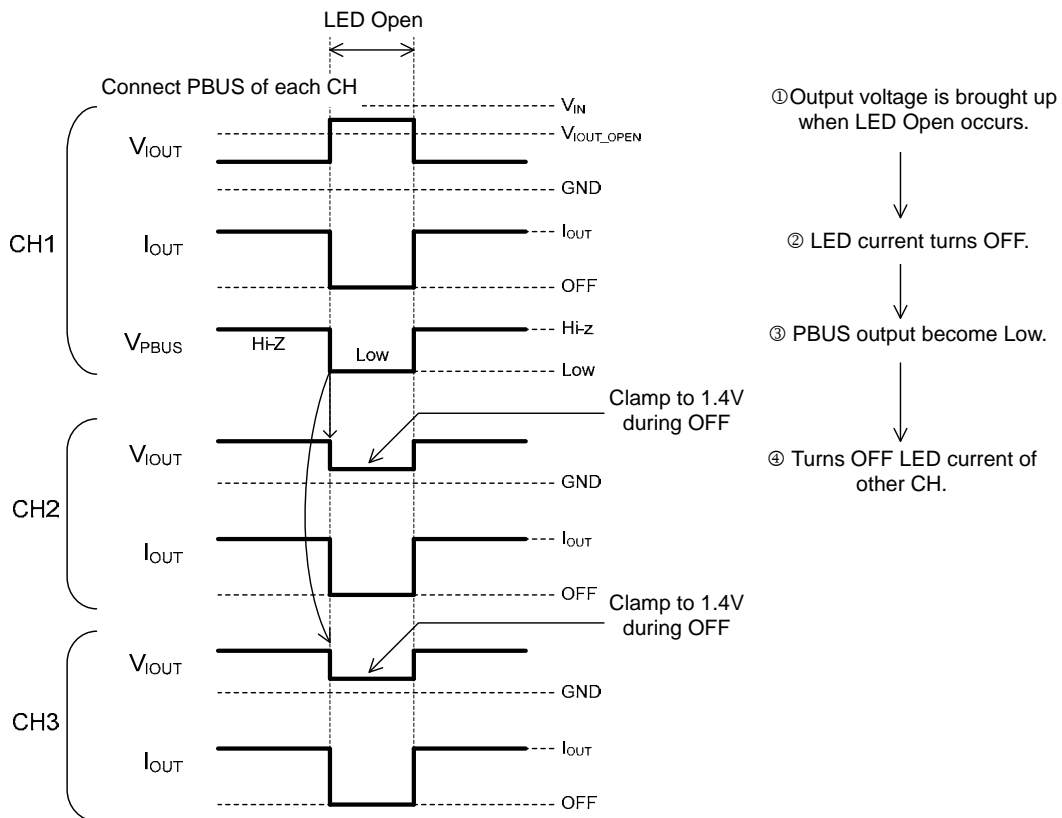


Figure 22. Example of Protective Operation

If LED OPEN occurs, PBUS of CH1 is switched from Hi-z to Low output. As PBUS becomes Low, LED drivers of other CH detect the trouble and turns OFF their own LEDs. VIOUT clamps to 1.4V (Typ) during the OFF period, in order to prohibit ground fault detection.

8. Caution of driving IC used multi-power supply

Each Input terminal is built- in ESD protection diodes. (Refer to I/O equivalence circuits)  
**If VIN terminal is not supplied voltage and Input terminal (without VIN) is supplied voltage, IC may occur malfunction(abnormal operation mode, abnormal LED lighting ) due to arise VIN terminal voltage .**

The Application Example of accidental operation is below.

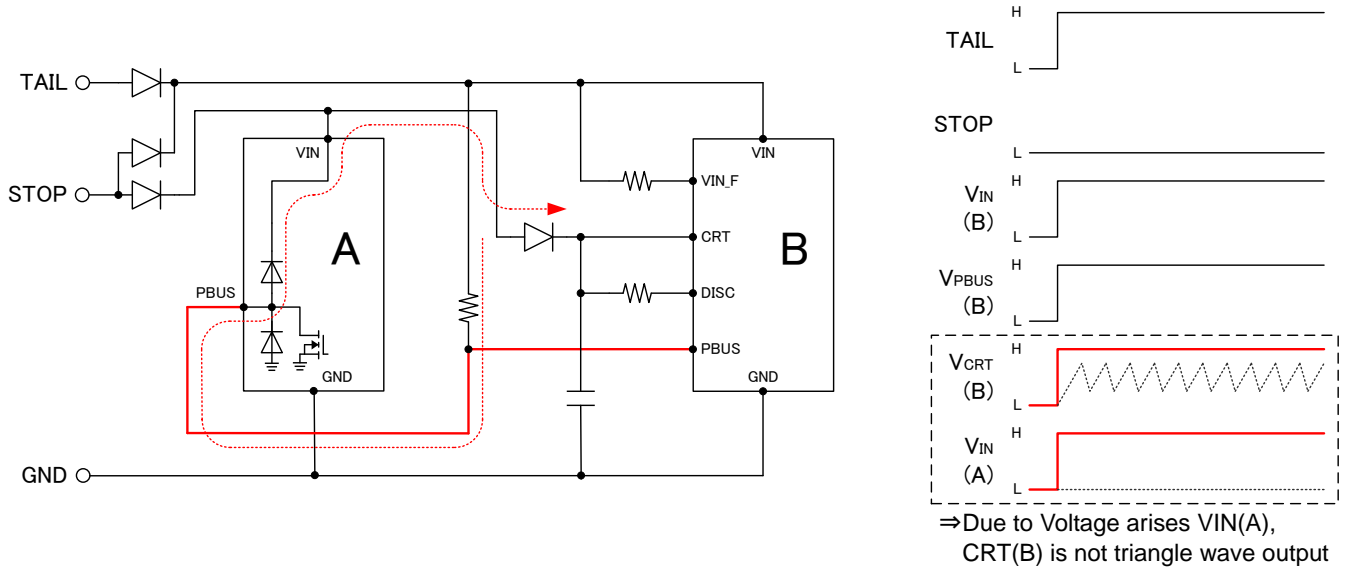


Figure 23. Application Example

(Operational Explanation)

Only input Tail : Arise VIN terminal voltage of IC A from ESD protection Diode between VIN terminal and PBUS terminal of IC A.  
 Due to connect VIN terminal of IC A and CRT terminal of IC B across Diode, DC voltage inputs CRT terminal of IC B, so it is possible to operate ICB DC mode.

Timing Chart

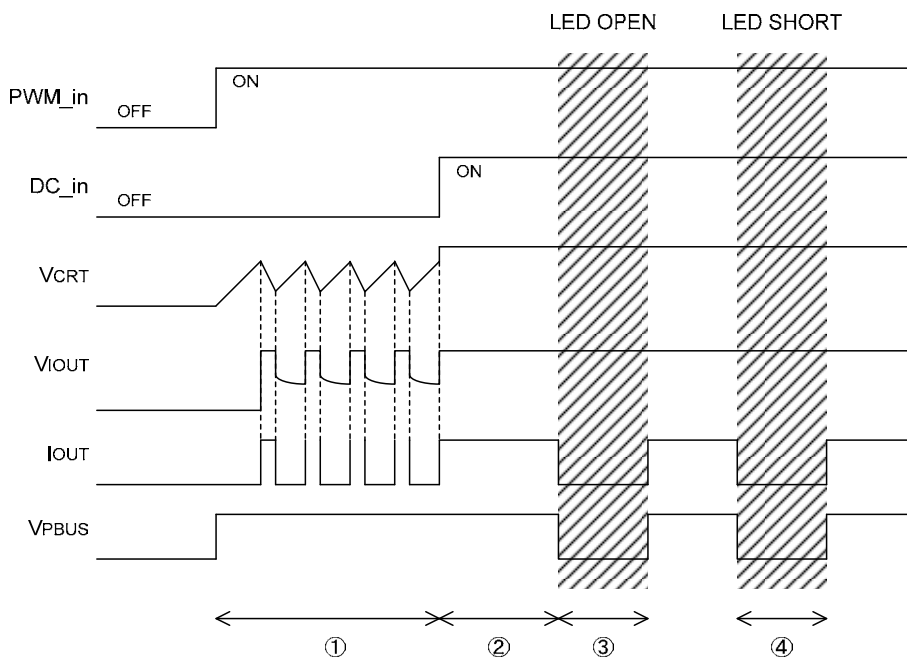
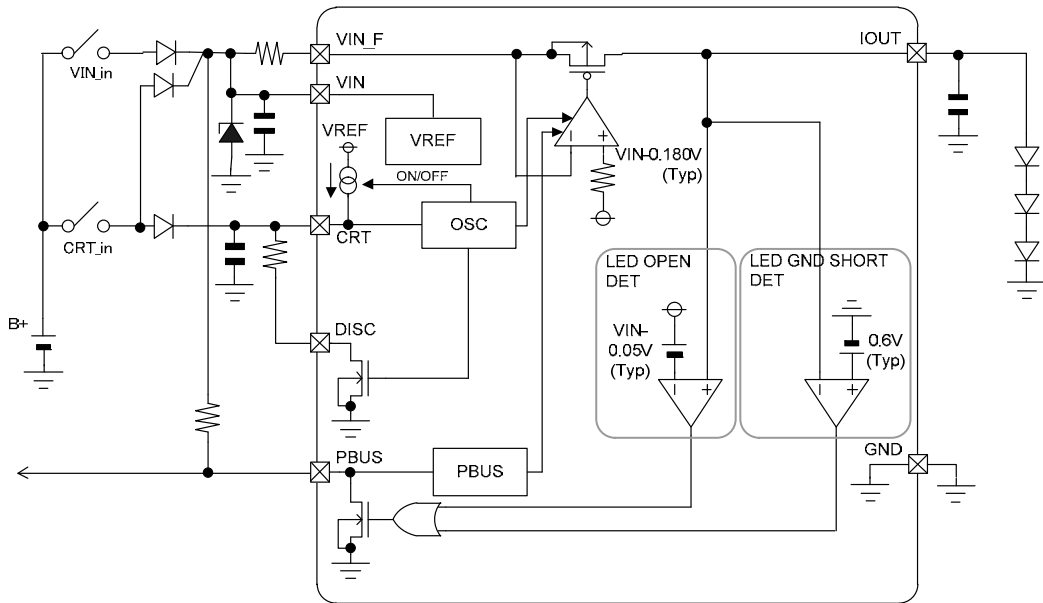


Figure 24. Timing Chart

- ① If PWM\_in is switched ON, VCRT will start oscillation, and according to its waveform LED current IOUT is output. (PWM light control mode)
- ② If DC\_in is switched ON, VCRT will be fixed at High (VIN-Vf). LED current IOUT will be continuously output. (Linear control mode)
- ③ If LED becomes OPEN, LED current IOUT will stop. At the same time, VPBUS falls to Low.
- ④ If LED is short-circuited to GND, LED current IOUT will stop. At the same time, VPBUS falls to Low.



**Guaranteed Range of Current Accuracy and LED Open Detection Range**

Guaranteed range of current accuracy and LED open detection range can be obtained from the following equation:

PBUS output becomes Low if IOOUT terminal output ( $V_{IOOUT}$ ) is higher than the LED open detection range at the time of reduced  $V_{IN}$  terminal voltage.

Therefore, pay attention to respective setting range during power ON/OFF, and consider operating voltage range of the set.

Guaranteed Range of Current Accuracy  
 $V_{IN} \geq V_{f\_led} \times N + V_{IN\_F\_REF} + V_{DR\_IOOUT}$  [V]

Where:  
 $V_{IN}$  is the  $V_{IN}$  Terminal Voltage  
 $V_{f\_diode}$  is the Reverse Connection Preventing Diode Vf  
 $V_{f\_led}$  is the LED Vf  
 N is the: Number of LED Levels  
 $V_{IN\_F\_REF}$  is the  $V_{IN\_F}$  Terminal Voltage ( $V_{IN} - V_{IN\_F}$ )  
 $V_{DR\_IOOUT}$  is the IOOUT Terminal Drop Voltage

LED Open Detection Voltage  
 $V_{IOOUT} = V_{IN} - 50mV(Typ)$

LED Open Detection Release Voltage  
 $V_{IOOUT} = V_{IN} - 150mV(Typ)$

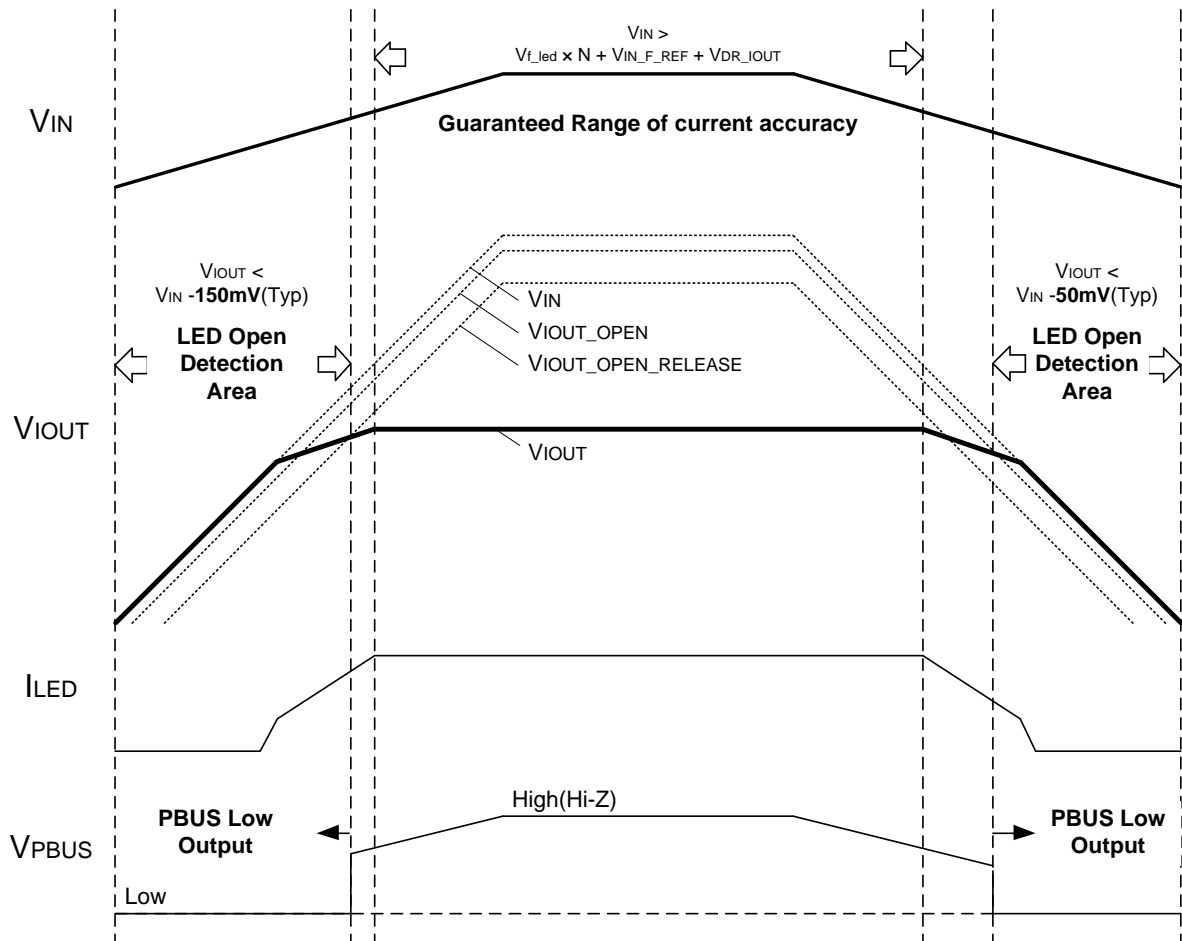


Figure 25. Guaranteed Range of Current Accuracy and LED Open Detection Range

How to Connect LED

In case of connected LED to IOOUT terminal as shown in the following, note that protective detection becomes possible/impossible depending on connection patterns.

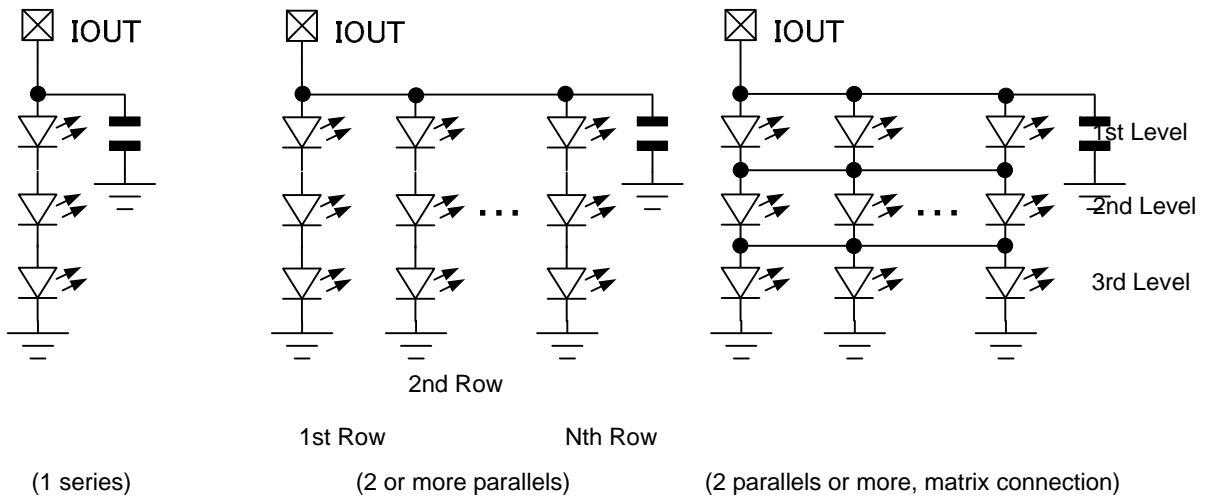


Figure 26. LED Connection Patterns

Connection Pattern	LED Short-circuit Detection (GND short of IOOUT terminal)	LED OPEN detection
1 Series	Detectable	Detectable-
2 parallels or more	Detectable	Non-detectable <sup>(Note 1)</sup>
2 parallels or more (Matrix Connection)	Detectable	Non-detectable <sup>(Note 2)</sup>

(Note1) : Detectable only when one or more LEDs become open in all rows.

(Note2) : Detectable only when all LEDs on the same level become open.

Recommended Application Circuit

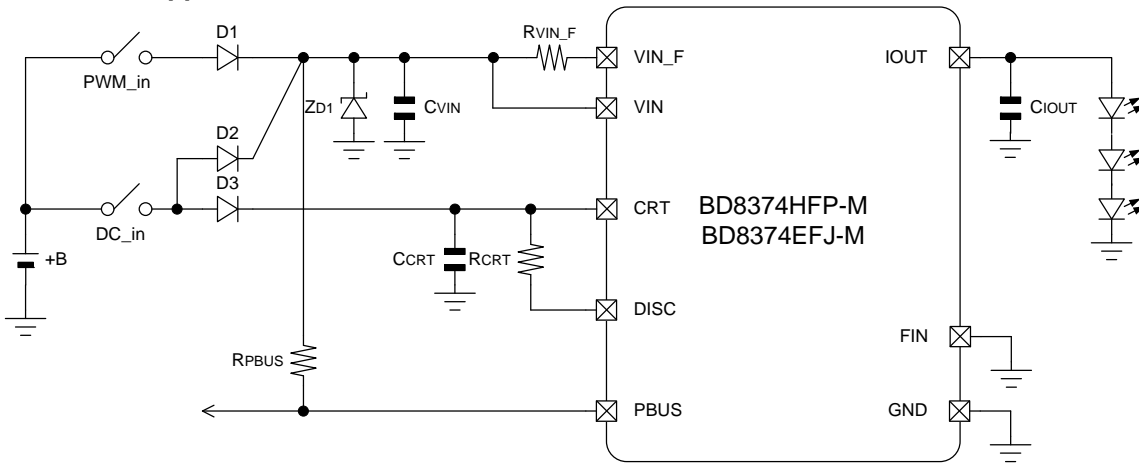


Figure 27. Recommended Application Circuit

▼ Corresponding EMC Test Items

- ISO11425-2
  - ISO11452-4
  - ISO7637-2
- (pulse1, pulse 2a,2b, pulse 3a,3b)

No.	Component Name	Component Value	Product Name	Company
1	D1	-	RF201L2S	ROHM
2	D2	-	RF201L2S	ROHM
3	D3	-	RF201L2S	ROHM
4	Z <sub>D1</sub>	-	TNR12H-220K	NIPPON CHEMICON
5	C <sub>VIN</sub>	4.7μF	GCM32ER71H475KA40	murata
6	R <sub>VIN_F</sub>	0.91Ω	MCR10 Series	ROHM
7	R <sub>PBUS</sub>	10kΩ	MCR03 Series	ROHM
8	C <sub>CRT</sub>	0.033μF	GCM188R11H333KA40	murata
9	R <sub>CRT</sub>	3.9kΩ	MCR03 Series	ROHM
10	C <sub>IOUT</sub>	0.1μF	GCM188R11H104KA42	murata

Table 1. BOM List

PWM_in	DC_in	Mode
Low	Low	OFF
High	Low	PWM Dimming Mode <sup>(Note1,Note2)</sup> (14mA 6.7% ON duty@518Hz)
Low	High	Linear Control Mode <sup>(Note2)</sup> (200mA 100% ON duty)
High	High	Linear Control Mode <sup>(Note2)</sup> (200mA 100% ON duty)

(Note1) See Functional Description "3. PWM Dimming Operation."

(Note2) See Functional Description "2. Table of Operations."

Table 2. Table of Operations

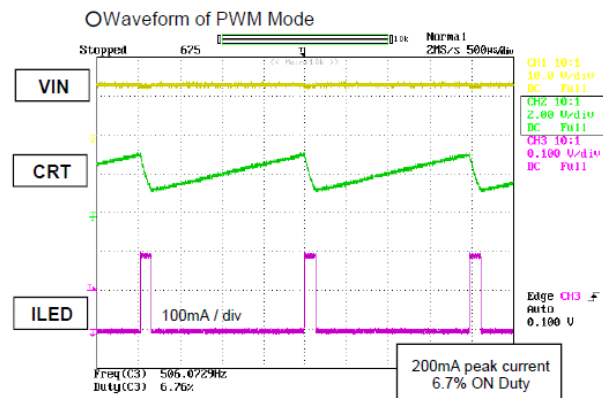


Figure 28. Example of Waveform Measurement

Thermal Loss

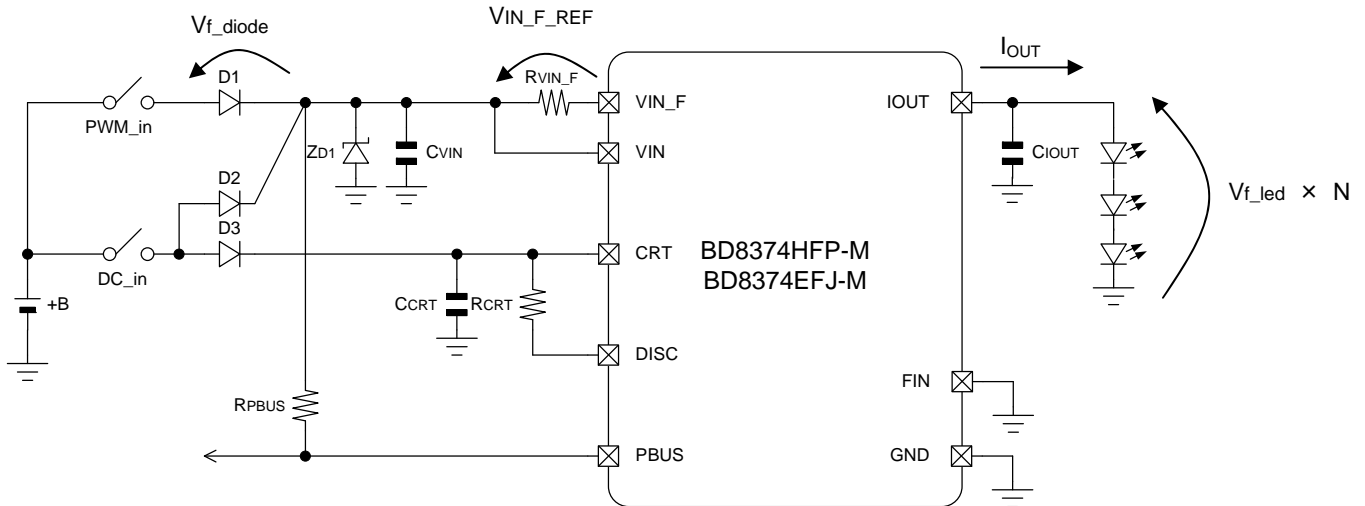


Figure 29. Application Circuit Diagram for Thermal Description

Thermal design should meet the following equation:

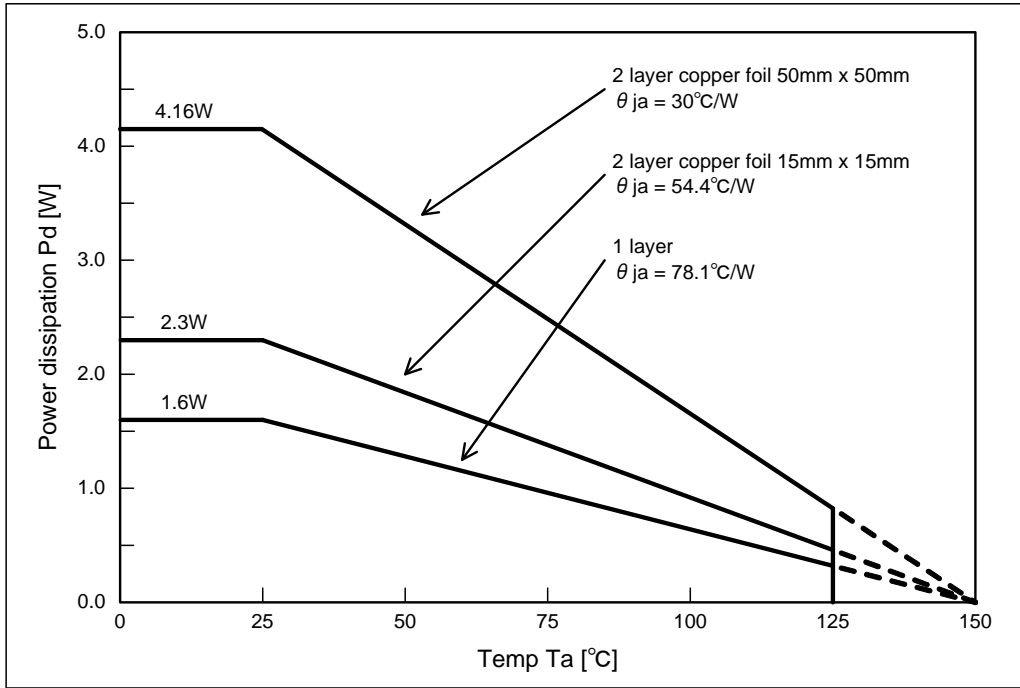
$$P_d > P_c = (+B - V_{f\_diode} - V_{IN\_F\_REF} - V_{f\_led} \times N) \times I_{OUT} + I_{VIN} \times V_{IN}$$

$$P_d = (1/\theta_{ja}) \times (T_{jmax} - T_a) \text{ or } (1/\theta_{jc}) \times (T_{jmax} - T_c)$$

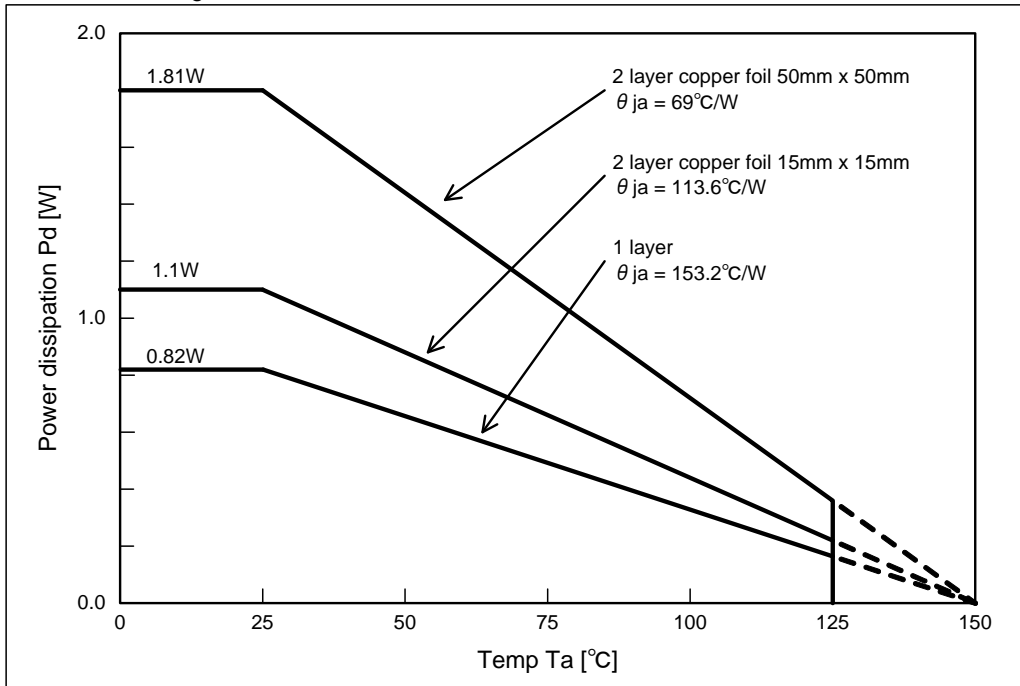
where:

- Pd is the Power Dissipation
- Pc is the Power Consumption
- +B is the Battery Voltage
- Vf\_diode is the Reverse Connection Preventing Diode Vf
- VIN\_F\_REF is the VIN\_F Terminal Voltage (VIN-VIN\_F)
- Vf\_led is the LED Vf
- N is the Number of LED Levels
- IOUT is the Output Current
- IVIN is the Circuit Current
- VIN is the Power Supply Voltage
- θja is the Thermal Resistance between Tj and Ta
- θjc is the Thermal Resistance between Tj and Tc
- Tjmax is the Max Joint Temperature (150°C)
- Ta is the Ambient Temperature
- Tc is the Case Surface Temperature

HRP7 Package



HTSOP-J8 Package



- (Caution1) When mounted with 70.0mm X 70.0mm X 1.6mm glass epoxy substrate.
- (Caution2) Above copper foil area indicates backside copper foil area.
- (Caution3) Value changes according to number of substrate layers and copper foil area. Note that this value is a measured value, not a guaranteed value.

Figure 30. Thermal Dissipation Curve

**Thermal Design for Few Number of LED Lamps**

If there are few LED lamps, insert resistance between IOOUT terminal and LED to reduce heat generation from IC and dissipate heat.

(This does not apply where amperage is low.)

In that case, note that guaranteed range of current accuracy will be as shown in the following equation:

$$+B \geq V_{f\_diode} + V_{f\_led} \times N + V_{IN\_F\_REF} + V_{DR\_IOUT} + I_{OUT} \times R1$$

- V<sub>f<sub>diode</sub></sub> is the Reverse Connection Preventing Diode V<sub>f</sub>
- V<sub>f<sub>led</sub></sub> is the LED V<sub>f</sub>
- N is the Number of LED Levels
- V<sub>IN<sub>F</sub>\_REF</sub> is the VIN<sub>F</sub> Terminal Voltage (V<sub>IN</sub> - V<sub>IN<sub>F</sub></sub>)
- V<sub>DR<sub>IOUT</sub></sub> is the IOOUT Terminal Drop Voltage
- I<sub>OUT</sub> is the Output Current
- R1 is the Thermal Dissipation Resistance

Thermal design should meet the following equation when inserting thermal dissipation resistance:

$$P_d = (1/\theta_{ja}) \times (T_{jmax} - T_a) \text{ or } (1/\theta_{jc}) \times (T_{jmax} - T_c)$$

- P<sub>d</sub> is the Power Dissipation
- P<sub>c</sub> is the Power Consumption
- +B is the Battery Voltage
- V<sub>f<sub>diode</sub></sub> is the Reverse Connection Preventing Diode V<sub>f</sub>
- V<sub>IN<sub>F</sub>\_REF</sub> is the VIN<sub>F</sub> Terminal Voltage (V<sub>IN</sub> - V<sub>IN<sub>F</sub></sub>)
- V<sub>f<sub>led</sub></sub> is the LED V<sub>f</sub>
- N is the Number of LED Levels
- I<sub>OUT</sub> is the Output Current
- R1 is the Thermal Dissipation Resistance
- I<sub>VIN</sub> is the Circuit Current
- V<sub>IN</sub> is the Power Supply Voltage
- θ<sub>ja</sub> is the Thermal Resistance between T<sub>j</sub> and T<sub>a</sub>
- θ<sub>jc</sub> is the Thermal Resistance between T<sub>j</sub> and T<sub>c</sub>
- T<sub>jmax</sub> is the Max Joint Temperature (150°C)
- T<sub>a</sub> is the Ambient Temperature
- T<sub>c</sub> is the Case Surface Temperature

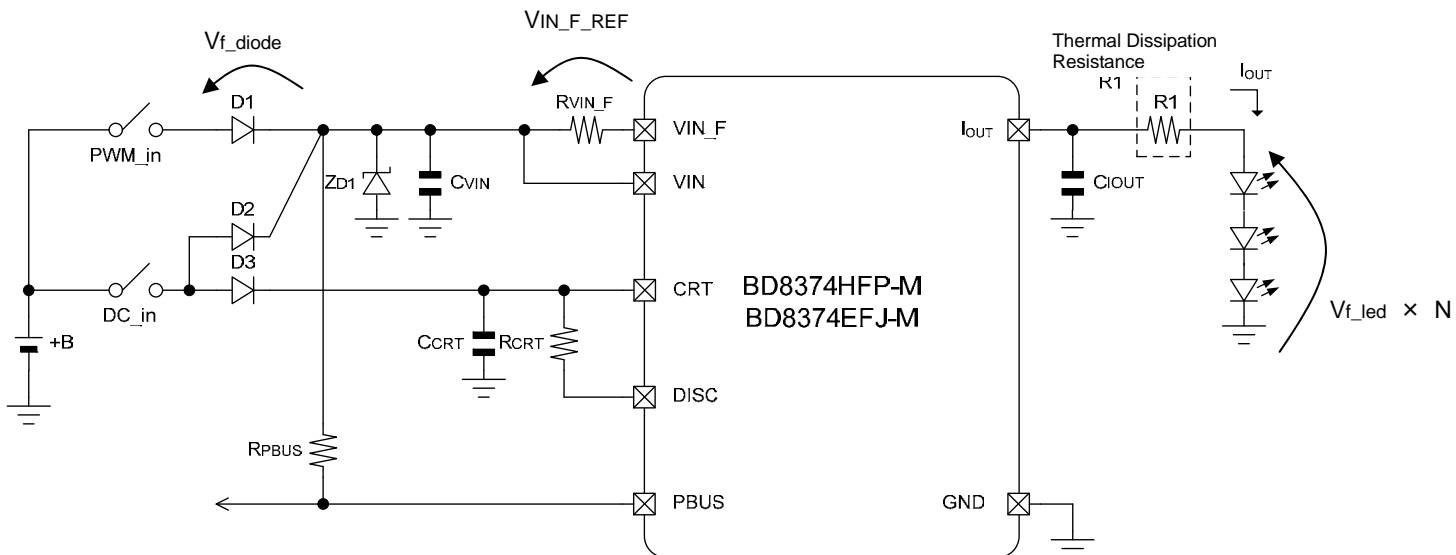


Figure 31. Example of How to Connect Thermal Dissipation Resistance

I/O equivalence circuits (HRP7 Package)

Number	Terminal Name	Equivalence Circuit
1	PBUS	
2	DISC	
3	CRT	
4	GND	-
5	IOUT	
6	VIN_F	
7	VIN	-

## Operational Notes

### 1. Reverse Connection of Power Supply

Connecting the power supply in reverse polarity can damage the IC. Take precautions against reverse polarity when connecting the power supply, such as mounting an external diode between the power supply and the IC's power supply terminals.

### 2. Power Supply Lines

Design the PCB layout pattern to provide low impedance supply lines. Separate the ground and supply lines of the digital and analog blocks to prevent noise in the ground and supply lines of the digital block from affecting the analog block. Furthermore, connect a capacitor to ground at all power supply pins. Consider the effect of temperature and aging on the capacitance value when using electrolytic capacitors.

### 3. Ground Voltage

Ensure that no pins are at a voltage below that of the ground pin at any time, even during transient condition.

### 4. Ground Wiring Pattern

When using both small-signal and large-current ground traces, the two ground traces should be routed separately but connected to a single ground at the reference point of the application board to avoid fluctuations in the small-signal ground caused by large currents. Also ensure that the ground traces of external components do not cause variations on the ground voltage. The ground lines must be as short and thick as possible to reduce line impedance.

### 5. Thermal Consideration

Should by any chance the power dissipation rating be exceeded the rise in temperature of the chip may result in deterioration of the properties of the chip. The absolute maximum rating of the Pd stated in this specification is when the IC is mounted on a 70mm x 70mm x 1.6mm glass epoxy board. In case of exceeding this absolute maximum rating, increase the board size and copper area to prevent exceeding the Pd rating.

### 6. Recommended Operating Conditions

These conditions represent a range within which the expected characteristics of the IC can be approximately obtained. The electrical characteristics are guaranteed under the conditions of each parameter.

### 7. Rush Current

When power is first supplied to the IC, it is possible that the internal logic may be unstable and inrush current may flow instantaneously due to the internal powering sequence and delays, especially if the IC has more than one power supply. Therefore, give special consideration to power coupling capacitance, power wiring, width of ground wiring, and routing of connections.

### 8. Operation Under Strong Electromagnetic Field

Operating the IC in the presence of a strong electromagnetic field may cause the IC to malfunction.

### 9. Testing on Application Boards

When testing the IC on an application board, connecting a capacitor directly to a low-impedance output pin may subject the IC to stress. Always discharge capacitors completely after each process or step. The IC's power supply should always be turned off completely before connecting or removing it from the test setup during the inspection process. To prevent damage from static discharge, ground the IC during assembly and use similar precautions during transport and storage.

### 10. Inter-pin Short and Mounting Errors

Ensure that the direction and position are correct when mounting the IC on the PCB. Incorrect mounting may result in damaging the IC. Avoid nearby pins being shorted to each other especially to ground, power supply and output pin. Inter-pin shorts could be due to many reasons such as metal particles, water droplets (in very humid environment) and unintentional solder bridge deposited in between pins during assembly to name a few.



Operational Notes – continued

11. Unused Input Terminals

Input terminals of an IC are often connected to the gate of a MOS transistor. The gate has extremely high impedance and extremely low capacitance. If left unconnected, the electric field from the outside can easily charge it. The small charge acquired in this way is enough to produce a significant effect on the conduction through the transistor and cause unexpected operation of the IC. So unless otherwise specified, unused input terminals should be connected to the power supply or ground line.

12. Regarding the Input Pin of the IC

This monolithic IC contains P+ isolation and P substrate layers between adjacent elements in order to keep them isolated. P-N junctions are formed at the intersection of the P layers with the N layers of other elements, creating a parasitic diode or transistor. For example (refer to figure below):

When GND > Pin A and GND > Pin B, the P-N junction operates as a parasitic diode.  
 When GND > Pin B, the P-N junction operates as a parasitic transistor.

Parasitic diodes inevitably occur in the structure of the IC. The operation of parasitic diodes can result in mutual interference among circuits, operational faults, or physical damage. Therefore, conditions that cause these diodes to operate, such as applying a voltage lower than the GND voltage to an input pin (and thus to the P substrate) should be avoided.

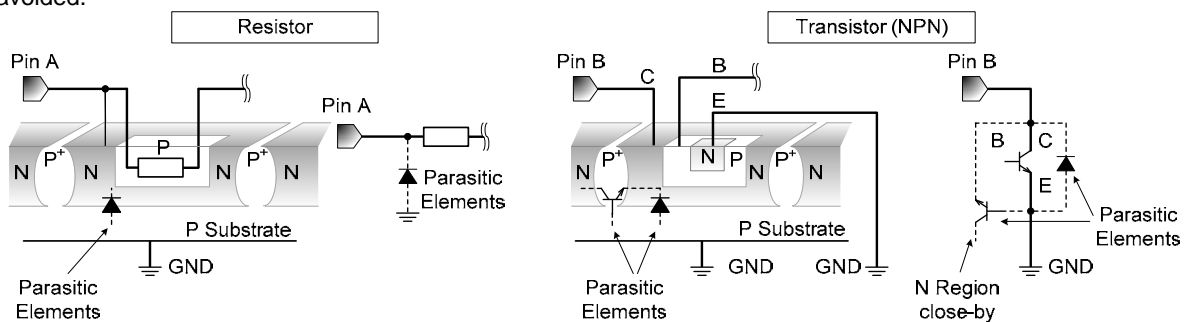


Figure 32. Example of monolithic IC structure

13. Ceramic Capacitor

When using a ceramic capacitor, determine the dielectric constant considering the change of capacitance with temperature and the decrease in nominal capacitance due to DC bias and others.

14. Area of Safe Operation (ASO)

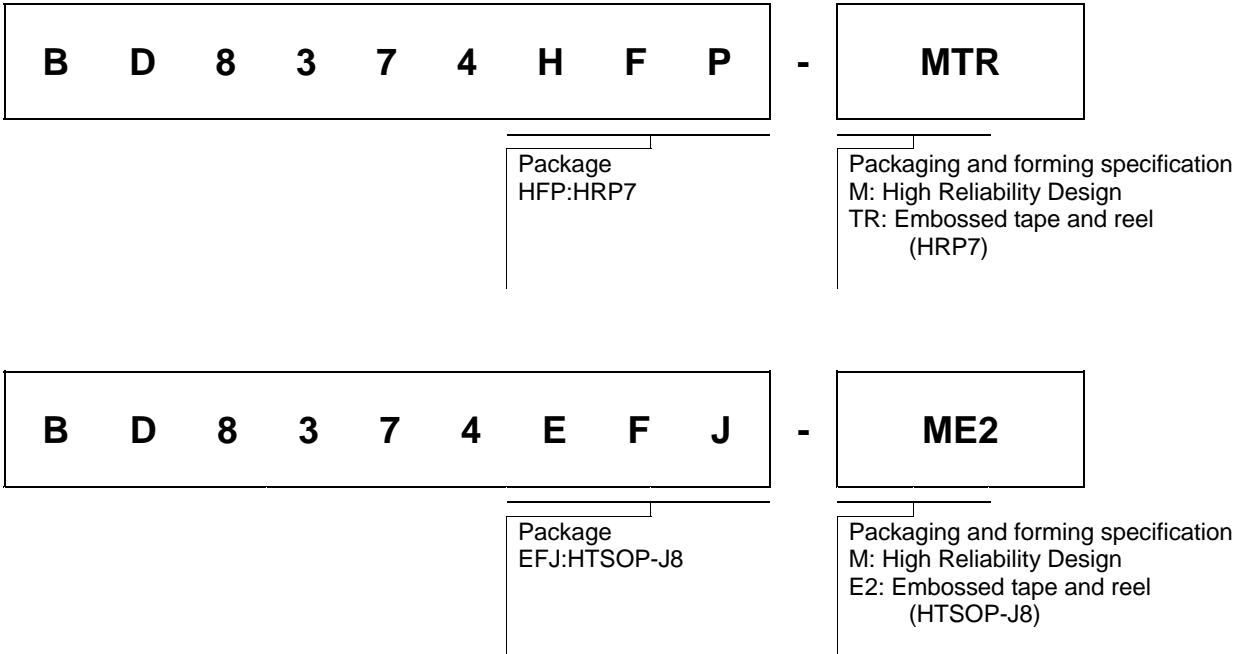
Operate the IC such that the output voltage, output current, and power dissipation are all within the Area of Safe Operation (ASO).

15. Thermal Shutdown Circuit(TSD)

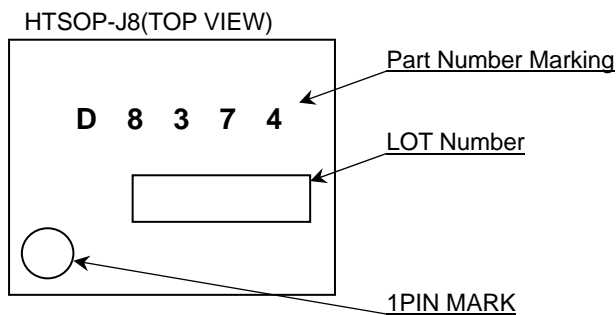
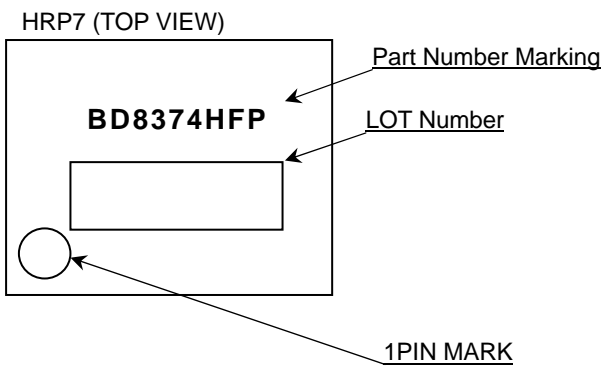
This IC has a built-in thermal shutdown circuit that prevents heat damage to the IC. Normal operation should always be within the IC's power dissipation rating. If however the rating is exceeded for a continued period, the junction temperature ( $T_j$ ) will rise which will activate the TSD circuit that will turn OFF all output pins. When the  $T_j$  falls below the TSD threshold, the circuits are automatically restored to normal operation.

Note that the TSD circuit operates in a situation that exceeds the absolute maximum ratings and therefore, under no circumstances, should the TSD circuit be used in a set design or for any purpose other than protecting the IC from heat damage.

Ordering Information

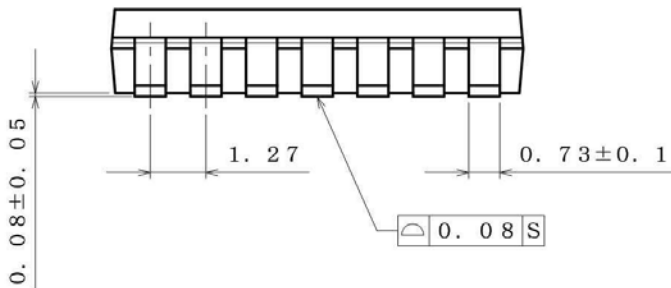
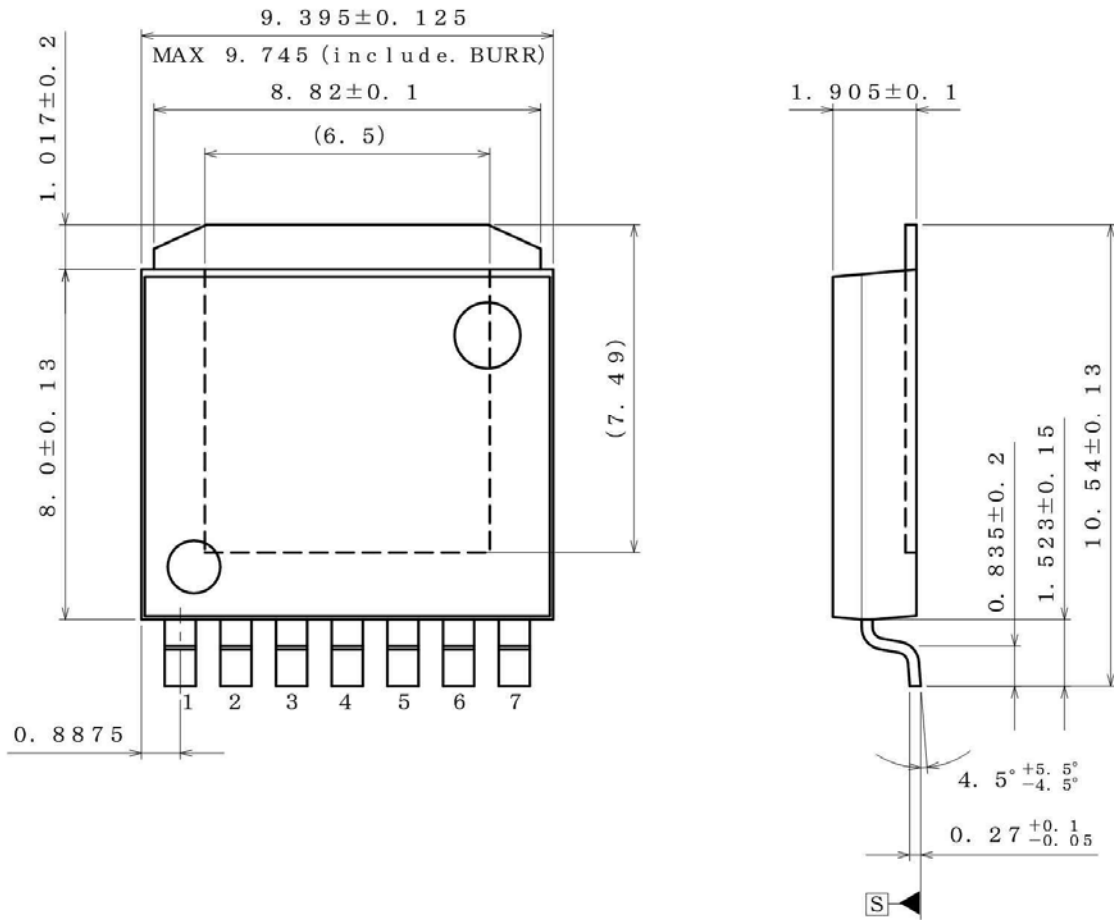


Marking Diagrams



Physical Dimension, Tape and Reel Information(BD8374HFP-M)

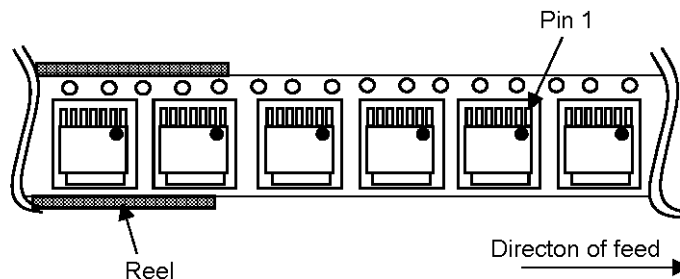
Package Name	HRP7
--------------	------



(UNIT ; mm)  
 PKG : HRP7  
 Drawing No. EX542-5002-2

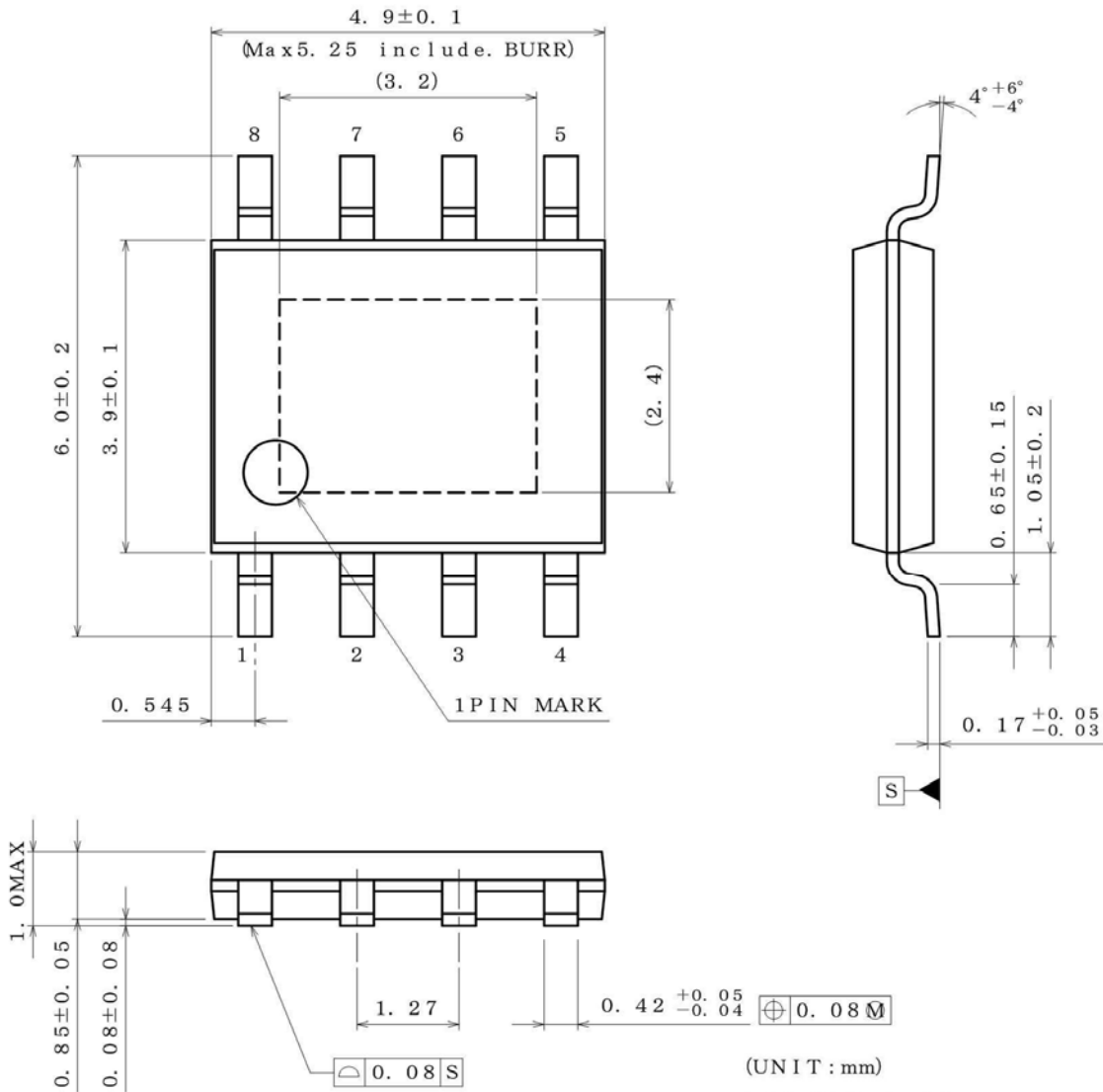
< Tape and Reel Information >

Tape	Embossed carrier tape
Quantity	2000pcs
Direction of feed	TR The direction is the pin 1 of product is at the upper right when you hold reel on the left hand and you pull out the tape on the right hand



Physical Dimension, Tape and Reel Information(BD8374VEFV-M)

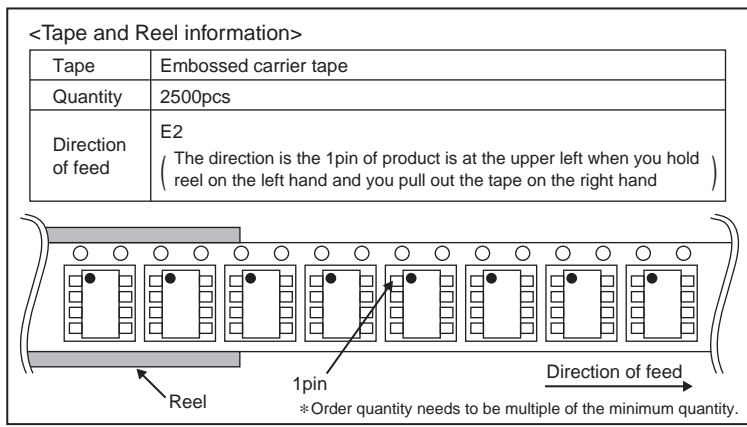
Package Name	HTSOP-J8
--------------	----------



(UNIT : mm)

PKG : HTSOP-J8

Drawing No. EX169-5002-2



## Revision History

Date	Revision	Changes
6.Aug.2013	001	New Release
14.May.2013	002	<p>General Added the capacitor to all Block Diagram</p> <p>Page.3 Absolute Maximum Ratings Revised</p> <p><b>Recommended Operating Conditions</b>  Minimum Pulse Width 100<math>\mu</math>s <math>\rightarrow</math> 20<math>\mu</math>s  Minimum capacitor connecting IOOUT terminal CIOOUT_MIN added  CRTIMER Frequency Range added</p> <p>Page.4 <b>Electrical Characteristics</b>  IOOUT Open detection Release Voltage added</p> <p>Page.5 Figure 7.(VIN vs VIN_F_REF) revised</p> <p>Page.7 Table of Operations revised</p> <p>Page.8 Figure 11. (PWM Dimming Operation) revised</p> <p>Page.11 the explanation of IOOUT Current at GND Short added</p> <p>Page.12 the explanation about Active zone of LED Open Detective  &amp; LED Short Detective Function and IOOUT Terminal Hi-Z zone added</p> <p>Page.15 Caution of driving IC used multi-power supply added</p> <p>Page.17 Guaranteed Range of Current Accuracy and LED Open Detection Range  Tenor Revised</p> <p>Page.18 How to Connect LED LED Tenor Revised</p> <p>Page.23 I/O equivalence circuits Number1,2 Revised</p>

# Notice

## Precaution on using ROHM Products

- If you intend to use our Products in devices requiring extremely high reliability (such as medical equipment <sup>(Note 1)</sup>, aircraft/spacecraft, nuclear power controllers, etc.) and whose malfunction or failure may cause loss of human life, bodily injury or serious damage to property ("Specific Applications"), please consult with the ROHM sales representative in advance. Unless otherwise agreed in writing by ROHM in advance, ROHM shall not be in any way responsible or liable for any damages, expenses or losses incurred by you or third parties arising from the use of any ROHM's Products for Specific Applications.

(Note1) Medical Equipment Classification of the Specific Applications

JAPAN	USA	EU	CHINA
CLASS III	CLASS III	CLASS II b	CLASS III
CLASS IV		CLASS III	

- ROHM designs and manufactures its Products subject to strict quality control system. However, semiconductor products can fail or malfunction at a certain rate. Please be sure to implement, at your own responsibilities, adequate safety measures including but not limited to fail-safe design against the physical injury, damage to any property, which a failure or malfunction of our Products may cause. The following are examples of safety measures:
  - Installation of protection circuits or other protective devices to improve system safety
  - Installation of redundant circuits to reduce the impact of single or multiple circuit failure
- Our Products are not designed under any special or extraordinary environments or conditions, as exemplified below. Accordingly, ROHM shall not be in any way responsible or liable for any damages, expenses or losses arising from the use of any ROHM's Products under any special or extraordinary environments or conditions. If you intend to use our Products under any special or extraordinary environments or conditions (as exemplified below), your independent verification and confirmation of product performance, reliability, etc, prior to use, must be necessary:
  - Use of our Products in any types of liquid, including water, oils, chemicals, and organic solvents
  - Use of our Products outdoors or in places where the Products are exposed to direct sunlight or dust
  - Use of our Products in places where the Products are exposed to sea wind or corrosive gases, including Cl<sub>2</sub>, H<sub>2</sub>S, NH<sub>3</sub>, SO<sub>2</sub>, and NO<sub>2</sub>
  - Use of our Products in places where the Products are exposed to static electricity or electromagnetic waves
  - Use of our Products in proximity to heat-producing components, plastic cords, or other flammable items
  - Sealing or coating our Products with resin or other coating materials
  - Use of our Products without cleaning residue of flux (even if you use no-clean type fluxes, cleaning residue of flux is recommended); or Washing our Products by using water or water-soluble cleaning agents for cleaning residue after soldering
  - Use of the Products in places subject to dew condensation
- The Products are not subject to radiation-proof design.
- Please verify and confirm characteristics of the final or mounted products in using the Products.
- In particular, if a transient load (a large amount of load applied in a short period of time, such as pulse. is applied, confirmation of performance characteristics after on-board mounting is strongly recommended. Avoid applying power exceeding normal rated power; exceeding the power rating under steady-state loading condition may negatively affect product performance and reliability.
- De-rate Power Dissipation (Pd) depending on Ambient temperature (Ta). When used in sealed area, confirm the actual ambient temperature.
- Confirm that operation temperature is within the specified range described in the product specification.
- ROHM shall not be in any way responsible or liable for failure induced under deviant condition from what is defined in this document.

## Precaution for Mounting / Circuit board design

- When a highly active halogenous (chlorine, bromine, etc.) flux is used, the residue of flux may negatively affect product performance and reliability.
- In principle, the reflow soldering method must be used; if flow soldering method is preferred, please consult with the ROHM representative in advance.

For details, please refer to ROHM Mounting specification

**Precautions Regarding Application Examples and External Circuits**

1. If change is made to the constant of an external circuit, please allow a sufficient margin considering variations of the characteristics of the Products and external components, including transient characteristics, as well as static characteristics.
2. You agree that application notes, reference designs, and associated data and information contained in this document are presented only as guidance for Products use. Therefore, in case you use such information, you are solely responsible for it and you must exercise your own independent verification and judgment in the use of such information contained in this document. ROHM shall not be in any way responsible or liable for any damages, expenses or losses incurred by you or third parties arising from the use of such information.

**Precaution for Electrostatic**

This Product is electrostatic sensitive product, which may be damaged due to electrostatic discharge. Please take proper caution in your manufacturing process and storage so that voltage exceeding the Products maximum rating will not be applied to Products. Please take special care under dry condition (e.g. Grounding of human body / equipment / solder iron, isolation from charged objects, setting of Ionizer, friction prevention and temperature / humidity control).

**Precaution for Storage / Transportation**

1. Product performance and soldered connections may deteriorate if the Products are stored in the places where:
  - [a] the Products are exposed to sea winds or corrosive gases, including Cl<sub>2</sub>, H<sub>2</sub>S, NH<sub>3</sub>, SO<sub>2</sub>, and NO<sub>2</sub>
  - [b] the temperature or humidity exceeds those recommended by ROHM
  - [c] the Products are exposed to direct sunshine or condensation
  - [d] the Products are exposed to high Electrostatic
2. Even under ROHM recommended storage condition, solderability of products out of recommended storage time period may be degraded. It is strongly recommended to confirm solderability before using Products of which storage time is exceeding the recommended storage time period.
3. Store / transport cartons in the correct direction, which is indicated on a carton with a symbol. Otherwise bent leads may occur due to excessive stress applied when dropping of a carton.
4. Use Products within the specified time after opening a humidity barrier bag. Baking is required before using Products of which storage time is exceeding the recommended storage time period.

**Precaution for Product Label**

QR code printed on ROHM Products label is for ROHM's internal use only.

**Precaution for Disposition**

When disposing Products please dispose them properly using an authorized industry waste company.

**Precaution for Foreign Exchange and Foreign Trade act**

Since our Products might fall under controlled goods prescribed by the applicable foreign exchange and foreign trade act, please consult with ROHM representative in case of export.

**Precaution Regarding Intellectual Property Rights**

1. All information and data including but not limited to application example contained in this document is for reference only. ROHM does not warrant that foregoing information or data will not infringe any intellectual property rights or any other rights of any third party regarding such information or data. ROHM shall not be in any way responsible or liable for infringement of any intellectual property rights or other damages arising from use of such information or data.:
2. No license, expressly or implied, is granted hereby under any intellectual property rights or other rights of ROHM or any third parties with respect to the information contained in this document.

**Other Precaution**

1. This document may not be reprinted or reproduced, in whole or in part, without prior written consent of ROHM.
2. The Products may not be disassembled, converted, modified, reproduced or otherwise changed without prior written consent of ROHM.
3. In no event shall you use in any way whatsoever the Products and the related technical information contained in the Products or this document for any military purposes, including but not limited to, the development of mass-destruction weapons.
4. The proper names of companies or products described in this document are trademarks or registered trademarks of ROHM, its affiliated companies or third parties.

**General Precaution**

1. Before you use our Products, you are requested to carefully read this document and fully understand its contents. ROHM shall not be in any way responsible or liable for failure, malfunction or accident arising from the use of any ROHM's Products against warning, caution or note contained in this document.
2. All information contained in this document is current as of the issuing date and subject to change without any prior notice. Before purchasing or using ROHM's Products, please confirm the latest information with a ROHM sales representative.
3. The information contained in this document is provided on an "as is" basis and ROHM does not warrant that all information contained in this document is accurate and/or error-free. ROHM shall not be in any way responsible or liable for any damages, expenses or losses incurred by you or third parties resulting from inaccuracy or errors of or concerning such information.





Компания «ЭлектроПласт» предлагает заключение долгосрочных отношений при поставках импортных электронных компонентов на взаимовыгодных условиях!

Наши преимущества:

- Оперативные поставки широкого спектра электронных компонентов отечественного и импортного производства напрямую от производителей и с крупнейших мировых складов;
- Поставка более 17-ти миллионов наименований электронных компонентов;
- Поставка сложных, дефицитных, либо снятых с производства позиций;
- Оперативные сроки поставки под заказ (от 5 рабочих дней);
- Экспресс доставка в любую точку России;
- Техническая поддержка проекта, помощь в подборе аналогов, поставка прототипов;
- Система менеджмента качества сертифицирована по Международному стандарту ISO 9001;
- Лицензия ФСБ на осуществление работ с использованием сведений, составляющих государственную тайну;
- Поставка специализированных компонентов (Xilinx, Altera, Analog Devices, Intersil, Interpoint, Microsemi, Aeroflex, Peregrine, Syfer, Eurofarad, Texas Instrument, Miteq, Cobham, E2V, MA-COM, Hittite, Mini-Circuits, General Dynamics и др.);

Помимо этого, одним из направлений компании «ЭлектроПласт» является направление «Источники питания». Мы предлагаем Вам помощь Конструкторского отдела:

- Подбор оптимального решения, техническое обоснование при выборе компонента;
- Подбор аналогов;
- Консультации по применению компонента;
- Поставка образцов и прототипов;
- Техническая поддержка проекта;
- Защита от снятия компонента с производства.



#### Как с нами связаться

**Телефон:** 8 (812) 309 58 32 (многоканальный)

**Факс:** 8 (812) 320-02-42

**Электронная почта:** [org@eplast1.ru](mailto:org@eplast1.ru)

**Адрес:** 198099, г. Санкт-Петербург, ул. Калинина, дом 2, корпус 4, литера А.