
6-Port USB 3.1 Gen 1 Smart Hub

Highlights

- USB Hub Feature Controller IC Hub with 6 USB 3.1 Gen 1 / USB 2.0 downstream ports
- USB-IF Battery Charger revision 1.2 support on up & downstream ports (DCP, CDP, SDP)
- **FlexConnect**: Downstream port able to swap with upstream port, allowing master capable devices to control other devices on the hub
- Internal Hub Feature Controller device enables:
 - USB to I²C/SPI/GPIO bridge endpoint support
 - USB to internal hub register write and read
- USB Link Power Management (LPM) support
- Enhanced OEM configuration options available through either OTP or SPI ROM
- Available in 100-pin (12mm x 12mm) VQFN RoHS compliant package
- Commercial and industrial grade temperature support

Target Applications

- Standalone USB Hubs
- Laptop Docks
- PC Motherboards
- PC Monitor Docks
- Multi-function USB 3.1 Gen 1 Peripherals

Key Benefits

- USB 3.1 Gen 1 compliant 5 Gbps, 480 Mbps, 12 Mbps, and 1.5Mbps operation
 - 5V tolerant USB 2.0 pins
 - 1.32V tolerant USB 3.1 Gen 1 pins
 - Integrated termination and pull-up/down resistors
- Supports battery charging of most popular battery powered devices on all ports
 - USB-IF Battery Charging rev. 1.2 support (DCP, CDP, SDP)
 - Apple® portable product charger emulation
 - Chinese YD/T 1591-2006 charger emulation
 - Chinese YD/T 1591-2009 charger emulation
 - European Union universal mobile charger support
 - Support for Microchip UCS100x family of battery charging controllers
 - Supports additional portable devices

- Smart port controller operation
 - Firmware handling of companion port power controllers
- On-chip microcontroller
 - manages I/Os, VBUS, and other signals
- 8 KB RAM, 64 KB ROM
- 8 KB One-Time-Programmable (OTP) ROM
 - Includes on-chip charge pump
- Configuration programming via OTP ROM, SPI ROM, or SMBus
- **FlexConnect**
 - Reversible upstream and downstream Port 1 roles on command
- **PortSwap**
 - Configurable USB 2.0 differential pair signal swap
- **PHYBoost**TM
 - Programmable USB transceiver drive strength for recovering signal integrity
- **VariSense**TM
 - Programmable USB receive sensitivity
- **Port Split**
 - USB2.0 and USB3.1 Gen1 port operation can be split for custom applications using embedded USB3.x devices in parallel with USB2.0 devices.
- USB Power Delivery Billboard Device Support
 - Internal port can enumerate as a Power Delivery Billboard device to communicate Power Delivery Alternate Mode negotiation failure cases to USB host
- Compatible with Microsoft Windows 10, 8, 7, XP, Apple OS X 10.4+, and Linux hub drivers
- Optimized for low-power operation and low thermal dissipation
- Package
 - 100-pin VQFN (12mm x 12mm)

TO OUR VALUED CUSTOMERS

It is our intention to provide our valued customers with the best documentation possible to ensure successful use of your Microchip products. To this end, we will continue to improve our publications to better suit your needs. Our publications will be refined and enhanced as new volumes and updates are introduced.

If you have any questions or comments regarding this publication, please contact the Marketing Communications Department via E-mail at docerrors@microchip.com or fax the **Reader Response Form** in the back of this data sheet to (480) 792-4150. We welcome your feedback.

Most Current Data Sheet

To obtain the most up-to-date version of this data sheet, please register at our Worldwide Web site at:

<http://www.microchip.com>

You can determine the version of a data sheet by examining its literature number found on the bottom outside corner of any page. The last character of the literature number is the version number, (e.g., DS30000A is version A of document DS30000).

Errata

An errata sheet, describing minor operational differences from the data sheet and recommended workarounds, may exist for current devices. As device/documentation issues become known to us, we will publish an errata sheet. The errata will specify the revision of silicon and revision of document to which it applies.

To determine if an errata sheet exists for a particular device, please check with one of the following:

- Microchip's Worldwide Web site; <http://www.microchip.com>
- Your local Microchip sales office (see last page)

When contacting a sales office, please specify which device, revision of silicon and data sheet (include literature number) you are using.

Customer Notification System

Register on our web site at www.microchip.com to receive the most current information on all of our products.

TABLE OF CONTENTS

Introduction 7
Pin Descriptions and Configuration 6
Functional Descriptions 9
Operational Characteristics..... 13
System Application 19
Package Outlines 26
Revision History 29
The Microchip Web Site 30
Customer Change Notification Service 30
Customer Support 30
Product Identification System 31

USB5806

1.0 PREFACE

1.1 General Terms

TABLE 1-1: GENERAL TERMS

Term	Description
ADC	Analog-to-Digital Converter
Byte	8 bits
CDC	Communication Device Class
CSR	Control and Status Registers
DWORD	32 bits
EOP	End of Packet
EP	Endpoint
FIFO	First In First Out buffer
FS	Full-Speed
FSM	Finite State Machine
GPIO	General Purpose I/O
HS	Hi-Speed
HSOS	High Speed Over Sampling
Hub Feature Controller	The Hub Feature Controller, sometimes called a Hub Controller for short is the internal processor used to enable the unique features of the USB Controller Hub. This is not to be confused with the USB Hub Controller that is used to communicate the hub status back to the Host during a USB session.
I ² C	Inter-Integrated Circuit
LS	Low-Speed
lsb	Least Significant Bit
LSB	Least Significant Byte
msb	Most Significant Bit
MSB	Most Significant Byte
N/A	Not Applicable
NC	No Connect
OTP	One Time Programmable
PCB	Printed Circuit Board
PCS	Physical Coding Sublayer
PHY	Physical Layer
PLL	Phase Lock Loop
RESERVED	Refers to a reserved bit field or address. Unless otherwise noted, reserved bits must always be zero for write operations. Unless otherwise noted, values are not guaranteed when reading reserved bits. Unless otherwise noted, do not read or write to reserved addresses.
SDK	Software Development Kit
SMBus	System Management Bus
UUID	Universally Unique Identifier
WORD	16 bits

1.2 Reference Documents

1. *UNICODE UTF-16LE For String Descriptors* USB Engineering Change Notice, December 29th, 2004, <http://www.usb.org>
2. *Universal Serial Bus Revision 3.1 Specification*, <http://www.usb.org>
3. *Battery Charging Specification*, Revision 1.2, Dec. 07, 2010, <http://www.usb.org>
4. *I²C-Bus Specification*, Version 1.1, <http://www.nxp.com>
5. *System Management Bus Specification*, Version 1.0, <http://smbus.org/specs>

USB5806

2.0 INTRODUCTION

2.1 General Description

The Microchip USB5806 hub is a low-power, OEM configurable, USB 3.1 Gen 1 hub controller with 6 downstream ports and advanced features for embedded USB applications. The USB5806 is fully compliant with the Universal Serial Bus Revision 3.1 Specification and USB 2.0 Link Power Management Addendum. The USB5806 supports 5 Gbps Super-Speed (SS), 480 Mbps Hi-Speed (HS), 12 Mbps Full-Speed (FS), and 1.5 Mbps Low-Speed (LS) USB downstream devices on all enabled downstream ports.

The USB5806 supports the legacy USB speeds (HS/FS/LS) through a dedicated USB 2.0 hub controller that is the culmination of five generations of Microchip hub controller design and experience with proven reliability, interoperability, and device compatibility. The SuperSpeed hub controller operates in parallel with the USB 2.0 hub controller, decoupling the 5 Gbps SS data transfers from bottlenecks due to the slower USB 2.0 traffic.

The USB5806 hub feature controller enables OEMs to configure their system using “Configuration Straps.” These straps simplify the configuration process, assigning default values to USB 3.1 Gen 1 ports and GPIOs. OEMs can disable ports, enable battery charging, and define GPIO functions as default assignments on power-up, removing the need for OTP or external SPI ROM.

The USB5806 supports downstream battery charging via the integrated battery charger detection circuitry, which supports the USB-IF Battery Charging (BC1.2) detection method and most Apple devices. The USB5806 provides the battery charging handshake and supports the following USB-IF BC1.2 charging profiles:

- DCP: Dedicated Charging Port (Power brick with no data)
- CDP: Charging Downstream Port (1.5A with data)
- SDP: Standard Downstream Port (0.5A with data)
- Custom profiles loaded via SMBus or OTP

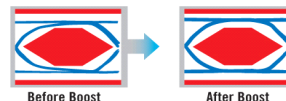
Additionally, the USB5806 includes many powerful and unique features such as:

The Hub Feature Controller, which provides an internal USB device dedicated for use as a USB to I²C/UART/SPI/GPIO interface, allowing external circuits or devices to be monitored, controlled, or configured via the USB interface.

FlexConnect, which provides flexible connectivity options. One of the USB5806’s downstream ports can be reconfigured to become the upstream port, allowing master capable devices to control other devices on the hub.

PortSwap, which adds per-port programmability to USB differential-pair pin locations. PortSwap allows direct alignment of USB signals (D+/D-) to connectors to avoid uneven trace length or crossing of the USB differential signals on the PCB.

PHYBoost, which provides programmable levels of Hi-Speed USB signal drive strength in the downstream port transceivers. PHYBoost attempts to restore USB signal integrity in a compromised system environment. The graphic on the right shows an example of Hi-Speed USB eye diagrams before and after PHYBoost signal integrity restoration. in a compromised system environment.



VariSense, which controls the USB receiver sensitivity enabling programmable levels of USB signal receive sensitivity. This capability allows operation in a sub-optimal system environment, such as when a captive USB cable is used.

Port Split, which allows for the USB3.1 Gen1 and USB2.0 portions of downstream ports 5 and 6 to operate independently and enumerate two separate devices in parallel in special applications.

USB Power Delivery Billboard Device, which allows an internal device to enumerate as a Billboard class device when a Power Delivery Alternate Mode negotiation has failed. The Billboard device will enumerate temporarily to the host PC when a failure occurs, as indicated by a digital signal from an external Power Delivery controller.

The USB5806 can be configured for operation through internal default settings. Custom OEM configurations are supported through external SPI ROM or OTP ROM. All port control signal pins are under firmware control in order to allow for maximum operational flexibility, and are available as GPIOs for customer specific use.

The USB5806 is available in commercial (0°C to +70°C) and industrial (-40°C to +85°C) temperature ranges. An internal block diagram of the USB5806 is shown in [Figure 2-1](#).

FIGURE 2-1: INTERNAL BLOCK DIAGRAM



USB5806

3.0 PIN DESCRIPTIONS

3.1 Pin Diagram

FIGURE 3-1: PIN ASSIGNMENTS (TOP VIEW)



Note 1: Configuration straps are identified by an underlined symbol name. Signals that function as configuration straps must be augmented with an external resistor when connected to a load. Refer to [Section 3.5, Configuration Straps and Programmable Functions](#)

3.2 Pin Symbols

Pin Num.	Pin Name	Reset	Pin Num.	Pin Name	Reset
1	RBIAS	A/P	51	PRT_CTL6/GPIO22	PD-50k
2	VDD33	A/P	52	PRT_CTL5/GPIO21	PD-50k
3	XTALI/CLKIN	A/P	53	HOST_TYPE0/GPIO23	PD-50k
4	XTALO	A/P	54	VDD33	A/P
5	VDD33	A/P	55	HOST_TYPE1/GPIO67	Z
6	USB2DN_DP1/PRT_DIS_P1	PD-15k	56	SPEED_IND3/BC_IND3/GPIO2	Z
7	USB2DN_DM1/PRT_DIS_M1	PD-15k	57	PRT_CTL4/GANG_PWR/GPIO20	PD-50k
8	USB3DN_TXDP1	Z	58	PRT_CTL3/GPIO19	PD-50k
9	USB3DN_TXDM1	Z	59	VDD12	A/P
10	VDD12	A/P	60	SPEED_IND4/BC_IND4/GPIO3	Z
11	USB3DN_RXDP1	Z	61	SPEED_IND2/BC_IND2/GPIO71	Z
12	USB3DN_RXDM1	Z	62	PRT_CTL2/GPIO18	PD-50k
13	USB2DN_DP2/PRT_DIS_P2	PD-15k	63	SPEED_IND1/BC_IND1/GPIO70	Z
14	USB2DN_DM2/PRT_DIS_M2	PD-15k	64	VDD33	A/P
15	USB3DN_TXDP2	Z	65	SPI_CLK/C_ATTACH3/GPIO4	Z
16	USB3DN_TXDM2	Z	66	SPI_DO/C_ATTACH2/GPIO5	PD-50k
17	VDD12	A/P	67	SPI_DI/GPIO9/CFG_BC_EN	Z
18	USB3DN_RXDP2	Z	68	SPI_CE_N/GPIO7/CFG_NON_REM	PU-50k
19	USB3DN_RXDM2	Z	69	GPIO69	Z
20	GPIO12/CFG_STRAP	Z	70	PRT_CTL1/GPIO17	PD-50k
21	FLEX_CMD/GPIO10	Z	71	SPEED_IND6/BC_IND6/GPIO66	Z
22	FLEX_STATE/GPIO72	Z	72	VDD33	A/P
23	TESTEN	Z	73	C_ATTACH1/GPIO1	Z
24	VBUS_DET/GPIO16	Z	74	SMBDATA/GPIO6	Z
25	RESET_N	R	75	SMBCLK/GPIO8	Z
26	VDD12	A/P	76	C_ATTACH0/GPIO64	Z
27	VDD33	A/P	77	SUSP_IND/GPIO68	Z
28	USB2DN_DP3/PRT_DIS_P3	PD-15k	78	VDD12	A/P
29	USB2DN_DM3/PRT_DIS_M3	PD-15k	79	NC	PD-15k
30	USB3DN_TXDP3	Z	80	NC	PD-15k
31	USB3DN_TXDM3	Z	81	NC	Z
32	VDD12	A/P	82	NC	Z
33	USB3DN_RXDP3	Z	83	VDD12	A/P
34	USB3DN_RXDM3	Z	84	NC	Z
35	USB2DN_DP4/PRT_DIS_P4	PD-15k	85	NC	Z
36	USB2DN_DM4/PRT_DIS_M4	PD-15k	86	USB2DN_DP6/PRT_DIS_P6	PD-15k
37	USB3DN_TXDP4	Z	87	USB2DN_DM6/PRT_DIS_M6	PD-15k
38	USB3DN_TXDM4	Z	88	USB3DN_TXDP6	Z
39	VDD12	A/P	89	USB3DN_TXDM6	Z
40	USB3DN_RXDP4	Z	90	VDD12	A/P
41	USB3DN_RXDM4	Z	91	USB3DN_RXDP6	Z
42	VDD33	A/P	92	USB3DN_RXDM6	Z
43	USB2DN_DP5/PRT_DIS_P5	PD-15k	93	VDD33	A/P
44	USB2DN_DM5/PRT_DIS_M5	PD-15k	94	USB2UP_DP	PD-1M
45	USB3DN_TXDP5	Z	95	USB2UP_DM	PD-1M
46	USB3DN_TXDM5	Z	96	USB3UP_TXDP	Z
47	VDD12	A/P	97	USB3UP_TXDM	Z
48	USB3DN_RXDP5	Z	98	VDD12	A/P
49	USB3DN_RXDM5	Z	99	USB3UP_RXDP	Z
50	SPEED_IND5/BC_IND5/GPIO65	Z	100	USB3UP_RXDM	Z

USB5806

The pin reset state definitions are detailed in [Table 3-1](#).

TABLE 3-1: PIN RESET STATE LEGEND

Symbol	Description
A/P	Analog/Power Input
R	Reset Control Input
Z	Hardware disables output driver (high impedance)
PU-50k	Hardware enables internal 50kΩ pull-up
PD-50k	Hardware enables internal 50kΩ pull-down
PD-15k	Hardware enables internal 15kΩ pull-down
PD-1M	Hardware enables internal 1M pull-down

3.3 USB5806 Pin Descriptions

This section contains descriptions of the various USB5806 pins. The pin descriptions have been broken into functional groups as follows:

- [USB 3.1 Gen 1 Pin Descriptions](#)
- [USB 2.0 Pin Descriptions](#)
- [Port Control Pin Descriptions](#)
- [SPI Interface](#)
- [USB Type-C Connector Controls](#)
- [Miscellaneous Pin Descriptions](#)
- [Configuration Strap Pin Descriptions](#)
- [Power and Ground Pin Descriptions](#)

The “_N” symbol in the signal name indicates that the active, or asserted, state occurs when the signal is at a low voltage level. For example, `RESET_N` indicates that the reset signal is active low. When “_N” is not present after the signal name, the signal is asserted when at the high voltage level.

The terms assertion and negation are used exclusively. This is done to avoid confusion when working with a mixture of “active low” and “active high” signal. The term assert, or assertion, indicates that a signal is active, independent of whether that level is represented by a high or low voltage. The term negate, or negation, indicates that a signal is inactive.

TABLE 3-2: USB 3.1 GEN 1 PIN DESCRIPTIONS

Name	Symbol	Buffer Type	Description
USB 3.1 Gen 1 Upstream D+ TX	<code>USB3UP_TXDP</code>	I/O-U	Upstream USB 3.1 Gen 1 Transmit Data Plus
USB 3.1 Gen 1 Upstream D- TX	<code>USB3UP_TXDM</code>	I/O-U	Upstream USB 3.1 Gen 1 Transmit Data Minus
USB 3.1 Gen 1 Upstream D+ RX	<code>USB3UP_RXDP</code>	I/O-U	Upstream USB 3.1 Gen 1 Receive Data Plus
USB 3.1 Gen 1 Upstream D- RX	<code>USB3UP_RXDM</code>	I/O-U	Upstream USB 3.1 Gen 1 Receive Data Minus

TABLE 3-2: USB 3.1 GEN 1 PIN DESCRIPTIONS (CONTINUED)

Name	Symbol	Buffer Type	Description
USB 3.1 Gen 1 Ports 6-1 D+ TX	USB3DN_TXDP[6:1]	I/O-U	Downstream Super Speed Transmit Data Plus, ports 6 through 1.
USB 3.1 Gen 1 Ports 6-1 D- TX	USB3DN_TXDM[6:1]	I/O-U	Downstream Super Speed Transmit Data Minus, ports 6 through 1.
USB 3.1 Gen 1 Ports 6-1 D+ RX	USB3DN_RXDP[6:1]	I/O-U	Downstream Super Speed Receive Data Plus, ports 6 through 1.
USB 3.1 Gen 1 Ports 6-1 D- RX	USB3DN_RXDM[6:1]	I/O-U	Downstream Super Speed Receive Data Minus, ports 6 through 1.

TABLE 3-3: USB 2.0 PIN DESCRIPTIONS

Name	Symbol	Buffer Type	Description
USB 2.0 Upstream D+	USB2UP_DP	I/O-U	Upstream USB 2.0 Data Plus (D+)
USB 2.0 Upstream D-	USB2UP_DM	I/O-U	Upstream USB 2.0 Data Minus (D-)
USB 2.0 Ports 6 D+	USB2DN_DP[6:1]	I/O-U	Downstream USB 2.0 Ports 6-1 Data Plus (D+)
USB 2.0 Ports 6 D-	USB2DN_DM[6:1]	I/O-U	Downstream USB 2.0 Ports 6-1 Data Minus (D-)
VBUS Detect	VBUS_DET	IS	<p>This signal detects the state of the upstream bus power.</p> <p>When designing a detachable hub, this pin must be connected to the VBUS power pin of the upstream USB port through a resistor divider (50 kΩ by 100 kΩ) to provide 3.3 V.</p> <p>For self-powered applications with a permanently attached host, this pin must be connected to either 3.3 V or 5.0 V through a resistor divider to provide 3.3 V.</p> <p>In embedded applications, VBUS_DET may be controlled (toggled) when the host desires to renegotiate a connection without requiring a full reset of the device.</p>

TABLE 3-4: PORT CONTROL PIN DESCRIPTIONS

Name	Symbol	Buffer Type	Description
Port 6 Power Enable / Overcurrent Sense	PRT_CTL6	I/OD12 (PU)	<p>Port 6 Power Enable / Overcurrent Sense.</p> <p>When the downstream port is enabled, this pin is set as an input with an internal pull-up resistor applied. The internal pull-up enables power to the downstream port while the pin monitors for an active low overcurrent signal assertion from an external current monitor on USB port 6.</p> <p>This pin will change to an output and be driven low when the port is disabled by configuration or by the host control.</p>
Port 5 Power Enable / Overcurrent Sense	PRT_CTL5	I/OD12 (PU)	<p>Port 5 Power Enable / Overcurrent Sense.</p> <p>When the downstream port is enabled, this pin is set as an input with an internal pull-up resistor applied. The internal pull-up enables power to the downstream port while the pin monitors for an active low overcurrent signal assertion from an external current monitor on USB port 5.</p> <p>This pin will change to an output and be driven low when the port is disabled by configuration or by the host control.</p>
Port 4 Power Enable / Overcurrent Sense	PRT_CTL4	I/OD12 (PU)	<p>Port 4 Power Enable / Overcurrent Sense.</p> <p>When the downstream port is enabled, this pin is set as an input with an internal pull-up resistor applied. The internal pull-up enables power to the downstream port while the pin monitors for an active low overcurrent signal assertion from an external current monitor on USB port 4.</p> <p>This pin will change to an output and be driven low when the port is disabled by configuration or by the host control.</p>
Port 3 Power Enable / Overcurrent Sense	PRT_CTL3	I/OD12 (PU)	<p>Port 3 Power Enable / Overcurrent Sense.</p> <p>When the downstream port is enabled, this pin is set as an input with an internal pull-up resistor applied. The internal pull-up enables power to the downstream port while the pin monitors for an active low overcurrent signal assertion from an external current monitor on USB port 3.</p> <p>This pin will change to an output and be driven low when the port is disabled by configuration or by the host control.</p>

TABLE 3-4: PORT CONTROL PIN DESCRIPTIONS (CONTINUED)

Name	Symbol	Buffer Type	Description
Port 2 Power Enable / Overcurrent Sense	PRT_CTL2	I/OD12 (PU)	<p>Port 2 Power Enable / Overcurrent Sense.</p> <p>When the downstream port is enabled, this pin is set as an input with an internal pull-up resistor applied. The internal pull-up enables power to the downstream port while the pin monitors for an active low overcurrent signal assertion from an external current monitor on USB port 2.</p> <p>This pin will change to an output and be driven low when the port is disabled by configuration or by the host control.</p>
Port 1 Power Enable / Overcurrent Sense	PRT_CTL1	I/OD12 (PU)	<p>Port 1 Power Enable / Overcurrent Sense.</p> <p>When the downstream port is enabled, this pin is set as an input with an internal pull-up resistor applied. The internal pull-up enables power to the downstream port while the pin monitors for an active low overcurrent signal assertion from an external current monitor on USB port 1.</p> <p>This pin will change to an output and be driven low when the port is disabled by configuration or by the host control.</p>
Gang Power	GANG_PWR	I	<p>GANG_PWR becomes the port control (PRTCTL) pin for all downstream ports when the hub is configured for ganged port power control mode. All port power controllers should be controlled from this pin when the hub is configured for ganged port power mode.</p>
FlexConnect Control	FLEX_CMD	I	<p>FlexConnect control input.</p> <p>When low, the hub will operate in its default state. Port 0 is the upstream port and port 1 is a downstream port.</p> <p>When high, the hub will operate in its flexed state. Port 0 is a downstream port and port 1 is an upstream port.</p>
FlexConnect Indicator	FLEX_STATE	O12	<p>FlexConnect indicator output. Reflects the current state of FlexConnect.</p> <p>0 = Hub is in default mode of operation 1 = Hub is in flexed mode of operation.</p>

TABLE 3-5: SPI INTERFACE

Name	Symbol	Buffer Type	Description
SPI Chip Enable	SPI_CE_N	I/O12	This is the active low SPI chip enable output. If the SPI interface is enabled, this pin must be driven high in power-down states.
SPI Clock	SPI_CLK	I/O-U	This is the SPI clock out to the serial ROM. If the SPI interface is disabled, by setting the SPI_DIS-ABLE bit in the UTIL_CONFIG1 register, this pin becomes GPIO4 . If the SPI interface is enabled this pin must be driven low during reset.
SPI Data Output	SPI_DO	I/O-U	SPI data output, when configured for SPI operation.
SPI Data Input	SPI_DI	I/O-U	SPI data input, when configured for SPI operation.

Note: If SPI memory device is not used, these pins may not be simply floated. These pins must be handled per their respective alternate pin functions descriptions (C_ATTACH2, C_ATTACH3, CFG_BC_EN, CFG_NON_REM).

TABLE 3-6: USB TYPE-C CONNECTOR CONTROLS

Name	Symbol	Buffer Type	Description
USB Type-C Attach Control Input 0-3	C_ATTACH[0:3]	I (PD)	<p>USB Type-C attach control input.</p> <p>This pin indicates to the hub when a valid USB Type-C attach has been detected. This pin is used by the hub to enable the USB 3.1 Gen 1 PHY when a Type-C connection is present. When there is no USB Type-C connection present, the USB 3.1 Gen 1 PHY is disabled to reduce power consumption.</p> <p>This pin behaves as follows:</p> <ul style="list-style-type: none"> - 1: USB Type-C attach detected, turn respective USB 3.1 Gen 1 PHY on. - 0: No USB Type-C attach detected, turn respective USB 3.1 Gen 1 PHY off. <p>When using legacy USB Type-A and Type-B connectors, pull these pins to 3.3V to permanently enable all USB 3.1 PHYs.</p>

TABLE 3-7: MISCELLANEOUS PIN DESCRIPTIONS

Name	Symbol	Buffer Type	Description
SMBus/I ² C Clock	SMBCLK	I/O12	SMBus/I ² C Clock The SMBus/I ² C interface acts as SMBus slave or I ² C bridge dependent on the device configuration. For information on how to configure this interface refer to Section 3.5.1, CFG_STRAP Configuration .
SMBus/I ² C Data	SMBDATA	I/O12	SMBus/I ² C Data The SMBus/I ² C interface acts as SMBus slave or I ² C bridge dependent on the device configuration. For information on how to configure this interface refer to Section 3.5.1, CFG_STRAP Configuration .
USB Port 6-1 Speed Indicator	SPEED_IND[6:1]	O12	USB Port Speed Indicator Indicates the connection speed of the respective port. Tri-state: Not connected 0: USB 2.0 / USB 1.1 1: USB 3.1 Gen 1
USB Port 6-1 Battery Charging Indicator	BC_IND[6:1]	O12	USB Battery Charging Indicator Indicates the connection speed of the respective port. Tri-state: Battery Charging not enabled 0: Battery Charging enabled and successful BC handshake has occurred. 1: Battery Charging enabled, but no BC handshake has occurred.
USB Host Port 1-0 Speed Indicator	HOST_TYPE_[1:0]	O12	USB Host Port Speed Indicator Tri-state: Not connected 0: USB 3.1 Gen 1 1: USB 2.0 / USB 1.1
General Purpose I/O	GPIO[1:10], GPIO12, GPIO[16:23], GPIO[64:72]	I/O12 (PU/PD)	General Purpose Inputs/Outputs Refer to Section 3.5.5, General Purpose input/Output Configuration (GPIOx) for details.
USB 2.0 Suspend State Indicator	SUSP_IND	O12	USB 2.0 Suspend State Indicator SUSP_IND can be used as a sideband remote wakeup signal for the host when in USB 2.0 suspend.
Reset Control Input	RESET_N	IS	Reset Control Input This pin places the hub into Reset Mode when pulled low.

USB5806

TABLE 3-7: MISCELLANEOUS PIN DESCRIPTIONS (CONTINUED)

Name	Symbol	Buffer Type	Description
Bias Resistor	RBIAS	I-R	A 12.0 k Ω (+/- 1%) resistor is attached from ground to this pin to set the transceiver's internal bias settings. Place the resistor as close to the device as possible with a dedicated, low impedance connection to the GND plane.
External 25 MHz Crystal Input	XTALI	ICLK	External 25 MHz crystal input
External 25 MHz Reference Clock Input	CLKIN	ICLK	External reference clock input. The device may alternatively be driven by a single-ended clock oscillator. When this method is used, XTALO should be left unconnected.
External 25 MHz Crystal Output	XTALO	OCLK	External 25 MHz crystal output
Test	TESTEN	I/O12	Test pin. This signal is used for test purposes and must always be connected to ground.
No Connect	NC	-	No connect. For proper operation, this signal must be left unconnected.

TABLE 3-8: CONFIGURATION STRAP PIN DESCRIPTIONS

Name	Symbol	Buffer Type	Description
Device Mode Configuration Strap	<u>CFG_STRAP</u>	I	Device Mode Configuration Strap. This configuration strap is used to set the device mode. Refer to Section 3.5.1, CFG_STRAP Configuration for details. See Note 2
Port 6-1 D+ Disable Configuration Strap	<u>PRT_DIS_P[6:1]</u>	I	Port 6-1 D+ Disable Configuration Strap. These configuration straps are used in conjunction with the corresponding <u>PRT_DIS_M[6:1]</u> straps to disable the related port (6-1). Refer to Section 3.5.2, Port Disable Configuration (PRT_DIS_P[6:1] / PRT_DIS_M[6:1]) for more information. See Note 2
Port 6-1 D- Disable Configuration Strap	<u>PRT_DIS_M[6:1]</u>	I	Port 6-1 D- Disable Configuration Strap. These configuration straps are used in conjunction with the corresponding <u>PRT_DIS_P[6:1]</u> straps to disable the related port (6-1). Refer to Section 3.5.2, Port Disable Configuration (PRT_DIS_P[6:1] / PRT_DIS_M[6:1]) for more information. See Note 2
Non-Removable Ports Configuration Strap	<u>CFG_NON_REM</u>	I	Configuration strap to control number of reported non-removal ports. See Section 3.5.3, Non-Removable Port Configuration (CFG_NON_REM) See Note 2
Battery Charging Configuration Strap	<u>CFG_BC_EN</u>	I	Configuration strap to control number of BC 1.2 enabled downstream ports. See Section 3.5.4, Battery Charging Configuration (CFG_BC_EN) See Note 2

Note 2: Configuration strap values are latched on Power-On Reset (POR) and the rising edge of **RESET_N** (external chip reset). Configuration straps are identified by an underlined symbol name. Signals that function as configuration straps must be augmented with an external resistor when connected to a load. Refer to [Section 3.5, Configuration Straps and Programmable Functions](#) for additional information.

TABLE 3-9: POWER AND GROUND PIN DESCRIPTIONS

Name	Symbol	Buffer Type	Description
+3.3V Power Supply Input	VDD33	P	+3.3 V power and internal regulator input Refer to Section 4.1, Power Connections for power connection information
+1.2V Core Power Supply Input	VDD12	P	+1.2 V core power Refer to Section 4.1, Power Connections for power connection information.
Ground	GND	P	Common ground. This exposed pad must be connected to the ground plane with a via array.

3.4 Buffer Type Descriptions

TABLE 3-10: USB5806 BUFFER TYPE DESCRIPTIONS

BUFFER	DESCRIPTION
I	Input.
IS	Input with Schmitt trigger.
O12	Output buffer with 12 mA sink and 12 mA source.
OD12	Open-drain output with 12 mA sink
PU	50 μ A (typical) internal pull-up. Unless otherwise noted in the pin description, internal pull-ups are always enabled. Internal pull-up resistors prevent unconnected inputs from floating. Do not rely on internal resistors to drive signals external to the device. When connected to a load that must be pulled high, an external resistor must be added.
PD	50 μ A (typical) internal pull-down. Unless otherwise noted in the pin description, internal pull-downs are always enabled. Internal pull-down resistors prevent unconnected inputs from floating. Do not rely on internal resistors to drive signals external to the device. When connected to a load that must be pulled low, an external resistor must be added.
ICLK	Crystal oscillator input pin
OCLK	Crystal oscillator output pin
I/O-U	Analog input/output defined in USB specification.
I-R	RBIAS.

Note: Refer to [Section 9.5, DC Specifications](#) for individual buffer DC electrical characteristics.

3.5 Configuration Straps and Programmable Functions

Configuration straps are multi-function pins that are used during Power-On Reset (POR) or external chip reset (**RESET_N**) to determine the default configuration of a particular feature. The state of the signal is latched following de-assertion of the reset. Configuration straps are identified by an underlined symbol name. This section details the various device configuration straps and associated programmable pin functions.

Note: The system designer must guarantee that configuration straps meet the timing requirements specified in [Section 9.6.2, Power-On and Configuration Strap Timing](#) and [Section 9.6.3, Reset and Configuration Strap Timing](#). If configuration straps are not at the correct voltage level prior to being latched, the device may capture incorrect strap values.

3.5.1 CFG_STRAP CONFIGURATION

The CFG_STRAP pin is used to place the hub into preset modes of operation. The resistor options are a 200 k Ω pull-down, 200 k Ω pull-up, 10 k Ω pull-down, 10 k Ω pull-up, 10 Ω pull-down, and 10 Ω pull-up as shown in [Table 3-11](#).

TABLE 3-11: CFG_STRAP RESISTOR ENCODING

<u>CFG_STRAP</u> Resistor Value	Config	Setting
200 k Ω Pull-Down	CONFIG1	<p>Speed Indicator Mode + I²C Bridging Mode</p> <p>The SMBus interface will operate in Master Mode for use with the USB to I²C bridging function. For more information on USB to I²C bridging with the USB5806, refer to the “USB to I²C Using Microchip USB 3.1 Gen 1 Hubs” application note.</p> <p>The following programmable pins will be re-purposed as USB Speed Indicator outputs:</p> <p>Pin 63: SPEED_IND1 Pin 61: SPEED_IND2 Pin 56: SPEED_IND3 Pin 60: SPEED_IND4 Pin 50: SPEED_IND5 Pin 71: SPEED_IND6</p> <p>The SPEED_INDx pins operate in the following manner:</p> <p>Tri-state: Not connected 0: USB 2.0 / USB 1.1 1: USB 3.1 Gen 1</p>

USB5806

TABLE 3-11: CFG_STRAP RESISTOR ENCODING (CONTINUED)

CFG_STRAP Resistor Value	Config	Setting
200 kΩ Pull-Up	CONFIG2	<p>Speed Indicator Mode + SMBus Slave Mode</p> <p>The SMBus interface will operate in Slave Mode for use with hub configuration.</p> <p>The following programmable pins will be re-purposed as USB Speed Indicator outputs:</p> <p>Pin 63: SPEED_IND1 Pin 61: SPEED_IND2 Pin 56: SPEED_IND3 Pin 60: SPEED_IND4 Pin 50: SPEED_IND5 Pin 71: SPEED_IND6</p> <p>The SPEED_INDx pins operate in the following manner:</p> <p>Tri-state: Not connected 0: USB 2.0 / USB 1.1 1: USB 3.1 Gen 1</p>
10 kΩ Pull-Down	CONFIG3	Unused, Reserved
10 kΩ Pull-Up	CONFIG4	Unused, Reserved
10 Ω Pull-Down	CONFIG5	<p>Battery Charging Indicator Mode</p> <p>The following programmable pins will be re-purposed as USB Battery Charging Indicator outputs:</p> <p>Pin 63: BC_IND1 Pin 61: BC_IND2 Pin 56: BC_IND3 Pin 60: BC_IND4 Pin 50: BC_IND5 Pin 71: BC_IND6</p> <p>The BC_INDx pins operate in the following manner:</p> <p>Tri-state: Battery Charging not enabled 0: Battery Charging enabled and successful BC handshake has occurred. 1: Battery Charging enabled, but no BC handshake has occurred.</p>
10 Ω Pull-Up	CONFIG6	Unused, Reserved

3.5.2 PORT DISABLE CONFIGURATION (PRT_DIS_P[6:1] / PRT_DIS_M[6:1])

The PRT_DIS_P[6:1] and PRT_DIS_M[6:1] configuration straps are used in conjunction to disable the related port (6-1).

For PRT_DIS_P_x (where x is the corresponding port 6-1):

- 0 = Port x D+ Enabled
- 1 = Port x D+ Disabled

For PRT_DIS_M_x (where x is the corresponding port 6-1):

- 0 = Port x D- Enabled
- 1 = Port x D- Disabled

Note: Both **PRT_DIS Px** and **PRT_DIS Mx** (where *x* is the corresponding port) must be tied to 3.3 V to disable the associated downstream port. Disabling the USB 2.0 port will also disable the corresponding USB 3.1 Gen 1 port.

3.5.3 NON-REMOVABLE PORT CONFIGURATION (**CFG_NON_REM**)

The **CFG_NON_REM** configuration strap is used to configure the non-removable port settings of the device to one of five settings. These modes are selected by the configuration of an external resistor on the **CFG_NON_REM** pin. The resistor options are a 200 kΩ pull-down, 200 kΩ pull-up, 10 kΩ pull-down, 10 kΩ pull-up, 10 Ω pull-down and 10 Ω pull-up as shown in [Table 3-12](#).

TABLE 3-12: CFG_NON_REM RESISTOR ENCODING

CFG_NON_REM Resistor Value	Setting
200 kΩ Pull-Down	All ports removable
200 kΩ Pull-Up	Port 1 non-removable
10 kΩ Pull-Down	Port 1, 2 non-removable
10 kΩ Pull-Up	Port 1, 2, 3, non-removable
10 Ω Pull-Down	Port 1, 2, 3, 4 non-removable
10 Ω Pull-Up	Port 1, 2, 3, 4, 5, 6 non-removable

3.5.4 BATTERY CHARGING CONFIGURATION (**CFG_BC_EN**)

The **CFG_BC_EN** configuration strap is used to configure the battery charging port settings of the device to one of five settings. These modes are selected by the configuration of an external resistor on the **CFG_BC_EN** pin. The resistor options are a 200 kΩ pull-down, 200 kΩ pull-up, 10 kΩ pull-down, 10 kΩ pull-up, 10 Ω pull-down and 10 Ω pull-up as shown in [Table 3-13](#).

TABLE 3-13: CFG_BC_EN RESISTOR ENCODING

CFG_BC_EN Resistor Value	Setting
200 kΩ Pull-Down	No battery charging
200 kΩ Pull-Up	Port 1 battery charging
10 kΩ Pull-Down	Port 1, 2 battery charging
10 kΩ Pull-Up	Port 1, 2, 3, battery charging
10 Ω Pull-Down	Port 1, 2, 3, 4 battery charging
10 Ω Pull-Up	Port 1, 2, 3, 4, 5, 6 battery charging

3.5.5 GENERAL PURPOSE INPUT/OUTPUT CONFIGURATION (**GPIOx**)

General Purpose Inputs/Outputs may be used for application specific purposes. Any given GPIO may operate as an input or an output. Inputs can apply an internal 50kΩ pull-down or pull-up resistor. Outputs may drive low or drive high (3.3V). GPIOs may be configured and manipulated during runtime (while enumerated to a host) in one of two ways:

- SMBus configuration
- USB to GPIO bridging

3.5.5.1 SMBus configuration

The SMBus slave interface may be used to write to internal registers that configure the state of the GPIO. Refer to the “Configuration Options for Microchip USB58xx and USB59xx Hubs” application note for additional details.

3.5.5.2 USB to GPIO Bridging

USB to GPIO Bridging may be used to write to internal registers that configure the state of the GPIO. USB to GPIO bridging operates via host communication to the hub’s internal Hub Feature Controller. Refer to the “USB to GPIO Bridging for Microchip USB3.1 Gen 1 Hubs” application note for additional details.

USB5806

4.0 DEVICE CONNECTIONS

4.1 Power Connections

Figure 4-1 illustrates the device power connections.

FIGURE 4-1: DEVICE POWER CONNECTIONS



4.2 SPI ROM Connections

Figure 4-2 illustrates the device SPI ROM connections. Refer to Section 7.1 "SPI Master Interface" for additional information on this device interface.

FIGURE 4-2: SPI ROM CONNECTIONS



4.3 SMBus Slave Connections

Figure 4-3 illustrates the device SMBus slave connections. Refer to Section 7.2 "SMBus Slave Interface" for additional information on this device interface.

FIGURE 4-3: SMBUS SLAVE CONNECTIONS



5.0 MODES OF OPERATION

The device provides two main modes of operation: Standby Mode and Hub Mode. These modes are controlled via the **RESET_N** pin, as shown in [Table 5-1](#).

TABLE 5-1: MODES OF OPERATION

RESET_N Input	Summary
0	Standby Mode: This is the lowest power mode of the device. No functions are active other than monitoring the RESET_N input. All port interfaces are high impedance and the PLL is halted. Refer to Section 8.4.2, External Chip Reset (RESET_N) for additional information on RESET_N .
1	Hub (Normal) Mode: The device operates as a configurable USB hub with battery charger detection. This mode has various sub-modes of operation, as detailed in Figure 5-1 . Power consumption is based on the number of active ports, their speed, and amount of data transferred.

The flowchart in [Figure 5-1](#) details the modes of operation and how the device traverses through the Hub Mode stages (shown in bold). The remaining sub-sections provide more detail on each stage of operation.

FIGURE 5-1: HUB BOOT FLOWCHART



USB5806

5.1 Standby Mode

If the **RESET_N** pin is asserted, the hub will be in Standby Mode. This mode provides a very low power state for maximum power efficiency when no signaling is required. This is the lowest power state. In Standby Mode all downstream ports are disabled, the USB data pins are held in a high-impedance state, all transactions immediately terminate (no states saved), all internal registers return to their default state, the PLL is halted, and core logic is powered down in order to minimize power consumption. Because core logic is powered off, no configuration settings are retained in this mode and must be re-initialized after **RESET_N** is negated high.

5.2 SPI Initialization Stage (SPI_INIT)

The first stage, the initialization stage, occurs on the deassertion of **RESET_N**. In this stage, the internal logic is reset, the PLL locks if a valid clock is supplied, and the configuration registers are initialized to their default state. The internal firmware then checks for an external SPI ROM. The firmware looks for an external SPI flash device that contains a valid signature of "2DFU" (device firmware upgrade) beginning at address 0xFFFFA. If a valid signature is found, then the external ROM is enabled and the code execution begins at address 0x0000 in the external SPI device. If a valid signature is not found, then execution continues from internal ROM (CFG_RD stage).

When using an external SPI ROM, a 1 Mbit, 60 MHz or faster ROM must be used. Both 1- and 2-bit SPI operation are supported. For optimum throughput, a 2-bit SPI ROM is recommended. Both mode 0 and mode 3 SPI ROMs are also supported.

If the system is not strapped for SPI Mode, code execution will continue from internal ROM (CFG_RD stage).

5.3 Configuration Read Stage (CFG_RD)

In this stage, the internal firmware loads the default values from the internal ROM and then uses the configuration strapping options to override the default values. Refer to [Section 3.5, Configuration Straps and Programmable Functions](#) for information on usage of the various device configuration straps.

5.4 Strap Read Stage (STRAP)

In this stage, the firmware registers the configuration strap settings and checks the state of **CFG_STRAP**. If **CFG_STRAP** is set for CONFIG2, then the hub will check the state of the **SMBDATA** and **SMBCLK** pins. If 10k pull-up resistors are detected on both pins, the device will enter the SOC_CFG stage. If 10k pull-up resistors are not detected on both pins, the hub will transition to the OTP_CFG stage instead.

5.5 SOC Configuration Stage (SOC_CFG)

In this stage, the SOC can modify any of the default configuration settings specified in the integrated ROM, such as USB device descriptors and port electrical settings.

There is no time limit on this mode. In this stage the firmware will wait indefinitely for the SMBus/I²C configuration. When the SOC has completed configuring the device, it must write to register 0xFF to end the configuration.

5.6 OTP Configuration Stage (OTP_CFG)

Once the SOC has indicated that it is done with configuration, all configuration data is combined in this stage. The default data, the SOC configuration data, and the OTP data are all combined in the firmware and the device is programmed.

After the device is fully configured, it will go idle and then into suspend if there is no VBUS or Hub.Connect present. Once VBUS is present, and battery charging is enabled, the device will transition to the Battery Charger Detection Stage. If VBUS is present, and battery charging is not enabled, the device will transition to the Connect stage.

5.7 Hub Connect Stage (Hub.Connect)

Once the CHGDET stage is completed, the device enters the Hub Connect stage. USB connect can be initiated by asserting the VBUS pin function high. The device will remain in the Hub Connect stage indefinitely until the VBUS pin function is deasserted.

5.8 Normal Mode

Lastly, the hub enters Normal Mode of operation. In this stage full USB operation is supported under control of the USB Host on the upstream port. The device will remain in the normal mode until the operating mode is changed by the system.

USB5806

6.0 DEVICE CONFIGURATION

The device supports a large number of features (some mutually exclusive), and must be configured in order to correctly function when attached to a USB host controller. The hub can be configured either internally or externally depending on the implemented interface.

Microchip provides a comprehensive software programming tool, Pro-Touch2, for configuring the USB5806 functions, registers and OTP memory. All configuration is to be performed via the Pro-Touch2 programming tool. For additional information on the Pro-Touch2 programming tool, refer to Software Libraries within Microchip USB5806 product page at www.microchip.com/USB5806.

Note: Device configuration straps and programmable pins are detailed in [Section 3.5, Configuration Straps and Programmable Functions](#). Refer to [Section 7.0, Device Interfaces](#) for detailed information on each device interface.

6.1 Customer Accessible Functions

The following functions are available to the customer via the Pro-Touch2 Programming Tool.

Note: For additional programming details, refer to the Pro-Touch2 programming tool User's Guide.

6.1.1 USB ACCESSIBLE FUNCTIONS

6.1.1.1 I²C Bridging Access over USB

Access to I²C devices is performed as a pass-through operation from the USB Host. The device firmware has no knowledge of the operation of the attached I²C device. For more information, refer to the Microchip USB5806 product page and Pro-Touch2 at www.microchip.com/USB5806.

Note: Refer to [Section 7.3, I2C Bridge Interface](#) for additional information on the I²C interface.

6.1.1.2 SPI Access over USB

Access to an attached SPI device is performed as a pass-through operation from the USB Host. The device firmware has no knowledge of the operation of the attached SPI device. For more information, refer to the Microchip USB5806 product page and SDK at www.microchip.com/USB5806.

Note: Refer to [Section 7.1, SPI Master Interface](#) for additional information on the SPI.

6.1.1.3 OTP Access

The OTP ROM in the device is accessible via the USB bus during normal runtime operation or SMBus during the SOC_CFG stage. For more information, refer to the Microchip USB5806 product page or the Pro-Touch2 User's Guide.

6.1.1.4 Battery Charging Access over USB

The Battery charging behavior of the device can be dynamically changed by the USB Host when something other than the preprogrammed or OTP programmed behavior is desired. For more information, refer to the Microchip USB5806 product page or the Pro-Touch2 User's Guide.

6.1.2 SMBUS ACCESSIBLE FUNCTIONS

OTP access and configuration of specific device functions are possible via the USB5806 SMBus slave interface. All OTP parameters can be modified via the SMBus Host. For more information refer to the Microchip USB5806 product page.

7.0 DEVICE INTERFACES

The USB5806 provides multiple interfaces for configuration and external memory access. This section details the various device interfaces and their usage:

- [SPI Master Interface](#)
- [SMBus Slave Interface](#)
- [I2C Bridge Interface](#)

Note: For details on how to enable each interface, refer to [Section 3.5, Configuration Straps and Programmable Functions](#).

For information on device connections, refer to [Section 4.0, Device Connections](#). For information on device configuration, refer to [Section 6.0, Device Configuration](#).

Microchip provides a comprehensive software programming tool, Pro-Touch2, for configuring the USB5806 functions, registers and OTP memory. All configuration is to be performed via the Pro-Touch2 programming tool. For additional information on the Pro-Touch2 programming tool, refer to Software Libraries within Microchip USB5806 product page at www.microchip.com/USB5806.

7.1 SPI Master Interface

The device is capable of code execution from an external SPI ROM. When configured for SPI Mode, on power up the firmware looks for an external SPI flash device that contains a valid signature of `2DFU` (device firmware upgrade) beginning at address `0xFFFFA`. If a valid signature is found, then the external ROM is enabled and the code execution begins at address `0x0000` in the external SPI device. If a valid signature is not found, then execution continues from internal ROM.

Note: For SPI timing information, refer to [Section 9.6.7, SPI Timing](#).

7.2 SMBus Slave Interface

The device includes an integrated SMBus slave interface, which can be used to access internal device run time registers or program the internal OTP memory. SMBus slave detection is accomplished by setting the [CFG_STRAP](#) in the correct configuration followed by detection of pull-up resistors on both the `SMDAT` and `SMCLK` signals during the hub's boot-up sequence. Refer to [Section 3.5.1, CFG_STRAP Configuration](#) for additional information.

Note: All configuration is to be performed via the Pro-Touch2 programming tool. For additional information on the Pro-Touch2 programming tool, refer to Software Libraries within Microchip USB5806 product page at www.microchip.com/USB5806.

7.3 I²C Bridge Interface

The I²C Bridge interface implements a subset of the I²C Master Specification (Please refer to the *Philips Semiconductor Standard I²C-Bus Specification* for details on I²C bus protocols). The I²C Bridge conforms to the Fast-Mode I²C Specification (400 kbit/s transfer rate and 7-bit addressing) for protocol and electrical compatibility. The device acts as the master and generates the serial clock `SCL`, controls the bus access (determines which device acts as the transmitter and which device acts as the receiver), and generates the START and STOP conditions. The I²C Bridge interface frequency is configurable through the I²C Bridging commands. I²C Bridge frequencies are derived from the formula $626\text{KHz}/n$, where n is any integer from 1 to 256. Refer to [Section 3.5.1, CFG_STRAP Configuration](#) for additional information.

Note: Extensions to the I²C Specification are not supported.
All configuration is to be performed via the Pro-Touch2 programming tool. For additional information on the Pro-Touch2 programming tool, refer to Software Libraries within Microchip USB5806 product page at www.microchip.com/USB5806.

USB5806

8.0 FUNCTIONAL DESCRIPTIONS

This section details various USB5806 functions, including:

- [USB Type-C Receptacle Support](#)
- [Battery Charging](#)
- [FlexConnect](#)
- [Resets](#)
- [Link Power Management \(LPM\)](#)
- [Remote Wakeup Indicator](#)
- [Port Control Interface](#)
- [Port Split](#)
-

8.1 USB Type-C Receptacle Support

The USB5806 has built-in support for the USB Type-C receptacle.

8.1.1 EXTERNAL USB 3.1 GEN 1 MULTIPLEXER

C_ATTACH[0:3] pins are used to signal to the hub when a valid USB Type-C connection has been detected. This functionality requires an external USB Type-C controller such as a Microchip UTC2000 to monitor the USB Type-C receptacle for a valid attach. This signal is used to enable and disable clocking to the USB 3.1 Gen 1 PHY in order to reduce power consumption when there is no USB Type-C attach.

The **C_ATTACH[0:3]** pins are active high inputs. A high signal enables clocking to the PHY to enable a USB 3.1 Gen 1 connection. A low signal disables the PHY.

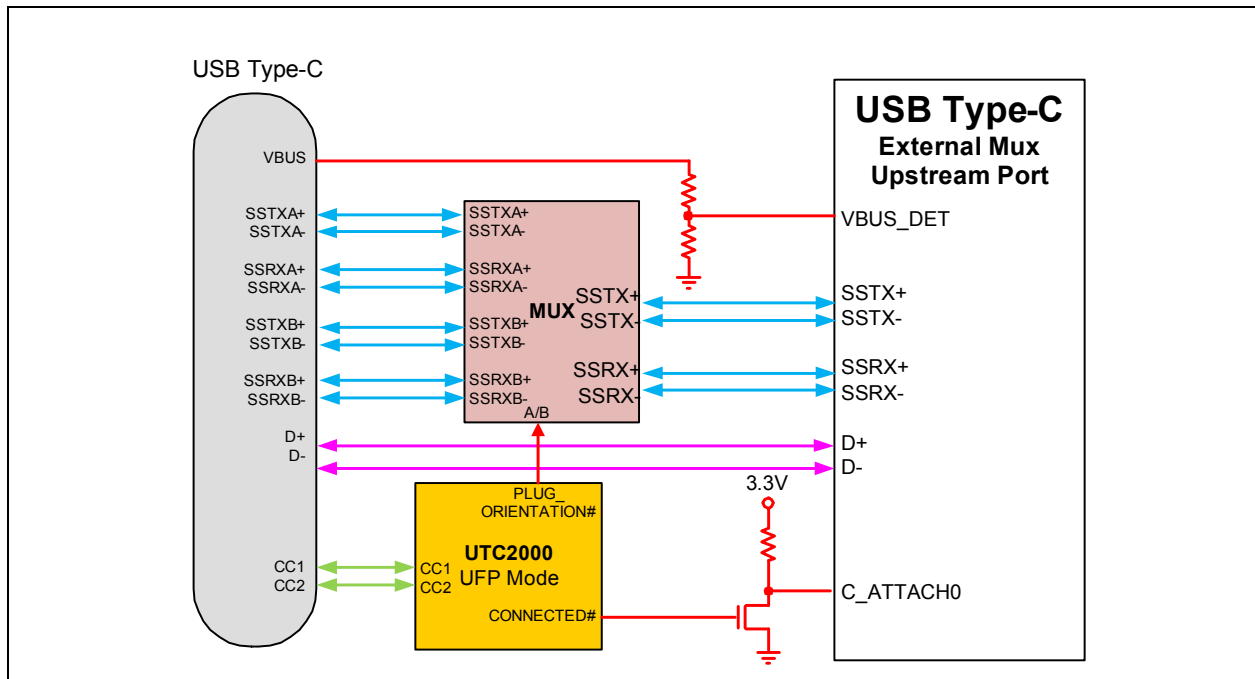
A diagram of a USB Type-C Downstream Facing Port with a USB5806, Microchip UTC2000, and external multiplexer is shown in [Figure 8-1](#).

A diagram of a USB Type-C Upstream Facing Port with a USB5806, Microchip UTC2000, and external multiplexer is shown in [Figure 8-2](#).

FIGURE 8-1: DFP TYPE-C PORT WITH MICROCHIP UTC2000 AND EXTERNAL MUX



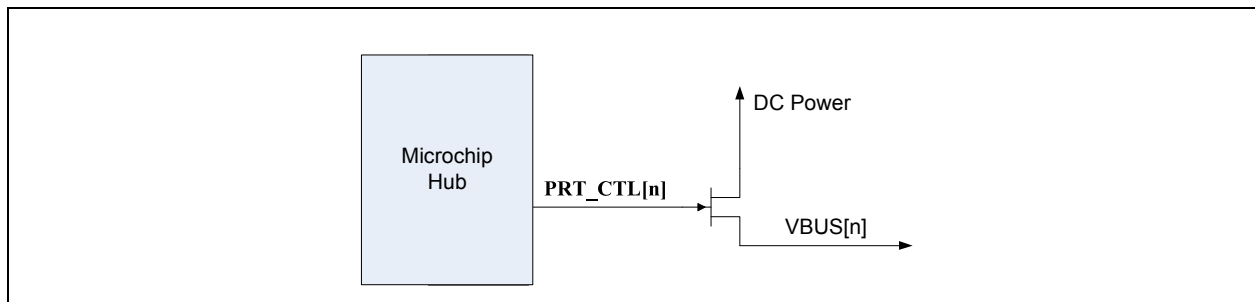
FIGURE 8-2: UFP TYPE-C PORT WITH MICROCHIP UTC2000 & EXTERNAL MUX



8.2 Battery Charging

The device can be configured by an OEM to have any of the downstream ports support battery charging. The hub's role in battery charging is to provide acknowledgment to a device's query as to whether the hub system supports USB battery charging. The hub silicon does not provide any current or power FETs or any additional circuitry to actually charge the device. Those components must be provided externally by the OEM.

FIGURE 8-3: BATTERY CHARGING EXTERNAL POWER SUPPLY



If the OEM provides an external supply capable of supplying current per the battery charging specification, the hub can be configured to indicate the presence of such a supply from the device. This indication, via the **PRT_CTL[6:1]** pins, is on a per port basis. For example, the OEM can configure two ports to support battery charging through high current power FETs and leave the other two ports as standard USB ports.

For additional information, refer to the Microchip USB5806 Battery Charging application note on the Microchip.com USB5806 product page www.microchip.com/USB5806.

USB5806

8.3 FlexConnect

This feature allows the upstream port to be swapped with downstream physical port 1. Only downstream port 1 can be swapped physically. The default state is when port 0 is the upstream port. The “flexed” state is when port 1 is the upstream port.

FlexConnect can be enabled/disabled in any of the following ways:

- [SMBus Configuration](#)
- [USB Command](#)
- [Direct Pin Control](#)

8.3.1 SMBUS CONFIGURATION

FlexConnect can be controlled via runtime configuration registers through the SMBus Slave Interface during hub runtime (after enumeration).

8.3.2 USB COMMAND

A USB command to the internal Hub Feature Controller can be used to configure and initiate FlexConnect.

8.3.3 DIRECT PIN CONTROL

The **FLEX_CMD** control input can be used to control the FlexConnect state. When driven or pulled low, the hub will operate in its default state. When driven or pull high, the hub will operate in its “flexed” state.

The **FLEX_STATE** output displays the current state of FlexConnect. It operates in the same manner regardless of how FlexConnect is controlled (SMBus, USB Command, or Direct Pin Control). When low, the hub is currently in its default state. When high, the hub is in its “flexed” state.

Note: For additional information, refer to the Microchip USB58xx/USB59xx FlexConnect application note on the Microchip.com USB5806 product page.

8.4 Resets

- [Power-On Reset \(POR\)](#)
- [External Chip Reset \(RESET_N\)](#)
- [USB Bus Reset](#)

8.4.1 POWER-ON RESET (POR)

A power-on reset occurs whenever power is initially supplied to the device, or if power is removed and reapplied to the device. A timer within the device will assert the internal reset per the specifications listed in [Section 9.6.2, Power-On and Configuration Strap Timing](#).

8.4.2 EXTERNAL CHIP RESET (RESET_N)

A valid hardware reset is defined as assertion of **RESET_N**, after all power supplies are within operating range, per the specifications in [Section 9.6.3, Reset and Configuration Strap Timing](#). While reset is asserted, the device (and its associated external circuitry) enters Standby Mode and consumes minimal current.

Assertion of **RESET_N** causes the following:

1. The PHY is disabled and the differential pairs will be in a high-impedance state.
2. All transactions immediately terminate; no states are saved.
3. All internal registers return to the default state.
4. The external crystal oscillator is halted.
5. The PLL is halted.

Note: All power supplies must have reached the operating levels mandated in Section 9.2, Operating Conditions** , prior to (or coincident with) the assertion of RESET_N .
--

8.4.3 USB BUS RESET

In response to the upstream port signaling a reset to the device, the device performs the following:

1. Sets default address to 0.
2. Sets configuration to Unconfigured.
3. Moves device from suspended to active (if suspended).
4. Complies with the USB Specification for behavior after completion of a reset sequence.

The host then configures the device in accordance with the USB Specification.

Note: The device does not propagate the upstream USB reset to downstream devices.

8.5 Link Power Management (LPM)

The device supports the L0 (On), L1 (Sleep), and L2 (Suspend) link power management states. These supported LPM states offer low transitional latencies in the tens of microseconds versus the much longer latencies of the traditional USB suspend/resume in the tens of milliseconds. The supported LPM states are detailed in [Table 8-1](#).

TABLE 8-1: LPM STATE DEFINITIONS

State	Description	Entry/Exit Time to L0
L2	Suspend	Entry: ~3 ms Exit: ~2 ms (from start of RESUME)
L1	Sleep	Entry: <10 us Exit: <50 us
L0	Fully Enabled (On)	-

8.6 Remote Wakeup Indicator

The remote wakeup indicator feature uses **SUSP_IND** as a side band signal to wake up the host when in USB 2.0 suspend. This feature is enabled and disabled via the **HUB_RESUME_INHIBIT** configuration bit in the hub configuration space register **HUB_CFG_3**. The only way to control the bit is by configuration EEPROM, SMBus or internal ROM default setting. The state is only modified during a power on reset, or hardware reset. No dynamic reconfiguring of this capability is possible.

When **HUB_RESUME_INHIBIT** = '0', Normal Resume Behavior per the USB 2.0 specification

When **HUB_RESUME_INHIBIT** = '1', Modified Resume Behavior is enabled

Note: The **SUSP_IND** signal only indicates the USB2.0 state.

8.7 Port Control Interface

Port power and over-current sense share the same pin (**PRT_CTLx**) for each port. These functions can be controlled directly from the USB hub, or via the processor. Additionally, smart port controllers can be controlled via the I²C interface.

The device can be configured into one of the two following port control modes:

- **Ganged Mode** - A single **GANG_PWR** pin controls power and detects over-current events for all downstream ports.
- **Individual Mode** - Each port has an individual **PRT_CTLx** pin for independent port power control and over-current detection.

Port connection in various modes are detailed in the following subsections.

USB5806

8.7.1 PORT CONNECTION IN GANGED MODE

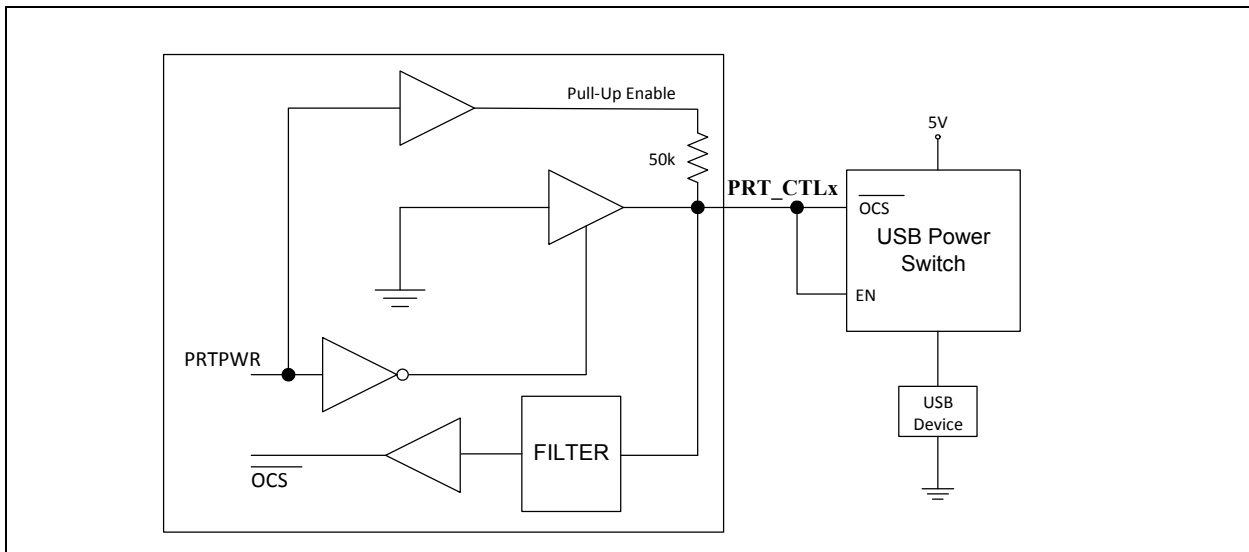
Ganged Mode is enabled via SMBus or OTP configuration. **GANG_PWR** becomes the port control (PRTCTL) pin for all downstream ports when the hub is configured for ganged port power control mode. All port power controllers should be controlled from this pin when the hub is configured for ganged port power mode. While in this mode of operation, an over-current event on any single downstream port will cause all downstream ports to be flagged for over-current.

8.7.2 PORT CONNECTION IN INDIVIDUAL MODE

8.7.2.1 Port Power Control using USB Power Switch

Individual mode is the default mode of operation. When operating in individual mode, the device will have one port power control and over-current sense pin for each downstream port. When disabling port power, the driver will actively drive a '0'. To avoid unnecessary power dissipation, the pull-up resistor will be disabled at that time. When port power is enabled, it will disable the output driver and enable the pull-up resistor, making it an open drain output. If there is an over-current situation, the USB Power Switch will assert the open drain OCS signal. The Schmidt trigger input will recognize that as a low. The open drain output does not interfere. The over-current sense filter handles the transient conditions such as low voltage while the device is powering up.

FIGURE 8-4: PORT POWER CONTROL WITH USB POWER SWITCH



When the port is enabled, the **PRT_CTLx** pin input is constantly sampled. Overcurrent events can be detected in one of two ways:

- Single, continuous low pulse (consecutive low samples over t_{ocs_single}), as shown in [Figure 8-5](#).
- Two short low pulses within a rolling window (two groupings of 1 or more low samples over t_{ocs_double}), as shown in [Figure 8-6](#).

FIGURE 8-5: SINGLE LOW PULSE OVERCURRENT DETECTION

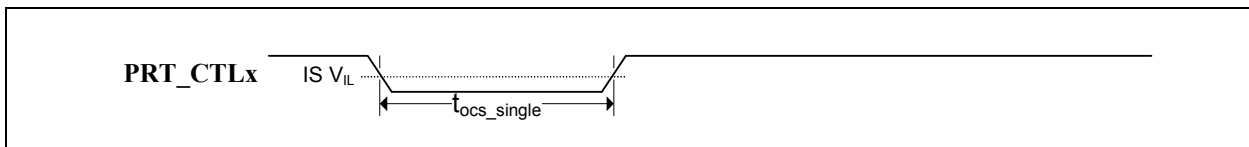
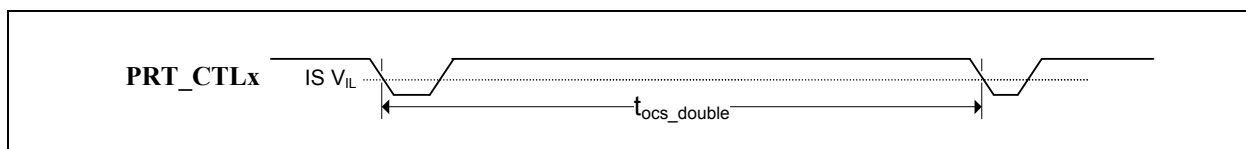


FIGURE 8-6: DOUBLE LOW PULSE OVERCURRENT DETECTION



To maximize compatibility with various port power control topologies, the parameters t_{ocs_single} and t_{ocs_double} are configurable via the [Overcurrent Minimum Pulse Width Register](#) and [Overcurrent Inactive Timer Register](#).

The pin also has a turn-on “lockout” feature where the state of the pin is ignored for a configured amount of time immediately after port power is turned on. This prevents slow ramp times due to parasitic resistance/capacitance attached to the pin from triggering false overcurrent detections. This parameter is configurable via the [Overcurrent Lockout Timer Register](#).

TABLE 8-2: OVERCURRENT MINIMUM PULSE WIDTH REGISTER

OCS_MIN_WIDTH (30EAh)			Overcurrent Detection Pulse Window
BIT	Name	R/W	Description
7:4	Reserved	R	Reserved
3:0	OCS_MIN_WIDTH	R/W	<p>The minimum overcurrent detection pulse width (t_{ocs_single}) is configured in this register.</p> <p>The range can be configured in 1ms increments from 0ms to 5ms.</p> <p>0000 - 0ms minimum overcurrent detection pulse width 0001 - 1ms minimum overcurrent detection pulse width 0010 - 2ms minimum overcurrent detection pulse width 0011 - 3ms minimum overcurrent detection pulse width 0100 - 4ms minimum overcurrent detection pulse width 0101 - 5ms minimum overcurrent detection pulse width [Default]</p>

TABLE 8-3: OVERCURRENT INACTIVE TIMER REGISTER

OCS_INACTIVE_TIMER (30EBh)			Overcurrent Inactive Timer After First Overcurrent Detection
BIT	Name	R/W	Description
7:0	OCS_INACTIVE_TIMER	R/W	<p>This register configures the timer within which a double low pulse triggers an overcurrent detection event (t_{ocs_double}).</p> <p>The timer can be incremented in 1ms steps. The default value is 20ms (14h).</p> <p>Note: This register should never be set to 00h.</p>

TABLE 8-4: OVERCURRENT LOCKOUT TIMER REGISTER

START_LOCKOUT_TIMER_REG (30E1h)			Start Lockout Timer Register
BIT	Name	R/W	Description
7:0	START_LOCKOUT_TIMER_REG	R/W	<p>The “start lockout timer” blocks an overcurrent event from being detected immediately after port power is turned on. Any overcurrent event within this timer value is ignored.</p> <p>The timer can be incremented in 1ms steps. The default value is 10ms (0Ah).</p> <p>Note: This register should never be set to 00h.</p>

8.7.2.2 Port Power Control using Poly Fuse

When using the device with a poly fuse, there is no need for an output power control. To maintain consistency, the same circuit will be used. A single port power control and over-current sense for each downstream port is still used from the Hub's perspective. When disabling port power, the driver will actively drive a '0'. This will have no effect as the external diode will isolate pin from the load. When port power is enabled, it will disable the output driver and enable the pull-up resistor. This means that the pull-up resistor is providing 3.3 volts to the anode of the diode. If there is an over-current situation, the poly fuse will open. This will cause the cathode of the diode to go to 0 volts. The anode of the diode will be at 0.7 volts, and the Schmidt trigger input will register this as a low resulting in an over-current detection. The open drain output does not interfere.

Note: The USB 2.0 and USB 3.1 Gen 1 bPwrOn2PwrGood descriptors must be set to 0 when using poly-fuse mode. Refer to the “Configuration Options for the USB58xx and USB59xx” Microchip application note for details on how to change these values.

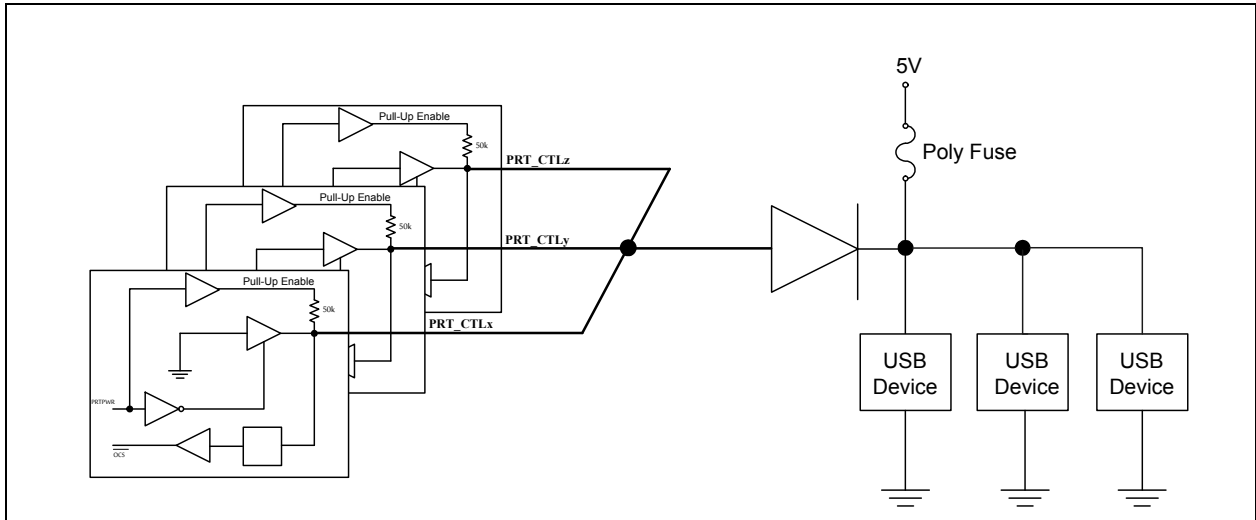
FIGURE 8-7: PORT POWER CONTROL USING A POLY FUSE



8.7.2.3 Port Power Control with Single Poly Fuse and Multiple Loads

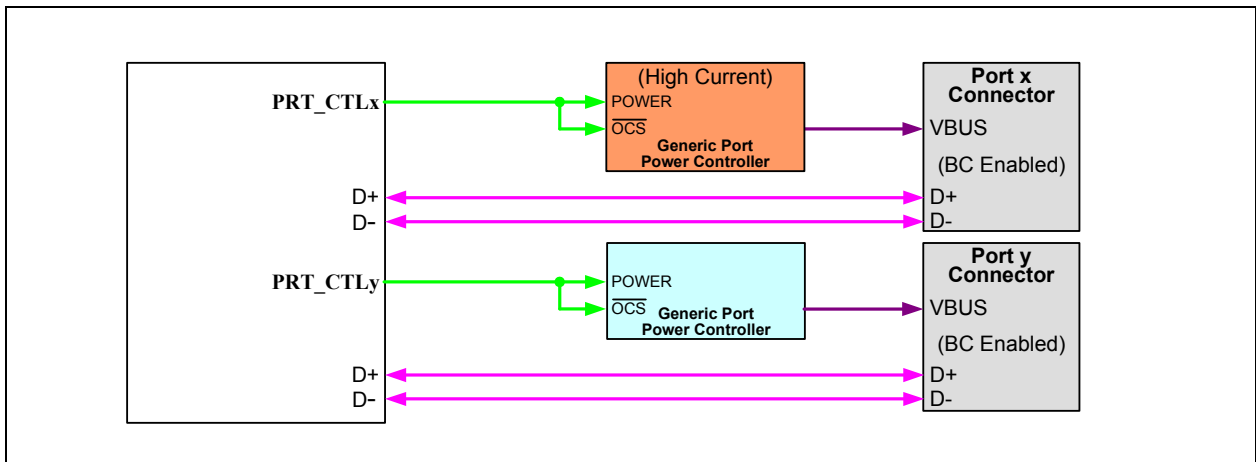
Many customers use a single poly fuse to power all their devices. For the ganged situation, all power control pins must be tied together.

FIGURE 8-8: PORT POWER CONTROL WITH GANGED CONTROL WITH POLY FUSE



8.7.3 PORT CONTROLLER CONNECTION EXAMPLE

FIGURE 8-9: GENERIC PORT POWER CONTROLLERS



Note: The **CFG_BC_EN** configuration strap must be properly configured to enable battery charging on the appropriate ports. For more information on the **CFG_BC_EN** configuration strap, refer to [Section 3.5.4, Battery Charging Configuration \(CFG_BC_EN\)](#).

USB5806

8.8 Port Split

8.8.1 FEATURE OVERVIEW

This feature allows the USB 2.0 and USB 3.1 Gen 1 PHYs associated with any downstream port to be operationally separated. The intention of this feature is to allow a system designer to connect an embedded USB 3.x device to the USB 3.1 Gen 1 PHY, while allowing the USB 2.0 PHY to be used as either a standard USB 2.0 port or with a separate embedded USB 2.0 device.

This feature operates outside of the provisions of the USB specifications. Operation is intended for specialized applications only. Contact your local sales representative for additional information.

In order to maintain a positive end user experience, it is recommended that only permanently attached, embedded USB 3.x devices be connected to the USB 3.1 Gen 1 PHY when enabling the Port Split feature. This prevents end users from attempting to connect USB High-Speed, Full-Speed, or Low-Speed devices to an exposed USB port which only has USB 3.1 Gen 1 connections.

FIGURE 8-10: RECOMMENDED PORT SPLITTING CONFIGURATIONS



8.8.2 PORT SPLITTING CONFIGURATION

Downstream ports 5 and 6 may be configured for Port Splitting. Port Splitting is configured via register configuration through SMBus during the hub configuration stage (SOC_CFG) or via the hub's internal OTP memory.

When Port Splitting is enabled, the existing PRT_CTLx pin associated with that port will continue to control the USB 2.0 portion of the port in an identical matter. A new pin function assigned to a GPIOx pin will be activated and configured to control the USB 3.1 Gen 1 portion of the port. This new pin is named P RTPWRx_USB3_SPLIT where x indicates the respective port. Note that overcurrent detection is not supported on the P RTPWRx_USB3_SPLIT pin. These new pins are assigned as shown in [Table 8-5](#).

TABLE 8-5: PORT SPLIT PRTPWRX_USB3_SPLIT PIN ASSIGNMENT

GPIOx Pin	Port Split Assignment
GPIO66	PRTPWR5_USB3_SPLIT Option A
GPIO6	PRTPWR6_USB3_SPLIT Option A
GPIO5	PRTPWR5_USB3_SPLIT Option B
GPIO4	PRTPWR6_USB3_SPLIT Option B

8.8.2.1 Enabling Port Splitting

In order to enable the Port Splitting feature on downstream ports 5 and/or6, the following configuration settings must be made.

Enabling Port Splitting on Port 5:

- Write 0x42 to register 0x416E to select **GPIO66 for Option A**
- Write 0x05 to register 0x416E to select **GPIO5 for Option B**
- Set bit 5 of the **USB3_PORT_SPLIT_EN** (0x3C48 = 0x20)

Enabling Port Splitting on Port 6:

- Write 0x06 to register 0x416F to select **GPIO6 for Option A**
- Write 0x04 to register 0x416F to select **GPIO4 for Option B**
- Set bit 6 of the **USB3_PORT_SPLIT_EN** (0x3C48 = 0x40)

TABLE 8-6: USB 3.0 PORT SPLIT ENABLE REGISTER

USB3_PORT_SPLIT_EN (0x3C48 - RESET = 0x00)			USB 3.0 Port Split Enable
BIT	Name	R/W	Description
7:1	PORT_SPLIT_EN[7:1]	R/W	<p>0 = Port Splitting on the specified port is disabled 1 = Port Splitting on the specified port is enabled</p> <p>Bit [1] - Reserved [2] - Reserved [3] - Reserved [4] - Reserved [5] - Port 5 [6] - Port 6 [7] - Reserved</p>
0	Reserved	R	Reserved

8.8.2.2 Link Timeout Reset

Port Splitting is intended for use with embedded USB 3.x devices only. When Port Splitting is enabled, the hub constantly monitors the USB 3.1 Gen 1 Link to see if a valid USB 3.1 Gen 1 Link is established. If there is no valid USB 3.1 Gen 1 Link for a configured amount of time (see below), then the hub will toggle assertion of the associated “**PRTPWRx_USB3_SPLIT**” pin in an attempt to reset the embedded USB 3.1 Gen 1 device and re-establish the USB 3.1 Gen 1 Link. The timer is always reset and restarted whenever the timeout occurs.

USB5806

A valid USB 3.1 Gen 1 link is qualified by the LTSSM_STATE register status for the port. A normal Link will actively switch through many Link states.

If the hub detects that the Link is staying in one of the following Link states the entire duration of the timeout timer, then the Link is stuck in an invalid state and **PRTPWRx_USB3_SPLIT** will be toggled in order to attempt to re-establish the Link.

- SIS.Disabled(0x4)
- Rx.Detect(0x5)
- SS.Inactive(0x6)
- Polling(0x7)
- Recovery(0x8)
- HotReset (0x9)

The Link Timeout Reset value is configured via register 0x4171 and can be overridden by OTP. The default value is 0x05, which selects a Timeout value of 1 second. Setting the register to 0x00 will disable the Link Timeout Reset feature.

The duration of the Link reset (time which **PRTPWRx_USB3_SPLIT** signal stays low) can be configured in register 0x4176. The default duration is 400ms with a configurable range of 350ms to 2.9s.

8.9 USB Billboard Device Class Support

TABLE 8-7: USB 3.X PORT SPLIT LINK TIMEOUT REGISTER

USB3_PORT_SPLIT_TIMEOUT (0X4171 - RESET=0X05)			USB 3.X PORT SPLIT LINK TIMEOUT REGISTER
BIT	NAME	R/W	DESCRIPTION
[7:3]	Reserved	R/W	Always read '0'
[2:0]	PORT_SPLIT_TIMEOUT[2:0]	R/W	<p>Global USB Port Splitting Link Timeout Value</p> <p>If Port Splitting is enabled on a port and there is no valid USB 3.x Link for the configured amount of time, then the associated "PRTPWRx_USB3_SPLIT" pin will be toggled in an attempt to reset the embedded USB 3.x device and re-establish the USB 3.x Link. The timer is always reset and restarted whenever the timeout occurs.</p> <p>000b - No Timeout, never toggle PRTPWRx_USB3_SPLIT 001b - 100ms 010b - 250ms 011b - 500ms 100b - 750ms 101b - 1 second 110b - 2 second 111b - Reserved</p>

TABLE 8-8: USB 3.X PORT SPLIT TOGGLE TIME REGISTER

USB3_PORT_SPLIT_TOGGLE_TIME (0X4176 - RESET=0X05)			USB 3.X PORT SPLIT TOGGLE TIME REGISTER
BIT	NAME	R/W	DESCRIPTION
[7:0]	PORT_SPLIT_TOGGLE_TIME[7:0]	R/W	<p>The PORT_SPLIT_TOGGLE_TIME is used to control the length of time port power is toggled off. This is specific to the "PRTPWRx USB3_SPLIT" pin, and is only used in conjunction with 0X4171. The timer is always reset whenever the toggle completes.</p> <p>The minimum toggle time is 350ms and is represented by 00000000b.</p> <p>Each incremental value will add 10ms to the 350ms minimum value.</p>

USB Billboard is supported by the USB5806 in conjunction with an external USB Power Delivery capable controller that supports the USB PD stack and alternate mode negotiation.

When a USB Type-C enabled product supports alternate modes for enhanced capability beyond what is available through USB connectivity alone, that product must support a USB Billboard endpoint so that a user will be notified by an operating system when the enhanced capability is not enabled due to an alternate mode mismatch.

A good example of alternate mode functionality is support for a DisplayPort monitor that many docking stations provide. In this case, the docking station offers DisplayPort (DP) capability over the USB-C connector as an alternate mode. The DP monitor will only function correctly when a successful alternate mode negotiation occurs between the docking station and the notebook PC (this is the USB-C to USB-C connection). In order for the alternate mode negotiation to succeed, the Notebook and the Docking Station must both support DP over USB-C, and have the DP messaging capability enabled to support alternate mode negotiation. If the alternate mode negotiation is successful, then the notebook and the Docking Station both change their multiplexers to enable DP signaling over USB Type-C. In this case, no USB Billboard messages need to be displayed.

If the above example instead uses a notebook that doesn't support DP over USB-C, then the alternate mode negotiation will fail. The docking station will not have a way to enable the DP monitor capability, reducing functionality for the customer. For this is the reason, USB Billboard capability is mandated. In this case, a USB Billboard device class endpoint must appear on a hub port within the Docking Station, and it must provide text and or a web site link which will provide information to the user regarding the corrective steps required to use the feature.

In the case of the USB5806, all of the above mentioned negotiation capability will occur outside of the USB5806 via an external USB Power Delivery capable device that contains a full USB PD stack and can communicate via USB PD messaging. In an alternate mode failure case, the USB5806 will provide that message by allowing the USB host to enumerate an internal USB Billboard Device Class just after the failure in response to a signal from the external USB PD controller. The Billboard Device descriptors will contain the failure message to the USB Host. The message itself will be prerecorded in the device's OTP memory.

8.9.1 BILLBOARD ENABLE IN OTP AND GPIOx PIN USE

Any of the GPIOx pins may be selected to use as the BILLBOARD_EN input. By default, GPIO68 is selected when the Billboard feature is enabled.

The BILLBOARD_EN input signal is active low. When the pin is driven low by a Power Delivery controller to indicate an alternate mode negotiation failure, the Billboard functionality will activate.

USB5806

TABLE 8-9: USB BILLBOARD CONTROL

USBBILLBOARDCTL (OTP ADDR4 - RESET=0X14)			USB BILLBOARD CONTROL
BIT	NAME	R/W	DESCRIPTION
[7:6]	Reserved	R/W	Always read '0'
[5:1]	BILLBOARD_EN Pin Select	R/W	00000= GPIO64 00001= GPIO1 00010= GPIO2 00011= GPIO3 00100= GPIO65 00101= GPIO66 00110= GPIO67 00111= GPIO23 01000= GPIO10 01001= Reserved 01010= GPIO68 (default) 01011= GPIO6 01100= GPIO69 01101= GPIO70 01110= GPIO71 01111= GPIO5 10000= GPIO4
[0]	Billboard Support Enable	R/W	0 = Billboard support disabled 1 = Billboard support enabled

8.9.2 BILLBOARD ENDPOINT FUNCTIONALITY

When the applicable GPIOx pin is 0, which indicates that Billboard device must be displayed, the following sequence of events will occur:

1. USB5806 will force the Hub Feature Controller internal device to disconnect from the USB Hub port (emulating a physical detach)
2. USB5806 will force the Hub Feature Controller to re-connect with descriptors that will show the Hub Feature Controller endpoint is a Billboard device, compliant to version 1.1 of the Billboard device class specification.
3. USB5806 will start a timer (Timer A) when the Host sets the Hub Feature Controller USB address. This timer will be used to ensure that the Billboard endpoint will not remain permanently attached if it is never accessed. The default Timer A timeout is 20 seconds.
4. This implementation will only support Billboard when a failure occurs, therefore the Device Container uses a static list of device capabilities and will only expose the Billboard Device on failure to enter into Modal Operation and will set the **bmConfigured** descriptor field to "Unspecified Error" (00b) by default.
5. The Hub Feature Controller will Provide the *iAlternateModeString* when the host requests it, and will start a timer (Timer B). The default Timer B timeout is 20 seconds.
6. When either timer expires, the USB5806 will force the Hub Feature Controller internal device to disconnect from the USB Hub port (emulating a physical detach).
7. USB5806 will force the Hub Feature Controller to re-connect with the standard Hub Feature Controller Functionality.

TABLE 8-10: TIMER A: BILLBOARD DETACH TIMER LSB

DETACH_TIMER_A_LSB (413Ch)			Billboard Detach Timer A LSB
BIT	Name	R/W	Description
7:0	TIMEOUT	R/W	<p>Timer A is started as soon as the Hub Feature Controller's Billboard Class Device address is set by the host. Once the timer expires, the Billboard Class Device will automatically detach from the host and re-attach as the default WinUSB device.</p> <p>Increments of 10ms can be set.</p> <p>The default value of 413Ch = D0h, 413Dh = 07h is equivalent to a 20s timeout. (07D0h = 2000d)</p>

TABLE 8-11: TIMER A: BILLBOARD DETACH TIMER MSB

DETACH_TIMER_A_MSB (413Dh)			Billboard Detach Timer A MSB
BIT	Name	R/W	Description
7:0	TIMEOUT	R/W	<p>Timer A is started as soon as the Hub Feature Controller's Billboard Class Device address is set by the host. Once the timer expires, the Billboard Class Device will automatically detach from the host and re-attach as the default WinUSB device.</p> <p>Increments of 10ms can be set.</p> <p>Note: The default value of 413Ch = D0h, 413Dh = 07h is equivalent to a 20s timeout. (07D0h = 2000d)</p>

TABLE 8-12: TIMER B: BILLBOARD DETACH TIMER LSB

DETACH_TIMER_B_LSB (413Eh)			Billboard Detach Timer B LSB
BIT	Name	R/W	Description
7:0	TIMEOUT	R/W	<p>Timer B is started as soon as the host requests iAlternateModeString. Once the timer expires, the Billboard Class Device will automatically detach from the host and re-attach as the default WinUSB device.</p> <p>Increments of 10ms can be set.</p> <p>The default value of 413Ch = D0h, 413Dh = 07h is equivalent to a 20s timeout. (07D0h = 2000d)</p>

TABLE 8-13: TIMER B: BILLBOARD DETACH TIMER MSB

DETACH_TIMER_B_MSB (413Fh)			Billboard Detach Timer A MSB
BIT	Name	R/W	Description
7:0	TIMEOUT	R/W	<p>Timer B is started as soon as the host requests <i>iAlternateModeString</i>. Once the timer expires, the Billboard Class Device will automatically detach from the host and re-attach as the default WinUSB device.</p> <p>Increments of 10ms can be set.</p> <p>Note: The default value of 413Ch = D0h, 413Dh = 07h is equivalent to a 20s timeout. (07D0h = 2000d)</p>

8.9.3 BILLBOARD DEVICE DESCRIPTORS

The *AlternateModeString* and *iAdditionalInfoURL* descriptors can be configured in the hub to provide the user with additional information about the Alternate Mode failure.

TABLE 8-14: BILLBOARD DEVICE DESCRIPTORS

Offset: 0	Offset: +1	Offset: +2	Offset: +3
			<i>iAdditionalInfoURL</i> Default = 01h
<i>bNumberOfAlternateModes</i> Default = 01h	<i>bPreferredAlternateMode</i> Default = 00h	<i>VCONN Power[0]</i> Default = 00h	<i>VCONN Power[1]</i> Default = 80h
<i>bmConfigured[0]</i> Default = 00h	<i>bmConfigured[1]</i> Default = 00h	<i>bmConfigured[2]</i> Default = 00h	<i>bmConfigured[3]</i> Default = 00h
<i>bmConfigured[4]</i> Default = 00h	<i>bmConfigured[5]</i> Default = 00h	<i>bmConfigured[6]</i> Default = 00h	<i>bmConfigured[7]</i> Default = 00h
<i>bmConfigured[8]</i> Default = 00h	<i>bmConfigured[9]</i> Default = 00h	<i>bmConfigured[10]</i> Default = 00h	<i>bmConfigured[11]</i> Default = 00h
<i>bmConfigured[12]</i> Default = 00h	<i>bmConfigured[13]</i> Default = 00h	<i>bmConfigured[14]</i> Default = 00h	<i>bmConfigured[15]</i> Default = 00h
<i>bmConfigured[16]</i> Default = 00h	<i>bmConfigured[17]</i> Default = 00h	<i>bmConfigured[18]</i> Default = 00h	<i>bmConfigured[19]</i> Default = 00h
<i>bmConfigured[20]</i> Default = 00h	<i>bmConfigured[21]</i> Default = 00h	<i>bmConfigured[22]</i> Default = 00h	<i>bmConfigured[23]</i> Default = 00h
<i>bmConfigured[24]</i> Default = 00h	<i>bmConfigured[25]</i> Default = 00h	<i>bmConfigured[26]</i> Default = 00h	<i>bmConfigured[27]</i> Default = 00h

TABLE 8-14: BILLBOARD DEVICE DESCRIPTORS (CONTINUED)

Offset: 0	Offset: +1	Offset: +2	Offset: +3
<i>bmConfigured[28]</i> Default = 00h	<i>bmConfigured[29]</i> Default = 00h	<i>bmConfigured[30]</i> Default = 00h	<i>bmConfigured[31]</i> Default = 00h
<i>bcdVersion[0]</i> Default = 10h	<i>bcdVersion[1]</i> Default = 01h	<i>bAdditonalFailureInfo</i> Default = 00h	<i>bReserved</i> Default = 00h
<i>wSVID[0]</i> Default = 00h	<i>wSVID[1]</i> Default = FFh	<i>bAlternateMode</i> Default = 00h	

USB5806

9.0 OPERATIONAL CHARACTERISTICS

9.1 Absolute Maximum Ratings*

+1.2 V Supply Voltage (VDD12) (Note 1)	-0.5 V to +1.32 V
+3.3 V Supply Voltage (VDD33) (Note 1)	-0.5 V to +4.6 V
Positive voltage on input signal pins, with respect to ground (Note 2)	+4.6 V
Negative voltage on input signal pins, with respect to ground	-0.5 V
Positive voltage on XTALI/CLKIN, with respect to ground	+3.63 V
Positive voltage on USB DP/DM signal pins, with respect to ground	+6.0 V
Positive voltage on USB 3.1 Gen 1 USB3UP_XXXX and USB3DN_XXXX signal pins, with respect to ground	1.32 V
Storage Temperature	-55°C to +150°C
Junction Temperature	+125°C
Lead Temperature Range	Refer to JEDEC Spec. J-STD-020
HBM ESD Performance	3 kV

Note 1: When powering this device from laboratory or system power supplies, it is important that the absolute maximum ratings not be exceeded or device failure can result. Some power supplies exhibit voltage spikes on their outputs when AC power is switched on or off. In addition, voltage transients on the AC power line may appear on the DC output. If this possibility exists, it is suggested to use a clamp circuit.

Note 2: This rating does not apply to the following pins: All USB DM/DP pins, XTALI/CLKIN, and XTALO

*Stresses exceeding those listed in this section could cause permanent damage to the device. This is a stress rating only. Exposure to absolute maximum rating conditions for extended periods may affect device reliability. Functional operation of the device at any condition exceeding those indicated in [Section 9.2, Operating Conditions**](#), [Section 9.5, DC Specifications](#), or any other applicable section of this specification is not implied.

9.2 Operating Conditions**

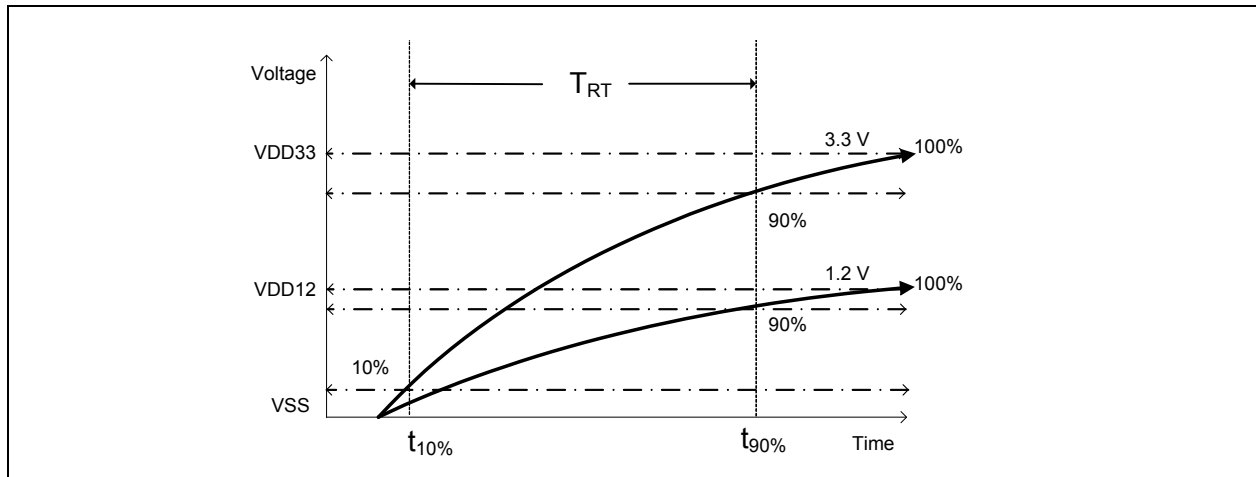
+1.2 V Supply Voltage (VDD12)	+1.08 V to +1.32 V
+3.3 V Supply Voltage (VDD33)	+3.0 V to +3.6 V
Input Signal Pins Voltage (Note 2)	-0.3 V to +3.6 V
XTALI/CLKIN Voltage	-0.3 V to +3.6 V
USB 2.0 DP/DM Signal Pins Voltage	-0.3 V to +5.5 V
USB 3.1 Gen 1 USB3UP_XXXX and USB3DN_XXXX Signal Pins Voltage	-0.3 V to +1.32 V
Ambient Operating Temperature in Still Air (T _A)	Note 3
+1.2 V Supply Voltage Rise Time (T _{RT} in Figure 9-1)	400 μs
+3.3 V Supply Voltage Rise Time (T _{RT} in Figure 9-1)	400 μs

Note 3: 0°C to +70°C for commercial version, -40°C to +85°C for industrial version.

**Proper operation of the device is guaranteed only within the ranges specified in this section.

Note: Do not drive input signals without power supplied to the device.

FIGURE 9-1: SUPPLY RISE TIME MODEL



Note: The rise time for the 3.3 V supply can be extended to 100ms max if **RESET_N** is actively driven low, typically by another IC, until 1 μ s after all supplies are within operating range.

9.3 Package Thermal Specifications

TABLE 9-1: PACKAGE THERMAL PARAMETERS

Symbol	$^{\circ}\text{C/W}$	Velocity (Meters/s)
Θ_{JA}	19	0
	16	1
Ψ_{JT}	0.1	0
	0.1	1
Θ_{JC}	1.4	0
	1.4	1

Note: Thermal parameters are measured or estimated for devices in a multi-layer 2S2P PCB per JESD51. the USB5806 requires a multi-layer 2S4P PCB power dissipation.

TABLE 9-2: MAXIMUM POWER DISSIPATION

Parameter	Value	Units
PD(max)	2.15	W

USB5806

9.4 Power Consumption

The values shown below represent typical power consumption as measured during various modes of operation. Power dissipation is determined by temperature, supply voltage, and external source/sink requirements.

The following measurements were taken with **VDD33** equal to 3.3V, **VDD12** equal to 1.2V, at an ambient temperature of 25°C.

Note: A USB 3.x hub operates both the USB 3.x and USB 2.0 interfaces in parallel on it's upstream port connection. A port operating under the SS/HS condition indicates that a USB 3.x hub was connected to it.

TABLE 9-3: DEVICE POWER CONSUMPTION

	Typical (mA)		Typical Power (mW)
	VDD33	VDD12	
Reset	0.5	27.5	28
No VBUS	0.7	21.5	28
Global Suspend	7.5	24.5	32
6 FS Ports	41	245.6	430
6 HS Ports	95	257	622
6 SS Ports	77	899	1333
6 SS/HS Ports	137	911	1545

Note: Actual power consumption will vary depending on the capabilities of the USB host, the devices connected, data type, and data bus utilization. The published data represents typical power consumption of the hub at nominal ambient temperature and supply voltage while large file transfers are active between USB host and USB Mass Storage class devices on all downstream ports.

Typical power consumption for specific use cases can be estimated using the formulas below:

$$I_{VDD33}(mA) = 35 + (N_{PORTSFS})(1)^* + (N_{PORTSHS})(10) + (N_{PORTSSS})(7)$$

$$I_{VDD12}(mA) = 245 + (N_{PORTSFS})(0.1)^* + (N_{PORTSHS})(2) + (N_{PORTSSS})(109)$$

$$P_{TOTAL}(mW) = 409.5 + (N_{PORTSFS})(3.42)^* + (N_{PORTSHS})(35.4) + (N_{PORTSSS})(153.9)$$

9.5 DC Specifications

TABLE 9-4: I/O DC ELECTRICAL CHARACTERISTICS

Parameter	Symbol	Min	Typical	Max	Units	Notes
I Type Input Buffer						
Low Input Level	V _{IL}			0.9	V	
High Input Level	V _{IH}	2.1			V	
IS Type Input Buffer						
Low Input Level	V _{IL}			0.9	V	
High Input Level	V _{IH}	1.9			V	
Schmitt Trigger Hysteresis (V _{IHT} - V _{ILT})	V _{HYS}	9	20	40	mV	
O6 Type Output Buffer						
Low Output Level	V _{OL}			0.4	V	I _{OL} = 6 mA
High Output Level	V _{OH}	VDD33-0.4			V	I _{OH} = -6 mA

TABLE 9-4: I/O DC ELECTRICAL CHARACTERISTICS (CONTINUED)

Parameter	Symbol	Min	Typical	Max	Units	Notes
O12 Type Output Buffer						
Low Output Level	V_{OL}			0.4	V	$I_{OL} = 12\text{ mA}$
High Output Level	V_{OH}	VDD33-0.4			V	$I_{OH} = -12\text{ mA}$
OD12 Type Output Buffer						
Low Output Level	V_{OL}			0.4	V	$I_{OL} = 12\text{ mA}$
ICLK Type Input Buffer (XTALI Input)						
Low Input Level	V_{IL}			0.50	V	Note 4
High Input Level	V_{IH}	0.85		VDD33	V	
IO-U Type Buffer (See Note 5)						
						Note 5

Note 4: XTALI can optionally be driven from a 25 MHz singled-ended clock oscillator.

Note 5: Refer to the USB 3.1 Gen 1 Specification for USB DC electrical characteristics.

9.6 AC Specifications

This section details the various AC timing specifications of the device.

9.6.1 POWER SUPPLY AND RESET_N SEQUENCE TIMING

[Figure 9-2](#) illustrates the recommended power supply sequencing and timing for the device. VDD33 should rise after or at the same rate as VDD12. Similarly, RESET_N and/or VBUS_DET should rise after or at the same rate as VDD33. VBUS_DET and RESET_N do not have any other timing dependencies.

FIGURE 9-2: POWER SUPPLY AND RESET_N SEQUENCE TIMING

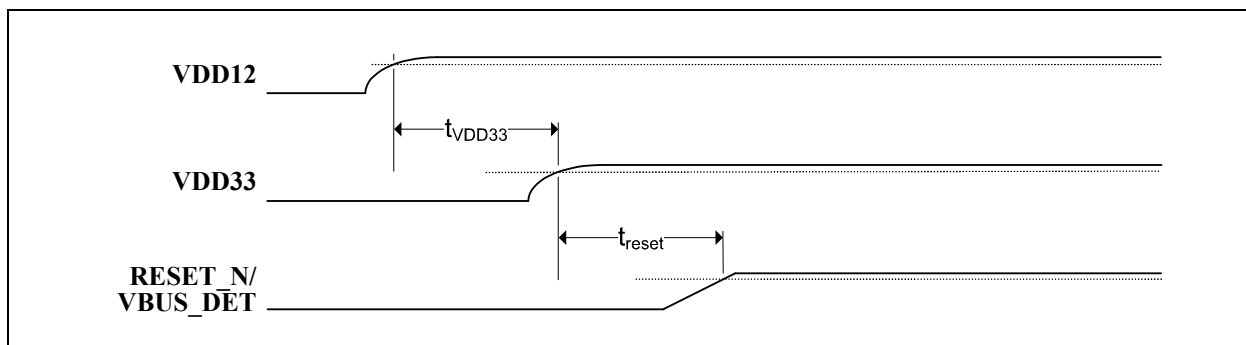


TABLE 9-5: POWER SUPPLY AND RESET_N SEQUENCE TIMING

Symbol	Description	Min	Typ	Max	Units
t_{VDD33}	VDD12 to VDD33 rise time	0			ms
t_{reset}	VDD33 to RESET_N/VBUS_DET rise time	0			ms

USB5806

9.6.2 POWER-ON AND CONFIGURATION STRAP TIMING

Figure 9-3 illustrates the configuration strap valid timing requirements in relation to power-on, for applications where **RESET_N** is not used at power-on. In order for valid configuration strap values to be read at power-on, the following timing requirements must be met. The operational levels (V_{opp}) for the external power supplies are detailed in Section 9.2, [Operating Conditions](#)**.

FIGURE 9-3: POWER-ON CONFIGURATION STRAP VALID TIMING



TABLE 9-6: POWER-ON CONFIGURATION STRAP LATCHING TIMING

Symbol	Description	Min	Typ	Max	Units
t_{csh}	Configuration strap hold after external power supplies at operational levels	1			ms

Device configuration straps are also latched as a result of **RESET_N** assertion. Refer to Section 9.6.3, [Reset and Configuration Strap Timing](#) for additional details.

9.6.3 RESET AND CONFIGURATION STRAP TIMING

Figure 9-4 illustrates the **RESET_N** pin timing requirements and its relation to the configuration strap pins. Assertion of **RESET_N** is not a requirement. However, if used, it must be asserted for the minimum period specified. Refer to Section 8.4, [Resets](#) for additional information on resets. Refer to Section 3.5, [Configuration Straps and Programmable Functions](#) for additional information on configuration straps.

FIGURE 9-4: RESET_N CONFIGURATION STRAP TIMING



TABLE 9-7: RESET_N CONFIGURATION STRAP TIMING

Symbol	Description	Min	Typ	Max	Units
t_{rstia}	RESET_N input assertion time	5			μ s
t_{csh}	Configuration strap pins hold after RESET_N deassertion	1			ms

Note: The clock input must be stable prior to **RESET_N** deassertion.

Configuration strap latching and output drive timings shown assume that the Power-On reset has finished first otherwise the timings in Section 9.6.2, [Power-On and Configuration Strap Timing](#) apply.

9.6.4 USB TIMING

All device USB signals confirm to the voltage, power, and timing characteristics/specifications as set forth in the *Universal Serial Bus Specification*. Please refer to the *Universal Serial Bus Revision 3.1 Specification*, available at <http://www.usb.org/developers/docs>.

9.6.5 I²C TIMING

All device I²C signals confirm to the 100KHz Standard Mode (Sm) voltage, power, and timing characteristics/specifications as set forth in the *I²C-Bus Specification*. Please refer to the *I²C-Bus Specification*, available at http://www.nxp.com/documents/user_manual/UM10204.pdf.

9.6.6 SMBUS TIMING

All device SMBus signals confirm to the voltage, power, and timing characteristics/specifications as set forth in the *System Management Bus Specification*. Please refer to the *System Management Bus Specification*, Version 1.0, available at <http://smbus.org/specs>.

9.6.7 SPI TIMING

This section specifies the SPI timing requirements for the device.

FIGURE 9-5: SPI TIMING

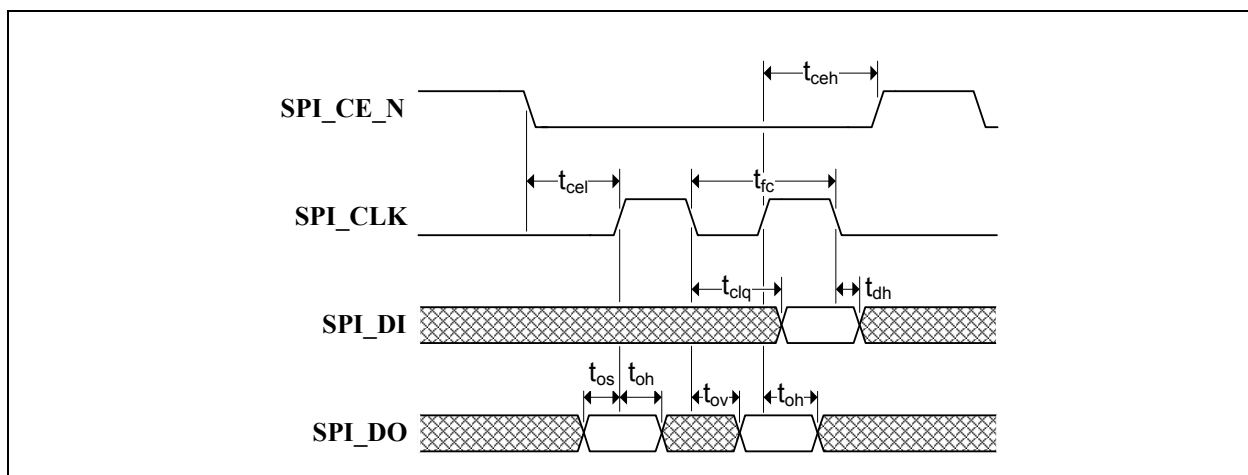


TABLE 9-8: SPI TIMING (30 MHZ OPERATION)

Symbol	Description	Min	Typ	Max	Units
t_{fc}	Clock frequency			30	MHz
t_{ceh}	Chip enable (SPI_CE_EN) high time	100			ns
t_{clq}	Clock to input data			13	ns
t_{dh}	Input data hold time	0			ns
t_{os}	Output setup time	5			ns
t_{oh}	Output hold time	5			ns
t_{ov}	Clock to output valid	4			ns
t_{cel}	Chip enable (SPI_CE_EN) low to first clock	12			ns
t_{ceh}	Last clock to chip enable (SPI_CE_EN) high	12			ns

TABLE 9-9: SPI TIMING (60 MHZ OPERATION)

Symbol	Description	Min	Typ	Max	Units
t_{fc}	Clock frequency			60	MHz

USB5806

TABLE 9-9: SPI TIMING (60 MHZ OPERATION)

Symbol	Description	Min	Typ	Max	Units
t_{ceh}	Chip enable (SPI_CE_EN) high time	50			ns
t_{clq}	Clock to input data			9	ns
t_{dh}	Input data hold time	0			ns
t_{os}	Output setup time	5			ns
t_{oh}	Output hold time	5			ns
t_{ov}	Clock to output valid	4			ns
t_{cel}	Chip enable (SPI_CE_EN) low to first clock	12			ns
t_{ceh}	Last clock to chip enable (SPI_CE_EN) high	12			ns

9.7 Clock Specifications

The device can accept either a 25MHz crystal or a 25MHz single-ended clock oscillator (± 50 ppm) input. If the single-ended clock oscillator method is implemented, XTALO should be left unconnected and XTALI/CLKIN should be driven with a nominal 0-3.3V clock signal. The input clock duty cycle is 40% minimum, 50% typical and 60% maximum.

It is recommended that a crystal utilizing matching parallel load capacitors be used for the crystal input/output signals (XTALI/XTALO). The following circuit design (Figure 9-6) and specifications (Table 9-10) are required to ensure proper operation.

FIGURE 9-6: 25MHZ CRYSTAL CIRCUIT



9.7.1 CRYSTAL SPECIFICATIONS

It is recommended that a crystal utilizing matching parallel load capacitors be used for the crystal input/output signals (XTALI/XTALO). Refer to Table 9-10 for the recommended crystal specifications.

TABLE 9-10: CRYSTAL SPECIFICATIONS

PARAMETER	SYMBOL	MIN	NOM	MAX	UNITS	NOTES
Crystal Cut		AT, typ				
Crystal Oscillation Mode		Fundamental Mode				
Crystal Calibration Mode		Parallel Resonant Mode				
Frequency	F_{fund}	-	25.000	-	MHz	
Frequency Tolerance @ 25°C	F_{tol}	-	-	± 50	PPM	
Frequency Stability Over Temp	F_{temp}	-	-	± 50	PPM	
Frequency Deviation Over Time	F_{age}	-	± 3 to 5	-	PPM	Note 6
Total Allowable PPM Budget		-	-	± 100	PPM	Note 7
Shunt Capacitance	C_O	-	7 typ	-	pF	

TABLE 9-10: CRYSTAL SPECIFICATIONS (CONTINUED)

PARAMETER	SYMBOL	MIN	NOM	MAX	UNITS	NOTES
Load Capacitance	C_L	-	20 typ	-	pF	
Drive Level	P_W	100	-	-	uW	
Equivalent Series Resistance	R_1	-	-	60	Ω	
Operating Temperature Range		Note 7	-	Note 8	$^{\circ}\text{C}$	
XTALI/CLKIN Pin Capacitance		-	3 typ	-	pF	Note 9
XTALO Pin Capacitance		-	3 typ	-	pF	Note 9

Note 6: Frequency Deviation Over Time is also referred to as Aging.

Note 7: 0 $^{\circ}\text{C}$ for commercial version, -40 $^{\circ}\text{C}$ for industrial version.

Note 8: +70 $^{\circ}\text{C}$ for commercial version, +85 $^{\circ}\text{C}$ for industrial version.

Note 9: This number includes the pad, the bond wire and the lead frame. PCB capacitance is not included in this value. The XTALI/CLKIN pin, XTALO pin and PCB capacitance values are required to accurately calculate the value of the two external load capacitors. These two external load capacitors determine the accuracy of the 25.000 MHz frequency.

9.7.2 EXTERNAL REFERENCE CLOCK (CLKIN)

When using an external reference clock, the following input clock specifications are suggested:

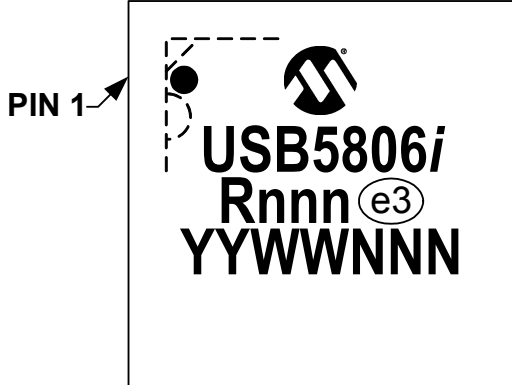
- 25 MHz
- 50% duty cycle $\pm 10\%$, ± 100 ppm
- Jitter < 100 ps RMS

USB5806

10.0 PACKAGE INFORMATION

10.1 Package Marking Information

100-VQFN (12x12 mm)



Legend:

<i>i</i>	Temperature range designator (Blank = commercial, <i>i</i> = industrial)
R	Product revision
nnn	Internal code
e3	Pb-free JEDEC [®] designator for Matte Tin (Sn)
YY	Year code (last two digits of calendar year)
WW	Week code (week of January 1 is week '01')
NNN	Alphanumeric traceability code

Note: In the event the full Microchip part number cannot be marked on one line, it will be carried over to the next line, thus limiting the number of available characters for customer-specific information.

* Standard device marking consists of Microchip part number, year code, week code and traceability code. For device marking beyond this, certain price adders apply. Please check with your Microchip Sales Office. For QTP devices, any special marking adders are included in QTP price.

10.2 Package Drawings

Note: For the most current package drawings, see the Microchip Packaging Specification at: <http://www.microchip.com/packaging>.

FIGURE 10-1: 100-VQFN PACKAGE (DRAWING)



FIGURE 10-2: 100-VQFN PACKAGE (DIMENSIONS)



	Units	MILLIMETERS		
		MIN	NOM	MAX
Dimension Limits				
Number of Terminals	N	100		
Pitch	e	0.40 BSC		
Overall Height	A	0.80	0.85	0.90
Standoff	A1	0.00	0.02	0.05
Terminal Thickness	A3	0.203 REF		
Overall Length	D	12.00 BSC		
Exposed Pad Length	D2	7.90	8.00	8.10
Overall Width	E	12.00 BSC		
Exposed Pad Width	E2	7.90	8.00	8.10
Terminal Width	b	0.15	0.20	0.25
Terminal Length	L	0.50	0.60	0.70
Terminal-to-Exposed-Pad	K	1.30	-	-

Notes:

1. Pin 1 visual index feature may vary, but must be located within the hatched area.
2. Package is saw singulated
3. Dimensioning and tolerancing per ASME Y14.5M
 - BSC: Basic Dimension. Theoretically exact value shown without tolerances.
 - REF: Reference Dimension, usually without tolerance, for information purposes only.

Microchip Technology Drawing C04-407 Rev B Sheet 2 of 2

FIGURE 10-3: 100-VQFN PACKAGE (LAND PATTERN)



RECOMMENDED LAND PATTERN

Dimension Limits	Units	MILLIMETERS		
		MIN	NOM	MAX
Contact Pitch	E	0.40 BSC		
Optional Center Pad Width	X2			8.10
Optional Center Pad Length	Y2			8.10
Contact Pad Spacing	C1		11.70	
Contact Pad Spacing	C2		11.70	
Contact Pad Width (X100)	X1			0.20
Contact Pad Length (X100)	Y1			1.05
Contact Pad to Center Pad (X100)	G1	0.20		
Thermal Via Diameter	V		0.33	
Thermal Via Pitch	EV		1.20	

Notes:

1. Dimensioning and tolerancing per ASME Y14.5M
BSC: Basic Dimension. Theoretically exact value shown without tolerances.
2. For best soldering results, thermal vias, if used, should be filled or tented to avoid solder loss during reflow process

Microchip Technology Drawing C04-2407A

APPENDIX A: REVISION HISTORY

TABLE A-1: REVISION HISTORY

Revision Level & Date	Section/Figure/Entry	Correction
DS00002236D (05-21-18)	Table 3-6	Added pull-down (PD) to buffer type of C_AT-TACH[0:3] pins.
	Section 8.8.2.1, Enabling Port Splitting	Updated section and added USB3_PORT_SPLIT_EN register information.
DS00002236C (08-18-17)	Figure 10-1, Figure 10-2, Figure 10-3	Updated package drawings.
	Section 3.2, Pin Symbols, Figure 3-1, Table 3-4	Removed references to PRT_CTL0 pin.
	Table 9-10	Updated max equivalent series resistance to 60Ω.
	Table 9-3	Updated values.
DS00002236B (01-20-17)	Figure 4-2, SPI ROM Connections	Modified drawing by changing position of DO to DI and DI to DO
	Table 9-3, Device Power Consumption	Typical power consumption formula added below table.
	Section 8.8.2.1, Enabling Port Splitting	Options A and B added.
	Throughout data sheet	Changed 62kOhm to 50kOhm
	Table 3-1, Pin Reset State Legend	In PD-15k, changed “Hardware enables internal 62kOhm pull-down” to “Hardware enables internal 15kOhm pull-down”
DS00002236A (10-03-16)	All	Initial Release

Note the following details of the code protection feature on Microchip devices:

- Microchip products meet the specification contained in their particular Microchip Data Sheet.
- Microchip believes that its family of products is one of the most secure families of its kind on the market today, when used in the intended manner and under normal conditions.
- There are dishonest and possibly illegal methods used to breach the code protection feature. All of these methods, to our knowledge, require using the Microchip products in a manner outside the operating specifications contained in Microchip's Data Sheets. Most likely, the person doing so is engaged in theft of intellectual property.
- Microchip is willing to work with the customer who is concerned about the integrity of their code.
- Neither Microchip nor any other semiconductor manufacturer can guarantee the security of their code. Code protection does not mean that we are guaranteeing the product as “unbreakable.”

Code protection is constantly evolving. We at Microchip are committed to continuously improving the code protection features of our products. Attempts to break Microchip's code protection feature may be a violation of the Digital Millennium Copyright Act. If such acts allow unauthorized access to your software or other copyrighted work, you may have a right to sue for relief under that Act.

Information contained in this publication regarding device applications and the like is provided only for your convenience and may be superseded by updates. It is your responsibility to ensure that your application meets with your specifications. MICROCHIP MAKES NO REPRESENTATIONS OR WARRANTIES OF ANY KIND WHETHER EXPRESS OR IMPLIED, WRITTEN OR ORAL, STATUTORY OR OTHERWISE, RELATED TO THE INFORMATION, INCLUDING BUT NOT LIMITED TO ITS CONDITION, QUALITY, PERFORMANCE, MERCHANTABILITY OR FITNESS FOR PURPOSE. Microchip disclaims all liability arising from this information and its use. Use of Microchip devices in life support and/or safety applications is entirely at the buyer's risk, and the buyer agrees to defend, indemnify and hold harmless Microchip from any and all damages, claims, suits, or expenses resulting from such use. No licenses are conveyed, implicitly or otherwise, under any Microchip intellectual property rights unless otherwise stated.

Trademarks

The Microchip name and logo, the Microchip logo, AnyRate, AVR, AVR logo, AVR Freaks, BeaconThings, BitCloud, CryptoMemory, CryptoRF, dsPIC, FlashFlex, flexPWR, Helder, JukeBlox, KEELOQ, KEELOQ logo, Kleer, LANCheck, LINK MD, maXStylus, maXTouch, MediaLB, megaAVR, MOST, MOST logo, MPLAB, OptoLyzer, PIC, picoPower, PICSTART, PIC32 logo, Prochip Designer, QTouch, RightTouch, SAM-BA, SpyNIC, SST, SST Logo, SuperFlash, tinyAVR, UNI/O, and XMEGA are registered trademarks of Microchip Technology Incorporated in the U.S.A. and other countries.

ClockWorks, The Embedded Control Solutions Company, EtherSynch, Hyper Speed Control, HyperLight Load, IntellIMOS, mTouch, Precision Edge, and Quiet-Wire are registered trademarks of Microchip Technology Incorporated in the U.S.A.

Adjacent Key Suppression, AKS, Analog-for-the-Digital Age, Any Capacitor, AnyIn, AnyOut, BodyCom, chipKIT, chipKIT logo, CodeGuard, CryptoAuthentication, CryptoCompanion, CryptoController, dsPICDEM, dsPICDEM.net, Dynamic Average Matching, DAM, ECAN, EtherGREEN, In-Circuit Serial Programming, ICSP, Inter-Chip Connectivity, JitterBlocker, KleerNet, KleerNet logo, Mindi, MiWi, motorBench, MPASM, MPF, MPLAB Certified logo, MPLIB, MPLINK, MultiTRAK, NetDetach, Omniscient Code Generation, PICDEM, PICDEM.net, PICKit, PICtail, PureSilicon, QMatrix, RightTouch logo, REAL ICE, Ripple Blocker, SAM-ICE, Serial Quad I/O, SMART-I.S., SQI, SuperSwitcher, SuperSwitcher II, Total Endurance, TSHARC, USBCheck, VariSense, ViewSpan, WiperLock, Wireless DNA, and ZENA are trademarks of Microchip Technology Incorporated in the U.S.A. and other countries.

SQTP is a service mark of Microchip Technology Incorporated in the U.S.A.

Silicon Storage Technology is a registered trademark of Microchip Technology Inc. in other countries.

GestIC is a registered trademark of Microchip Technology Germany II GmbH & Co. KG, a subsidiary of Microchip Technology Inc., in other countries.

All other trademarks mentioned herein are property of their respective companies.

© 2016-2018, Microchip Technology Incorporated, All Rights Reserved.

ISBN: 9781522431015

QUALITY MANAGEMENT SYSTEM
CERTIFIED BY DNV
== ISO/TS 16949 ==

Microchip received ISO/TS-16949:2009 certification for its worldwide headquarters, design and wafer fabrication facilities in Chandler and Tempe, Arizona; Gresham, Oregon and design centers in California and India. The Company's quality system processes and procedures are for its PIC® MCUs and dsPIC® DSCs, KEELOQ® code hopping devices, Serial EEPROMs, microperipherals, nonvolatile memory and analog products. In addition, Microchip's quality system for the design and manufacture of development systems is ISO 9001:2000 certified.

USB5806

PRODUCT IDENTIFICATION SYSTEM

To order or obtain information, e.g., on pricing or delivery, refer to the factory or the listed sales office.

<u>PART NO.</u>	<u>[X]⁽¹⁾</u>	<u>[-X]</u>	<u>/XX</u>
Device	Tape and Reel Option	Temperature Range	Package
Device:	USB5806		
Tape and Reel Option:	Blank = Standard packaging (tube or tray) T = Tape and Reel ⁽¹⁾		
Temperature Range:	Blank = 0°C to +70°C (Commercial) I = -40°C to +85°C (Industrial)		
Package:	KD = 100-pin VQFN		

Examples:

- a) USB5806/KD
Tray, Commercial temp., 100-pin VQFN
- b) USB5806-I/KD
Tray, Industrial temp., 100-pin VQFN
- c) USB5806T/KD
Tape & reel, Commercial temp., 100-pin VQFN
- d) USB5806T-I/KD
Tape & reel, Industrial temp., 100-pin VQFN

Note 1: Tape and Reel identifier only appears in the catalog part number description. This identifier is used for ordering purposes and is not printed on the device package. Check with your Microchip Sales Office for package availability with the Tape and Reel option.

THE MICROCHIP WEB SITE

Microchip provides online support via our WWW site at www.microchip.com. This web site is used as a means to make files and information easily available to customers. Accessible by using your favorite Internet browser, the web site contains the following information:

- **Product Support** – Data sheets and errata, application notes and sample programs, design resources, user's guides and hardware support documents, latest software releases and archived software
- **General Technical Support** – Frequently Asked Questions (FAQ), technical support requests, online discussion groups, Microchip consultant program member listing
- **Business of Microchip** – Product selector and ordering guides, latest Microchip press releases, listing of seminars and events, listings of Microchip sales offices, distributors and factory representatives

CUSTOMER CHANGE NOTIFICATION SERVICE

Microchip's customer notification service helps keep customers current on Microchip products. Subscribers will receive e-mail notification whenever there are changes, updates, revisions or errata related to a specified product family or development tool of interest.

To register, access the Microchip web site at www.microchip.com. Under "Support", click on "Customer Change Notification" and follow the registration instructions.

CUSTOMER SUPPORT

Users of Microchip products can receive assistance through several channels:

- Distributor or Representative
- Local Sales Office
- Field Application Engineer (FAE)
- Technical Support

Customers should contact their distributor, representative or Field Application Engineer (FAE) for support. Local sales offices are also available to help customers. A listing of sales offices and locations is included in the back of this document.

Technical support is available through the web site at: <http://microchip.com/support>



Worldwide Sales and Service

AMERICAS

Corporate Office
2355 West Chandler Blvd.
Chandler, AZ 85224-6199
Tel: 480-792-7200
Fax: 480-792-7277
Technical Support:
<http://www.microchip.com/support>
Web Address:
www.microchip.com

Atlanta
Duluth, GA
Tel: 678-957-9614
Fax: 678-957-1455

Austin, TX
Tel: 512-257-3370

Boston
Westborough, MA
Tel: 774-760-0087
Fax: 774-760-0088

Chicago
Itasca, IL
Tel: 630-285-0071
Fax: 630-285-0075

Dallas
Addison, TX
Tel: 972-818-7423
Fax: 972-818-2924

Detroit
Novi, MI
Tel: 248-848-4000

Houston, TX
Tel: 281-894-5983

Indianapolis
Noblesville, IN
Tel: 317-773-8323
Fax: 317-773-5453
Tel: 317-536-2380

Los Angeles
Mission Viejo, CA
Tel: 949-462-9523
Fax: 949-462-9608
Tel: 951-273-7800

Raleigh, NC
Tel: 919-844-7510

New York, NY
Tel: 631-435-6000

San Jose, CA
Tel: 408-735-9110
Tel: 408-436-4270

Canada - Toronto
Tel: 905-695-1980
Fax: 905-695-2078

ASIA/PACIFIC

Australia - Sydney
Tel: 61-2-9868-6733

China - Beijing
Tel: 86-10-8569-7000

China - Chengdu
Tel: 86-28-8665-5511

China - Chongqing
Tel: 86-23-8980-9588

China - Dongguan
Tel: 86-769-8702-9880

China - Guangzhou
Tel: 86-20-8755-8029

China - Hangzhou
Tel: 86-571-8792-8115

China - Hong Kong SAR
Tel: 852-2943-5100

China - Nanjing
Tel: 86-25-8473-2460

China - Qingdao
Tel: 86-532-8502-7355

China - Shanghai
Tel: 86-21-3326-8000

China - Shenyang
Tel: 86-24-2334-2829

China - Shenzhen
Tel: 86-755-8864-2200

China - Suzhou
Tel: 86-186-6233-1526

China - Wuhan
Tel: 86-27-5980-5300

China - Xian
Tel: 86-29-8833-7252

China - Xiamen
Tel: 86-592-2388138

China - Zhuhai
Tel: 86-756-3210040

ASIA/PACIFIC

India - Bangalore
Tel: 91-80-3090-4444

India - New Delhi
Tel: 91-11-4160-8631

India - Pune
Tel: 91-20-4121-0141

Japan - Osaka
Tel: 81-6-6152-7160

Japan - Tokyo
Tel: 81-3-6880-3770

Korea - Daegu
Tel: 82-53-744-4301

Korea - Seoul
Tel: 82-2-554-7200

Malaysia - Kuala Lumpur
Tel: 60-3-7651-7906

Malaysia - Penang
Tel: 60-4-227-8870

Philippines - Manila
Tel: 63-2-634-9065

Singapore
Tel: 65-6334-8870

Taiwan - Hsin Chu
Tel: 886-3-577-8366

Taiwan - Kaohsiung
Tel: 886-7-213-7830

Taiwan - Taipei
Tel: 886-2-2508-8600

Thailand - Bangkok
Tel: 66-2-694-1351

Vietnam - Ho Chi Minh
Tel: 84-28-5448-2100

EUROPE

Austria - Wels
Tel: 43-7242-2244-39
Fax: 43-7242-2244-393

Denmark - Copenhagen
Tel: 45-4450-2828
Fax: 45-4485-2829

Finland - Espoo
Tel: 358-9-4520-820

France - Paris
Tel: 33-1-69-53-63-20
Fax: 33-1-69-30-90-79

Germany - Garching
Tel: 49-8931-9700

Germany - Haan
Tel: 49-2129-3766400

Germany - Heilbronn
Tel: 49-7131-67-3636

Germany - Karlsruhe
Tel: 49-721-625370

Germany - Munich
Tel: 49-89-627-144-0
Fax: 49-89-627-144-44

Germany - Rosenheim
Tel: 49-8031-354-560

Israel - Ra'anana
Tel: 972-9-744-7705

Italy - Milan
Tel: 39-0331-742611
Fax: 39-0331-466781

Italy - Padova
Tel: 39-049-7625286

Netherlands - Drunen
Tel: 31-416-690399
Fax: 31-416-690340

Norway - Trondheim
Tel: 47-7289-7561

Poland - Warsaw
Tel: 48-22-3325737

Romania - Bucharest
Tel: 40-21-407-87-50

Spain - Madrid
Tel: 34-91-708-08-90
Fax: 34-91-708-08-91

Sweden - Gothenberg
Tel: 46-31-704-60-40

Sweden - Stockholm
Tel: 46-8-5090-4654

UK - Wokingham
Tel: 44-118-921-5800
Fax: 44-118-921-5820

Mouser Electronics

Authorized Distributor

Click to View Pricing, Inventory, Delivery & Lifecycle Information:

[Microchip:](#)

[USB5806/KD](#) [USB5806-I/KD](#) [USB5806C/KD](#) [USB5806C-I/KD](#) [USB5806CT/KD](#) [USB5806CT-I/KD](#)



Компания «ЭлектроПласт» предлагает заключение долгосрочных отношений при поставках импортных электронных компонентов на взаимовыгодных условиях!

Наши преимущества:

- Оперативные поставки широкого спектра электронных компонентов отечественного и импортного производства напрямую от производителей и с крупнейших мировых складов;
- Поставка более 17-ти миллионов наименований электронных компонентов;
- Поставка сложных, дефицитных, либо снятых с производства позиций;
- Оперативные сроки поставки под заказ (от 5 рабочих дней);
- Экспресс доставка в любую точку России;
- Техническая поддержка проекта, помощь в подборе аналогов, поставка прототипов;
- Система менеджмента качества сертифицирована по Международному стандарту ISO 9001;
- Лицензия ФСБ на осуществление работ с использованием сведений, составляющих государственную тайну;
- Поставка специализированных компонентов (Xilinx, Altera, Analog Devices, Intersil, Interpoint, Microsemi, Aeroflex, Peregrine, Syfer, Eurofarad, Texas Instrument, Miteq, Cobham, E2V, MA-COM, Hittite, Mini-Circuits, General Dynamics и др.);

Помимо этого, одним из направлений компании «ЭлектроПласт» является направление «Источники питания». Мы предлагаем Вам помощь Конструкторского отдела:

- Подбор оптимального решения, техническое обоснование при выборе компонента;
- Подбор аналогов;
- Консультации по применению компонента;
- Поставка образцов и прототипов;
- Техническая поддержка проекта;
- Защита от снятия компонента с производства.



Как с нами связаться

Телефон: 8 (812) 309 58 32 (многоканальный)

Факс: 8 (812) 320-02-42

Электронная почта: org@eplast1.ru

Адрес: 198099, г. Санкт-Петербург, ул. Калинина, дом 2, корпус 4, литера А.