

NOTES:

1. MATERIALS:

- CONNECTOR HOUSING: HIGH TEMPERATURE THERMOPLASTIC GLASS FILLED, UL 94V-0
- EMI CAGE: NICKEL SILVER ALLOY
- EMI FINGERS: COPPER ALLOY
- TERMINALS: COPPER ALLOY
- LIGHT PIPES: HALOGEN FREE, CLEAR POLYCARBONATE

2. FINISHES:

- EMI FINGERS: 0.50µM MIN NICKEL
- CONTACT AREA: 0.76µM MIN GOLD OVER 2.54µM MIN NICKEL
- TAIL AREA: 0.76µM-1.52µM TIN OVER 2.54µM MIN NICKEL

3. PRODUCT SPECIFICATION: PS-76866-001

4. PACKAGING SPECIFICATION: PK-76866-002

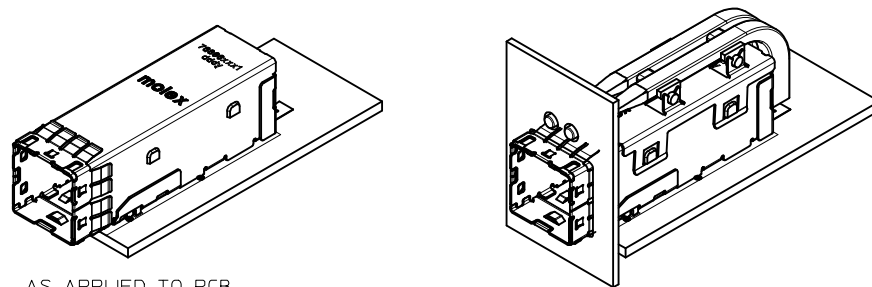
- CONNECTORS WILL BE IN ONE BOX
- LIGHT PIPE ASSEMBLIES WILL BE IN ONE BOX
- BOTH BOXES WILL BE IN A MASTER CARTON

5. MATES WITH: MOLEX CABLE SERIES 111068

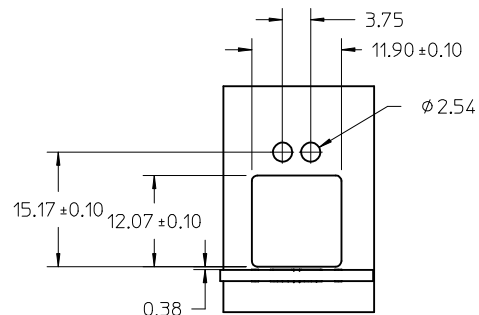
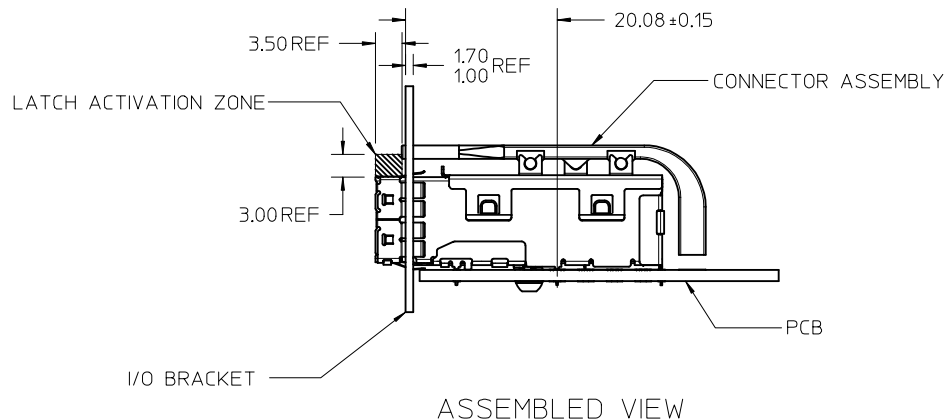
6. RECOMMENDED MOUNTING HARDWARE: REFER TO APPLICATION SPECIFICATION AS-76866-001

7. PLUG MODULE PCB LAYOUT REFER TO SD-76866-9900

REV'D NOTES IEC NO: UCP2015-5060 DRWN:KCALLAGHAN 2015/06/01 CHKD:TMCCLELLAND 2015/06/03 APPR:TMCCLELL 2015/06/18	DESCRIPTION REV D5	QUALITY SYMBOLS	GENERAL TOLERANCES (UNLESS SPECIFIED)		DIMENSION STYLE MM ONLY		SCALE 2:1	DESIGN UNITS METRIC	THIRD ANGLE PROJECTION	
		▽=0	mm	INCH	DRAWN BY KLANG	DATE 2009/06/04	IPASS PLUS HD 1X1 EXT REC & CAGE LIGHT PIPE 			
		▽=0	4 PLACES ± ---	± ---	CHECKED BY TMCCLELLAND	DATE 2013/10/16				
		▽=0	3 PLACES ± ---	± ---	APPROVED BY MBANAKIS	DATE 2010/01/14				
▽=0	2 PLACES ± 0.13	± ---	MATERIAL NO. 76866-0121		DOCUMENT NO. SD-76866-021	SHEET NO. 1 OF 4				
			ANGULAR ±1/2°		THIS DRAWING CONTAINS INFORMATION THAT IS PROPRIETARY TO MOLEX INCORPORATED AND SHOULD NOT BE USED WITHOUT WRITTEN PERMISSION					
			DRAFT WHERE APPLICABLE MUST REMAIN WITHIN DIMENSIONS							

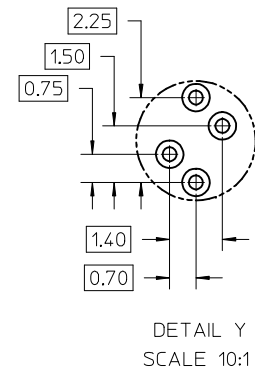
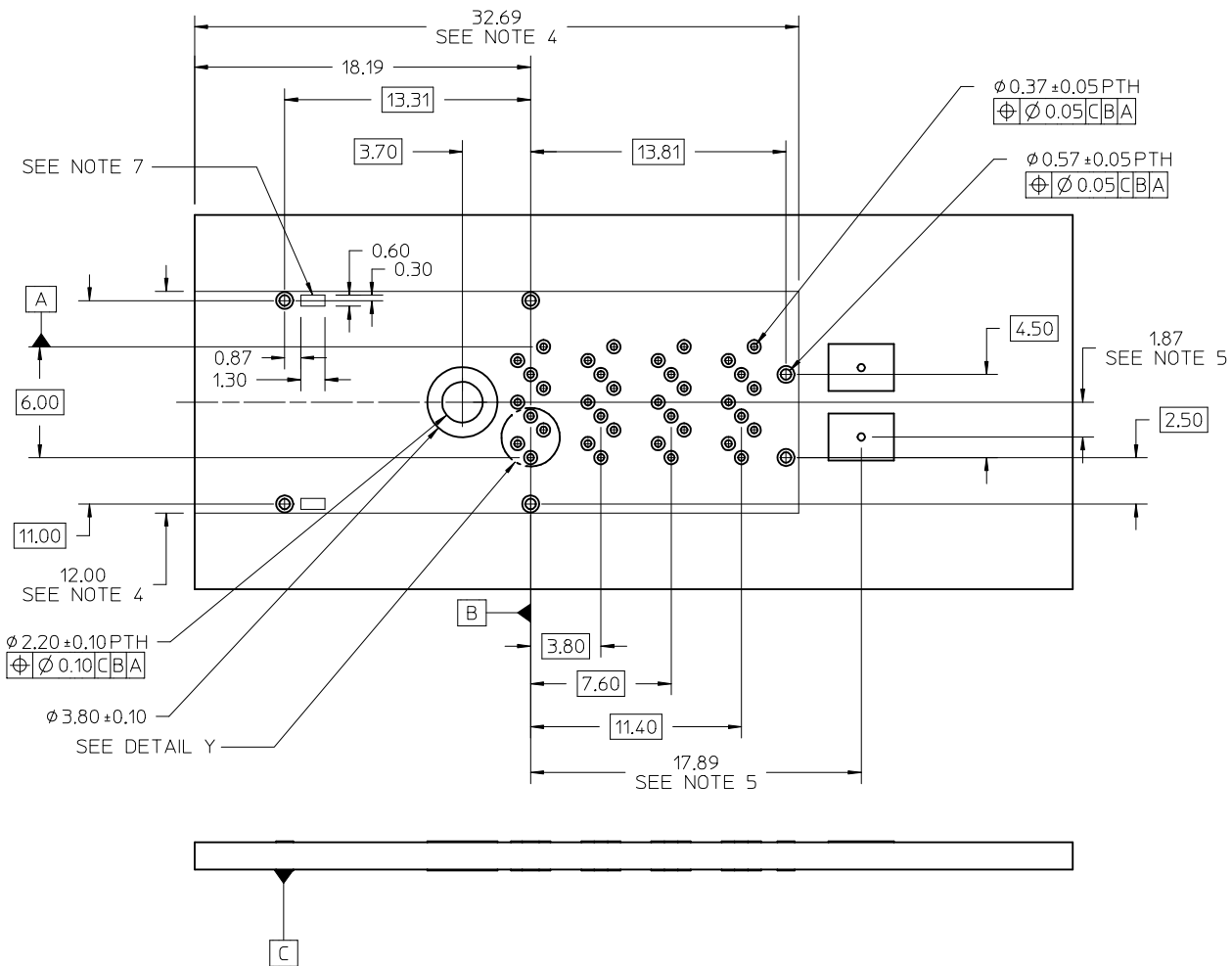


AS APPLIED TO PCB



I/O BRACKET CUT OUT
(BRACKET NOT SUPPLIED)

SEE SHEET 1 EC NO: UCP2015-5060 DRINKCALLAGHAN 2015/06/01 CHKD: TMCCLELLAND 2015/06/03 APPR: TMCCLELL 2015/06/18	QUALITY SYMBOLS	GENERAL TOLERANCES (UNLESS SPECIFIED)		DIMENSION STYLE MM ONLY		SCALE 2:1	DESIGN UNITS METRIC	THIRD ANGLE PROJECTION	
	▽=0	mm	INCH	DRAWN BY	DATE	IPASS PLUS HD 1X1 EXT REC & CAGE LIGHT PIPE molex			
	▽=0	4 PLACES ± ---	± ---	KLANG	2009/06/04				
	▽=0	3 PLACES ± ---	± ---	CHECKED BY	DATE	SD-76866-021 DOCUMENT NO.			
	▽=0	2 PLACES ± 0.13	± ---	TMCCLELLAND	2013/10/16				
▽=0	1 PLACE ± 0.25	± ---	APPROVED BY	DATE	SHEET NO. 2 OF 4				
▽=0	0 PLACE ±	±	MBANAKIS	2010/01/14					
REV	DESCRIPTION	ANGULAR ±1/2°		MATERIAL NO.		THIS DRAWING CONTAINS INFORMATION THAT IS PROPRIETARY TO MOLEX INCORPORATED AND SHOULD NOT BE USED WITHOUT WRITTEN PERMISSION			
D5		DRAFT WHERE APPLICABLE MUST REMAIN WITHIN DIMENSIONS		SEE SHEET 1					



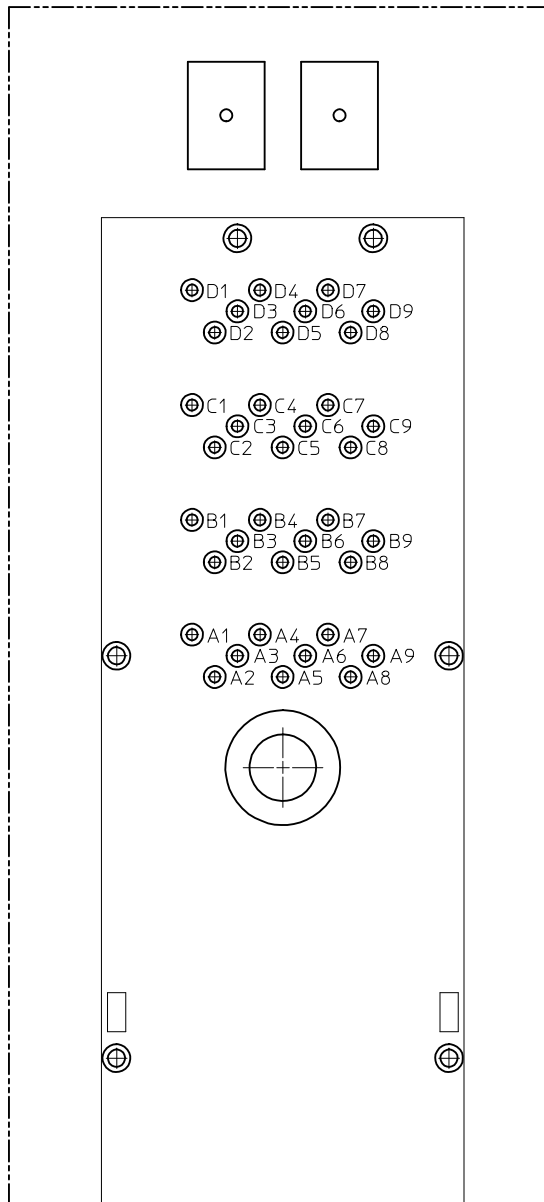
NOTES:

1. RECOMMENDED DRILL SIZE AND ANNULAR RING FOR A 0.37 ϕ FINISHED PTH - REFER TO APPLICATION SPECIFICATION AS-76866-001
2. MINIMUM RECOMMENDED SPACING: 14.00MM
3. MINIMUM PCB THICKNESS: 1.57MM
4. CONNECTOR KEEP OUT AREA
5. LOCATION OF LED CENTER LINE
6. RECOMMENDED DRILL SIZE AND ANNULAR RING FOR A 0.57 ϕ FINISHED PTH - REFER TO APPLICATION SPECIFICATION AS-76866-001
7. CAGE STAND OFF AREA, NO TRACES ON SURFACE OF PCB IN THESE AREAS

RECOMMENDED FOOTPRINT

SEE SHEET 1 EC NO: UCP2015-5060 DRWN: KALLAGHAN 2015/06/01 CHKD: TMCLELLAND 2015/06/03 APPR: TMCLELL 2015/06/18	QUALITY SYMBOLS $\nabla = 0$ $\nabla = 0$ $\nabla = 0$	GENERAL TOLERANCES (UNLESS SPECIFIED)		DIMENSION STYLE MM ONLY		SCALE 5:1	DESIGN UNITS METRIC	THIRD ANGLE PROJECTION		
				mm	INCH	DRAWN BY KLANG	DATE 2009/06/04	IPASS PLUS HD 1X1 EXT REC & CAGE LIGHT PIPE molex DOCUMENT NO. SD-76866-021 SHEET NO. 3 OF 4		
		4 PLACES	\pm ---	\pm ---	CHECKED BY TMCLELLAND	DATE 2013/10/16				
		3 PLACES	\pm ---	\pm ---	APPROVED BY MBANAKIS	DATE 2010/01/14				
2 PLACES	± 0.13	\pm ---								
1 PLACE	± 0.25	\pm ---								
0 PLACE	\pm	\pm								
		ANGULAR $\pm 1/2^\circ$		SEE SHEET 1						
		DRAFT WHERE APPLICABLE MUST REMAIN WITHIN DIMENSIONS		SIZE C		THIS DRAWING CONTAINS INFORMATION THAT IS PROPRIETARY TO MOLEX INCORPORATED AND SHOULD NOT BE USED WITHOUT WRITTEN PERMISSION				

RECOMMENDED TOOLING KEEP OUT AREAS

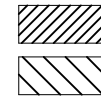


CIRCUIT IDENTIFICATION

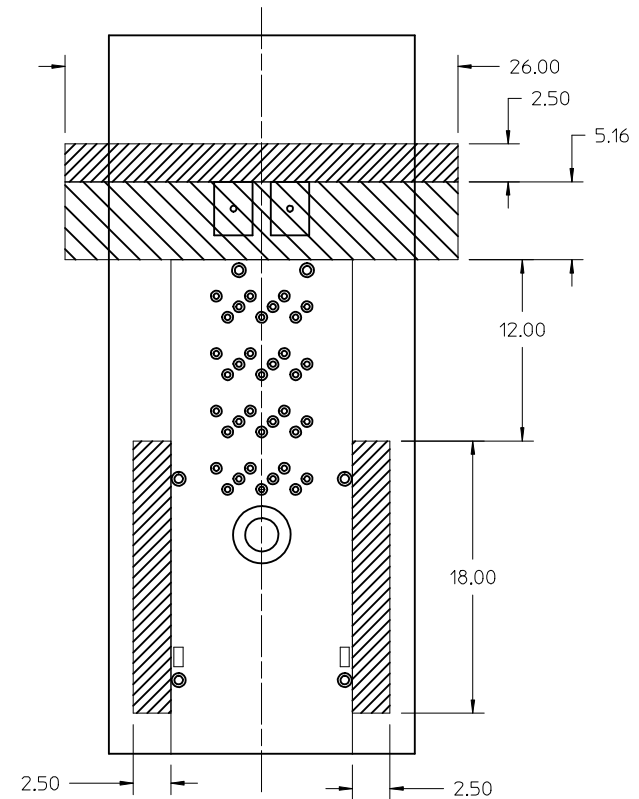
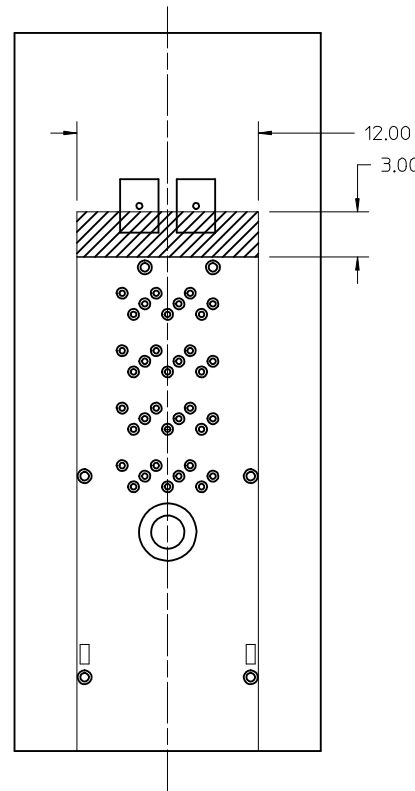
Partial1
SCALE 8:1



RECOMMENDED INSERTION TOOL
KEEP OUT AREA
NO COMPONENTS IN THIS AREA
MORE THAN 7.50 mm TALL



RECOMMENDED EXTRACTION TOOL
KEEP OUT AREA
NO COMPONENTS IN THESE AREAS
NO COMPONENTS IN THIS AREA
MORE THAN 5.00 mm TALL



SEE SHEET 1 IEC NO: UCP2015-5060 DRWINKCALLAGHAN 2015/06/01 CHKD:TMCCLELLAND 2015/06/03 APPR:TMCCLELL 2015/06/18	QUALITY SYMBOLS	GENERAL TOLERANCES (UNLESS SPECIFIED)		DIMENSION STYLE	SCALE	DESIGN UNITS	THIRD ANGLE PROJECTION
	▽=0	mm	INCH	MM ONLY	4:1	METRIC	
	▽=0	4 PLACES ± ---	± ---	DRAWN BY	DATE	TITLE	
	▽=0	3 PLACES ± ---	± ---	KLANG	2009/06/04	IPASS PLUS HD 1X1 EXT REC & CAGE LIGHT PIPE	
	▽=0	2 PLACES ± 0.13	± ---	CHECKED BY	DATE	molex	
REV	DESCRIPTION	1 PLACE ± 0.25	± ---	TMCCLELLAND	2013/10/16	DOCUMENT NO.	SHEET NO.
D5		0 PLACE ±	±	APPROVED BY	DATE	SD-76866-021	4 OF 4
		ANGULAR ±1/2°		MBANAKIS	2010/01/14	THIS DRAWING CONTAINS INFORMATION THAT IS PROPRIETARY TO MOLEX INCORPORATED AND SHOULD NOT BE USED WITHOUT WRITTEN PERMISSION	
		DRAFT WHERE APPLICABLE MUST REMAIN WITHIN DIMENSIONS		SIZE			



Компания «ЭлектроПласт» предлагает заключение долгосрочных отношений при поставках импортных электронных компонентов на взаимовыгодных условиях!

Наши преимущества:

- Оперативные поставки широкого спектра электронных компонентов отечественного и импортного производства напрямую от производителей и с крупнейших мировых складов;
- Поставка более 17-ти миллионов наименований электронных компонентов;
- Поставка сложных, дефицитных, либо снятых с производства позиций;
- Оперативные сроки поставки под заказ (от 5 рабочих дней);
- Экспресс доставка в любую точку России;
- Техническая поддержка проекта, помощь в подборе аналогов, поставка прототипов;
- Система менеджмента качества сертифицирована по Международному стандарту ISO 9001;
- Лицензия ФСБ на осуществление работ с использованием сведений, составляющих государственную тайну;
- Поставка специализированных компонентов (Xilinx, Altera, Analog Devices, Intersil, Interpoint, Microsemi, Aeroflex, Peregrine, Syfer, Eurofarad, Texas Instrument, Miteq, Cobham, E2V, MA-COM, Hittite, Mini-Circuits, General Dynamics и др.);

Помимо этого, одним из направлений компании «ЭлектроПласт» является направление «Источники питания». Мы предлагаем Вам помощь Конструкторского отдела:

- Подбор оптимального решения, техническое обоснование при выборе компонента;
- Подбор аналогов;
- Консультации по применению компонента;
- Поставка образцов и прототипов;
- Техническая поддержка проекта;
- Защита от снятия компонента с производства.



Как с нами связаться

Телефон: 8 (812) 309 58 32 (многоканальный)

Факс: 8 (812) 320-02-42

Электронная почта: org@eplast1.ru

Адрес: 198099, г. Санкт-Петербург, ул. Калинина, дом 2, корпус 4, литера А.