



S29VS064R
S29XS064R

**64-Mbit (4M × 16-bit), 1.8 V, Multiplexed,
Burst MirrorBit® Flash**

Distinctive Characteristics

- Single 1.8 V read, program and erase (1.7 to 1.95 V)
- VersatileIO™ Feature
 - Device generates data output voltages and tolerates data input voltages as determined by the voltage on the V_{CCQ} pin
 - 1.8 V compatible I/O signals
- Address and Data Interface Options
 - Address and Data Multiplexed for reduced I/O count (ADM) S29VS-R
 - Address-High, Address-Low, Data Multiplexed for minimum I/O count (AADM) S29XS-R
- Simultaneous Read/Write operation
 - Data can be continuously read from one bank while executing erase/program functions in other bank
 - Zero latency between read and write operations
- Burst length
 - Continuous linear burst
 - 8/16 word linear burst with wrap around
- Secured Silicon Sector region
 - 256 words accessible through a command sequence, 128 words for the Factory Secured Silicon Sector and 128 words for the Customer Secured Silicon Sector.
- Sector Architecture
 - Four 8 kword sectors in upper-most address range
 - One hundred twenty-seven 32 kword sectors
 - Four banks

Security Features

- Dynamic Protection Bit (DYB)
 - A command sector protection method to lock combinations of individual sectors to prevent program or erase operations within that sector
 - Sectors can be locked and unlocked in-system at V_{CC} level
- Hardware Sector Protection
 - All sectors locked when V_{PP} = V_{IL}
- Handshaking feature
 - Provides host system with minimum possible latency by monitoring RDY
- Supports Common Flash Memory Interface (CFI)
- Manufactured on 65 nm MirrorBit® process technology
- Cycling endurance: 100,000 cycles per sector typical
- Data retention: 10 years typical
- Data# Polling and toggle bits
 - Provides a software method of detecting program and erase operation completion
- Erase Suspend/Resume
 - Suspends an erase operation to read data from, or program data to, a sector that is not being erased, then resumes the erase operation
- Program Suspend/Resume
 - Suspends a programming operation to read data from a sector other than the one being programmed, then resume the programming operation
- Packages
 - 44-ball Very Thin FBGA

Performance Characteristics

Read Access Times	
Speed Option (MHz)	108
Max. Synch. Latency, ns (t_{IACC})	80
Max. Synch. Burst Access, ns (t_{BACC})	7.6
Max. Asynch. Access Time, ns (t_{ACC})	80
Max OE# Access Time, ns (t_{OE})	15

Current Consumption (typical values)	
Continuous Burst Read @ 108 MHz	32 mA
Simultaneous Operation @ 108 MHz	71 mA
Program/Erase	30 mA
Standby Mode	20 μ A

Typical Program and Erase Times	
Single Word Programming	170 μ s
Effective Write Buffer Programming (V_{CC}) Per Word	14.1 μ s
Effective Write Buffer Programming (V_{PP}) Per Word	9 μ s
Sector Erase (8 kword Sector)	350 ms
Sector Erase (32 kword Sector)	800 ms

Contents

Distinctive Characteristics	1	13. Configuration Register	38
Performance Characteristics	2	13.1 Reset Command	39
Contents	3	13.2 Autoselect Command Sequence	39
1. General Description	4	13.3 Enter/Exit Secured Silicon Sector Command Sequence	39
1.1 Simultaneous Read/Write Operations with Zero Latency	4	13.4 Program Command Sequence	40
2. Block Diagrams	5	13.5 Accelerated Program	40
3. Connection Diagram	7	13.6 Write Buffer Programming Command Sequence	41
4. Physical Dimensions	8	13.7 Chip Erase Command Sequence	43
5. Input/Output Descriptions	9	13.8 Sector Erase Command Sequence	43
6. Logic Symbol	9	13.9 Erase Suspend/Erase Resume Commands	44
7. Memory Map	10	13.10 Program Suspend/Program Resume Commands	45
8. Ordering Information	18	13.11 Volatile Sector Protection Command Set	45
8.1 Valid Combinations	19	14. Write Operation Status	48
9. Address/Data Configuration (Interface) Modes	20	14.1 DQ7: Data# Polling	48
9.1 ADM Interface Mode (S29VS064R)	20	14.2 RDY: Ready	49
9.2 AADM Interface Mode (S29XS064R)	20	14.3 DQ6: Toggle Bit I	50
9.3 Default Access Mode	21	14.4 DQ2: Toggle Bit II	51
10. Device Bus Operations	21	14.5 Reading Toggle Bits DQ6/DQ2	52
10.1 Versatile IO™ (V _{IO}) Control	22	14.6 DQ5: Exceeded Timing Limits	52
10.2 Asynchronous Read	22	14.7 DQ3: Sector Erase Start Timeout State Indicator	53
10.3 Synchronous (Burst) Read Mode and Configuration Register	22	14.8 DQ1: Write to Buffer Abort	53
10.4 Programmable Wait State	26	15. Absolute Maximum Ratings	54
10.5 Configuration Register	26	16. Operating Ranges	54
10.6 Handshaking Feature	26	17. IDC Characteristics	55
10.7 Simultaneous Read/Write Operations with Zero Latency	26	18. Test Conditions	56
10.8 Writing Commands/Command Sequences	26	19. Key to Switching Waveforms	56
10.9 Accelerated Program and Erase Operations	26	19.1 Switching Waveforms	56
10.10 Write Buffer Programming Operation	27	20. AC Characteristics	57
10.11 Autoselect Mode	28	20.1 V _{CC} Power-up	57
10.12 Sector Protection	28	20.2 Synchronous/Burst Read	58
10.13 Hardware Data Protection Mode	28	20.3 Asynchronous Read	60
10.14 Low VCC Write Inhibit	28	20.4 Hardware Reset (RESET#)	61
10.15 Write Pulse “Glitch” Protection	28	20.5 Erase/Program Operations	62
10.16 Logical Inhibit	29	21. Erase and Programming Performance	67
10.17 Lock Register	29	22. BGA Ball Capacitance	67
10.18 Standby Mode	29	23. Document History	68
10.19 Automatic Sleep Mode	29	Document History Page	68
10.20 RESET#: Hardware Reset Input	29	Sales, Solutions, and Legal Information	70
10.21 Output Disable Mode	30	Worldwide Sales and Design Support	70
10.22 Secured Silicon Sector Flash Memory Region	30	Products	70
11. Common Flash Memory Interface (CFI)	31	PSoC® Solutions	70
12. Command Definitions	35	Cypress Developer Community	70
12.1 Reading Array Data	35	Technical Support	70
12.2 Set Configuration Register Command Sequence	35		
12.3 Read Configuration Register Command Sequence	35		

1. General Description

The S29V/XS064R are 64 Mb, 1.8 Volt-only, Simultaneous Read/Write, Burst Mode flash memory devices, organized as 4,194,304 words of 16 bits each. These devices use a single V_{CC} of 1.70 to 1.95 V to read, program, and erase the memory array. A 9.0-volt V_{PP} , may be used for faster program performance if desired. These devices can also be programmed in standard EPROM programmers.

The devices operate within the temperature range of -25°C to $+85^{\circ}\text{C}$, and are offered in Very Thin FBGA packages. The devices are also available in the temperature range of -40°C to $+85^{\circ}\text{C}$. Please refer to the Specification Supplement with Publication Number S29VS064R_XS064R_SP for specification differences for devices offered in the -45°C to $+85^{\circ}\text{C}$ temperature range.

1.1 Simultaneous Read/Write Operations with Zero Latency

The Simultaneous Read/Write architecture provides **simultaneous operation** by dividing the memory space into four banks. The device allows a host system to program or erase in one bank, then immediately and simultaneously read from another bank, with zero latency. This releases the system from waiting for the completion of program or erase operations.

The VersatileIO™ (V_{IO}) control allows the host system to set the voltage levels that the device generates at its data outputs and the voltages tolerated at its data inputs to the same voltage level that is asserted on the V_{CCQ} pin.

The devices use Chip Enable (CE#), Write Enable (WE#), Address Valid (AVD#) and Output Enable (OE#) to control asynchronous read and write operations. For burst operations, the devices additionally require Ready (RDY) and Clock (CLK). This implementation allows easy interface with minimal glue logic to microprocessors/microcontrollers for high performance read operations.

The devices offer complete compatibility with the **JEDEC 42.4 single-power-supply flash command set standard**. Commands are written to the command register using standard microprocessor write timings. Reading data out of the device are similar to reading from other flash or EPROM devices.

The host system can detect whether a program or erase operation is complete by using the device **status bit** DQ7 (Data# Polling) and DQ6/DQ2 (toggle bits). After a program or erase cycle has been completed, the device automatically returns to reading array data.

The **sector erase architecture** allows memory sectors to be erased and reprogrammed without affecting the data contents of other sectors. The devices are fully erased when shipped from the factory.

Hardware data protection measures include a low V_{CC} detector that automatically inhibits write operations during power transitions. The devices also offers another type of data protection at the sector level. When V_{PP} is at V_{IL} , all sectors are locked.

The devices offer two power-saving features. When addresses have been stable for a specified amount of time, the device enters the **automatic sleep mode**. The system can also place the device into the **standby mode**. Power consumption is greatly reduced in both modes.

Device programming occurs by executing the program command sequence. This initiates the **Embedded Program** algorithm - an internal algorithm that automatically times the program pulse widths and verifies proper cell margin. Additionally, **Write Buffer Programming** is available on this family of devices. This feature provides superior programming performance by grouping locations being programmed.

Device erasure occurs by executing the erase command sequence. This initiates the **Embedded Erase** algorithm - an internal algorithm that automatically preprograms the array (if it is not already fully programmed) before executing the erase operation. During erase, the device automatically times the erase pulse widths and verifies proper cell margin.

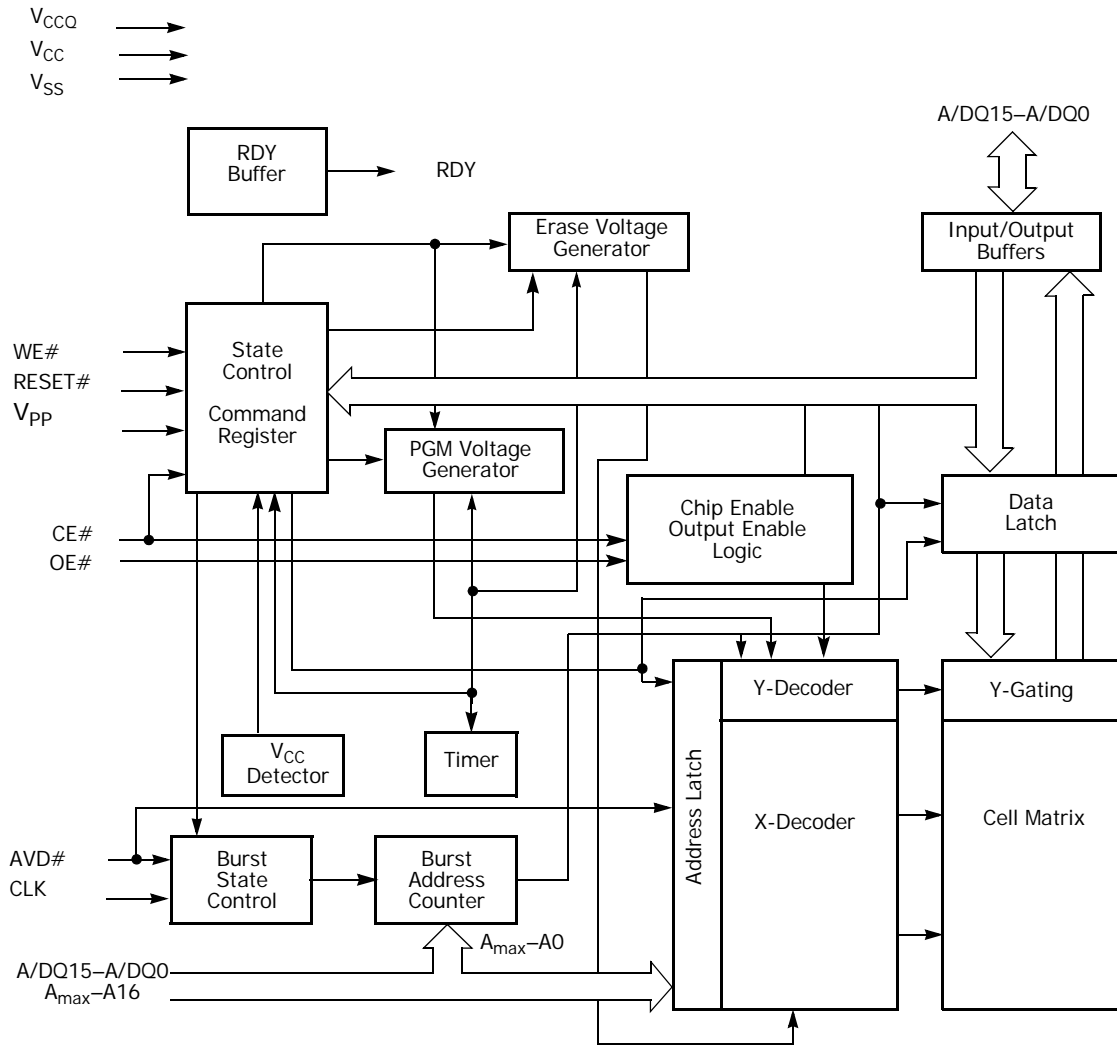
The **Program Suspend/Program Resume** feature enables the user to put program on hold to read data from any sector that is not selected for programming. If a read is needed from the Dynamic Protection area, or the CFI area, after a program suspend, then the user must use the proper command sequence to enter and exit this region. The program suspend/resume functionality is also available when programming in erase suspend (1 level depth only).

The **Erase Suspend/Erase Resume** feature enables the user to put erase on hold to read data from, or program data to, any sector that is not selected for erasure. True background erase can thus be achieved. If a read is needed from the Dynamic Protection area, or the CFI area, after an erase suspend, then the user must use the proper command sequence to enter and exit this region.

The **hardware RESET# pin** terminates any operation in progress and resets the internal state machine to reading array data. The RESET# pin may be tied to the system reset circuitry. A system reset would thus also reset the device, enabling the system microprocessor to read boot-up firmware from the flash memory device.

2. Block Diagrams

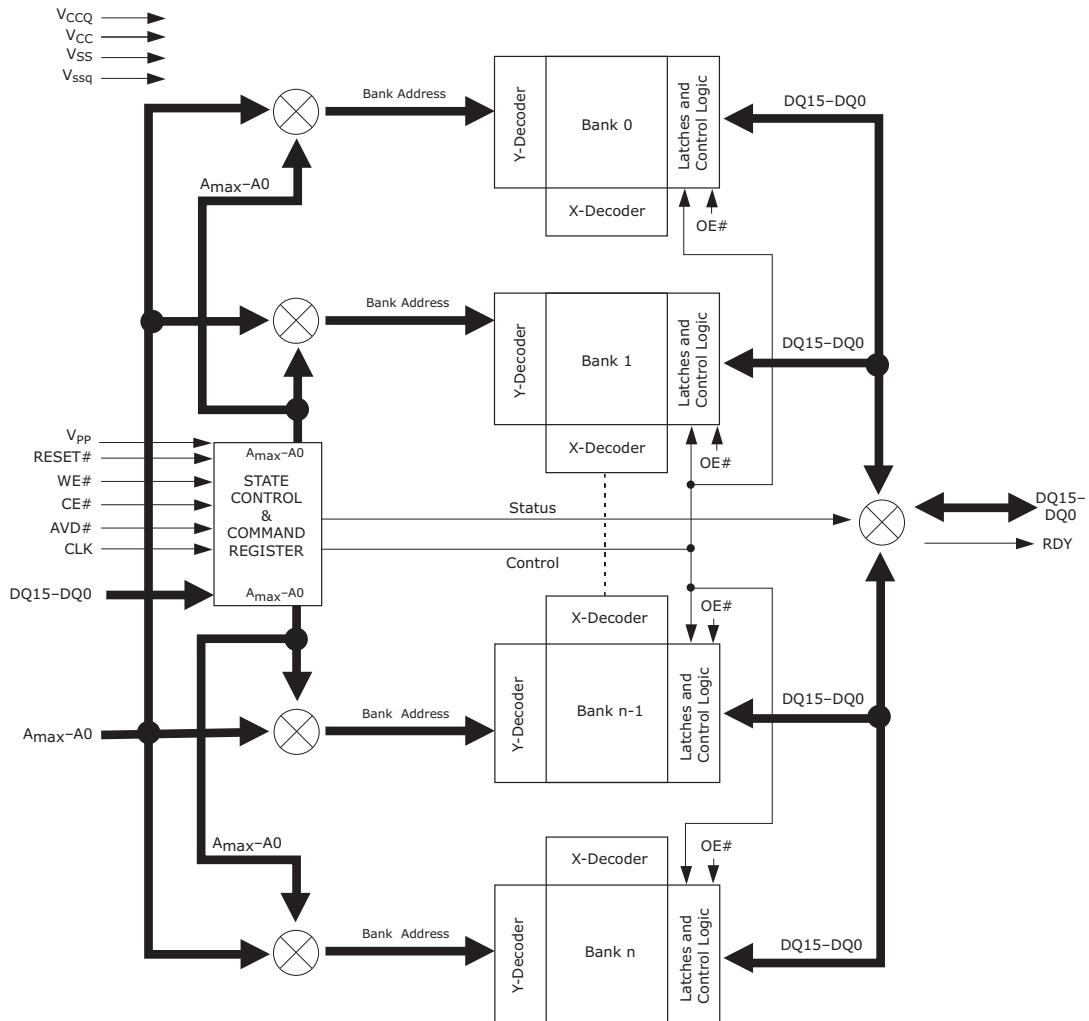
Figure 1. S29VS/XS064R Block Diagram



Note:

A_{max} indicates the highest order address bit. A_{max} equals A21 for S29VS/XS064R.

Figure 2. Block Diagram of Simultaneous Operation Circuit

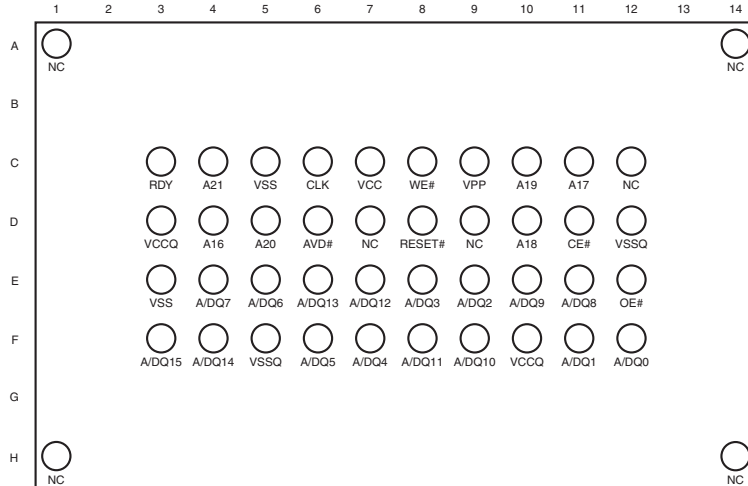


Notes:

1. $A_{15}-A_0$ are multiplexed with $DQ15-DQ0$.
2. A_{max} indicates the highest order address bit.
3. $n = 3$.

3. Connection Diagram

S29VS/XS064R, 44-Ball Very Thin FBGA Top View, Balls Facing Down

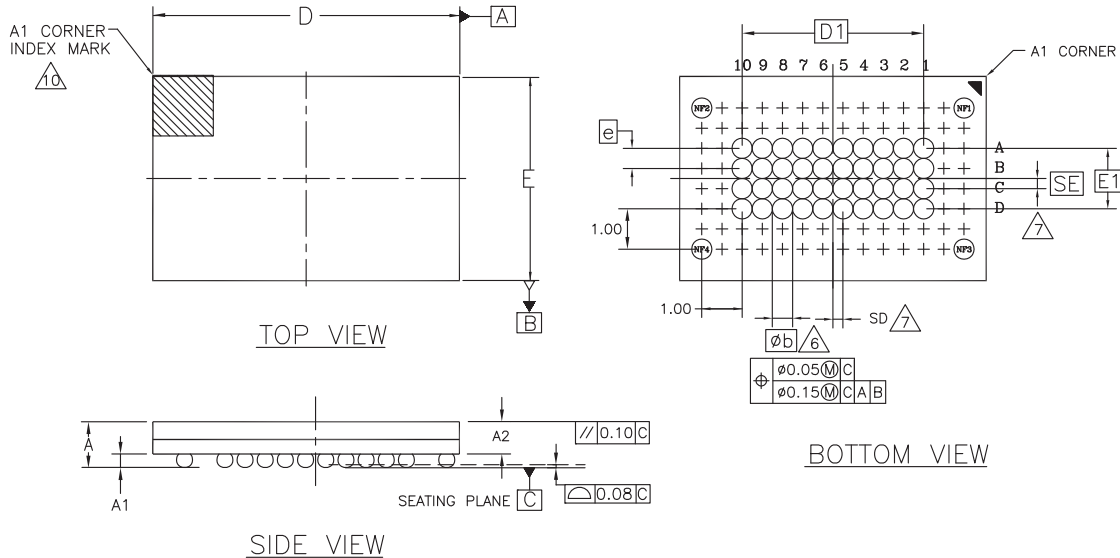


Special Package Handling Instructions

Special handling is required for flash memory products in FBGA packages. The package and/or data integrity may be compromised if the package body is exposed to temperatures above 150°C for prolonged periods of time.

4. Physical Dimensions

Figure 3. VDL044—44-Ball Very Thin Fine-Pitch Ball Grid Array (FBGA) 7.5 x5.0 mm Package



PACKAGE	VDL 044			NOTE
JEDEC	N/A			
D x E	7.50 mm x 5.00 mm PACKAGE			
SYMBOL	MIN	NOM	MAX	
A	---	---	1.00	PROFILE
A1	0.18	---	---	BALL HEIGHT
A2	0.62	---	0.74	BODY THICKNESS
\boxed{D}	7.50 BSC			BODY SIZE
\boxed{E}	5.00 BSC			BODY SIZE
$\boxed{D1}$	4.50 BSC			MATRIX FOOTPRINT
$\boxed{E1}$	1.50 BSC			MATRIX FOOTPRINT
MD	10			MATRIX SIZE D DIRECTION
ME	4			MATRIX SIZE E DIRECTION
n	44			BALL COUNT
$\varnothing b$	0.25	0.30	0.35	BALL DIAMETER
\boxed{e}	0.50 BSC			BALL PITCH
$\boxed{SE/SD}$	0.25 BSC			BALL PITCH
	NONE			DEPOPULATED SOLDER BALLS

NOTES:

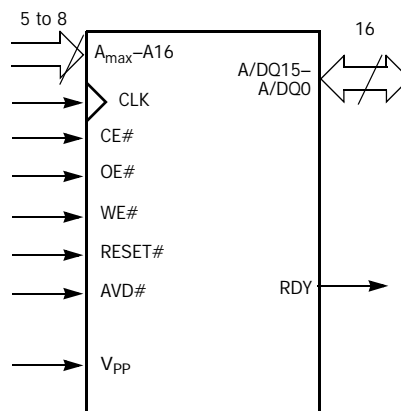
- DIMENSIONING AND TOLERANCING METHODS PER ASME Y14.5M-1994.
- ALL DIMENSIONS ARE IN MILLIMETERS.
- BALL POSITION DESIGNATION PER JESD 95-1, SPP-010 (EXCEPT AS NOTED).
- \boxed{e} REPRESENTS THE SOLDER BALL GRID PITCH.
- SYMBOL "MD" IS THE BALL MATRIX SIZE IN THE "D" DIRECTION.
SYMBOL "ME" IS THE BALL MATRIX SIZE IN THE "E" DIRECTION.
n IS THE NUMBER OF SOLDER BALLS.
- $\triangle 6$ DIMENSION "b" IS MEASURED AT THE MAXIMUM BALL DIAMETER IN A PLANE PARALLEL TO DATUM C.
- $\triangle 7$ SD AND SE ARE MEASURED WITH RESPECT TO DATUMS A AND B AND DEFINE THE POSITION OF THE CENTER SOLDER BALL IN THE OUTER ROW.
WHEN THERE IS AN ODD NUMBER OF SOLDER BALLS IN THE OUTER ROW SD OR SE = 0.000.
WHEN THERE IS AN EVEN NUMBER OF SOLDER BALLS IN THE OUTER ROW, SD OR SE = $\boxed{e/2}$
- NOT USED.
- "+" INDICATES THE THEORETICAL CENTER OF DEPOPULATED BALLS.
- $\triangle 10$ A1 CORNER TO BE IDENTIFIED BY CHAMFER, LASER OR INK MARK, METALLIZED MARK INDENTATION OR OTHER MEANS.

3697 \ 116-038.27 \ 6.17.8

5. Input/Output Descriptions

Signal	Description
A21-A16	Address Inputs.
A/DQ15-A/DQ0	Multiplexed Address/Data input/output.
CE#	Chip Enable Input. Asynchronous relative to CLK for the Burst mode.
OE#	Output Enable Input. Asynchronous relative to CLK for the Burst mode.
WE#	Write Enable Input.
V _{CC}	Device Power Supply (1.70 V–1.95 V).
V _{CCQ}	Input/Output Power Supply (1.70 V–1.95 V).
V _{SS}	Ground.
V _{SSQ}	Input/Output Ground.
NC	Not Connected. No device internal signal is connected to the package connector nor is there any future plan to use the connector for a signal. The connection may safely be used for routing space for a signal on a Printed Circuit Board (PCB).
RDY	Ready output; indicates the status of the Burst read. V _{OL} = data invalid. V _{OH} = data valid.
CLK	The first rising edge of CLK in conjunction with AVD# low latches address input and activates burst mode operation. After the initial word is output, subsequent rising edges of CLK increment the internal address counter. CLK should remain low during asynchronous access.
AVD#	Address Valid input. Indicates to device that the valid address is present on the address inputs (address bits A15–A0 are multiplexed, address bits A _{max} –A16 are address only). V _{IL} = for asynchronous mode, indicates valid address; for burst mode, causes starting address to be latched on rising edge of CLK. V _{IH} = device ignores address inputs.
RESET#	Hardware reset input. V _{IL} = device resets and returns to reading array data.
V _{PP}	At 9V, accelerates programming. At V _{IL} , disables program and erase functions. Should be at V _{IH} for all other conditions.

6. Logic Symbol



A_{max} indicates the highest order address bit.

7. Memory Map

The S29VS064R, S29XS064R device consists of 4 banks organized as shown in [Table 1](#) and [Table 2](#).

Table 1. S29VS064R, S29XS064R Sector and Memory Address Map (Top Boot)

Bank	Sector Size	Sector	Address Start (Word)	Address End (Word)
0	32 kwords	SA000	0h	7FFFh
		SA001	8000h	FFFFh
		SA002	10000h	17FFFh
		SA003	18000h	1FFFFh
		SA004	20000h	27FFFh
		SA005	28000h	2FFFFh
		SA006	30000h	37FFFh
		SA007	38000h	3FFFFh
		SA008	40000h	47FFFh
		SA009	48000h	4FFFFh
		SA010	50000h	57FFFh
		SA011	58000h	5FFFFh
		SA012	60000h	67FFFh
		SA013	68000h	6FFFFh
		SA014	70000h	77FFFh
		SA015	78000h	7FFFFh
		SA016	80000h	87FFFh
		SA017	88000h	8FFFFh
		SA018	90000h	97FFFh
		SA019	98000h	9FFFFh
		SA020	A0000h	A7FFFh
		SA021	A8000h	AFFFFh
		SA022	B0000h	B7FFFh
		SA023	B8000h	BFFFFh
		SA024	C0000h	C7FFFh
		SA025	C8000h	CFFFFh
		SA026	D0000h	D7FFFh
		SA027	D8000h	DFFFFh
		SA028	E0000h	E7FFFh
		SA029	E8000h	EFFFFh
		SA030	F0000h	F7FFFh
		SA031	F8000h	FFFFh

Table 1. S29VS064R, S29XS064R Sector and Memory Address Map (Top Boot) (Continued)

Bank	Sector Size	Sector	Address Start (Word)	Address End (Word)
1	32 kwords	SA032	10000h	107FFFh
		SA033	108000h	10FFFFh
		SA034	110000h	117FFFh
		SA035	118000h	11FFFFh
		SA036	120000h	127FFFh
		SA037	128000h	12FFFFh
		SA038	130000h	137FFFh
		SA039	138000h	13FFFFh
		SA040	140000h	147FFFh
		SA041	148000h	14FFFFh
		SA042	150000h	157FFFh
		SA043	158000h	15FFFFh
		SA044	160000h	167FFFh
		SA045	168000h	16FFFFh
		SA046	170000h	177FFFh
		SA047	178000h	17FFFFh
		SA048	180000h	187FFFh
		SA049	188000h	18FFFFh
		SA050	190000h	197FFFh
		SA051	198000h	19FFFFh
		SA052	1A0000h	1A7FFFh
		SA053	1A8000h	1AFFFFh
		SA054	1B0000h	1B7FFFh
		SA055	1B8000h	1BFFFFh
		SA056	1C0000h	1C7FFFh
		SA057	1C8000h	1CFFFFh
		SA058	1D0000h	1D7FFFh
		SA059	1D8000h	1DFFFFh
		SA060	1E0000h	1E7FFFh
		SA061	1E8000h	1EFFFFh
		SA062	1F0000h	1F7FFFh
		SA063	1F8000h	1FFFFFh

Table 1. S29VS064R, S29XS064R Sector and Memory Address Map (Top Boot) (Continued)

Bank	Sector Size	Sector	Address Start (Word)	Address End (Word)
2	32 kwords	SA064	200000h	207FFFh
		SA065	208000h	20FFFFh
		SA066	210000h	217FFFh
		SA067	218000h	21FFFFh
		SA068	220000h	227FFFh
		SA069	228000h	22FFFFh
		SA070	230000h	237FFFh
		SA071	238000h	23FFFFh
		SA072	240000h	247FFFh
		SA073	248000h	24FFFFh
		SA074	250000h	257FFFh
		SA075	258000h	25FFFFh
		SA076	260000h	267FFFh
		SA077	268000h	26FFFFh
		SA078	270000h	277FFFh
		SA079	278000h	27FFFFh
		SA080	280000h	287FFFh
		SA081	288000h	28FFFFh
		SA082	290000h	297FFFh
		SA083	298000h	29FFFFh
		SA084	2A0000h	2A7FFFh
		SA085	2A8000h	2AFFFFh
		SA086	2B0000h	2B7FFFh
		SA087	2B8000h	2BFFFFh
		SA088	2C0000h	2C7FFFh
		SA089	2C8000h	2CFFFFh
		SA090	2D0000h	2D7FFFh
SA091	2D8000h	2DFFFFh		
SA092	2E0000h	2E7FFFh		
SA093	2E8000h	2EFFFFh		
SA094	2F0000h	2F7FFFh		
SA095	2F8000h	2FFFFFh		

Table 1. S29VS064R, S29XS064R Sector and Memory Address Map (Top Boot) (Continued)

Bank	Sector Size	Sector	Address Start (Word)	Address End (Word)
3	32 kwords	SA096	30000h	307FFFh
		SA097	30800h	30FFFFh
		SA098	31000h	317FFFh
		SA099	31800h	31FFFFh
		SA100	32000h	327FFFh
		SA101	32800h	32FFFFh
		SA102	33000h	337FFFh
		SA103	33800h	33FFFFh
		SA104	34000h	347FFFh
		SA105	34800h	34FFFFh
		SA106	35000h	357FFFh
		SA107	35800h	35FFFFh
		SA108	36000h	367FFFh
		SA109	36800h	36FFFFh
		SA110	37000h	377FFFh
		SA111	37800h	37FFFFh
		SA112	38000h	387FFFh
		SA113	38800h	38FFFFh
		SA114	39000h	397FFFh
		SA115	39800h	39FFFFh
		SA116	3A000h	3A7FFFh
		SA117	3A800h	3AFFFFh
		SA118	3B000h	3B7FFFh
		SA119	3B800h	3BFFFFh
	SA120	3C000h	3C7FFFh	
	SA121	3C800h	3CFFFFh	
	SA122	3D000h	3D7FFFh	
	SA123	3D800h	3DFFFFh	
	SA124	3E000h	3E7FFFh	
	SA125	3E800h	3EFFFFh	
	SA126	3F000h	3F7FFFh	
	8 kwords	SA127	3F800h	3F9FFFh
SA128		3FA00h	3FBFFFh	
SA129		3FC00h	3FDFFFh	
SA130		3FE00h	3FFFFh	

Table 2. S29VS064R, S29XS064R Sector and Memory Address Map (Bottom Boot)

Bank	Sector Size	Sector	Address Start (Word)	Address End (Word)
0	8 kwords	SA000	0h	1FFFh
		SA001	2000h	3FFFh
		SA002	4000h	5FFFh
		SA003	6000h	7FFFh
	32 kwords	SA004	8000h	FFFFh
		SA005	10000h	17FFFh
		SA006	18000h	1FFFFh
		SA007	20000h	27FFFh
		SA008	28000h	2FFFFh
		SA009	30000h	37FFFh
		SA010	38000h	3FFFFh
		SA011	40000h	47FFFh
		SA012	48000h	4FFFFh
		SA013	50000h	57FFFh
		SA014	58000h	5FFFFh
		SA015	60000h	67FFFh
		SA016	68000h	6FFFFh
		SA017	70000h	77FFFh
		SA018	78000h	7FFFFh
		SA019	80000h	87FFFh
		SA020	88000h	8FFFFh
		SA021	90000h	97FFFh
		SA022	98000h	9FFFFh
		SA023	A0000h	A7FFFh
		SA024	A8000h	AFFFFh
		SA025	B0000h	B7FFFh
		SA026	B8000h	BFFFFh
		SA027	C0000h	C7FFFh
		SA028	C8000h	CFFFFh
		SA029	D0000h	D7FFFh
		SA030	D8000h	DFFFFh
		SA031	E0000h	E7FFFh
		SA032	E8000h	EFFFFh
		SA033	F0000h	F7FFFh
SA034	F8000h	FFFFh		

Table 2. S29VS064R, S29XS064R Sector and Memory Address Map (Bottom Boot) (Continued)

Bank	Sector Size	Sector	Address Start (Word)	Address End (Word)
1	32 kwords	SA035	10000h	107FFFh
		SA036	108000h	10FFFFh
		SA037	110000h	117FFFh
		SA038	118000h	11FFFFh
		SA039	120000h	127FFFh
		SA040	128000h	12FFFFh
		SA041	130000h	137FFFh
		SA042	138000h	13FFFFh
		SA043	140000h	147FFFh
		SA044	148000h	14FFFFh
		SA045	150000h	157FFFh
		SA046	158000h	15FFFFh
		SA047	160000h	167FFFh
		SA048	168000h	16FFFFh
		SA049	170000h	177FFFh
		SA050	178000h	17FFFFh
		SA051	180000h	187FFFh
		SA052	188000h	18FFFFh
		SA053	190000h	197FFFh
		SA054	198000h	19FFFFh
		SA055	1A0000h	1A7FFFh
		SA056	1A8000h	1AFFFFh
		SA057	1B0000h	1B7FFFh
		SA058	1B8000h	1BFFFFh
		SA059	1C0000h	1C7FFFh
		SA060	1C8000h	1CFFFFh
		SA061	1D0000h	1D7FFFh
		SA062	1D8000h	1DFFFFh
		SA063	1E0000h	1E7FFFh
		SA064	1E8000h	1EFFFFh
		SA065	1F0000h	1F7FFFh
		SA066	1F8000h	1FFFFFh

Table 2. S29VS064R, S29XS064R Sector and Memory Address Map (Bottom Boot) (Continued)

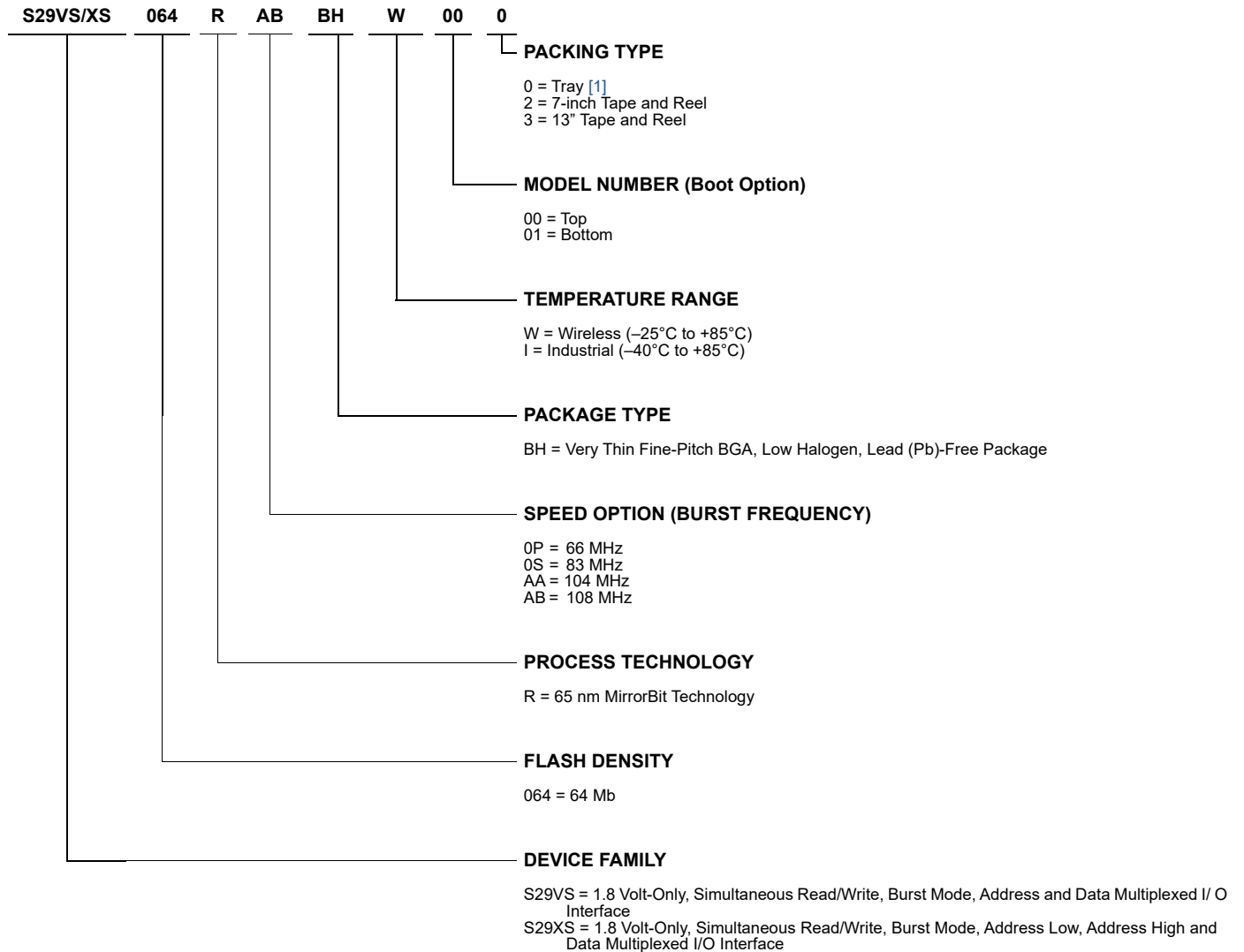
Bank	Sector Size	Sector	Address Start (Word)	Address End (Word)
2	32 kwords	SA067	20000h	207FFFh
		SA068	20800h	20FFFFh
		SA069	21000h	217FFFh
		SA070	21800h	21FFFFh
		SA071	22000h	227FFFh
		SA072	22800h	22FFFFh
		SA073	23000h	237FFFh
		SA074	23800h	23FFFFh
		SA075	24000h	247FFFh
		SA076	24800h	24FFFFh
		SA077	25000h	257FFFh
		SA078	25800h	25FFFFh
		SA079	26000h	267FFFh
		SA080	26800h	26FFFFh
		SA081	27000h	277FFFh
		SA082	27800h	27FFFFh
		SA083	28000h	287FFFh
		SA084	28800h	28FFFFh
		SA085	29000h	297FFFh
		SA086	29800h	29FFFFh
		SA087	2A000h	2A7FFFh
		SA088	2A800h	2AFFFFh
		SA089	2B000h	2B7FFFh
		SA090	2B800h	2BFFFFh
		SA091	2C000h	2C7FFFh
		SA092	2C800h	2CFFFFh
		SA093	2D000h	2D7FFFh
		SA094	2D800h	2DFFFFh
		SA095	2E000h	2E7FFFh
		SA096	2E800h	2EFFFFh
		SA097	2F000h	2F7FFFh
		SA098	2F800h	2FFFFh

Table 2. S29VS064R, S29XS064R Sector and Memory Address Map (Bottom Boot) (Continued)

Bank	Sector Size	Sector	Address Start (Word)	Address End (Word)
3	32 kwords	SA099	300000h	307FFFh
		SA100	308000h	30FFFFh
		SA101	310000h	317FFFh
		SA102	318000h	31FFFFh
		SA103	320000h	327FFFh
		SA104	328000h	32FFFFh
		SA105	330000h	337FFFh
		SA106	338000h	33FFFFh
		SA107	340000h	347FFFh
		SA108	348000h	34FFFFh
		SA109	350000h	357FFFh
		SA110	358000h	35FFFFh
		SA111	360000h	367FFFh
		SA112	368000h	36FFFFh
		SA113	370000h	377FFFh
		SA114	378000h	37FFFFh
		SA115	380000h	387FFFh
		SA116	388000h	38FFFFh
		SA117	390000h	397FFFh
		SA118	398000h	39FFFFh
		SA119	3A0000h	3A7FFFh
		SA120	3A8000h	3AFFFFh
		SA121	3B0000h	3B7FFFh
		SA122	3B8000h	3BFFFFh
		SA123	3C0000h	3C7FFFh
		SA124	3C8000h	3CFFFFh
		SA125	3D0000h	3D7FFFh
		SA126	3D8000h	3DFFFFh
		SA127	3E0000h	3E7FFFh
		SA128	3E8000h	3EFFFFh
SA129	3F0000h	3F7FFFh		
SA130	3F8000h	3FFFFFh		

8. Ordering Information

The order number (Valid Combination) is formed by the following:



8.1 Valid Combinations

Valid Combinations list configurations planned to be supported in volume for this device. Consult your local sales office to confirm availability of specific valid combinations and to check on newly released combinations.

S29V/XS-R Valid Combinations [1][2]					
Base Ordering Part Number	Speed Option	Package Type, Material, and Temperature	Packing Type	Model Numbers	Package Type [2]
S29VS064R	0P, 0S, AB	BHW	0, 3 [1]	00, 01	7.5 mm x 5.0 mm, 44-ball
S29XS064R					
S29VS064R	0S, AA, AB	BHI	0, 2, 3	00, 01	7.5 mm x 5.0 mm, 44-ball
S29XS064R					

Notes:

1. Type 0 is standard. Specify other options as required.
2. BGA package marking omits leading "S" and packing type designator from ordering part number.

9. Address/Data Configuration (Interface) Modes

There are two options for connection to the address and data buses.

- Address and Data Multiplexed (ADM) mode - On the S29VS-R devices upper address is supplied on separate signal inputs and the lower 16-bits of address are multiplexed with 16-bit data on the A/DQ15 to A/DQ0 I/Os.
- Address-high, Address-low, and Data Multiplexed (AADM) mode - On the S29XS-R devices upper and lower address are multiplexed with 16-bit data on the A/DQ15 to A/D0 signal I/Os.

The two options allow use with the traditional address/data multiplexed NOR interface (S29VS family), or an address multiplexed/data multiplexed interface with the lowest signal count (S29XS family).

ADM or AADM mode can be selected via ordering part number only.

9.1 ADM Interface Mode (S29VS064R)

In ADM mode, the AVD# signal is used to capture the entire address with a single toggle of AVD# in asynchronous mode or in a single clock cycle in synchronous mode.

9.2 AADM Interface Mode (S29XS064R)

Signal input and output (I/O) connections on a high complexity component such as an Application Specific Integrated Circuit (ASIC) are a limited resource. Reducing signal count on any interface of the ASIC allows for either more features or lower package cost. The memory interface described in this section is intended to reduce the I/O signal count associated with the flash memory interface with an ASIC.

The interface is called Address-High, Address-Low, and Data Multiplexed (AADM) because all address and data information is time multiplexed on a single 16-bit wide bus. This interface is electrically compatible with existing ADM 16-bit wide random access static memory interfaces but uses fewer address signals. In that sense AADM is a signal count subset of existing static memory interfaces. This interface can be implemented in existing memory controller designs, as an additional mode, with minimal changes. No new I/O technology is needed and existing memory interfaces can continue to be supported while the electronics industry adopts this new interface. ASIC designers can reuse the existing memory address signals above A15 for other functions when an AADM memory is in use.

By breaking up the memory address in to two time slots the address is naturally extended to be a 32-bit word address. But, using two bus cycles to transfer the address increases initial access latency by increasing the time address is using the bus. However, many memory accesses are to locations in memory nearby the previous access. Very often it is not necessary to provide both cycles of address. This interface stores the high half of address in the memory so that if the high half of address does not change from the previous access, only the low half of address needs to be sent on the bus. If a new upper address is not captured at the beginning of an access the last captured value of the upper address is used. This allows accesses within the same 128-kbyte address range to provide only the lower address as part of each access.

In AADM mode two signal rising edges are needed to capture the upper and lower address portions in asynchronous mode or two signal combinations over two clocks is needed in synchronous mode. In asynchronous mode the upper address is captured by an AVD# rising edge when OE# is Low; the lower address is captured on the rising edge of AVD# with OE# High. In synchronous mode the upper address is captured at the rising clock edge when AVD# and OE# are Low; the lower address is captured at the rising edge of clock when AVD# is Low and OE# is High.

CE# going High at any time during the access or OE# returning High after RDY is first asserted High during an access, terminates the read access and causes the address/data bus direction to switch back to input mode. The address/data bus direction switches from input to output mode only after an Address-Low capture when AVD# is Low and OE# is High. This prevents the assertion of OE# during Address-High capture from causing a bus conflict between the host address and memory data signals. Note, in burst mode, this implies at least one cycle of CE# or OE# High before an Address-high for a new access may be placed on the bus so that there is time for the memory to recognize the end of the previous access, stop driving data outputs, and ignore OE# so that assertion of OE# with the new Address-high does not create a bus conflict with a new address being driven on the bus. At high bus frequencies more than one cycle may be need in order to allow time for data outputs to stop driving and new address to be driven (bus turn around time).

During a write access, the address/data bus direction is always in the input mode.

The upper address is set to Zero or all Ones, for bottom or top boot respectively, during a Hardware Reset, operate in ADM mode during the early phase of boot code execution where only a single address cycle would be issued with the lower 16 bit of the address reaching the memory in AADM mode. The default high order address bits will direct the early boot accesses to the 128 kbytes at the boot end of the device. Note that in AADM interface mode this effectively requires that one of the boot sectors is selected for any address overlay mode because in the initial phase of AADM mode operation the host memory controller may only issue the low order address thus limiting the early boot time address space to the 128 kbytes at the boot end of the device.

9.3 Default Access Mode

Upon power-up or hardware reset, the device defaults to the Asynchronous Access mode.

10. Device Bus Operations

This section describes the requirements and use of the device bus operations, which are initiated through the internal command register. The command register itself does not occupy any addressable memory location. The register is composed of latches that store the commands, along with the address and data information needed to execute the command. The contents of the register serve as inputs to the internal state machine. The state machine outputs dictate the function of the device. Table 3 lists the device bus operations, the inputs and control levels they require, and the resulting output. The following subsections describe each of these operations in further detail.

Table 3. Device Bus Operations

Operation	CE#	OE#	WE#	A _{max} -16	A/DQ15-0	RESET#	CLK	AVD#
Standby (CE#)	H	X	X	X	High-Z	H	H/L	X
Hardware Reset	X	X	X	X	High-Z	L	X	X
Asynchronous Address Latch - ADM mode (29VS064R only)	L	H	X	Addr In	Addr In	H	X	
Asynchronous Upper Address Latch - AADM mode (29XS064R only)	L	L	H	X	Addr In	H	X	
Asynchronous Lower Address Latch - AADM mode (29XS064R only)	L	H	X	X	Addr In	H	X	
Asynchronous Read	L	L	H	Addr In	I/O	H	L	
Write	L	H	L	Addr In	I/O	H	H/L	
Burst Read Operations								
Latch Starting Burst Address by CLK -ADM mode (29VS064R only)	L	H	H	Addr In	Addr In	H		L
Latch Upper Starting Burst Address by CLK - AADM mode (29XS064R only)	L	L	H	X	Addr In	H		L
Latch Lower Starting Burst Address by CLK - AADM mode (29XS064R only)	L	H	H	X	Addr In	H		L
Advance Burst to next address with appropriate Data presented on the Data Bus	L	L	H	X	Burst Data Out	H		H
Terminate current Burst read cycle	H	X	H	X	High-Z	H		X
Terminate current Burst read cycle via RESET#	X	X	H	X	High-Z	L	X	X
Terminate current Burst read cycle and start new Burst read cycle	L	H	H	X	I/O	H		

Legend:

L = Logic 0, H = Logic 1, X = Don't Care.

10.1 Versatile IO™ (V_{IO}) Control

The VersatileIO (V_{IO}) control allows the host system to set the voltage levels that the device generates at its data outputs and the voltages tolerated at its data inputs to the same voltage level that is asserted on the V_{CCQ} pin.

10.2 Asynchronous Read

The device is in the Asynchronous mode when Bit 15 of the Configuration register is set to '1'. To read data from the memory array, the system must first assert a valid address.

10.2.1 S29VS-R ADM Access

With CE# LOW, WE# HIGH, and OE# HIGH, the system presents the address to the device and sets AVD# LOW. AVD# is kept LOW for at least t_{AVDP} ns. The address is latched on the rising edge of AVD#.

10.2.2 S29XS-R AADM Access

With CE# LOW, WE# HIGH, and OE# HIGH, the system presents the upper address bits to DQ and sets AVD# LOW. The system then sets OE# LOW. The upper address bits are set when AVD# goes HIGH.

The system then sets AVD# LOW again, with OE# HIGH to capture the lower address bits. The lower address bits are latched on the next rising edge of AVD#.

Address access time (t_{ACC}) is equal to the delay from stable addresses to valid output data. The chip enable access time (t_{CE}) is the delay from stable CE# to valid data at the outputs. See [AC Characteristics on page 57](#).

10.3 Synchronous (Burst) Read Mode and Configuration Register

The device is capable of continuous sequential burst operation and linear burst operation of a preset length.

In order to use Synchronous (Burst) Read Mode the configuration register bit 15 must be set to 0.

Prior to entering burst mode, the system should determine how many wait states are needed for the initial word of each burst access (see [Table 4 on page 23](#)), what mode of burst operation is desired, and how the RDY signal transitions with valid data. The system would then write the configuration register command sequence. See [Configuration Register on page 38](#) for further details.

When the appropriate number of Wait States have occurred, data is output after the rising edge of the CLK. Subsequent words are output t_{BACC} after the rising edge of each successive clock cycle, which automatically increments the internal address counter. RDY indicates the initial latency and any subsequent waits.

10.3.1 S29VS-R ADM Access

To burst read data from the memory array in ADM mode, the system must assert CE# to V_{IL}, and provide a valid address while driving AVD# to V_{IL} for one cycle. OE# must remain at V_{IH} during the one cycle that AVD# is low. The data appears on A/DQ15 -A/DQ0 when CE# remains Low, after OE# is Low and the synchronous access times are satisfied. The next data in the burst sequence is read on each clock cycle that OE# and CE# remain Low.

OE# does not terminate a burst access if it rises to V_{IH} during a burst access. The outputs will go to high impedance but the burst access will continue until terminated by CE# going to V_{IH}, or AVD# returns to V_{IL} with a new address to initiate a another burst access.

10.3.2 S29XS-R AADM Access

To burst read data from the memory array in AADM mode, the system must assert CE# to V_{IL}. OE# must go low with AVD# for one cycle while the upper address is valid. The rising edge of CLK when OE# and AVD# are Low captures the upper 16 bits of address. The rising edge of CLK when OE# is High and AVD# is Low latches the lower 16 bits of address. The data appears on A/DQ15 -A/DQ0 when CE# remains Low, after OE# is Low and the synchronous access times are satisfied. The next data in the burst sequence is read on each clock cycle that OE# and CE# remain Low.

Once OE# returns to V_{IH} during a burst read the OE# no longer enables the outputs until after AVD# is at V_{IL} with OE# at V_{IH} - which signals that address-low has been captured for the next burst access. This is so that OE# at V_{IL} may be used in conjunction with AVD# at V_{IL} to indicate address-high on the A/DQ signals without enabling the A/DQ outputs, thus avoiding data output contention with Address-high.

The device has a fixed internal address boundary that occurs every 128 words. A boundary crossing of one or two additional wait states is required. The time the device is outputting data with the starting burst address not divisible by eight, additional waits might be required. The following Tables show the latency for variable wait state operation (note that ws = wait state).

Table 4. Wait State vs. Frequency

Wait State	Frequency (Maximum MHz)
3	27
4	40
5	54
6	66
7	80
8	95
9	108

Table 5. Address Latency for 10 -13 Wait States

Word	Initial Wait	Subsequent Clock Cycles After Initial Wait States									
0	10 -13 wait states	D0	D1	D2	D3	D4	D5	D6	D7	+2 ws	D8
1		D1	D2	D3	D4	D5	D6	D7	1 ws	+2 ws	D8
2		D2	D3	D4	D5	D6	D7	1 ws	1 ws	+2 ws	D8
3		D3	D4	D5	D6	D7	1 ws	1 ws	1 ws	+2 ws	D8
4		D4	D5	D6	D7	1 ws	1 ws	1 ws	1 ws	+2 ws	D8
5		D5	D6	D7	1 ws	1 ws	1 ws	1 ws	1 ws	+2 ws	D8
6		D6	D7	1 ws	1 ws	1 ws	1 ws	1 ws	1 ws	+2 ws	D8
7		D7	1 ws	1 ws	1 ws	1 ws	1 ws	1 ws	1 ws	+2 ws	D8

Table 6. Address Latency for 9 Wait States

Word	Initial Wait	Subsequent Clock Cycles After Initial Wait States									
0	9 wait states	D0	D1	D2	D3	D4	D5	D6	D7	+1 ws	D8
1		D1	D2	D3	D4	D5	D6	D7	1 ws	+1 ws	D8
2		D2	D3	D4	D5	D6	D7	1 ws	1 ws	+1 ws	D8
3		D3	D4	D5	D6	D7	1 ws	1 ws	1 ws	+1 ws	D8
4		D4	D5	D6	D7	1 ws	1 ws	1 ws	1 ws	+1 ws	D8
5		D5	D6	D7	1 ws	1 ws	1 ws	1 ws	1 ws	+1 ws	D8
6		D6	D7	1 ws	1 ws	1 ws	1 ws	1 ws	1 ws	+1 ws	D8
7		D7	1 ws	1 ws	1 ws	1 ws	1 ws	1 ws	1 ws	+1 ws	D8

Table 7. Address Latency for 8 Wait States

Word	Initial Wait	Subsequent Clock Cycles After Initial Wait States								
0	8 wait states	D0	D1	D2	D3	D4	D5	D6	D7	D8
1		D1	D2	D3	D4	D5	D6	D7	1 ws	D8
2		D2	D3	D4	D5	D6	D7	1 ws	1 ws	D8
3		D3	D4	D5	D6	D7	1 ws	1 ws	1 ws	D8
4		D4	D5	D6	D7	1 ws	1 ws	1 ws	1 ws	D8
5		D5	D6	D7	1 ws	1 ws	1 ws	1 ws	1 ws	D8
6		D6	D7	1 ws	1 ws	1 ws	1 ws	1 ws	1 ws	D8
7		D7	1 ws	1 ws	1 ws	1 ws	1 ws	1 ws	1 ws	D8

Table 8. Address Latency for 7 Wait States

Word	Initial Wait	Subsequent Clock Cycles After Initial Wait States								
0	7 wait states	D0	D1	D2	D3	D4	D5	D6	D7	D8
1		D1	D2	D3	D4	D5	D6	D7	D8	D9
2		D2	D3	D4	D5	D6	D7	1 ws	D8	D9
3		D3	D4	D5	D6	D7	1 ws	1 ws	D8	D9
4		D4	D5	D6	D7	1 ws	1 ws	1 ws	D8	D9
5		D5	D6	D7	1 ws	1 ws	1 ws	1 ws	D8	D9
6		D6	D7	1 ws	1 ws	1 ws	1 ws	1 ws	D8	D9
7		D7	1 ws	1 ws	1 ws	1 ws	1 ws	1 ws	D8	D9

Table 9. Address Latency for 6 Wait States

Word	Initial Wait	Subsequent Clock Cycles After Initial Wait States								
0	6 wait states	D0	D1	D2	D3	D4	D5	D6	D7	D8
1		D1	D2	D3	D4	D5	D6	D7	D8	D9
2		D2	D3	D4	D5	D6	D7	D8	D9	D10
3		D3	D4	D5	D6	D7	1 ws	D8	D9	D10
4		D4	D5	D6	D7	1 ws	1 ws	D8	D9	D10
5		D5	D6	D7	1 ws	1 ws	1 ws	D8	D9	D10
6		D6	D7	1 ws	1 ws	1 ws	1 ws	D8	D9	D10
7		D7	1 ws	1 ws	1 ws	1 ws	1 ws	D8	D9	D10

Table 10. Address Latency for 5 Wait States

Word	Initial Wait	Subsequent Clock Cycles After Initial Wait States								
0	5 wait states	D0	D1	D2	D3	D4	D5	D6	D7	D8
1		D1	D2	D3	D4	D5	D6	D7	D8	D9
2		D2	D3	D4	D5	D6	D7	D8	D9	D10
3		D3	D4	D5	D6	D7	D8	D9	D10	D11
4		D4	D5	D6	D7	1 ws	D8	D9	D10	D11
5		D5	D6	D7	1 ws	1 ws	D8	D9	D10	D11
6		D6	D7	1 ws	1 ws	1 ws	D8	D9	D10	D11
7		D7	1 ws	1 ws	1 ws	1 ws	D8	D9	D10	D11

Table 11. Address Latency for 4 Wait States

Word	Initial Wait	Subsequent Clock Cycles After Initial Wait States								
0	4 wait states	D0	D1	D2	D3	D4	D5	D6	D7	D8
1		D1	D2	D3	D4	D5	D6	D7	D8	D9
2		D2	D3	D4	D5	D6	D7	D8	D9	D10
3		D3	D4	D5	D6	D7	D8	D9	D10	D11
4		D4	D5	D6	D7	D8	D9	D10	D11	D12
5		D5	D6	D7	1 ws	D8	D9	D10	D11	D12
6		D6	D7	1 ws	1 ws	D8	D9	D10	D11	D12
7		D7	1 ws	1 ws	1 ws	D8	D9	D10	D11	D12

Table 12. Address Latency for 3 Wait States

Word	Initial Wait	Subsequent Clock Cycles After Initial Wait States								
0	3 wait states	D0	D1	D2	D3	D4	D5	D6	D7	D8
1		D1	D2	D3	D4	D5	D6	D7	D8	D9
2		D2	D3	D4	D5	D6	D7	D8	D9	D10
3		D3	D4	D5	D6	D7	D8	D9	D10	D11
4		D4	D5	D6	D7	D8	D9	D10	D11	D12
5		D5	D6	D7	D8	D9	D10	D11	D12	D13
6		D6	D7	1 ws	D8	D9	D10	D11	D12	D13
7		D7	1 ws	1 ws	D8	D9	D10	D11	D12	D13

The device will continue to output continuous, sequential burst data, wrapping around to address 000000h after it reaches the highest addressable memory location, until the system asserts CE# high, RESET# low, or AVD# low in conjunction with a new address. See [Table 3 on page 21](#). The reset command does *not* terminate the burst read operation.

8- and 16-Word Linear Burst with Wrap Around

These two modes are of the linear wrap around design, in which a fixed number of words are read from consecutive addresses. In each of these modes, the burst addresses read are determined by the group within which the starting address falls. The groups are sized according to the number of words read in a single burst sequence for a given mode (see [Table 13](#).)

Table 13. Burst Address Groups

Mode	Group Size	Group Address Ranges
8-word	8 words	0-7h, 8-Fh, 10-17h, 18-1Fh...
16-word	16 words	0-Fh, 10-1Fh, 20-2Fh, 30-3Fh...

As an example: if the starting address in the 8-word mode is 3Ah, and the burst sequence would be 3A-3B-3C-3D-3E-3F-38-39h. The burst sequence begins with the starting address written to the device, but wraps back to the first address in the selected group. In a similar fashion, the 16-word Linear Wrap mode begins its burst sequence on the starting address written to the device, and then wraps back to the first address in the selected address group and terminates the burst read. **Note that in these two burst read modes the address pointer does not cross the boundary that occurs every 128 words; thus, no wait states are inserted (except during the initial access).**

10.4 Programmable Wait State

The programmable wait state feature indicates to the device the number of additional clock cycles that must elapse after AVD# is driven active before data will be available. Upon power up, the device defaults to the maximum of seven total cycles. The total number of wait states is programmable from three to nine cycles. For further details, see [Set Configuration Register Command Sequence on page 35](#).

10.5 Configuration Register

The device uses a configuration register to set the various burst parameters: number of wait states, burst read mode, burst length, RDY configuration, and synchronous mode active.

10.6 Handshaking Feature

The handshaking feature allows the host system to simply monitor the RDY signal from the device to determine when the initial word of burst data is ready to be read. The host system should use the configuration register to set the number of wait states for optimal burst mode operation. The initial word of burst data is indicated by the rising edge of RDY after OE# goes low.

10.7 Simultaneous Read/Write Operations with Zero Latency

This device is capable of reading data from one bank of memory while programming or erasing in one of the other banks of memory. An erase operation may also be suspended to read from or program to another location within the same bank (except the sector being erased). [Figure 24 on page 66](#) shows how read and write cycles may be initiated for simultaneous operation with zero latency. Refer to [Table 29 on page 55](#) for read-while-program and read-while-erase current specifications.

10.8 Writing Commands/Command Sequences

The device has inputs/outputs that accept both address and data information. To write a command or command sequence (which includes programming data to the device and erasing sectors of memory), the system must drive AVD# and CE# to V_{IL} , and OE# to V_{IH} when providing an address to the device, and drive WE# and CE# to V_{IL} , and OE# to V_{IH} when writing commands or data.

An erase operation can erase one sector, multiple sectors, or the entire device. [Table 1 on page 10](#) and [Table 2 on page 14](#) indicate the address space that each sector occupies. The device address space is divided into multiple banks. A “bank address” is the address bits required to uniquely select a bank. Similarly, a “sector address” is the address bits required to uniquely select a sector.

Refer to [Table 29 on page 55](#) for write mode current specifications. The [AC Characteristics on page 57](#) section contains timing specification tables and timing diagrams for write operations.

10.9 Accelerated Program and Erase Operations

The device offers accelerated program and erase operation through the V_{PP} function. V_{PP} is primarily intended to allow faster manufacturing throughput at the factory and not to be used in system operations.

If the system asserts V_{HH} on this input, the device uses the higher voltage on the input to reduce the time required for program and erase operations. Removing V_{HH} from the V_{PP} input, upon completion of the embedded program or erase operation, returns the device to normal operation. Note that sectors must be unlocked prior to raising V_{PP} to V_{HH} . *Note that the V_{PP} pin must not be at V_{HH} for operations other than accelerated programming, or device damage may result. In addition, the V_{PP} pin must not be left floating or unconnected; inconsistent behavior of the device may result.*

When at V_{IL} , V_{PP} locks all sectors. V_{PP} should be at V_{IH} for all other conditions.

10.10 Write Buffer Programming Operation

Write Buffer Programming allows the system to write a maximum of **32** words in one programming operation. This results in a faster effective word programming time than the standard “word” programming algorithms. The Write Buffer Programming command sequence is initiated by first writing two unlock cycles. This is followed by a third write cycle containing the Write Buffer Load command written at the Sector Address in which programming will occur. At this point, the system writes the number of “**word locations minus 1**” that will be loaded into the page buffer at the Sector Address in which programming will occur. This tells the device how many write buffer addresses will be loaded with data and therefore when to expect the “Program Buffer to Flash” confirm command. The number of locations to program cannot exceed the size of the write buffer or the operation will abort. (Note: The number loaded = the number of locations to program minus 1. For example, if the system will program 6 address locations, then 05h should be written to the device.)

The system then writes the starting address/data combination. This starting address is the first address/data pair to be programmed, and selects the “write-buffer-page” address. All subsequent address/data pairs **must** fall within the “selected-write-buffer-page”, and be loaded in sequential order.

The “write-buffer-page” is selected by using the addresses $A_{MAX}-A5$ where A_{MAX} is A21 for S29VS/XS064R.

The “write-buffer-page” addresses **must be the same for all address/data pairs loaded into the write buffer**. (This means Write Buffer Programming **cannot** be performed across multiple “write-buffer-pages”. This also means that Write Buffer Programming **cannot** be performed across multiple sectors. If the system attempts to load programming data outside of the selected “write-buffer-page”, the operation will ABORT.)

After writing the Starting Address/Data pair, the system then writes the remaining address/data pairs into the write buffer. Write buffer locations must be loaded in sequential order.

Note that if a Write Buffer address location is loaded multiple times, the “address/data pair” counter **will be decremented for every data load operation**. Also, the **last data loaded** at a location before the “Program Buffer to Flash” confirm command will be programmed into the device. It is the software’s responsibility to comprehend ramifications of loading a write-buffer location more than once. The counter decrements **for each data load operation, NOT for each unique write-buffer-address location**.

Once the specified number of write buffer locations have been loaded, the system must then write the “Program Buffer to Flash” command at the Sector Address. Any other address/data write combinations will abort the Write Buffer Programming operation. The device will then “go busy”. The Data Bar polling techniques should be used while monitoring the **last address location loaded into the write buffer**. This eliminates the need to store an address in memory because the system can load the last address location, issue the program confirm command at the last loaded address location, and then data bar poll at that same address. DQ7, DQ6, DQ5, DQ2, and DQ1 should be monitored to determine the device status during Write Buffer Programming.

The write-buffer “embedded” programming operation can be suspended using the standard suspend/resume commands. Upon successful completion of the Write Buffer Programming operation, the device will return to READ mode.

The Write Buffer Programming Sequence can be ABORTED under any of the following conditions:

- Load a value that is greater than the page buffer size during the “Number of Locations to Program” step.
- Write to an address in a sector different than the one specified during the “Write-Buffer-Load” command.
- Write an Address/Data pair to a different write-buffer-page than the one selected by the “Starting Address” during the “write buffer data loading” stage of the operation.
- Write data other than the “Confirm Command” after the specified number of “data load” cycles.

The ABORT condition is indicated by $DQ1 = 1$, $DQ7 = DATA\#$ (for the “last address location loaded”), $DQ6 = TOGGLE$, $DQ5 = 0$. This indicates that the Write Buffer Programming Operation was ABORTED. **Note: The Secured Silicon sector, autoselect, and CFI functions are unavailable when a program operation is in progress.**

Use of the write buffer is strongly recommended for programming when multiple words are to be programmed. Write buffer programming is allowed in any sequence of memory (or address) locations. These flash devices are capable of handling multiple write buffer programming operations on the same write buffer address range without intervening erases. However, programming the same word address multiple times without intervening erases requires a modified programming method. Please contact your local Cypress representative for details.

10.11 Autoselect Mode

The autoselect mode provides manufacturer and device identification, and sector protection verification, through identifier codes output from the internal register (which is separate from the memory array) on DQ15-DQ0. This mode is primarily intended for programming equipment to automatically match a device to be programmed with its corresponding programming algorithm. The autoselect codes can also be accessed in-system.

When verifying sector protection, the sector address must appear on the appropriate highest order address bits. The remaining address bits are don't care. When all necessary bits have been set as required, the programming equipment may then read the corresponding identifier code on DQ15-DQ0. The autoselect codes can also be accessed in-system through the command register. The command sequence is illustrated in [Table 26 on page 46](#). *Note that if a Bank Address (BA) on address bits A21, A20, and A19 for the VS/XS064R are asserted during the third write cycle of the autoselect command, the host system can read autoselect data that bank and then immediately read array data from the other bank, without exiting the autoselect mode.*

To access the autoselect codes, the host system must issue the autoselect command via the command register, as shown in [Table 26 on page 46](#).

10.12 Sector Protection

The device features sector protection, which can disable both the program and erase operations in certain sectors.

Dynamic Protection Bit (DYB)

DYB is a security feature used to protect individual sectors from being programmed or erased inadvertently. It is a volatile protection bit and is assigned to each sector. Upon power-up, the contents of all DYBs are cleared (erased to "1"). Each DYB can be individually modified through the DYB Set Command or the DYB Clear Command.

The Protection Status for a particular sector is determined by the status of the DYB relative to that sector. By issuing the DYB Set or Clear command sequences, the DYBs will be set (programmed to "0") or cleared (erased to "1"), thus placing each sector in the protected or unprotected state respectively. These states are the so-called Dynamic Locked or Unlocked states due to the fact that they can switch back and forth between the protected and unprotected states. This feature allows software to easily protect sectors against inadvertent changes yet does not prevent the easy removal of protection when changes are needed. The DYBs may be set (programmed to "0") or cleared (erased to "1") as often as needed.

When the parts are first shipped, upon power up or reset, the DYBs are cleared (erased to "1").

Note: Dynamic protection bits revert back to their default values after programming device's "Lock Register."

The sectors in the dynamic state are all unprotected. If there is a need to protect some of them, a simple DYB Set command sequence is all that is necessary. The DYB Set or Clear command for the dynamic sectors signify protected or unprotected state of the sectors respectively.

If the user attempts to program or erase a protected sector, the device ignores the command and returns to read mode. A program or erase command to a protected sector enables status polling and returns to read mode without having modified the contents of the protected sector.

The programming of the DYB for a given sector can be verified by writing individual status read commands DYB Status.

10.13 Hardware Data Protection Mode

The device offers one type of data protection at the sector level:

- When V_{PP} is at V_{IL} , all sectors are locked

10.14 Low VCC Write Inhibit

When V_{CC} is less than V_{LKO} , the device does not accept any write cycles. This protects data during V_{CC} power-up and power-down. The command register and all internal program/erase circuits are disabled, and the device resets to reading array data. Subsequent writes are ignored until V_{CC} is greater than V_{LKO} . The system must provide the proper signals to the control inputs to prevent unintentional writes when V_{CC} is greater than V_{LKO} .

10.15 Write Pulse "Glitch" Protection

Noise pulses of less than t_{WEP} on WE# do not initiate a write cycle.

10.16 Logical Inhibit

Write cycles are inhibited by holding any one of $OE\# = V_{IL}$, $CE\# = V_{IH}$ or $WE\# = V_{IH}$. To initiate a write cycle, $CE\#$ and $WE\#$ must be a logical zero while $OE\#$ is a logical one.

Power-Up Write Inhibit

If $WE\# = CE\# = RESET\# = V_{IL}$ and $OE\# = V_{IH}$ during power up, the device does not accept commands on the rising edge of $WE\#$. The internal state machine is automatically reset to the read mode on power-up.

10.17 Lock Register

The Lock Register consists of one bit. This bit is non-volatile and read-only. DQ15-DQ1 are reserved and are undefined.

Table 14. Lock Register

DQ15-1	DQ0
Undefined	Secured Silicon Sector Protection Bit

Note:

When the device lock register is programmed (the Secured Silicon lock bit is programmed) all DYBs revert to the power-on default state.

10.18 Standby Mode

When the system is not reading or writing to the device, it can place the device in the standby mode. In this mode, current consumption is greatly reduced, and the outputs are placed in the high impedance state, independent of the $OE\#$ input.

The device enters the CMOS standby mode when the $CE\#$ and $RESET\#$ inputs are both held at V_{CC} . The device requires standard access time (t_{CE}) for read access when the device is in either of these standby modes, before it is ready to read data.

If the device is deselected during erasure or programming, the device draws active current until the operation is completed.

I_{CC3} in [Table 29 on page 55](#) represents the standby current specification.

10.19 Automatic Sleep Mode

The automatic sleep mode minimizes flash device energy consumption. The device automatically enters this mode when addresses and clock remain stable for $t_{ACC} + 20$ ns. The automatic sleep mode is independent of the $CE\#$, $WE\#$, and $OE\#$ control signals. Standard address access timings provide new data when addresses are changed. While in sleep mode, output data is latched and always available to the system. I_{CC4} in [Table 29 on page 55](#) represents the automatic sleep mode current specification.

10.20 RESET#: Hardware Reset Input

The $RESET\#$ input provides a hardware method of resetting the device to reading array data. When $RESET\#$ is driven low for at least a period of t_{RP} , the device immediately terminates any operation in progress, tristates all outputs, and ignores all read/write commands for the duration of the $RESET\#$ pulse. The device also resets the internal state machine to reading array data. The operation that was interrupted should be reinitiated once the device is ready to accept another command sequence, to ensure data integrity.

Current is reduced for the duration of the $RESET\#$ pulse. When $RESET\#$ is held at V_{SS} , the device draws CMOS standby current (I_{CC4}). If $RESET\#$ is held at V_{IL} but not within V_{SS} , the standby current will be greater.

$RESET\#$ may be tied to the system reset circuitry. A system reset would thus also reset the flash memory, enabling the system to read the boot-up firmware from the flash memory.

Refer to the [AC Characteristics on page 57](#) tables for $RESET\#$ parameters and to [Figure 17 on page 61](#) for the timing diagram.

V_{CC} Power-up and Power-down Sequencing

The device imposes no restrictions on V_{CC} power-up or power-down sequencing. Asserting $RESET\#$ to V_{IL} is required during the entire V_{CC} power sequence until the respective supplies reach their operating voltages. Once V_{CC} attains its operating voltage, de-assertion of $RESET\#$ to V_{IH} is permitted.

10.21 Output Disable Mode

When the OE# input is at V_{IH} , output from the device is disabled. The outputs are placed in the high impedance state.

10.22 Secured Silicon Sector Flash Memory Region

The Secured Silicon Sector feature provides a flash memory region that enables permanent part identification through an Electronic Serial Number (ESN). The Secured Silicon Sector is 256 words in length. All reads outside of the 256 word address range will return non-valid data. The Factory Indicator Bit (DQ7) is used to indicate whether or not the Factory Secured Silicon Sector is locked when shipped from the factory. The Customer Indicator Bit (DQ6) is used to indicate whether or not the Customer Secured Silicon Sector is locked when shipped from the factory. The Factory Secured Silicon bits are permanently set at the factory and cannot be changed, which prevents cloning of a factory locked part. This ensures the security of the ESN and customer code once the product is shipped to the field.

Cypress offers the device with a Factory Secured Silicon Sector that is locked and a Customer Secured Silicon Sector that is either locked or is lockable. The Factory Secured Silicon Sector is always protected when shipped from the factory, and has the Factory Indicator Bit (DQ7) permanently set to a “1”. The Customer Secured Silicon Sector is shipped unprotected, allowing customers to utilize that sector in any manner they choose. Once the Customer Secured Silicon Sector area is protected, the Customer Indicator Bit will be permanently set to “1”.

The system accesses the Secured Silicon Sector through a command sequence (see [Enter/Exit Secured Silicon Sector Command Sequence on page 39](#)). After the system has written the Enter Secured Silicon Sector command sequence, it may read the Secured Silicon Sector by using the addresses normally occupied by sector SA0 of the memory array. This mode of operation continues until the system issues the Exit Secured Silicon Sector command sequence, or until power is removed from the device. While Secured Silicon Sector access is enabled, Memory Array read access, program operations, and erase operations to all sectors other than SA0 are also available. On power-up, or following a hardware reset, the device reverts to sending commands to the normal address space.

Factory Secured Silicon Sector

The Factory Secured Silicon Sector is protected when the device is shipped from the factory. The Factory Secured Silicon Sector cannot be modified in any way. The Factory Secured Silicon Sector is located at addresses 000000h–00007Fh and is unprogrammed by default.

The device is available pre programmed with one of the following:

- A random, secure ESN only within the Factory Secured Silicon Sector.
- Customer code within the Customer Secured Silicon Sector through the Cypress programming services.
- Both a random, secure ESN and customer code through the Cypress programming services.

Table 15. Secured Silicon Sector Addresses

Sector	Sector Size	Address Range
Customer	128 words	000080h-0000FFh
Factory	128 words	000000h-00007Fh

Customers may opt to have their code programmed by Cypress through the Cypress programming services. Cypress programs the customer’s code, with or without the random ESN. The devices are then shipped from Cypress’s factory with the Factory Secured Silicon Sector and Customer Secured Silicon Sector permanently locked. Contact a Cypress representative for details on using Cypress’s programming services.

Customer Secured Silicon Sector

If the security feature is not required, the Customer Secured Silicon Sector can be treated as an additional flash memory space. The Customer Secured Silicon Sector can be read any number of times, but can be programmed and locked only once. Note that the accelerated programming (V_{PP}) function is not available when programming the Customer Secured Silicon Sector, but reading the first Bank through the last bank is available. The Customer Secured Silicon Sector is located at addresses 000080h–0000FFh.

The Customer Secured Silicon Sector area can be protected by writing the Secured Silicon Sector Protection Bit Lock command sequence.

Once the Customer Secured Silicon Sector is locked and verified, the system must write the Exit Secured Silicon Sector Region command sequence to return to reading and writing SA0 in the memory array.

The Customer Secured Silicon Sector lock must be used with caution since, once locked, there is no procedure available for unlocking the Customer Secured Silicon Sector area and none of the bits in the Customer Secured Silicon Sector memory space can be modified in any way.

11. Common Flash Memory Interface (CFI)

The Common Flash Interface (CFI) specification outlines device and host system software interrogation handshake, which allows specific vendor-specified software algorithms to be used for entire families of devices. Software support can then be device-independent, JEDEC ID-independent, and forward- and backward-compatible for the specified flash device families. Flash vendors can standardize their existing interfaces for long-term compatibility.

This device enters the CFI Query mode when the system writes the CFI Query command, 98h, to address 55h any time the device is ready to read array data. The system can read CFI information at the addresses given in Tables [Table 17](#)–[Table 20](#). To terminate reading CFI data, the system must write the reset command.

For further information, please refer to the CFI Specification (see JEDEC publications JEP137-A and JESD68.01). Please contact your sales office for copies of these documents.

Table 16. ID/CFI Data

	Word Offset Address	DATA	Description
		VS/XS064R	
Device Identification	(SA) + 00h	0001h	Cypress Manufacturer ID
	(SA) + 01h	007Eh (top/bottom)	Device ID, Word 1 Extended ID address code. Indicates an extended two byte device ID is located at byte address 1Ch and 1Eh.
	(SA) + 02h	0001h-Locked, 0000h-Unlocked	
	(SA) + 03h	0000h	Reserved
	(SA) + 04h	Reserved	Reserved
	(SA) + 05h	Reserved	Reserved
	(SA) + 06h	0010h	ID Version
	(SA) + 07h	00BFh	Indicator Bits: DQ15 - DQ8 = Reserved DQ7 - Factory Lock Bit: 1 = Locked; 0 = Not Locked DQ6 - Customer Lock Bit: 1 = Locked; 0 = Not locked DQ5 - DQ0 = Reserved
	(SA) + 08h	Reserved	Reserved
	(SA) + 09h	Reserved	Reserved
	(SA) + 0Ah	Reserved	Reserved
	(SA) + 0Bh	Reserved	Reserved
	(SA) + 0Ch	00F2h	Lower Software Bits Bit 0 - Status Register Support 1 = Status Register Supported 0 = Status register not Supported Bit 1 - DQ Polling Support 1 = DQ bits polling supported 0 = DQ bits polling not supported Bit 3-2 - Command Set Support 11 = Reserved 10 = Reserved 01 = Reduced Command Set 00 = Old Command Set Bit 4-F - Reserved
	(SA) + 0Dh	Reserved	Upper Software Bits Reserved
(SA) + 0Eh	0061h (top/bottom)	High Order Device ID, Word 2	
(SA) + 0Fh	0001h (top) 0002h (bottom)	Low Order Device ID, Word 3	

Table 17. CFI Query Identification String

Addresses	Data	Description
	VS/XS064R	
10h 11h 12h	0051h 0052h 0059h	Query Unique ASCII string "QRY"
13h 14h	0002h 0000h	Primary OEM Command Set
15h 16h	0040h 0000h	Address for Primary Extended Table
17h 18h	0000h 0000h	Alternate OEM Command Set (00h = none exists)
19h 1Ah	0000h 0000h	Address for Alternate OEM Extended Table (00h = none exists)

Table 18. System Interface String

Addresses	Data	Description
	VS/XS064R	
1Bh	0017h	V _{CC} Min. (write/erase) D7–D4: volt, D3–D0: 100 millivolt
1Ch	0019h	V _{CC} Max. (write/erase) D7–D4: volt, D3–D0: 100 millivolt
1Dh	0000h	V _{PP} Min. voltage (00h = no V _{PP} pin present) Refer to 4Dh
1Eh	0000h	V _{PP} Max. voltage (00h = no V _{PP} pin present) Refer to 4Eh
1Fh	0008h	Typical timeout per single byte/word write 2 ^N μs
20h	0009h	Typical timeout for Min. size buffer write 2 ^N μs (00h = not supported)
21h	000Ah	Typical timeout per individual block erase 2 ^N ms
22h	0011h	Typical timeout for full chip erase 2 ^N ms (00h = not supported)
23h	0003h	Max. timeout for byte/word write 2 ^N times typical
24h	0003h	Max. timeout for buffer write 2 ^N times typical
25h	0003h	Max. timeout per individual block erase 2 ^N times typical
26h	0003h	Max. timeout for full chip erase 2 ^N times typical (00h = not supported)

Table 19. Device Geometry Definition

Addresses	Data	Description	
	VS/XS064R		
27h	0017h	Device Size = 2 ^N byte	
28h	0001h	Flash Device Interface description (refer to CFI publication 100)	
29h	0000h		
2Ah	0006h	Max. number of bytes in multi-byte write = 2 ^N (00h = not supported)	
2Bh	0000h		
2Ch	0002h	Number of Erase Block Regions within device	
2Dh	007Eh (top boot)	Erase Block Region 1 Information (refer to the CFI specification or CFI publication 100)	
	0003h (bottom boot)		
2Eh	0000h (top boot)		
	0000h (bottom boot)		
2Fh	0000h (top boot)		
	0040h (bottom boot)		
30h	0001h (top boot)		
	0000h (bottom boot)		
31h	0003h (top boot)		Erase Block Region 2 Information
	007Eh (bottom boot)		
32h	0000h (top boot)		
	0000h (bottom boot)		
33h	0040h (top boot)		
	0000h (bottom boot)		
34h	0000h (top boot)		
	0001h (bottom boot)		
35h	00FFh	Erase Block Region 3 Information	
36h	00FFh		
37h	00FFh		
38h	00FFh		
39h	00FFh	Erase Block Region 4 Information	
3Ah	00FFh		
3Bh	00FFh		
3Ch	00FFh		

Table 20. Primary Vendor-Specific Extended Query

Addresses	Data	Description
	VS/XS064R	
40h	0050h	Query-unique ASCII string "PRI"
41h	0052h	
42h	0049h	
43h	0031h	Major version number, ASCII
44h	0034h	Minor version number, ASCII
45h	0020h	Address Sensitive Unlock (Bits 1-0) 0 = Required, 1 = Not Required Silicon Revision Number (Bits 7-2)
46h	0002h	Erase Suspend 0 = Not Supported, 1 = To Read Only, 2 = To Read & Write
47h	0001h	Sector Protect 0 = Not Supported, X = Number of sectors in per group
48h	0000h	Sector Temporary Unprotect 00 = Not Supported, 01 = Supported
49h	0008h	Sector Protect/Unprotect scheme 08 = Advanced Sector Protection
4Ah	0020h	Simultaneous Operation Number of Sectors in all banks except boot bank
4Bh	0001h	Burst Mode Type 00 = Not Supported, 01 = Supported
4Ch	0000h	Page Mode 00 = Not Supported, 01 = Supported
4Dh	0085h	V _{PP} (Acceleration) Supply Minimum 00h = Not Supported, D7-D4: Volt, D3-D0: 100 mV
4Eh	0095h	V _{PP} (Acceleration) Supply Maximum 00h = Not Supported, D7-D4: Volt, D3-D0: 100 mV
4Fh	0003h (top boot)	Top/Bottom Boot Sector Flag 0001h = Top/Middle Boot Device, 0002h = Bottom Boot Device, 03h = Top Boot Device
	0002h (bottom boot)	
50h	0001h	Program Suspend. 00h = not supported
51h	0000h	Unlock Bypass 00 = Not Supported, 01 = Supported
52h	0008h	Secured Silicon Sector (Customer OTP Area) Size 2 ^N bytes
53h	000Eh	Hardware Reset Low Time-out during an embedded algorithm to read more mode Maximum 2 ^N ns
54h	000Eh	Hardware Reset Low Time-out during an embedded algorithm to read more mode Maximum 2 ^N ns
55h	0005h	Erase Suspend Time-out Maximum 2 ^N ns
56h	0005h	Program Suspend Time-out Maximum 2 ^N ns
57h	0004h	Bank Organization: X = Number of banks
58h	0020h (top boot)	Bank 0 Region Information. X = Number of sectors in banks
	0023h (bottom boot)	
59h	0020h	Bank 1 Region Information. X = Number of sectors in banks
5Ah	0020h	Bank 2 Region Information. X = Number of sectors in banks
5Bh	0023h (top boot)	Bank 3 Region Information. X = Number of sectors in banks
	0020h (bottom boot)	

12. Command Definitions

Writing specific address and data commands or sequences into the command register initiates device operations. [Table 26 on page 46](#) defines the valid register command sequences. Writing **incorrect address and data values** or writing them in the **improper sequence** resets the device to reading array data.

All addresses are latched on the rising edge of AVD#. All data is latched on the rising edge of WE#. Refer to [AC Characteristics on page 57](#) for timing diagrams.

12.1 Reading Array Data

The device is automatically set to reading array data after device power-up. No commands are required to retrieve data in asynchronous mode. Each bank is ready to read array data after completing an Embedded Program or Embedded Erase algorithm.

After the device accepts an Erase Suspend command, the corresponding bank enters the erase-suspend-read mode, after which the system can read data from any non-erase-suspended sector. After completing a programming operation in the Erase Suspend mode, the system may once again read array data with the same exception. See [Erase Suspend/Eraser Resume Commands on page 44](#) for more information.

After the device accepts a Program Suspend command, the corresponding bank enters the program-suspend-read mode, after which the system can read data from any non-program-suspended sector within the same bank.

The system *must* issue the reset command to return a bank to the read (or erase-suspend-read) mode if DQ5 goes high during an active program or erase operation, or if the bank is in the autoselect mode.

See also [Versatile IO™ \(V_{IO}\) Control on page 22](#) and [Synchronous \(Burst\) Read Mode and Configuration Register on page 22 in Device Bus Operations on page 21](#) for more information. The [Asynchronous Read](#) and [Synchronous/Burst Read](#) tables provide the read parameters, and [Figure 15 on page 59](#) and [Figure 16 on page 60](#) show the timings.

12.2 Set Configuration Register Command Sequence

The device uses a configuration register to set the various burst parameters: number of wait states, burst read mode, RDY configuration, and synchronous mode active. The configuration register must be set before the device will enter burst mode.

The configuration register is loaded with a four-cycle command sequence. The first two cycles are standard unlock sequences. On the third cycle, the data should be D0h and address bits should be 555h. During the fourth cycle, the configuration code should be entered onto the data bus with the address bus set to address 000h. Once the data has been programmed into the configuration register, a software reset command is required to set the device into the correct state. The device will power up or after a hardware reset with the default setting, which is in asynchronous mode. The register must be set before the device can enter synchronous mode. The configuration register can not be changed during device operations (program, erase, or sector lock).

12.3 Read Configuration Register Command Sequence

The configuration register can be read with a four-cycle command sequence. The first two cycles are standard unlock sequences. On the third cycle, the data should be C6h and address bits should be 555h. During the fourth cycle, the configuration code should be read out of the data bus with the address bus set to address 000h. Once the data has been read from the configuration register, a software reset command is required to set the device into the correct set mode.

12.3.1 Read Mode Setting

On power-up or hardware reset, the device is set to be in asynchronous read mode. This setting allows the system to enable or disable burst mode during system operations.

12.3.2 Programmable Wait State Configuration

The programmable wait state feature informs the device of the number of clock cycles that must elapse after AVD# is driven active before data will be available. This value is determined by the input frequency of the device. **Configuration Bit CR13–CR11** determine the setting (see [Table 21](#)).

The wait state command sequence instructs the device to set a particular number of clock cycles for the initial access in burst mode. The number of wait states that should be programmed into the device is directly related to the clock frequency.

Table 21. Programmable Wait State Settings

CR13	CR12	CR11	Total Initial Access Cycles
0	0	0	Reserved
0	0	1	3
0	1	0	4
0	1	1	5
1	0	0	6
1	0	1	7 (default)
1	1	0	8
1	1	1	9

Notes:

1. Upon power-up or hardware reset, the default setting is seven wait states.
2. RDY will default to being active with data when the Wait State Setting is set to a total initial access cycle of 2.

It is recommended that the wait state command sequence be written, even if the default wait state value is desired, to ensure the device is set as expected. A hardware reset will set the wait state to the default setting.

12.3.3 Programmable Wait State

The host system should set **CR13–CR11** to 100 for a clock frequency of 66 MHz for the system/device to execute at maximum speed. [Table 22](#) describes the typical number of clock cycles (wait states) for various conditions.

Table 22. Wait States for Handshaking

Conditions at Address	Typical No. of Clock Cycles after AVD# Low	
	Clock Cycles	Frequency (Maximum MHz)
Initial address ($V_{CCQ} = 1.8\text{ V}$)	6	66
	7	80
	8	95
	9	108

12.3.4 Handshaking

For optimal burst mode performance, the host system must set the appropriate number of wait states in the flash device depending on the clock frequency.

The autoselect function allows the host system to determine whether the flash device is enabled for handshaking.

12.3.5 Burst Length Configuration

The device supports four different read modes: continuous mode, and 8 and 16 word linear with wrap around modes. A continuous sequence (default) begins at the starting address and advances the address pointer until the burst operation is complete. If the highest address in the device is reached during the continuous burst read mode, the address pointer wraps around to the lowest address.

For example, an eight-word linear read with wrap around begins on the starting address written to the device and then advances to the next 8 word boundary. The address pointer then returns to the 1st word after the previous eight word boundary, wrapping through the starting location. The sixteen linear wrap around mode operates in a fashion similar to the eight-word mode.

Table 23 shows the **CR2-CR0** and settings for the four read modes.

Table 23. Burst Length Configuration

Burst Modes	Address Bits		
	CR2	CR1	CR0
Continuous	0	0	0
8-word linear	0	1	0
16-word linear	0	1	1

Notes:

1. Upon power-up or hardware reset the default setting is continuous.
2. All other conditions are reserved.

12.3.6 Burst Wrap Around

By default, the device will perform burst wrap around with **CR3** set to a '1'. Changing the **CR3** to a '0' disables burst wrap around.

12.3.7 RDY Configuration

By default, the device is set so that the RDY pin will output V_{OH} whenever there is valid data on the outputs. The device can be set so that RDY goes active one data cycle before active data. **CR8** determines this setting; "1" for RDY active (default) with data, "0" for RDY active one clock cycle before valid data.

12.3.8 RDY Polarity

By default, the RDY pin will always indicate that the device is ready to handle a new transaction with **CR10** set to a "1". In this case, the RDY pin is active high. Changing the **CR10** to a '0' sets the RDY pin to be active low. In this case, the RDY pin will always indicate that the device is ready to handle a new transaction when low.

13. Configuration Register

Table 24 shows the address bits that determine the configuration register settings for various device functions.

Table 24. Configuration Register

CR Bit	Function	Settings (Binary)
CR15	Device Read Mode	0 = Synchronous Read Mode 1 = Asynchronous Read Mode (Default)
CR14	Reserved	0 = Default
CR13	Programmable Wait State	000 = Reserved 001 = Data is valid on the 3rd active CLK edge after addresses are latched 010 = Data is valid on the 4th active CLK edge after addresses are latched 011 = Data is valid on the 5th active CLK edge after addresses are latched 100 = Data is valid on the 6th active CLK edge after addresses are latched 101 = Data is valid on the 7th active CLK edge after addresses are latched (default) 110 = Data is valid on the 8th active CLK edge after addresses are latched 111 = Data is valid on the 9th active CLK edge after addresses are latched
CR12		
CR11		
CR10	RDY Polarity	0 = RDY signal is active low 1 = RDY signal is active high (default)
CR9	Reserved	1 = Default
CR8	RDY	0 = RDY active one clock cycle before data 1 = RDY active with data (default)
CR7	Reserved	1 = default
CR6	Reserved	1 = default
CR5	Reserved	0 = default
CR4	Reserved	0 = default
CR3	Burst Wrap Around	0 = Reserved 1 = Wrap Around Burst (default)
CR2	Burst Length	000 = Continuous (default) 010 = 8-Word Linear Burst 011 = 16-Word Linear Burst 100 = Reserved (All other bit settings are reserved)
CR1		
CR0		

Notes:

1. Device will be in the default state upon power-up or hardware reset.
2. CR3 will always equal to 1 (Wrap around mode) when CR0, CR1, CR2 = 000 (continuous Burst mode).

13.1 Reset Command

Writing the reset command resets the banks to the read or erase-suspend-read mode. Address bits are don't cares for this command.

The reset command may be written between the sequence cycles in an erase command sequence before erasing begins. This resets the bank to which the system was writing to the read mode. **Once erasure begins, however, the device ignores reset commands until the operation is complete.**

The reset command may be written between the sequence cycles in a program command sequence before programming begins. This resets the bank to which the system was writing to the read mode. If the program command sequence is written to a bank that is in the Erase Suspend mode, writing the reset command returns that bank to the erase-suspend-read mode. **Once programming begins, however, the device ignores reset commands until the operation is complete.**

The reset command may be written between the sequence cycles in an autoselect command sequence. Once in the autoselect mode, the reset command must be written to return to the read mode. If a bank entered the autoselect mode while in the Erase Suspend mode, writing the reset command returns that bank to the erase-suspend-read mode.

If DQ5 goes high during a program or erase operation, writing the reset command returns the banks to the read mode (or erase-suspend-read mode if that bank was in Erase Suspend).

Note: If DQ1 goes high during a Write Buffer Programming operation, the system must write the "Write to Buffer Abort Reset" command sequence to RESET the device to reading array data. The standard RESET command will not work. See [Table 20 on page 34](#) for details on this command sequence.

13.2 Autoselect Command Sequence

The autoselect command sequence allows the host system to access the manufacturer and device codes, and determine whether or not a sector is protected. The autoselect command sequence may be written to an address within a bank that is either in the read or erase-suspend-read mode. The autoselect command may not be written while the device is actively programming or erasing in the other bank. Autoselect does not support simultaneous operations or burst mode.

The autoselect command sequence is initiated by first writing two unlock cycles. This is followed by a third write cycle that contains the bank address and the autoselect command. The bank then enters the autoselect mode. The system may read at any address within the same bank any number of times without initiating another autoselect command sequence. The following table describes the address requirements for the various autoselect functions, and the resulting data. BA represents the bank address. The device ID is read in three cycles. During this time, other banks are still available to read the data from the memory.

The system must write the reset command to return to the read mode (or erase-suspend-read mode if the bank was previously in Erase Suspend).

13.3 Enter/Exit Secured Silicon Sector Command Sequence

The Secured Silicon Sector region provides a secured data area containing a random, eight word electronic serial number (ESN). The system can access the Secured Silicon Sector region by issuing the three-cycle Enter Secured Silicon Sector command sequence. The device continues to access the Secured Silicon Sector region until the system issues the four-cycle Exit Secured Silicon Sector command sequence. The Exit Secured Silicon Sector command sequence returns the device to normal operation. The Secured Silicon Sector is not accessible when the device is executing an Embedded Program or embedded Erase algorithm. [Table 26 on page 46](#) shows the address and data requirements for both command sequences.

13.4 Program Command Sequence

Program Command Sequence

Programming is a four-bus-cycle operation. The program command sequence is initiated by writing two unlock write cycles, followed by the program set-up command. The program address and data are written next, which in turn initiate the Embedded Program algorithm. The system is *not* required to provide further controls or timings. The device automatically provides internally generated program pulses and verifies the programmed cell margin. [Table 26 on page 46](#) shows the address and data requirements for the program command sequence.

When the Embedded Program algorithm is complete, that bank then returns to the read mode and addresses are no longer latched. The system can determine the status of the program operation by monitoring DQ7 or DQ6/DQ2. Refer to [Write Operation Status on page 48](#) for information on these status bits.

Any commands written to the device during the Embedded Program Algorithm are ignored. Note that a **hardware reset** immediately terminates the program operation. The program command sequence should be reinitiated once that bank has returned to the read mode, to ensure data integrity.

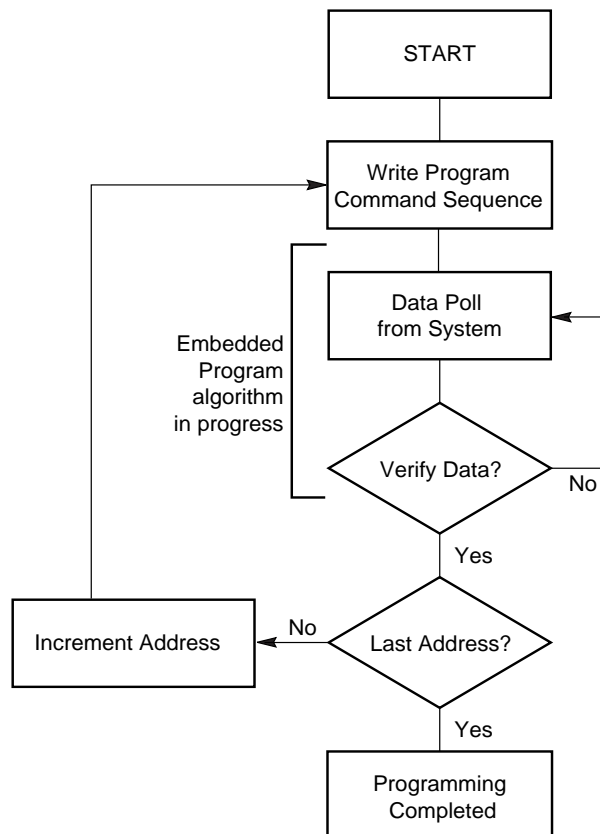
Programming is allowed in any sequence and across sector boundaries. **A bit cannot be programmed from “0” back to a “1.”** Attempting to do so may causes that bank to set DQ5 = 1 (change-up condition). However, a succeeding read will show that the data is still “0.” Only erase operations can convert a “0” to a “1.”

13.5 Accelerated Program

The device offers accelerated program operations through the V_{PP} input. The device uses the higher voltage on the V_{PP} input to accelerate the operation.

[Figure 4](#) illustrates the algorithm for the program operation. Refer to the [Erase/Program Operations](#) table in [AC Characteristics](#) for parameters, and [Figure 18 on page 63](#) for timing diagrams.

Figure 4. Program Operation



Note:

1. See [Table 26 on page 46](#) for program command sequence.

13.6 Write Buffer Programming Command Sequence

Write Buffer Programming Sequence allows for faster programming as compared to the standard Program Command Sequence. See [Table 25](#) for the program command sequence.

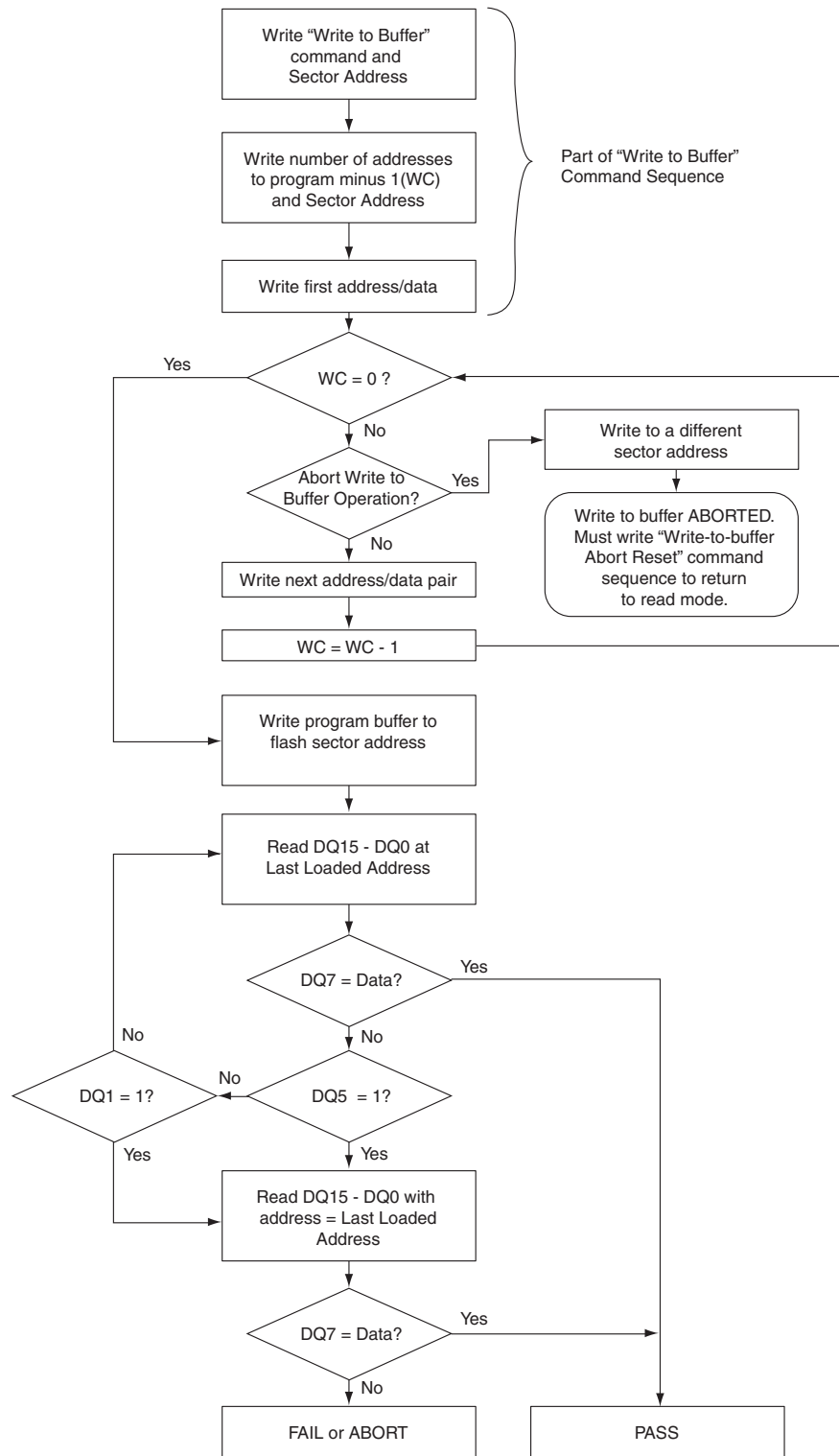
Table 25. Write Buffer Command Sequence

Sequence	Address	Data	Comment
Unlock Command 1	555	00AA	Not required in the Unlock Bypass mode
Unlock Command 2	2AA	0055	Same as above
Write Buffer Load	Starting Address	0025h	
Specify the Number of Program Locations	Starting Address	Word Count	Number of locations to program minus 1
Load 1st data word	Starting Address	Program Data	All addresses must be within write-buffer-page boundaries, but do not have to be loaded in any order
Load next data word	Write Buffer Location	Program Data	Same as above
...	Same as above
Load last data word	Write Buffer Location	Program Data	Same as above
Write Buffer Program Confirm	Sector Address	0029h	This command must follow the last write buffer location loaded, or the operation will ABORT
Device goes busy			
Status monitoring through DQ pins (Perform Data Bar Polling on the Last Loaded Address)			

Note:

1. Write buffer addresses must be loaded in sequential order.

Figure 5. Write Buffer Programming Operation



13.7 Chip Erase Command Sequence

Chip erase is a six bus cycle operation. The chip erase command sequence is initiated by writing two unlock cycles, followed by a set-up command. Two additional unlock write cycles are then followed by the chip erase command, which in turn invokes the Embedded Erase algorithm. The device does *not* require the system to preprogram prior to erase. The Embedded Erase algorithm automatically preprograms and verifies the entire memory for an all zero data pattern prior to electrical erase. The system is not required to provide any controls or timings during these operations. [Table 26 on page 46](#) shows the address and data requirements for the chip erase command sequence.

When the Embedded Erase algorithm is complete, that bank returns to the read mode and addresses are no longer latched. The system can determine the status of the erase operation by using DQ7 or DQ6/DQ2. Refer to [Write Operation Status on page 48](#) for information on these status bits.

Any commands written during the chip erase operation are ignored. However, note that a **hardware reset** immediately terminates the erase operation. If that occurs, the chip erase command sequence should be reinitiated once that bank has returned to reading array data, to ensure data integrity.

13.8 Sector Erase Command Sequence

Sector erase in normal mode is a six bus cycle operation. The sector erase command sequence is initiated by writing two unlock cycles, followed by a set-up command. Two additional unlock cycles are written, and are then followed by the address of the sector to be erased, and the sector erase command. [Table 26 on page 46](#) shows the address and data requirements for the sector erase command sequence.

The device does *not* require the system to preprogram prior to erase. The Embedded Erase algorithm automatically programs and verifies the entire memory for an all zero data pattern prior to electrical erase. The system is not required to provide any controls or timings during these operations.

The system can monitor DQ3 to determine if the sector erase timer has timed out (See the section on DQ3: Sector Erase start timeout state indicator.). The time-out begins from the rising edge of the final WE# pulse in the command sequence.

When the Embedded Erase algorithm is complete, the bank returns to reading array data and addresses are no longer latched. Note that while the Embedded Erase operation is in progress, the system can read data from the non-erasing banks. The system can determine the status of the erase operation by reading DQ7 or DQ6/ DQ2 in the erasing bank. Refer to [Write Operation Status on page 48](#) for information on these status bits.

Once the sector erase operation has begun, only the Erase Suspend command is valid. All other commands are ignored. However, note that a **hardware reset** immediately terminates the erase operation. If that occurs, the sector erase command sequence should be reinitiated once that bank has returned to reading array data, to ensure data integrity.

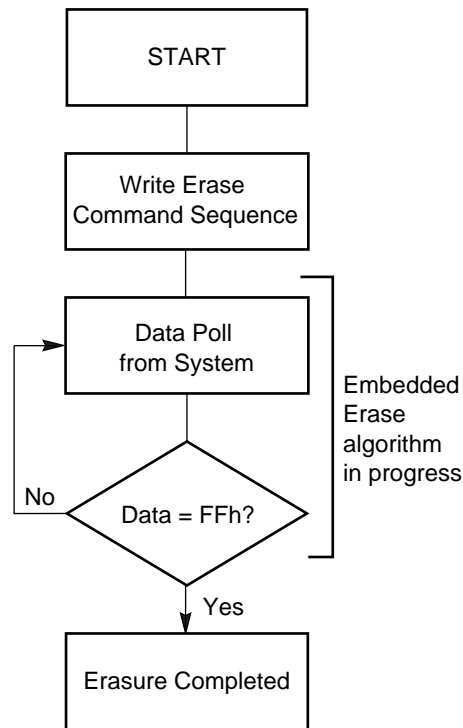
Accelerated Sector Erase

The device offers accelerated sector erase operation through the V_{PP} function. This method of erasing sectors is faster than the standard sector erase command sequence. **The accelerated sector erase function must not be used more than 100 times per sector.** In addition, accelerated sector erase should be performed at room temperature ($30^{\circ}\text{C} \pm 10^{\circ}\text{C}$).

The following procedure is used to perform accelerated sector erase:

1. Sectors to be erased must be DYB cleared. All sectors that remain locked will not be erased.
2. Apply 9V to the V_{PP} input. This voltage must be applied at least 1 μs before executing [Step 3](#).
3. Issue the standard chip erase command.
4. Monitor status bits DQ2/DQ6 or DQ7 to determine when erasure is complete, just as in the standard erase operation. See [Write Operation Status on page 48](#) for further details.
5. Lower V_{PP} from 9V to V_{CC} .

Figure 6. Erase Operation



Note:
See the section on DQ3 for information on the sector erase start timeout state indicator.

13.9 Erase Suspend/Erase Resume Commands

The Erase Suspend command, B0h, allows the system to interrupt a sector erase operation and then read data from, program data to, any sector not selected for erasure. The system may also lock or unlock any sector while the erase operation is suspended. **The system must not write the sector lock/unlock command to sectors selected for erasure.** The bank address is required when writing this command. This command is valid only during the sector erase operation. The Erase Suspend command is ignored if written during the chip erase operation or Embedded Program algorithm.

When the Erase Suspend command is written during the sector erase operation, the device requires a maximum of t_{ESL} , erase suspend latency, to suspend the erase operation. However, when the Erase Suspend command is written during the sector erase time-out, the device immediately terminates the time-out period and suspends the erase operation.

After the erase operation has been suspended, the bank enters the erase-suspend-read mode. The system can read data from or program data to any sector not selected for erasure. (The device “erase suspends” all sectors selected for erasure.) The system may also lock or unlock any sector while in the erase-suspend-read mode. Reading at any address within erase-suspended sectors produces status information on DQ7–DQ0. The system can use DQ7, or DQ6 and DQ2 together, to determine if a sector is actively erasing or is erase-suspended. Refer to [Write Operation Status on page 48](#) for information on these status bits.

After an erase-suspended program operation is complete, the bank returns to the erase-suspend-read mode. The system can determine the status of the program operation using the DQ7 or DQ6 status bits, just as in the standard program operation. Refer to [Write Operation Status on page 48](#) for more information.

In the erase-suspend-read mode, the system can also issue the autoselect command sequence. Refer to the Autoselect Functions and Autoselect Command Sequence sections for details.

To resume the sector erase operation, the system must write the Erase Resume command. The bank address of the erase-suspended bank is required when writing this command. Further writes of the Resume command are ignored. Another Erase Suspend command can be written after the chip has resumed erasing.

13.10 Program Suspend/Program Resume Commands

The Program Suspend command allows the system to interrupt a embedded programming operation or a “Write to Buffer” programming operation so that data can read from any non-suspended sector. When the Program Suspend command is written during a programming process, the device halts the programming operation within t_{PSL} , program suspend latency, and updates the status bits. Addresses are defined when writing the Program Suspend command.

After the programming operation has been suspended, the system can read array data from any non-suspended sector. The Program Suspend command may also be issued during a programming operation while an erase is suspended. In this case, data may be read from any addresses not in Erase Suspend or Program Suspend. If a read is needed from the Secured Silicon Sector area (One Time Program area), then user must use the proper command sequences to enter and exit this region.

The system may also write the autoselect command sequence when the device is in Program Suspend mode. The device allows reading autoselect codes in the suspended sectors, since the codes are not stored in the memory array. When the device exits the autoselect mode, the device reverts to Program Suspend mode, and is ready for another valid operation. See [Autoselect Command Sequence on page 39](#) for more information.

After the Program Resume command is written, the device reverts to programming. The system can determine the status of the program operation using the DQ7 or DQ6 status bits, just as in the standard program operation. See [Write Operation Status on page 48](#) for more information.

The system must write the Program Resume command (address bits are “don’t care”) to exit the Program Suspend mode and continue the programming operation. Further writes of the Program Resume command are ignored. Another Program Suspend command can be written after the device has resume programming.

13.11 Volatile Sector Protection Command Set

The Volatile Sector Protection Command Set permits the user to set the Dynamic Protection Bit (DYB), clear the Dynamic Protection Bit (DYB), and read the logic state of the Dynamic Protection Bit (DYB).

The **Volatile Sector Protection Command Set Entry** command sequence must be issued prior to any of the commands listed following to enable proper command execution.

Note that issuing the **Volatile Sector Protection Command Set Entry** command disables reads and writes for the bank selected with the command. Reads for other banks excluding the selected bank are allowed.

- DYB Set Command
- DYB Clear Command
- DYB Status Read Command

The DYB Set/Clear command is used to set or clear a DYB for a given sector. The high order address bits (Amax-A13 for VS/XS064R) are issued at the same time as the code 00h or 01h on DQ7-DQ0. All other DQ data bus pins are ignored during the data write cycle. The DYBs are modifiable at any time. The DYBs are set at power-up or hardware reset.

The programming state of the DYB for a given sector can be verified by writing a DYB Status Read Command to the device.

Note: The bank entered during entry is the active bank. Take for example the active bank is BA0. Any reads in BA0 will result in status reads of the DYB bit. If the user wants to set (programmed to “0”) in a different bank other than the active bank, say for example BA5, then the active bank switches from BA0 to BA5. Reading in BA5 will result in status read of the bit whereas reading in BA0 will result in true data.

The **Volatile Sector Protection Command Set Exit** command must be issued after the execution of the commands listed previously to reset the device to read mode.

Note that issuing the **Volatile Sector Protection Command Set Exit** command re-enables reads and writes for the bank selected.

Table 26. Command Definitions

Command Sequence (Notes)		Cycles	Bus Cycles (Notes 1–6)													
			First		Second		Third		Fourth		Fifth		Sixth		Seventh	
			Addr	Data	Addr	Data	Addr	Data	Addr	Data	Addr	Data	Addr	Data	Addr	Data
Asynchronous Read ([7])		1	RA	RD												
Reset [8]		1	XXX	F0												
Autoselect [9]	Manufacturer ID	4	555	AA	2AA	55	(BA) 555	90	(BA) X00	0001						
	Device ID	6	555	AA	2AA	55	(BA) 555	90	(BA) X01	[10]	(BA) X0E	[10]	(BA) X0F	[10]		
	Indicator Bits [11]	4	555	AA	2AA	55	(BA) 555	90	(BA) X07	[11]						
	Revision ID	4	555	AA	2AA	55	(BA) 555	90	(BA) X03							
CFI [14]		1	55	98												
Program		4	555	AA	2AA	55	555	A0	PA	PD						
Write to Buffer [15]		6	555	AA	2AA	55	SA	25	SA	WC	PA	PD	WBL	PD		
Program Buffer to Flash		1	SA	29												
Write to Buffer Abort Reset [16]		3	555	AA	2AA	55	555	F0								
Chip Erase		6	555	AA	2AA	55	555	80	555	AA	2AA	55	555	10		
Sector Erase		6	555	AA	2AA	55	555	80	555	AA	2AA	55	SA	30		
Erase Suspend / Program Suspend [12]		1	BA	B0												
Erase Resume / Program Resume [13]		1	BA	30												
Set Configuration Register [19]		4	555	AA	2AA	55	555	D0	X00	CR						
Read Configuration Register		4	555	AA	2AA	55	555	C6	X00	CR						
Lock Register Command Set Definitions																
Lock	Lock Register Command Set Entry	3	555	AA	2AA	55	555	40								
	Lock Register Bits Program	2	XX	A0	00	data										
	Lock Register Bits Read	1	(BA0) 00	data												
	Lock Register Command Set Exit [18]	2	XX	90	XX	00										

Table 26. Command Definitions (Continued)

Command Sequence (Notes)		Cycles	Bus Cycles (Notes 1–6)													
			First		Second		Third		Fourth		Fifth		Sixth		Seventh	
			Addr	Data	Addr	Data	Addr	Data	Addr	Data	Addr	Data	Addr	Data	Addr	Data
Secured Silicon Sector Command Definitions																
Secured Silicon Sector	Secured Silicon Sector Entry [17]	3	555	AA	2AA	55	555	88								
	Secured Silicon Sector Program	2	XX	A0	PA	data										
	Secured Silicon Sector Read	1	RA	data												
	Secured Silicon Sector Exit	4	555	AA	2AA	55	555	90	XX	00						
Volatile Sector Protection Command Set Definitions																
DYB	Volatile Sector Protection Command Set Entry [17]	3	555	AA	2AA	55	(BA) 555	E0								
	DYB Set	2	XX	A0	(BA) SA	00										
	DYB Clear	2	XX	A0	(BA) SA	01										
	DYB Status Read	1	(BA) SA	RD(0)												
	Volatile Sector Protection Command Set Exit	2	XX	90	XX	00										

Legend:

X = Don't care

RA = Address of the memory location to be read.

RD = Data read from location RA during read operation.

PA = Address of the memory location to be programmed. Addresses latch on the falling edge of the WE# or CE# pulse, whichever happens later.

PD = Data to be programmed at location PA. Data latches on the rising edge of WE# or CE# pulse, whichever happens first.

PD(0) = Secured Silicon Sector Lock Bit. PD(0), or bit[0].

PD(3) = Protection Mode OTP Bit. PD(3) or bit[3].

SA = Address of the sector to be verified (in autoselect mode) or erased. SA includes BA. Address bits A_{max} - A13 uniquely select any sector.

BA = Address of the bank A21-A19.

CR = Configuration Register set by data bits D15-D0.

RD(0) = DQ0 protection indicator bit. If protected, DQ0 = 0, if unprotected, DQ0 = 1.

RD(1) = DQ1 protection indicator bit. If protected, DQ1 = 0, if unprotected, DQ1 = 1.

RD(2) = DQ2 protection indicator bit. If protected, DQ2 = 0, if unprotected, DQ2 = 1.

RD(4) = DQ4 protection indicator bit. If protected, DQ4 = 0, if unprotected, DQ4 = 1.

WBL = Write Buffer Location. Address must be within the same write buffer page as PA.

WC = Word Count. Number of write buffer locations to load minus 1.

Notes:

1. See Table 3 for description of bus operations.
2. All values are in hexadecimal.
3. Except for the read cycle and the fourth cycle of the autoselect command sequence, all bus cycles are write cycles.
4. Data bits DQ15–DQ8 are don't care in command sequences, except for RD and PD.
5. Unless otherwise noted, address bits A_{max}–A12 are don't cares.
6. Writing incorrect address and data values or writing them in the improper sequence may place the device in an unknown state. The system must write the reset command to return the device to reading array data.
7. No unlock or command cycles required when bank is reading array data.
8. The Reset command is required to return to reading array data (or to the erase-suspend-read mode if previously in Erase Suspend) when a bank is in the autoselect mode, or if DQ5 goes high (while the bank is providing status information).
9. The fourth cycle of the autoselect command sequence is a read cycle. The system must read device IDs across the 4th, 5th, and 6th cycles. The system must provide the bank address. See Autoselect Command Sequence on page 39 for more information.

10. See [Table 3](#) for description of bus operations.
11. See the [Autoselect Command Sequence](#) on page 39.
12. The system may read and program in non-erasing sectors, or enter the autoselect mode, when in the Erase Suspend mode. The Erase Suspend command is valid only during a sector erase operation, and requires the bank address.
13. The Erase Resume command is valid only during the Erase Suspend mode, and requires the bank address.
14. Command is valid when device is ready to read array data or when device is in autoselect mode.
15. The total number of cycles in the command sequence is determined by the number of words written to the write buffer. The maximum number of cycles in the command sequence is 37.
16. Command sequence resets device for next command after write-to-buffer operation.
17. Entry commands are needed to enter a specific mode to enable instructions only available within that mode.
18. The Exit command must be issued to reset the device into read mode. Otherwise the device will hang.
19. Requires the Reset command to configure the configuration register.

14. Write Operation Status

The device provides several bits to determine the status of a program or erase operation: DQ2, DQ3, DQ5, DQ6, and DQ7. [Table 28 on page 53](#) and the following subsections describe the function of these bits. DQ7 and DQ6 each offers a method for determining whether a program or erase operation is complete or in progress.

14.1 DQ7: Data# Polling

The Data# Polling bit, DQ7, indicates to the host system whether an Embedded Program or Erase algorithm is in progress or completed, or whether a bank is in Erase Suspend. Data# Polling is valid after the rising edge of the final WE# pulse in the command sequence. **Note that the Data# Polling is valid only for the last word being programmed in the write-buffer-page during Write Buffer Programming. Reading Data# Polling status on any word other than the last word to be programmed in the write-buffer-page will return false status information.**

During the Embedded Program algorithm, the device outputs on DQ7 the complement of the datum programmed to DQ7. This DQ7 status also applies to programming during Erase Suspend. When the Embedded Program algorithm is complete, the device outputs the datum programmed to DQ7. The system must provide the program address to read valid status information on DQ7. If a program address falls within a protected sector, Data# Polling on DQ7 is active for approximately t_{PSP} , then that bank returns to the read mode.

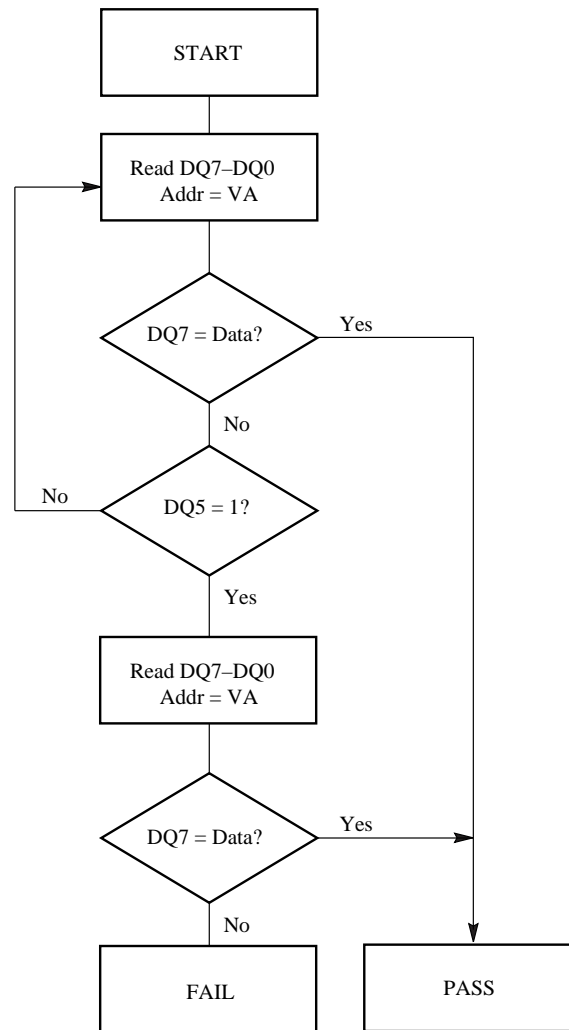
During the Embedded Erase algorithm, Data# Polling produces a “0” on DQ7. When the Embedded Erase algorithm is complete, or if the bank enters the Erase Suspend mode, Data# Polling produces a “1” on DQ7. The system must provide an address within any of the sectors selected for erasure to read valid status information on DQ7.

After an erase command sequence is written, if all sectors selected for erasing are protected, Data# Polling on DQ7 is active for approximately t_{ASP} , then the bank returns to the read mode. If not all selected sectors are protected, the Embedded Erase algorithm erases the unprotected sectors, and ignores the selected sectors that are protected. However, if the system reads DQ7 at an address within a protected sector, the status may not be valid.

Just prior to the completion of an Embedded Program or Erase operation, DQ7 may change asynchronously with DQ6–DQ0 while Output Enable (OE#) is asserted low. That is, the device may change from providing status information to valid data on DQ7. Depending on when the system samples the DQ7 output, it may read the status or valid data. Even if the device has completed the program or erase operation and DQ7 has valid data, the data outputs on DQ6–DQ0 may be still invalid. Valid data on DQ7–DQ0 will appear on successive read cycles.

[Table 28 on page 53](#) shows the outputs for Data# Polling on DQ7. [Figure 7 on page 49](#) shows the Data# Polling algorithm. [Figure 20 on page 64](#) in [AC Characteristics](#) shows the Data# Polling timing diagram.

Figure 7. Data# Polling Algorithm



Notes:

1. VA = Valid address for programming. During a sector erase operation, a valid address is any sector address within the sector being erased. During chip erase, a valid address is any non-protected sector address.
2. DQ7 should be rechecked even if DQ5 = "1" because DQ7 may change simultaneously with DQ5.

14.2 RDY: Ready

The RDY pin is a dedicated status output that indicates valid output data on A/DQ15–A/DQ0 during burst (synchronous) reads. When RDY is asserted (RDY = V_{OH}), the output data is valid and can be read. When RDY is de-asserted (RDY = V_{OL}), the system should wait until RDY is re-asserted before expecting the next word of data.

In synchronous (burst) mode with CE# = OE# = V_{IL}, RDY is de-asserted under the following conditions: during the initial access; after crossing the internal boundary between addresses 7Eh and 7Fh (and addresses offset from these by a multiple of 64). The RDY pin will also switch during status reads when a clock signal drives the CLK input. In addition, RDY = V_{OH} when CE# = V_{IL} and OE# = V_{IH}, and RDY is Hi-Z when CE# = V_{IH}.

In asynchronous (non-burst) mode, the RDY pin does not indicate valid or invalid output data. Instead, RDY = V_{OH} when CE# = V_{IL}, and RDY is Hi-Z when CE# = V_{IH}.

14.3 DQ6: Toggle Bit I

Toggle Bit I on DQ6 indicates whether an Embedded Program or Erase algorithm is in progress or complete, or whether the device has entered the Erase Suspend mode. Toggle Bit I may be read at any address in the same bank, and is valid after the rising edge of the final WE# pulse in the command sequence (prior to the program or erase operation), and during the sector erase time-out.

During an Embedded Program or Erase algorithm operation, successive read cycles to any address cause DQ6 to toggle. Note that OE# must be low during toggle bit status reads. When the operation is complete, DQ6 stops toggling.

After an erase command sequence is written, if all sectors selected for erasing are protected, DQ6 toggles for approximately t_{ASP} , all sectors protected toggle time, then returns to reading array data. If not all selected sectors are protected, the Embedded Erase algorithm erases the unprotected sectors, and ignores the selected sectors that are protected.

The system can use DQ6 and DQ2 together to determine whether a sector is actively erasing or is erase-suspended. When the device is actively erasing (that is, the Embedded Erase algorithm is in progress), DQ6 toggles. When the device enters the Erase Suspend mode, DQ6 stops toggling. However, the system must also use DQ2 to determine which sectors are erasing or erase-suspended. Alternatively, the system can use DQ7 (see Section 14.1 DQ7: Data# Polling on page 48).

If a program address falls within a protected sector, DQ6 toggles for approximately t_{PSP} after the program command sequence is written, then returns to reading array data.

DQ6 also toggles during the erase-suspend-program mode, and stops toggling once the Embedded Program algorithm is complete.

See the following for additional information: (toggle bit flowchart), [Figure 21](#) (toggle bit timing diagram), and [Table 27 on page 52](#) (compares DQ2 and DQ6).

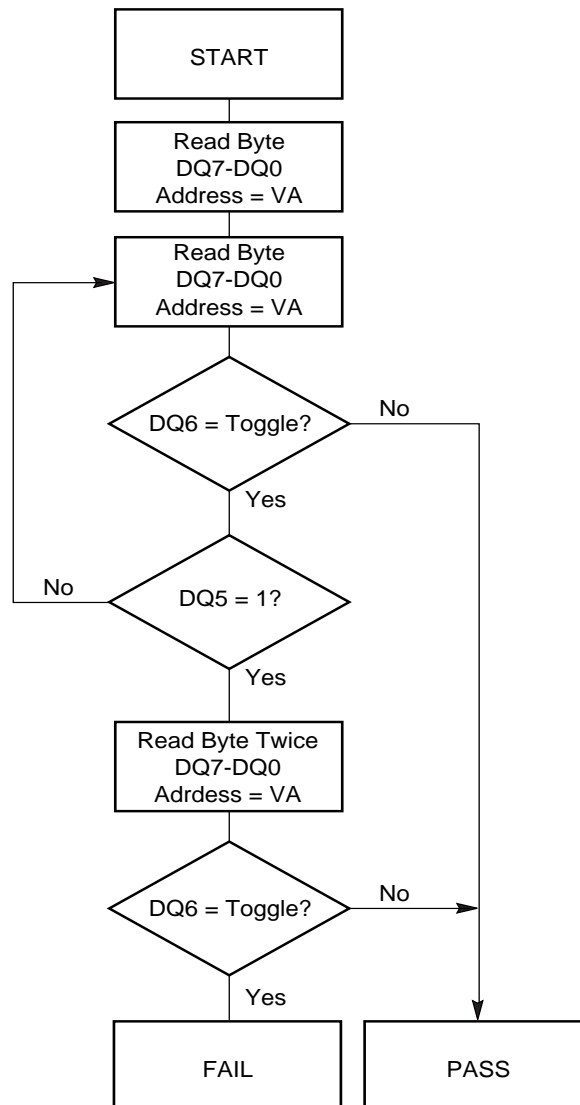
14.4 DQ2: Toggle Bit II

The “Toggle Bit II” on DQ2, when used with DQ6, indicates whether a particular sector is actively erasing (that is, the Embedded Erase algorithm is in progress), or whether that sector is erase-suspended. Toggle Bit II is valid after the rising edge of the final WE# pulse in the command sequence.

DQ2 toggles when the system reads at addresses within those sectors that have been selected for erasure. Note that OE# must be low during toggle bit status reads. But DQ2 cannot distinguish whether the sector is actively erasing or is erase-suspended. DQ6, by comparison, indicates whether the device is actively erasing, or is in Erase Suspend, but cannot distinguish which sectors are selected for erasure. Thus, both status bits are required for sector and mode information. Refer to [Table 28 on page 53](#) to compare outputs for DQ2 and DQ6.

See the following for additional information: (toggle bit flowchart), [DQ6: Toggle Bit I](#) (description), [Figure 21 on page 64](#) (toggle bit timing diagram), and [Table 27 on page 52](#) (compares DQ2 and DQ6).

Figure 8. Toggle Bit Algorithm



Note:

The system should recheck the toggle bit even if DQ5 = “1” because the toggle bit may stop toggling as DQ5 changes to “1.” See the subsections on DQ6 and DQ2 for more information.

Table 27. DQ6 and DQ2 Indications

If device is	and the system reads	then DQ6	and DQ2
programming,	at any address,	toggles,	does not toggle.
actively erasing,	at an address within a sector selected for erasure,	toggles,	also toggles.
	at an address within sectors <i>not</i> selected for erasure,	toggles,	does not toggle.
erase suspended,	at an address within a sector selected for erasure,	does not toggle,	toggles.
	at an address within sectors <i>not</i> selected for erasure,	returns array data,	returns array data. The system can read from any sector not selected for erasure.
programming in erase suspend	at any address,	toggles,	is not applicable.

14.5 Reading Toggle Bits DQ6/DQ2

Whenever the system initially begins reading toggle bit status, it must read DQ7–DQ0 at least twice in a row to determine whether a toggle bit is toggling. Typically, the system would note and store the value of the toggle bit after the first read. After the second read, the system would compare the new value of the toggle bit with the first. If the toggle bit is not toggling, the device has completed the program or erase operation. The system can read array data on DQ7–DQ0 on the following read cycle.

However, if after the initial two read cycles, the system determines that the toggle bit is still toggling, the system also should note whether the value of DQ5 is high (see the section on DQ5). If it is, the system should then determine again whether the toggle bit is toggling, since the toggle bit may have stopped toggling just as DQ5 went high. If the toggle bit is no longer toggling, the device has successfully completed the program or erase operation. If it is still toggling, the device did not complete the operation successfully, and the system must write the reset command to return to reading array data.

The remaining scenario is that the system initially determines that the toggle bit is toggling and DQ5 has not gone high. The system may continue to monitor the toggle bit and DQ5 through successive read cycles, determining the status as described in the previous paragraph. Alternatively, it may choose to perform other system tasks. In this case, the system must start at the beginning of the algorithm when it returns to determine the status of the operation.

14.6 DQ5: Exceeded Timing Limits

DQ5 indicates whether the program or erase time has exceeded a specified internal pulse count limit. Under these conditions DQ5 produces a “1,” indicating that the program or erase cycle was not successfully completed.

The device may output a “1” on DQ5 if the system tries to program a “1” to a location that was previously programmed to “0.” **Only an erase operation can change a “0” back to a “1.”** Under this condition, the device halts the operation, and when the timing limit has been exceeded, DQ5 produces a “1.”

Under both these conditions, the system must write the reset command to return to the read mode (or to the erase-suspend-read mode if a bank was previously in the erase-suspend-program mode).

14.7 DQ3: Sector Erase Start Timeout State Indicator

After writing a sector erase command sequence, the system may read DQ3 to determine whether or not erasure has begun. (The sector erase timer does not apply to the chip erase command.) If additional sectors are selected for erasure, the entire time-out also applies after each additional sector erase command. When the time-out period is complete, DQ3 switches from a “0” to a “1.”

After the sector erase command is written, the system should read the status of DQ7 (Data# Polling) or DQ6 (Toggle Bit 1) to ensure that the device has accepted the command sequence, and then read DQ3. If DQ3 is “1,” the Embedded Erase algorithm has begun; all further commands (except Erase Suspend) are ignored until the erase operation is complete. If DQ3 is “0,” the device will accept additional sector erase commands. To ensure the command has been accepted, the system software should check the status of DQ3 prior to and following each subsequent sector erase command. If DQ3 is high on the second status check, the last command might not have been accepted. [Table 28](#) shows the status of DQ3 relative to the other status bits.

14.8 DQ1: Write to Buffer Abort

DQ1 indicates whether a Write to Buffer operation was aborted. Under these conditions DQ1 produces a ‘1’. The system must issue the Write to Buffer Abort Reset command sequence to return the device to reading array data. See [Write Buffer Programming Operation on page 27](#) for more details.

Table 28. Write Operation Status

Status		DQ7 [2]	DQ6	DQ5 [1]	DQ3	DQ2 [2]	DQ1 [4]	
Standard Mode	Embedded Program Algorithm	DQ7#	Toggle	0	N/A	No toggle	0	
	Embedded Erase Algorithm	0	Toggle	0	1	Toggle	N/A	
Program Suspend Mode [3]	Reading within Program Suspended Sector	Valid data for all address except the address being programmed, which will return invalid data						
	Reading within Non-Program Suspended Sector	Data						
Erase Suspend Mode	Erase-Suspend-Read	Erase Suspended Sector	1	No toggle	0	N/A	Toggle	N/A
		Non-Erase Suspended Sector	Data	Data	Data	Data	Data	Data
	Erase-Suspend-Program	DQ7#	Toggle	0	N/A	N/A	N/A	
Write to Buffer [5]	BUSY State	DQ7#	Toggle	0	N/A	N/A	0	
	Exceeded Timing Limits	DQ7#	Toggle	1	N/A	N/A	0	
	ABORT State	DQ7#	Toggle	0	N/A	N/A	1	

Notes:

1. DQ5 switches to ‘1’ when an Embedded Program or Embedded Erase operation has exceeded the maximum timing limits. Refer to the section on DQ5 for more information.
2. DQ7 and DQ2 require a valid address when reading status information. Refer to the appropriate subsection for further details.
3. Data are invalid for addresses in a Program Suspended sector.
4. DQ1 indicates the Write to Buffer ABORT status during Write Buffer Programming operations.
5. The data-bar polling algorithm should be used for Write Buffer Programming operations. Note that DQ7# during Write Buffer Programming indicates the data-bar for DQ7 data for the **LAST LOADED WRITE-BUFFER ADDRESS** location.

15. Absolute Maximum Ratings

Storage Temperature	-65°C to +150°C
Ambient Temperature with Power Applied	-65°C to +125°C
Voltage with Respect to Ground, All Inputs and I/Os	
except V_{PP} [1]	-0.5 V to $V_{CC} + 0.5$ V
V_{CC} [1]	-0.5 V to +2.5 V
V_{PP} [2]	-0.5 V to +9.5 V
Output Short Circuit Current [3]	100 mA

Notes:

1. Minimum DC voltage on input or I/Os is -0.5 V. During voltage transitions, input at I/Os may undershoot V_{SS} to -2.0 V for periods of up to 20 ns during voltage transitions inputs might overshoot to $V_{CC} + 0.5$ V for periods up to 20 ns. See [Figure 9](#). Maximum DC voltage on output and I/Os is $V_{CC} + 0.5$ V. During voltage transitions outputs may overshoot to $V_{CC} + 2.0$ V for periods up to 20 ns. See [Figure 10](#).
2. Minimum DC input voltage on V_{PP} is -0.5 V. During voltage transitions, V_{PP} may undershoot V_{SS} to -2.0 V for periods of up to 20 ns. See [Figure 9](#). Maximum DC input voltage on V_{PP} is +9.5 V which may overshoot to +10.5 V for periods up to 20 ns.
3. No more than one output may be shorted to ground at a time. Duration of the short circuit should not be greater than one second.
4. Stresses above those listed under [Absolute Maximum Ratings](#) may cause permanent damage to the device. This is a stress rating only; functional operation of the device at these or any other conditions above those indicated in the operational sections of this data sheet is not implied. Exposure of the device to absolute maximum rating conditions for extended periods may affect device reliability.

Figure 9. Maximum Negative Overshoot Waveform

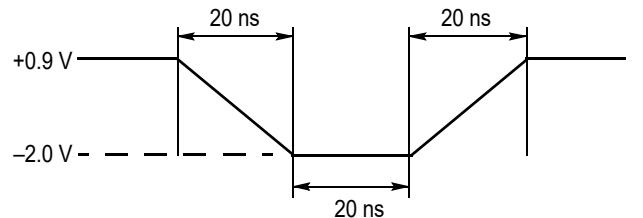
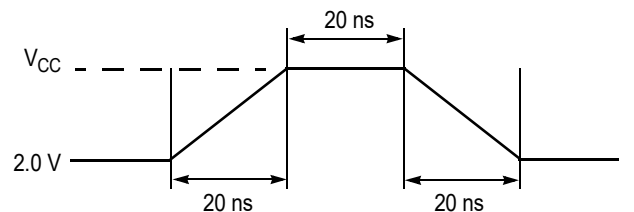


Figure 10. Maximum Positive Overshoot Waveform



16. Operating Ranges

Ambient Temperature (T_A), Wireless (W) Device	-25°C to +85°C
Ambient Temperature (T_A), Industrial (I) Device	-40°C to +85°C
Ambient Temperature (T_A) during Accelerated Sector Erase	+20°C to +40°C
V_{CC} Supply Voltages	
V_{CC} min	+1.70V
V_{CC} max	+1.95V

Notes:

1. Operating ranges define those limits between which the functionality of the device is guaranteed.

17. IDC Characteristics

Table 29. CMOS Compatible

Parameter	Description	Test Conditions [1]	Min	Typ	Max	Unit	
I_{LI}	Input Load Current	$V_{IN} = V_{SS}$ to V_{CC} , $V_{CC} = V_{CC\ max}$			± 1	μA	
I_{LO}	Output Leakage Current	$V_{OUT} = V_{SS}$ to V_{CC} , $V_{CC} = V_{CC\ max}$			± 1	μA	
I_{CCB}	V_{CC} Active Burst Read Current [5]	CE# = V_{IL} , OE# = V_{IH} , burst length = 8	66 MHz		31	34	mA
			83 MHz		35	38	
			108 MHz		39	44	
		CE# = V_{IL} , OE# = V_{IH} , burst length = 16	66 MHz		24	26	
			83 MHz		28	30	
			108 MHz		32	36	
		CE# = V_{IL} , OE# = V_{IH} , burst length = continuous	66 MHz		24	26	
			83 MHz		28	30	
			108 MHz		32	36	
I_{CC1}	V_{CC} Active Asynchronous Read Current [2]	CE# = V_{IL} , OE# = V_{IH}	5 MHz		20	40	mA
			1 MHz		10	20	mA
I_{CC2}	V_{CC} Active Write Current [3]	CE# = V_{IL} , OE# = V_{IH} , $V_{PP} = V_{IH}$		30	40	mA	
I_{CC3}	V_{CC} Standby Current [4]	CE# = V_{IH} , RESET# = V_{IH}		40	70	μA	
I_{CC4}	V_{CC} Reset Current	RESET# = V_{IL} , CLK = V_{IL}		150	250	μA	
I_{CC5}	V_{CC} Active Current (Read While Write)	CE# = V_{IL} , OE# = V_{IH} [8]	66 MHz		61	66	mA
			83 MHz		65	70	
			108 MHz		71	76	
I_{CC6}	V_{CC} Sleep Current	CE# = V_{IL} , OE# = V_{IH}		40	70	μA	
I_{PPW}	Accelerated Program Current [6]	$V_{PP} = 9\ V$		20	30	mA	
I_{PPE}	Accelerated Erase Current [6]	$V_{PP} = 9\ V$		20	30	mA	
V_{IL}	Input Low Voltage		-0.5		0.4	V	
V_{IH}	Input High Voltage		$V_{IO} - 0.4$		$V_{IO} + 0.2$	V	
V_{OL}	Output Low Voltage	$I_{OL} = 100\ \mu A$, $V_{CC} = V_{CC\ min}$			0.1	V	
V_{OH}	Output High Voltage	$I_{OH} = -100\ \mu A$, $V_{CC} = V_{CC\ min}$	$V_{IO} - 0.1$			V	
V_{ID}	Voltage for Accelerated Program		8.5		9.5	V	
V_{LKO}	Low V_{CC} Lock-out Voltage		1.0		1.1	V	

Notes:

1. Maximum I_{CC} specifications are tested with $V_{CC} = V_{CC\ max}$.
2. The I_{CC} current listed is typically less than 2 mA/MHz, with OE# at V_{IH} .
3. I_{CC} active while Embedded Erase or Embedded Program is in progress.
4. Device enters automatic sleep mode when addresses are stable for $t_{ACC} + 20\ ns$. Typical sleep mode current is equal to I_{CC3} .
5. Specifications assume 8 I/Os switching.
6. Not 100% tested. V_{PP} is not a power supply pin.
7. While measuring Output Leakage Current, CE# should be at V_{IH} .
8. In Continuous Mode.

18. Test Conditions

Figure 11. Test Setup

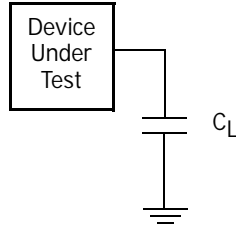


Table 30. Test Specifications

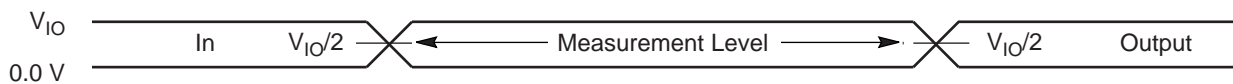
Test Condition	All Speeds		Unit
Output Load Capacitance, C_L (including jig capacitance)	30		pF
Input Rise and Fall Times	66 MHz	3	ns
	83 MHz	2.5	ns
	108 MHz	1.85	ns
Input Pulse Levels	0.0– V_{CC}		V
Input timing measurement reference levels	$V_{IO}/2$		V
Output timing measurement reference levels	$V_{IO}/2$		V

19. Key to Switching Waveforms

Waveform	Inputs	Outputs
	Steady	
	Changing from H to L	
	Changing from L to H	
	Don't Care, Any Change Permitted	Changing, State Unknown
	Does Not Apply	Center Line is High Impedance State (High-Z)

19.1 Switching Waveforms

Figure 12. Input Waveforms and Measurement Levels



20. AC Characteristics

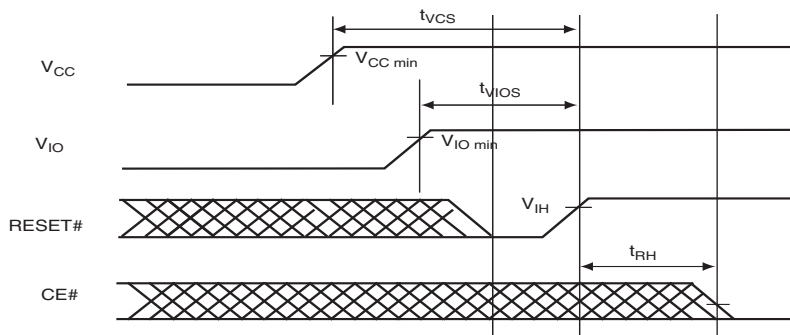
20.1 V_{CC} Power-up

Parameter	Description	Test Setup	Speed	Unit
t_{VCS}	V_{CC} Setup Time	Min	300	μs
t_{VIOS}	V_{IO} Setup Time	Min	300	μs
t_{RH}	Time between RESET# (high) and CE# (low)	Min	200	ns

Notes:

1. Reset# must be high after V_{CC} and V_{IO} are higher than V_{CC} minimum.
2. $V_{CC} \geq V_{IO} - 200$ mV during power-up.
3. V_{CC} and V_{IO} ramp rate could be non-linear.
4. V_{CC} and V_{IO} are recommended to be ramped up simultaneously.

Figure 13. V_{CC} Power-up Diagram

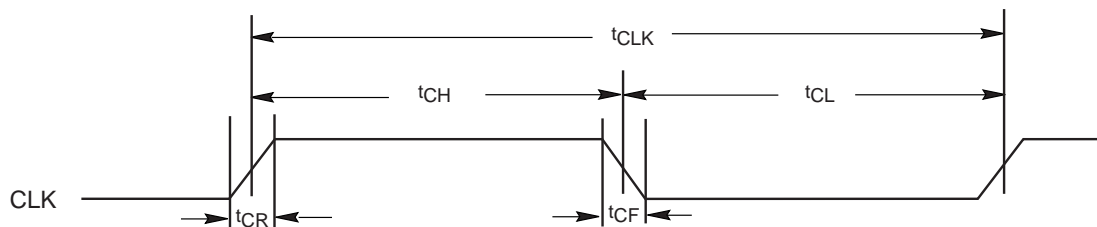


Parameter	Description		66 MHz	108 MHz	Unit
f_{CLK}	CLK Frequency	Max	66	108 [1]	MHz
t_{CLK}	CLK Period	Min	15.0	9.6	ns
t_{CH}	CLK High Time	Min	6.1	0.40 t_{CLK}	ns
t_{CL}	CLK Low Time				
t_{CR}	CLK Rise Time	Max	3	1.85	ns
t_{CF}	CLK Fall Time				

Notes:

1. Clock jitter of $\pm 5\%$ permitted.
2. Not 100% tested.

Figure 14. CLK Characterization



20.2 Synchronous/Burst Read

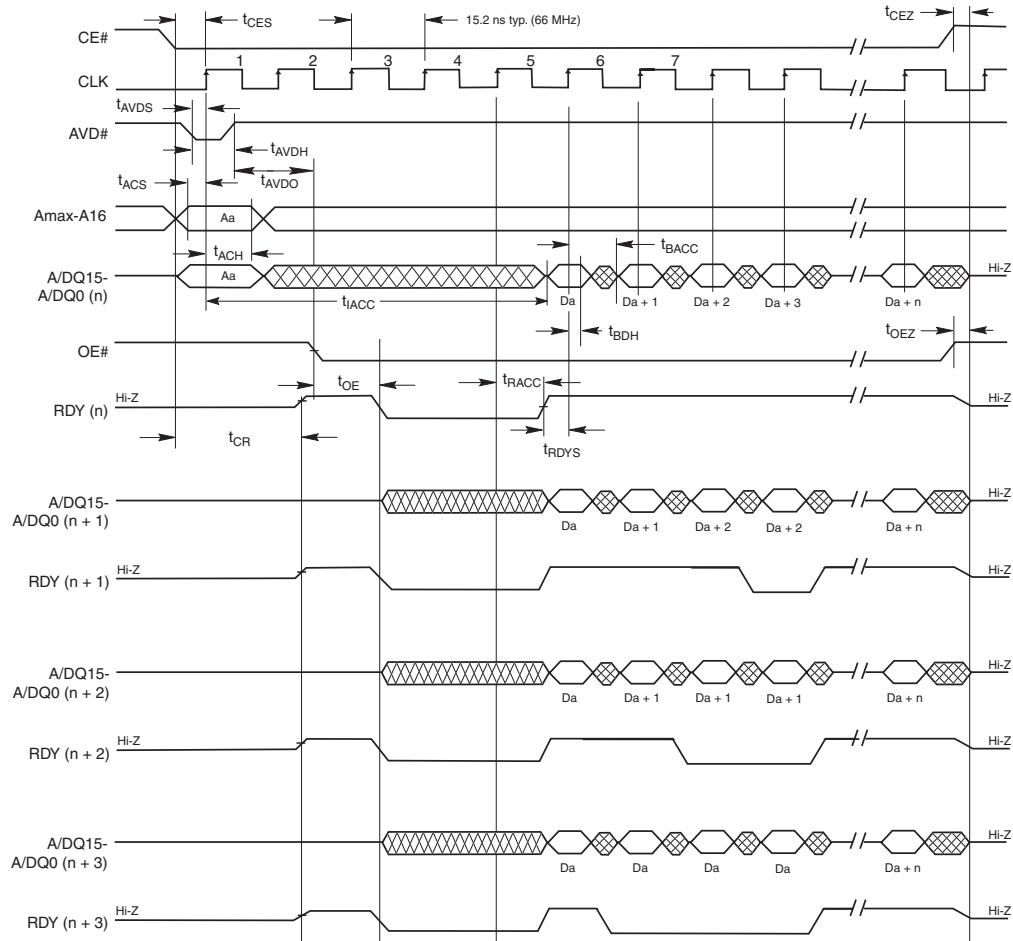
Parameter		Description		(66 MHz)	(83 MHz)	(108 MHz)	Unit
JEDEC	Standard						
	t_{IACC}	Initial Access Time	Max	80			ns
	t_{BACC}	Burst Access Time Valid Clock to Output Delay	Max	11.2	9	7.6	ns
	t_{AVDS}	AVD# Setup Time to CLK	Min	4			ns
	t_{AVDH}	AVD# Hold Time from CLK	Min	3			ns
	t_{AVDO}	AVD# High to OE# Low	Min	0			ns
	t_{ACS}	Address Setup Time to CLK	Min	4			ns
	t_{ACH}	Address Hold Time from CLK	Min	6			ns
	t_{BDH}	Data Hold Time from Next Clock Cycle	Min	3	3	2	ns
	t_{OE}	Output Enable to RDY Low	Max	15			ns
	t_{CEZ}	Chip Enable to High-Z [1]	Max	10			ns
	t_{OEZ}	Output Enable to High-Z [1]	Max	10			ns
	t_{CES}	CE# Setup Time to CLK	Min	4			ns
	t_{RDYS}	RDY Setup Time to CLK	Min	3.9	3	2	ns
	t_{RACC}	Ready access time from CLK	Max	11.2	9	7.6	ns

Note:

1. Not 100% tested.

Figure 15. Burst Mode Read

5 cycles for initial access shown.



Notes:

1. Figure shows total number of clock set to five.
2. If any burst address occurs at "address + 1", "address + 2", or "address + 3", additional clock delays are inserted, and are indicated by RDY.

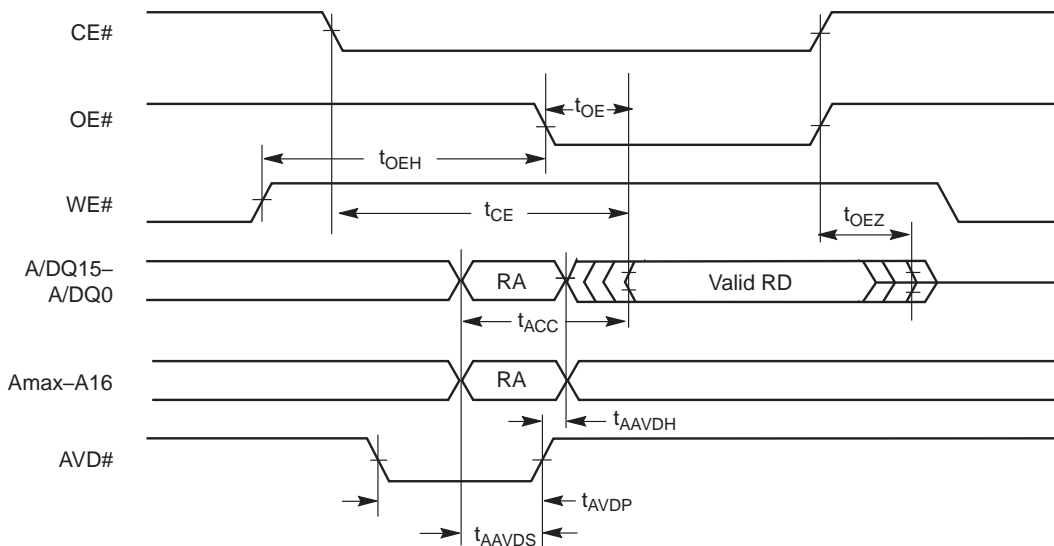
20.3 Asynchronous Read

Parameter		Description			Unit	
JEDEC	Standard					
	t_{CE}	Access Time from CE# Low	Max	80	ns	
	t_{ACC}	Asynchronous Access Time	Max	80	ns	
	t_{AVDP}	AVD# Low Time	Min	6	ns	
	t_{AAVDS}	Address Setup Time to Rising Edge of AVD	Min	4	ns	
	t_{AAVDH}	Address Hold Time from Rising Edge of AVD	Min	3.5	ns	
	t_{OE}	Output Enable to Output Valid	Max	18	ns	
	t_{OEh}	Output Enable Hold Time	Read	Min	0	ns
		Toggle and Data# Polling	Min	10	ns	
	t_{OEZ}	Output Enable to High-Z [1]	Max	10	ns	

Note:

1. Not 100% tested.

Figure 16. Asynchronous Mode Read



Note:

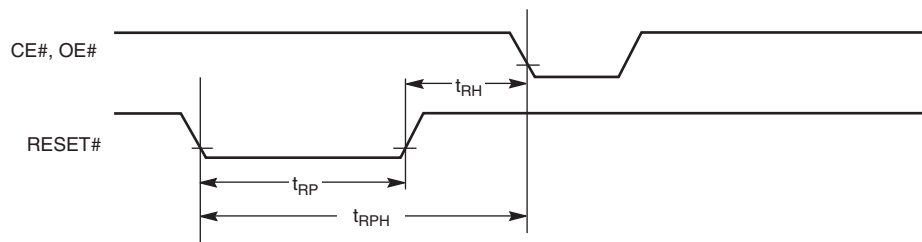
RA = Read Address, RD = Read Data.

20.4 Hardware Reset (RESET#)

Table 31. Warm-Reset

Parameter		Description		All Speed Options	Unit
JEDEC	Std				
	t_{RP}	RESET# Pulse Width	Min	50	ns
	t_{RH}	Reset High Time Before Read	Min	200	ns
	t_{RPH}	RESET# Low to CE# Low	Min	10	μ s

Figure 17. Reset Timings



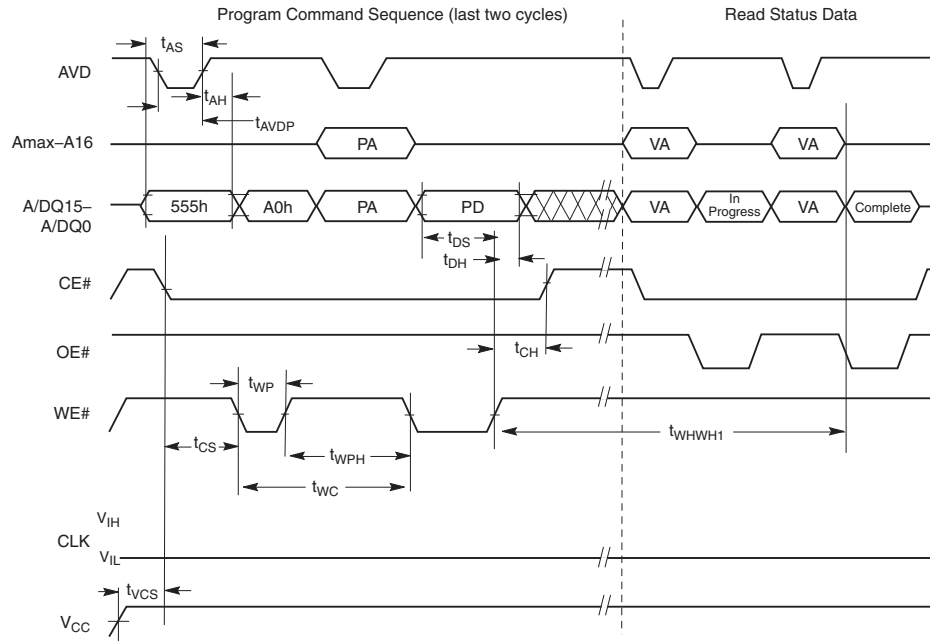
20.5 Erase/Program Operations

Parameter		Description			Unit
JEDEC	Standard				
t_{AVAV}	t_{WC}	Write Cycle Time [1]	Min	60	ns
t_{AVWL}	t_{AS}	Address Setup Time	Min	4	ns
t_{WLAX}	t_{AH}	Address Hold Time	Min	3.5	ns
	t_{AVDP}	AVD# Low Time	Min	6	ns
	t_{AAVDS}	Address Setup to Rising of AVD#	Min	4	ns
	t_{AAVDH}	Address Hold from Rising of AVD#	Min	3.5	ns
t_{DVWH}	t_{DS}	Data Setup Time	Min	20	ns
t_{WHDX}	t_{DH}	Data Hold Time	Min	0	ns
t_{GHWL}	t_{GHWL}	Read Recovery Time Before Write	Min	0	ns
t_{ELWL}	t_{CS}	CE# Setup Time to WE#	Min	4	ns
t_{WHEH}	t_{CH}	CE# Hold Time	Min	0	ns
t_{WLWH}	t_{WP}/t_{WRL}	Write Pulse Width	Min	25	ns
	t_{VLWH}	AVD# Disable to WE# Disable	Min	23.5	ns
	t_{WEA}	WE# Disable to AVD# Enable	Min	9.6	ns
	t_{CR}	CE# Low to RDY Valid	Max	10	ns
	t_{CEZ}	CE# Disable to Output High-Z	Max	10	ns
	t_{WEH}	OE# Disable to WE# Enable	Min	4	ns
t_{WHWL}	t_{WPH}	Write Pulse Width High	Min	20	ns
	$t_{SR/W}$	Latency Between Read and Write Operations	Min	0	ns
	t_{VPP}	V_{PP} Rise and Fall Time	Min	500	ns
	t_{VPS}	V_{PP} Setup Time (During Accelerated Programming)	Min	1	μ s
	t_{VCS}	V_{CC} Setup Time	Min	50	μ s
	t_{ESL}	Erase Suspend Latency	Max	30	μ s
	t_{PSL}	Program Suspend Latency	Max	30	μ s
	t_{PSP}	Toggle Time During Programming Within a Protected Sector	Typ	20	μ s
	t_{ASP}	Toggle Time During Sector Protection	Typ	20	μ s
	t_{WEP}	Noise Pulse Margin on WE#	Max	3	ns
	t_{ERS}	ER to ES	Min	30	μ s
	t_{PRS}	PR to PS	Min	30	μ s

Notes:

1. Not 100% tested.
2. See *Erase and Programming Performance* on page 67 for more information.
3. Does not include the preprogramming time.

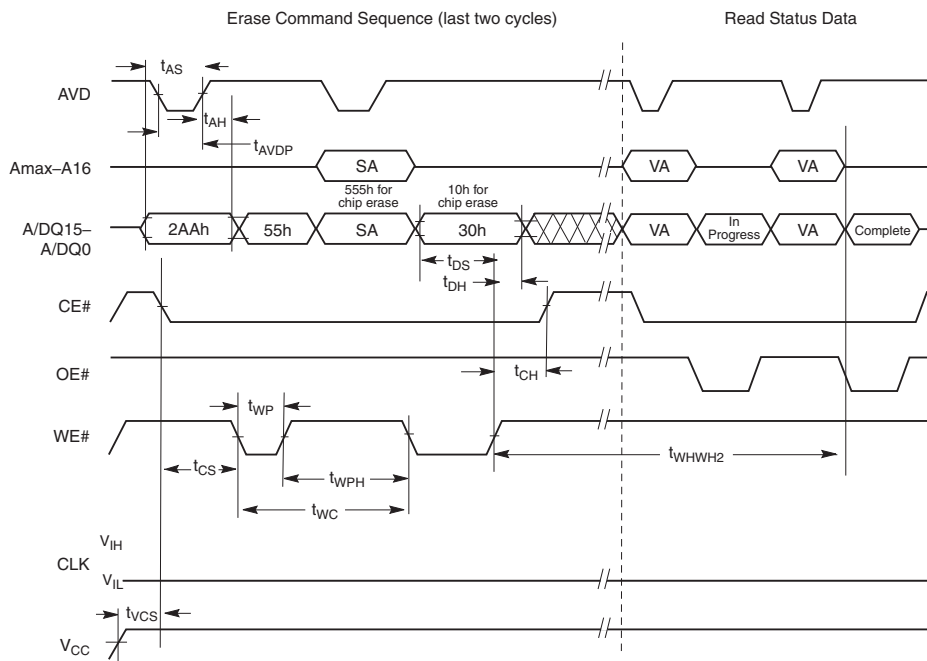
Figure 18. Program Operation Timings



Notes:

1. PA = Program Address, PD = Program Data, VA = Valid Address for reading status bits.
2. "In progress" and "complete" refer to status of program operation.
3. A_{max}-A16 are don't care during command sequence unlock cycles.

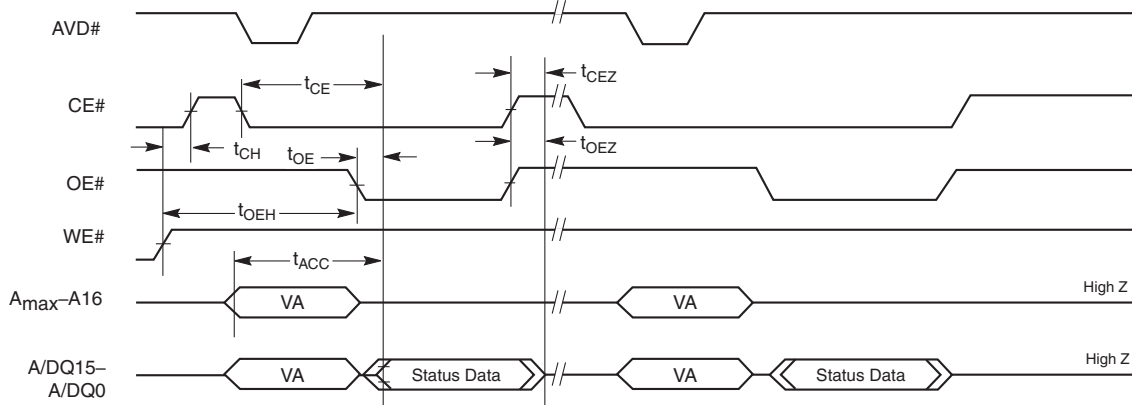
Figure 19. Chip/Sector Erase Operations



Notes:

1. SA is the sector address for Sector Erase.
2. Address bits A_{max}-A16 are don't cares during unlock cycles in the command sequence.

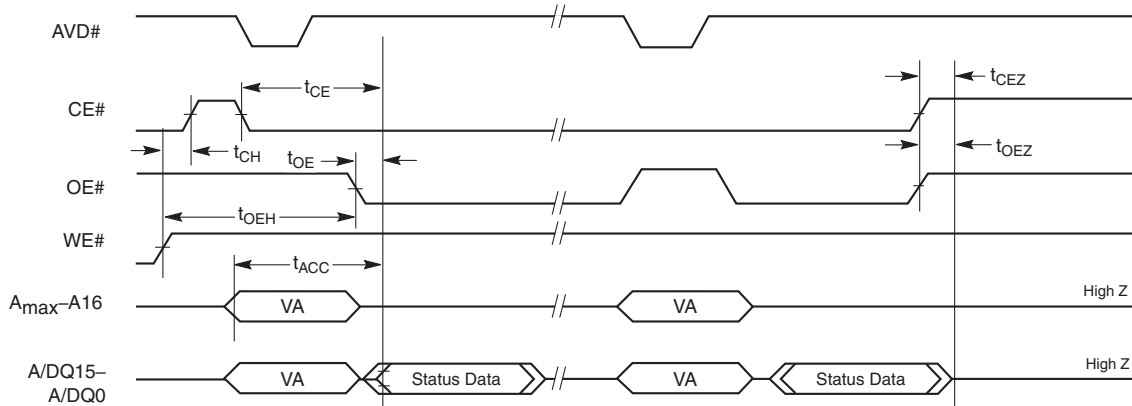
Figure 20. Data# Polling Timings (During Embedded Algorithm)



Notes:

1. All status reads are asynchronous.
2. VA = Valid Address. Two read cycles are required to determine status. When the Embedded Algorithm operation is complete, and Data# Polling will output true data.

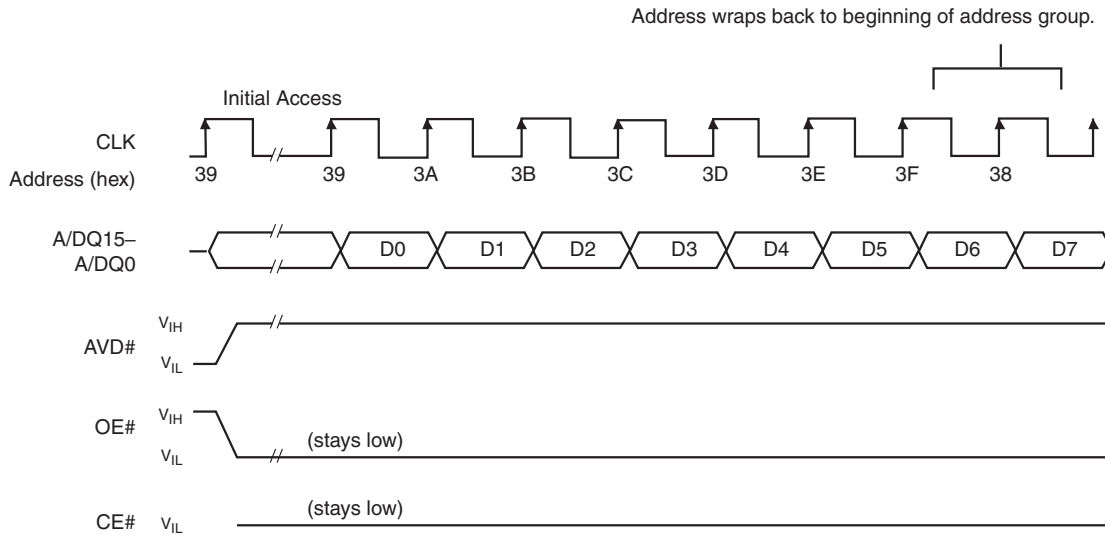
Figure 21. Toggle Bit Timings (During Embedded Algorithm)



Notes:

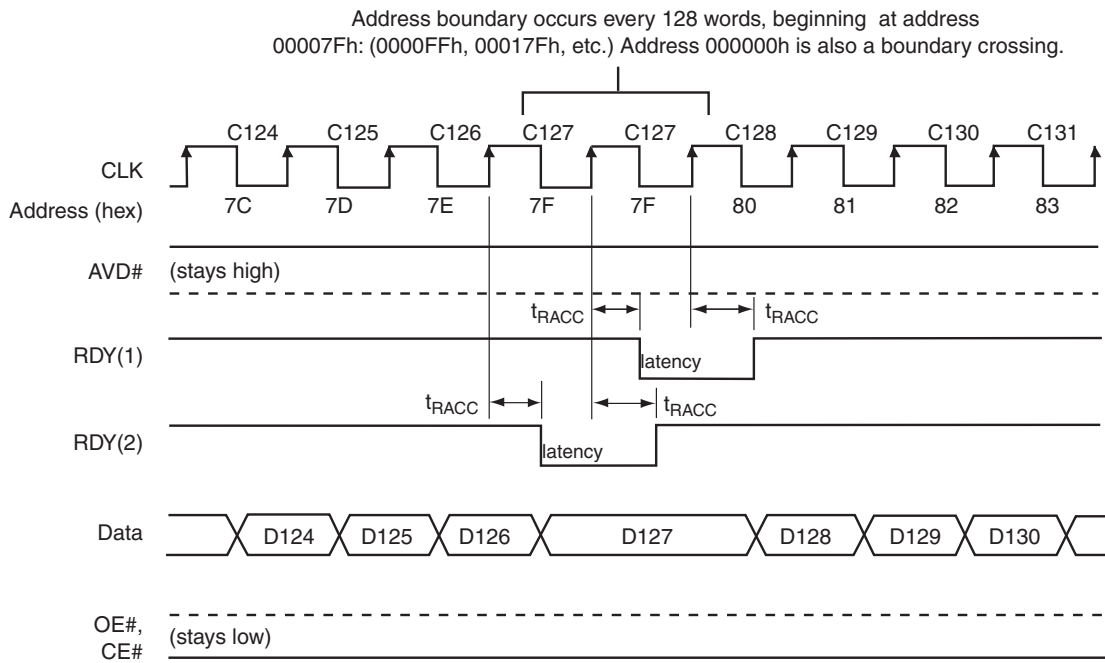
1. All status reads are asynchronous.
2. VA = Valid Address. Two read cycles are required to determine status. When the Embedded Algorithm operation is complete, the toggle bits will stop toggling.

Figure 22. 8- and 16-Word Linear Burst Address Wrap Around



Note:
8-word linear burst mode shown. 16-word linear burst read mode behaves similarly. D0 represents the first word of the linear burst.

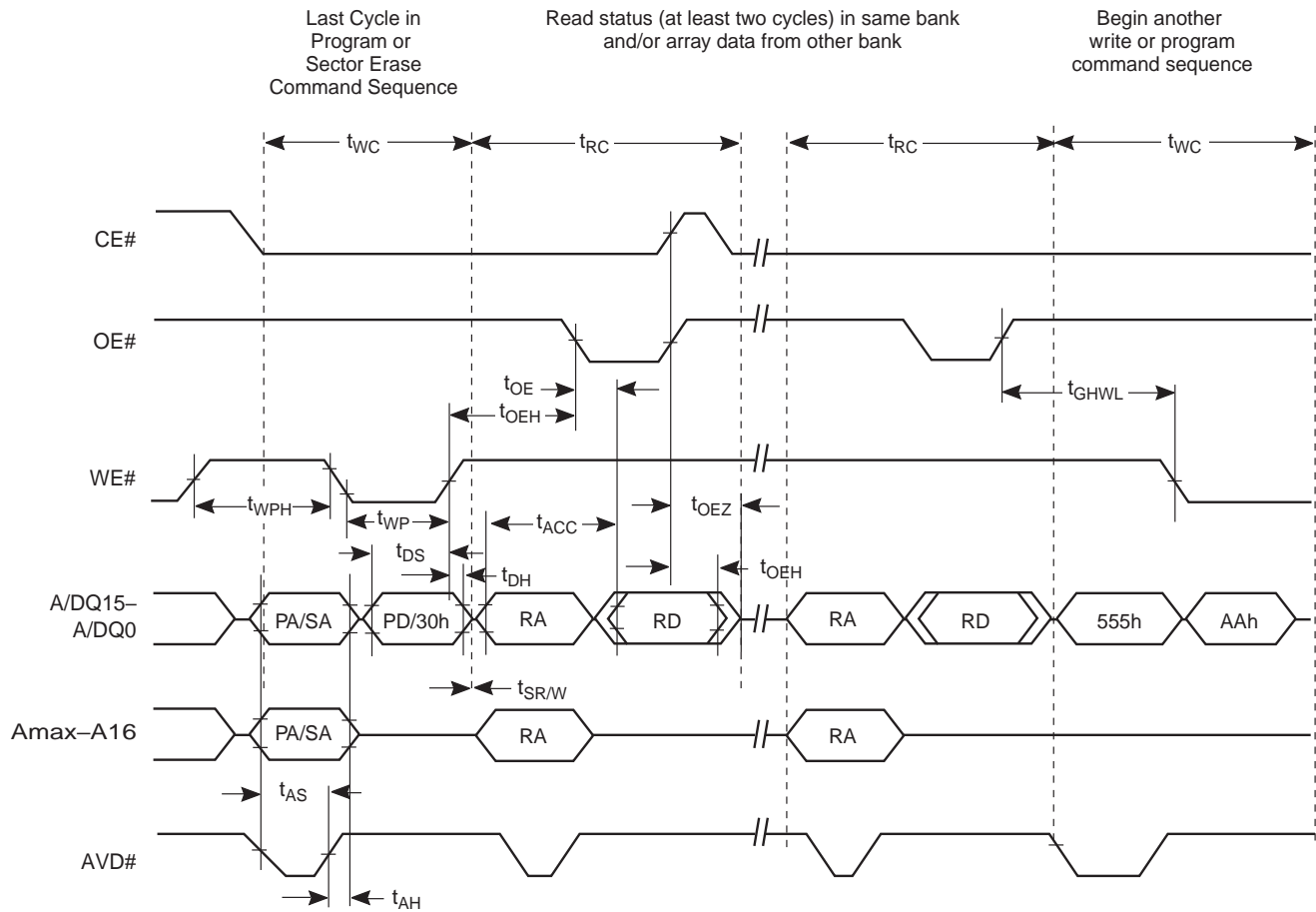
Figure 23. Latency with Boundary Crossing



Notes:

1. Cxx indicates the clock that triggers data Dxx on the outputs; for example, C60 triggers D60.
2. At frequencies less than or equal to 66 Mhz, there is no latency.

Figure 24. Back-to-Back Read/Write Cycle Timings



Note:

Breakpoints in waveforms indicate that system may alternately read array data from the “non-busy bank” while checking the status of the program or erase operation in the “busy” bank. The system should read status twice to ensure valid information.

21. Erase and Programming Performance

Parameter			Typ [1]	Max [2]	Unit	Comments
Sector Erase Time	32 kword	V _{CC}	0.8	3.5	s	Excludes 00h programming prior to erasure (Note 5)
	8 kword	V _{CC}	0.35	2		
Chip Erase Time		V _{CC}	103	453		
		V _{PP}	103	453		
Single Word Programming Time		V _{CC}	170	800 [7]/1600 [8]	μs	
Effective Word Programming Time utilizing Program Write Buffer		V _{CC}	14.1	94		
		V _{PP}	9	60		
Total 32-Word Buffer Programming Time		V _{CC}	450	3000 [7]/6000 [8]		
		V _{PP}	288	1920		
Chip Programming Time [4]		V _{CC}	59	78.6	s	Excludes system level overhead (Note 6)
		V _{PP}	38	52		

Notes:

1. Typical program and erase times assume the following conditions: 25°C, 1.8 V V_{CC}, 10,000 cycles typical. Additionally, programming typicals assume checkerboard pattern.
2. Under worst case conditions of -25°C, V_{CC} = 1.70 V, 100,000 cycles.
3. Effective write buffer specification is based upon a 32-word write buffer operation.
4. The typical chip programming time is considerably less than the maximum chip programming time listed, since most words program faster than the maximum program times listed.
5. In the pre-programming step of the Embedded Erase algorithm, all words are programmed to 00h before erasure.
6. System-level overhead is the time required to execute the two- or four-bus-cycle sequence for the program command. See [Table 26 on page 46](#) for further information on command definitions.
7. Wireless (W) Temperature Range
8. Industrial (I) Temperature Range

22. BGA Ball Capacitance

Parameter Symbol	Parameter Description	Test Setup	Typ	Max	Unit
C _{IN}	Input Capacitance	V _{IN} = 0	4.2	5.0	pF
C _{OUT}	Output Capacitance	V _{OUT} = 0	5.4	6.5	pF
C _{IN2}	Control Pin Capacitance	V _{IN} = 0	3.9	4.7	pF

Notes:

1. Sampled, not 100% tested.
2. Test conditions T_A = 25°C, f = 1.0 MHz.

23. Document History

Document History Page

Document Title: S29VS064R/S29XS064R, 64-Mbit (4M × 16-bit), 1.8 V, Multiplexed, Burst MirrorBit® Flash Document Number: 002-00949				
Rev.	ECN No.	Orig. of Change	Submission Date	Description of Change
**	–	WIOB	04/23/2010	Spansion Publication Number: S29VS_XS064R_00 Initial release
*A	–	WIOB	08/06/2010	Performance Characteristics Updated table: Typical Program & Erase Times Connection Diagram Updated diagram to show outrigger balls DC Characteristics CMOS Compatible table: Updated ICCB, ICC2, and ICC5 Erase and Programming Performance Updated table: Changed Typ and Max values for Single Word Programming Time Changed Typ values for buffer and chip programming times Synchronous/Burst Read Updated tOE description Asynchronous Read Updated tOE value
*B	–	WIOB	10/04/2010	DC Characteristics CMOS Compatible table: Changed typical values for ICC3 and ICC6
*C	–	WIOB	10/27/2010	Configuration Register Corrected CR15 and CR11-13 settings description Removed Note 3 DC Characteristics CMOS Compatible table: Removed Note 9
*D	–	WIOB	12/09/2010	Global Added references to Industrial Specification Supplement Volatile Sector Protection Command Set Command Definitions table: Corrected missing note references for CFI and Set Configuration Register Removed orphan notes
*E	–	WIOB	07/22/2011	Factory Secured Silicon Sector Reworded to indicate that sector is unprogrammed by default Erase and Programming Performance Corrected note 2 for worst case condition temperature
*F	–	WIOB	08/07/2012	Synchronous (Burst) Read Mode and Configuration Register Removed text that implied output drive strength can be controlled through the configuration register
*G	5042966	WIOB	12/17/2015	Changed status from Advance to Final. Updated to Cypress template.
*H	5745055	NIBK	06/13/2017	Updated Cypress Logo and Copyright.
*I	5965428	BWHA	11/15/2017	Added Memory Map on page 10 .
*J	6022619	PRIT	01/09/2018	Updated Ordering Information on page 18 : Updated details below heading. Updated Valid Combinations on page 19 : Updated table. Updated Operating Ranges on page 54 : Added “Ambient temperature (T _A), Industrial (I) Device” and its corresponding details. Updated Erase and Programming Performance on page 67 : Updated table.

Document History Page (Continued)

Document Title: S29VS064R/S29XS064R, 64-Mbit (4M × 16-bit), 1.8 V, Multiplexed, Burst MirrorBit® Flash				
Document Number: 002-00949				
Rev.	ECN No.	Orig. of Change	Submission Date	Description of Change
*K	6275118	PRIT	08/07/2018	Updated to new template. Completing Sunset Review.

Sales, Solutions, and Legal Information

Worldwide Sales and Design Support

Cypress maintains a worldwide network of offices, solution centers, manufacturer's representatives, and distributors. To find the office closest to you, visit us at [Cypress Locations](#).

Products

Arm® Cortex® Microcontrollers	cypress.com/arm
Automotive	cypress.com/automotive
Clocks & Buffers	cypress.com/clocks
Interface	cypress.com/interface
Internet of Things	cypress.com/iot
Memory	cypress.com/memory
Microcontrollers	cypress.com/mcu
PSoC	cypress.com/psoc
Power Management ICs	cypress.com/pmic
Touch Sensing	cypress.com/touch
USB Controllers	cypress.com/usb
Wireless Connectivity	cypress.com/wireless

PSoC® Solutions

[PSoC 1](#) | [PSoC 3](#) | [PSoC 4](#) | [PSoC 5LP](#) | [PSoC 6 MCU](#)

Cypress Developer Community

[Community](#) | [Projects](#) | [Video](#) | [Blogs](#) | [Training](#) | [Components](#)

Technical Support

cypress.com/support

© Cypress Semiconductor Corporation, 2010-2018. This document is the property of Cypress Semiconductor Corporation and its subsidiaries, including Spansion LLC ("Cypress"). This document, including any software or firmware included or referenced in this document ("Software"), is owned by Cypress under the intellectual property laws and treaties of the United States and other countries worldwide. Cypress reserves all rights under such laws and treaties and does not, except as specifically stated in this paragraph, grant any license under its patents, copyrights, trademarks, or other intellectual property rights. If the Software is not accompanied by a license agreement and you do not otherwise have a written agreement with Cypress governing the use of the Software, then Cypress hereby grants you a personal, non-exclusive, nontransferable license (without the right to sublicense) (1) under its copyright rights in the Software (a) for Software provided in source code form, to modify and reproduce the Software solely for use with Cypress hardware products, only internally within your organization, and (b) to distribute the Software in binary code form externally to end users (either directly or indirectly through resellers and distributors), solely for use on Cypress hardware product units, and (2) under those claims of Cypress's patents that are infringed by the Software (as provided by Cypress, unmodified) to make, use, distribute, and import the Software solely for use with Cypress hardware products. Any other use, reproduction, modification, translation, or compilation of the Software is prohibited.

TO THE EXTENT PERMITTED BY APPLICABLE LAW, CYPRESS MAKES NO WARRANTY OF ANY KIND, EXPRESS OR IMPLIED, WITH REGARD TO THIS DOCUMENT OR ANY SOFTWARE OR ACCOMPANYING HARDWARE, INCLUDING, BUT NOT LIMITED TO, THE IMPLIED WARRANTIES OF MERCHANTABILITY AND FITNESS FOR A PARTICULAR PURPOSE. No computing device can be absolutely secure. Therefore, despite security measures implemented in Cypress hardware or software products, Cypress does not assume any liability arising out of any security breach, such as unauthorized access to or use of a Cypress product. In addition, the products described in these materials may contain design defects or errors known as errata which may cause the product to deviate from published specifications. To the extent permitted by applicable law, Cypress reserves the right to make changes to this document without further notice. Cypress does not assume any liability arising out of the application or use of any product or circuit described in this document. Any information provided in this document, including any sample design information or programming code, is provided only for reference purposes. It is the responsibility of the user of this document to properly design, program, and test the functionality and safety of any application made of this information and any resulting product. Cypress products are not designed, intended, or authorized for use as critical components in systems designed or intended for the operation of weapons, weapons systems, nuclear installations, life-support devices or systems, other medical devices or systems (including resuscitation equipment and surgical implants), pollution control or hazardous substances management, or other uses where the failure of the device or system could cause personal injury, death, or property damage ("Unintended Uses"). A critical component is any component of a device or system whose failure to perform can be reasonably expected to cause the failure of the device or system, or to affect its safety or effectiveness. Cypress is not liable, in whole or in part, and you shall and hereby do release Cypress from any claim, damage, or other liability arising from or related to all Unintended Uses of Cypress products. You shall indemnify and hold Cypress harmless from and against all claims, costs, damages, and other liabilities, including claims for personal injury or death, arising from or related to any Unintended Uses of Cypress products.

Cypress, the Cypress logo, Spansion, the Spansion logo, and combinations thereof, WICED, PSoC, CapSense, EZ-USB, F-RAM, and Traveo are trademarks or registered trademarks of Cypress in the United States and other countries. For a more complete list of Cypress trademarks, visit cypress.com. Other names and brands may be claimed as property of their respective owners.



Компания «ЭлектроПласт» предлагает заключение долгосрочных отношений при поставках импортных электронных компонентов на взаимовыгодных условиях!

Наши преимущества:

- Оперативные поставки широкого спектра электронных компонентов отечественного и импортного производства напрямую от производителей и с крупнейших мировых складов;
- Поставка более 17-ти миллионов наименований электронных компонентов;
- Поставка сложных, дефицитных, либо снятых с производства позиций;
- Оперативные сроки поставки под заказ (от 5 рабочих дней);
- Экспресс доставка в любую точку России;
- Техническая поддержка проекта, помощь в подборе аналогов, поставка прототипов;
- Система менеджмента качества сертифицирована по Международному стандарту ISO 9001;
- Лицензия ФСБ на осуществление работ с использованием сведений, составляющих государственную тайну;
- Поставка специализированных компонентов (Xilinx, Altera, Analog Devices, Intersil, Interpoint, Microsemi, Aeroflex, Peregrine, Syfer, Eurofarad, Texas Instrument, Miteq, Cobham, E2V, MA-COM, Hittite, Mini-Circuits, General Dynamics и др.);

Помимо этого, одним из направлений компании «ЭлектроПласт» является направление «Источники питания». Мы предлагаем Вам помощь Конструкторского отдела:

- Подбор оптимального решения, техническое обоснование при выборе компонента;
- Подбор аналогов;
- Консультации по применению компонента;
- Поставка образцов и прототипов;
- Техническая поддержка проекта;
- Защита от снятия компонента с производства.



Как с нами связаться

Телефон: 8 (812) 309 58 32 (многоканальный)

Факс: 8 (812) 320-02-42

Электронная почта: org@eplast1.ru

Адрес: 198099, г. Санкт-Петербург, ул. Калинина, дом 2, корпус 4, литера А.