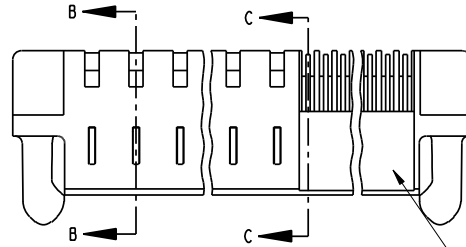


Tous droits strictement réservés. Reproduction ou communication à des tiers interdite, sous quelque forme que ce soit sans autorisation écrite du propriétaire. Propriété de c FCI. Droits de reproduction FCI.

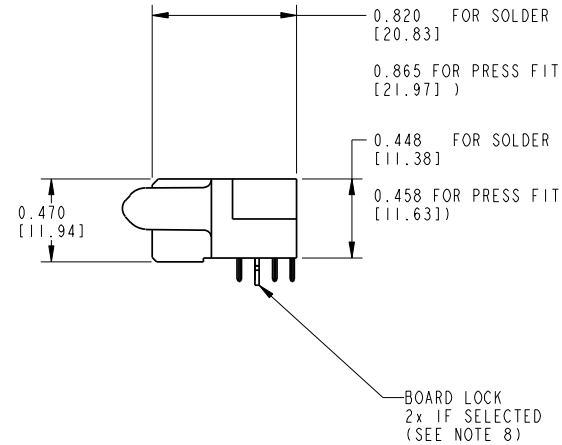
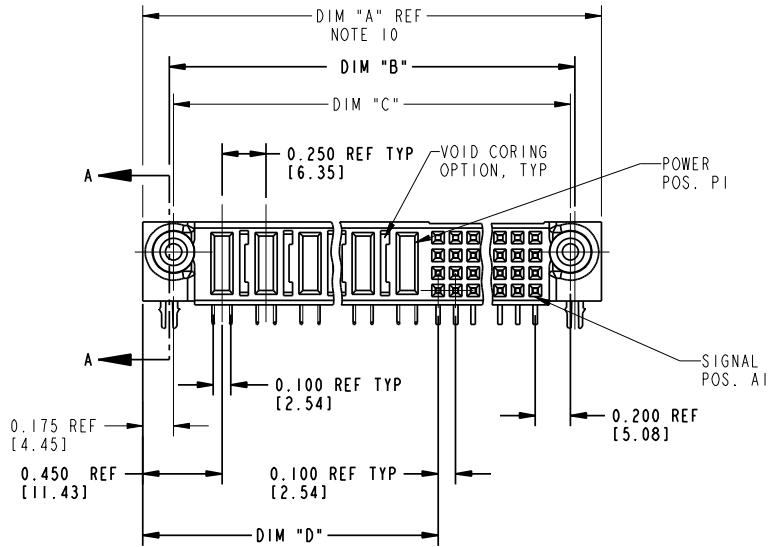


All rights strictly reserved. Reproduction or issue to third parties in any form whatever is not permitted without written authority from the proprietor. Property of FCI. Copyright FCI.

| |
|-------------------------------|
| PRODUCT NUMBER |
| 51761- A00CCDDEF... NOTE ① |
| SEE NOTE 1 |



SEE NOTE 9



| | | | | | | | | |
|--------------------------|-----------|-------|----------|---------------------------------------|----------------------|------------------|--|----------|
| mat'l code SEE NOTE 2 | | | | tolerances unless otherwise specified | | CUSTOMER COPY | FCI www.fciconnect.com | |
| lfr | ecn no. | dr | date | linear | .XX±.01/.X±.3 | projection | title | |
| K | D607-0059 | RYAN | 02/12/07 | angles | .XXX±.005/.XX±.13 | | RIGHT ANGLE RECEPTACLE w/GUIDE PIN SIGNAL/ POWER | |
| L | D607-0061 | JULIA | 02/14/07 | dr | .XXX±.0020/.XXX±.051 | INCH / MM ← → | product family | PWRBLADE |
| M | D608-0239 | JC | 09/11/08 | chr | 0°±2° | | size | code |
| N | D609-0128 | JW | 04/23/09 | appr | J. BROWN 05-18-99 | scale | 213 | |
| P | D611-0074 | HZ | 03/14/11 | | J. BROWN 05-18-99 | 1:1 | dwg no | 51761 |
| sheet index | | | | revision sheet | P P P | SHEET 1 OF 3 | | |
| | | | | 1 2 3 | | | | |

THIS FILE WAS ORIGINALLY CREATED IN THE PRO ENGINEER ENVIRONMENT AND ANY FUTURE REVISIONS TO THIS FILE MUST BE MADE IN THE PRO ENGINEER ENVIRONMENT

form no. 7530-001-103

cage code 22526

Tous droits strictement réservés. Reproduction ou communication à des tiers interdite, sous quelque forme que ce soit sans autorisation écrite du propriétaire. Propriété de c FCI. Droits de reproduction FCI.



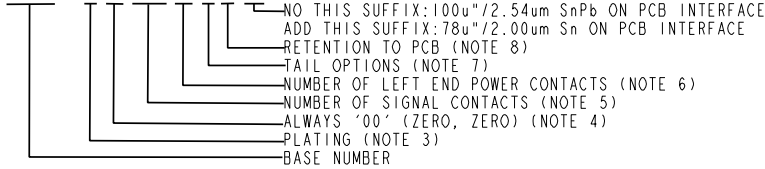
All rights strictly reserved. Reproduction or issue to third parties in any form whatever is not permitted without written authority from the proprietor. Property of FCI. Copyright FCI.

| |
|-----------------------------|
| PRODUCT NUMBER |
| 51761-A00CCDDEF-- NOTE ① |
| SEE NOTE 1 |

| | |
|---------|---|
| DIM | LENGTH FORMULAS (SEE NOTE 10) |
| DIM "A" | .250 [6.35] x DD + .100 [2.54] x (CCC/4) + .650 [16.51] (NOTE 10) |
| DIM "B" | .250 [6.35] x DD + .100 [2.54] x (CCC/4) + .350 [8.89] |
| DIM "C" | .250 [6.35] x DD + .100 [2.54] x (CCC/4) + .300 [7.62] |
| DIM "D" | .250 [6.35] x DD + .375 [9.53] \triangle |
| DIM "F" | .250 [6.35] x DD + .100 [2.54] x (CCC/4) + .680 [17.27] |
| DIM "G" | .250 [6.35] x DD + .225 [5.72] |

CONNECTOR NOTES

① PRODUCT NUMBER CODE:
51761 - A 00 CCC DD E F LF



- ② HOUSING MATERIAL: GLASS FILLED V-O HIGH TEMP THERMO PLASTIC.
SIGNAL CONTACT MATERIAL: COPPER ALLOY
POWER CONTACT MATERIAL: COPPER ALLOY
- ③ PLATING OPTION:
SEE PRINT 10064183 FOR PLATING SPEC OF 51761-100CCDDEF; 51761-100CCDDEFL
- ④ THIS PART IS NOT AVAILABLE WITH RIGHT SIDE POWER CONTACTS.
- ⑤ SIGNAL CONTACTS, 004 TO 148 AVAILABLE FOR SOLDER TO BOARD.
012 TO 148 AVAILABLE FOR PRESS FIT TO BOARD.
- ⑥ LEFT END POWER CONTACTS, 01 TO 20 AVAILABLE.
MAXIMUM OF 20 POWER CONTACTS PER CONNECTOR
- ⑦ TAIL OPTIONS:
A = .135 ± .010 [3.43 ± 0.25] SOLDER TO BOARD
B = .090 + .005 / -.010 [2.29 + 0.13 / -.025] SOLDER TO BOARD
C = .154 ± .010 [3.91 ± 0.25] PRESS FIT TO BOARD

- ⑧ RETENTION TO PCB OPTIONS:
A = BOARD LOCK (REQUIRES .098 + .002 / -.001 [2.49 + 0.05 / - 0.03] THRU HOLE IN PCB
MOUNTING FOOT HEIGHT: .220 [5.59]
B = .150 [3.81] THRU HOLE (REQUIRES .158 ± 0.003 [4.01 ± 0.08] THRU HOLE IN PCB).
MOUNTING FOOT HEIGHT .160 [4.06]
- ⑨ MANUFACTURE'S NAME, P/N, AND DATE CODE TO APPEAR ON THIS SURFACE.
- 10. THE MAXIMUM OVERALL LENGTH (DIM A) OF A PART IS 8.00 [203.2]
- 11. PRODUCT SPECIFICATION GS-12-149
- 12. APPLICATION SPECIFICATION BUS-20-067.
- 13. FOR PRESS FIT CONNECTORS USE FCI CAM TOOL 430140-XXX TO APPLY CONNECTOR TO IPCB.

PCB NOTES:

- 14. ALL DIMENSIONS ARE BASIC UNLESS OTHERWISE SPECIFIED.
- 15. ALL THROUGH HOLES ARE LOCATED WITH A TRUE POSITION OF .004 [0.10]
- 16. ALL HOLE DIAMETERS ARE FINISHED HOLE SIZE.
- 17. \varnothing 0.0453 +/- .001 [1.151 ± 0.02] DRILLED HOLES PLATED WITH 0.0003 [0.007] MIN SnPb OR Sn OVER 0.001 [0.03] TO .003 [0.08] Cu PLATING TO ACHIEVE A .040 ± .003 [1.02 ± 08] HOLE.
- 18. A \triangle SYMBOL WILL BE NEXT TO ANY DIMENSION, VIEW, OR NOTE WHICH HAS BEEN MODIFIED WITH THE CURRENT DRAWING REVISION.

| | | | | | | | | | |
|-------------|----------------|----|------|---------------------------------------|----------------------|---------------|------|--|--------------|
| mat'l code | | | | tolerances unless otherwise specified | | CUSTOMER COPY | | FCI www.fciconnect.com | |
| lir | ecr no. | dr | date | linear | .XX±.01/.X±.3 | projection | | title RIGHT ANGLE RECEPTACLE w/GUIDE PIN SIGNAL / POWER | |
| P | | | | | .XXX±.005/.XX±.13 | | | product family | PWRBLADE |
| | | | | angles | .XXX±.0020/.XXX±.051 | INCH / MM | size | dwg no | 213 |
| | | | | dr | 0° ± 2° | scale | A | 51761 | SHEET 2 OF 3 |
| | | | | enr | D.BOGLE 05-18-99 | | | | |
| | | | | chr | J. BROWN 05-18-99 | | | | |
| | | | | appd | J. BROWN 05-18-99 | | | | |
| sheet index | revision sheet | | | | | | | | |

THIS FILE WAS ORIGINALLY CREATED IN THE PRO ENGINEER ENVIRONMENT AND ANY FUTURE REVISIONS TO THIS FILE MUST BE MADE IN THE PRO ENGINEER ENVIRONMENT

form no. 7530-001-103

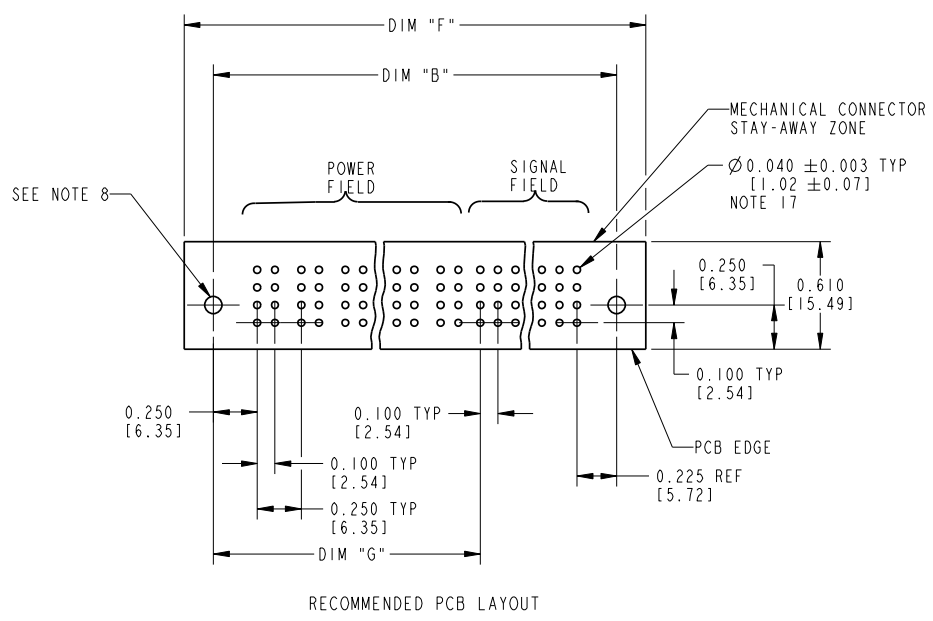
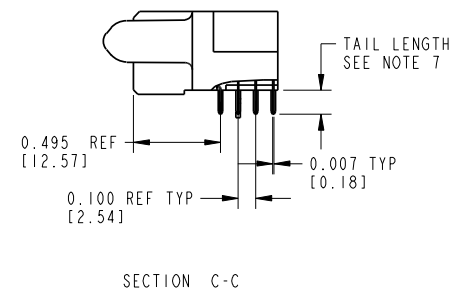
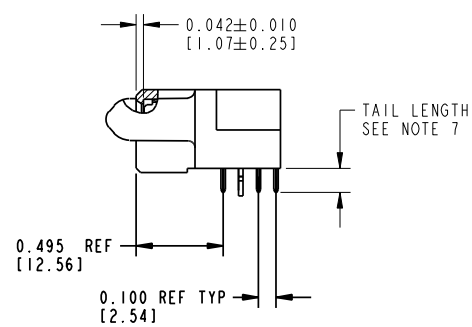
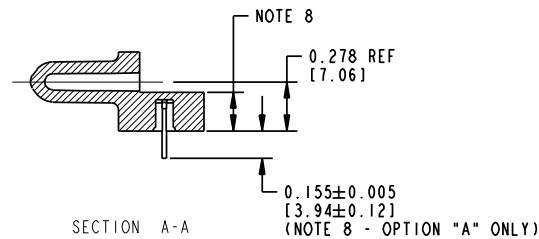
cage code 22526

Tous droits strictement réservés. Reproduction ou communication à des tiers interdite, sous quelque forme que ce soit sans autorisation écrite du propriétaire. Propriété de c FCI. Droits de reproduction FCI.



All rights strictly reserved. Reproduction or issue to third parties in any form whatever is not permitted without written authority from the proprietor. Property of FCI. Copyright FCI.

PRODUCT NUMBER
51761 - A00CCDDEF --
NOTE ①



| | | | | | | | | | |
|-------------|---------|----------------|------|---------------------------------------|----------------------|---------------|--|--|--|
| mat'l code | | | | tolerances unless otherwise specified | | CUSTOMER COPY | | www.fciconnect.com | |
| lfr | ecr no. | dr | date | linear | .XX±.01/.X±.3 | projection | | title | |
| P | | | | | .XXX±.005/.XX±.13 | | | RIGHT ANGLE RECEPTACLE w/GUIDE PIN SIGNAL / POWER | |
| | | | | angles | .XXX±.0020/.XXX±.051 | INCH / MM | | product family | |
| | | | | dr | 0°±2° | scale | | PWRBLADE | |
| | | | | enr | D.BOGLE 05-18-99 | 1:1 | | code | |
| | | | | chr | J. BROWN 05-18-99 | A | | 213 | |
| | | | | appd | J. BROWN 05-18-99 | size | | dwg no | |
| sheet index | | revision sheet | | | | 51761 | | 3 OF 3 | |
| | | | | | | cage code | | 22526 | |

form no. 7530-001-103

cage code 22526



Компания «ЭлектроПласт» предлагает заключение долгосрочных отношений при поставках импортных электронных компонентов на взаимовыгодных условиях!

Наши преимущества:

- Оперативные поставки широкого спектра электронных компонентов отечественного и импортного производства напрямую от производителей и с крупнейших мировых складов;
- Поставка более 17-ти миллионов наименований электронных компонентов;
- Поставка сложных, дефицитных, либо снятых с производства позиций;
- Оперативные сроки поставки под заказ (от 5 рабочих дней);
- Экспресс доставка в любую точку России;
- Техническая поддержка проекта, помощь в подборе аналогов, поставка прототипов;
- Система менеджмента качества сертифицирована по Международному стандарту ISO 9001;
- Лицензия ФСБ на осуществление работ с использованием сведений, составляющих государственную тайну;
- Поставка специализированных компонентов (Xilinx, Altera, Analog Devices, Intersil, Interpoint, Microsemi, Aeroflex, Peregrine, Syfer, Eurofarad, Texas Instrument, Miteq, Cobham, E2V, MA-COM, Hittite, Mini-Circuits, General Dynamics и др.);

Помимо этого, одним из направлений компании «ЭлектроПласт» является направление «Источники питания». Мы предлагаем Вам помощь Конструкторского отдела:

- Подбор оптимального решения, техническое обоснование при выборе компонента;
- Подбор аналогов;
- Консультации по применению компонента;
- Поставка образцов и прототипов;
- Техническая поддержка проекта;
- Защита от снятия компонента с производства.



Как с нами связаться

Телефон: 8 (812) 309 58 32 (многоканальный)

Факс: 8 (812) 320-02-42

Электронная почта: org@eplast1.ru

Адрес: 198099, г. Санкт-Петербург, ул. Калинина, дом 2, корпус 4, литера А.