

PLEASE CHECK WWW.MOLEX.COM FOR LATEST PART INFORMATION

Part Number: [0746951004](#)
Status: **Active**
Overview: vhdm_hsd
Description: 2.00mm (.079") Pitch 5-Row VHDM-HSD™ Backplane Header, Open Module, 40 Circuits, Pin Length 5.15mm (.203")

Documents:

[Drawing \(PDF\)](#) [RoHS Certificate of Compliance \(PDF\)](#)

Agency Certification

CSA LR19880

General

Product Family Backplane Connectors
 Series [74695](#)
 Application Backplane
 Application Tooling Documents http://www.molex.com/pdm_docs/ats/TM-622010999.pdf>Tooling Manual
 Comments Open Header
 Component Type PCB Header
 Overview [vhdm_hsd](#)
 Product Name VHDM-HSD™
 Style N/A

Physical

Circuits (Loaded) 40
 Circuits (maximum) 40
 Color - Resin Black
 Durability (mating cycles max) 200
 First Mate / Last Break No
 Flammability 94V-0
 Guide to Mating Part No
 Keying to Mating Part None
 Material - Metal High Performance Alloy (HPA)
 Material - Plating Mating Gold
 Material - Plating Termination Tin-Lead
 Material - Resin High Temperature Thermoplastic
 Number of Columns 10
 Number of Pairs Open Pin Field
 Number of Rows 5
 Orientation Vertical
 PCB Retention None
 PCB Thickness Recommended (in) 0.070 In
 PCB Thickness Recommended (mm) 1.80 mm
 Packaging Type Tube
 Pitch - Mating Interface (in) 0.079 In
 Pitch - Mating Interface (mm) 2.00 mm
 Plating min: Mating (µin) 30
 Plating min: Mating (µm) 0.75
 Plating min: Termination (µin) 30
 Plating min: Termination (µm) 0.75
 Polarized to PCB Yes
 Surface Mount Compatible (SMC) Yes
 Temperature Range - Operating -55°C to +105°C
 Termination Interface: Style Through Hole - Compliant Pin

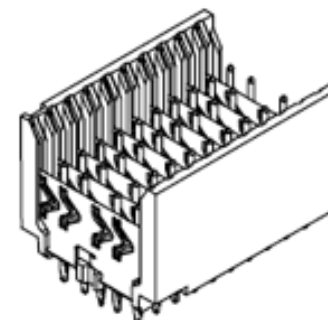


image - Reference only

Series

EU RoHS

RoHS Compliant by Exemption
REACH SVHC
 Not Reviewed
Halogen-Free
Status
Not Reviewed

China RoHS



Need more information on product environmental compliance?

Email productcompliance@molex.com
 For a multiple part number RoHS Certificate of Compliance, [click here](#)

Please visit the [Contact Us](#) section for any non-product compliance questions.

Search Parts in this Series

[74695Series](#)

Mates With

[74670 HSD Daughtercard](#)

Application Tooling | FAQ

Tooling specifications and manuals are found by selecting the products below. Crimp Height Specifications are then contained in the Application Tooling Specification document.

Global

Description	Product #
VHDM® Signal Pin Inserter Repair Tool	0622015700
VHDM® 5 Row and Shield Repair Tool	0622015810
VHDM® 5 Row Shield Extraction Tool	0622016010
VHDM-HSD™ Signal Header, 5 Row by	0622020201

10 Wide, 20.00mm
(.787")

Electrical

Current - Maximum per Contact	1A
Data Rate	5.0 Gbps
Shielded	Yes
Voltage - Maximum	120V AC (RMS)/DC

Material Info

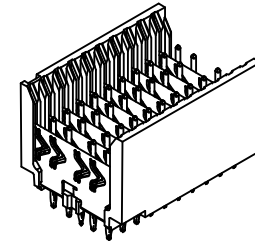
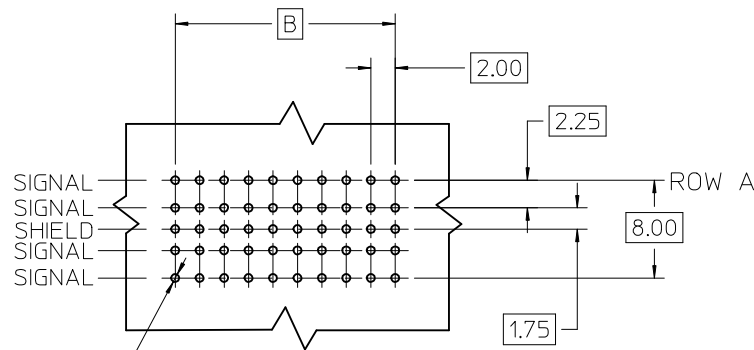
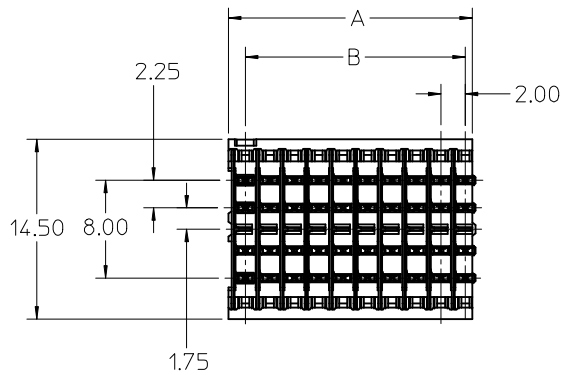
Reference - Drawing Numbers

Packaging Specification	PK-74695-003
Sales Drawing	SD-74695-002

VHDM-HSD is a trademark of Amphenol Corporation

This document was generated on 06/08/2010

PLEASE CHECK WWW.MOLEX.COM FOR LATEST PART INFORMATION

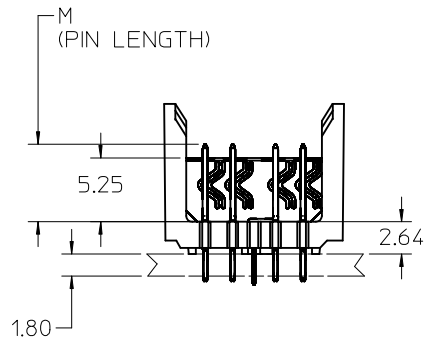
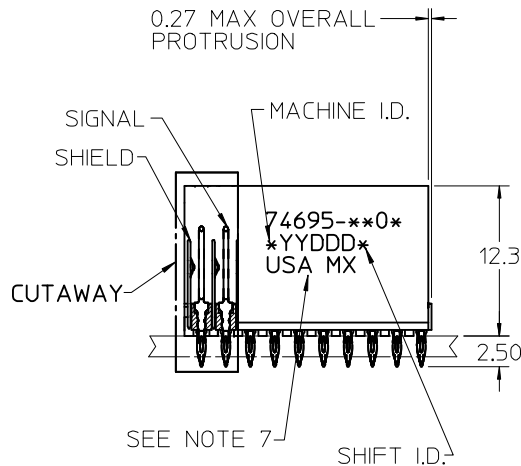


Ø0.66 DRILL
 Ø0.56 ±0.05 PTH
 Ø1.00 PAD

⊕ Ø0.10

**BACKPLANE HOLE PATTERN
 RECOMMENDED DIMENSION**

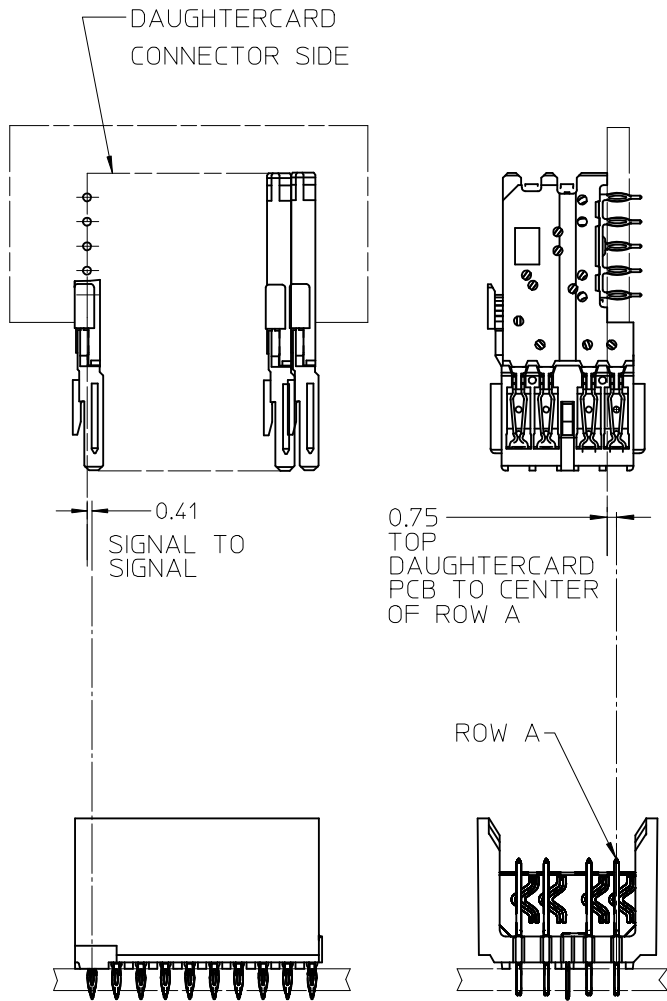
0.27 MAX OVERALL PROTRUSION



NOTES:

1. MATERIAL: HOUSING -LIQUID CRYSTAL POLYMER (LCP). GLASS-FILLED. UL 94 V-0. COLOR BLACK. SIGNAL & SHIELD -COPPER ALLOY.
2. FINISHES: SELECTIVE GOLD (Au) ON CONTACT AREA. SELECTIVE TIN/LEAD (Sn/Pb) OR SELECTIVE MATTE TIN (Sn) ON PCB TAILS. NICKEL (Ni) OVERALL.
3. THIS PART CONFORMS TO MOLEX PRODUCT SPECIFICATION PS-74031-999.
4. FOR MIXED CONTACT MATING LENGTHS CONSULT MOLEX FOR AVAILABILITY.
5. FOR SPECIFIC PART NUMBER AND MATING INFORMATION REFER TO SHEET 2.
6. PACKAGE PER PK-74695-003.
7. EITHER MARK PART NUMBER AND DATE CODE APPROXIMATELY WHERE SHOWN OR PLACE LABEL ON THE TUBE.

REVISED: ADD LEAD-FREE EC NO: UCP2006-1727 DRWN: CTHOMAS 2006/02/16 CHKD: JBINGHAM 2006/02/16 APPR: KYULVEY 2006/02/16	DESCRIPTION D	QUALITY SYMBOLS	GENERAL TOLERANCES (UNLESS SPECIFIED)	SCALE 2.5:1	DESIGN UNITS METRIC	THIRD ANGLE PROJECTION	REVISE ON CAD ONLY
		▽ -0 ∇ -0	mm INCH 4 PLACES ± --- ± --- 3 PLACES ± --- ± --- 2 PLACES ± --- ± --- 1 PLACE ± --- ± --- ANGULAR ±1/2°	DIMENSION STYLE MM ONLY	TITLE HSD SALES ASSEMBLY 5 ROW OPEN END BACKPLANE		
		DRAFT WHERE APPLICABLE MUST REMAIN WITHIN DIMENSIONS	DRAWN BY: MQWANG DATE: 2001/04/11 CHECKED BY: NMARTIN DATE: 2001/04/14 APPROVED BY: CBIXLER DATE: 2001/04/14	MOLEX INCORPORATED MATERIAL NO. SEE SHT.2&3 DOCUMENT NO. SD-74695-002 SHEET NO. 1 OF 3			
		THIS DRAWING CONTAINS INFORMATION THAT IS PROPRIETARY TO MOLEX INCORPORATED AND SHOULD NOT BE USED WITHOUT WRITTEN PERMISSION					



MATERIAL NUMBER ASSIGNMENT

74695-** ** SEE TABLES (SHEET 3)

- NUMBER OF COLUMNS/PLATING
- 10 = 10 COLUMN TIN/LEAD
- 12 = 12 COLUMN TIN/LEAD
- 15 = 15 COLUMN TIN/LEAD
- 25 = 25 COLUMN TIN/LEAD
- 90 = 10 COLUMN MATTE TIN
- 92 = 12 COLUMN MATTE TIN
- 95 = 15 COLUMN MATTE TIN
- 85 = 25 COLUMN MATTE TIN

REVISED: ADD LEAD-FREE EC NO: UCP2006-1727 DRWN:CTHOMAS 2006/02/16 CHKD:JBINGHAM 2006/02/16 APPR:KMYLVEY 2006/02/16	DESCRIPTION REV	QUALITY SYMBOLS	GENERAL TOLERANCES (UNLESS SPECIFIED)		SCALE 2.5:1	DESIGN UNITS METRIC	THIRD ANGLE PROJECTION	REVISE ON CAD ONLY	
		▼ - 0 ∇ - 0	mm	INCH	DIMENSION STYLE MM ONLY		TITLE HSD SALES ASSEMBLY 5 ROW OPEN END BACKPLANE		
			4 PLACES ± --- ± ---	3 PLACES ± --- ± ---	DRAWN BY MQWANG	DATE 2001/04/11	MOLEX INCORPORATED MATERIAL NO. SEE TABLES DOCUMENT NO. SD-74695-002 SHEET NO. 2 OF 3		
			2 PLACES ± --- ± ---	1 PLACE ± --- ± ---	CHECKED BY NMARTIN	DATE 2001/04/14			
ANGULAR ±1/2°		DRAFT WHERE APPLICABLE MUST REMAIN WITHIN DIMENSIONS		APPROVED BY CBIXLER	DATE 2001/04/14	THIS DRAWING CONTAINS INFORMATION THAT IS PROPRIETARY TO MOLEX INCORPORATED AND SHOULD NOT BE USED WITHOUT WRITTEN PERMISSION			

PART NUMBER	COLUMN	NUMBER OF SIGNAL PINS	NUMBER OF SHIELDS	A	B	M	Au (um) THICKNESS	Sn/Pb (um)	
74695-1001	10	40	10	20.00	18.00	4.75	0.76	0.76-1.52	
74695-1006							1.27		
74695-1201	12	48	12	24.00	22.00		0.76		
74695-1206							1.27		
74695-2501	25	100	25	50.00	48.00	0.76			
74695-2506						1.27			
74695-1002	10	40	10	20.00	18.00	0.76	0.76-1.52		
74695-1007						1.27			
74695-1202	12	48	12	24.00	22.00	0.76			
74695-1207						1.27			
74695-2502	25	100	25	50.00	48.00	0.76			
74695-2507						1.27			
74695-1003	10	40	10	20.00	18.00	0.76			0.76-1.52
74695-1008						1.27			
74695-1203	12	48	12	24.00	22.00	0.76			
74695-1208						1.27			
74695-2503	25	100	25	50.00	48.00	0.76			
74695-2508						1.27			
74695-1004	10	40	10	20.00	18.00	0.76		0.76-1.52	
74695-1009						1.27			
74695-1204	12	48	12	24.00	22.00	0.76			
74695-1209						1.27			
74695-2504	25	100	25	50.00	48.00	0.76			
74695-2509						1.27			

TIN/LEAD CHART

PART NUMBER	COLUMN	NUMBER OF SIGNAL PINS	NUMBER OF SHIELDS	A	B	M	Au (um) THICKNESS	Sn (um)	
74695-9001	10	40	10	20.00	18.00	4.75	0.76	0.76-1.52	
74695-9006							1.27		
74695-9501	12	48	12	24.00	22.00		0.76		
74695-9506							1.27		
74695-8501	25	100	25	50.00	48.00	0.76			
74695-8506						1.27			
74695-9002	10	40	10	20.00	18.00	0.76	0.76-1.52		
74695-9007						1.27			
74695-9502	12	48	12	24.00	22.00	0.76			
74695-9507						1.27			
74695-8502	25	100	25	50.00	48.00	0.76			
74695-8507						1.27			
74695-9003	10	40	10	20.00	18.00	0.76			0.76-1.52
74695-9008						1.27			
74695-9503	12	48	12	24.00	22.00	0.76			
74695-9508						1.27			
74695-8503	25	100	25	50.00	48.00	0.76			
74695-8508						1.27			
74695-9004	10	40	10	20.00	18.00	0.76		0.76-1.52	
74695-9009						1.27			
74695-9504	12	48	12	24.00	22.00	0.76			
74695-9509						1.27			
74695-8504	25	100	25	50.00	48.00	0.76			
74695-8509						1.27			

LEAD FREE CHART

ADDED SHEET: 3 EC NO: UCP2006-1727 DRWING: THOMAS 2006/02/16 CHKD: JBI NGHAM 2006/02/16 APPR: KMULVEY 2006/02/16	QUALITY SYMBOLS 	GENERAL TOLERANCES (UNLESS SPECIFIED)		DIMENSION STYLE MM ONLY	SCALE METRIC	THIRD ANGLE PROJECTION
		4 PLACES ± --- mm ± --- INCH	DRAWN BY MQWANG 2001/04/11	TITLE HSD SALES ASSEMBLY 5 ROW OPEN END BACKPLANE		
		3 PLACES ± --- mm ± --- INCH	CHECKED BY NMARTIN 2001/04/14	MOLEX INCORPORATED		
		2 PLACES ± --- mm ± --- INCH	APPROVED BY CBIXLER 2001/04/14	MATERIAL NO. SEE TABLES	DOCUMENT NO. SD-74695-002	
1 PLACE ± --- mm ± --- INCH	ANGULAR ±1/2°	DRAFT WHERE APPLICABLE MUST REMAIN WITHIN DIMENSIONS		SIZE 	SHEET NO. 3 OF 3	
THIS DRAWING CONTAINS INFORMATION THAT IS PROPRIETARY TO MOLEX INCORPORATED AND SHOULD NOT BE USED WITHOUT WRITTEN PERMISSION						



Компания «ЭлектроПласт» предлагает заключение долгосрочных отношений при поставках импортных электронных компонентов на взаимовыгодных условиях!

Наши преимущества:

- Оперативные поставки широкого спектра электронных компонентов отечественного и импортного производства напрямую от производителей и с крупнейших мировых складов;
- Поставка более 17-ти миллионов наименований электронных компонентов;
- Поставка сложных, дефицитных, либо снятых с производства позиций;
- Оперативные сроки поставки под заказ (от 5 рабочих дней);
- Экспресс доставка в любую точку России;
- Техническая поддержка проекта, помощь в подборе аналогов, поставка прототипов;
- Система менеджмента качества сертифицирована по Международному стандарту ISO 9001;
- Лицензия ФСБ на осуществление работ с использованием сведений, составляющих государственную тайну;
- Поставка специализированных компонентов (Xilinx, Altera, Analog Devices, Intersil, Interpoint, Microsemi, Aeroflex, Peregrine, Syfer, Eurofarad, Texas Instrument, Miteq, Cobham, E2V, MA-COM, Hittite, Mini-Circuits, General Dynamics и др.);

Помимо этого, одним из направлений компании «ЭлектроПласт» является направление «Источники питания». Мы предлагаем Вам помощь Конструкторского отдела:

- Подбор оптимального решения, техническое обоснование при выборе компонента;
- Подбор аналогов;
- Консультации по применению компонента;
- Поставка образцов и прототипов;
- Техническая поддержка проекта;
- Защита от снятия компонента с производства.



Как с нами связаться

Телефон: 8 (812) 309 58 32 (многоканальный)

Факс: 8 (812) 320-02-42

Электронная почта: org@eplast1.ru

Адрес: 198099, г. Санкт-Петербург, ул. Калинина, дом 2, корпус 4, литера А.