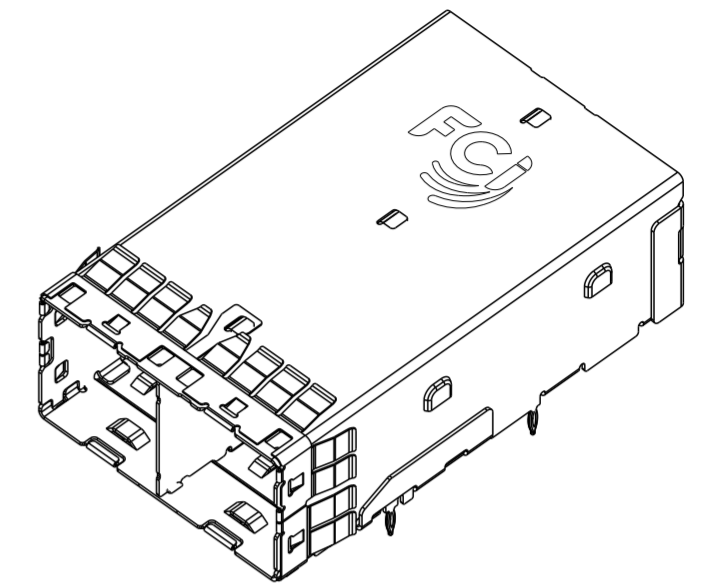
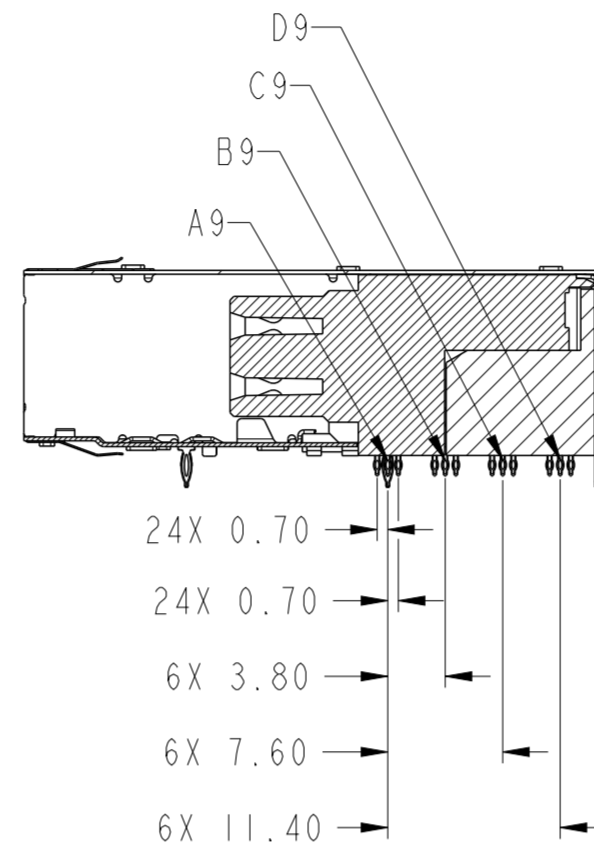
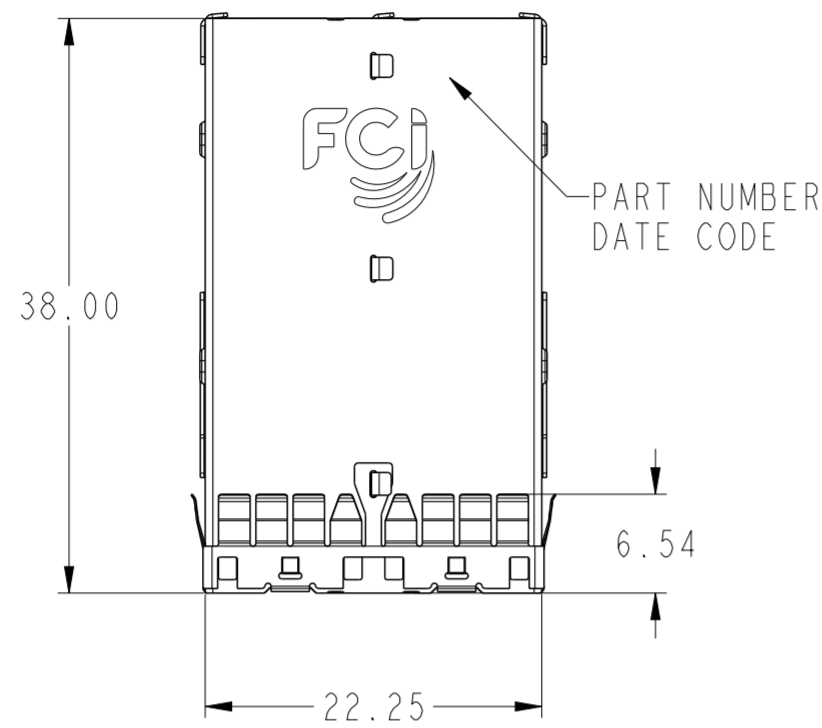
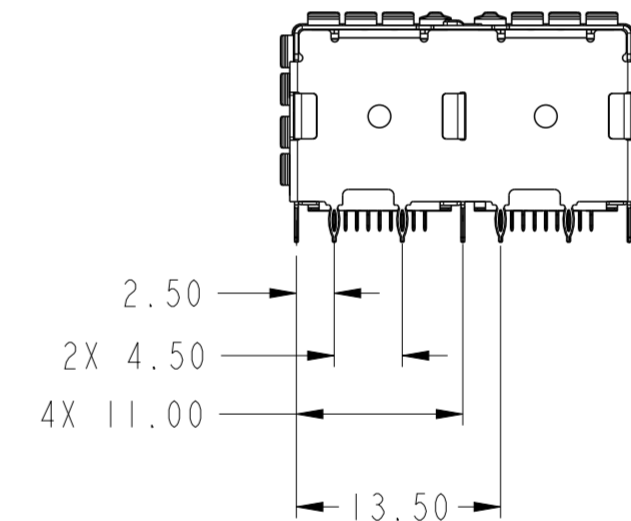
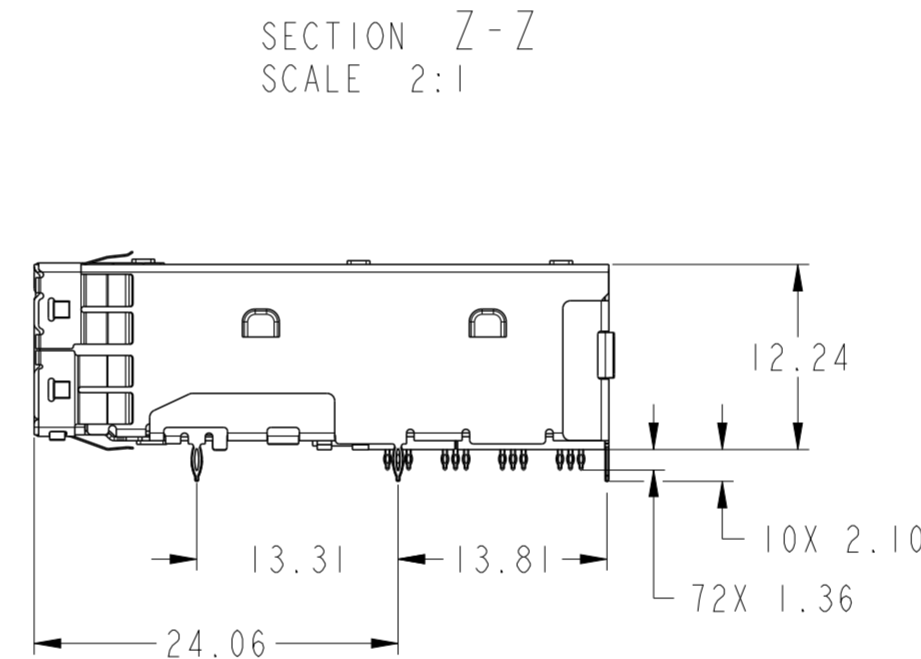
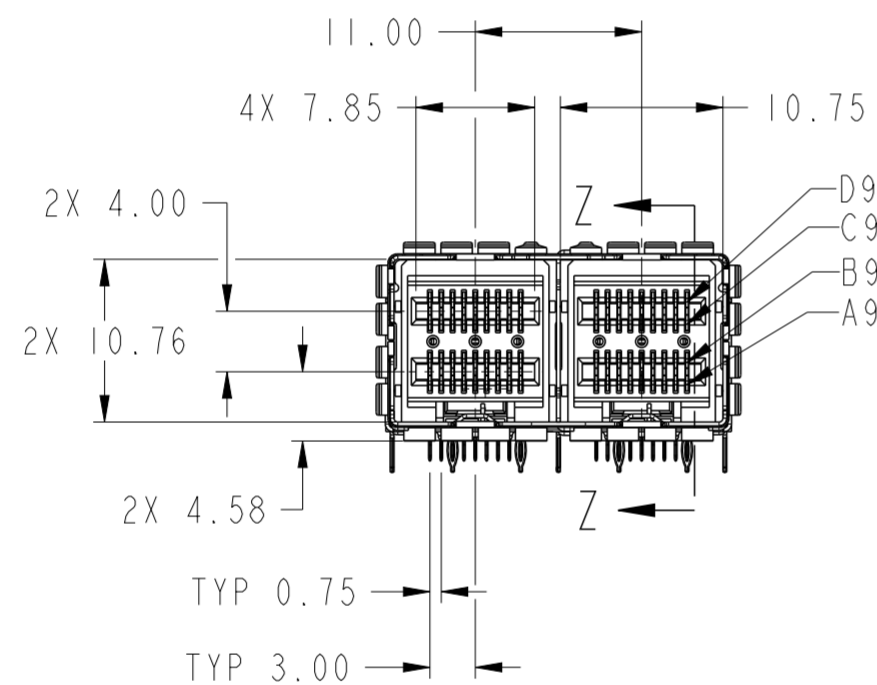


PRODUCT NUMBER	TAIL PLATING OPTION, SEE NOTE 2	DESCRIPTION
10112627-101	OPTION 1	WITHOUT STOPS
10112627-101LF	OPTION 2	WITHOUT STOPS
10112627-102	OPTION 1	WITH STOPS
10112627-102LF	OPTION 2	WITH STOPS



10112627-101 & 101LF  
WITHOUT STOPS



NOTES:

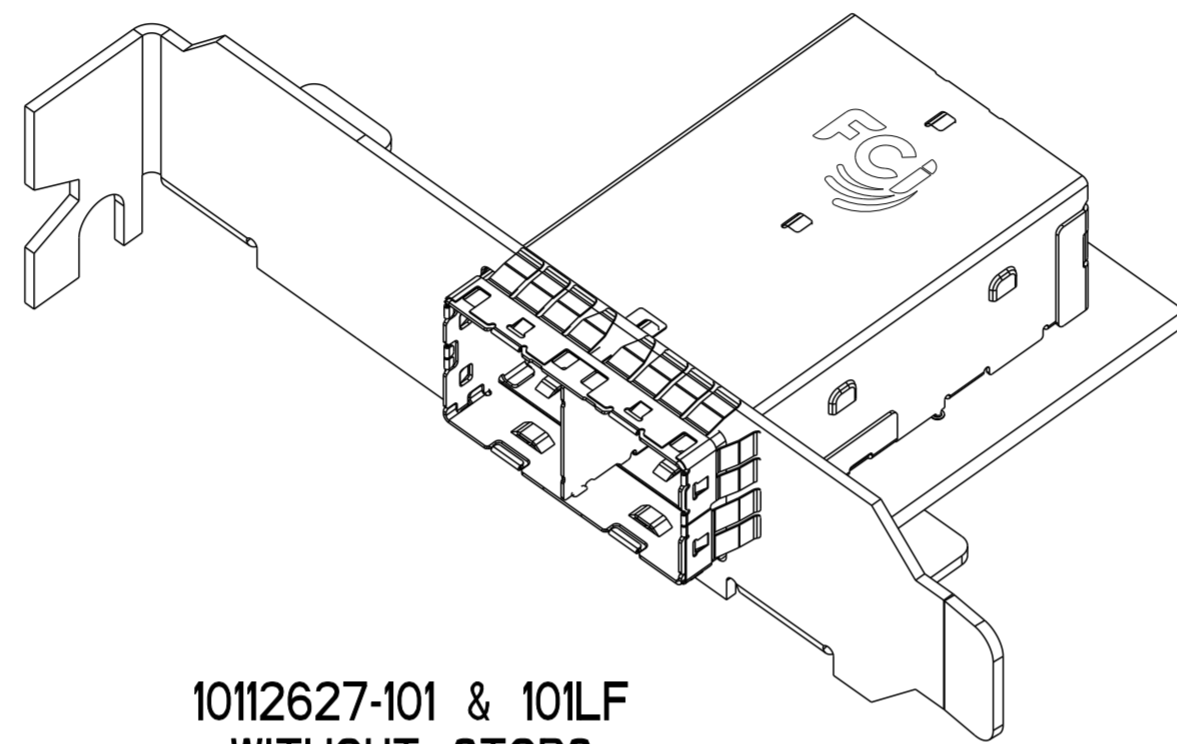
- MATERIALS:  
CONNECTOR HOUSING: HIGH TEMPERATURE THERMOPLASTIC  
GLASS FILLED, UL 94V-0  
EMI CAGE: NICKEL SILVER ALLOY  
EMI FINGERS: COPPER ALLOY  
TERMINALS: COPPER ALLOY
- FINISHES:  
EMI FINGERS: 0.50µm MIN NICKEL  
CONTACT AREA: 0.76µm MIN GOLD OVER 2.54µm MIN NICKEL  
TAIL AREA:  
OPTION 1: 0.76µm - 1.52µm TIN/LEAD (90/10) OVER 2.54µm MIN NICKEL  
OPTION 2: 0.76µm - 1.52µm TIN (LEAD FREE) OVER 2.54µm MIN NICKEL
- PRODUCT SPECIFICATION: GS-12-651.  
APPLICATION SPECIFICATION: GS-20-0327
- MOUNTING HARDWARE: M2X0.4 BUTTON HEAD SCREW  
MOUNTING SCREW LENGTH: BOARD THICKNESS + 1.4mm MAX (0.9mm MIN).  
2 REQUIRED PER ASSEMBLY
- THIS CONNECTOR IS DESIGNED TO MEET THE REQUIREMENTS OF  
INDUSTRY SPECIFICATION SFF-8644.
- THE USE OF A PCI BRACKET OR EQUIVALENT IS REQUIRED FOR THIS PRODUCT
- A SYMBOL WILL BE NEXT TO ANY DIMENSION, VIEW, OR NOTE THAT  
HAS BEEN MODIFIED WITH THE CURRENT DRAWING REVISION.

MATES WITH MINI-SAS HD ENDS IN:
10112041 SERIES (4X)
10117771 SERIES (4X)
10117946 SERIES (4X)
10117949 SERIES (4X)
10117947 SERIES (8X)
10112359 SERIES (8X)
10117950 SERIES (8X)
10117948 SERIES (8X)

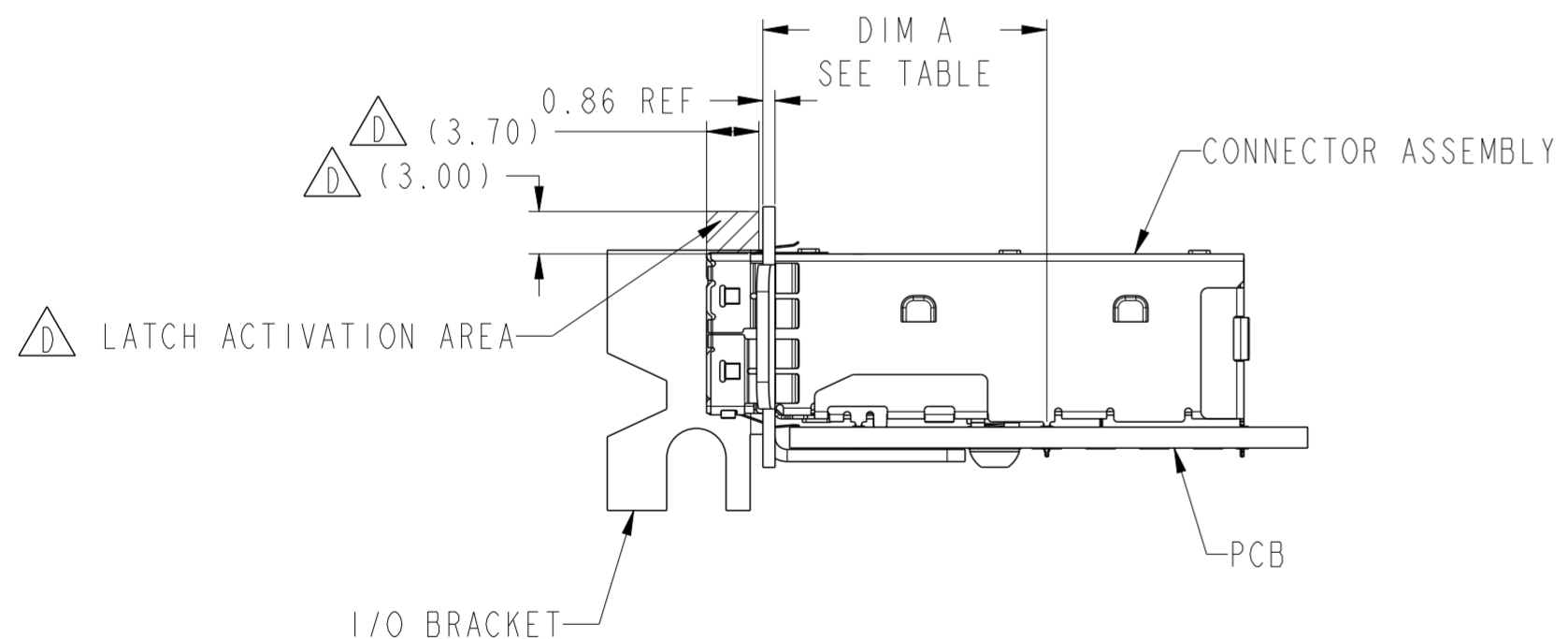
spec ref	-	dr	Mark Gray	2010/08/04	projection	MM	size	A2	scale	2:1
tolerance std	ASME Y14.5	eng	M Scholeno	2012/09/10	chr	-	ecn no	ELX-V-012260-1	rel level	Released
surface	✓	appr	Brad Brubaker	2012/09/12	product family	MINI-SAS HD	dwg no	10112627	rev	D
ASME Y14.5	linear	0.X	±0.25	0.XX	±0.13	0.XXX	±	angular	0°	±1/2°
		www.fci.com		cat. no.		Product - Customer Drw		sheet 1 of 7		

APPLICATION	DIM A
PCI ADD-IN CARD	19.00±0.15
ALL OTHER APPLICATIONS	20.08±0.15

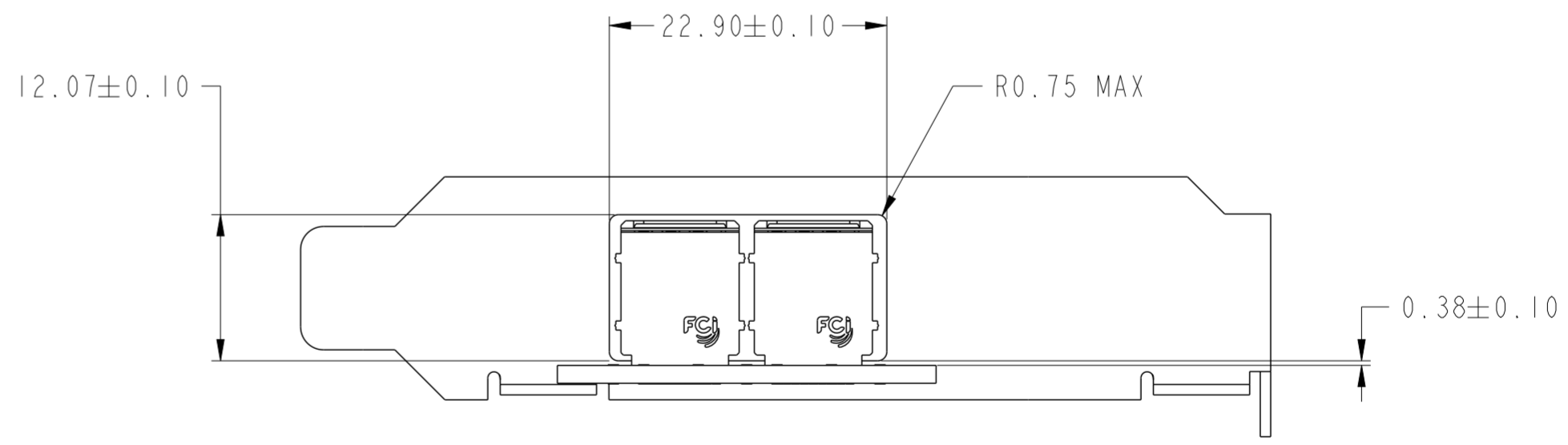
I/O BRACKET CUT OUT  
(BRACKET NOT INCLUDED)  
SEE NOT 6



10112627-101 & 101LF  
WITHOUT STOPS  
SCALE 2:1

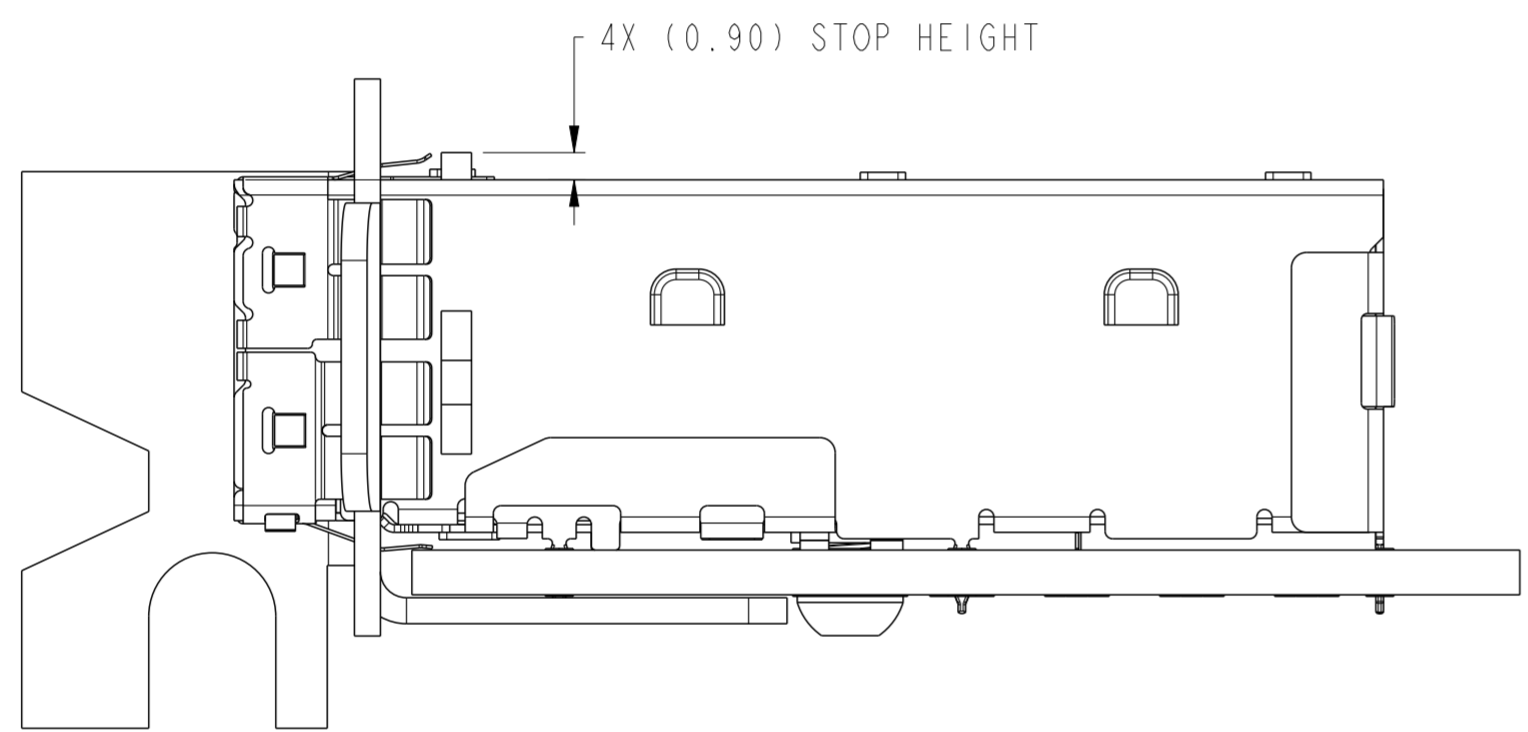


ASSEMBLED VIEW  
WITHOUT STOPS  
SCALE 2:1

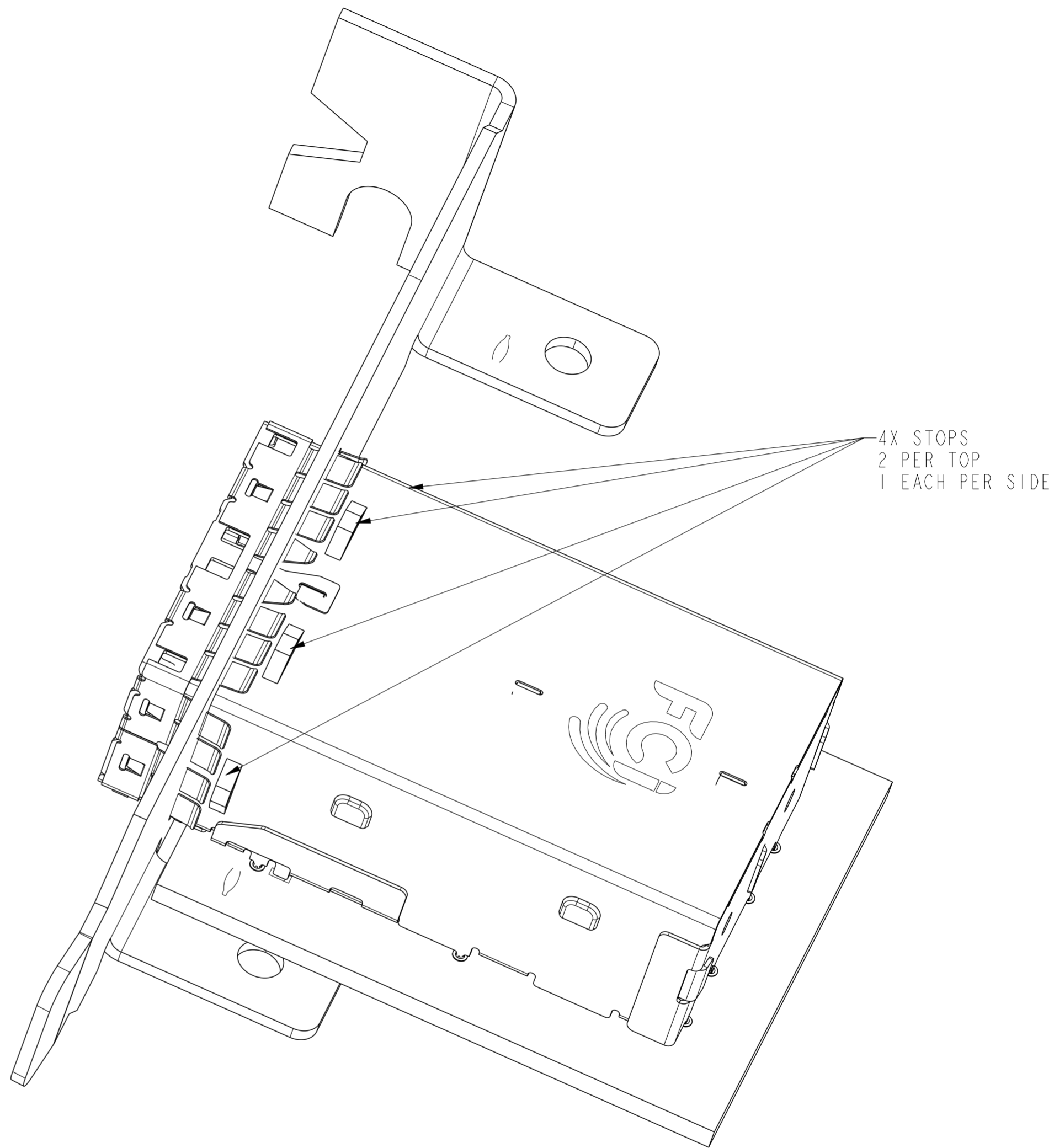


spec ref	-	dr	Mark Gray	2010/08/04	projection	MM	size	A2	scale	1:1					
tolerance std	ASME Y14.5	eng	M Scholeno	2012/09/10			ecn no	ELX-V-012260-1	rel level	Released					
TOLERANCES UNLESS OTHERWISE SPECIFIED		chr	-	product family							MINI-SAS HD				
surface	✓	appr	Brad Brubaker	2012/09/12	title	IX2 EXTERNAL ASSEMBLY		dwg no	10112627	rev	D				
ASME Y14.5	linear	0.X	±0.25	0.XX	±0.13	0.XXX	±	angular	0°	±1/2°	www.fci.com	cat. no.	-	Product - Customer Drw	sheet 2 of 7

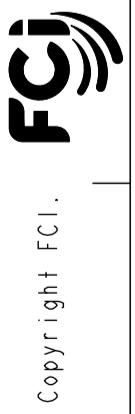
Copyright FCI. FCI



ASSEMBLED VIEW  
WITH STOPS  
SCALE 4:1



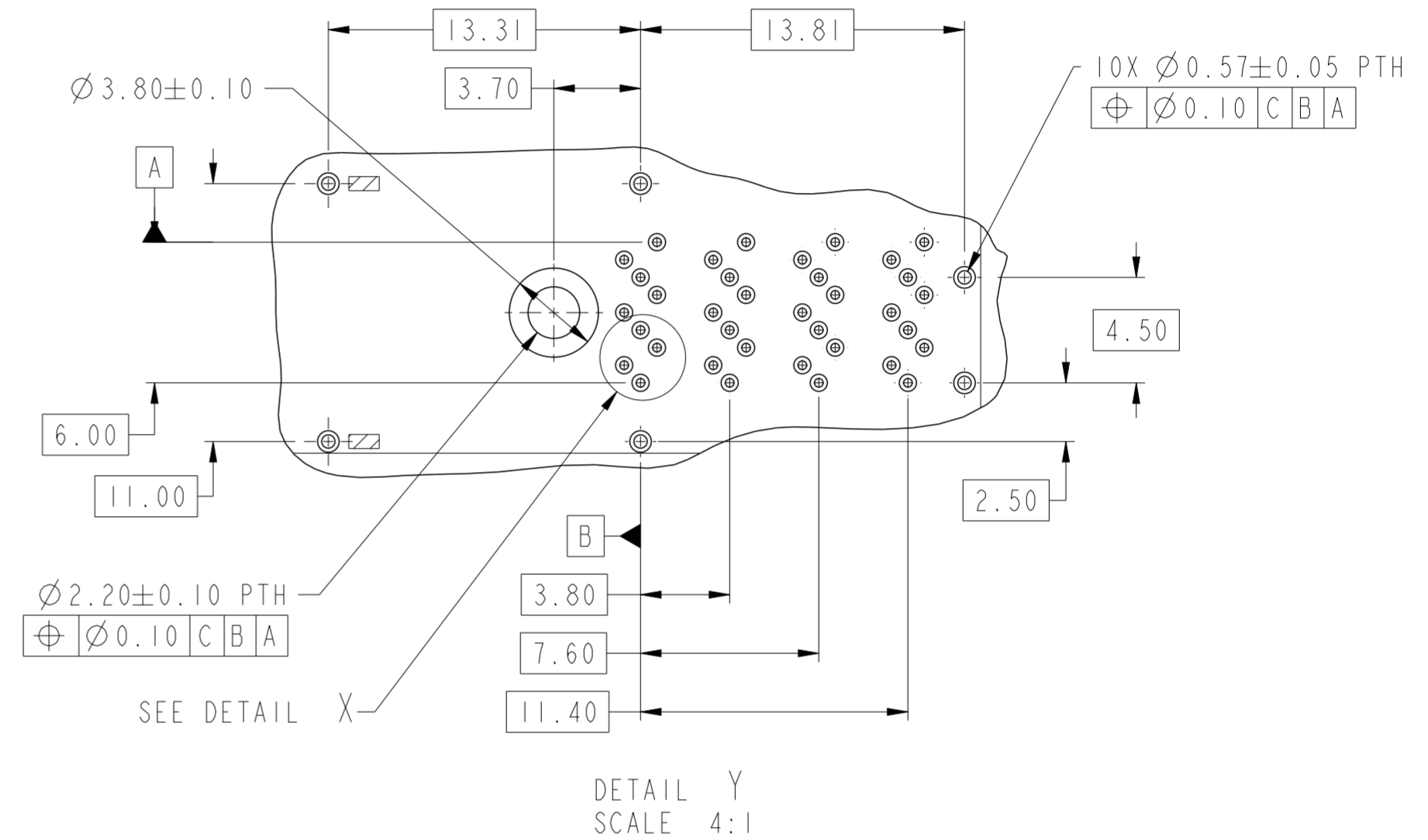
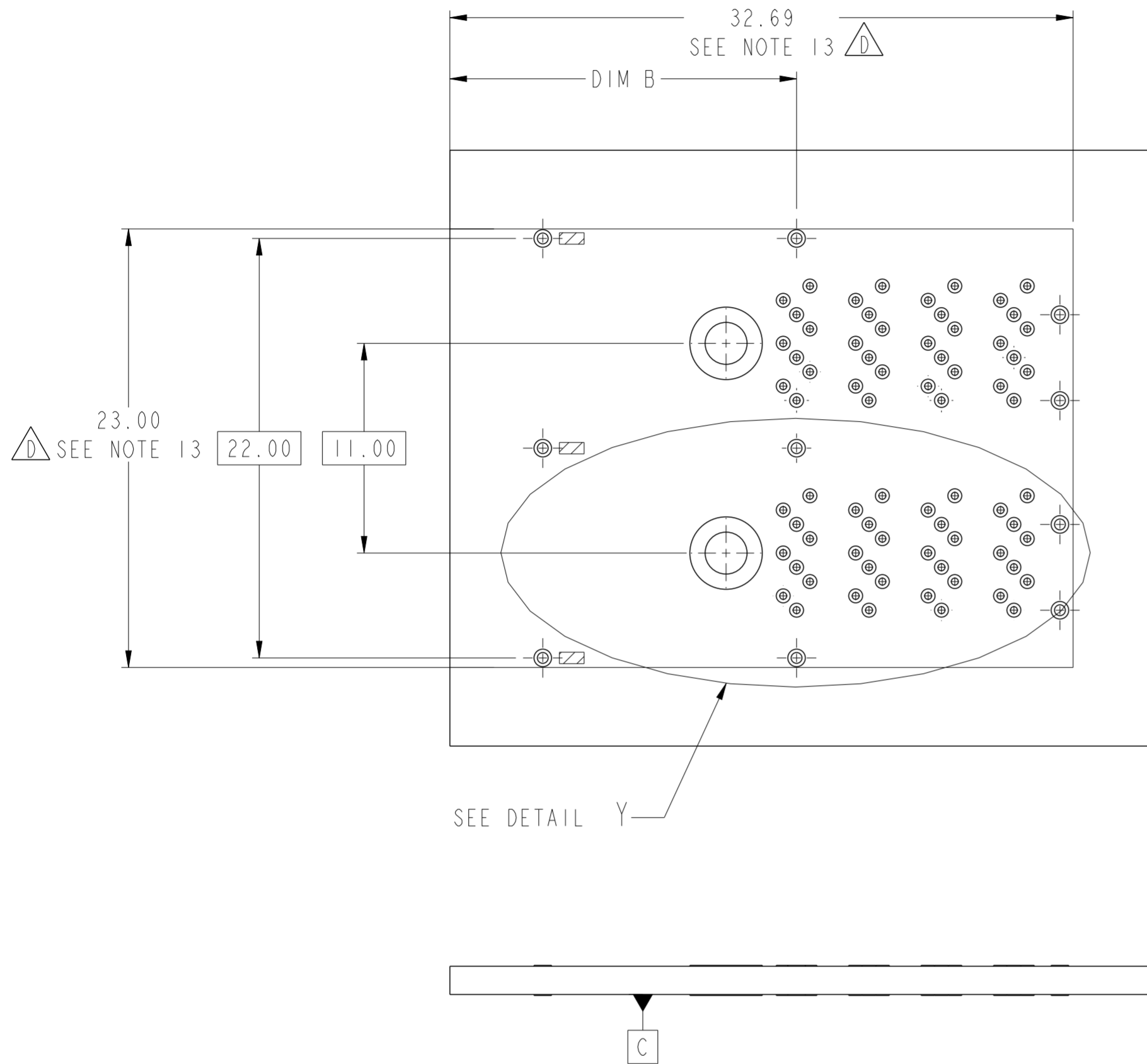
10112627-102 & 102LF  
WITH STOPS  
SCALE 4:1



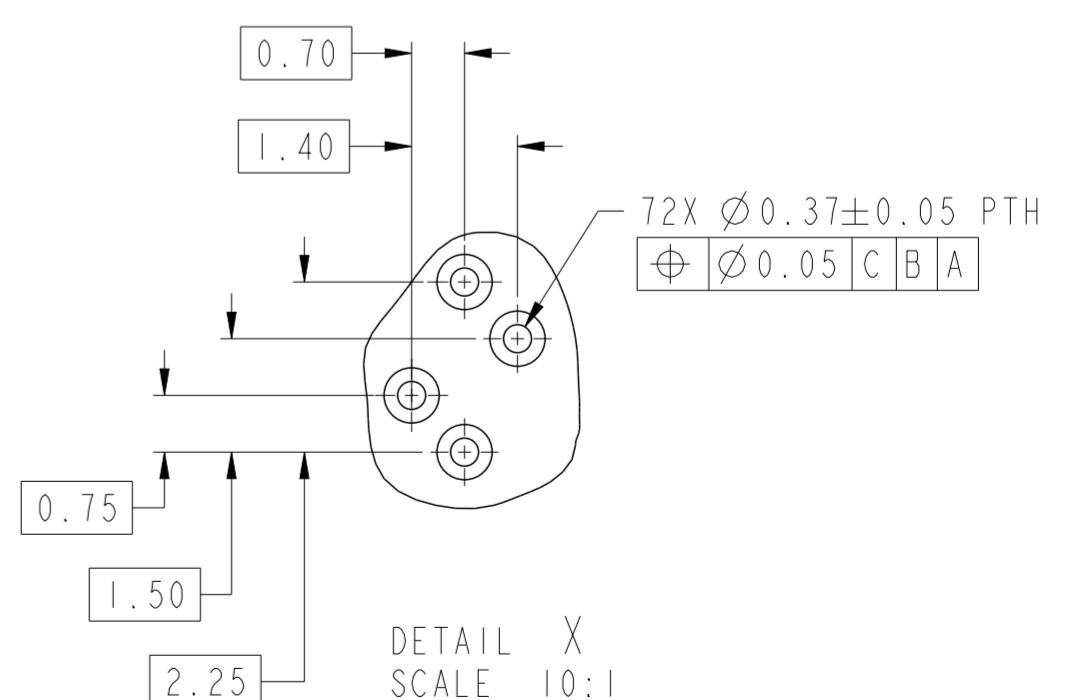
spec ref -		dr Mark Gray 2010/08/04		projection	MM	size A2	scale 1:1
tolerance std ASME Y14.5		eng M Scholeno 2012/09/10				ecn no ELX-V-012260-1	
TOLERANCES UNLESS OTHERWISE SPECIFIED		chr -				rel level Released	
ASME Y14.5		appr Brad Brubaker 2012/09/12		product family MINI-SAS HD		rev D	
surface ✓	linear	0.X	±0.25		title IX2 EXTERNAL ASSEMBLY MINI-SAS HD	dwg no 10112627	sheet 3 of 7
		0.XX	±0.13				
		0.XXX	±				
ASME Y14.5	angular	0°	±1/2°	www.fci.com	cat. no. -	Product - Customer Draw	status PDS: Rev :D

APPLICATION	DIM B
PCI ADD-IN CARD	17.10±0.15
ALL OTHER APPLICATIONS	18.19±0.15

# RECOMMENDED BOARD LAYOUT



DETAIL Y  
SCALE 4:1



DETAIL X  
SCALE 10:1

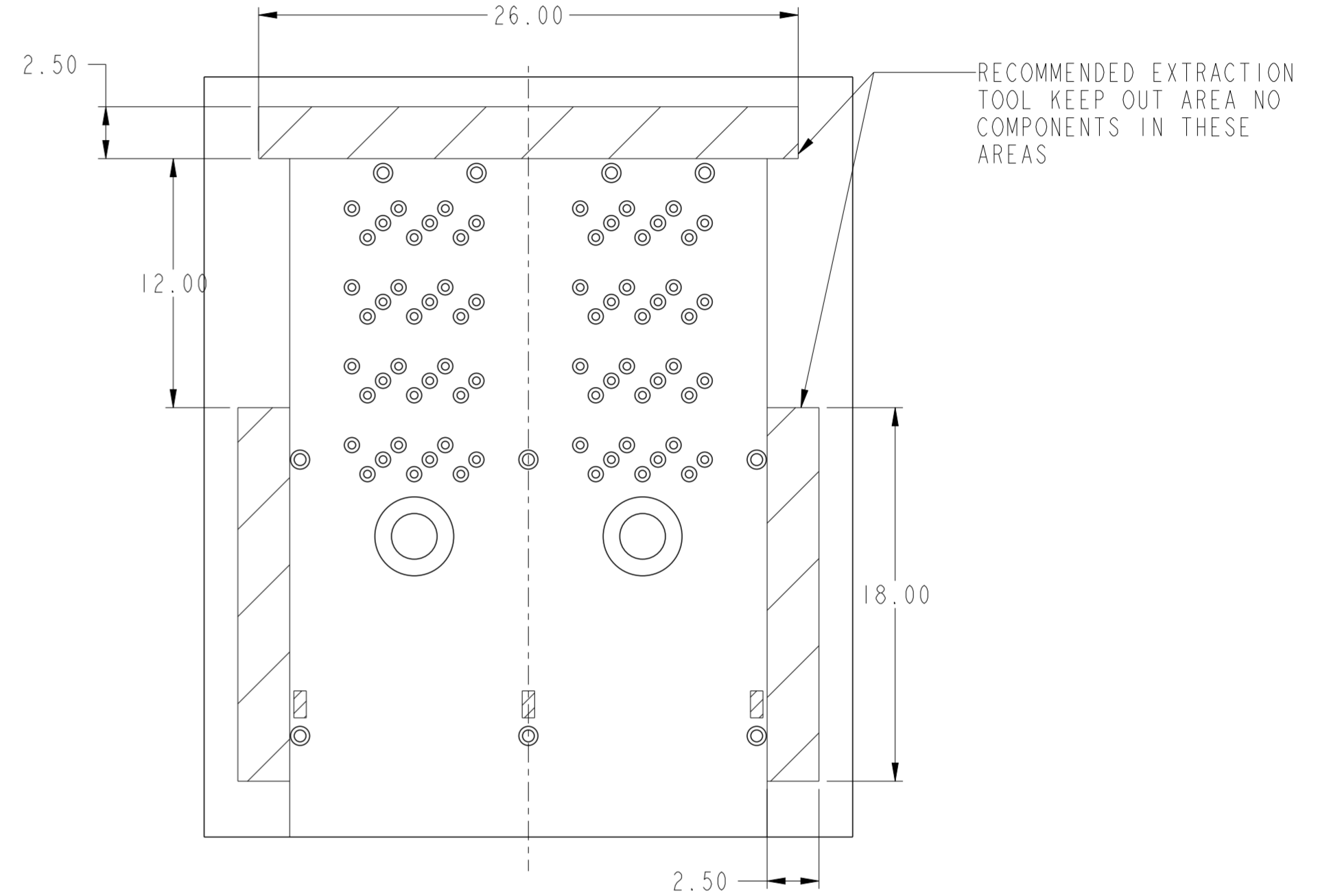
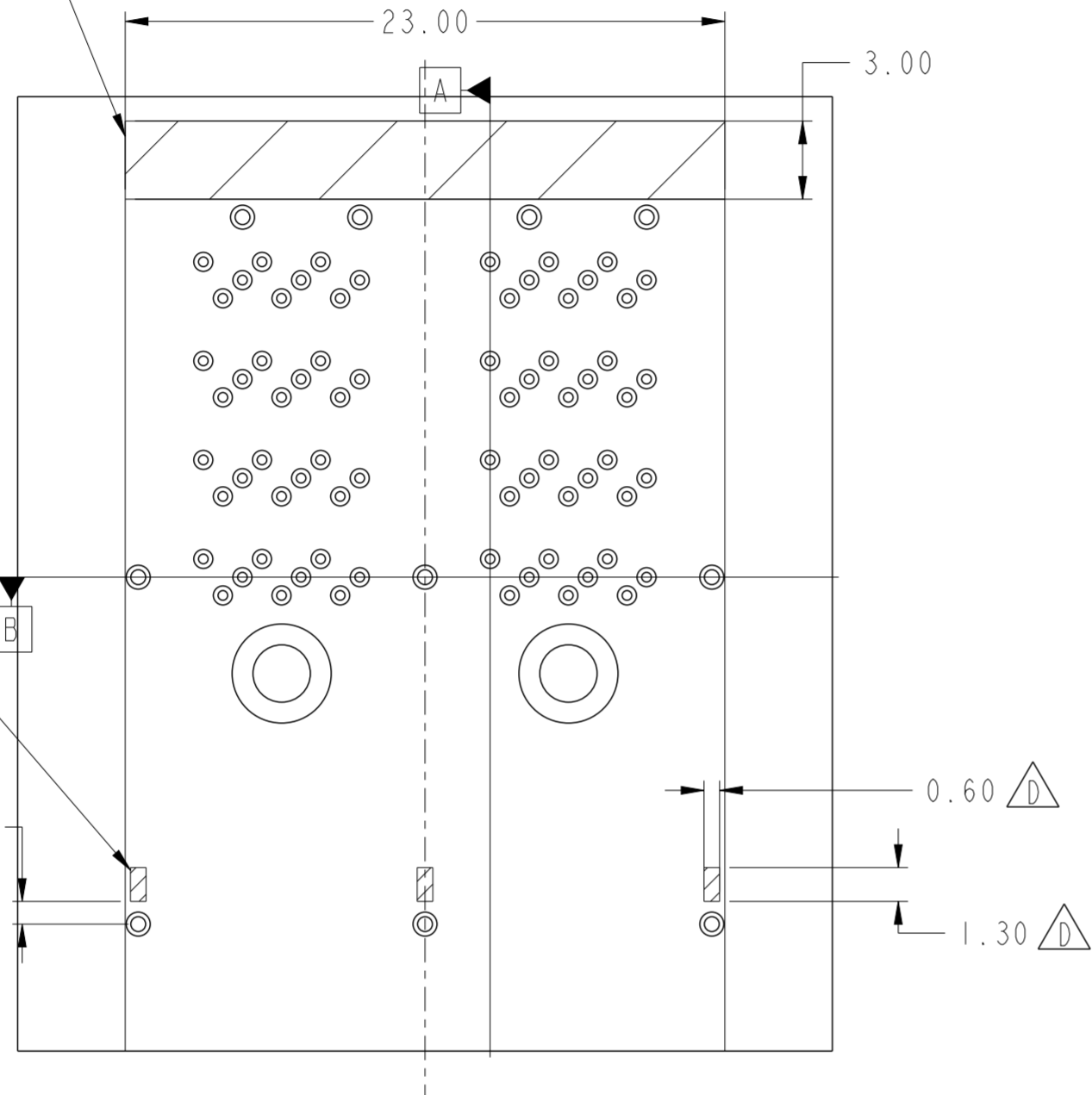
- NOTES:
- RECOMMENDED DRILL SIZE FOR A Ø0.37 FINISHED PTH IS Ø0.457.
  - RECOMMENDED ANNULAR RING AROUND Ø0.37 FINISHED PTH IS Ø0.73.
  - RECOMMENDED DRILL SIZE FOR A Ø0.57 FINISHED PTH IS Ø0.68.
  - RECOMMENDED ANNULAR RING AROUND Ø0.57 FINISHED PTH IS Ø0.93.
  - MINIMUM RECOMMENDED CENTER TO CENTER SPACING BETWEEN ADJACENT CONNECTORS: 25.00mm.
  - CONNECTOR KEEP OUT AREA.
  - MINIMUM PCB THICKNESS: 1.57mm.

spec ref	-	dr	Mark Gray	2010/08/04	projection	MM	size	A2	scale	1:1
tolerance std	ASME Y14.5	eng	M Scholeno	2012/09/10	chr	-	ecn no	ELX-V-012260-1	rel level	Released
surface	✓	appr	Brad Brubaker	2012/09/12	product family	MINI-SAS HD	cat. no.	10112627	rev	D
ASME Y14.5	linear	0.X	±0.25	0.XX	±0.13	0.XXX	±	angular	0°	±1/2°

Copyright FCI. FCI

# RECOMMENDED TOOLING KEEP OUT AREAS

RECOMMENDED INSERTION TOOL  
KEEP OUT AREA  
NO COMPONENTS IN THIS AREA  
MORE THAN 7.50mm TALL



KEEP OUT AREA

0.87

0.60

1.30

RECOMMENDED EXTRACTION TOOL  
KEEP OUT AREA NO  
COMPONENTS IN THESE  
AREAS

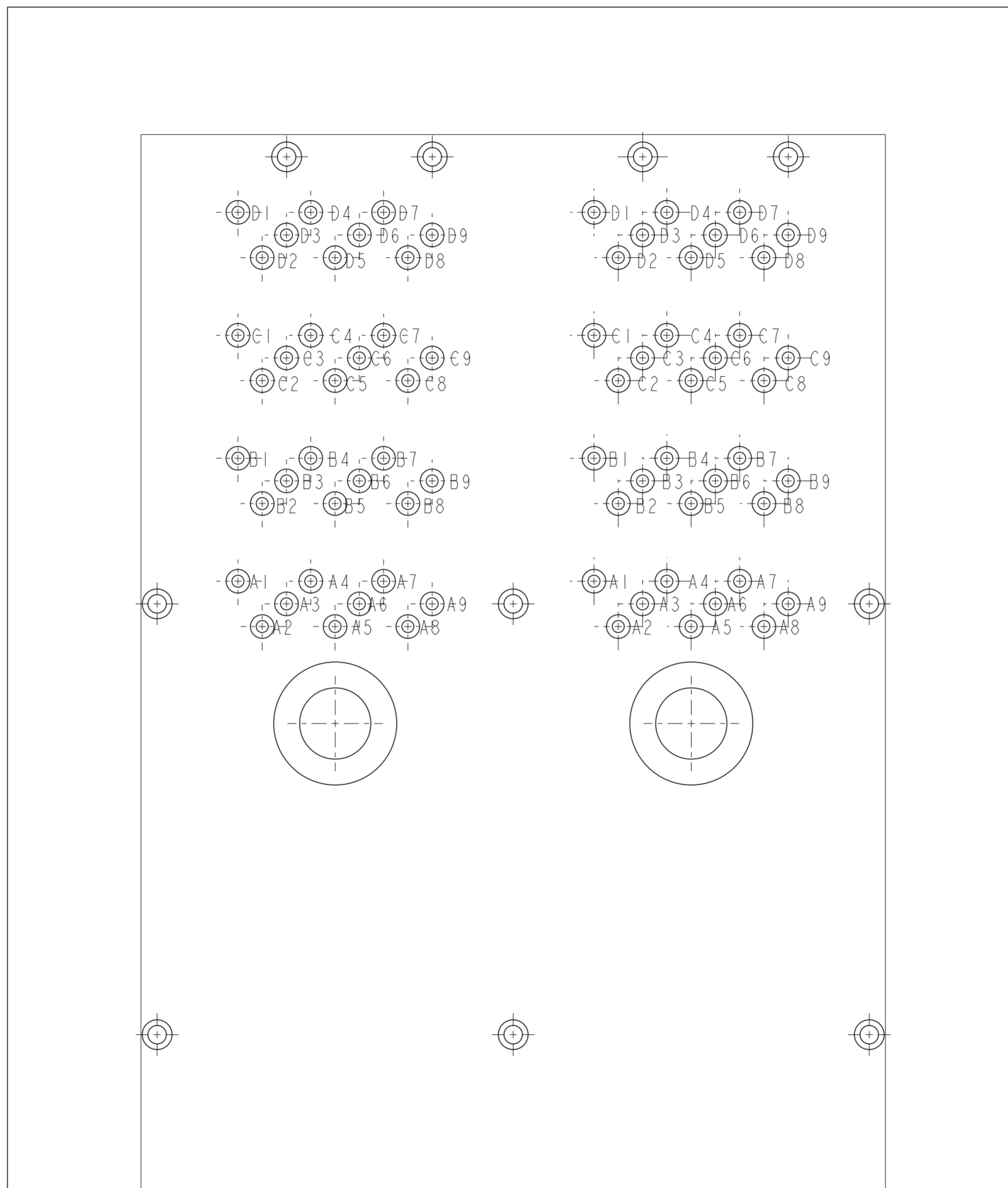
18.00

2.50

Copyright FCI.  
**FCI**

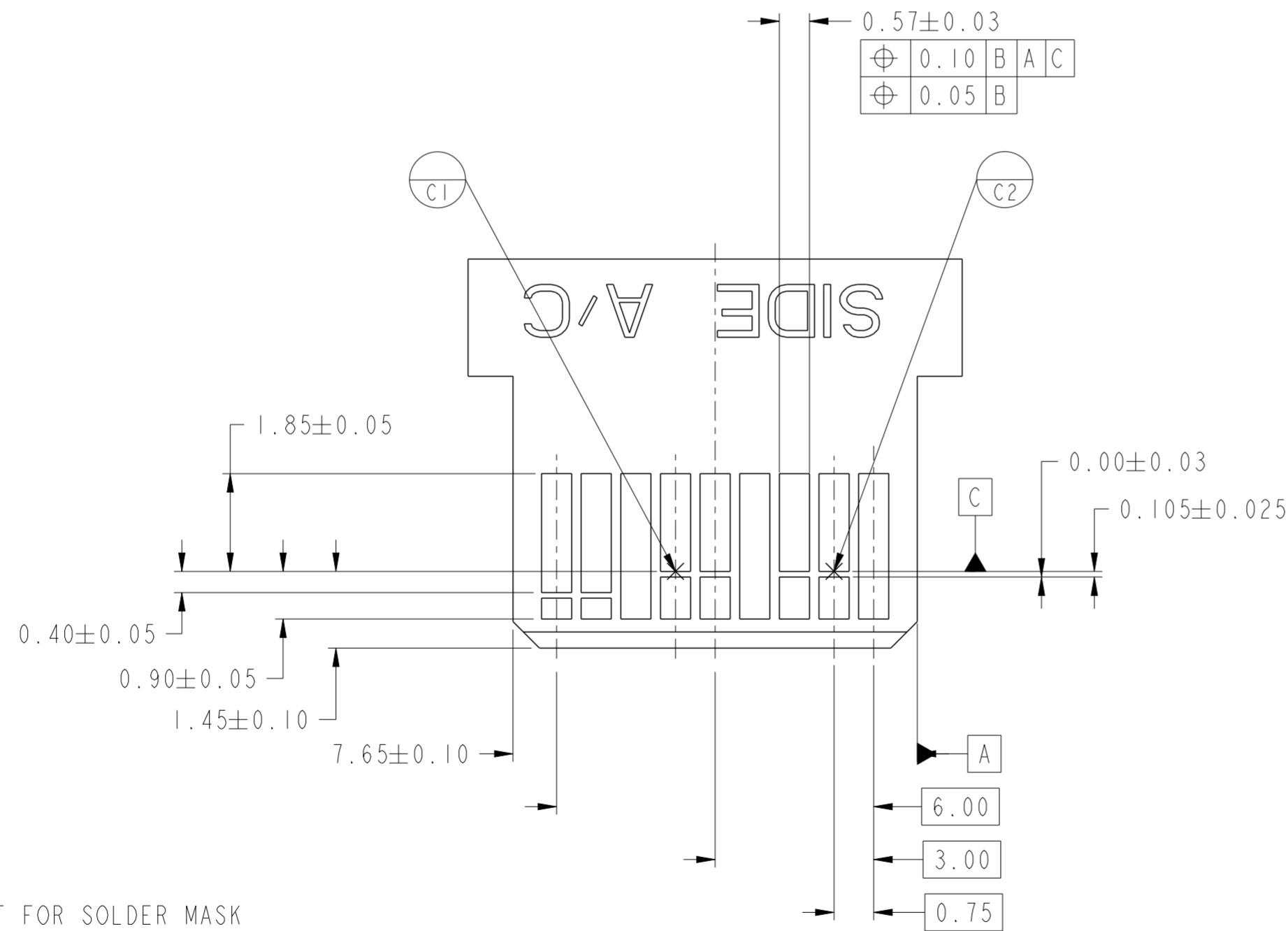
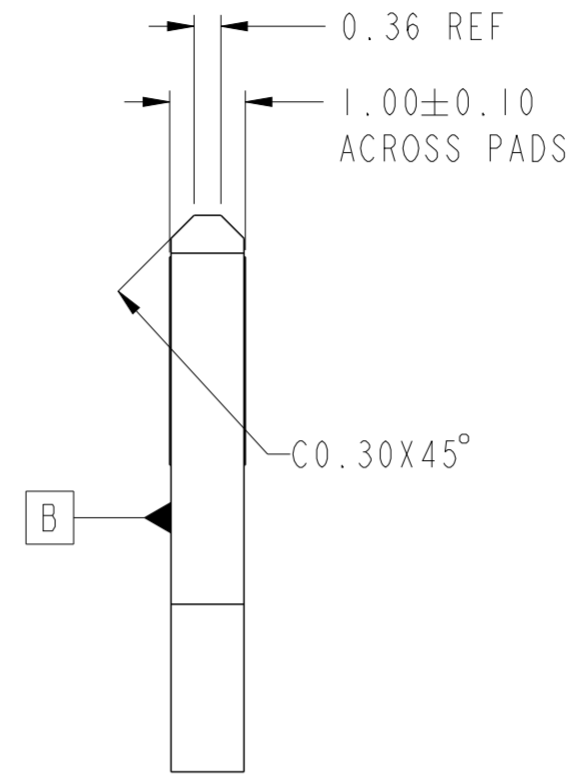
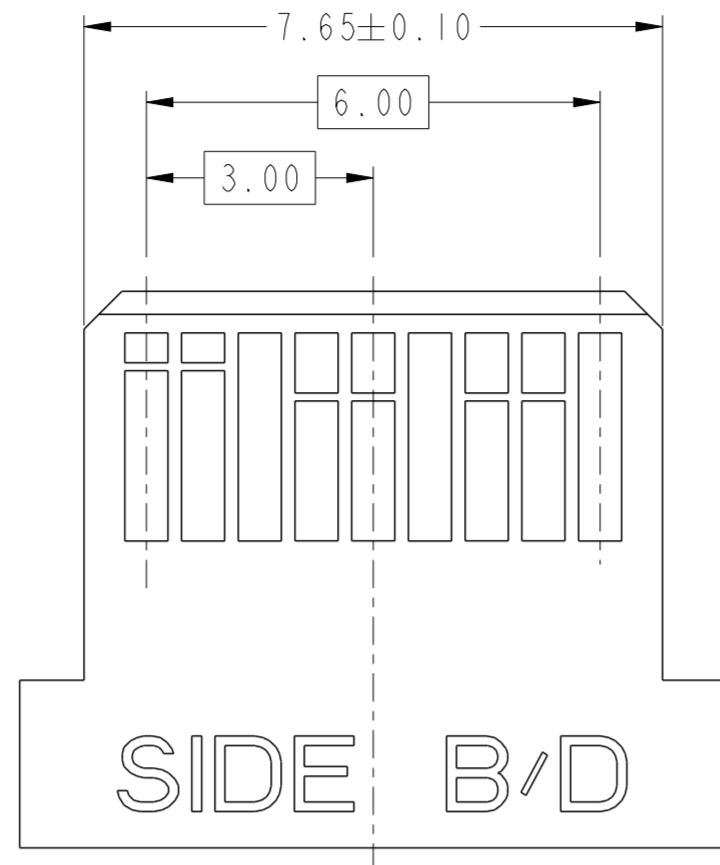
spec ref	-	dr	Mark Gray	2010/08/04	projection	MM	size	A2	scale	1:1
tolerance std	ASME Y14.5	eng	M Scholeno	2012/09/10			ecn no	ELX-V-012260-1	rel level	Released
TOLERANCES UNLESS OTHERWISE SPECIFIED		chr	-	apppr						
surface	ASME Y14.5	linear	0.X	±0.25		title IX2 EXTERNAL ASSEMBLY MINI-SAS HD	dwg no 10112627	rev D	Product - Customer Drw	sheet 5 of 7
			0.XX	±0.13						
			0.XXX	±						
angular	0°	±1/2°	www.fci.com	cat. no.	-	STATUS: Released		Printed: Sep 13, 2012		

# PIN OUT DESIGNATIONS



Copyright FCI.

spec ref	-	dr	Mark Gray	2010/08/04	projection	MM	size	A2	scale	1:1	
tolerance std	ASME Y14.5	eng	M Scholeno	2012/09/10			ecn no	ELX-V-012260-1	rel level	Released	
TOLERANCES UNLESS OTHERWISE SPECIFIED		chr	-	product family							MINI-SAS HD
surface	✓	appr	Brad Brubaker	2012/09/12	title	IX2 EXTERNAL ASSEMBLY		dwg no	10112627	rev	D
ASME Y14.5	linear	0.X	±0.25	0.XX	±0.13	0.XXX	±	angular	0°	±1/2°	www.fci.com
		cat. no.			Product - Customer Drw	sheet 6 of 7					



- NOTES:
- 15. 0.05 MINIMUM KEEP OUT FOR SOLDER MASK AROUND ALL PADS.
  - 16. DATUM D TARGETS ARE DEFINED BY THE RESPECTIVE PAD CENTER LINES AND THE LEADING EDGE OF THE TARGET PADS.

spec ref	-	dr	Mark Gray	2010/08/04	projection	MM	size	A2	scale	1:1
tolerance std	ASME Y14.5	eng	M Scholeno	2012/09/10	chr	-	ecn no	ELX-V-012260-1	rel level	Released
surface	✓	appr	Brad Brubaker	2012/09/12	product family	MINI-SAS HD	cat. no.	10112627	rev	D
ASME Y14.5	linear	0.X	±0.25	0.XX	±0.13	0.XXX	±-	angular	0°	±1/2°



Компания «ЭлектроПласт» предлагает заключение долгосрочных отношений при поставках импортных электронных компонентов на взаимовыгодных условиях!

Наши преимущества:

- Оперативные поставки широкого спектра электронных компонентов отечественного и импортного производства напрямую от производителей и с крупнейших мировых складов;
- Поставка более 17-ти миллионов наименований электронных компонентов;
- Поставка сложных, дефицитных, либо снятых с производства позиций;
- Оперативные сроки поставки под заказ (от 5 рабочих дней);
- Экспресс доставка в любую точку России;
- Техническая поддержка проекта, помощь в подборе аналогов, поставка прототипов;
- Система менеджмента качества сертифицирована по Международному стандарту ISO 9001;
- Лицензия ФСБ на осуществление работ с использованием сведений, составляющих государственную тайну;
- Поставка специализированных компонентов (Xilinx, Altera, Analog Devices, Intersil, Interpoint, Microsemi, Aeroflex, Peregrine, Syfer, Eurofarad, Texas Instrument, Miteq, Cobham, E2V, MA-COM, Hittite, Mini-Circuits, General Dynamics и др.);

Помимо этого, одним из направлений компании «ЭлектроПласт» является направление «Источники питания». Мы предлагаем Вам помощь Конструкторского отдела:

- Подбор оптимального решения, техническое обоснование при выборе компонента;
- Подбор аналогов;
- Консультации по применению компонента;
- Поставка образцов и прототипов;
- Техническая поддержка проекта;
- Защита от снятия компонента с производства.



#### Как с нами связаться

**Телефон:** 8 (812) 309 58 32 (многоканальный)

**Факс:** 8 (812) 320-02-42

**Электронная почта:** [org@eplast1.ru](mailto:org@eplast1.ru)

**Адрес:** 198099, г. Санкт-Петербург, ул. Калинина, дом 2, корпус 4, литера А.