

PLEASE CHECK WWW.MOLEX.COM FOR LATEST PART INFORMATION

Part Number: [0761358501](#)
Status: **Active**
Overview: [vhdm_h](#)
Description: 2.00mm (.079") Pitch VHDM® H Board-to-Board Backplane Header, Vertical, 8-Row, Guide Pin, Signal End Module, Open End Version, 200 Circuits, Pin Length 4.75mm (.187"),Lead Free

Documents:

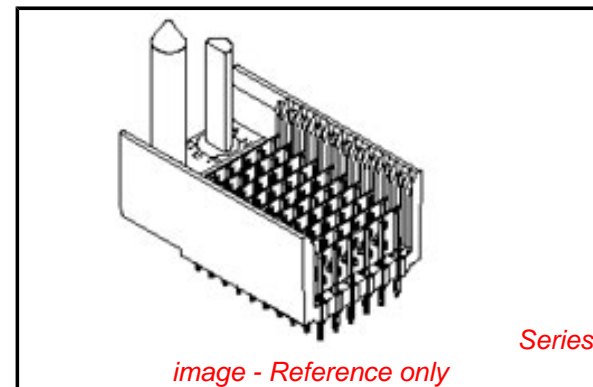
[Drawing \(PDF\)](#) [RoHS Certificate of Compliance \(PDF\)](#)
[Product Specification PS-74031-999 \(PDF\)](#)

General

| | |
|----------------|------------------------|
| Product Family | Backplane Connectors |
| Series | 76135 |
| Application | Backplane |
| Comments | No Keying Position |
| Component Type | PCB Header |
| Overview | vhdm_h |
| Product Name | VHDM® - H Series |
| Style | N/A |

Physical

| | |
|--------------------------------|--------------------------------|
| Circuits (Loaded) | 200 |
| Circuits (maximum) | 200 |
| Color - Resin | Black |
| Durability (mating cycles max) | 200 |
| First Mate / Last Break | No |
| Guide to Mating Part | Yes |
| Keying to Mating Part | None |
| Material - Metal | Copper Alloy |
| Material - Plating Mating | Gold |
| Material - Plating Termination | Tin |
| Material - Resin | High Temperature Thermoplastic |
| Number of Columns | 25 |
| Number of Pairs | Open Pin Field |
| Number of Rows | 8 |
| Orientation | Vertical |
| PC Tail Length (in) | 0.072 In |
| PC Tail Length (mm) | 1.83 mm |
| PCB Locator | No |
| PCB Retention | None |
| PCB Thickness Recommended (in) | 0.072 In |
| PCB Thickness Recommended (mm) | 1.83 mm |
| Packaging Type | Tube |
| Pitch - Mating Interface (in) | 0.079 In |
| Pitch - Mating Interface (mm) | 2.00 mm |
| Pitch - Term. Interface (in) | 0.089 In |
| Pitch - Term. Interface (mm) | 2.25 mm |
| Plating min: Mating (µin) | 30 |
| Plating min: Mating (µm) | 0.75 |
| Plating min: Termination (µin) | 30 |
| Plating min: Termination (µm) | 0.75 |
| Polarized to PCB | Yes |
| Stackable | No |
| Surface Mount Compatible (SMC) | Yes |
| Temperature Range - Operating | -55°C to +85°C |



EU RoHS

ELV and RoHS Compliant
REACH SVHC
 Not Reviewed
Halogen-Free Status
 Not Reviewed

China RoHS



Need more information on product environmental compliance?

Email productcompliance@molex.com
 For a multiple part number RoHS Certificate of Compliance, [click here](#)

Please visit the [Contact Us](#) section for any non-product compliance questions.

Search Parts in this Series

[76135Series](#)

Application Tooling | [FAQ](#)

Tooling specifications and manuals are found by selecting the products below. Crimp Height Specifications are then contained in the Application Tooling Specification document.

Global

| Description | Product # |
|--|----------------------------|
| VHDM® Signal Pin | 0622015700 |
| Insertion Repair Tool | |
| VHDM® 8 Row Pin and Shield Repair Tool | 0622015900 |
| VHDM® 8 Row Shield Extraction Tool | 0622016100 |
| VHDM® Insertion Module for Standard Shield Signal Header, 8 Row by | 0622020210 |

Termination Interface: Style

Through Hole - Compliant Pin

25 Wide, 50.00mm
(1.97")

Electrical

Current - Maximum per Contact

1A

Data Rate

6.25 Gbps

Real Signals (per 25mm)

75

Shield Type

Ground Plane Shield

Shielded

Yes

Voltage - Maximum

120V AC (RMS)/DC

Material Info

Reference - Drawing Numbers

Packaging Specification

PK-74061-003

Product Specification

PS-74031-999

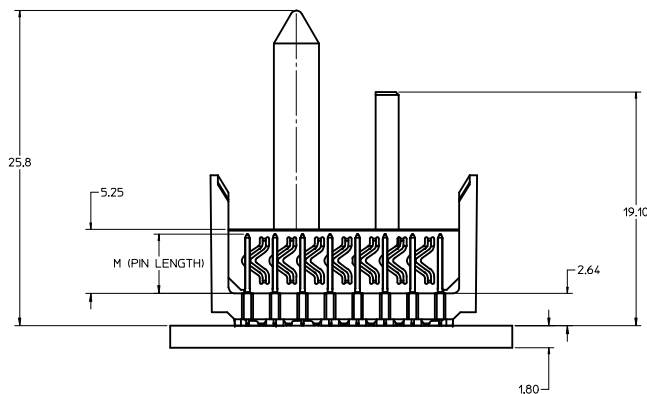
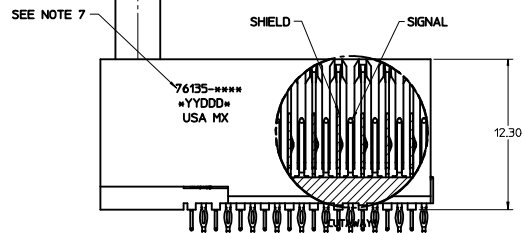
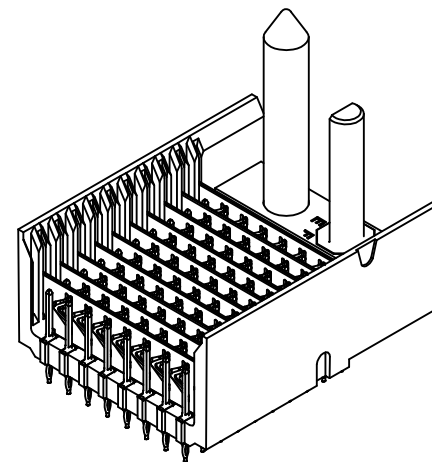
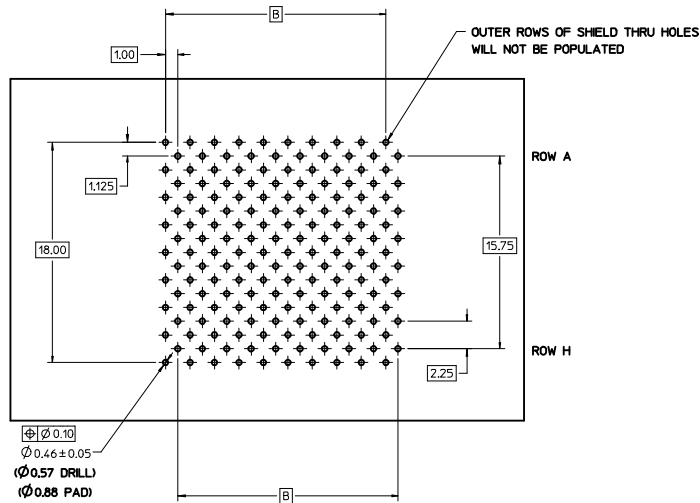
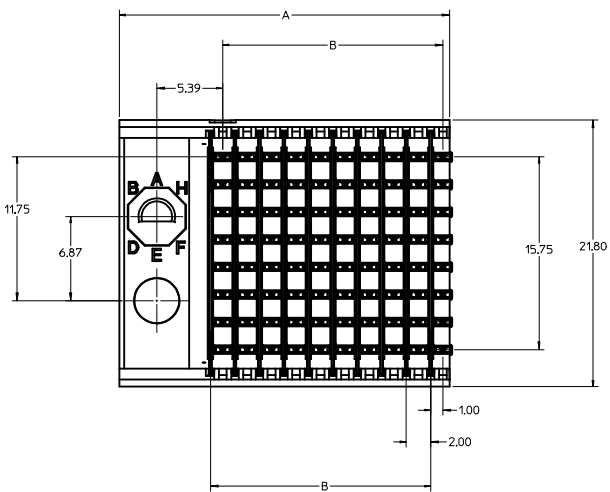
Sales Drawing

SD-76135-001

VHDM and Very High Density Metric are trademarks of Amphenol Corporation

This document was generated on 05/27/2010

PLEASE CHECK WWW.MOLEX.COM FOR LATEST PART INFORMATION



- NOTES:**
- 1. MATERIALS:**
HOUSING - LIQUID CRYSTAL POLYMER (LCP)
GLASS FILLED, UL94V-0, BLACK
SIGNAL PIN AND SHIELD - COPPER ALLOY
 - 2. FINISHES:**
CONTACT AREA - SELECTIVE GOLD (Au)
PCB TAILS - SELECTIVE TIN/LEAD (SnPb) OR MATTE TIN (Sn)
 - 3. THIS PART CONFORMS TO MOLEX PRODUCT SPECIFICATION PS-74031-999.**
 - 4. FOR MIXED CONTACT LENGTH CONTACT MOLEX FOR AVAILABILITY.**
 - 5. FOR SPECIFIC MATERIAL NUMBERS AND MATING INFORMATION REFER TO SHEET 2.**
 - 6. PACKAGE PER PK-74061-003.**
 - 7. ASSEMBLY WILL BE MARKED WITH P/N AND DATE CODE WITH LASER MARK ON SIDE OF HOUSING OR BY LABEL ON THE TUBE.**

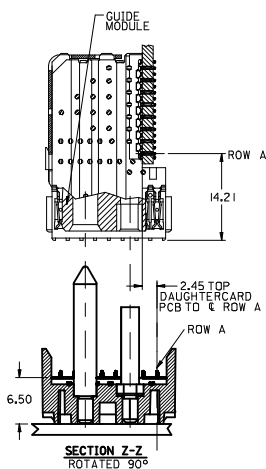
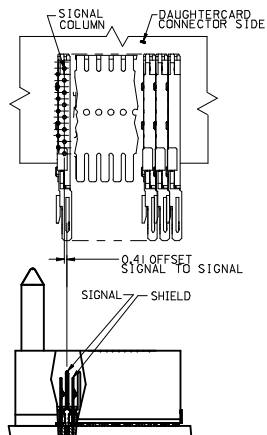
| | | | | | | | | | |
|---|----------------------------|--|------------------------|--|-----------------------|-------------------------------|------------------------|----------------------------|---|
| INITIAL RELEASE EC NO. UCF2008-2748 DRAWN: JONIAK 2008/12/01 CHYD: JONIAK 2008/12/02 APPR: JLAURY 2008/12/03 | QUALITY SYMBOLS | GENERAL TOLERANCES (UNLESS SPECIFIED) | | DIMENSION STYLE MM ONLY | SCALE 5:1 | DESIGN UNITS METRIC | THIRD ANGLE PROJECTION | | |
| | | 4 PLACES ± 0.15 ± 0.25 | 3 PLACES ± 0.15 ± 0.25 | 2 PLACES ± 0.15 ± 0.25 | 1 PLACE ± 0.25 ± 0.25 | mm INCH | DATE 2008/04/11 | DATE 2008/04/11 | TITLE VHDM H-SERIES 8 ROW SIGNAL END BACKPLANE SALES DRAWING |
| | | ANGULAR ±1/2° | | DRAFT WHERE APPLICABLE MUST REMAIN WITHIN DIMENSIONS | | DATE 2008/04/11 | DATE 2008/04/11 | MATERIAL NO. SEE PAGE 2 | DOCUMENT NO. SD-76135-001 |
| | | DRAFT WHERE APPLICABLE MUST REMAIN WITHIN DIMENSIONS | | DATE 2008/04/11 | | DATE 2008/04/11 | | MOLEX INCORPORATED | SHEET NO. 1 OF 2 |

| | | | | | | | | | |
|---------------------------|-------|-------|-------|-------|-------|-------|-------|-------|-------|
| M/N 76135-() | -**0* | -**1* | -**2* | -**3* | -**4* | -**5* | -**6* | -**7* | -**8* |
| KEYING PIN ORIENTATION | | | | | | | | | |

76135 - * * * * *

NUMBER OF COLUMNS/PLATING
 10 = 10 COLUMN TIN/LEAD
 12 = 12 COLUMN TIN/LEAD
 25 = 25 COLUMN TIN/LEAD
 90 = 90 COLUMN MATTE TIN
 92 = 12 COLUMN MATTE TIN
 85 = 25 COLUMN MATTE TIN

CONTACT LOAD
 (PIN LENGTH)
 1 & 6 = 4.15
 2 & 7 = 6.25
 3 & 8 = 4.25
 4 & 9 = 5.15



| PART NUMBER | COLUMN | NUMBER OF SIGNAL | NUMBER OF PINSHIELD | OF | A | B | M | Au (um) THICKNESS | Sn (um) THICKNESS |
|--------------|--------|------------------|---------------------|----|-------|-------|------|-------------------|-------------------|
| 76135 - *0*1 | 10 | 80 | 10 | | 27.00 | 18.00 | | 0.76 | 0.76-1.52 |
| 76135 - *0*6 | | | | | | | 4.75 | 1.27 | |
| 76135 - *5*1 | 25 | 200 | 25 | | 57.00 | 48.00 | | 0.76 | |
| 76135 - *5*6 | | | | | | | | 1.27 | |
| 76135 - *0*2 | 10 | 80 | 10 | | 27.00 | 18.00 | | 0.76 | |
| 76135 - *0*7 | | | | | | | 6.25 | 1.27 | |
| 76135 - *5*2 | 25 | 200 | 25 | | 57.00 | 48.00 | | 0.76 | |
| 76135 - *5*7 | | | | | | | | 1.27 | |
| 76135 - *0*3 | 10 | 80 | 10 | | 27.00 | 18.00 | | 0.76 | |
| 76135 - *0*8 | | | | | | | 4.25 | 1.27 | |
| 76135 - *5*3 | 25 | 200 | 25 | | 57.00 | 48.00 | | 0.76 | |
| 76135 - *5*8 | | | | | | | | 1.27 | |
| 76135 - *0*4 | 10 | 80 | 10 | | 27.00 | 18.00 | | 0.76 | |
| 76135 - *0*9 | | | | | | | 5.15 | 1.27 | |
| 76135 - *5*4 | 25 | 200 | 25 | | 57.00 | 48.00 | | 0.76 | |
| 76135 - *5*9 | | | | | | | | 1.27 | |
| 76135 - *2*1 | 12 | 96 | 12 | | 31.00 | 22.00 | 4.75 | 0.76 | |
| 76135 - *2*6 | | | | | | | | 1.27 | |
| 76135 - *2*2 | 12 | 96 | 12 | | 31.00 | 22.00 | 6.25 | 0.76 | |
| 76135 - *2*7 | | | | | | | | 1.27 | |
| 76135 - *2*3 | 12 | 96 | 12 | | 31.00 | 22.00 | 4.25 | 0.76 | |
| 76135 - *2*8 | | | | | | | | 1.27 | |
| 76135 - *2*4 | 12 | 96 | 12 | | 31.00 | 22.00 | 5.15 | 0.76 | |
| 76135 - *2*9 | | | | | | | | 1.27 | |

| | | | | | | |
|---|--|---|-----------------|-------|--|---|
| INITIAL RELEASE IEC NO. UCF2008-2748 DRAWN BY J JONIAK 2008/12/01 CHYK J JONIAK 2008/12/02 APPR: J LAURY 2008/12/03 | QUALITY SYMBOLS | GENERAL TOLERANCES (UNLESS SPECIFIED) | DIMENSION STYLE | SCALE | DESIGN UNITS | THIRD ANGLE PROJECTION |
| | =0 =0 | mm INCH 4 PLACES # --- # --- 3 PLACES # --- # --- 2 PLACES # 0.15 # --- 1 PLACE # 0.25 # --- ANGULAR ±1/2° | MM ONLY | 1:1 | METRIC | DRAWN BY DATE J JONIAK 2008/04/11 CHECKED BY DATE B INGHAM 2008/04/11 APPROVED BY DATE B INGHAM 2008/04/11 |
| | DRAFT WHERE APPLICABLE MUST REMAIN WITHIN DIMENSIONS | | SEE CHART | | MATERIAL NO. DATE SD-76135-001 2008/04/11 | |



Компания «ЭлектроПласт» предлагает заключение долгосрочных отношений при поставках импортных электронных компонентов на взаимовыгодных условиях!

Наши преимущества:

- Оперативные поставки широкого спектра электронных компонентов отечественного и импортного производства напрямую от производителей и с крупнейших мировых складов;
- Поставка более 17-ти миллионов наименований электронных компонентов;
- Поставка сложных, дефицитных, либо снятых с производства позиций;
- Оперативные сроки поставки под заказ (от 5 рабочих дней);
- Экспресс доставка в любую точку России;
- Техническая поддержка проекта, помощь в подборе аналогов, поставка прототипов;
- Система менеджмента качества сертифицирована по Международному стандарту ISO 9001;
- Лицензия ФСБ на осуществление работ с использованием сведений, составляющих государственную тайну;
- Поставка специализированных компонентов (Xilinx, Altera, Analog Devices, Intersil, Interpoint, Microsemi, Aeroflex, Peregrine, Syfer, Eurofarad, Texas Instrument, Miteq, Cobham, E2V, MA-COM, Hittite, Mini-Circuits, General Dynamics и др.);

Помимо этого, одним из направлений компании «ЭлектроПласт» является направление «Источники питания». Мы предлагаем Вам помощь Конструкторского отдела:

- Подбор оптимального решения, техническое обоснование при выборе компонента;
- Подбор аналогов;
- Консультации по применению компонента;
- Поставка образцов и прототипов;
- Техническая поддержка проекта;
- Защита от снятия компонента с производства.



Как с нами связаться

Телефон: 8 (812) 309 58 32 (многоканальный)

Факс: 8 (812) 320-02-42

Электронная почта: org@eplast1.ru

Адрес: 198099, г. Санкт-Петербург, ул. Калинина, дом 2, корпус 4, литера А.