

ISL62773

Multiphase PWM Regulator for AMD Fusion™ Desktop CPUs Using SVI 2.0

FN8263
Rev 1.00
Dec 16, 2015

The [ISL62773](#) is fully compliant with AMD Fusion™ SVI 2.0 and provides a complete solution for desktop microprocessor and graphics processor core power. The ISL62773 controller supports two Voltage Regulators (VRs) with three integrated gate drivers and two optional external drivers for maximum flexibility. The Core VR can be configured for 3-, 2-, or 1-phase operation while the Northbridge VR supports 2- or 1-phase configurations. The two VRs share a serial control bus to communicate with the AMD CPU and achieve lower cost and smaller board area compared with two-chip solutions.

The PWM modulator is based on Intersil's Robust Ripple Regulator R3™ technology. Compared to traditional modulators, the R3 modulator can automatically change switching frequency for faster transient settling time during load transients and improved light-load efficiency.

The ISL62773 has several other key features. Both outputs support DCR current sensing with a single NTC thermistor for DCR temperature compensation or accurate resistor current sensing. Both outputs utilize remote voltage sense, adjustable switching frequency, OC protection and power-good.

Applications

- AMD Fusion CPU/GPU core power
- Desktop computers

Features

- Supports AMD SVI 2.0 serial data bus interface
 - Serial VID clock frequency range 100kHz to 25MHz
- Dual output controller with integrated drivers
 - Two dedicated core drivers
 - One programmable driver for either core or Northbridge
- Precision voltage regulation
 - 0.5% system accuracy over-temperature
 - 0.5V to 1.55V in 6.25mV steps
 - Enhanced load line accuracy
- Supports multiple current sensing methods
 - Lossless inductor DCR current sensing
 - Precision resistor current sensing
- Programmable 1-, 2- or 3-phase for the core output and 1- or 2-phase for the Northbridge output
- Adaptive body diode conduction time reduction
- Superior noise immunity and transient response
- Output current monitor and thermal monitor
- Differential remote voltage sensing
- High efficiency across entire load range
- Programmable slew rate, VID offset, droop and switching frequency on both outputs
- OCP/WOC, OVP, PGOOD and thermal monitor
- Small footprint 48 Ld 6x6 QFN Package
 - Pb-free (RoHS compliant)

Core Performance

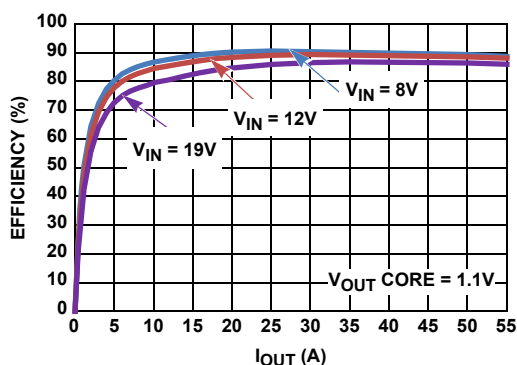


FIGURE 1. EFFICIENCY vs LOAD

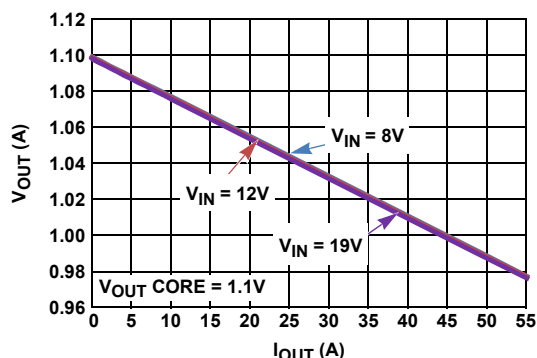


FIGURE 2. V_{OUT} vs LOAD

Table of Contents

| | | | |
|--|-----------|--|-----------|
| Simplified Application Circuit for High Power CPU Core . . . | 3 | AMD Serial VID Interface 2.0 | 21 |
| Simplified Application Circuit with 3 Internal Drivers Used for Core | 4 | Pre-PWROK Metal VID | 21 |
| Simplified Application Circuit for Mid-Power CPUs [2+1 Configuration] | 5 | SVI Interface Active | 22 |
| Simplified Application Circuit for Low Power CPUs [1+1 Configuration] | 6 | VID-on-the-Fly Transition | 22 |
| Pin Configuration | 8 | SVI Data Communication Protocol | 22 |
| Pin Descriptions | 8 | SVI Bus Protocol | 25 |
| Ordering Information | 10 | Power States and Telemetry | 25 |
| Absolute Maximum Ratings | 11 | Dynamic Load Line Slope Trim | 26 |
| Thermal Information | 11 | Dynamic Offset Trim | 26 |
| Recommended Operating Conditions | 11 | Protection Features | 26 |
| Electrical Specifications | 11 | Overcurrent | 26 |
| Gate Driver Timing Diagram | 13 | Current-Balance | 26 |
| Theory of Operation | 14 | Undervoltage | 26 |
| Multiphase R3™ Modulator | 14 | Overvoltage | 26 |
| Diode Emulation and Period Stretching | 15 | Thermal Monitor [NTC, NTC_NB] | 27 |
| Channel Configuration | 15 | Fault Recovery | 27 |
| Power-On Reset | 15 | Interface Pin Protection | 27 |
| Start-Up Timing | 16 | Key Component Selection | 28 |
| Voltage Regulation and Load Line Implementation | 16 | Inductor DCR Current-Sensing Network | 28 |
| Differential Sensing | 17 | Resistor Current-Sensing Network | 30 |
| Phase Current Balancing | 17 | Overcurrent Protection | 30 |
| Modes of Operation | 19 | Load Line Slope | 30 |
| Dynamic Operation | 20 | Compensator | 31 |
| FB2 Function | 20 | Current Balancing | 31 |
| Adaptive Body Diode Conduction Time Reduction | 20 | Thermal Monitor Component Selection | 32 |
| Resistor Configuration Options | 20 | Layout Guidelines | 32 |
| VR Offset Programming | 20 | PCB Layout Considerations | 32 |
| Floating DriverX and PWM_Y Configuration | 21 | Revision History | 36 |
| VID-on-the-Fly Slew Rate Selection | 21 | About Intersil | 36 |
| CCM Switching Frequency | 21 | Package Outline Drawing | 37 |

Simplified Application Circuit for High Power CPU Core

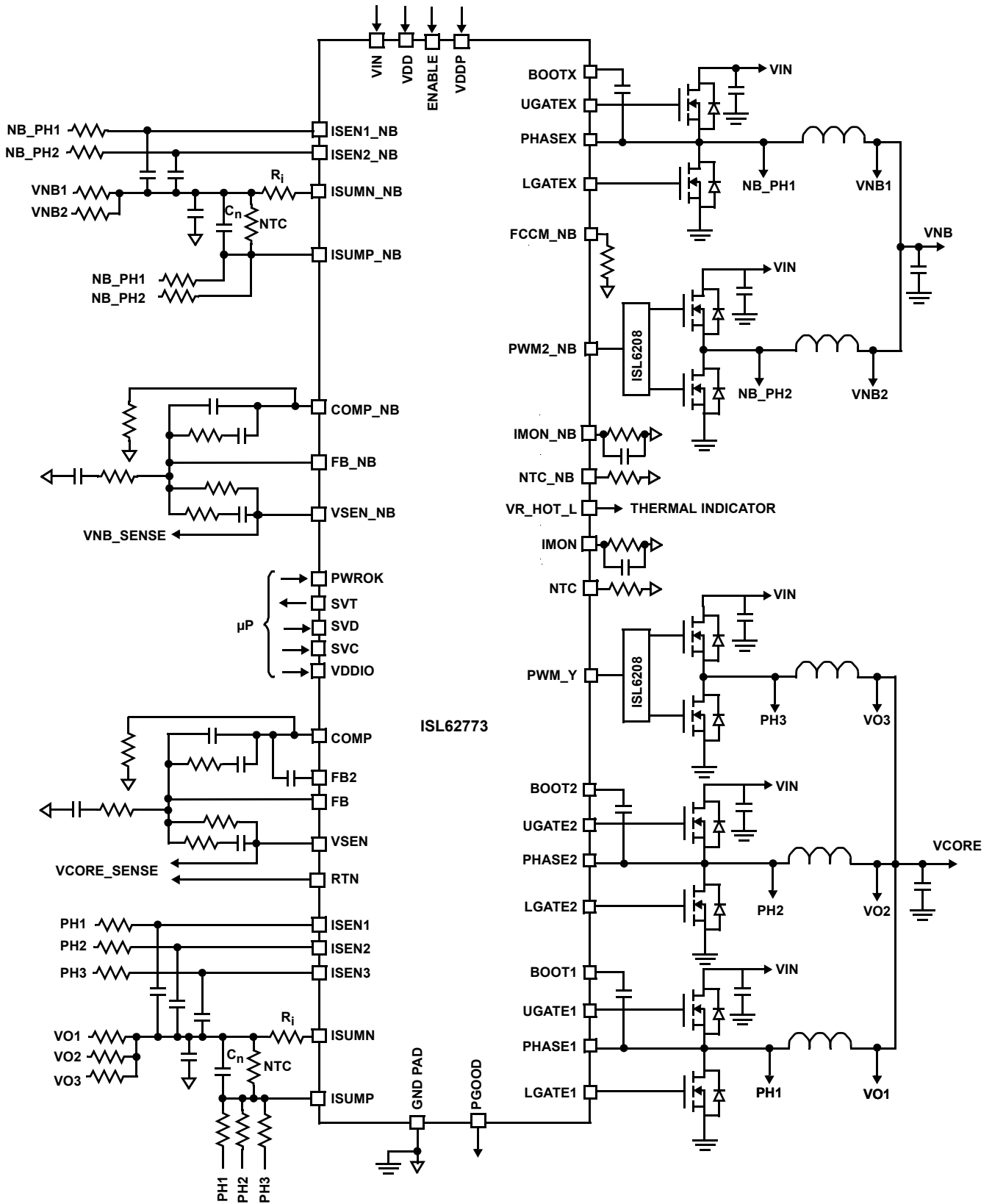


FIGURE 3. TYPICAL APPLICATION CIRCUIT USING INDUCTOR DCR SENSING

Simplified Application Circuit with 3 Internal Drivers Used for Core

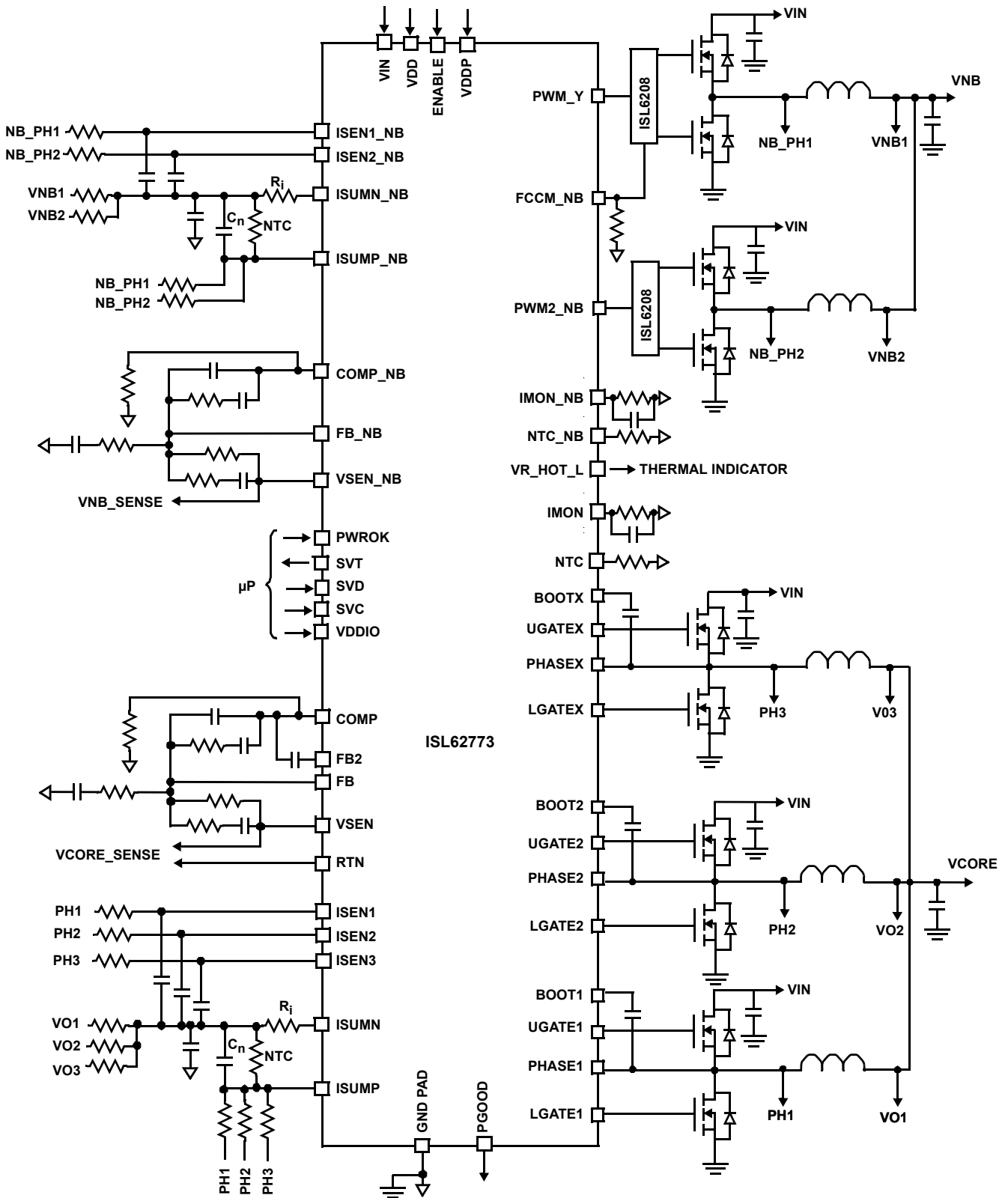
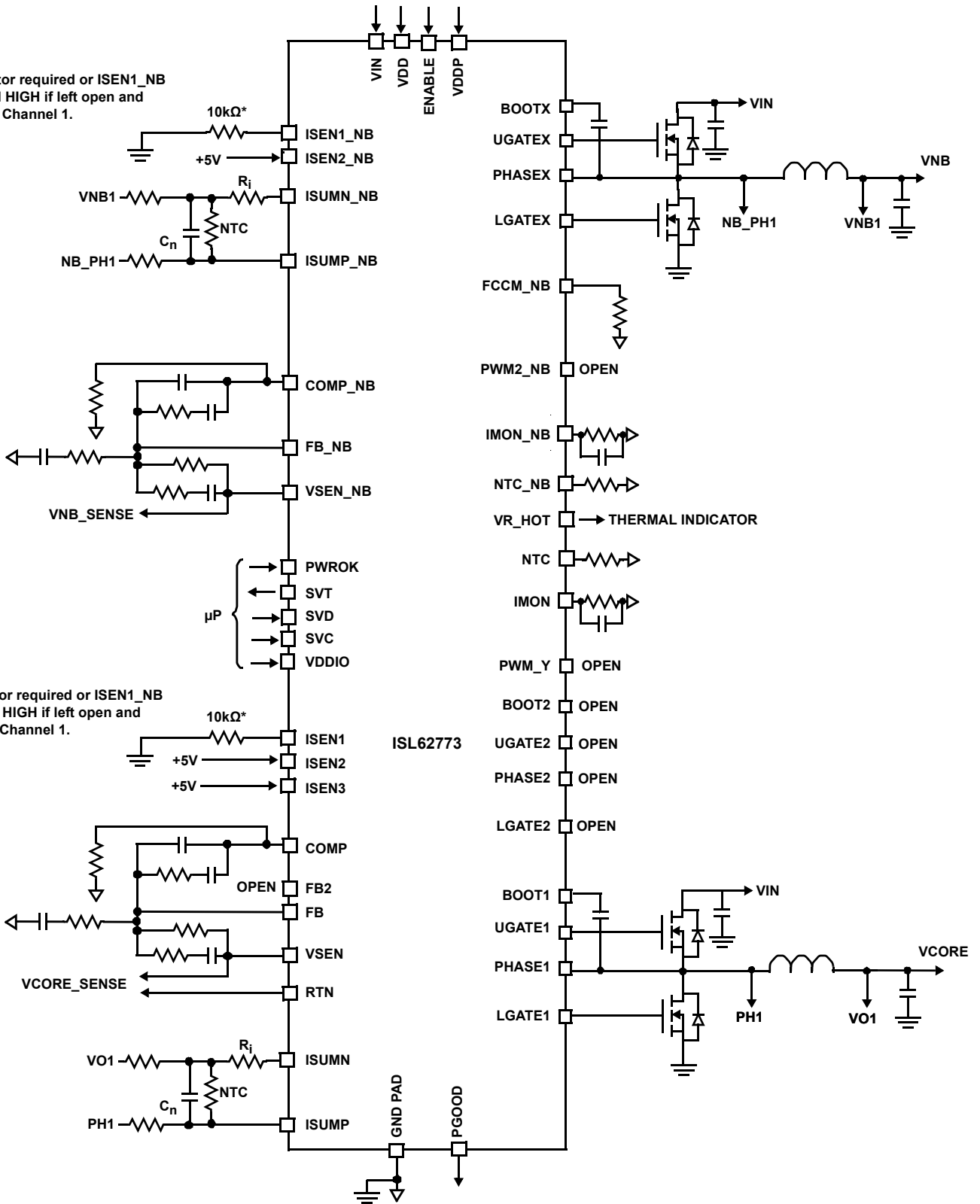


FIGURE 4. TYPICAL APPLICATION CIRCUIT USING INDUCTOR DCR SENSING

Simplified Application Circuit for Low Power CPUs [1+1 Configuration]

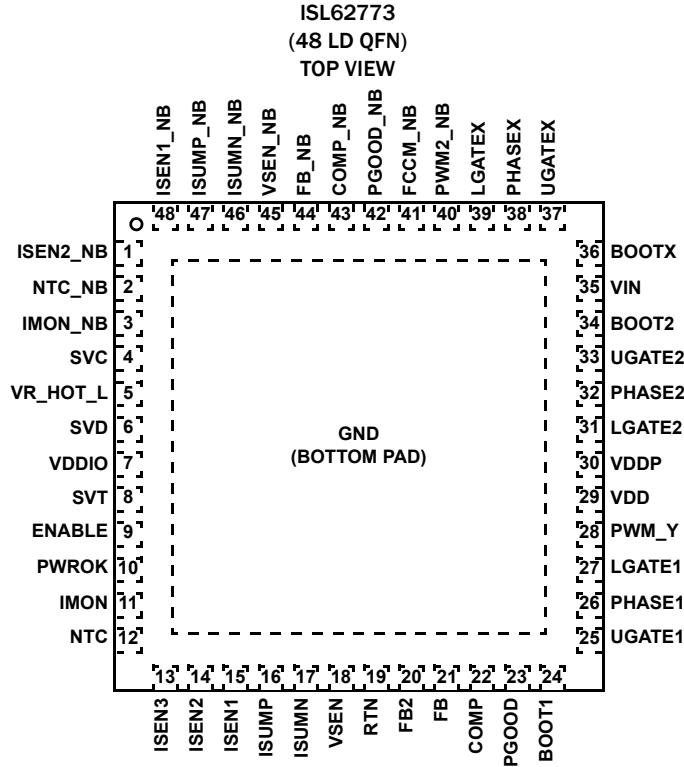
* Resistor required or ISEN1_NB will pull HIGH if left open and disable Channel 1.



* Resistor required or ISEN1_NB will pull HIGH if left open and disable Channel 1.

FIGURE 6. TYPICAL APPLICATION CIRCUIT USING INDUCTOR DCR SENSING

Pin Configuration



Pin Descriptions

| PIN NUMBER | SYMBOL | DESCRIPTION |
|------------|----------|--|
| 1 | ISEN2_NB | Individual current sensing for Channel 2 of the Northbridge VR. When ISEN2_NB is pulled to +5V, the controller will disable Channel 2 and the Northbridge VR will run single-phase. |
| 2 | NTC_NB | Thermistor input to VR_HOT_L circuit to monitor Northbridge VR temperature. |
| 3 | IMON_NB | Northbridge output current monitor. A current proportional to the Northbridge VR output current is sourced from this pin. |
| 4 | SVC | Serial VID clock input from the CPU processor master device. |
| 5 | VR_HOT_L | Thermal indicator signal to AMD CPU. Thermal overload open-drain output indicator active LOW. |
| 6 | SVD | Serial VID data bidirectional signal from the CPU processor master device to the VR. |
| 7 | VDDIO | VDDIO is the processor memory interface power rail and this pin serves as the reference to the controller IC for this processor I/O signal level. |
| 8 | SVT | Serial VID Telemetry (SVT) data line input to the CPU from the controller IC. Telemetry and VID-on-the-fly complete signal provided on from this pin. |
| 9 | ENABLE | Enable input. A high level logic on this pin enables both VRs. |
| 10 | PWROK | System power-good input. When this pin is high, the SVI 2 interface is active and the I ² C protocol is running. While this pin is low, the SVC and SVD input states determine the pre-PWROK metal VID. This pin must be low prior to the ISL62773 PGOOD output going high per the AMD SVI 2.0 Controller Guidelines. |
| 11 | IMON | Core output current monitor. A current proportional to the Core VR output current is sourced from this pin. |
| 12 | NTC | Thermistor input to VR_HOT_L circuit to monitor Core VR temperature. |
| 13 | ISEN3 | ISEN3 is the individual current sensing for Channel 3. When ISEN3 is pulled to +5V, the controller disables Channel 3 and the Core VR runs in two-phase mode. |

Pin Descriptions (Continued)

| PIN NUMBER | SYMBOL | DESCRIPTION |
|------------|--------|---|
| 14 | ISEN2 | Individual current sensing for Channel 2 of the Core VR. When ISEN2 is pulled to +5V, the controller disables Channel 2 and the Core VR runs in single-phase mode. |
| 15 | ISEN1 | Individual current sensing for Channel 1 of the Core VR. If ISEN2 is tied to +5V, this pin cannot be left open and must be tied to GND with a 10kΩ resistor. If ISEN1 is tied to +5V, the Core portion of the IC is shutdown. |
| 16 | ISUMP | Noninverting input of the transconductance amplifier for current monitor and load line of Core output. |
| 17 | ISUMN | Inverting input of the transconductance amplifier for current monitor and load line of Core output. |
| 18 | VSEN | Output voltage sense pin for the Core controller. Connect to the +sense pin of the microprocessor die. |
| 19 | RTN | Output voltage sense return pin for both Core VR and Northbridge VR. Connect to the -sense pin of the microprocessor die. |
| 20 | FB2 | There is a switch between the FB2 pin and the FB pin. The switch is on in 2-phase or 3-phase mode and is off in 1-phase mode. The components connecting to FB2 are used to adjust the compensation in 1-phase mode of the Core VR to achieve optimum performance. |
| 21 | FB | Output voltage feedback to the inverting input of the Core controller error amplifier. |
| 22 | COMP | Core controller error amplifier output. A resistor from COMP to GND sets the Core VR offset voltage. |
| 23 | PGOOD | Open-drain output to indicate the Core portion of the IC is ready to supply regulated voltage. Pull up externally to VDD or 3.3V through a resistor. |
| 24 | BOOT1 | Connect an MLCC capacitor across the BOOT1 and the PHASE1 pins. The boot capacitor is charged, through an internal boot diode connected from the VDDP pin to the BOOT1 pin, each time the PHASE1 pin drops below VDDP minus the voltage dropped across the internal boot diode. |
| 25 | UGATE1 | Output of the Phase 1 high-side MOSFET gate driver of the Core VR. Connect the UGATE1 pin to the gate of the Phase 1 high-side MOSFET(s). |
| 26 | PHASE1 | Current return path for the Phase 1 high-side MOSFET gate driver of VR1. Connect the PHASE1 pin to the node consisting of the high-side MOSFET source, the low-side MOSFET drain and the output inductor of Phase 1. |
| 27 | LGATE1 | Output of the Phase 1 low-side MOSFET gate driver of the Core VR. Connect the LGATE1 pin to the gate of the Phase 1 low-side MOSFET(s). |
| 28 | PWM_Y | Floating PWM output used for either Channel 3 of the Core VR or Channel 1 of the Northbridge VR depending on the FCCM_NB resistor connected between FCCM_NB and GND. |
| 29 | VDD | 5V bias power. A resistor [2Ω] and a decoupling capacitor should be used from the +5V supply. A high quality, X7R dielectric MLCC capacitor is recommended. |
| 30 | VDDP | Input voltage bias for the internal gate drivers. Connect +5V to the VDDP pin. Decouple with at least 1μF of capacitance to GND. A high quality, X7R dielectric MLCC capacitor is recommended. |
| 31 | LGATE2 | Output of the Phase 2 low-side MOSFET gate driver of the Core VR. Connect the LGATE2 pin to the gate of the Phase 2 low-side MOSFET(s). |
| 32 | PHASE2 | Current return path for the Phase 2 high-side MOSFET gate driver of the Core VR. Connect the PHASE2 pin to the node consisting of the high-side MOSFET source, the low-side MOSFET drain and the output inductor of Phase 2. |
| 33 | UGATE2 | Output of the Phase 2 high-side MOSFET gate driver of the Core VR. Connect the UGATE2 pin to the gate of the Phase 2 high-side MOSFET(s). |
| 34 | BOOT2 | Connect an MLCC capacitor across the BOOT2 and PHASE2 pins. The boot capacitor is charged, through an internal boot diode connected from the VDDP pin to the BOOT2 pin, each time the PHASE2 pin drops below VDDP minus the voltage dropped across the internal boot diode. |
| 35 | VIN | Battery supply voltage, used for feed-forward. |
| 36 | BOOTX | Boot connection of the programmable internal driver used for either Channel 3 of the Core VR or Channel 1 of the Northbridge VR based on the configuration state selected by the FCCM_NB resistor. Connect an MLCC capacitor across the BOOT1X and the PHASEX pins. The boot capacitor is charged, through an internal boot diode connected from the VDDP pin to the BOOTX pin, each time the PHASEX pin drops below VDDP minus the voltage dropped across the internal boot diode. |

Pin Descriptions (Continued)

| PIN NUMBER | SYMBOL | DESCRIPTION |
|------------|------------------|--|
| 37 | UGATEX | High-side MOSFET gate driver portion of the programmable internal driver used for either Channel 3 of the Core VR or Channel 1 of the Northbridge VR based on the configuration state selected by the FCCM_NB resistor. Connect the UGATEX pin to the gate of the high-side MOSFET(s) for either Phase 3 of the Core VR or Phase 1 of the Northbridge VR based on the configuration state selected. |
| 38 | PHASEX | Phase connection of the programmable internal driver used for either Channel 3 of the Core VR or Channel 1 of the Northbridge VR based on the configuration state selected by the FCCM_NB resistor. Current return path for the high-side MOSFET gate driver of the floating internal driver. Connect the PHASEX pin to the node consisting of the high-side MOSFET source, the low-side MOSFET drain and the output inductor of either Phase 3 of the Core VR or Phase 1 of the Northbridge VR based on the configuration state selected. |
| 39 | LGATEX | Low-side MOSFET gate driver portion of floating internal driver used for either Channel 3 of the Core VR or Channel 1 of the Northbridge VR based on the configuration state selected by the FCCM_NB resistor. Connect the LGATEX pin to the gate of the low-side MOSFET(s) for either Phase 3 of the Core VR or Phase 1 of the Northbridge VR based on the configuration state selected. |
| 40 | PWM2_NB | PWM output for Channel 2 of the Northbridge VR. Disabled when ISEN2_NB is tied to +5V. |
| 41 | FCCM_NB | Diode emulation control signal for Intersil MOSFET Drivers. When FCCM_NB is LOW, diode emulation at the driver this pin connects to is allowed. A resistor from FCCM_NB pin to GND configures the PWM_Y and floating internal gate driver [BOOTX, UGATEX, PHASEX, LGATEX pins] to support Phase 3 of the Core VR and Phase 1 of the Northbridge VR. The FCCM_NB resistor value also is used to set the slew rate for the Core VR and Northbridge VR. |
| 42 | PGOOD_NB | Open-drain output to indicate the Northbridge portion of the IC is ready to supply regulated voltage. Pull up externally to VDDP or 3.3V through a resistor. |
| 43 | COMP_NB | Northbridge VR error amplifier output. A resistor from COMP_NB to GND sets the Northbridge VR offset voltage and is used to set the switching frequency for the Core VR and Northbridge VR. |
| 44 | FB_NB | Output voltage feedback to the inverting input of the Northbridge controller error amplifier. |
| 45 | VSEN_NB | Output voltage sense pin for the Northbridge controller. Connect to the +sense pin of the microprocessor die. |
| 46 | ISUMN_NB | Inverting input of the transconductance amplifier for current monitor and load line of the Northbridge VR. |
| 47 | ISUMP_NB | Noninverting input of the transconductance amplifier for current monitor and load line of the Northbridge VR. |
| 48 | ISEN1_NB | Individual current sensing for Channel 1 of the Northbridge VR. If ISEN2_NB is tied to +5V, this pin cannot be left open and must be tied to GND with a 10kΩ resistor. If ISEN1_NB is tied to +5V, the Northbridge portion of the IC is shutdown. |
| | GND (Bottom Pad) | Signal common of the IC. Unless otherwise stated, signals are referenced to the GND pin. |

Ordering Information

| PART NUMBER (Notes 1, 2, 3) | PART MARKING | TEMP. RANGE (°C) | PACKAGE (RoHS Compliant) | PKG. DWG. # |
|--------------------------------|--------------|------------------|-----------------------------|-------------|
| ISL62773HRZ | ISL62773 HRZ | -10 to +100 | 48 Ld 6x6 QFN | L48.6x6B |
| ISL62773IRZ | ISL62773 IRZ | -40 to +85 | 48 Ld 6x6 QFN | L48.6x6B |

NOTES:

- Add "-T*" suffix for tape and reel. Please refer to [TB347](#) for details on reel specifications.
- Intersil Pb-free plus anneal products employ special Pb-free material sets; molding compounds/die attach materials and 100% matte tin plate termination finish, which are RoHS compliant and compatible with both SnPb and Pb-free soldering operations. Intersil Pb-free products are MSL classified at Pb-free peak reflow temperatures that meet or exceed the Pb-free requirements of IPC/JEDEC J STD-020.
- For Moisture Sensitivity Level (MSL), please see device information page for [ISL62773](#). For more information on MSL please see tech brief [TB363](#).

Absolute Maximum Ratings

| | |
|---|---|
| Supply Voltage, V_{DD} , V_{DDP} | -0.3V to +7V |
| Battery Voltage, V_{IN} | +28V |
| Boot Voltage (BOOT) | -0.3V to +33V |
| Boot to Phase Voltage (BOOT-PHASE) | -0.3V to +7V (DC) |
| | -0.3V to +9V (<10ns) |
| Phase Voltage (PHASE) | -7V (<20ns Pulse Width, 10 μ J) |
| UGATE Voltage (UGATE) | PHA SE - 0.3V (DC) to BOOTPHASE - 5V |
| | (<20ns Pulse Width, 10 μ J) to BOOT LGATE Voltage |
| | -2.5V (<20ns Pulse Width, 5 μ J) to VDD + 0.3V |
| All Other Pins | -0.3V to (VDD + 0.3V) |
| Open-Drain Outputs, PGOOD, PGOOD_NB, VR_HOT_L | -0.3V to +7V |

Thermal Information

| | | |
|--|---------------------------------------|---------------------------------|
| Thermal Resistance (Typical) | θ_{JA} ($^{\circ}$ C/W) | θ_{JC} ($^{\circ}$ C/W) |
| 48 Ld QFN Package (Notes 4, 5) | 29 | 3.5 |
| Maximum Junction Temperature | +150 $^{\circ}$ C | |
| Maximum Storage Temperature Range | -65 $^{\circ}$ C to +150 $^{\circ}$ C | |
| Maximum Junction Temperature (Plastic Package) | +150 $^{\circ}$ C | |
| Storage Temperature Range | -65 $^{\circ}$ C to +150 $^{\circ}$ C | |
| Pb-free Reflow Profile | see TB493 | |

Recommended Operating Conditions

| | |
|---------------------------------|---------------------------------------|
| Supply Voltage, V_{DD} | +5V \pm 5% |
| Battery Voltage, V_{IN} | +4.5V to 25V |
| Ambient Temperature | |
| HRZ | -10 $^{\circ}$ C to +100 $^{\circ}$ C |
| IRZ | -40 $^{\circ}$ C to +85 $^{\circ}$ C |
| Junction Temperature | -10 $^{\circ}$ C to +125 $^{\circ}$ C |

CAUTION: Do not operate at or near the maximum ratings listed for extended periods of time. Exposure to such conditions may adversely impact product reliability and result in failures not covered by warranty.

NOTES:

- θ_{JA} is measured in free air with the component mounted on a high effective thermal conductivity test board with "direct attach" features. See Tech Brief [TB379](#).
- For θ_{JC} , the "case temp" location is the center of the exposed metal pad on the package underside.

Electrical Specifications Operating Conditions: $V_{DD} = 5V$, $T_A = -10^{\circ}C$ to +100 $^{\circ}C$ (HRZ), $T_A = -40^{\circ}C$ to +85 $^{\circ}C$ (IRZ), $f_{SW} = 300kHz$, unless otherwise noted. **Boldface limits apply across the operating temperature range, -40 $^{\circ}$ C to +100 $^{\circ}$ C.**

| PARAMETER | SYMBOL | TEST CONDITIONS | MIN (Note 6) | TYP | MAX (Note 6) | UNIT |
|----------------------------------|-----------------------------|---|-----------------|------|-----------------|------------|
| INPUT POWER SUPPLY | | | | | | |
| +5V Supply Current | I_{VDD} | ENABLE = 1V | | 8 | 11 | mA |
| | | ENABLE = 0V | | | 5 | μ A |
| Battery Supply Current | I_{VIN} | ENABLE = 0V | | | 1 | μ A |
| V_{IN} Input Resistance | R_{VIN} | ENABLE = 1V | | 620 | | k Ω |
| POWER-ON-RESET THRESHOLDS | | | | | | |
| VDD POR Threshold | V_{DD_PORr} | V_{DD} rising | | 4.35 | 4.5 | V |
| | V_{DD_PORf} | V_{DD} falling | 4.00 | 4.15 | | V |
| SYSTEM AND REFERENCES | | | | | | |
| System Accuracy | HRZ %Error (V_{OUT}) | No load; closed loop, active mode range, VID = 0.75V to 1.55V, | -0.5 | | +0.5 | % |
| | | VID = 0.25V to 0.74375V | -10 | | +10 | mV |
| | IRZ %Error (V_{OUT}) | No load; closed loop, active mode range, VID = 0.75V to 1.55V | -0.8 | | +0.8 | % |
| | | VID = 0.25V to 0.74375V | -12 | | +12 | mV |
| Maximum Output Voltage | $V_{OUT(max)}$ | VID = [00000000] | | 1.55 | | V |
| Minimum Output Voltage | $V_{OUT(min)}$ | VID = [11111111] | | 0.0 | | V |
| CHANNEL FREQUENCY | | | | | | |
| Nominal Channel Frequency | $f_{SW(nom)}$ | | 280 | 300 | 320 | kHz |
| Adjustment Range | | | 300 | | 450 | kHz |

Electrical Specifications Operating Conditions: $V_{DD} = 5V$, $T_A = -10^\circ C$ to $+100^\circ C$ (HRZ), $T_A = -40^\circ C$ to $+85^\circ C$ (IRZ), $f_{SW} = 300kHz$, unless otherwise noted. **Boldface limits apply across the operating temperature range, $-40^\circ C$ to $+100^\circ C$.** (Continued)

| PARAMETER | SYMBOL | TEST CONDITIONS | MIN (Note 6) | TYP | MAX (Note 6) | UNIT |
|---|------------------|---|-----------------|-------|-----------------|---------|
| AMPLIFIERS | | | | | | |
| Current-Sense Amplifier Input Offset | HRZ | $I_{FB} = 0A$ | -0.15 | | +0.15 | mV |
| | IRZ | $I_{FB} = 0A$ | -0.20 | | +0.20 | mV |
| Error Amp DC Gain | A_{VO} | | | 119 | | dB |
| Error Amp Gain-Bandwidth Product | GBW | $C_L = 20pF$ | | 17 | | MHz |
| ISEN | | | | | | |
| Input Bias Current | | | | 20 | | nA |
| POWER-GOOD (PGOOD AND PGOOD_NB) AND PROTECTION MONITORS | | | | | | |
| PGOOD Low Voltage | V_{OL} | $I_{PGOOD} = 4mA$ | | | 0.4 | V |
| PGOOD Leakage Current | I_{OH} | PGOOD = 3.3V | -1 | | 1 | μA |
| PWROK High Threshold | | | | 750 | | mV |
| VR_HOT_L Pull-Down | | | | 11 | | W |
| PWROK Leakage Current | | | | | 1 | μA |
| VR_HOT_L Leakage Current | | | | | 1 | μA |
| GATE DRIVER | | | | | | |
| UGATE Pull-Up Resistance | R_{UGPU} | 200mA source current | | 1.0 | 1.5 | W |
| UGATE Source Current | I_{UGSRC} | UGATE - PHASE = 2.5V | | 2.0 | | A |
| UGATE Sink Resistance | R_{UGPD} | 250mA sink current | | 1.0 | 1.5 | W |
| UGATE Sink Current | I_{UGSNK} | UGATE - PHASE = 2.5V | | 2.0 | | A |
| LGATE Pull-Up Resistance | R_{LGPU} | 250mA source current | | 1.0 | 1.5 | W |
| LGATE Source Current | I_{LGSRC} | LGATE - VSSP = 2.5V | | 2.0 | | A |
| LGATE Sink Resistance | R_{LGPD} | 250mA sink current | | 0.5 | 0.9 | W |
| LGATE Sink Current | I_{LGSNK} | LGATE - VSSP = 2.5V | | 4.0 | | A |
| UGATE to LGATE Dead Time | t_{UGFLGR} | UGATE falling to LGATE rising, no load | | 23 | | ns |
| LGATE to UGATE Dead Time | t_{LGFUGR} | LGATE falling to UGATE rising, no load | | 28 | | ns |
| PROTECTION | | | | | | |
| Overvoltage Threshold | OV_H | VSEN rising above setpoint for $>1\mu s$ | 275 | 325 | 375 | mV |
| Undervoltage Threshold | OV_H | VSEN falls below setpoint for $>1\mu s$ | 275 | 325 | 375 | mV |
| Current Imbalance Threshold | | One ISEN above another ISEN for $>1.2ms$ | | 9 | | mV |
| Way Overcurrent Trip Threshold [IMONx Current Based Detection] | $IMONx_{WOC}$ | All states, $I_{DROOP} = 60\mu A$, $R_{IMON} = 135k\Omega$ | | 15 | | μA |
| Overcurrent Trip Threshold [IMONx Voltage Based Detection] | V_{IMONx_OCP} | All states, $I_{DROOP} = 45\mu A$, $I_{IMONx} = 11.25\mu A$, $R_{IMON} = 135k\Omega$ | 1.485 | 1.510 | 1.535 | V |
| LOGIC THRESHOLDS | | | | | | |
| ENABLE Input Low | V_{IL} | | | | 1 | V |
| ENABLE Input High | V_{IH} | HRZ | 1.6 | | | V |
| | V_{IH} | IRZ | 1.65 | | | V |
| ENABLE Leakage Current | I_{ENABLE} | ENABLE = 0V | -1 | 0 | 1 | μA |
| | | ENABLE = 1V | | 18 | 35 | μA |

Electrical Specifications Operating Conditions: $V_{DD} = 5V$, $T_A = -10^\circ C$ to $+100^\circ C$ (HRZ), $T_A = -40^\circ C$ to $+85^\circ C$ (IRZ), $f_{SW} = 300kHz$, unless otherwise noted. **Boldface limits apply across the operating temperature range, $-40^\circ C$ to $+100^\circ C$.** (Continued)

| PARAMETER | SYMBOL | TEST CONDITIONS | MIN (Note 6) | TYP | MAX (Note 6) | UNIT |
|--|----------|-----------------------------------|-----------------|-----|-----------------|-------------|
| SVT Impedance | | | | 50 | | W |
| SVC, SVD Input Low | V_{IL} | % of VDDIO | | | 30 | % |
| SVC, SVD Input High | V_{IH} | % of VDDIO | 70 | | | % |
| SVC, SVD Leakage | | ENABLE = 0V, SVC, SVD = 0V and 1V | -1 | | 1 | μA |
| | | ENABLE = 1V, SVC, SVD = 1V | -5 | | 1 | μA |
| | | ENABLE = 1V, SVC, SVD = 0V | -35 | -20 | -5 | μA |
| PWM | | | | | | |
| PWM Output Low | V_{OL} | Sinking 5mA | | | 1.0 | V |
| PWM Output High | V_{OH} | Sourcing 5mA | 3.5 | | | V |
| PWM Tri-State Leakage | | PWM = 2.5V | | | 0.5 | μA |
| THERMAL MONITOR | | | | | | |
| NTC Source Current | | NTC = 0.6V | 27 | 30 | 33 | μA |
| NTC Thermal Warning Voltage | | | 600 | 640 | 680 | mV |
| NTC Thermal Warning Voltage Hysteresis | | | | 20 | | mV |
| NTC Thermal Shutdown Voltage | | | 530 | 580 | 630 | mV |
| SLEW RATE | | | | | | |
| VID-on-the-Fly Slew Rate | | Maximum programmed | 16 | 20 | 24 | mV/ μs |
| | | Minimum programmed | 8 | 10 | 12 | mV/ μs |

NOTES:

6. Compliance to datasheet limits is assured by one or more methods: production test, characterization and/or design.

Gate Driver Timing Diagram

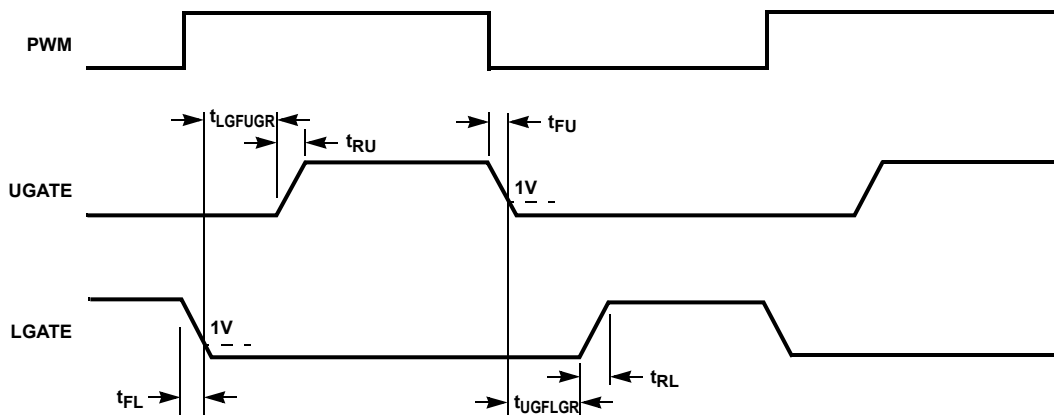


FIGURE 8. GATE DRIVER TIMING DIAGRAM

Theory of Operation

Multiphase R3™ Modulator

The ISL62773 is a multiphase regulator implementing two voltage regulators, CORE VR and Northbridge (NB) VR, on one chip controlled by AMD's™ SVI2™ protocol. The CORE VR can be programmed for 1-, 2- or 3-phase operation. The Northbridge VR can be configured for 1- or 2-phase operation. Both regulators use the Intersil patented R3™ (Robust Ripple Regulator) modulator. The R3™ modulator combines the best features of fixed frequency PWM and hysteretic PWM while eliminating many of their shortcomings. [Figure 9](#) conceptually shows the multiphase R3™ modulator circuit and [Figure 10](#) shows the operation principles.

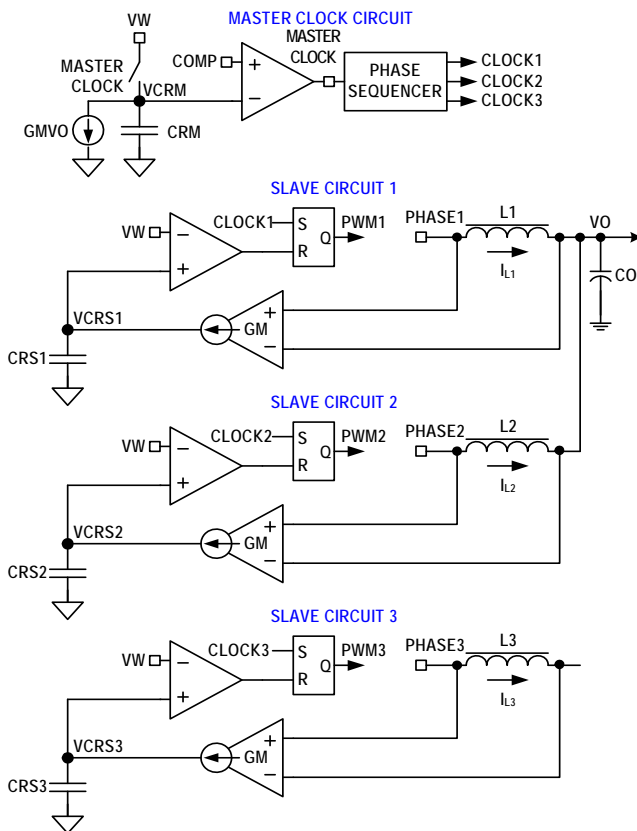


FIGURE 9. R3™ MODULATOR CIRCUIT

Inside the IC, the modulator uses the master clock circuit to generate the clocks for the slave circuits. The modulator discharges the ripple capacitor C_{rm} with a current source equal to $g_m V_o$, where g_m is a gain factor. C_{rm} voltage V_{CRM} is a sawtooth waveform traversing between the VW and COMP voltages. It resets to VW when it hits COMP and generates a one-shot master clock signal. A phase sequencer distributes the master clock signal to the slave circuits. If the CORE VR is in 3-phase mode, the master clock signal is distributed to the three phases and the Clock 1~3 signals will be 120° out-of-phase. If the Core VR is in 2-phase mode, the master clock signal is distributed to Phases 1 and 2 and the Clock1 and Clock2 signals will be 180° out-of-phase. If the Core VR is in 1-phase mode, the master clock signal will be distributed to Phase 1 only and be the Clock1 signal.

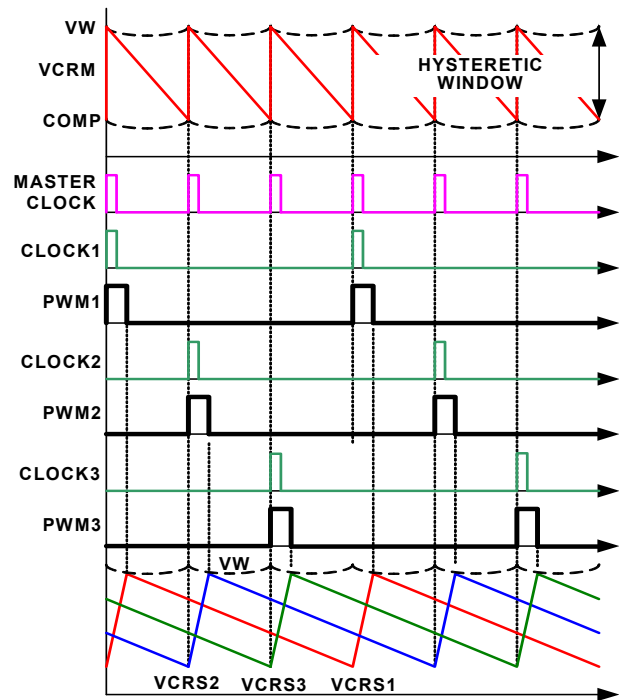


FIGURE 10. R3™ MODULATOR OPERATION PRINCIPLES IN STEADY STATE

Each slave circuit has its own ripple capacitor C_{rs} , whose voltage mimics the inductor ripple current. A g_m amplifier converts the inductor voltage into a current source to charge and discharge C_{rs} . The slave circuit turns on its PWM pulse upon receiving the clock signal and the current source charges C_{rs} . When C_{rs} voltage V_{CRS} hits VW, the slave circuit turns off the PWM pulse and the current source discharges C_{rs} .

Since the controller works with V_{crs} , which are large amplitude and noise-free synthesized signals, it achieves lower phase jitter than conventional hysteretic mode and fixed PWM mode controllers. Unlike conventional hysteretic mode converters, the error amplifier allows the ISL62773 to maintain a 0.5% output voltage accuracy.

[Figure 11](#) shows the operation principles during load insertion response. The COMP voltage rises during load insertion, generating the master clock signal more quickly, so the PWM pulses turn on earlier, increasing the effective switching frequency. This allows for higher control loop bandwidth than conventional fixed frequency PWM controllers. The VW voltage rises as the COMP voltage rises, making the PWM pulses wider. During load release response, the COMP voltage falls. It takes the master clock circuit longer to generate the next master clock signal so the PWM pulse is held off until needed. The VW voltage falls as the COMP voltage falls, reducing the current PWM pulse width. This kind of behavior gives the ISL62773 excellent response speed.

The fact that all the phases share the same VW window voltage also ensures excellent dynamic current balance among phases.

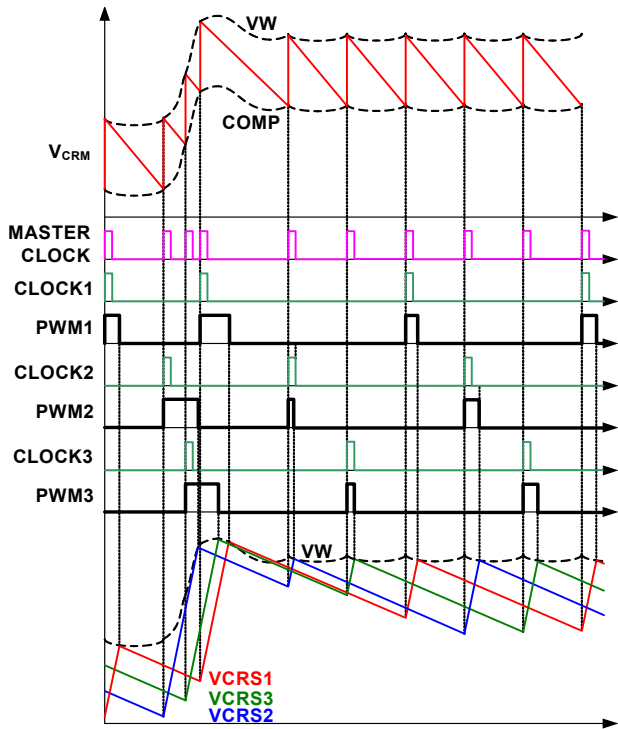


FIGURE 11. R3™ MODULATOR OPERATION PRINCIPLES IN LOAD INSERTION RESPONSE

Diode Emulation and Period Stretching

The ISL62773 can operate in diode emulation (DE) mode to improve light-load efficiency. In DE mode, the low-side MOSFET conducts when the current is flowing from source to drain and does not allow reverse current, thus emulating a diode. Figure 12 shows that when LGATE is on, the low-side MOSFET carries current, creating negative voltage on the phase node due to the voltage drop across the ON-resistance. The ISL62773 monitors the current by monitoring the phase node voltage. It turns off LGATE when the phase node voltage reaches zero to prevent the inductor current from reversing the direction and creating unnecessary power loss.

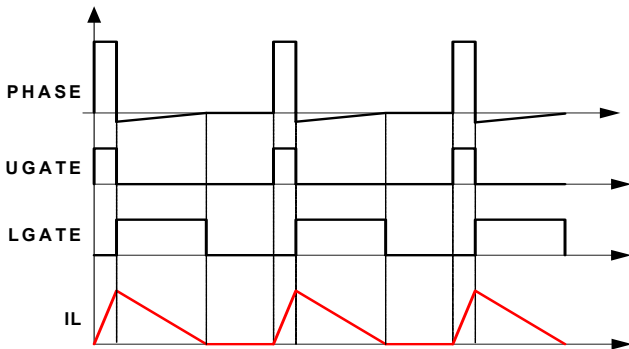


FIGURE 12. DIODE EMULATION

If the load current is light enough, as Figure 12 shows, the inductor current reaches and stays at zero before the next phase node pulse and the regulator is in Discontinuous Conduction Mode (DCM). If the load current is heavy enough, the inductor current will never reach 0A and the regulator is in CCM, although the controller is in DE mode.

Figure 13 shows the operation principle in diode emulation mode at light load. The load gets incrementally lighter in the three cases from top to bottom. The PWM on-time is determined by the VW window size and therefore is the same, making the inductor current triangle the same in the three cases. The ISL62773 clamps the ripple capacitor voltage V_{CRS} in DE mode to make it mimic the inductor current. It takes the COMP voltage longer to hit V_{CRS} , naturally stretching the switching period. The inductor current triangles move farther apart, such that the inductor current average value is equal to the load current. The reduced switching frequency helps increase light-load efficiency.

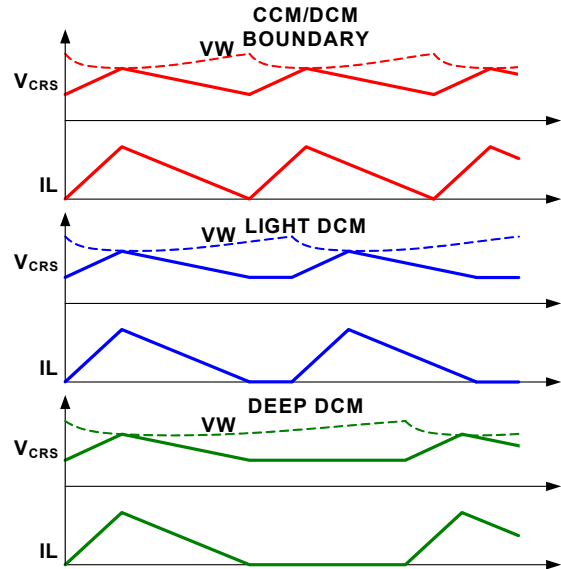


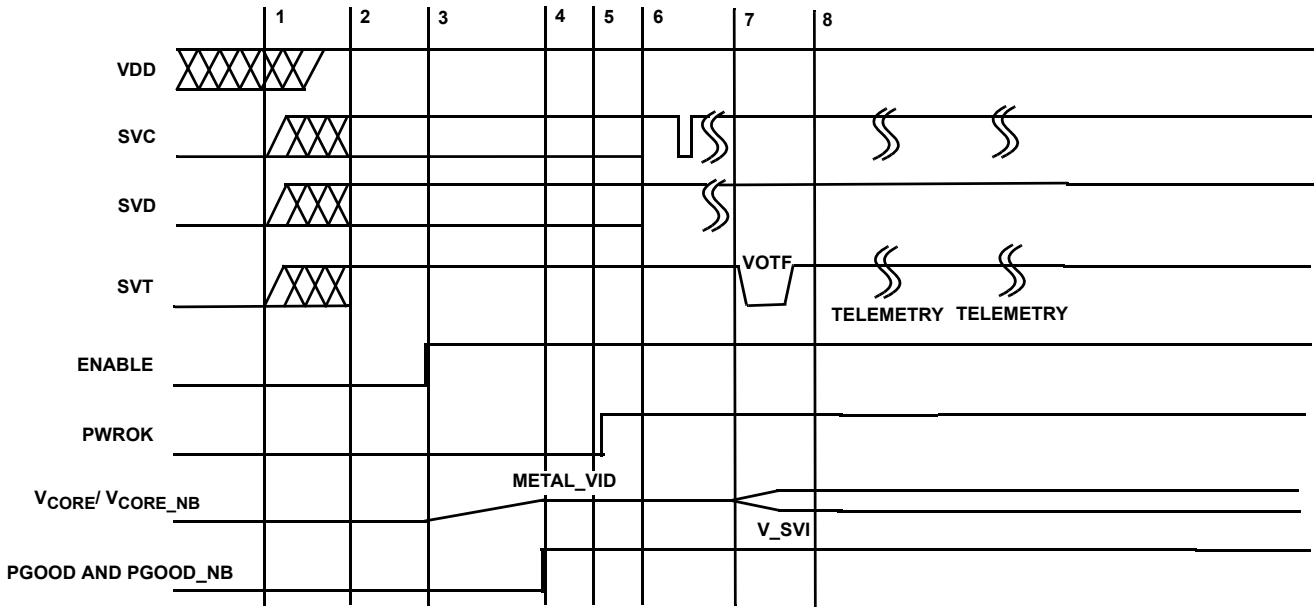
FIGURE 13. PERIOD STRETCHING

Channel Configuration

Individual PWM channels of either VR can be disabled by connecting the ISENx pin of the channel not required to +5V. For example, placing the controller in a 2+1 configuration (Figure 5), requires ISEN3 of the Core VR and ISEN2 of the Northbridge VR to be tied to +5V. This disables Channel 3 of the Core VR and Channel 2 of the Northbridge VR. ISEN1_NB must be tied through a 10kΩ resistor to GND to prevent this pin from pulling high and disabling the channel. Connecting ISEN1 or ISEN1_NB to +5V will disable the corresponding VR output. This feature allows debug of individual VR outputs.

Power-On Reset

Before the controller has sufficient bias to guarantee proper operation, the ISL62773 requires a +5V input supply tied to VDD and VDDP to exceed the VDD rising power-on reset (POR) threshold. Once this threshold is reached or exceeded, the ISL62773 has enough bias to check the state of the SVI inputs once ENABLE is taken high. Hysteresis between the rising and the falling threshold on VDD POR assure the ISL62773 does not inadvertently turn off unless the bias voltage drops substantially (see “Electrical Specifications” on page 11). Note that VIN must be present for the controller to drive the output voltage.



Interval 1 to 2: ISL62773 waits to POR.
 Interval 2 to 3: SVC and SVD are externally set to pre-Metal VID code.
 Interval 3 to 4: ENABLE locks pre-Metal VID code. Both outputs soft-start to this level.
 Interval 4 to 5: PGOOD signal goes HIGH, indicating proper operation.
 Interval 5 to 6: PGOOD and PGOOD_NB high is detected and PWROK is taken high. The ISL62773 is prepared for SVI commands.
 Interval 6 to 7: SVC and SVD data lines communicate change in VID code.
 Interval 7 to 8: ISL62773 responds to VID-ON-THE-FLY code change and issues a VOTF for positive VID changes.
 Post 8: Telemetry is clocked out of the ISL62773.

FIGURE 14. SVI INTERFACE TIMING DIAGRAM: TYPICAL PRE-PWROK METAL VID START-UP

Start-Up Timing

With VDD above the POR threshold, the controller start-up sequence begins when ENABLE exceeds the logic high threshold. Figure 15 shows the typical soft-start timing of the Core and Northbridge VRs. Once the controller registers ENABLE as a high, the controller checks that state of a few programming pins during the typical 8ms delay prior to beginning soft-starting the Core and Northbridge outputs. The pre-PWROK Metal VID is read from the state of the SVC and SVD pins and programs the DAC, the programming resistors on COMP, COMP_NB and FCCM_NB are read to configure internal drivers, switching frequency, slew rate and output offsets. These programming resistors are discussed in subsequent sections. The ISL62773 uses a digital soft-start to ramp up the DAC to the Metal VID level programmed. The soft-start slew rate is programmed by the FCCM_NB resistor, which is used to set the VID-on-the-Fly slew rate as well. See “VID-on-the-Fly Slew Rate Selection” on page 21 for more details on selecting the FCCM_NB resistor. PGOOD is asserted high at the end of the soft-start ramp.

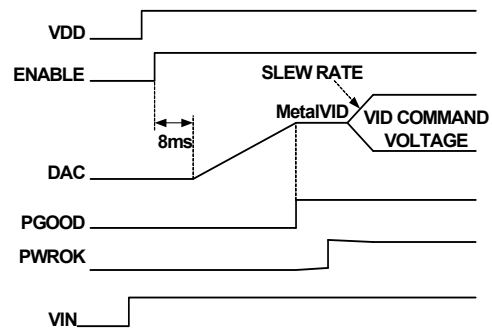


FIGURE 15. TYPICAL SOFT-START WAVEFORMS

Voltage Regulation and Load Line Implementation

After the soft-start sequence, the ISL62773 regulates the output voltages to the pre-PWROK metal VID programmed, see Table 6. The ISL62773 controls the no-load output voltage to an accuracy of ±0.5% over the range of 0.75V to 1.55V. A differential amplifier allows voltage sensing for precise voltage regulation at the microprocessor die.

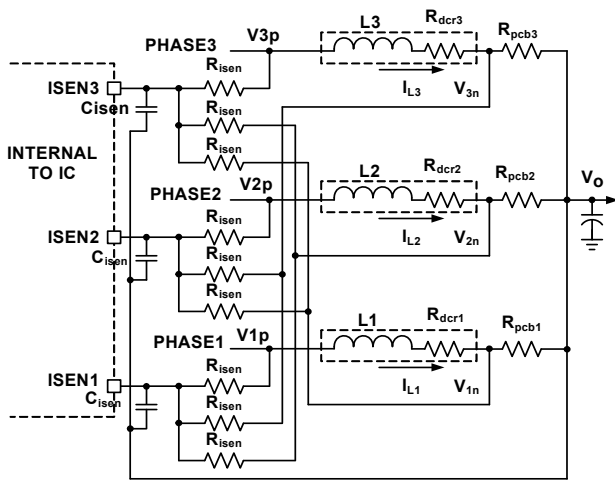


FIGURE 18. DIFFERENTIAL-SENSING CURRENT BALANCING CIRCUIT

At times, it is difficult to implement symmetrical layout. For the circuit shown in [Figure 17](#), asymmetric layout causes different R_{pcb1} , R_{pcb2} and R_{pcb3} values, thus creating a current imbalance. [Figure 18](#) shows a differential sensing current balancing circuit recommended for ISL62773. The current sensing traces should be routed to the inductor pads so they only pick up the inductor DCR voltage. Each ISEN pin sees the average voltage of three sources: its own, phase inductor phase-node pad and the other two phases inductor output side pads. [Equations 8](#) through [10](#) give the ISEN pin voltages:

$$V_{ISEN1} = V_{1p} + V_{2n} + V_{3n} \quad (\text{EQ. 8})$$

$$V_{ISEN2} = V_{1n} + V_{2p} + V_{3n} \quad (\text{EQ. 9})$$

$$V_{ISEN3} = V_{1n} + V_{2n} + V_{3p} \quad (\text{EQ. 10})$$

The ISL62773 will make $V_{ISEN1} = V_{ISEN2} = V_{ISEN3}$ as shown in [Equations 11](#) and [12](#):

$$V_{1p} + V_{2n} + V_{3n} = V_{1n} + V_{2p} + V_{3n} \quad (\text{EQ. 11})$$

$$V_{1n} + V_{2p} + V_{3n} = V_{1n} + V_{2n} + V_{3p} \quad (\text{EQ. 12})$$

Rewriting [Equation 11](#) gives [Equation 13](#):

$$V_{1p} - V_{1n} = V_{2p} - V_{2n} \quad (\text{EQ. 13})$$

Rewriting [Equation 12](#) gives [Equation 14](#):

$$V_{2p} - V_{2n} = V_{3p} - V_{3n} \quad (\text{EQ. 14})$$

Combining [Equations 13](#) and [14](#) gives:

$$V_{1p} - V_{1n} = V_{2p} - V_{2n} = V_{3p} - V_{3n} \quad (\text{EQ. 15})$$

Therefore:

$$R_{dcr1} \times I_{L1} = R_{dcr2} \times I_{L2} = R_{dcr3} \times I_{L3} \quad (\text{EQ. 16})$$

Current balancing ($I_{L1} = I_{L2} = I_{L3}$) is achieved when $R_{dcr1} = R_{dcr2} = R_{dcr3}$. R_{pcb1} , R_{pcb2} and R_{pcb3} do not have any effect.

Since the slave ripple capacitor voltages mimic the inductor currents, the R3™ modulator can naturally achieve excellent current balancing during steady state and dynamic operations. [Figure 19](#) shows the current balancing performance of the evaluation board with load transient of 12A/51A at different repetition rates. The inductor currents follow the load current dynamic change with the output capacitors supplying the difference. The inductor currents can track the load current well at a low repetition rate, but cannot keep up when the repetition rate gets into the hundred-kHz range, where it is out of the control loop bandwidth. The controller achieves excellent current balancing in all cases installed.

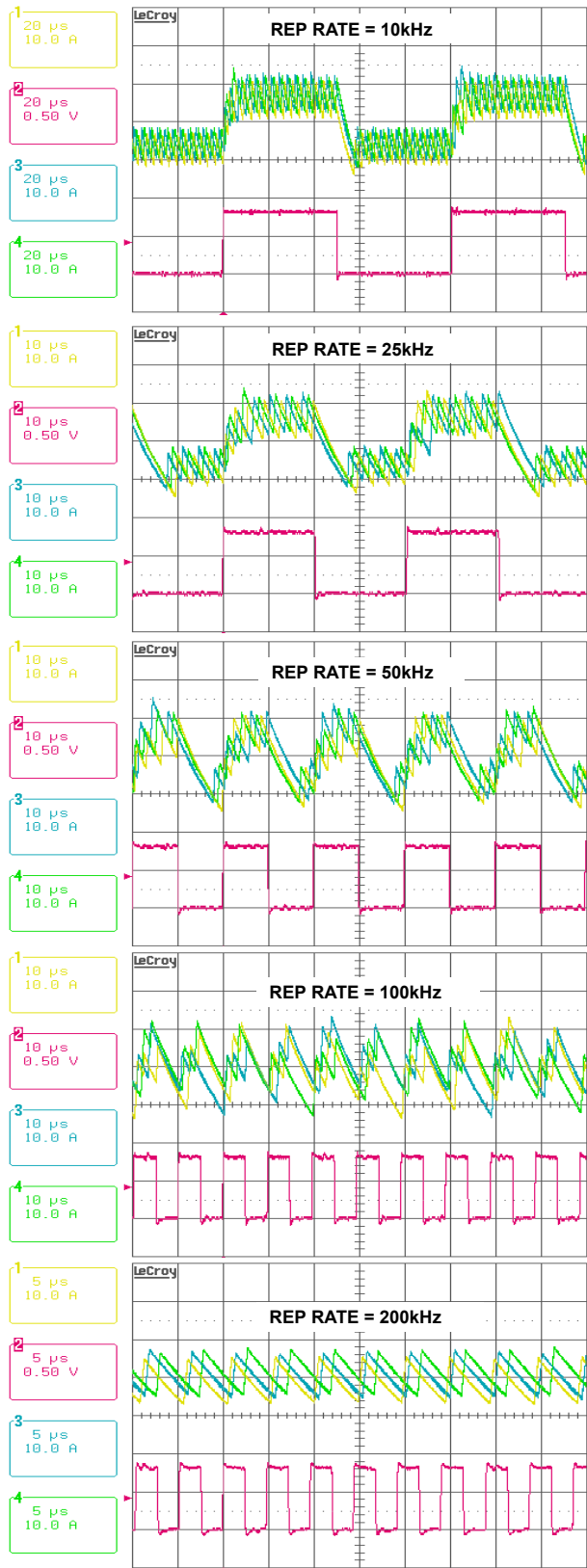


FIGURE 19. CURRENT BALANCING DURING DYNAMIC OPERATION.
 CH1: I_{L1} , CH2: I_{LOAD} , CH3: I_{L2} , CH4: I_{L3}

Modes of Operation

TABLE 1. CORE VR MODES OF OPERATION

| CONFIG. | ISEN3 | ISEN2 | PSLO_L AND PSI1_L | MODE | OCP THRESHOLD (μ A) |
|-------------------------|----------------|----------------|-------------------|-------------|--------------------------|
| 3-phase Core VR Config. | To Power Stage | To Power Stage | 11 | 3-phase CCM | 45 |
| | | | 01 | 2-phase CCM | |
| | | | 00 | 1-phase DE | |
| 2-phase Core VR Config. | Tied to 5V | To Power Stage | 11 | 2-phase CCM | 45 |
| | | | 01 | 1-phase CCM | |
| | | | 00 | 1-phase DE | |
| 1-phase Core VR Config. | Tied to 5V | Tied to 5V | 11 | 1-phase CMM | 45 |
| | | | 01 | | |
| | | | 00 | 1-phase DE | |

The Core VR can be configured for 3-, 2- or 1-phase operation. [Table 1](#) shows Core VR configurations and operational modes, programmed by the ISEN3 and ISEN2 pin status and the PSLO_L and PSI1_L commands via the SVI 2 interface, see [Table 9 on page 25](#).

For a 2-phase configuration, tie the ISEN3 pin to 5V. In this configuration, phases 1 and 2 are active. To select a 1-phase configuration, tie the ISEN3 pin and the ISEN2 pin to 5V. In this configuration, only phase-1 is active.

In a 3-phase configuration, the Core VR operates in 3-phase CCM, with PSIO_L and PSI_L both high. If PSIO_L is taken low via the SVI 2 interface, the Core VR drops phase 3 and continues to operate in CCM. When both PSIO_L and PSI1_L are taken low, the Core VR drops phase 2 and enters 1-phase DE mode.

For 2-phase configurations, the Core VR operates in 2-phase CCM with PSIO_L and PSI_L both high. If PSIO_L is taken low via the SVI 2 interface, the Core VR drops phase 2 and continues to operate in 1-phase CCM. When both PSIO_L and PSI1_L are taken low, the Core VR enters 1-phase DE mode.

In a 1-phase configuration, the Core VR operates in 1-phase CCM and enters 1-phase DE when both PSIO_L and PSI1_L are low.

The Core VR can be disabled completely by connecting ISEN1 to +5V.

TABLE 2. NORTHBRIDGE VR MODES OF OPERATION

| ISEN2_NB | CONFIG. | PSLO_L AND PSI1_L | MODE | OCP THRESHOLD |
|----------------|-----------------------|-------------------|-------------|---------------|
| To Power Stage | 2-phase NB VR Config. | 11 | 2-phase CCM | 45 μ A |
| | | 01 | 1-phase CCM | |
| | | 00 | 1-phase DE | |
| Tied to 5V | 1-phase NB VR Config. | 11 | 1-phase CCM | 45 μ A |
| | | 01 | 1-phase CCM | |
| | | 00 | 1-phase DE | |

ISL62773 Northbridge VR can be configured for 2- or 1-phase operation. [Table 2](#) shows the Northbridge VR configurations and operational modes, which are programmed by the ISEN2_NB pin status and the PSIO_L and PSI1_L bits of the SVI 2 command.

In a 1-phase configuration, the ISEN2_NB pin is tied to +5V. The Northbridge VR operates in 1-phase CCM and enters 1-phase DE when both PSIO_L and PSI1_L are low.

The Northbridge VR can be disabled completely by tying ISEN1_NB to 5V.

Dynamic Operation

Core VR and Northbridge VR behave the same during dynamic operation. The controller responds to VID-on-the-fly changes by slewing to the new voltage at the slew rate programmed, see Table 4. During negative VID transitions, the output voltage decays to the lower VID value at the slew rate determined by the load.

The R3™ modulator intrinsically has voltage feed-forward. The output voltage is insensitive to a fast slew rate input voltage change.

FB2 Function

The Core VR features an FB2 pin. The FB2 function is only available when the Core VR is in a 2-phase configuration.

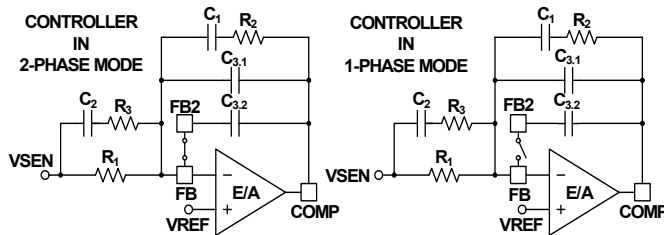


FIGURE 20. FB2 FUNCTION

Figure 20 shows the FB2 function. A switch (called FB2 switch) turns on to short the FB and the FB2 pins when the controller is in 2-phase mode. Capacitors C_{3,1} and C_{3,2} are in parallel, serving as part of the compensator. When the controller enters 1-phase mode, the FB2 switch turns off, removing C_{3,2} and leaving only C_{3,1} in the compensator. The compensator gain increases with the removal of C_{3,2}. By properly sizing C_{3,1} and C_{3,2}, the compensator can be optimal for both 2-phase mode and 1-phase mode.

When the FB2 switch is off, C_{3,2} is disconnected from the FB pin. However, the controller still actively drives the FB2 pin voltage to follow the FB pin voltage such that C_{3,2} voltage always follows C_{3,1} voltage. When the controller turns on the FB2 switch, C_{3,2} is reconnected to the compensator smoothly.

The FB2 function ensures excellent transient response in both 2-phase and 1-phase mode. If the FB2 function is not used, populate C_{3,1} only.

Adaptive Body Diode Conduction Time Reduction

In DCM, the controller turns off the low-side MOSFET when the inductor current approaches zero. During on-time of the low-side MOSFET, phase voltage is negative and the amount is the MOSFET r_{DS(ON)} voltage drop, which is proportional to the inductor current. A phase comparator inside the controller monitors the phase voltage during on-time of the low-side MOSFET and compares it with a threshold to determine the zero

crossing point of the inductor current. If the inductor current has not reached zero when the low-side MOSFET turns off, it will flow through the low-side MOSFET body diode, causing the phase node to have a larger voltage drop until it decays to zero. If the inductor current has crossed zero and reversed the direction when the low-side MOSFET turns off, it will flow through the high-side MOSFET body diode, causing the phase node to have a spike until it decays to zero. The controller continues monitoring the phase voltage after turning off the low-side MOSFET. To minimize the body diode-related loss, the controller also adjusts the phase comparator threshold voltage accordingly in iterative steps such that the low-side MOSFET body diode conducts for approximately 40ns.

Resistor Configuration Options

The ISL62773 uses the COMP, COMP_NB and FCCM_NB pins to configure some functionality within the IC. Resistors from these pins to GND are read during the first portion of the soft-start sequence. The following sections outline how to select the resistor values for each of these pins to correctly program the output voltage offset of each output, the configuration of the floating DriverX and PWM_Y output, VID-on-the-Fly slew rate and switching frequency used for both VRs.

VR Offset Programming

A positive or negative offset is programmed for the Core VR using a resistor to ground from the COMP pin and the Northbridge in a similar manner from the COMP_NB pin. Table 3 provides the resistor value to select the desired output voltage offset

TABLE 3. COMP AND COMP_NB OUTPUT VOLTAGE OFFSET SELECTION

| RESISTOR VALUE [kΩ] | COMP V _{CORE} OFFSET [mV] | COMP_NB OFFSET [mV] |
|---------------------|------------------------------------|---------------------|
| 5.62 | -43.75 | 18.75 |
| 9.53 | -37.5 | 31.25 |
| 13.3 | -31.25 | 43.76 |
| 16.9 | -25 | 50 |
| 21.0 | -18.75 | 37.5 |
| 26.7 | -12.5 | 25 |
| 34.0 | -6.25 | 12.5 |
| 41.2 | 6.25 | 0 |
| 57.6 | 18.75 | 18.75 |
| 73.2 | 31.25 | 31.25 |
| 95.3 | 43.76 | 43.76 |
| 121 | 50 | 50 |
| 154 | 37.5 | 37.5 |
| 182 | 25 | 25 |
| 221 | 12.5 | 12.5 |
| OPEN | 0 | 0 |

Floating DriverX and PWM_Y Configuration

The ISL62773 allows for one internal driver and one PWM output to be configured to opposite VRs depending on the desired configuration of the Northbridge VR. Internal DriverX can be used as Channel 1 of the Northbridge VR with PWM_Y used for Channel 3 of the Core VR. Using this partitioning, a 2+1 or 1+1 configured ISL62773 would not require an external driver.

If routing of the driver signals would be a cause of concern due to having an internal driver on the Northbridge VR, then the ISL62773 can be configured to use PWM_Y as Channel 1 on the Northbridge VR. DriverX would then be used as Channel 3 of the Core VR. This allows the placement of the external drivers for the Northbridge VR to be closer to the output stage(s) depending on the number of active Phases. Providing placement and layout flexibility to the Northbridge VR.

TABLE 4. FCCM_NB RESISTOR SELECTION

| RESISTOR VALUE [kΩ] | SLEW RATE FOR CORE AND NORTHBRIDGE [mV/μs] | DriverX | PWM_Y |
|---------------------|--|----------------------|----------------------|
| 5.62 | 20 | Core VR Channel 3 | NB VR Channel 1 |
| 9.53 | 15 | | |
| 13.3 | 12.5 | | |
| 16.9 | 10 | | |
| 21.0 | 20 | | |
| 26.7 | 15 | | |
| 34.0 | 12.5 | | |
| 41.2 | 10 | | |
| 57.6 | 20 | NB VR Channel 1 | Core VR Channel 3 |
| 73.2 | 15 | | |
| 95.3 | 12.5 | | |
| 121 | 10 | | |
| 154 | 20 | | |
| 182 | 15 | | |
| 221 | 12.5 | | |
| OPEN | 10 | | |

VID-on-the-Fly Slew Rate Selection

The FCCM_NB resistor is also used to select the slew rate for VID changes commanded by the processor. Once selected, the slew rate is locked in during soft-start and is not adjustable during operation. The lowest slew rate which can be selected is 10mV/μs, which is above the minimum of 7.5mV/μs required by the SVI2 specification. The slew rate selected sets the slew rate for both Core and Northbridge VRs, thus they cannot be independently selected.

CCM Switching Frequency

The Core and Northbridge VR switching frequency is set by the programming resistors on COMP_NB and FCCM_NC. When the ISL62773 is in continuous conduction mode (CCM), the switching

frequency is not absolutely constant due to the nature of the R3™ modulator. As explained in the [“Multiphase R3™ Modulator” on page 14](#), the effective switching frequency increases during load insertion and decreases during load release to achieve fast response. Thus, the switching frequency is relatively constant at steady state. Variation is expected when the power stage condition, such as input voltage, output voltage, load, etc. changes. The variation is usually less than 10% and does not have any significant effect on output voltage ripple magnitude. [Table 5](#) defines the switching frequency based on the resistor values used to program the COMP_NB and FCCM_NB pins. Use [Tables 3](#) and [4](#) to determine the correct resistor value in these ranges to program the desired output offset, Slew Rate and DriverX/PWM_Y configuration.

TABLE 5. SWITCHING FREQUENCY SELECTION

| FREQUENCY [kHz] | COMP_NB RANGE [kΩ] | FCCM_NB RANGE [kΩ] |
|-----------------|--------------------|-----------------------------------|
| 300 | 57.6 to OPEN | 21.0 to 41.2 or 154 to OPEN |
| 350 | 5.62 to 41.2 | 21.0 to 41.2 or 154 to OPEN |
| 400 | 57.6 to OPEN | 5.62 to 16.9 or 57.6 to 121 |
| 450 | 5.62 to 41.2 | 5.62 to 16.9 or 57.6 to 121 |

The controller monitors SVI commands to determine when to enter power-saving mode, implement dynamic VID changes and shut down individual outputs.

AMD Serial VID Interface 2.0

The on-board Serial VID Interface 2.0 (SVI 2) circuitry allows the AMD processor to directly control the Core and Northbridge voltage reference levels within the ISL62773. Once the PWROK signal goes high, the IC begins monitoring the SVC and SVD pins for instructions. The ISL62773 uses a digital-to-analog converter (DAC) to generate a reference voltage based on the decoded SVI value. See [Figure 14 on page 16](#) for a simple SVI interface timing diagram.

Pre-PWROK Metal VID

Typical motherboard start-up begins with the controller decoding the SVC and SVD inputs to determine the pre-PWROK Metal VID setting (see [Table 6](#)). Once the ENABLE input exceeds the rising threshold, the ISL62773 decodes and locks the decoded value into an on-board hold register.

TABLE 6. PRE-PWROK METAL VID CODES

| SVC | SVD | OUTPUT VOLTAGE (V) |
|-----|-----|--------------------|
| 0 | 0 | 1.1 |
| 0 | 1 | 1.0 |
| 1 | 0 | 0.9 |
| 1 | 1 | 0.8 |

Once the programming pins are read, the internal DAC circuitry begins to ramp Core and Northbridge VRs to the decoded pre-PWROK Metal VID output level. The digital soft-start circuitry ramps the internal reference to the target gradually at a fixed rate of approximately 5mV/ μ s until the output voltage reaches ~250mV and then at the programmed slew rate. The controlled ramp of all output voltage planes reduces in-rush current during the soft-start interval. At the end of the soft-start interval, the PGOOD and PGOOD_NB outputs transition high, indicating both output planes are within regulation limits.

If the ENABLE input falls below the enable falling threshold, the ISL62773 tri-states both outputs. PGOOD and PGOOD_NB are pulled low with the loss of ENABLE. The Core and Northbridge VR output voltages decay, based on output capacitance and load leakage resistance. If bias to VDD falls below the POR level, the ISL62773 responds in the manner previously described. Once VDD and ENABLE rise above their respective rising thresholds, the internal DAC circuitry reacquires a pre-PWROK metal VID code and the controller soft-starts.

SVI Interface Active

Once the Core and Northbridge VRs have successfully soft-started and PGOOD and PGOOD_NB signals transition high, PWROK can be asserted externally to the ISL62773. Once PWROK is asserted to the IC, SVI instructions can begin as the controller actively monitors the SVI interface. Details of the SVI Bus protocol are provided in the “AMD Serial VID Interface 2.0 (SVI2) Specification”. See AMD publication #48022.

Once a VID change command is received, the ISL62773 decodes the information to determine which VR is affected and the VID target is determined by the byte combinations in [Table 7](#). The internal DAC circuitry steps the output voltage of the VR commanded to the new VID level. During this time, one or more of the VR outputs could be targeted. In the event either VR is commanded to power-off by serial VID commands, the PGOOD signal remains asserted.

If the PWROK input is deasserted, then the controller steps both the Core and the Northbridge VRs back to the stored pre-PWROK metal VID level in the holding register from initial soft-start. No attempt is made to read the SVC and SVD inputs during this time. If PWROK is reasserted, then the ISL62773 SVI interface waits for instructions.

If ENABLE goes low during normal operation, all external MOSFETs are tri-stated and both PGOOD and PGOOD_NB are pulled low. This event clears the pre-PWROK metal VID code and forces the controller to check SVC and SVD upon restart, storing the pre-PWROK metal VID code found on restart.

A POR event on either VCC or VIN during normal operation shuts down both regulators and both PGOOD outputs are pulled low. The pre-PWROK metal VID code is not retained.

VID-on-the-Fly Transition

Once PWROK is high, the ISL62773 detects this flag and begins monitoring the SVC and SVD pins for SVI instructions. The microprocessor follows the protocol outlined in the following sections to send instructions for VID-on-the-fly transitions. The ISL62773 decodes the instruction and acknowledges the new VID code. For VID codes higher than the current VID level, the ISL62773 begins stepping the commanded VR outputs to the new VID target with the slew rate programmed by the FCCM_NB resistor.

When the VID codes are lower than the current VID level, the ISL62773 checks the state of power state bits in the SVI command. If power state bits are not active, the controller begins stepping the regulator output to the new VID target. If the power state bits are active, the controller allows the output voltage to decay and slowly steps the DAC down with the natural decay of the output. This allows the controller to quickly recover and move to a high VID code if commanded.

SVI Data Communication Protocol

The SVI WIRE protocol is based on the I²C bus concept. Two wires [serial clock (SVC) and serial data (SVD)], carry information between the AMD processor (master) and VR controller (slave) on the bus. The master initiates and terminates SVI transactions and drives the clock, SVC, during a transaction. The AMD processor is always the master and the voltage regulators are the slaves. The slave receives the SVI transactions and acts accordingly. Mobile SVI WIRE protocol timing is based on high-speed mode I²C. See AMD publication #48022 for additional details.

TABLE 7. SERIAL VID CODES

| SVID[7:0] | VOLTAGE (V) | SVID[6:0] | VOLTAGE (V) | SVID[6:0] | VOLTAGE (V) | SVID[6:0] | VOLTAGE (V) |
|-----------|-------------|-----------|-------------|-----------|-------------|-----------|-------------|
| 0000_0000 | 1.55000 | 0010_0000 | 1.35000 | 0100_0000 | 1.15000 | 0110_0000 | 0.95000 |
| 0000_0001 | 1.54375 | 0010_0001 | 1.34375 | 0100_0001 | 1.14375 | 0110_0001 | 0.94375 |
| 0000_0010 | 1.53750 | 0010_0010 | 1.33750 | 0100_0010 | 1.13750 | 0110_0010 | 0.93750 |
| 0000_0011 | 1.53125 | 0010_0011 | 1.33125 | 0100_0011 | 1.13125 | 0110_0011 | 0.93125 |
| 0000_0100 | 1.52500 | 0010_0100 | 1.32500 | 0100_0100 | 1.12500 | 0110_0100 | 0.92500 |
| 0000_0101 | 1.51875 | 0010_0101 | 1.31875 | 0100_0101 | 1.11875 | 0110_0101 | 0.91875 |
| 0000_0110 | 1.51250 | 0010_0110 | 1.31250 | 0100_0110 | 1.11250 | 0110_0110 | 0.91250 |
| 0000_0111 | 1.50625 | 0010_0111 | 1.30625 | 0100_0111 | 1.10625 | 0110_0111 | 0.90625 |
| 0000_1000 | 1.50000 | 0010_1000 | 1.30000 | 0100_1000 | 1.10000 | 0110_1000 | 0.90000 |
| 0000_1001 | 1.49375 | 0010_1001 | 1.29375 | 0100_1001 | 1.09375 | 0110_1001 | 0.89375 |
| 0000_1010 | 1.48750 | 0010_1010 | 1.28750 | 0100_1010 | 1.08750 | 0110_1010 | 0.88750 |
| 0000_1011 | 1.48125 | 0010_1011 | 1.28125 | 0100_1011 | 1.08125 | 0110_1011 | 0.88125 |
| 0000_1100 | 1.47500 | 0010_1100 | 1.27500 | 0100_1100 | 1.07500 | 0110_1100 | 0.87500 |
| 0000_1101 | 1.46875 | 0010_1101 | 1.26875 | 0100_1101 | 1.06875 | 0110_1101 | 0.86875 |
| 0000_1110 | 1.46250 | 0010_1110 | 1.26250 | 0100_1110 | 1.06250 | 0110_1110 | 0.86250 |
| 0000_1111 | 1.45625 | 0010_1111 | 1.25625 | 0100_1111 | 1.05625 | 0110_1111 | 0.85625 |
| 0001_0000 | 1.45000 | 0011_0000 | 1.25000 | 0101_0000 | 1.05000 | 0111_0000 | 0.85000 |
| 0001_0001 | 1.44375 | 0011_0001 | 1.24375 | 0101_0001 | 1.04375 | 0111_0001 | 0.84375 |
| 0001_0010 | 1.43750 | 0011_0010 | 1.23750 | 0101_0010 | 1.03750 | 0111_0010 | 0.83750 |
| 0001_0011 | 1.43125 | 0011_0011 | 1.23125 | 0101_0011 | 1.03125 | 0111_0011 | 0.83125 |
| 0001_0100 | 1.42500 | 0011_0100 | 1.22500 | 0101_0100 | 1.02500 | 0111_0100 | 0.82500 |
| 0001_0101 | 1.41875 | 0011_0101 | 1.21875 | 0101_0101 | 1.01875 | 0111_0101 | 0.81875 |
| 0001_0110 | 1.41250 | 0011_0110 | 1.21250 | 0101_0110 | 1.01250 | 0111_0110 | 0.81250 |
| 0001_0111 | 1.40625 | 0011_0111 | 1.20625 | 0101_0111 | 1.00625 | 0111_0111 | 0.80625 |
| 0001_1000 | 1.40000 | 0011_1000 | 1.20000 | 0101_1000 | 1.00000 | 0111_1000 | 0.80000 |
| 0001_1001 | 1.39375 | 0011_1001 | 1.19375 | 0101_1001 | 0.99375 | 0111_1001 | 0.79375 |
| 0001_1010 | 1.38750 | 0011_1010 | 1.18750 | 0101_1010 | 0.98750 | 0111_1010 | 0.78750 |
| 0001_1011 | 1.38125 | 0011_1011 | 1.18125 | 0101_1011 | 0.98125 | 0111_1011 | 0.78125 |
| 0001_1100 | 1.37500 | 0011_1100 | 1.17500 | 0101_1100 | 0.97500 | 0111_1100 | 0.77500 |
| 0001_1101 | 1.36875 | 0011_1101 | 1.16875 | 0101_1101 | 0.96875 | 0111_1101 | 0.76875 |
| 0001_1110 | 1.36250 | 0011_1110 | 1.16250 | 0101_1110 | 0.96250 | 0111_1110 | 0.76250 |
| 0001_1111 | 1.35625 | 0011_1111 | 1.15625 | 0101_1111 | 0.95625 | 0111_1111 | 0.75625 |
| 1000_0000 | 0.75000 | 1010_0000 | 0.55000* | 1100_0000 | 0.35000* | 1110_0000 | 0.15000* |
| 1000_0001 | 0.74375 | 1010_0001 | 0.54375* | 1100_0001 | 0.34375* | 1110_0001 | 0.14375* |
| 1000_0010 | 0.73750 | 1010_0010 | 0.53750* | 1100_0010 | 0.33750* | 1110_0010 | 0.13750* |
| 1000_0011 | 0.73125 | 1010_0011 | 0.53125* | 1100_0011 | 0.33125* | 1110_0011 | 0.13125* |
| 1000_0100 | 0.72500 | 1010_0100 | 0.52500* | 1100_0100 | 0.32500* | 1110_0100 | 0.12500* |
| 1000_0101 | 0.71875 | 1010_0101 | 0.51875* | 1100_0101 | 0.31875* | 1110_0101 | 0.11875* |
| 1000_0110 | 0.71250 | 1010_0110 | 0.51250* | 1100_0110 | 0.31250* | 1110_0110 | 0.11250* |
| 1000_0111 | 0.70625 | 1010_0111 | 0.50625* | 1100_0111 | 0.30625* | 1110_0111 | 0.10625* |

TABLE 7. SERIAL VID CODES (Continued)

| SVID[7:0] | VOLTAGE (V) | SVID[6:0] | VOLTAGE (V) | SVID[6:0] | VOLTAGE (V) | SVID[6:0] | VOLTAGE (V) |
|-----------|-------------|-----------|-------------|------------|-------------|-----------|-------------|
| 1000_1000 | 0.70000 | 1010_1000 | 0.50000* | 1100_1000 | 0.30000* | 1110_1000 | 0.10000* |
| 1000_1001 | 0.69375 | 1010_1001 | 0.49375* | 1100_1001 | 0.29375* | 1110_1001 | 0.09375* |
| 1000_1010 | 0.68750 | 1010_1010 | 0.48750* | 1100_1010 | 0.28750* | 1110_1010 | 0.08750* |
| 1000_1011 | 0.68125 | 1010_1011 | 0.48125* | 1100_1011 | 0.28125* | 1110_1011 | 0.08125* |
| 1000_1100 | 0.67500 | 1010_1100 | 0.47500* | 1100_1100 | 0.27500* | 1110_1100 | 0.07500* |
| 1000_1101 | 0.66875 | 1010_1101 | 0.46875* | 1100_1101 | 0.26875* | 1110_1101 | 0.06875* |
| 1000_1110 | 0.66250 | 1010_1110 | 0.46250* | 1100_1110 | 0.26250* | 1110_1110 | 0.06250* |
| 1000_1111 | 0.65625 | 1010_1111 | 0.45625* | 1100_1111 | 0.25625* | 1110_1111 | 0.05625* |
| 1001_0000 | 0.65000 | 1011_0000 | 0.45000* | 1101_0000 | 0.25000* | 1111_0000 | 0.05000* |
| 1001_0001 | 0.64375 | 1011_0001 | 0.44375* | 1101_0001 | 0.24375* | 1111_0001 | 0.04375* |
| 1001_0010 | 0.63750 | 1011_0010 | 0.43750* | 1101_0010 | 0.23750* | 1111_0010 | 0.03750* |
| 1001_0011 | 0.63125 | 1011_0011 | 0.43125* | 1101_0011 | 0.23125* | 1111_0011 | 0.03125* |
| 1001_0100 | 0.62500 | 1011_0100 | 0.42500* | 1101_0100 | 0.22500* | 1111_0100 | 0.02500* |
| 1001_0101 | 0.61875 | 1011_0101 | 0.41875* | 1101_0101 | 0.21875* | 1111_0101 | 0.01875* |
| 1001_0110 | 0.61250 | 1011_0110 | 0.41250* | 1101_0110 | 0.21250* | 1111_0110 | 0.01250* |
| 1001_0111 | 0.60625 | 1011_0111 | 0.40625* | 1101_0111* | 0.20625* | 1111_0111 | 0.00625* |
| 1001_1000 | 0.60000* | 1011_1000 | 0.40000* | 1101_1000 | 0.20000* | 1111_1000 | OFF* |
| 1001_1001 | 0.59375* | 1011_1001 | 0.39375* | 1101_1001 | 0.19375* | 1111_1001 | OFF* |
| 1001_1010 | 0.58750* | 1011_1010 | 0.38750* | 1101_1010 | 0.18750* | 1111_1010 | OFF* |
| 1001_1011 | 0.58125* | 1011_1011 | 0.38125* | 1101_1011 | 0.18125* | 1111_1011 | OFF* |
| 1001_1100 | 0.57500* | 1011_1100 | 0.37500* | 1101_1100 | 0.17500* | 1111_1100 | OFF* |
| 1001_1101 | 0.56875* | 1011_1101 | 0.36875* | 1101_1101 | 0.16875* | 1111_1101 | OFF* |
| 1001_1110 | 0.56250* | 1011_1110 | 0.36250* | 1101_1110 | 0.16250* | 1111_1110 | OFF* |
| 1001_1111 | 0.55625* | 1011_1111 | 0.35625* | 1101_1111 | 0.15625* | 1111_1111 | OFF* |

NOTES:

7. *Indicates a VID not required for AMD Family 10h processors
8. *Loosened AMD requirements at this levels.

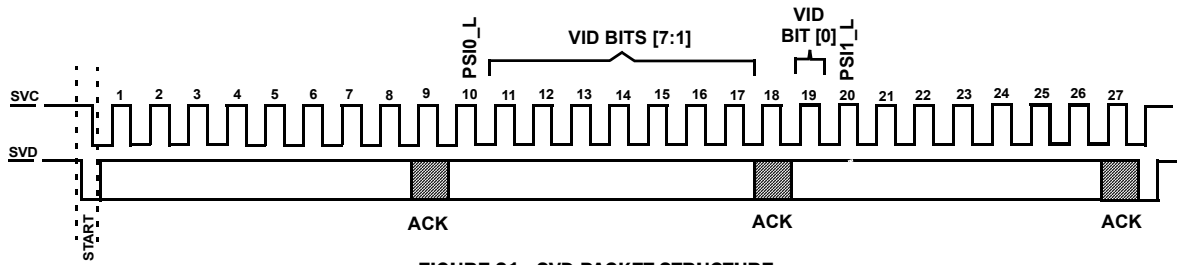


FIGURE 21. SVD PACKET STRUCTURE

SVI Bus Protocol

The AMD processor bus protocol is compliant with SMBus send byte protocol for VID transactions. The AMD SVD packet structure is shown in Figure 21. The description of what each bit of the three bytes that make up the SVI command are shown in Table 8. During a transaction, the processor sends the start sequence followed by each of the three bytes, which end with an optional acknowledge bit. The ISL62773 does not drive the SVD line during the ACK bit. Finally, the processor sends the stop sequence. After the ISL62773 has detected the stop, it can then proceed with the commanded action from the transaction.

TABLE 8. SVD DATA PACKET

| BITS | DESCRIPTION |
|-------|--|
| 1:5 | Always 11000b |
| 6 | Core domain selector bit, if set then the following data byte contains VID, power state, telemetry control, load line trim and offset trim apply to the Core VR. |
| 7 | Northbridge domain selector bit, if set then the following data byte contains VID, power state, telemetry control, load line trim and offset trim apply to the Northbridge VR. |
| 8 | Always 0b |
| 9 | Acknowledge bit |
| 10 | PSIO_L |
| 11:17 | VID code bits [7:1] |
| 18 | Acknowledge Bit |
| 19 | VID code bit [0] |
| 20 | PSI1_L |
| 21 | TFN (telemetry functionality) |
| 22:24 | Load line slope trim |
| 25:26 | Offset trim [1:0] |
| 27 | Acknowledge bit |

Power States and Telemetry

SVI2 defines two power state indicator levels, see Table 9. As processor current consumption is reduced the power state indicator level increases starting with 0.

For the Core VR operating in 3-phase mode, when PSIO_L is asserted Channel 3 is tri-stated to boost efficiency. When PSI1_L is asserted, Channel 2 is tri-stated and Channel 1 enters diode emulation mode to further boost efficiency. In 2-phase mode, when PSIO_L is asserted, Channel 2 is tri-stated. Asserting

PSI1_L in this mode results in Channel 1 entering diode emulation mode.

For the Northbridge VR operating in 2-phase mode, when PSIO_L is asserted Channel 2 is tri-stated to boost efficiency. When PSI1_L is asserted Channel 1 enters diode emulation mode to further boost efficiency.

It is possible for the processor to assert or deassert PSIO_L and PSI1_L out of order. PSIO_L takes priority over PSI1_L. If PSIO_L is deasserted while PSI1_L is still asserted, the ISL62773 will return the selected VR back full channel CCM operation.

TABLE 9. PSIO_L, PSI1_L AND TFN DEFINITION

| FUNCTION | BIT | DESCRIPTION |
|----------|-----|---|
| PSIO_L | 10 | Power State Indicate level 0. When this signal is asserted (active Low) the processor is in a low enough power state for the ISL62773 to take action to boost efficiency by dropping phases. |
| PSI1_L | 20 | Power State Indicate level 1. When this signal is asserted (active Low) the processor is in a low enough power state for the ISL62773 to take additional action to boost efficiency beyond that taken with PSIO_L asserted. |
| TFN | 21 | Telemetry Functionality. This is an active high signal that allows the processor to control the telemetry functionality of the VR. |

The TFN bit along with the Core and Northbridge domain selector bits are used by the processor to change the functionality of telemetry, see Table 10 for more information.

TABLE 10. TFN TRUTH TABLE

| TFN, CORE, NB BITS [21,6,7] | DESCRIPTION |
|-----------------------------|--|
| 1,0,1 | Telemetry is in voltage and current mode. Therefore, voltage and current are sent for VDD and VDDNB domains by the controller. |
| 1,0,0 | Telemetry is in voltage mode only. Only the voltage of VDD and VDDNB domains is sent by the controller. |
| 1,1,0 | Telemetry is disabled. |
| 1,1,1 | Reserved |

Dynamic Load Line Slope Trim

The ISL62773 supports the SVI2 ability for the processor to manipulate the load line slope of the Core and Northbridge VRs independently using the serial VID interface. The slope manipulation applies to the initial load line slope. A load line slope trim will typically coincide with a VOTF change. Refer to [Table 11](#) for more information about the load line slope trim feature of the ISL62773.

TABLE 11. LOAD LINE SLOPE TRIM DEFINITION

| LOAD LINE SLOPE TRIM [2:0] | DESCRIPTION |
|----------------------------|----------------|
| 000 | Disable LL |
| 001 | -40% mΩ Change |
| 010 | -20% mΩ Change |
| 011 | No change |
| 100 | +20% mΩ Change |
| 101 | +40% mΩ Change |
| 110 | +60% mΩ Change |
| 111 | +80% mΩ Change |

Dynamic Offset Trim

The ISL62773 supports the SVI2 ability for the processor to manipulate the output voltage offset of the Core and Northbridge VRs. This offset is in addition to any output voltage offset set via the COMP resistor reader. The dynamic offset trim can disable the COMP resistor programmed offset of either output when Disable All Offset is selected.

TABLE 12. OFFSET TRIM DEFINITION

| OFFSET TRIM [1:0] | DESCRIPTION |
|-------------------|--------------------|
| 00 | Disable All Offset |
| 01 | -25mV Change |
| 10 | 0mV Change |
| 11 | +25mV Change |

Protection Features

Core VR and Northbridge VR both provide overcurrent, current-balance, undervoltage and overvoltage fault protections. The controller also provides over-temperature protection. The following discussion is based on Core VR and also applies to the Northbridge VR.

Overcurrent

Overcurrent protection is triggered when the voltage across the IMON resistor is 1.5V. Within 2μs of detecting the IMON voltage, the controller asserts VR_HOT_L low to communicate to the AMD CPU to throttle back. A fault timer begins counting while IMON is at or above the 1.5V threshold. The fault timer lasts 7.5μs to 11μs and then flags an OCP fault. The controller then tri-states the active channels and goes into shutdown. PGOOD is taken low and a fault flag from this VR is sent to the other VR and it is shut down within 10μs. If the IMON voltage drops below the 1.5V threshold

prior to the fault timer count finishing, the fault timer is cleared and VR_HOT_L is taken high.

The ISL62773 also features a Way-Overcurrent [WOC] feature, which immediately takes the controller into shutdown. This protection is also referred to as fast overcurrent protection for short-circuit protection. If the IMON current reaches 15μA, WOC is triggered. Active channels are tri-stated and the controller is placed in shutdown and PGOOD is pulled low. There is no fault timer on the WOC fault, the controller takes immediate action. The other controller output is also shut down within 10μs.

Designing the current feedback components and setting the OCP level require knowing the $I_{DDSpikes}$ value (EDC) outlined for the AMD CPU under consideration. AMD specifications will outline a TDC current level and an EDC current level for each CPU. The EDC current is the maximum current the CPU can demand for a short, thermally insignificant time. When selecting the components for the current feedback design or using an Intersil design spreadsheet, the EDC current is used as the full load current. The reasoning is that the AMD CPU will view reaching the EDC current as 100% loading. The desired droop current at full load must be set to 45μA. The controller generates a current across the IMON resistor that is 3/4 of the average value of the I_{sum} current. The droop current is 5/4 greater than the I_{sum} current, so for a droop current of 45μA the I_{sum} current is 36μA. The recommended IMON resistor value is 133kΩ, 1% tolerance. At full load current, EDC level, the resulting IMON voltage will be 1.2V and telemetry will report 100%. If the load current continues to increase, then the IMON voltage will continue to rise, but the telemetry will still report 100% loading. Once the I_{sum} current reaches 45μA, the corresponding current out of the IMON pin is 11.25μA and the voltage on the IMON resistor will be 1.5V and the controller will report an OC trip. The load current at this point is 25% higher than the EDC current used for setting full load droop current. This additional margin allows the AMD CPU to enter and exit the $I_{DDSpikes}$ performance mode without issue unless the load current is out of line with the $I_{DDSpikes}$ expectation.

Current-Balance

The controller monitors the ISENx pin voltages to determine current-balance protection. If the ISENx pin voltage difference is greater than 9mV for 1ms, the controller will declare a fault and latch off.

Undervoltage

If the VSEN voltage falls below the output voltage VID value plus any programmed offsets by -325mV, the controller declares an undervoltage fault. The controller deasserts PGOOD and tri-states the power MOSFETs.

Overvoltage

If the VSEN voltage exceeds the output voltage VID value plus any programmed offsets by +325mV, the controller declares an overvoltage fault. The controller deasserts PGOOD and turns on the low-side power MOSFETs. The low-side power MOSFETs remain on until the output voltage is pulled down below the VID set value. Once the output voltage is below this level, the lower gate is tri-stated. If the output voltage rises above the overvoltage threshold again, the protection process is repeated when all power MOSFETs are turned off. This behavior provides the maximum amount of protection

against shorted high-side power MOSFETs while preventing output ringing below ground.

Thermal Monitor [NTC, NTC_NB]

The ISL62773 features two thermal monitors, which use an external resistor network that includes an NTC thermistor to monitor motherboard temperature and alert the AMD CPU of a thermal issue. Figure 22 shows the basic thermal monitor circuit on the Core VR NTC pin. The Northbridge VR features the same thermal monitor. The controller drives a 30µA current out of the NTC pin and monitors the voltage at the pin. The current flowing out of the NTC pin creates a voltage that is compared to a warning threshold of 640mV. When the voltage at the NTC pin falls to this warning threshold or below, the controller asserts VR_HOT_L to alert the AMD CPU to throttle back load current to stabilize the motherboard temperature. A thermal fault counter begins counting toward a minimum shutdown time of 100µs. The thermal fault counter is an up/down counter, so if the voltage at the NTC pin rises above the warning threshold, it will count down and extend the time for a thermal fault to occur. The warning threshold does have 20mV of hysteresis.

If the voltage at the NTC pin continues to fall down to the shutdown threshold of 580mV or below, the controller goes into shutdown and triggers a thermal fault. The PGOOD pin is pulled low and tri-states the power MOSFETs. A fault on either side will shutdown both VRs.

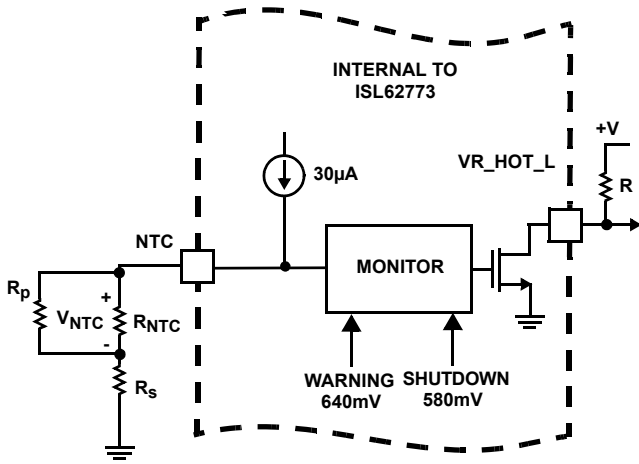


FIGURE 22. CIRCUITRY ASSOCIATED WITH THE THERMAL MONITOR FEATURE OF THE ISL62773

As the board temperature rises, the NTC thermistor resistance decreases and the voltage at the NTC pin drops. When the voltage on the NTC pin drops below the over-temperature trip threshold, then VR_HOT is pulled low. The VR_HOT signal is used to change the CPU operation and decrease power consumption. With the reduction in power consumption by the CPU, the board temperature decreases and the NTC thermistor voltage rises. Once the over-temperature threshold is tripped and VR_HOT is taken low, the over-temperature threshold changes to the reset level. The addition of hysteresis to the over-temperature threshold prevents nuisance trips. Once both pin voltages exceed the over-temperature reset threshold, the pull-down on VR_HOT is released. The signal changes state and the CPU resumes

normal operation. The over-temperature threshold returns to the trip level.

Table 13 summarizes the fault protections.

TABLE 13. FAULT PROTECTION SUMMARY

| FAULT TYPE | FAULT DURATION BEFORE PROTECTION | PROTECTION ACTION | FAULT RESET |
|--------------------------|----------------------------------|--|-----------------------------|
| Overcurrent | 7.5µs to 11.5µs | PWM tri-state, PGOOD latched low | ENABLE toggle or VDD toggle |
| Phase Current Unbalance | 1ms | | |
| Way-Overcurrent (1.5xOC) | | | |
| Undervoltage -325mV | Immediately | PGOOD latched low. PWM tri-state. | ENABLE toggle or VDD toggle |
| Overvoltage +325mV | | PGOOD latched low. Actively pulls the output voltage to below VID value, then tri-state. | |
| NTC Thermal | 100µs min | PGOOD latched low. PWM tri-state. | |

Fault Recovery

All of the previously described fault conditions can be reset by bringing ENABLE low or by bringing VDD below the POR threshold. When ENABLE and VDD return to their high operating levels, the controller resets the faults and soft-start occurs.

Interface Pin Protection

The SVC and SVD pins feature protection diodes which must be considered when removing power to VDD and VDDIO, but leaving it applied to these pins. Figure 23 shows the basic protection on the pins. If SVC and/or SVD are powered but VDD is not, leakage current will flow from these pins to VDD.

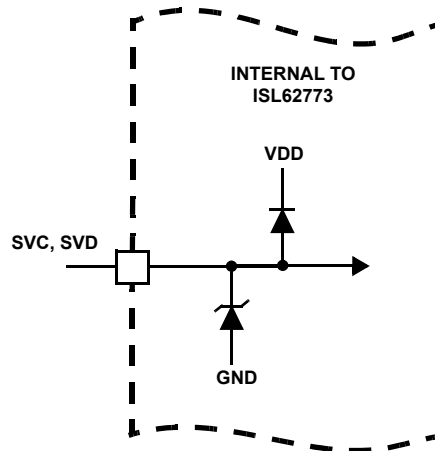


FIGURE 23. PROTECTION DEVICES ON THE SVC AND SVD PINS

Key Component Selection

Inductor DCR Current-Sensing Network

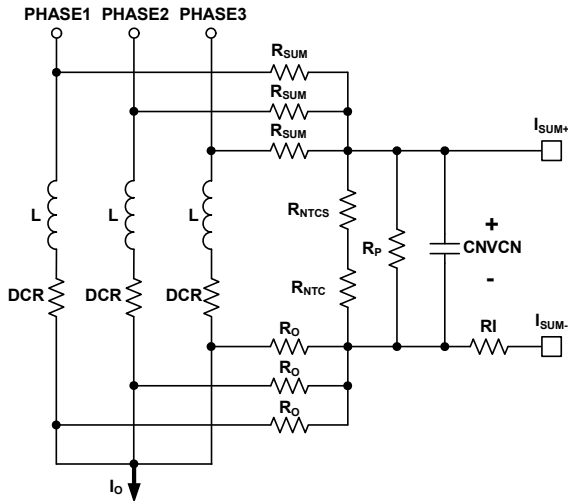


FIGURE 24. DCR CURRENT-SENSING NETWORK

Figure 24 shows the inductor DCR current-sensing network for a 3-phase solution. An inductor current flows through the DCR and creates a voltage drop. Each inductor has two resistors in R_{SUM} and R_O connected to the pads to accurately sense the inductor current by sensing the DCR voltage drop. The R_{SUM} and R_O resistors are connected in a summing network as shown and feed the total current information to the NTC network (consisting of R_{NTCS} , R_{NTC} and R_P) and capacitor C_n . R_{NTC} is a negative temperature coefficient (NTC) thermistor, used to temperature compensate the inductor DCR change.

The inductor output side pads are electrically shorted in the schematic but have some parasitic impedance in actual board layout, which is why one cannot simply short them together for the current-sensing summing network. It is recommended to use 1Ω – 10Ω R_O to create quality signals. Since R_O value is much smaller than the rest of the current sensing circuit, the following analysis ignores it.

The summed inductor current information is presented to the capacitor C_n . Equations 17 through 21 describe the frequency domain relationship between inductor total current $I_O(s)$ and C_n voltage $V_{CN}(s)$:

$$V_{CN}(s) = \left(\frac{R_{ntcnet}}{R_{ntcnet} + \frac{R_{sum}}{N}} \times \frac{DCR}{N} \right) \times I_O(s) \times A_{CS}(s) \quad (EQ. 17)$$

$$R_{ntcnet} = \frac{(R_{ntcs} + R_{ntc}) \times R_p}{R_{ntcs} + R_{ntc} + R_p} \quad (EQ. 18)$$

$$A_{CS}(s) = \frac{1 + \frac{s}{\omega_L}}{1 + \frac{s}{\omega_{sns}}} \quad (EQ. 19)$$

Where N is the number of phases.

$$\omega_L = \frac{DCR}{L} \quad (EQ. 20)$$

$$\omega_{sns} = \frac{1}{R_{ntcnet} \times \frac{R_{sum}}{N} \times C_n} \times \frac{R_{sum}}{R_{ntcnet} + \frac{R_{sum}}{N}} \quad (EQ. 21)$$

Transfer function $A_{CS}(s)$ always has unity gain at DC. The inductor DCR value increases as the winding temperature increases, giving higher reading of the inductor DC current. The NTC R_{ntc} value decrease as its temperature decreases. Proper selection of R_{SUM} , R_{ntcs} , R_p and R_{ntc} parameters ensures that V_{CN} represents the inductor total DC current over the temperature range of interest.

There are many sets of parameters that can properly temperature-compensate the DCR change. Since the NTC network and the R_{SUM} resistors form a voltage divider, V_{CN} is always a fraction of the inductor DCR voltage. It is recommended to have a higher ratio of V_{CN} to the inductor DCR voltage so the droop circuit has a higher signal level to work with.

A typical set of parameters that provide good temperature compensation are: $R_{SUM} = 3.65k\Omega$, $R_p = 11k\Omega$, $R_{ntcs} = 2.61k\Omega$ and $R_{ntc} = 10k\Omega$ (ERT-J1VR103J). The NTC network parameters may need to be fine tuned on actual boards. One can apply full load DC current and record the output voltage reading immediately; then record the output voltage reading again when the board has reached the thermal steady state. A good NTC network can limit the output voltage drift to within 2mV. It is recommended to follow the Intersil evaluation board layout and current sensing network parameters to minimize engineering time.

$V_{CN}(s)$ also needs to represent real-time $I_O(s)$ for the controller to achieve good transient response. Transfer function $A_{CS}(s)$ has a pole ω_{sns} and a zero ω_L . One needs to match ω_L and ω_{sns} so $A_{CS}(s)$ is unity gain at all frequencies. By forcing ω_L equal to ω_{sns} and solving for the solution, Equation 22 gives C_n value.

$$C_n = \frac{L}{R_{ntcnet} \times \frac{R_{sum}}{N} \times DCR} \times \frac{R_{sum}}{R_{ntcnet} + \frac{R_{sum}}{N}} \quad (EQ. 22)$$

For example, given $N = 3$, $R_{SUM} = 3.65k\Omega$, $R_p = 11k\Omega$, $R_{ntcs} = 2.61k\Omega$, $R_{ntc} = 10k\Omega$, $DCR = 0.88m\Omega$ and $L = 0.36\mu H$, Equation 22 gives $C_n = 0.406\mu F$.

Assuming the compensator design is correct, Figure 25 shows the expected load transient response waveforms if C_n is correctly selected. When the load current I_{CORE} has a square change, the output voltage V_{CORE} also has a square response.

If C_n value is too large or too small, $V_{CN}(s)$ does not accurately represent real-time $I_O(s)$ and worsens the transient response. Figure 26 shows the load transient response when C_n is too small. V_{CORE} sags excessively upon load insertion and may create a system failure. Figure 27 shows the transient response when C_n is too large. V_{CORE} is sluggish in drooping to its final value.

There is excessive overshoot if load insertion occurs during this time, which may negatively affect the CPU reliability.

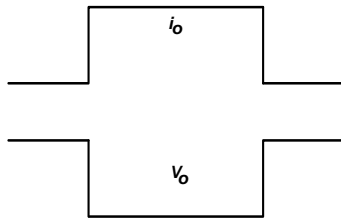


FIGURE 25. DESIRED LOAD TRANSIENT RESPONSE WAVEFORMS

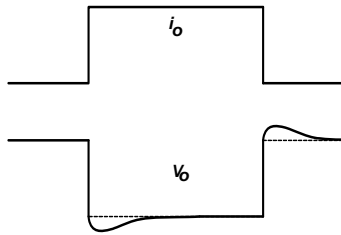


FIGURE 26. LOAD TRANSIENT RESPONSE WHEN C_n IS TOO SMALL

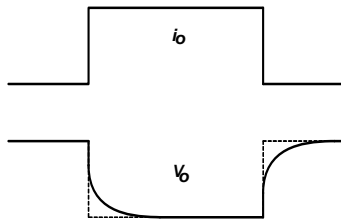


FIGURE 27. LOAD TRANSIENT RESPONSE WHEN C_n IS TOO LARGE

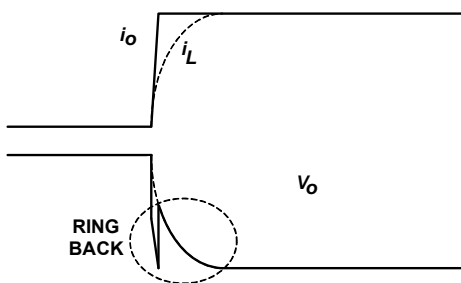


FIGURE 28. OUTPUT VOLTAGE RINGBACK PROBLEM

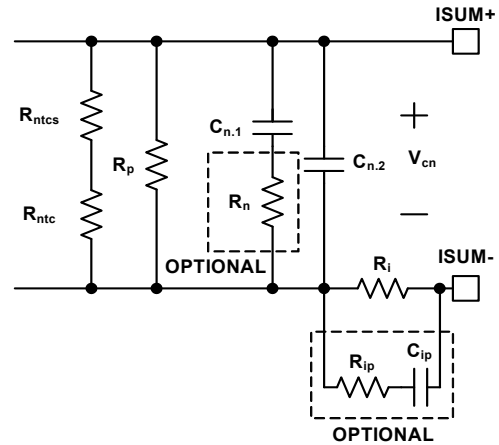


FIGURE 29. OPTIONAL CIRCUITS FOR RINGBACK REDUCTION

Figure 28 shows the output voltage ringback problem during load transient response. The load current i_o has a fast step change, but the inductor current i_L cannot accurately follow. Instead, i_L responds in first-order system fashion due to the nature of the current loop. The ESR and ESL effect of the output capacitors makes the output voltage V_o dip quickly upon load current change. However, the controller regulates V_o according to the droop current i_{droop} , which is a real-time representation of i_L ; therefore, it pulls V_o back to the level dictated by i_L , causing the ringback problem. This phenomenon is not observed when the output capacitor has very low ESR and ESL, as is the case with all ceramic capacitors.

Figure 29 shows two optional circuits for reduction of the ring-back. C_n is the capacitor used to match the inductor time constant. It usually takes the parallel of two (or more) capacitors to get the desired value. Figure 29 shows that two capacitors ($C_{n,1}$ and $C_{n,2}$) are in parallel. Resistor R_n is an optional component to reduce the V_o ringback. At steady state, $C_{n,1} + C_{n,2}$ provides the desired C_n capacitance. At the beginning of i_o change, the effective capacitance is less because R_n increases the impedance of the $C_{n,1}$ branch. As Figure 26 shows, V_o tends to dip when C_n is too small and this effect reduces the V_o ring-back. This effect is more pronounced when $C_{n,1}$ is much larger than $C_{n,2}$. It is also more pronounced when R_n is bigger. However, the presence of R_n increases the ripple of the V_n signal if $C_{n,2}$ is too small. It is recommended to keep $C_{n,2}$ greater than 2200pF. The R_n value usually is a few ohms. $C_{n,1}$, $C_{n,2}$ and R_n values should be determined through tuning the load transient response waveforms on an actual board.

R_{ip} and C_{ip} form an R-C branch in parallel with R_i , providing a lower impedance path than R_i at the beginning of i_o change. R_{ip} and C_{ip} do not have any effect at steady state. Through proper selection of R_{ip} and C_{ip} values, i_{droop} can resemble i_o rather than i_L and V_o will not ring back. The recommended value for R_{ip} is 100Ω. C_{ip} should be determined through tuning the load transient response waveforms on an actual board. The recommended range for C_{ip} is 100pF~2000pF. However, it should be noted that the R_{ip} - C_{ip} branch may distort the i_{droop} waveform. Instead of being triangular as the real inductor current, i_{droop} may have sharp spikes, which may adversely affect i_{droop} average value detection and therefore may affect OCP accuracy. User discretion is advised.

Resistor Current-Sensing Network

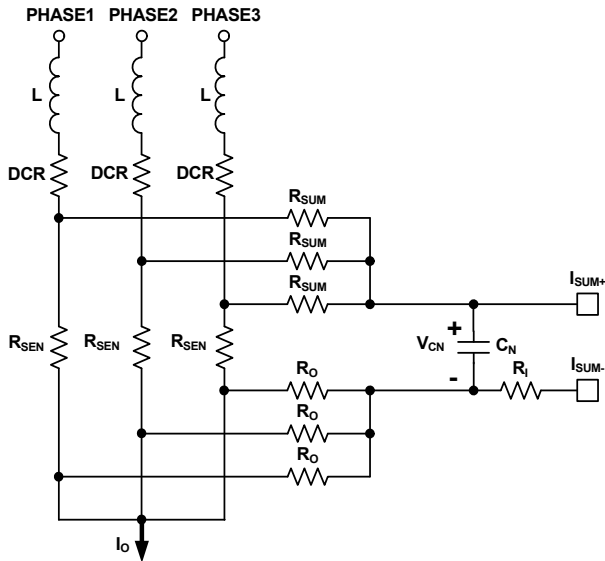


FIGURE 30. RESISTOR CURRENT-SENSING NETWORK

Figure 30 shows the resistor current-sensing network for a 3-phase solution. Each inductor has a series current sensing resistor, R_{sen} . R_{sum} and R_o are connected to the R_{sen} pads to accurately capture the inductor current information. The R_{sum} and R_o resistors are connected to capacitor C_n . R_{sum} and C_n form a filter for noise attenuation. Equations 23 through 25 give the $V_{Cn}(s)$ expression.

$$V_{Cn}(s) = \frac{R_{sen}}{N} \times I_o(s) \times A_{R_{sen}}(s) \quad (EQ. 23)$$

$$A_{R_{sen}}(s) = \frac{1}{1 + \frac{s}{\omega_{sns}}} \quad (EQ. 24)$$

$$\omega_{R_{sen}} = \frac{1}{\frac{R_{sum}}{N} \times C_n} \quad (EQ. 25)$$

Transfer function $A_{R_{sen}}(s)$ always has unity gain at DC. Current-sensing resistor R_{sen} value does not have significant variation over-temperature, so there is no need for the NTC network.

The recommended values are $R_{sum} = 1k\Omega$ and $C_n = 5600pF$.

Overcurrent Protection

Refer to Equation 1 on page 17 and Figures 24, 28 and 30; resistor R_i sets the droop current, I_{droop} . Tables 1 and 2 on page 19 show the internal OCP threshold. It is recommended to design I_{droop} without using the R_{comp} resistor.

For example, the OCP threshold is 1.5V on the IMON pin. This translates to $45\mu A$ of I_{sum} current or $56.25\mu A$ of droop current. I_{droop} is designed to be $45\mu A$ at full load, so the OCP trip level is 1.25x of the full load current.

For inductor DCR sensing, Equation 26 gives the DC relationship of $V_{Cn}(s)$ and $I_o(s)$:

$$V_{Cn} = \left(\frac{R_{ntcnet}}{R_{ntcnet} + \frac{R_{sum}}{N}} \times \frac{DCR}{N} \right) \times I_o \quad (EQ. 26)$$

Substitution of Equation 26 into Equation 1 gives Equation 27:

$$I_{droop} = \frac{1}{R_i} \times \frac{R_{ntcnet}}{R_{ntcnet} + \frac{R_{sum}}{N}} \times \frac{DCR}{N} \times I_o \quad (EQ. 27)$$

Therefore:

$$R_i = \frac{R_{ntcnet} \times DCR \times I_o}{N \times \left(R_{ntcnet} + \frac{R_{sum}}{N} \right) \times I_{droop}} \quad (EQ. 28)$$

Substitution of Equation 18 and application of the OCP condition in Equation 28 gives Equation 29:

$$R_i = \frac{\frac{(R_{ntcs} + R_{ntc}) \times R_p}{R_{ntcs} + R_{ntc} + R_p} \times DCR \times I_{omax}}{N \times \left(\frac{(R_{ntcs} + R_{ntc}) \times R_p}{R_{ntcs} + R_{ntc} + R_p} + \frac{R_{sum}}{N} \right) \times I_{droopmax}} \quad (EQ. 29)$$

Where I_{omax} is the full load current and $I_{droopmax}$ is the corresponding droop current. For example, given $N = 3$, $R_{sum} = 3.65k\Omega$, $R_p = 11k\Omega$, $R_{ntcs} = 2.61k\Omega$, $R_{ntc} = 10k\Omega$, $DCR = 0.9m\Omega$, $I_{omax} = 65A$ and $I_{droopmax} = 45\mu A$. Equation 29 gives $R_i = 359\Omega$.

For resistor sensing, Equation 30 gives the DC relationship of $V_{Cn}(s)$ and $I_o(s)$.

$$V_{Cn} = \frac{R_{sen}}{N} \times I_o \quad (EQ. 30)$$

Substitution of Equation 30 into Equation 1 gives Equation 31:

$$I_{droop} = \frac{1}{R_i} \times \frac{R_{sen}}{N} \times I_o \quad (EQ. 31)$$

Therefore:

$$R_i = \frac{R_{sen} \times I_o}{N \times I_{droop}} \quad (EQ. 32)$$

Substitution of Equation 32 and application of the OCP condition in Equation 28 gives Equation 33:

$$R_i = \frac{R_{sen} \times I_{omax}}{N \times I_{droopmax}} \quad (EQ. 33)$$

Where I_{omax} is the full load current and $I_{droopmax}$ is the corresponding droop current. For example, given $N = 3$, $R_{sen} = 1m\Omega$, $I_{omax} = 65A$ and $I_{droopmax} = 45\mu A$, Equation 33 gives $R_i = 481\Omega$.

Load Line Slope

See Figure 16 for load line implementation.

For inductor DCR sensing, substitution of Equation 27 into Equation 2 gives the load line slope expression in Equation 34:

$$LL = \frac{V_{droop}}{I_o} = \frac{R_{droop}}{R_i} \times \frac{R_{ntcnet}}{R_{ntcnet} + \frac{R_{sum}}{N}} \times \frac{DCR}{N} \quad (EQ. 34)$$

For resistor sensing, substitution of Equation 31 into Equation 2 gives the load line slope expression in Equation 35:

$$LL = \frac{V_{droop}}{I_o} = \frac{R_{sen} \times R_{droop}}{N \times R_i} \quad (EQ. 35)$$

Substitution of Equation 28 and rewriting Equation 34, or substitution of Equation 32 and rewriting Equation 35, gives the same result as in Equation 36:

$$R_{\text{droop}} = \frac{I_o}{I_{\text{droop}}} \times LL \tag{EQ. 36}$$

One can use the full-load condition to calculate R_{droop} . For example, given $I_{\text{Omax}} = 65\text{A}$, $I_{\text{droopmax}} = 45\mu\text{A}$ and $LL = 2.1\text{m}\Omega$, Equation 36 gives $R_{\text{droop}} = 3.03\text{k}\Omega$.

It is recommended to start with the R_{droop} value calculated by Equation 36 and fine-tune it on the actual board to get accurate load line slope. One should record the output voltage readings at no load and at full load for load line slope calculation. Reading the output voltage at lighter load instead of full load will increase the measurement error.

Compensator

Figure 25 on page 29 shows the desired load transient response waveforms. Figure 31 shows the equivalent circuit of a voltage regulator (VR) with the droop function. A VR is equivalent to a voltage source (= VID) and output impedance $Z_{\text{out}}(s)$. If $Z_{\text{out}}(s)$ is equal to the load line slope LL, i.e., a constant output impedance, then in the entire frequency range, V_o will have a square response when I_o has a square change.

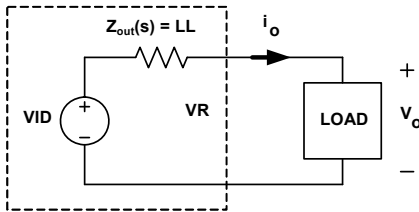


FIGURE 31. VOLTAGE REGULATOR EQUIVALENT CIRCUIT

Intersil provides a Microsoft Excel-based spreadsheet to help design the compensator and the current sensing network so that VR achieves constant output impedance as a stable system.

A VR with active droop function is a dual-loop system consisting of a voltage loop and a droop loop, which is a current loop. However, neither loop alone is sufficient to describe the entire system. The spreadsheet shows two loop gain transfer functions, $T1(s)$ and $T2(s)$, that describe the entire system. Figure 32 conceptually shows $T1(s)$ measurement setup and Figure 33 conceptually shows $T2(s)$ measurement setup. The VR senses the inductor current, multiplies it by a gain of the load line slope, adds it on top of the sensed output voltage and then feeds it to the compensator. $T1$ is measured after the summing node and $T2$ is measured in the voltage loop before the summing node. The spreadsheet gives both $T1(s)$ and $T2(s)$ plots. However, only $T2(s)$ can actually be measured on an ISL62773 regulator.

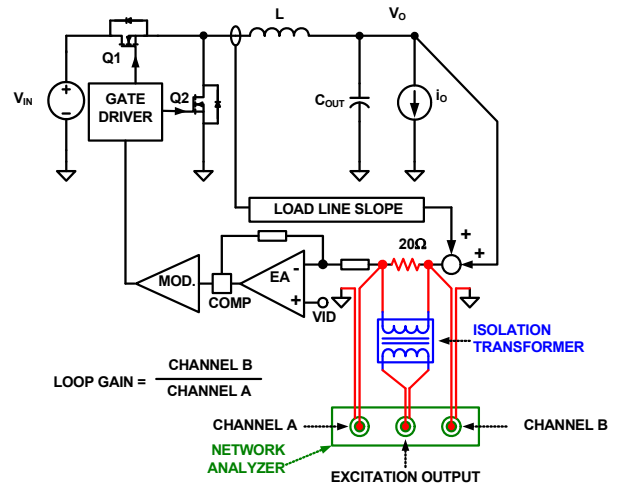


FIGURE 32. LOOP GAIN $T1(s)$ MEASUREMENT SETUP

$T1(s)$ is the total loop gain of the voltage loop and the droop loop. It always has a higher crossover frequency than $T2(s)$, therefore has a higher impact on system stability.

$T2(s)$ is the voltage loop gain with closed droop loop, thus having a higher impact on output voltage response.

Design the compensator to get stable $T1(s)$ and $T2(s)$ with sufficient phase margin and an output impedance equal to or smaller than the load line slope.

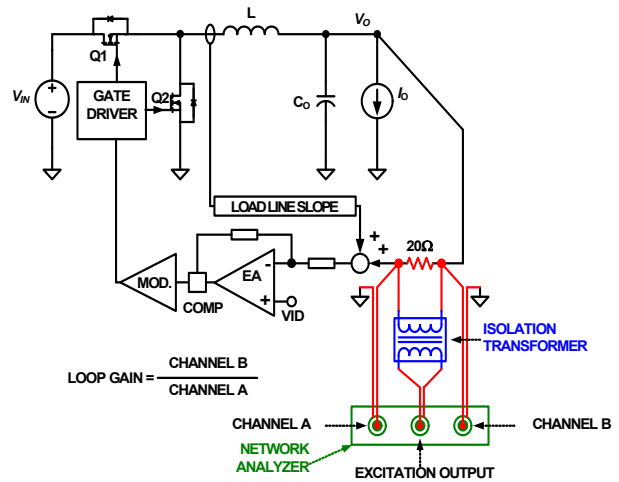


FIGURE 33. LOOP GAIN $T2(s)$ MEASUREMENT SETUP

Current Balancing

Refer to Figures 17 through 24 for information on current balancing. The ISL62773 achieves current balancing through matching the ISEN pin voltages. R_{isen} and C_{isen} form filters to remove the switching ripple of the phase node voltages. It is recommended to use a rather long $R_{\text{isen}}C_{\text{isen}}$ time constant such that the ISEN voltages have minimal ripple and represent the DC current flowing through the inductors. Recommended values are $R_s = 10\text{k}\Omega$ and $C_s = 0.22\mu\text{F}$.

Thermal Monitor Component Selection

The ISL62773 features two pins, NTC and NTC_NB, which are used to monitor motherboard temperature and alert the AMD CPU if a thermal issues arises. The basic function of this circuitry is outlined in the [“Thermal Monitor \[NTC, NTC_NB\]” on page 27](#). [Figure 34](#) shows the basic configuration of the NTC resistor, R_{NTC} and offset resistor, R_S , used to generate the warning and shutdown voltages at the NTC pin.

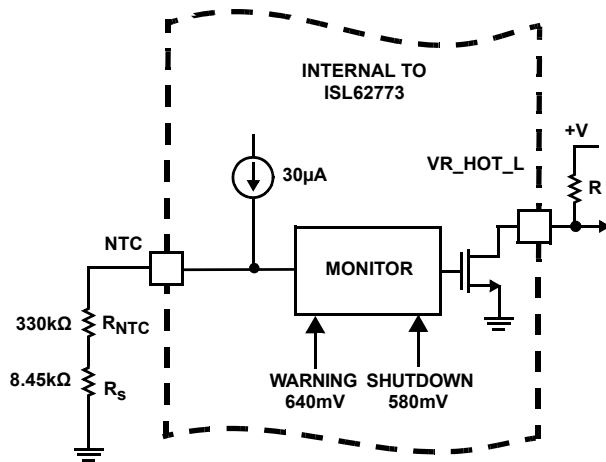


FIGURE 34. THERMAL MONITOR FEATURE OF THE ISL62773

As the board temperature rises, the NTC thermistor resistance decreases and the voltage at the NTC pin drops. When the voltage on the NTC pin drops below the thermal warning threshold of 0.640V, then VR_HOT_L is pulled low. When the AMD CPU detects that VR_HOT_L has gone low, it will begin throttling back load current on both outputs to reduce the board temperature.

If the board temperature continues to rise, the NTC thermistor resistance will drop further and the voltage at the NTC pin could drop below the thermal shutdown threshold of 0.580V. Once this threshold is reached, the ISL62773 shuts down both Core and Northbridge VRs indicating a thermal fault has occurred prior to the thermal fault counter triggering a fault.

Selection of the NTC thermistor can vary depending on how the resistor network is configured. The equivalent resistance at the typical thermal warning threshold voltage of 0.64V is defined in [Equation 37](#).

$$\frac{0.64V}{30\mu A} = 21.3k\Omega \quad (\text{EQ. 37})$$

The equivalent resistance at the typical thermal shutdown threshold voltage of 0.58V required to shutdown both outputs is defined in [Equation 38](#).

$$\frac{0.58V}{30\mu A} = 19.3k\Omega \quad (\text{EQ. 38})$$

The NTC thermistor value correlates to the resistance change between the warning and shutdown thresholds and the required temperature change. If the warning level is designed to occur at a board temperature of +100°C and the thermal shutdown level at a board temperature of +105°C, then the resistance change of the thermistor can be calculated. For example, a Panasonic NTC

thermistor with $B = 4700$ has a resistance ratio of 0.03939 of its nominal value at +100°C and 0.03308 of its nominal value at +105°C. Taking the required resistance change between the thermal warning threshold and the shutdown threshold and dividing it by the change in resistance ratio of the NTC thermistor at the two temperatures of interest, the required resistance of the NTC is defined in [Equation 39](#).

$$\frac{(21.3k\Omega - 19.3k\Omega)}{(0.03939 - 0.03308)} = 317k\Omega \quad (\text{EQ. 39})$$

The closest standard thermistor to the value calculated with $B = 4700$ is 330kΩ. The NTC thermistor part number is ERTJOEV334J. The actual resistance change of this standard thermistor value between the warning threshold and the shutdown threshold is calculated in [Equation 40](#).

$$(330k\Omega \cdot 0.03939) - (330k\Omega \cdot 0.03308) = 2.082k\Omega \quad (\text{EQ. 40})$$

Since the NTC thermistor resistance at +105°C is less than the required resistance from [Equation 38](#), additional resistance in series with the thermistor is required to make up the difference. A standard resistor, 1% tolerance, added in series with the thermistor will increase the voltage seen at the NTC pin. The additional resistance required is calculated in [Equation 41](#).

$$19.3k\Omega - 10.916k\Omega = 8.384k\Omega \quad (\text{EQ. 41})$$

The closest, standard 1% tolerance resistor is 8.45kΩ.

The NTC thermistor is placed in a hot spot on the board, typically near the upper MOSFET of Channel 1 of the respective output. The standard resistor is placed next to the controller.

Layout Guidelines

PCB Layout Considerations

POWER AND SIGNAL LAYERS PLACEMENT ON THE PCB

As a general rule, power layers should be close together, either on the top or bottom of the board, with the weak analog or logic signal layers on the opposite side of the board. The ground-plane layer should be adjacent to the signal layer to provide shielding.

COMPONENT PLACEMENT

There are two sets of critical components in a DC/DC converter; the power components and the small signal components. The power components are the most critical because they switch large amount of energy. The small signal components connect to sensitive nodes or supply critical bypassing current and signal coupling.

The power components should be placed first and these include MOSFETs, input and output capacitors and the inductor. It is important to have a symmetrical layout for each power train, preferably with the controller located equidistant from each power train. Symmetrical layout allows heat to be dissipated equally across all power trains. Keeping the distance between the power train and the control IC short helps keep the gate drive traces short. These drive signals include the LGATE, UGATE, PGND, PHASE and BOOT.

When placing MOSFETs, try to keep the source of the upper MOSFETs and the drain of the lower MOSFETs as close as

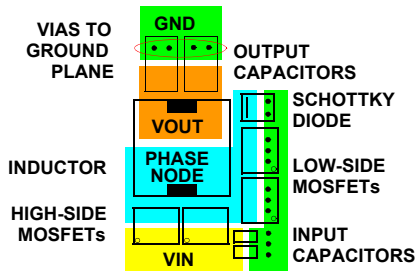


FIGURE 35. TYPICAL POWER COMPONENT PLACEMENT

thermally possible (see Figure 35). Input high-frequency capacitors should be placed close to the drain of the upper MOSFETs and the source of the lower MOSFETs. Place the output inductor and output capacitors between the MOSFETs and the load. High-frequency output decoupling capacitors (ceramic) should be placed as close as possible to the decoupling target (microprocessor), making use of the shortest connection paths to any internal planes. Place the components in such a way that the area under the IC has less noise traces with high dV/dt and di/dt , such as gate signals and phase node signals.

Table 14 shows layout considerations for the ISL62773 controller by pin.

TABLE 14. LAYOUT CONSIDERATIONS FOR THE ISL62773 CONTROLLER

| PIN NUMBER | SYMBOL | LAYOUT GUIDELINES |
|------------|----------|---|
| BOTTOM PAD | GND | Connect this ground pad to the ground plane through a low impedance path. A minimum of 5 vias are recommended to connect this pad to the internal ground plane layers of the PCB |
| 1 | ISEN2_NB | Each ISEN pin has a capacitor (C_{isen}) decoupling it to VSUMN_NB, then through another capacitor (C_{vsumn_nb}) to GND. Place C_{isen} capacitors as close as possible to the controller and keep the following loops small: <ol style="list-style-type: none"> ISEN1_NB pin to ISEN2_NB pin Any ISENx_NB pin to GND |
| 2 | NTC_NB | The NTC thermistor must be placed close to the thermal source that is monitored to determine Northbridge thermal throttling. Placement at the hottest spot of the Northbridge VR is recommended. Additional standard resistors in the resistor network on this pin should be placed near the IC. |
| 3 | IMON_NB | Place the IMON_NB resistor close to this pin and make keep a tight GND connection. |
| 4 | SVC | Use good signal integrity practices and follow AMD recommendations. |
| 5 | VR_HOT_L | Follow AMD recommendations. Placement of the pull-up resistor near the IC is recommended. |
| 6 | SVD | Use good signal integrity practices and follow AMD recommendations. |
| 7 | VDDIO | Use good signal integrity practices and follow AMD recommendations. |
| 8 | SVT | Use good signal integrity practices and follow AMD recommendations. |
| 9 | ENABLE | No special considerations. |
| 10 | PWROK | Use good signal integrity practices and follow AMD recommendations. |
| 11 | IMON | Place the IMON resistor close to this pin and make keep a tight GND connection. |
| 12 | NTC | The NTC thermistor must be placed close to the thermal source that is monitored to determine Core thermal throttling. Placement at the hottest spot of the Core VR is recommended. Additional standard resistors in the resistor network on this pin should be placed near the IC. |

TABLE 14. LAYOUT CONSIDERATIONS FOR THE ISL62773 CONTROLLER (Continued)

| PIN NUMBER | SYMBOL | LAYOUT GUIDELINES |
|------------|--------|--|
| 13 | ISEN3 | <p>Each ISEN pin has a capacitor (C_{isen}) decoupling it to VSUMN and then through another capacitor (C_{vsumn}) to GND. Place Cisen capacitors as close as possible to the controller and keep the following loops small:</p> <ol style="list-style-type: none"> Any ISEN pin to another ISEN pin Any ISEN pin to GND <p>The red traces in the following drawing show the loops to be minimized.</p> |
| 14 | ISEN2 | |
| 15 | ISEN1 | |
| | | |
| 16 | ISUMP | Place the current sensing circuit in general proximity of the controller. |
| 17 | ISUMN | <p>Place capacitor Cn very close to the controller.</p> <p>Place the NTC thermistor next to Core VR Channel 1 inductor so it senses the inductor temperature correctly. Each phase of the power stage sends a pair of VSUMP and VSUMN signals to the controller. Run these two signals traces in parallel fashion with decent width (>20mil).</p> <p>IMPORTANT: Sense the inductor current by routing the sensing circuit to the inductor pads. If possible, route the traces on a different layer from the inductor pad layer and use vias to connect the traces to the center of the pads. If no via is allowed on the pad, consider routing the traces into the pads from the inside of the inductor. The following drawings show the two preferred ways of routing current sensing traces.</p> <div style="display: flex; justify-content: space-around; align-items: center;"> <div style="text-align: center;"> <p>CURRENT-SENSING TRACES</p> </div> <div style="text-align: center;"> <p>CURRENT-SENSING TRACES</p> </div> </div> |
| 18 | VSEN | Place the filter on these pins in close proximity to the controller for good coupling. |
| 19 | RTN | |
| 20 | FB2 | |
| 21 | FB | |
| 22 | COMP | |
| 23 | PGOOD | No special consideration. |
| 24 | BOOT1 | Use a wide trace width (>30mil). Avoid routing any sensitive analog signal traces close to or crossing over this trace. |
| 25 | UGATE1 | These two signals should be routed together in parallel. Each trace should have sufficient width (>30mil). Avoid routing these signals near sensitive analog signal traces or crossing over them. Routing PHASE1 to the Core VR Channel 1 high-side MOSFET source pin instead of a general connection to PHASE1 copper is recommended for better performance. |
| 26 | PHASE1 | |

TABLE 14. LAYOUT CONSIDERATIONS FOR THE ISL62773 CONTROLLER (Continued)

| PIN NUMBER | SYMBOL | LAYOUT GUIDELINES |
|------------|----------|--|
| 27 | LGATE1 | Use sufficient trace width (>30mil). Avoid routing this signal near any sensitive analog signal traces or crossing over them. |
| 28 | PWM_Y | No special considerations. |
| 29 | VDD | A high quality, X7R dielectric MLCC capacitor is recommended to decouple this pin to GND. Place the capacitor in close proximity to the pin with the filter resistor nearby the IC. |
| 30 | VDDP | A high quality, X7R dielectric MLCC capacitor is recommended to decouple this pin to GND. Place the capacitor in close proximity to the pin. |
| 31 | LGATE2 | Use sufficient trace width (>30mil). Avoid routing this signal near any sensitive analog signal traces or crossing over them. |
| 32 | PHASE2 | These two signals should be routed together in parallel. Each trace should have sufficient width (>30mil). Avoid routing these signals near sensitive analog signal traces or crossing over them. Routing PHASE2 to the Core VR Channel 2 high-side MOSFET source pin instead of a general connection to PHASE2 copper is recommended for better performance. |
| 33 | UGATE2 | |
| 34 | BOOT2 | Use a wide trace width (>30mil). Avoid routing any sensitive analog signal traces close to or crossing over this trace. |
| 35 | VIN | Place the decoupling capacitor in close proximity to the pin with a short connection to the internal GND plane. |
| 36 | BOOTX | Use a wide trace width (>30mil). Avoid routing any sensitive analog signal traces close to or crossing over this trace. |
| 37 | UGATEX | These two signals should be routed together in parallel. Each trace should have sufficient width (>30mil). Avoid routing these signals near sensitive analog signal traces or crossing over them. Routing PHASEX to the high-side MOSFET source pin instead of a general connection to the PHASEX copper is recommended for better performance. |
| 38 | PHASEX | |
| 39 | LGATEX | Use sufficient trace width (>30mil). Avoid routing this signal near any sensitive analog signal traces or crossing over them. |
| 40 | PWM2_NB | No special considerations. |
| 41 | FCCM_NB | |
| 42 | PGOOD_NB | No special consideration. |
| 43 | COMP_NB | Place the compensation components in general proximity of the controller. |
| 44 | FB_NB | |
| 45 | VSEN_NB | Place the filter on this pin in close proximity to the controller for good coupling. |
| 46 | ISUMN_NB | Place the current sensing circuit in general proximity of the controller. Place capacitor Cn very close to the controller. |
| 47 | ISUMP_NB | Place the NTC thermistor next to Core VR Channel 1 inductor so it senses the inductor temperature correctly. Each phase of the power stage sends a pair of VSUMP and VSUMN signals to the controller. Run these two signals traces in parallel fashion with decent width (>20mil). IMPORTANT: Sense the inductor current by routing the sensing circuit to the inductor pads. If possible, route the traces on a different layer from the inductor pad layer and use vias to connect the traces to the center of the pads. If no via is allowed on the pad, consider routing the traces into the pads from the inside of the inductor. The following drawings show the two preferred ways of routing current sensing traces. |
| | | <p>The diagrams illustrate two preferred methods for routing current-sensing traces to an inductor. The left diagram shows two red traces with vias connecting to the center of two blue inductor pads. The right diagram shows two red traces connecting to the inner edges of two red inductor pads.</p> |
| 48 | ISEN1_NB | |

Revision History

The revision history provided is for informational purposes only and is believed to be accurate, but not warranted. Please go to web to make sure you have the latest revision.

| DATE | REVISION | CHANGE |
|-------------------|----------|---|
| December 16, 2015 | FN8263.1 | On page 1 under Features, added "Serial VID clock frequency range 100kHz to 25MHz" below "Supports AMD SVI 2.0 serial data bus interface". Updated Products section to About Intersil content. |
| March 7, 2012 | FN8263.0 | Initial Release |

About Intersil

Intersil Corporation is a leading provider of innovative power management and precision analog solutions. The company's products address some of the largest markets within the industrial and infrastructure, mobile computing and high-end consumer markets.

For the most updated datasheet, application notes, related documentation and related parts, please see the respective product information page found at www.intersil.com.

You may report errors or suggestions for improving this datasheet by visiting www.intersil.com/ask.

Reliability reports are also available from our website at www.intersil.com/support.

© Copyright Intersil Americas LLC 2012-2015. All Rights Reserved.
All trademarks and registered trademarks are the property of their respective owners.

For additional products, see www.intersil.com/en/products.html

Intersil products are manufactured, assembled and tested utilizing ISO9001 quality systems as noted in the quality certifications found at www.intersil.com/en/support/qualandreliability.html

Intersil products are sold by description only. Intersil may modify the circuit design and/or specifications of products at any time without notice, provided that such modification does not, in Intersil's sole judgment, affect the form, fit or function of the product. Accordingly, the reader is cautioned to verify that datasheets are current before placing orders. Information furnished by Intersil is believed to be accurate and reliable. However, no responsibility is assumed by Intersil or its subsidiaries for its use; nor for any infringements of patents or other rights of third parties which may result from its use. No license is granted by implication or otherwise under any patent or patent rights of Intersil or its subsidiaries.

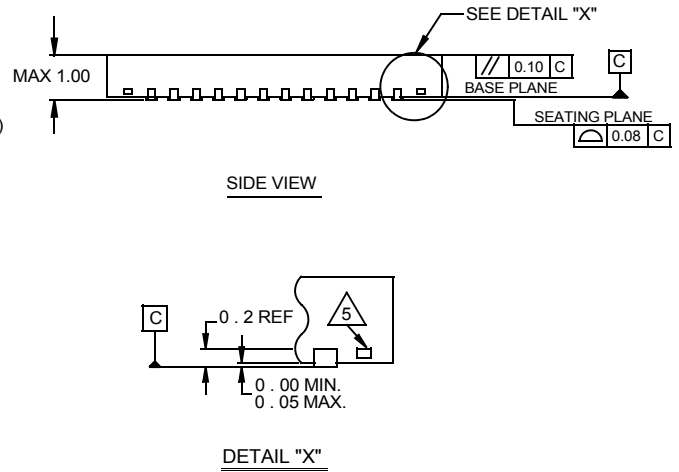
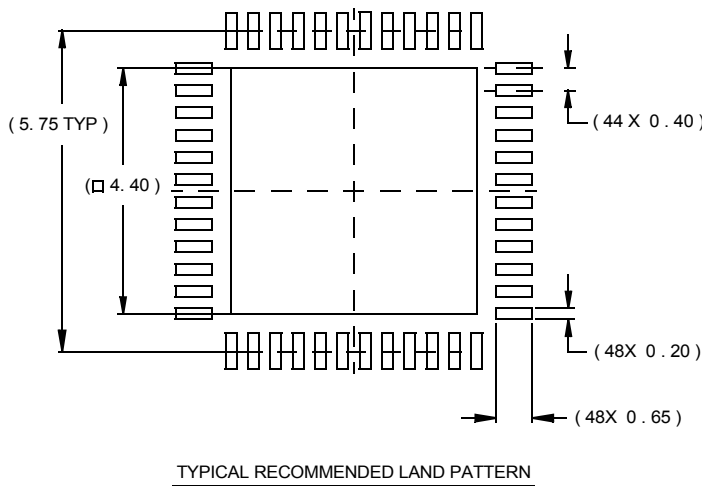
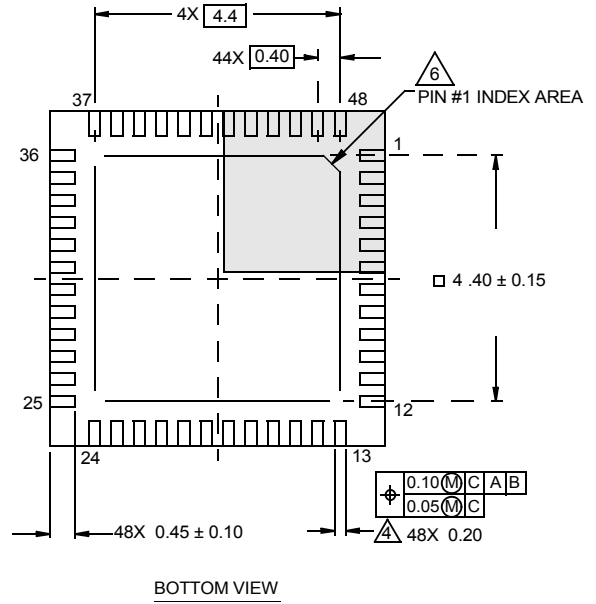
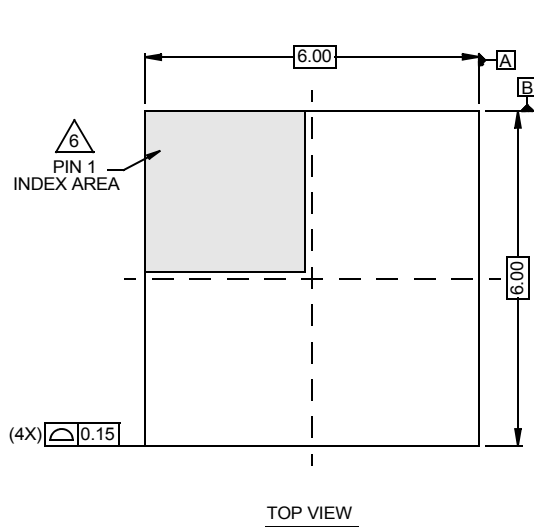
For information regarding Intersil Corporation and its products, see www.intersil.com

Package Outline Drawing

L48.6x6B

48 LEAD QUAD FLAT NO-LEAD PLASTIC PACKAGE

Rev 0, 9/09



NOTES:

1. Dimensions are in millimeters.
Dimensions in () for Reference Only.
2. Dimensioning and tolerancing conform to AMSE Y14.5m-1994.
3. Unless otherwise specified, tolerance : Decimal ± 0.05
4. Dimension applies to the metallized terminal and is measured between 0.15mm and 0.30mm from the terminal tip.
5. Tiebar shown (if present) is a non-functional feature.
6. The configuration of the pin #1 identifier is optional, but must be located within the zone indicated. The pin #1 identifier may be either a mold or mark feature.



Компания «ЭлектроПласт» предлагает заключение долгосрочных отношений при поставках импортных электронных компонентов на взаимовыгодных условиях!

Наши преимущества:

- Оперативные поставки широкого спектра электронных компонентов отечественного и импортного производства напрямую от производителей и с крупнейших мировых складов;
- Поставка более 17-ти миллионов наименований электронных компонентов;
- Поставка сложных, дефицитных, либо снятых с производства позиций;
- Оперативные сроки поставки под заказ (от 5 рабочих дней);
- Экспресс доставка в любую точку России;
- Техническая поддержка проекта, помощь в подборе аналогов, поставка прототипов;
- Система менеджмента качества сертифицирована по Международному стандарту ISO 9001;
- Лицензия ФСБ на осуществление работ с использованием сведений, составляющих государственную тайну;
- Поставка специализированных компонентов (Xilinx, Altera, Analog Devices, Intersil, Interpoint, Microsemi, Aeroflex, Peregrine, Syfer, Eurofarad, Texas Instrument, Miteq, Cobham, E2V, MA-COM, Hittite, Mini-Circuits, General Dynamics и др.);

Помимо этого, одним из направлений компании «ЭлектроПласт» является направление «Источники питания». Мы предлагаем Вам помощь Конструкторского отдела:

- Подбор оптимального решения, техническое обоснование при выборе компонента;
- Подбор аналогов;
- Консультации по применению компонента;
- Поставка образцов и прототипов;
- Техническая поддержка проекта;
- Защита от снятия компонента с производства.



Как с нами связаться

Телефон: 8 (812) 309 58 32 (многоканальный)

Факс: 8 (812) 320-02-42

Электронная почта: org@eplast1.ru

Адрес: 198099, г. Санкт-Петербург, ул. Калинина, дом 2, корпус 4, литера А.