

## Features

- 0805 1.1mm SMD LED
- High Brightness
- AllnGaP / InGaN Technology
- Small package
- High reliability
- Clear Lens

## Applications

- Consumer Electronics
- Wearables
- Automobile After Market
- Industrial Equipment

## Description

The IN-S85AT series is a popular low profile 0805 package with versatile design capabilities. It is a PCB type molding style LED which can be used in various applications.

## Recommended Solder Pattern

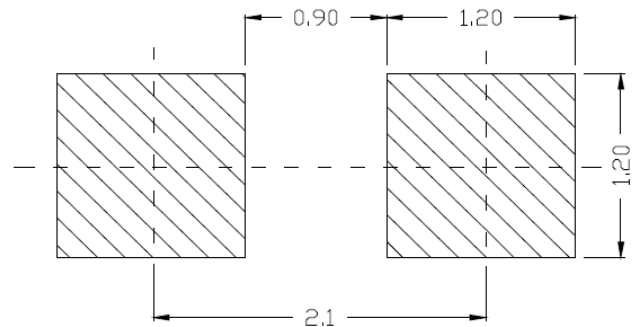


Figure 1. IN-S85AT Solder Pattern

## Package Dimensions in mm

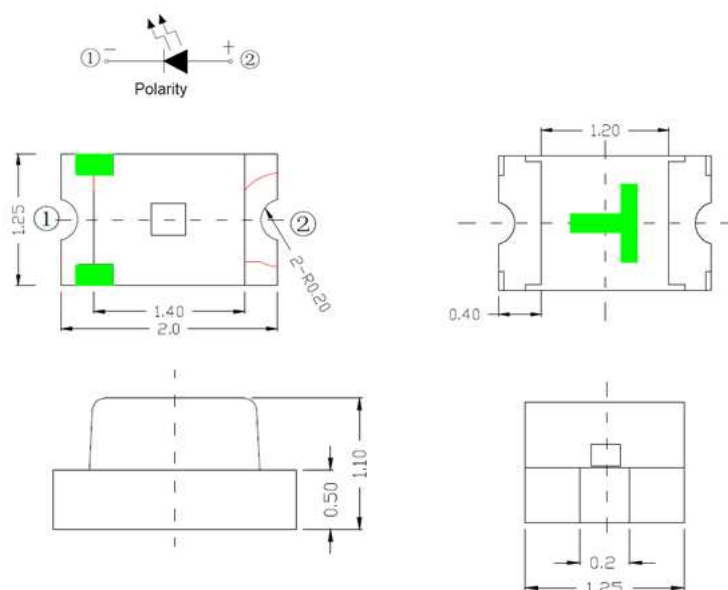


Figure 2. IN-S85AT Package Dimensions

**Absolute Maximum Rating at 25°C** (Note 1)

| Product     | Emission Color | P <sub>d</sub> (mW) | I <sub>F</sub> (mA) | I <sub>FP</sub> * (mA) | V <sub>R</sub> (V) | T <sub>OP</sub> (°C) | T <sub>ST</sub> (°C) |
|-------------|----------------|---------------------|---------------------|------------------------|--------------------|----------------------|----------------------|
| IN-S85ATYG  | Yellow Green   | 75                  | 25                  | 70                     | 5                  | -30°C~+85°C          | -40°C~+90°C          |
| IN-S85ATY   | Yellow         |                     |                     |                        |                    |                      |                      |
| IN-S85ATA   | Amber          |                     |                     |                        |                    |                      |                      |
| IN-S85ATR   | Red            |                     |                     |                        |                    |                      |                      |
| IN-S85AT5B  | Blue           | 75                  | 25                  | 100                    | 5                  | -30°C~+85°C          | -40°C~+90°C          |
| IN-S85ATG   | Green          |                     |                     |                        |                    |                      |                      |
| IN-S85AT5UW | White          |                     |                     |                        |                    |                      |                      |

**Notes**

1. Condition for I<sub>FP</sub> is pulse of 1/10 duty and 0.1msec width

**ESD Precaution**

ATTENTION: Electrostatic Discharge (ESD) protection



The symbol above denotes that ESD precaution is needed. ESD protection for GaP and AlGaAs based chips is necessary even though they are relatively safe in the presence of low static-electric discharge. Parts built with AlInGaP, GaN, or/and InGaN based chips are STATIC SENSITIVE devices. ESD precaution must be taken during design and assembly.

If manual work or processing is needed, please ensure the device is adequately protected from ESD during the process.

Please be advised that normal static precautions should be taken in the handling and assembly of this device to prevent damage or degradation which may be induced by electrostatic discharge (ESD).

**Electrical Characteristics**  $T_A = 25^\circ\text{C}$  (Note 1)

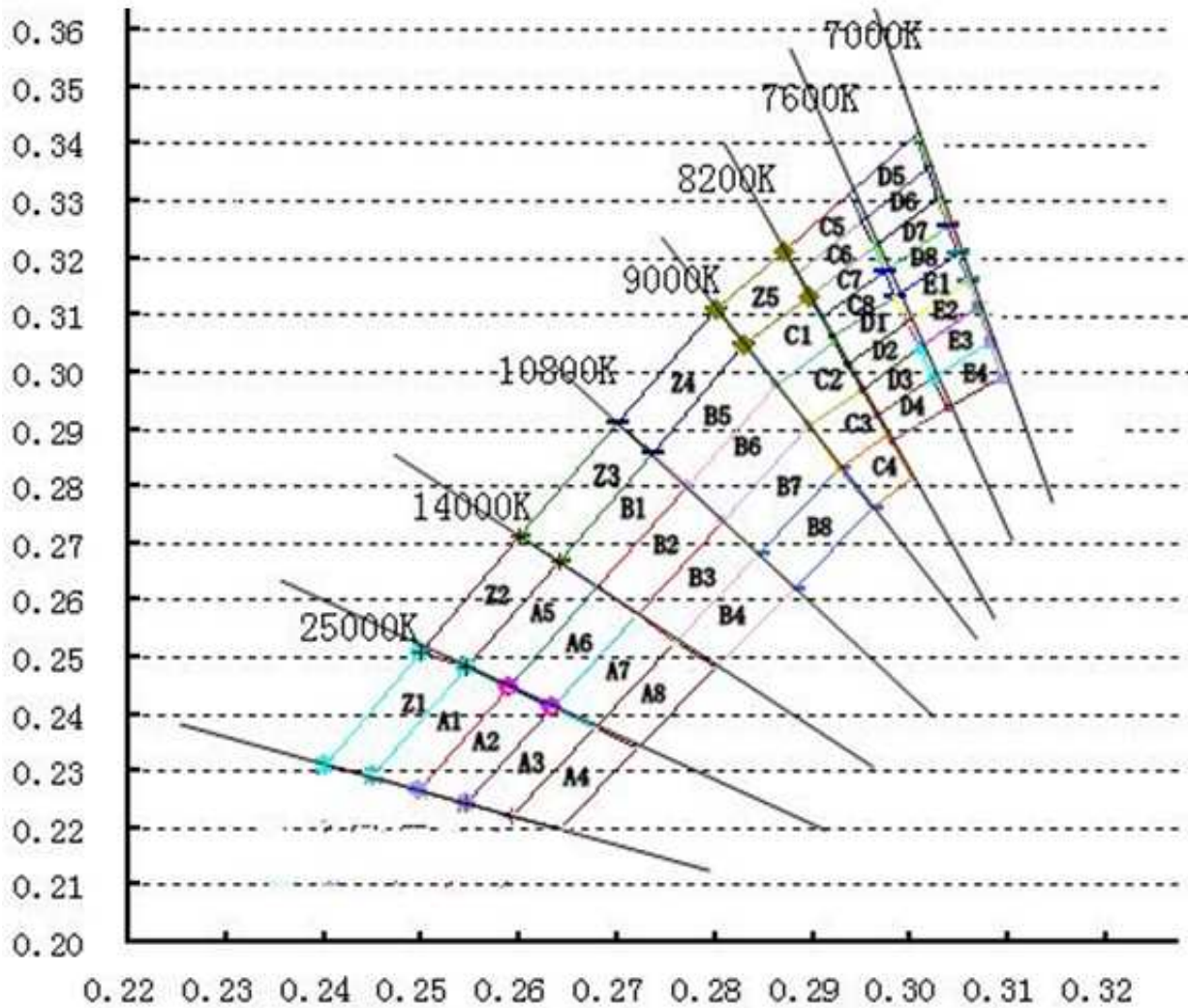
| Product     | Emission Color | $I_F(\text{mA})$ | $V_F(\text{V})$ |     | $\lambda(\text{nm})$ |             |                 | Viewing Angel   | $I_v(\text{mcd})$ |
|-------------|----------------|------------------|-----------------|-----|----------------------|-------------|-----------------|-----------------|-------------------|
|             |                |                  | min             | max | $\lambda_D$          | $\lambda_P$ | $\Delta\lambda$ | $2\theta_{1/2}$ | typ.              |
| IN-S85ATYG  | Yellow Green   | 20               | 1.8             | 2.6 | 572                  | 576         | 15              | 120             | 45                |
| IN-S85ATY   | Yellow         | 20               | 1.8             | 2.6 | 592                  | 594         | 15              | 120             | 115               |
| IN-S85ATA   | Amber          | 20               | 1.8             | 2.6 | 605                  | 610         | 20              | 120             | 80                |
| IN-S85ATR   | Red            | 20               | 1.8             | 2.6 | 625                  | 630         | 20              | 120             | 140               |
| IN-S85AT5B  | Blue           | 5                | 2.6             | 3.4 | 470                  | 473         | 30              | 120             | 80                |
| IN-S85ATG   | Green          | 20               | 2.8             | 3.6 | 520                  | 528         | 35              | 120             | 600               |
| IN-S85AT5UW | White          | 5                | 2.6             | 3.4 | X=0.29<br>Y=0.29     | -           | -               | 120             | 180               |

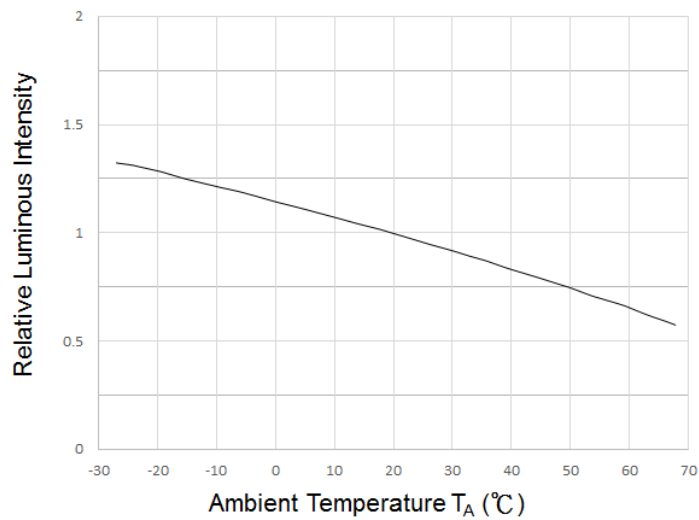
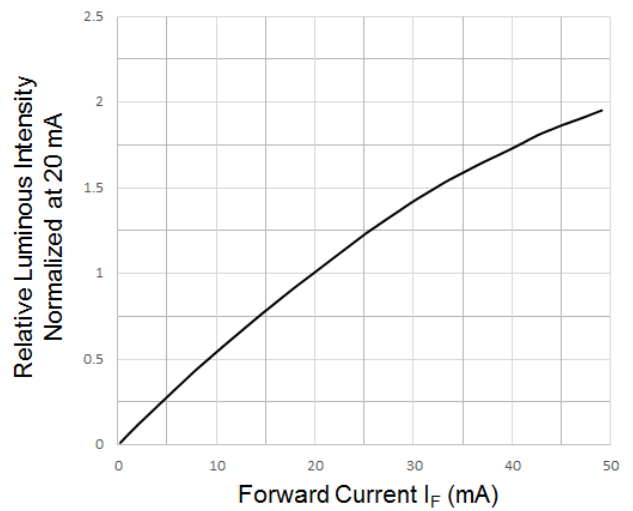
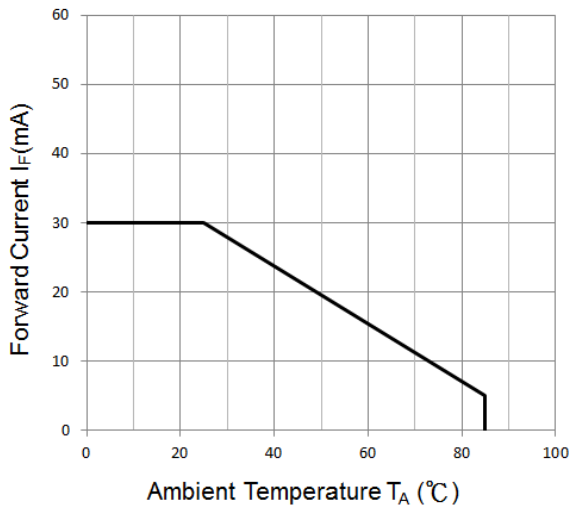
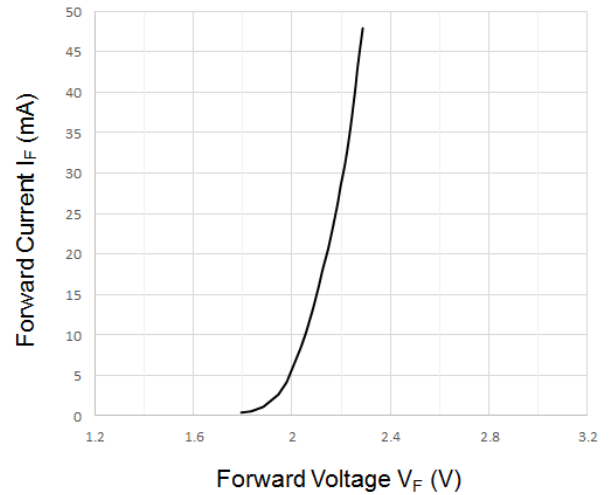
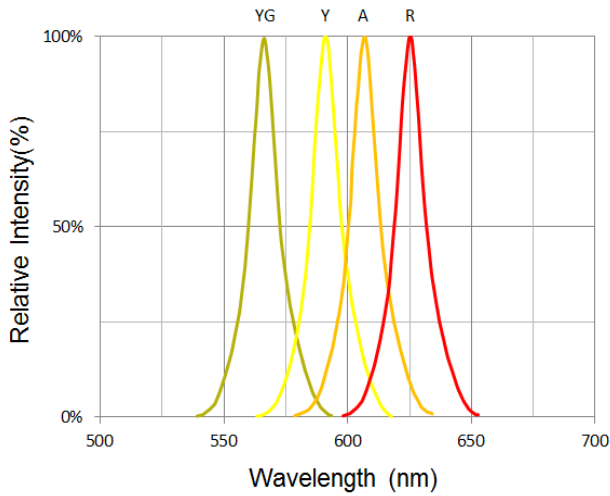
**Notes**

1. Performance guaranteed only under conditions listed in above tables.

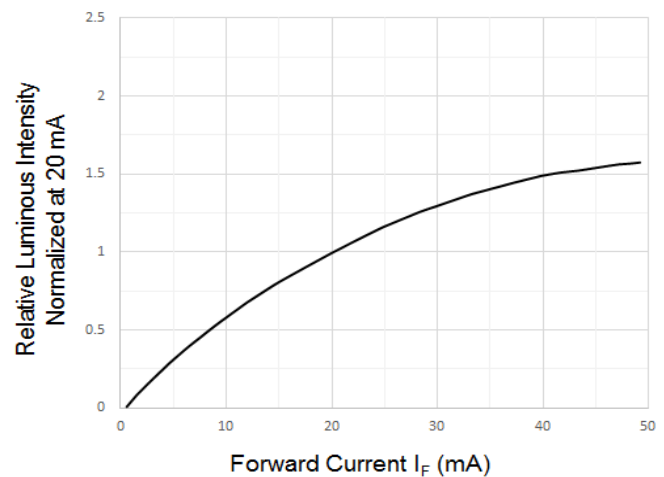
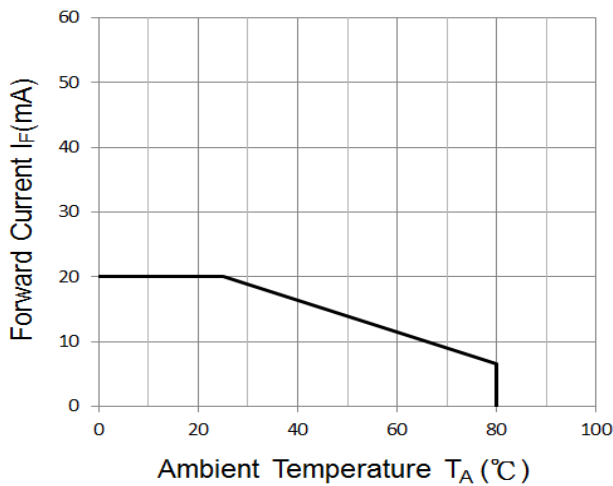
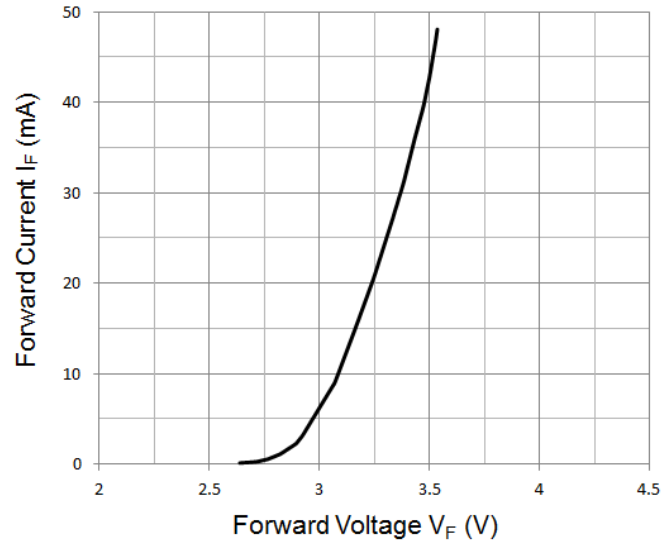
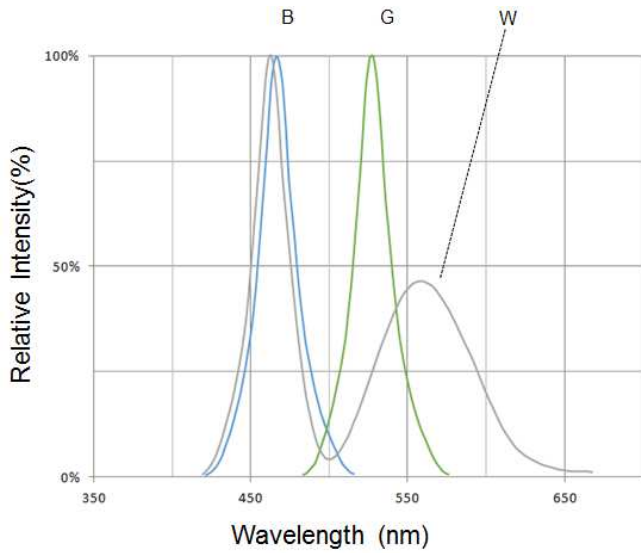
**Chromaticity Bin (for White only)**

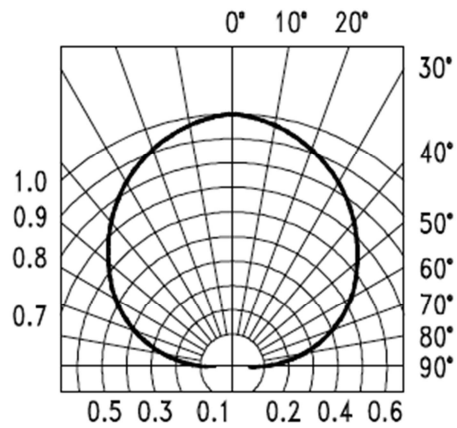
| Bin Code | CIE-X  | CIE-Y  | Bin Code | CIE-X  | CIE-Y  | Bin Code | CIE-X  | CIE-Y  | Bin Code | CIE-X  | CIE-Y  |
|----------|--------|--------|----------|--------|--------|----------|--------|--------|----------|--------|--------|
| A5       | 0.2545 | 0.2480 | B1       | 0.2640 | 0.2670 | C1       | 0.2830 | 0.3050 | D1       | 0.2920 | 0.3060 |
|          | 0.2589 | 0.2445 |          | 0.2680 | 0.2623 |          | 0.2863 | 0.2978 |          | 0.2935 | 0.3015 |
|          | 0.2680 | 0.2623 |          | 0.2772 | 0.2800 |          | 0.2923 | 0.3052 |          | 0.2997 | 0.3088 |
|          | 0.2640 | 0.2670 |          | 0.2735 | 0.2860 |          | 0.2895 | 0.3134 |          | 0.2984 | 0.3133 |
| A6       | 0.2589 | 0.2445 | B2       | 0.2720 | 0.2575 | C2       | 0.2863 | 0.2978 | D2       | 0.2935 | 0.3015 |
|          | 0.2633 | 0.2410 |          | 0.2680 | 0.2623 |          | 0.2895 | 0.2905 |          | 0.2950 | 0.2970 |
|          | 0.2720 | 0.2575 |          | 0.2772 | 0.2800 |          | 0.2950 | 0.2970 |          | 0.3009 | 0.3042 |
|          | 0.2680 | 0.2623 |          | 0.2808 | 0.2740 |          | 0.2923 | 0.3052 |          | 0.2997 | 0.3088 |
| A7       | 0.2677 | 0.2375 | B3       | 0.2720 | 0.2575 | C3       | 0.2895 | 0.2905 | D3       | 0.2950 | 0.2970 |
|          | 0.2633 | 0.2410 |          | 0.2760 | 0.2528 |          | 0.2928 | 0.2833 |          | 0.2965 | 0.2925 |
|          | 0.2720 | 0.2575 |          | 0.2844 | 0.2680 |          | 0.2977 | 0.2891 |          | 0.3023 | 0.2990 |
|          | 0.2760 | 0.2528 |          | 0.2808 | 0.2740 |          | 0.2950 | 0.2970 |          | 0.3009 | 0.3042 |
| A8       | 0.2720 | 0.2340 | B4       | 0.2760 | 0.2528 | C4       | 0.2928 | 0.2833 | D4       | 0.2965 | 0.2925 |
|          | 0.2677 | 0.2375 |          | 0.2844 | 0.2680 |          | 0.2977 | 0.2891 |          | 0.2980 | 0.2880 |
|          | 0.2760 | 0.2528 |          | 0.2880 | 0.2620 |          | 0.3003 | 0.2812 |          | 0.3037 | 0.2937 |
|          | 0.2800 | 0.2480 |          | 0.2800 | 0.2480 |          | 0.2960 | 0.2760 |          | 0.3023 | 0.2990 |
| E1       | 0.2984 | 0.3133 | B5       | 0.2735 | 0.2860 | C5       | 0.2883 | 0.3172 | D5       | 0.2937 | 0.3312 |
|          | 0.2997 | 0.3088 |          | 0.2772 | 0.2800 |          | 0.2870 | 0.3210 |          | 0.2950 | 0.3266 |
|          | 0.3058 | 0.3160 |          | 0.2863 | 0.2978 |          | 0.2937 | 0.3312 |          | 0.3017 | 0.3360 |
|          | 0.3048 | 0.3207 |          | 0.2830 | 0.3050 |          | 0.2950 | 0.3266 |          | 0.3005 | 0.3415 |
| E2       | 0.2997 | 0.3088 | B6       | 0.2772 | 0.2800 | C6       | 0.2883 | 0.3172 | D6       | 0.2950 | 0.3266 |
|          | 0.3009 | 0.3042 |          | 0.2808 | 0.2740 |          | 0.2950 | 0.3266 |          | 0.2962 | 0.3220 |
|          | 0.3068 | 0.3113 |          | 0.2895 | 0.2905 |          | 0.2962 | 0.3220 |          | 0.3028 | 0.3304 |
|          | 0.3058 | 0.3160 |          | 0.2863 | 0.2978 |          | 0.2895 | 0.3134 |          | 0.3017 | 0.3360 |
| E3       | 0.3009 | 0.3042 | B7       | 0.2808 | 0.2740 | C7       | 0.2895 | 0.3134 | D7       | 0.2962 | 0.3220 |
|          | 0.3023 | 0.2990 |          | 0.2844 | 0.2680 |          | 0.2908 | 0.3097 |          | 0.2973 | 0.3177 |
|          | 0.3081 | 0.3053 |          | 0.2928 | 0.2833 |          | 0.2973 | 0.3177 |          | 0.3038 | 0.3256 |
|          | 0.3068 | 0.3113 |          | 0.2895 | 0.2905 |          | 0.2962 | 0.3220 |          | 0.3028 | 0.3304 |
| E4       | 0.3023 | 0.2990 | B8       | 0.2844 | 0.2680 | C8       | 0.2908 | 0.3097 | D8       | 0.2973 | 0.3177 |
|          | 0.3037 | 0.2937 |          | 0.2928 | 0.2833 |          | 0.2920 | 0.3060 |          | 0.2984 | 0.3133 |
|          | 0.3093 | 0.2993 |          | 0.2960 | 0.2760 |          | 0.2984 | 0.3133 |          | 0.3048 | 0.3207 |
|          | 0.3081 | 0.3053 |          | 0.2880 | 0.2620 |          | 0.2973 | 0.3177 |          | 0.3038 | 0.3256 |
| Z2       | 0.25   | 0.251  | Z3       | 0.26   | 0.271  | Z4       | 0.27   | 0.291  | Z5       | 0.28   | 0.311  |
|          | 0.26   | 0.271  |          | 0.27   | 0.291  |          | 0.28   | 0.311  |          | 0.2871 | 0.321  |
|          | 0.264  | 0.267  |          | 0.2735 | 0.286  |          | 0.283  | 0.305  |          | 0.2895 | 0.3134 |
|          | 0.2545 | 0.248  |          | 0.264  | 0.267  |          | 0.2735 | 0.286  |          | 0.283  | 0.305  |
| A1       | 0.2497 | 0.2267 | A2       | 0.2497 | 0.2267 | A3       | 0.2593 | 0.2223 | A4       | 0.2640 | 0.2200 |
|          | 0.245  | 0.229  |          | 0.2589 | 0.2445 |          | 0.2677 | 0.2375 |          | 0.2593 | 0.2223 |
|          | 0.2545 | 0.248  |          | 0.2633 | 0.241  |          | 0.2633 | 0.2410 |          | 0.2677 | 0.2375 |
|          | 0.2589 | 0.2445 |          | 0.2545 | 0.2245 |          | 0.2545 | 0.2245 |          | 0.2720 | 0.2340 |
| Z1       | 0.24   | 0.231  |          |        |        |          |        |        |          |        |        |
|          | 0.25   | 0.251  |          |        |        |          |        |        |          |        |        |
|          | 0.2545 | 0.248  |          |        |        |          |        |        |          |        |        |
|          | 0.245  | 0.2291 |          |        |        |          |        |        |          |        |        |



**Typical Characteristic Curves – YG, Y, A, R**


### Typical Characteristic Curves – B, G, W



**Typical Characteristic Curves – Radiation Pattern**

**Ordering Information**

| Product     | Emission Color | Technology | Test Current<br>$I_F$ (mA) | Luminous Intensity<br>$I_v$ (mcd)<br>(Typ.) | Forward Voltage<br>$V_F$ (V)<br>(Typ.) | Orderable Part Number |
|-------------|----------------|------------|----------------------------|---|--|-----------------------|
| IN-S85ATYG  | Yellow Green   | AllnGaP    | 20                         | 45  | 2.0                                    | IN-S85ATYG            |
| IN-S85ATY   | Yellow         | AllnGaP    | 20                         | 115   | 2.0                                    | IN-S85ATY             |
| IN-S85ATA   | Amber          | AllnGaP    | 20                         | 80  | 2.0                                    | IN-S85ATA             |
| IN-S85ATR   | Red            | AllnGaP    | 20                         | 140   | 2.2                                    | IN-S85ATR             |
| IN-S85AT5B  | Blue           | InGaN      | 5                          | 80  | 3.0                                    | IN-S85AT5B            |
| IN-S85ATG   | Green          | InGaN      | 20                         | 600   | 3.2                                    | IN-S85ATG             |
| IN-S85AT5UW | White          | InGaN      | 5                          | 180   | 3.0                                    | IN-S85AT5UW           |



**Label Specifications**

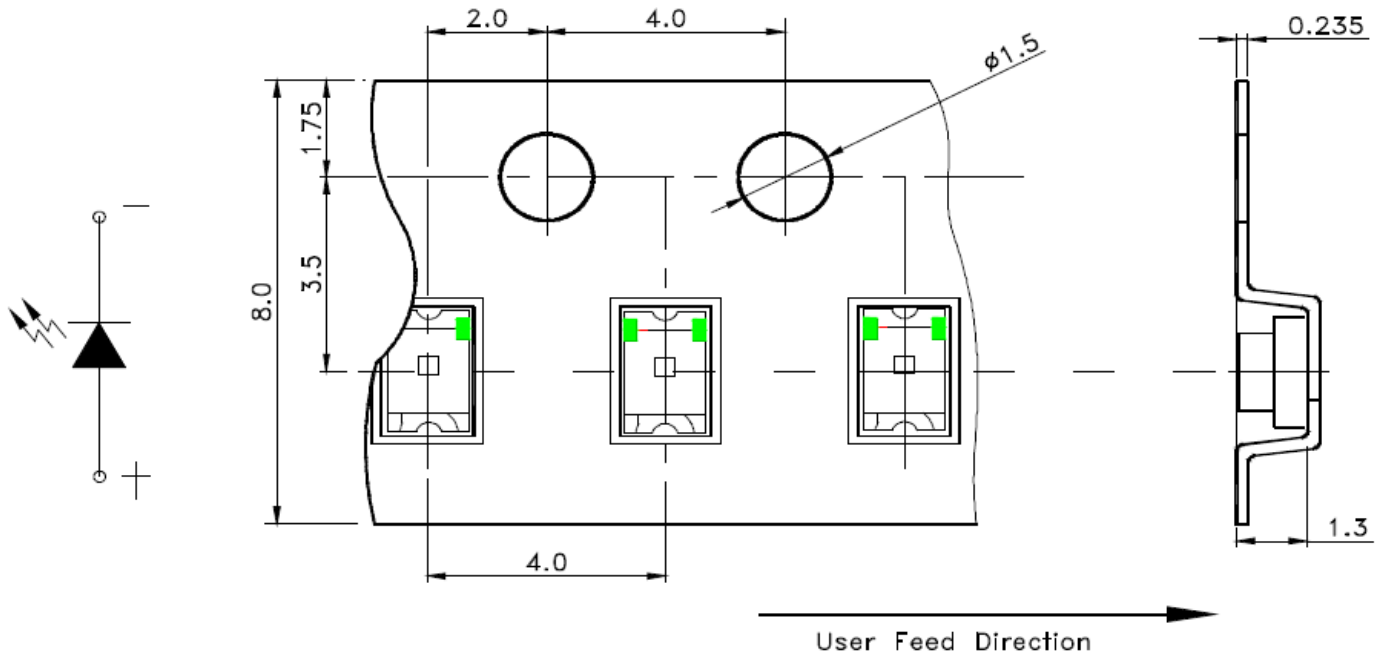
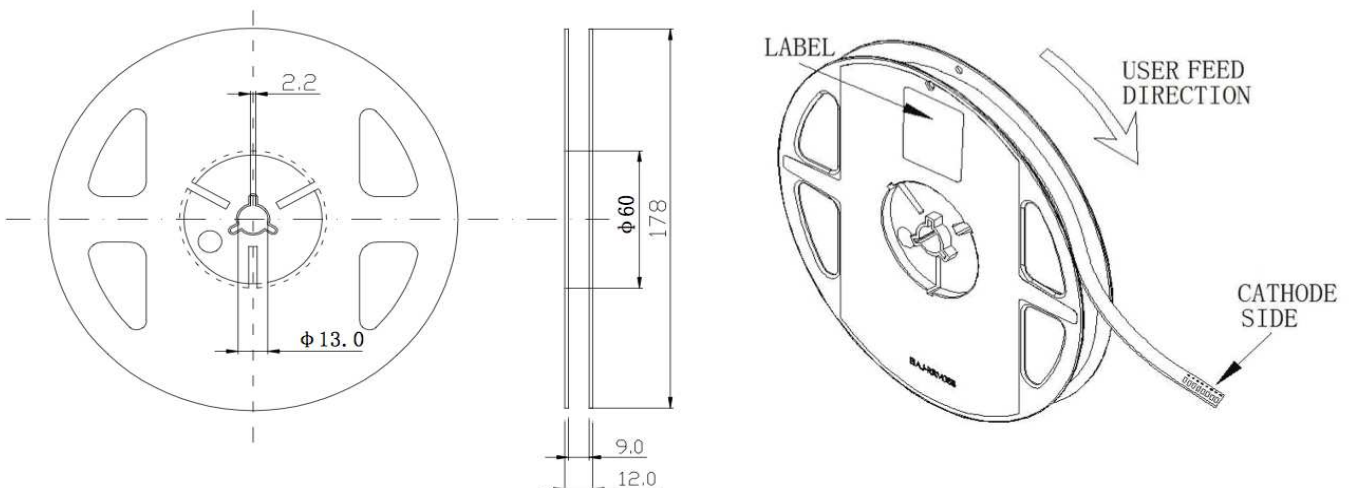


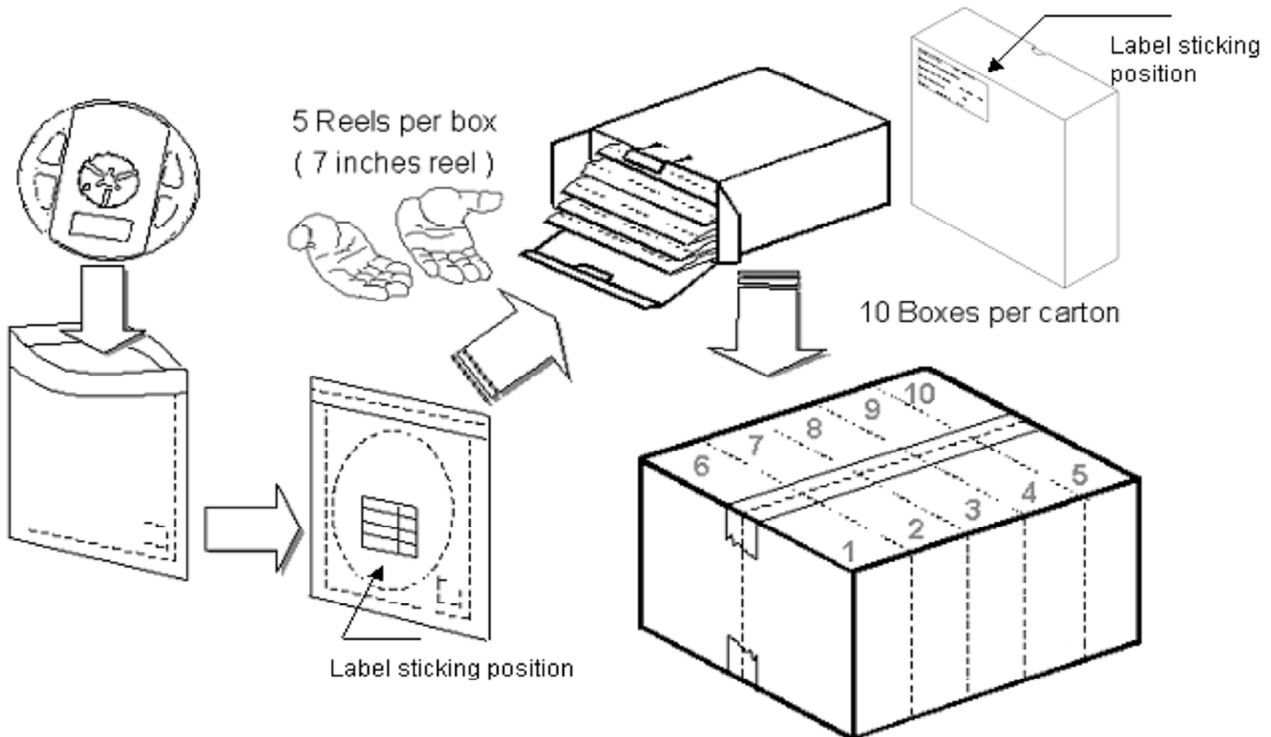
**Inolux P/N:**

| I          | N | - | S            | 8                        | 5 | A         | T             |                         |                                 | X  | - | X                    | X | X | X |
|------------|---|---|--------------|--------------------------|---|-----------|---------------|-------------------------|---------------------------------|--|---|----------------------|---|---|---|
| Inolux SMD |   |   | Material     | Package                  |   | Variation | Orientation   | Current                 | Lens                            | Color  |   | Customized Stamp-off |   |   |   |
|            |   |   | S = PCB Type | 85A = 2.0 x 1.25 x 1.1mm |   |           | T = Top Mount | (Blank) = 20mA<br>5-5mA | (Blank) = Clear<br>U = Diffused | R=630nm<br>A=610nm<br>Y=594nm<br>YG=576nm<br>G=528nm<br>B=473nm<br>W=White |   |                      |   |   |   |

**Lot No.:**

|                  |                          |   |   |   |       |      |        |
|------------------|--------------------------|---|---|---|-------|------|--------|
| Z                | 2                        | 0 | 1 | 7 | 01    | 24   | 001    |
| Internal Tracker | Year (2017, 2018, .....) |   |   |   | Month | Date | Serial |

**Packaging Information: 4000pcs Per Reel**
**Tape Dimension**

**Reel Dimension**


**Packing Dimension**


5 boxes per carton are available depending on shipment quantity.

|              | Specification        | Material                          | Quantity         |
|--------------|----------------------|-----------------------------------|------------------|
| Carrier tape | Per EIA 481-1A specs | Conductive black tape             | 4000pcs per reel |
| Reel         | Per EIA 481-1A specs | Conductive black                  |                  |
| Label        | IN standard          | Paper                             |                  |
| Packing bag  | 220x240mm            | Aluminum laminated bag/ no-zipper | One reel per bag |
| Carton       | IN standard          | Paper                             | Non-specified    |

**Others:**

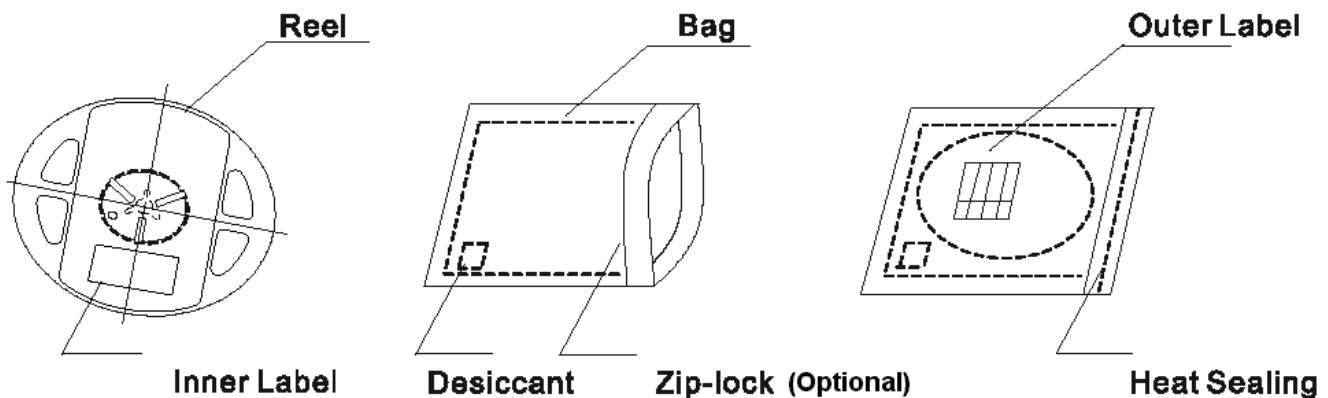
Each immediate box consists of 5 reels. The 5 reels may not necessarily have the same lot number or the same bin combinations of  $I_v$ ,  $\lambda_D$  and  $V_f$ . Each reel has a label identifying its specification; the immediate box consists of a product label as well.

## Dry Pack

All SMD optical devices are **MOISTURE SENSITIVE**. Avoid exposure to moisture at all times during transportation or storage. Every reel is packaged in a moisture protected anti-static bag. Each bag is properly sealed prior to shipment.

Upon request, a humidity indicator will be included in the moisture protected anti-static bag prior to shipment.

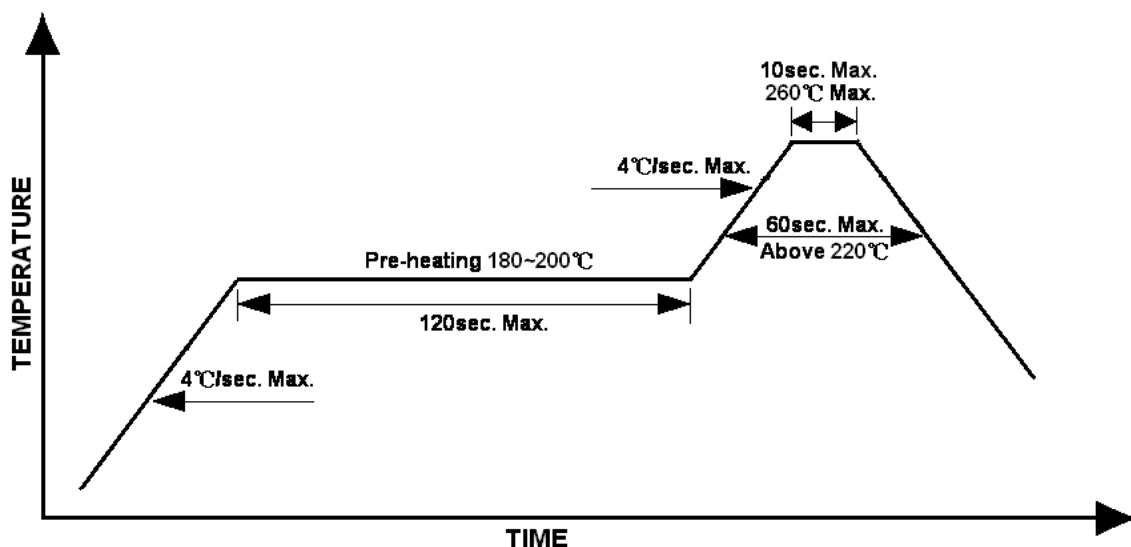
The packaging sequence is as follows:



## Reflow Soldering

- Recommended tin glue specifications: melting temperature in the range of 178~192°C
- The recommended reflow soldering profile is as follows (temperatures indicated are as measured on the surface of the LED resin):

Lead-free Solder Profile



## Precautions

- Avoid exposure to moisture at all times during transportation or storage.
- Anti-Static precaution must be taken when handling GaN, InGaN, and AlInGaP products.
- It is suggested to connect the unit with a current limiting resistor of the proper size. Avoid applying a reverse voltage.
- Avoid operation beyond the limits as specified by the absolute maximum ratings.
- Avoid direct contact with the surface through which the LED emits light.
- If possible, assemble the unit in a clean room or dust-free environment.

## Reworking

- Rework should be completed within 5 seconds under 260 °C.
- The iron tip must not come in contact with the copper foil.
- Twin-head type is preferred.

## Cleaning

Following are cleaning procedures after soldering:

- An alcohol-based solvent such as isopropyl alcohol (IPA) is recommended.
- Temperature x Time should be 50°C x 30sec. or <30°C x 3min
- Ultra sonic cleaning: < 15W/ bath; bath volume ≤ 1liter
- Curing: 100 °C max, <3min

## Cautions of Pick and Place

- Avoid stress on the resin at elevated temperature.
- Avoid rubbing or scraping the resin by any object.
- Electro-static may cause damage to the component. Please ensure that the equipment is properly grounded. Use of an ionizer fan is recommended.

**Reliability**

| Item                                 | Frequency/ lots/ samples/ failures                              | Standards Reference            | Conditions   |
|--------------------------------------|---|--------------------------------|--|
| Precondition                         | For all reliability monitoring tests according to JEDEC Level 2 | J-STD-020                      | 1.) Baking at 85°C for 24hrs<br>2.) Moisture storage at 85°C/ 60% R.H. for 168hrs  |
| Solderability                        | 1Q/ 1/ 22/ 0  | JESD22-B102-B<br>And CNS-5068  | Accelerated aging 155°C/ 24hrs<br>Tinning speed: 2.5+0.5cm/s<br>Tinning: A: 215°C/ 3+1s or B: 260°C/ 10+1s                   |
| Resistance to soldering heat         |   | CNS-5067                       | Dipping soldering terminal only<br>Soldering bath temperature<br>A: 260+/-5°C; 10+/-1s<br>B: 350+/-10°C; 3+/-0.5s            |
| Operating life test                  | 1Q/ 1/ 40/ 0  | CNS-11829                      | 1.) Precondition: 85°C baking for 24hrs<br>85°C/ 60%R.H. for 168hrs<br>2.) Tamb25°C; IF=20mA; duration 1000hrs               |
| High humidity, high temperature bias | 1Q/ 1/ 45/ 0  | JESD-A101-B                    | Tamb: 85°C<br>Humidity: 85% R.H., IF=5mA<br>Duration: 1000hrs  |
| High temperature bias                | 1Q/ 1/ 20   | IN specs.                      | Tamb: 55°C<br>IF=20mA<br>Duration: 1000hrs   |
| Pulse life test                      | 1Q/ 1/ 40/ 0  |                                | Tamb25°C, If=20mA,, Ip=100mA, Duty cycle=0.125 (tp=125 μs, T=1sec)<br>Duration 500hrs)                                       |
| Temperature cycle                    | 1Q/ 1/ 76/ 0  | JESD-A104-A<br>IEC 68-2-14, Nb | A cycle: -40 degree C 15min; +85 degree C 15min<br>Thermal steady within 5 min..<br>300 cycles<br>2 chamber/ Air-to-air type |
| High humidity storage test           | 1Q/ 1/ 40/ 0  | CNS-6117                       | 60+3°C<br>90+5/-10% R.H. for 500hrs  |
| High temperature storage test        | 1Q/ 1/ 40/ 0  | CNS-554                        | 100+10°C for 500hrs  |
| Low temperature storage test         | 1Q/ 1/ 40/ 0  | CNS-6118                       | -40+5°C for 500hrs   |

## Revision History

| Changes since last revision | Page | Version No. | Revision Date |
|-----------------------------|------|-------------|---------------|
| Initial Release             |      | V1.0        | 02-07-2017    |
|                             |      |             |               |
|                             |      |             |               |
|                             |      |             |               |
|                             |      |             |               |
|                             |      |             |               |
|                             |      |             |               |
|                             |      |             |               |
|                             |      |             |               |

## DISCLAIMER

INOLUX reserves the right to make changes without further notice to any products herein to improve reliability, function or design. INOLUX does not assume any liability arising out of the application or use of any product or circuit described herein; neither does it convey any license under its patent rights, nor the rights of others.

## LIFE SUPPORT POLICY

INOLUX's products are not authorized for use as critical components in life support devices or systems without the express written approval of the President of INOLUX or INOLUX CORPORATION. As used herein:

1. Life support devices or systems are devices or systems which, (a) are intended for surgical implant into the body, or (b) support or sustain life, and (c) whose failure to perform when properly used in accordance with instructions for use provided in the labeling, can be reasonably expected to result in a significant injury of the user.
2. A critical component in any component of a life support device or system whose failure to perform can be reasonably expected to cause the failure of the life support device or system, or to affect its safety or effectiveness.



Компания «ЭлектроПласт» предлагает заключение долгосрочных отношений при поставках импортных электронных компонентов на взаимовыгодных условиях!

Наши преимущества:

- Оперативные поставки широкого спектра электронных компонентов отечественного и импортного производства напрямую от производителей и с крупнейших мировых складов;
- Поставка более 17-ти миллионов наименований электронных компонентов;
- Поставка сложных, дефицитных, либо снятых с производства позиций;
- Оперативные сроки поставки под заказ (от 5 рабочих дней);
- Экспресс доставка в любую точку России;
- Техническая поддержка проекта, помощь в подборе аналогов, поставка прототипов;
- Система менеджмента качества сертифицирована по Международному стандарту ISO 9001;
- Лицензия ФСБ на осуществление работ с использованием сведений, составляющих государственную тайну;
- Поставка специализированных компонентов (Xilinx, Altera, Analog Devices, Intersil, Interpoint, Microsemi, Aeroflex, Peregrine, Syfer, Eurofarad, Texas Instrument, Miteq, Cobham, E2V, MA-COM, Hittite, Mini-Circuits, General Dynamics и др.);

Помимо этого, одним из направлений компании «ЭлектроПласт» является направление «Источники питания». Мы предлагаем Вам помощь Конструкторского отдела:

- Подбор оптимального решения, техническое обоснование при выборе компонента;
- Подбор аналогов;
- Консультации по применению компонента;
- Поставка образцов и прототипов;
- Техническая поддержка проекта;
- Защита от снятия компонента с производства.



#### Как с нами связаться

**Телефон:** 8 (812) 309 58 32 (многоканальный)

**Факс:** 8 (812) 320-02-42

**Электронная почта:** [org@eplast1.ru](mailto:org@eplast1.ru)

**Адрес:** 198099, г. Санкт-Петербург, ул. Калинина, дом 2, корпус 4, литера А.