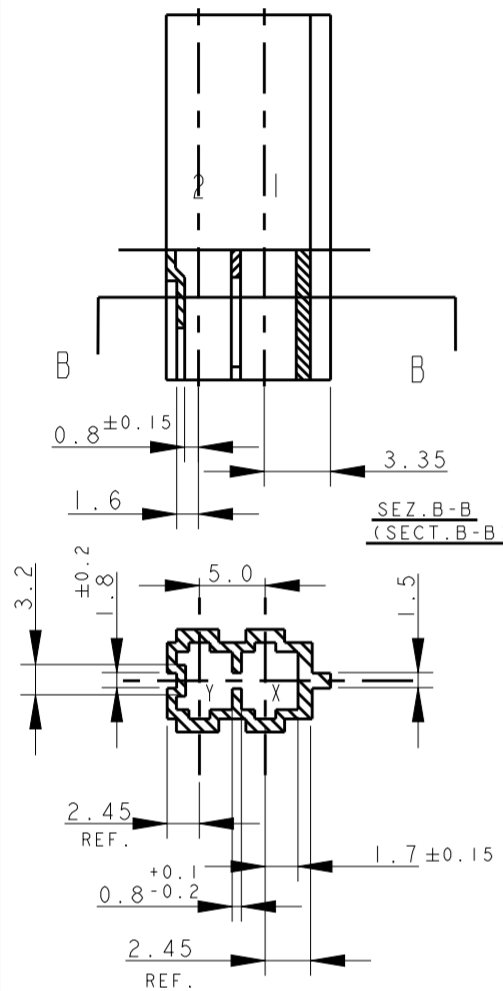


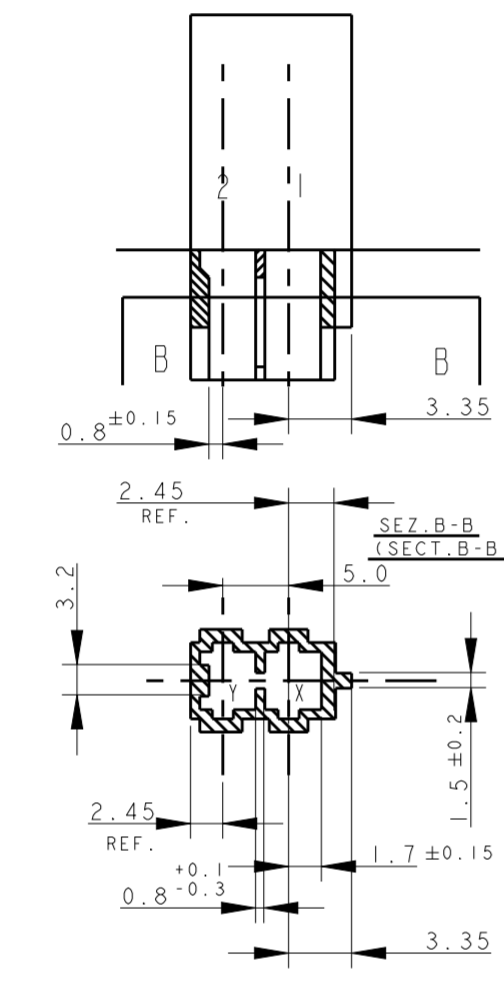
THIS DRAWING IS UNPUBLISHED.
 RELEASED FOR PUBLICATION
 ALL RIGHTS RESERVED.

P	LTR	REVISIONS			
		DESCRIPTION	DATE	DWN	APVD
Z6	ECR-13-016914		22OCT2013	MKD	RRP
Z7	ECR-15-008852		15JUN2015	KD	RR
Z8	ECR-15-010515		14JUL2015	FL	RR

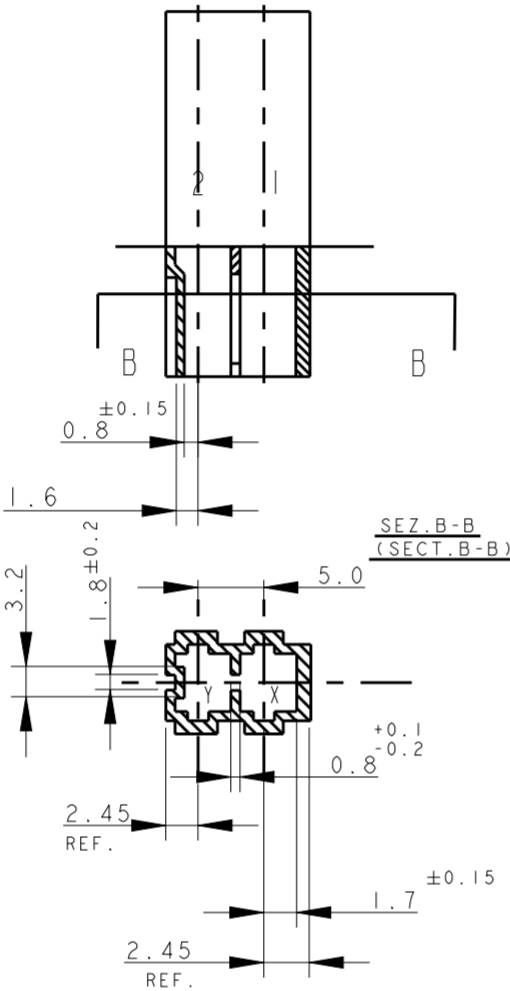
RAPPRESENTAZIONE GRAFICA DEI P/Ns:
 (GRAPHICAL REPRESENTATION OF P/Ns:)
 x-282042-1



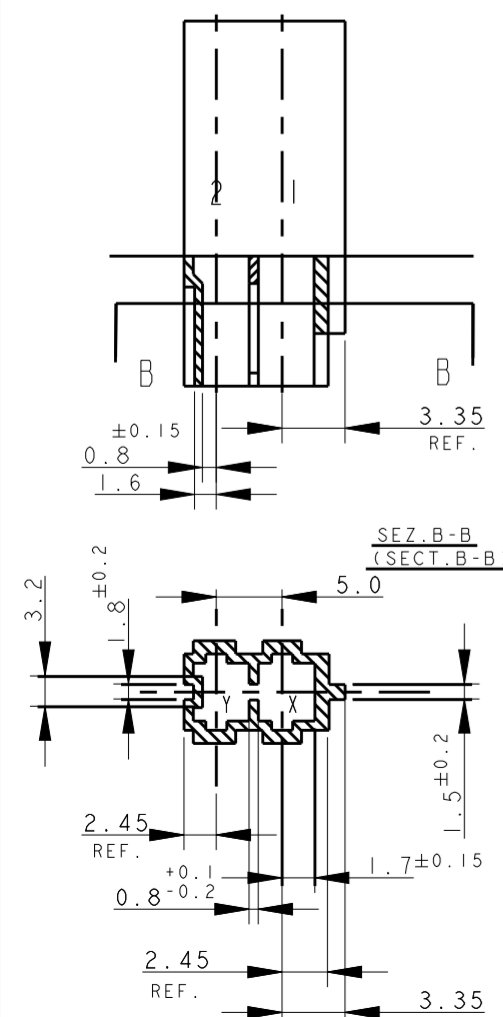
RAPPRESENTAZIONE GRAFICA DEI P/Ns:
 (GRAPHICAL REPRESENTATION OF P/Ns:)
 x-282042-2



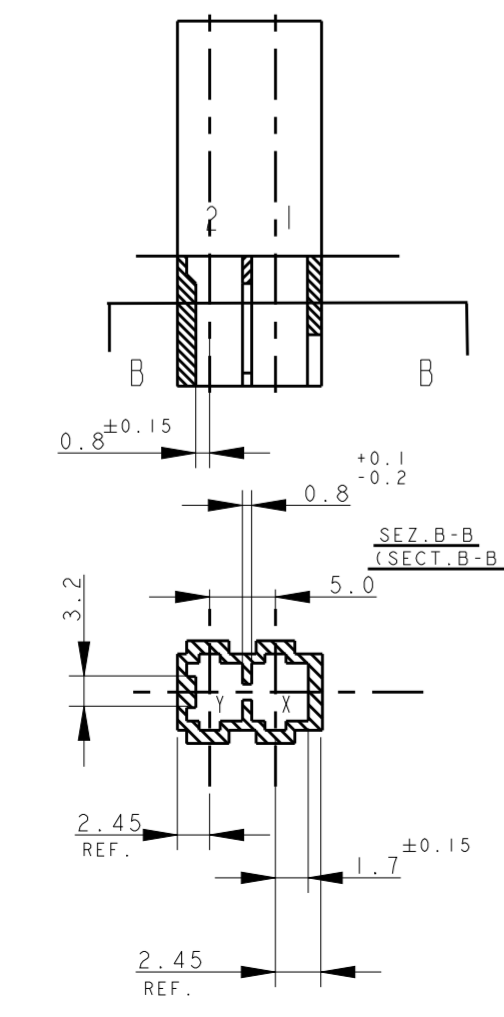
RAPPRESENTAZIONE GRAFICA DEI P/Ns:
 (GRAPHICAL REPRESENTATION OF P/Ns:)
 x-282042-3



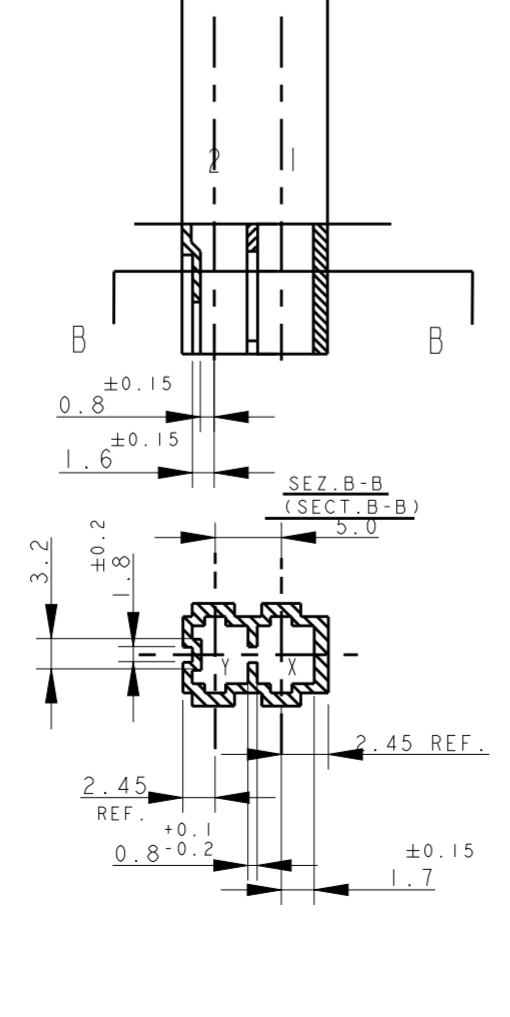
RAPPRESENTAZIONE GRAFICA DEI P/Ns:
 (GRAPHICAL REPRESENTATION OF P/Ns:)
 x-282042-4



RAPPRESENTAZIONE GRAFICA DEI P/Ns:
 (GRAPHICAL REPRESENTATION OF P/Ns:)
 x-282042-5

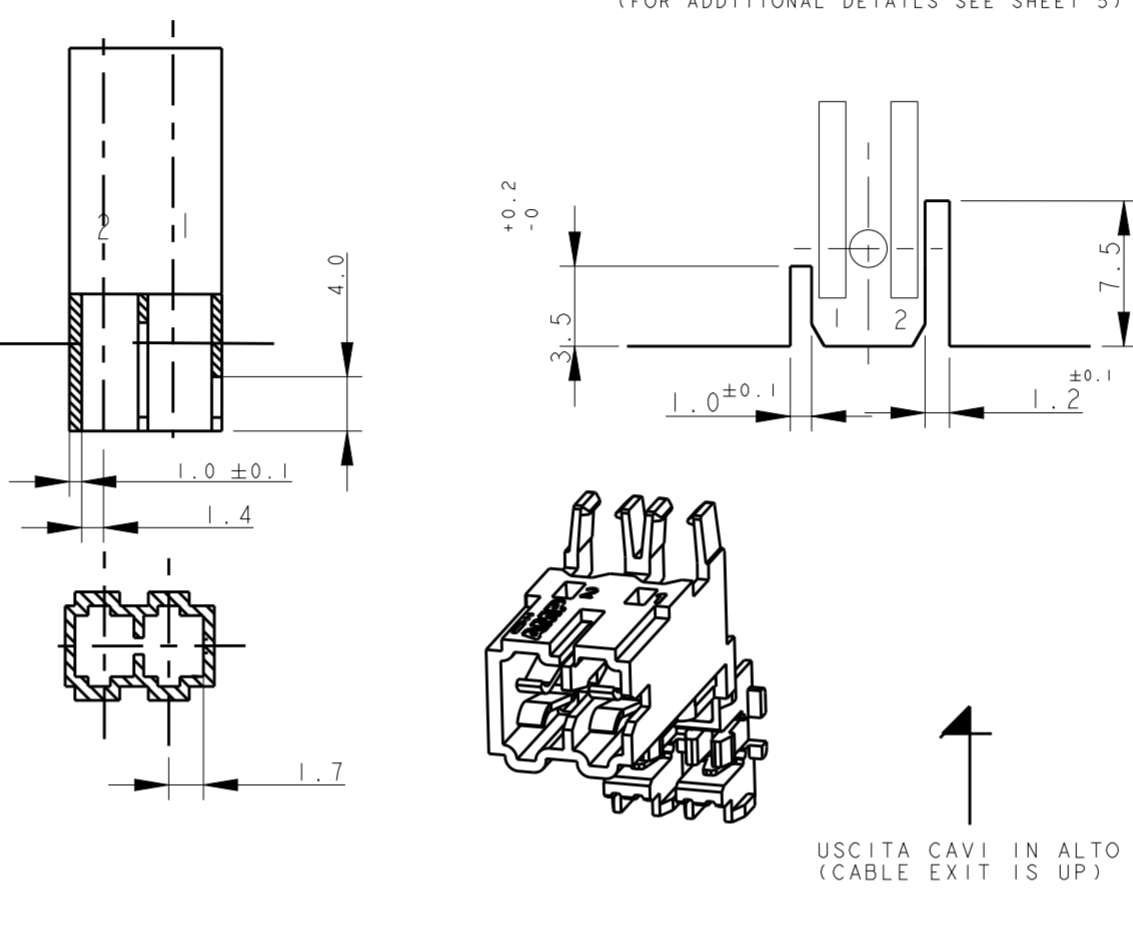


RAPPRESENTAZIONE GRAFICA DEI P/Ns:
 (GRAPHICAL REPRESENTATION OF P/Ns:)
 x-282042-6



DETAILS FOR x-284561-2

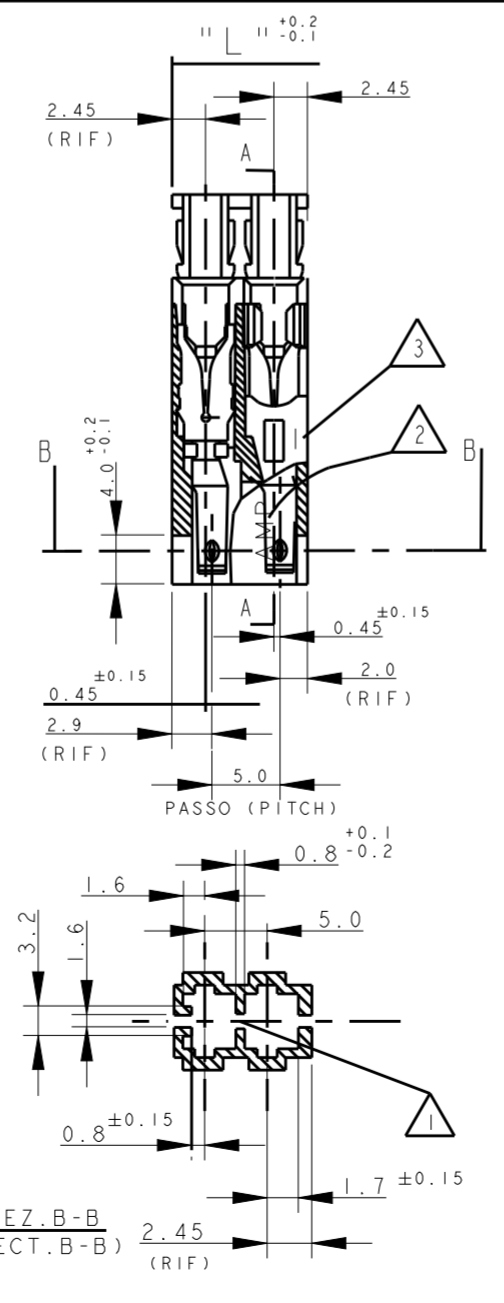
NOT YET IN PRODUCTION



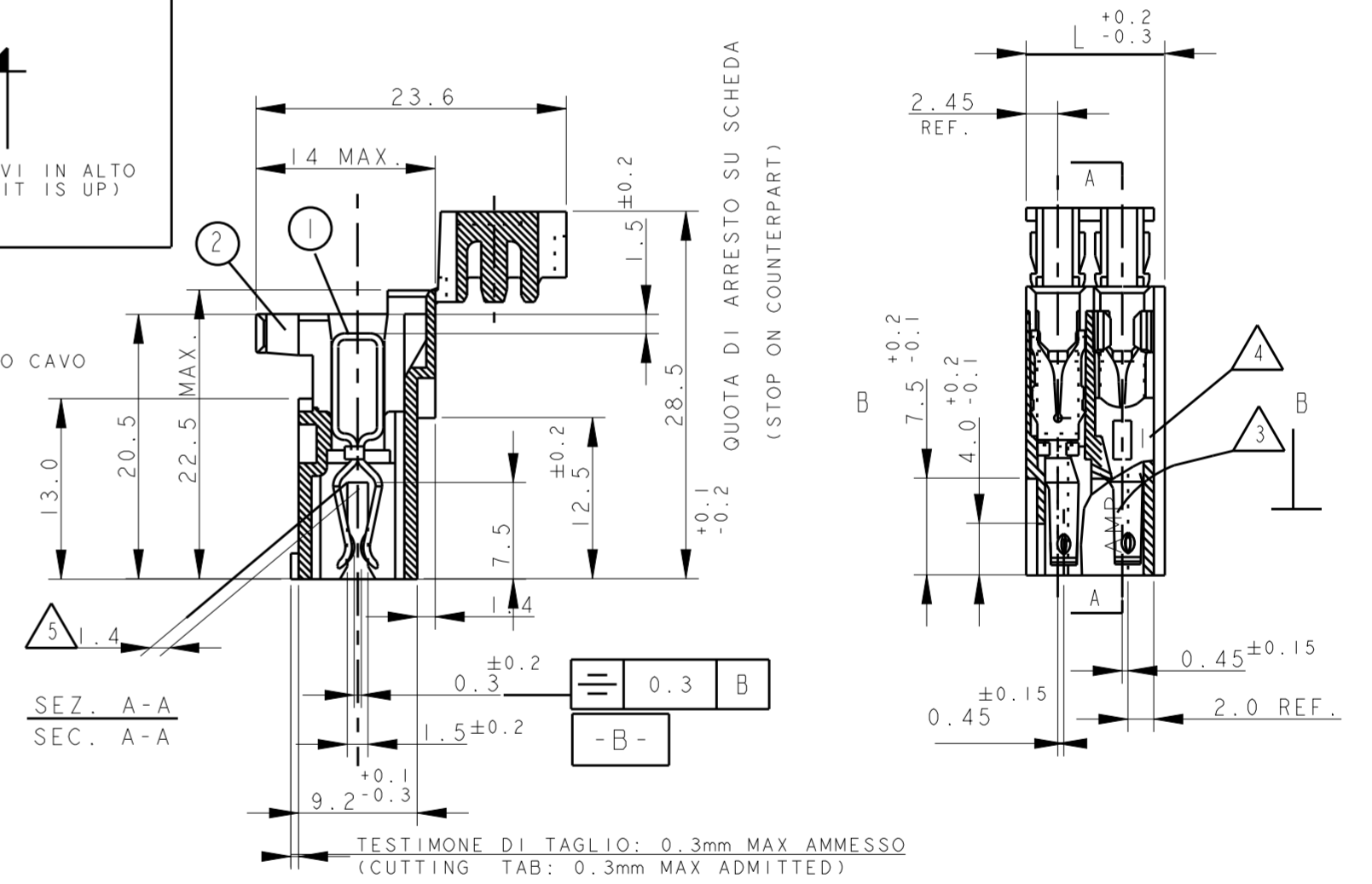
2 POS.
 PCB LAYOUT FOR P/Ns
 x-284561-2
 PER ALTRI DETTAGLI RIFERIRSI AL FOGLIO 5
 (FOR ADDITIONAL DETAILS SEE SHEET 5)

USCITA CAVI IN ALTO
 (CABLE EXIT IS UP)

RAPPRESENTAZIONE GRAFICA DEI P/Ns:
 (GRAPHICAL REPRESENTATION OF P/Ns:)
 x-284561-1



PIANO DI ARRESTO CAVO
 (CABLE STOP)



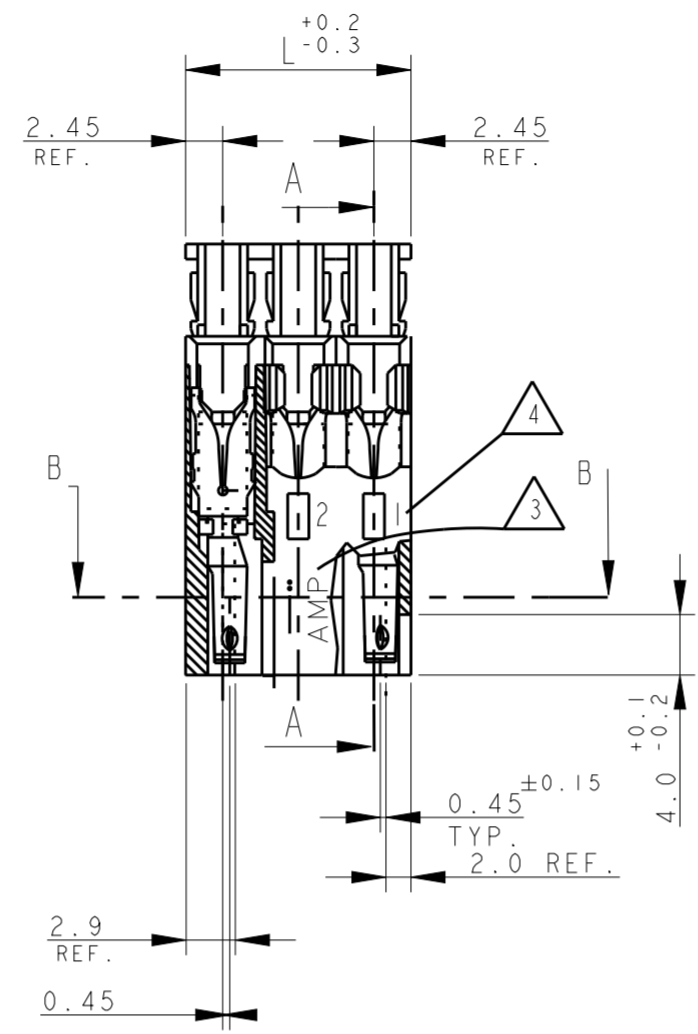
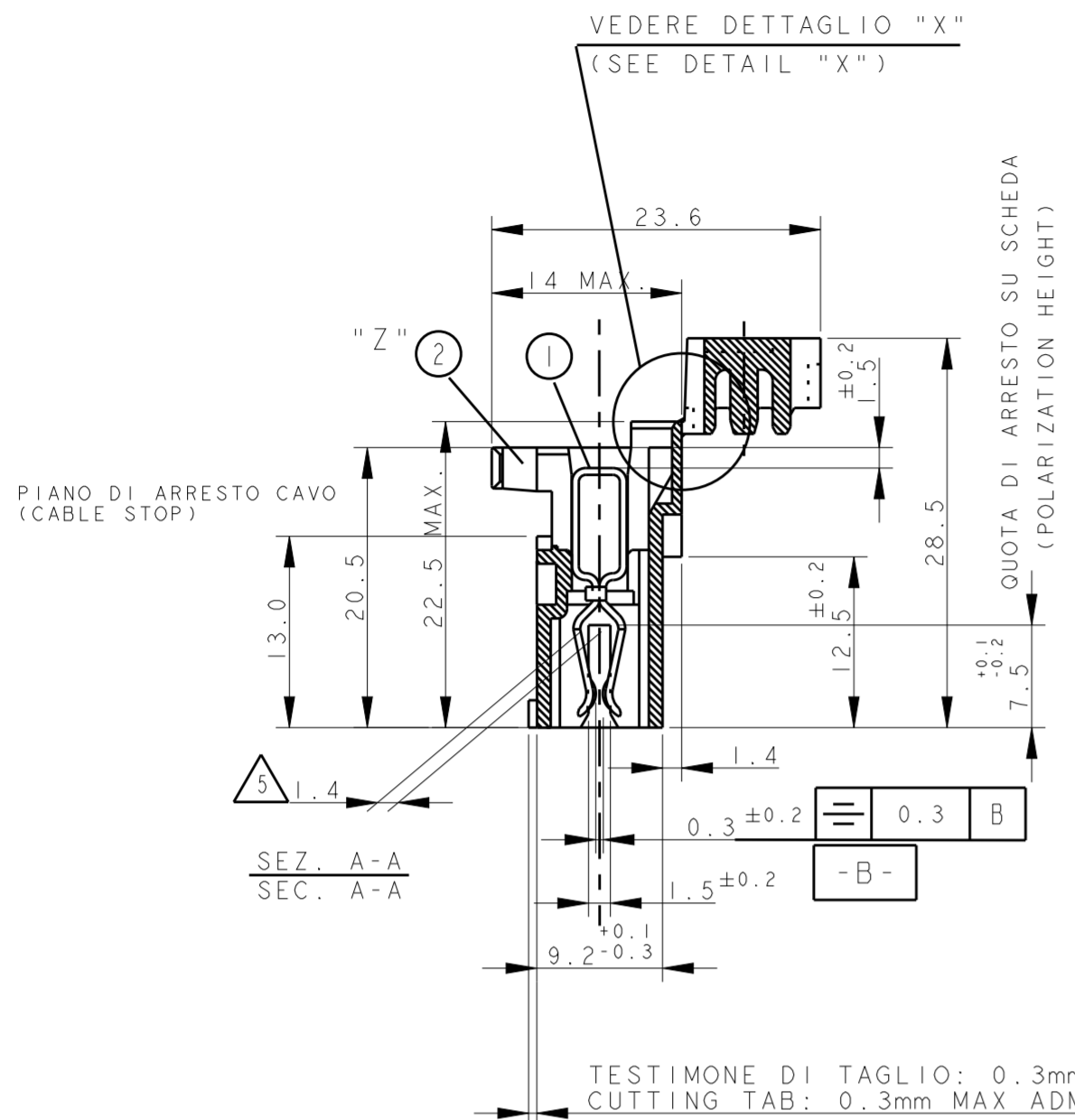
6 CODICE NON ANCORA IN PRODUZIONE
 (PN NOT YET RELEASED FOR PRODUCTION)
 7) PER I NUMERI DI RIFERIMENTO DEI CONNETTORI VEDERE ULTIMO FOGLIO
 (FOR PN/S SEE LAST SHEET)

10) PER LE DIMENSIONI DELLE DIME DEL CIRCUITO STAMPATO VEDERE FOGLIO 5
 (FOR PCB LAYOUT AND DIMENSIONS SEE SHEET 5)

THIS DRAWING IS A CONTROLLED DOCUMENT.		DWN C. CORDOLA 23JUL1996	TE Connectivity	NAME MONO-SHAPE, MK1 PCB CONNECTOR 2-12 POS.	
DIMENSIONS: mm		CHK G. TURCO 23JUL1996			PRODUCT SPEC 108-20067
TOLERANCES UNLESS OTHERWISE SPECIFIED: 0 PLC ± 1 PLC ± 2 PLC ± 0.3 3 PLC ± 4 PLC ±		APVD G. TURCO 23JUL1996			
MATERIAL CONNETTORE NYLON (CONNECTOR NYLON) CONTATTO OTTONE (CONTACT BRASS)		FINISH STAGNATO (TIN PLATED)	APPLICATION SPEC 114-20018	RESTRICTED TO -	
DIAM. ISOLANTE (INS. DIA. RANGE) 2.6 - 2.8		WEIGHT -		SIZE A2	
RANGO FILO (WIRE RANGE) 0.5-0.75		Customer Drawing		CAGE CODE 1	
		SCALE NO		DRAWING NO G-282042	
		SHEET 1		REV 78	

THIS DRAWING IS UNPUBLISHED. RELEASED FOR PUBLICATION
 COPYRIGHT copyright.dBTe- ALL RIGHTS RESERVED.

LOC		DIST		REVISIONS			
P	LTR	DESCRIPTION	DATE	DWN	APVD		
		SEE SHEET 1					

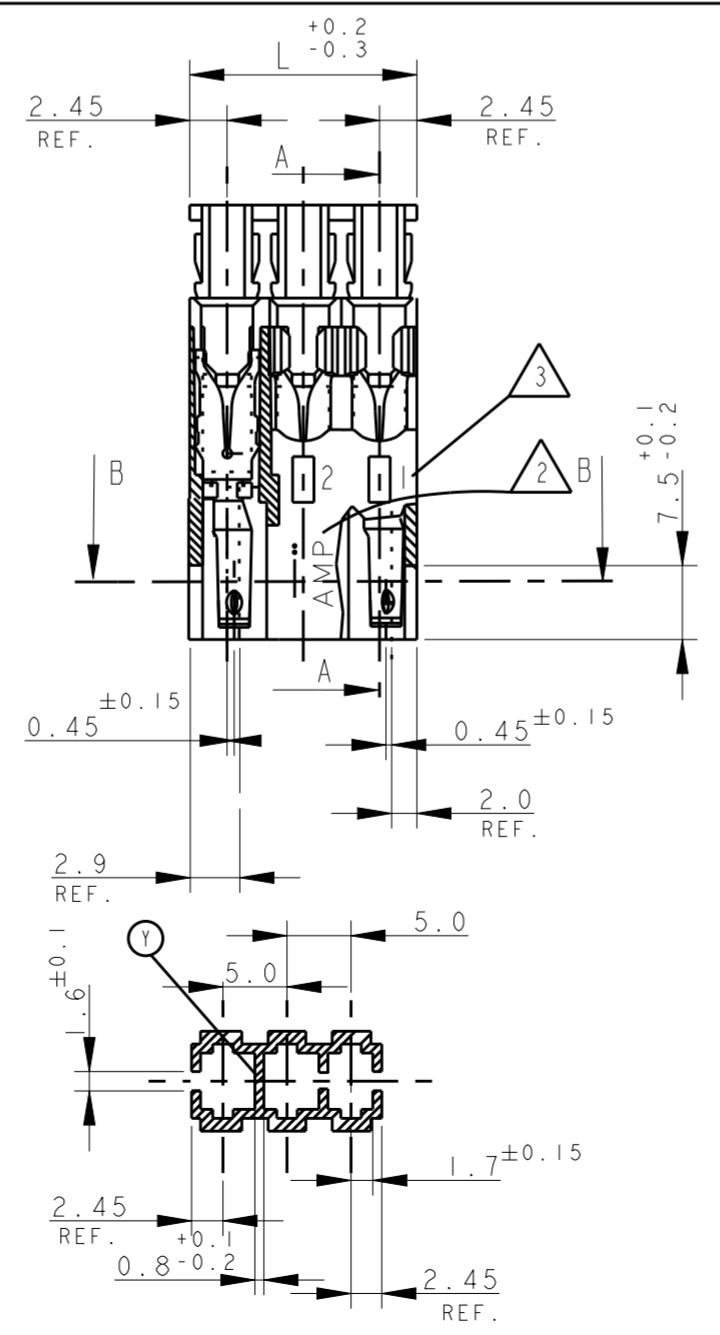
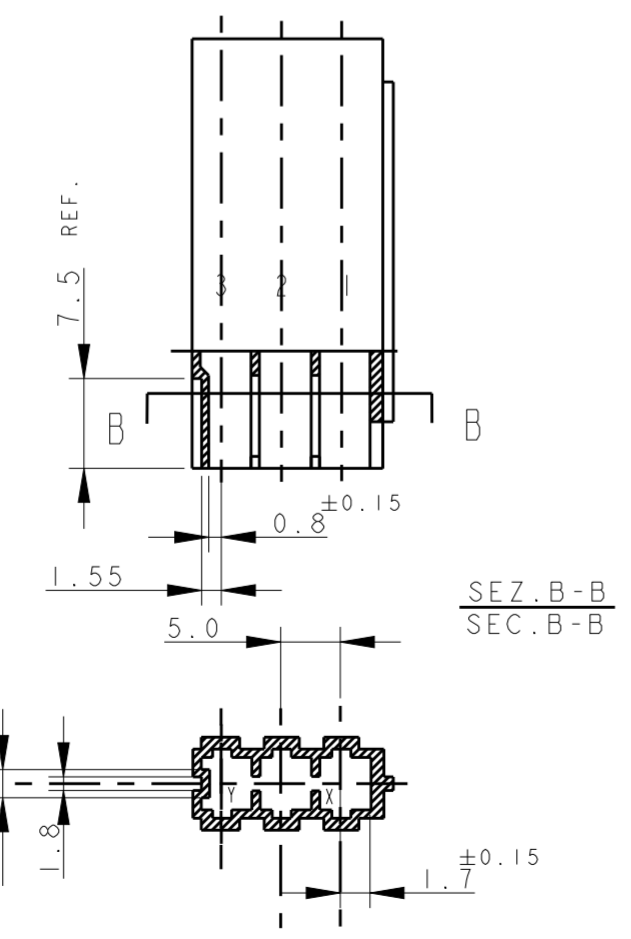
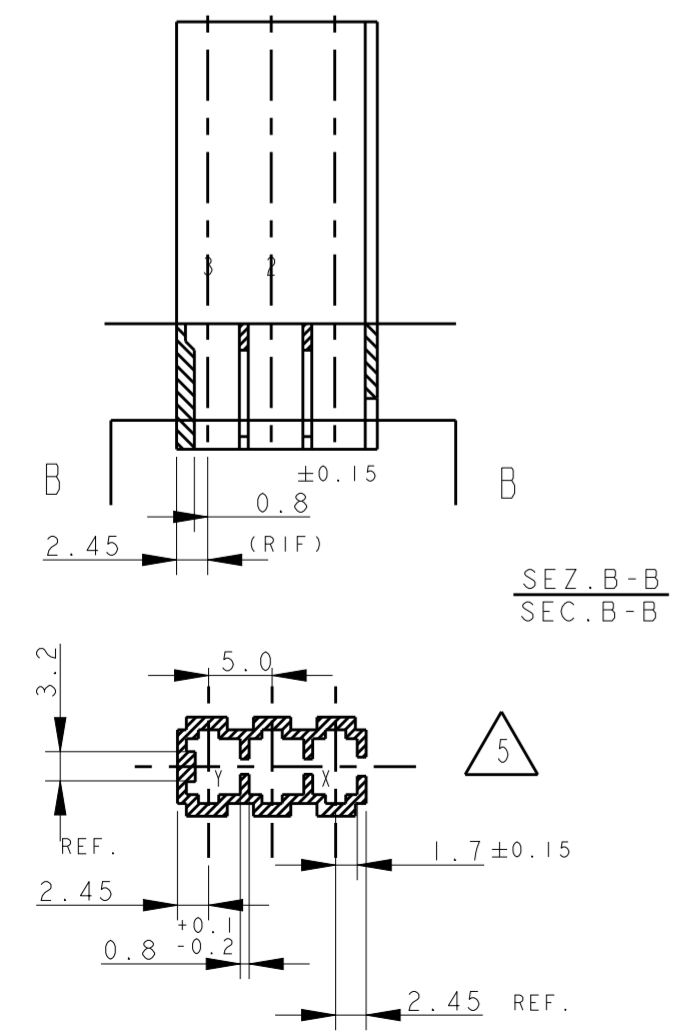


USCITA CAVI IN ALTO
(CABLE EXIT IS UP)

RAPPRESENTAZIONE GRAFICA DEI P/Ns:
(GRAPHICAL REPRESENTATION OF P/Ns:)
x-284546-1

RAPPRESENTAZIONE GRAFICA DEI P/Ns:
(GRAPHICAL REPRESENTATION OF P/Ns:)
x-282043-2 and x-282043-3

RAPPRESENTAZIONE GRAFICA DEI P/Ns:
(GRAPHICAL REPRESENTATION OF P/Ns:)
x-282235-2 and x-282235-3

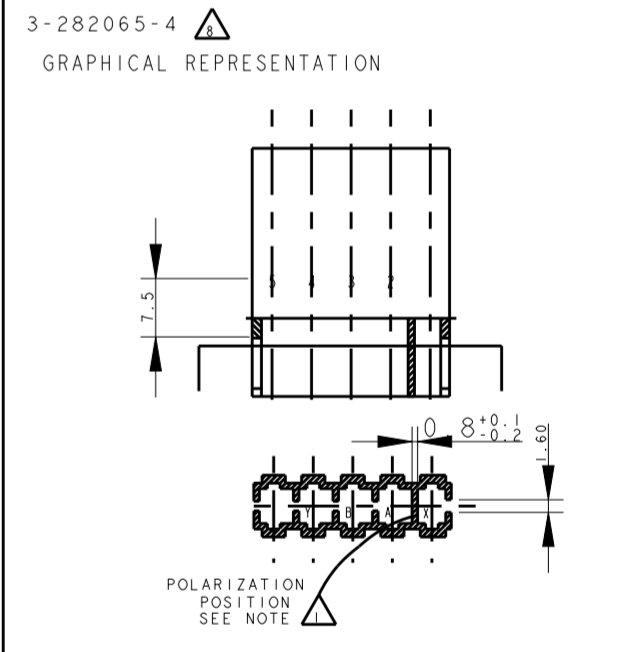
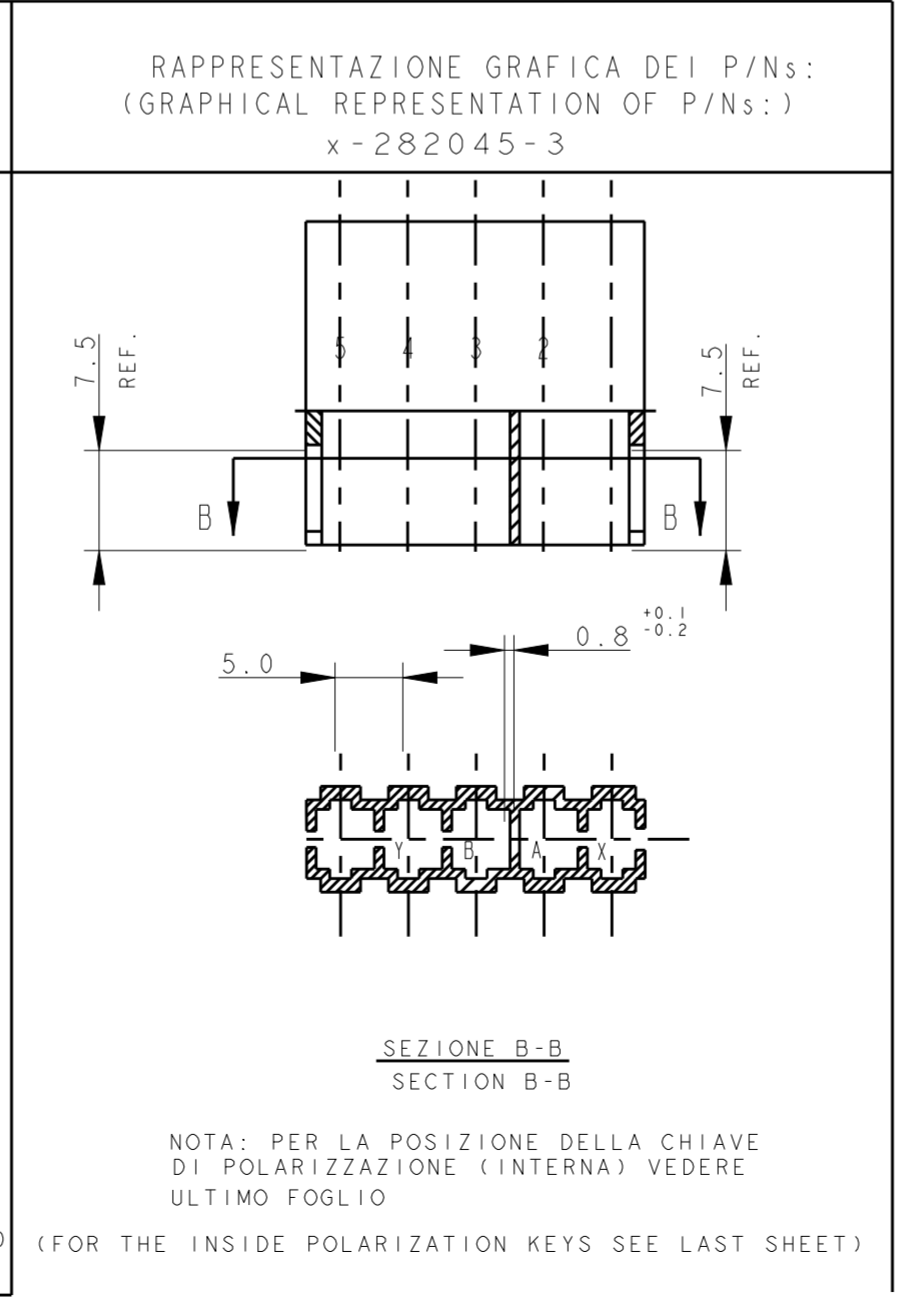
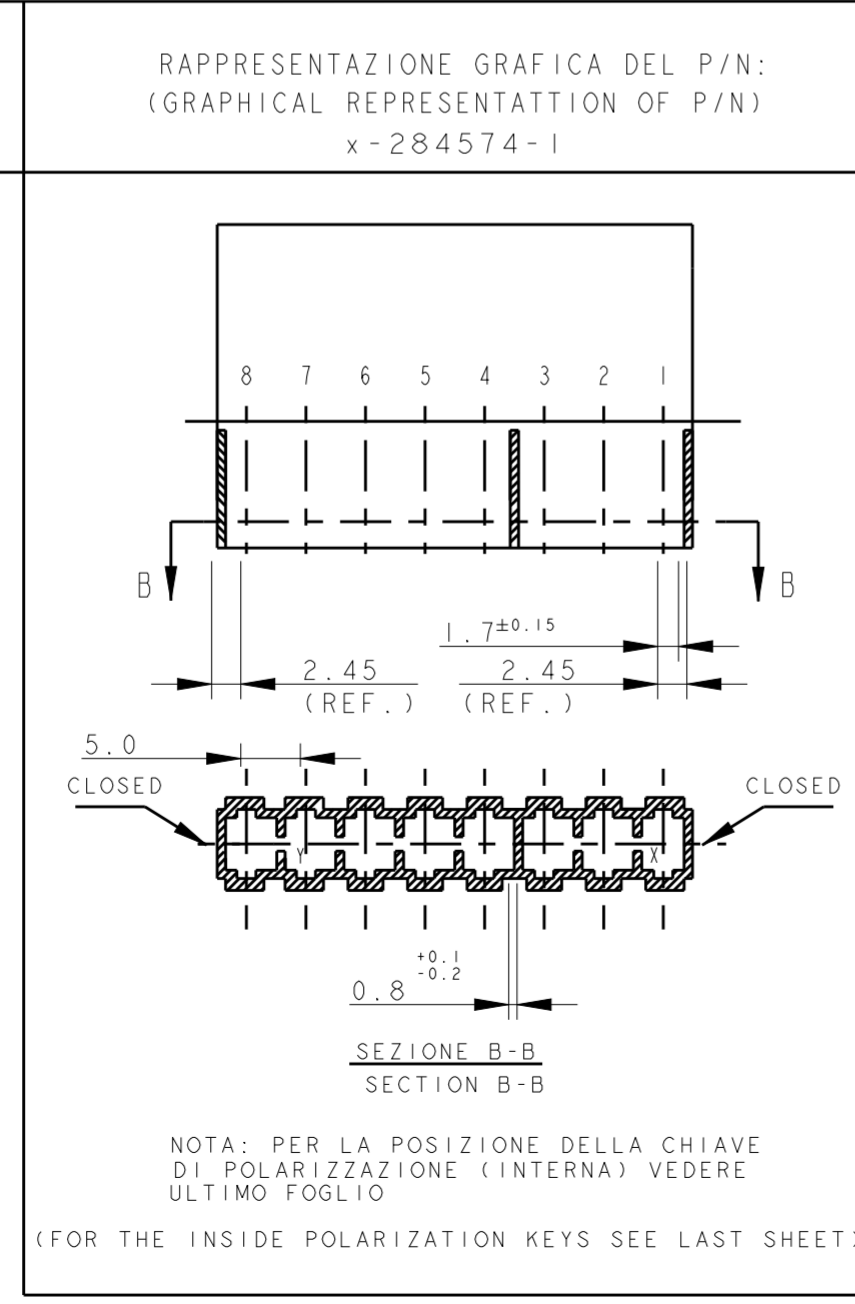
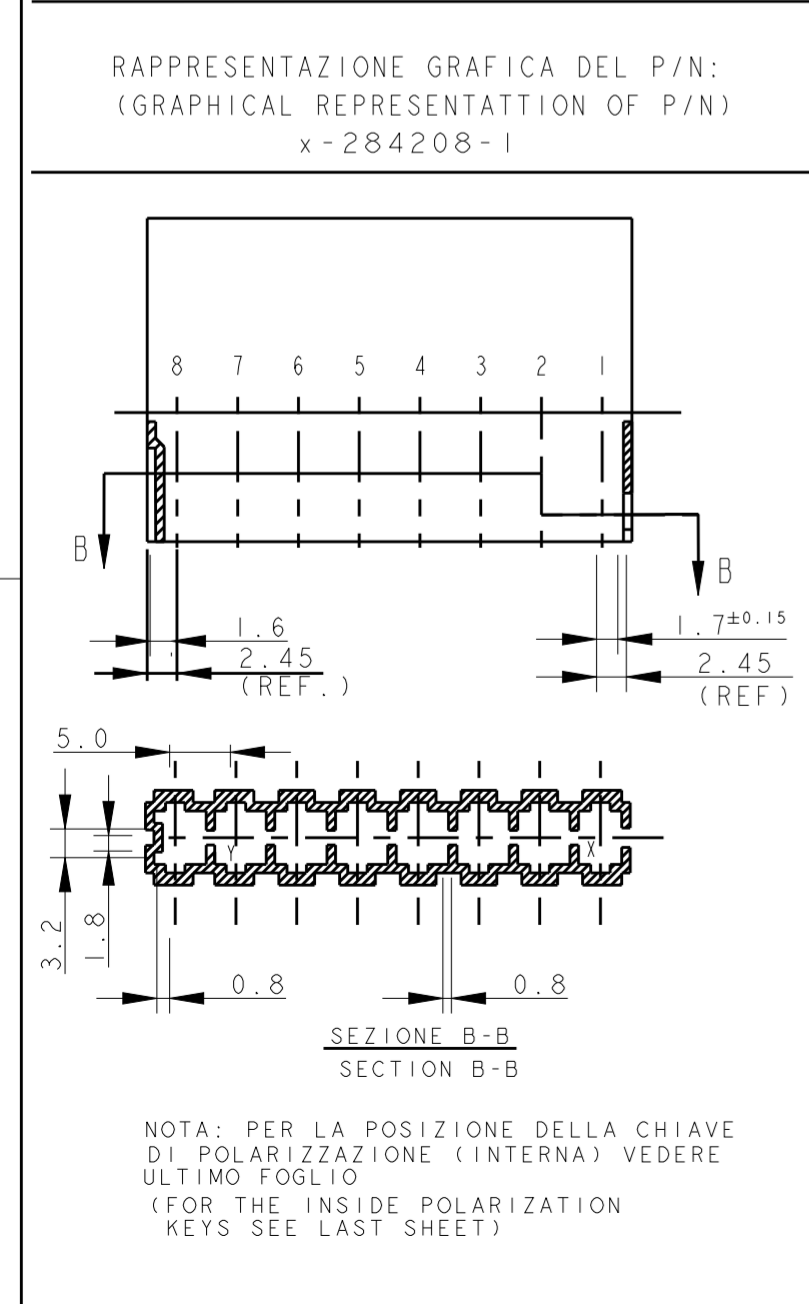
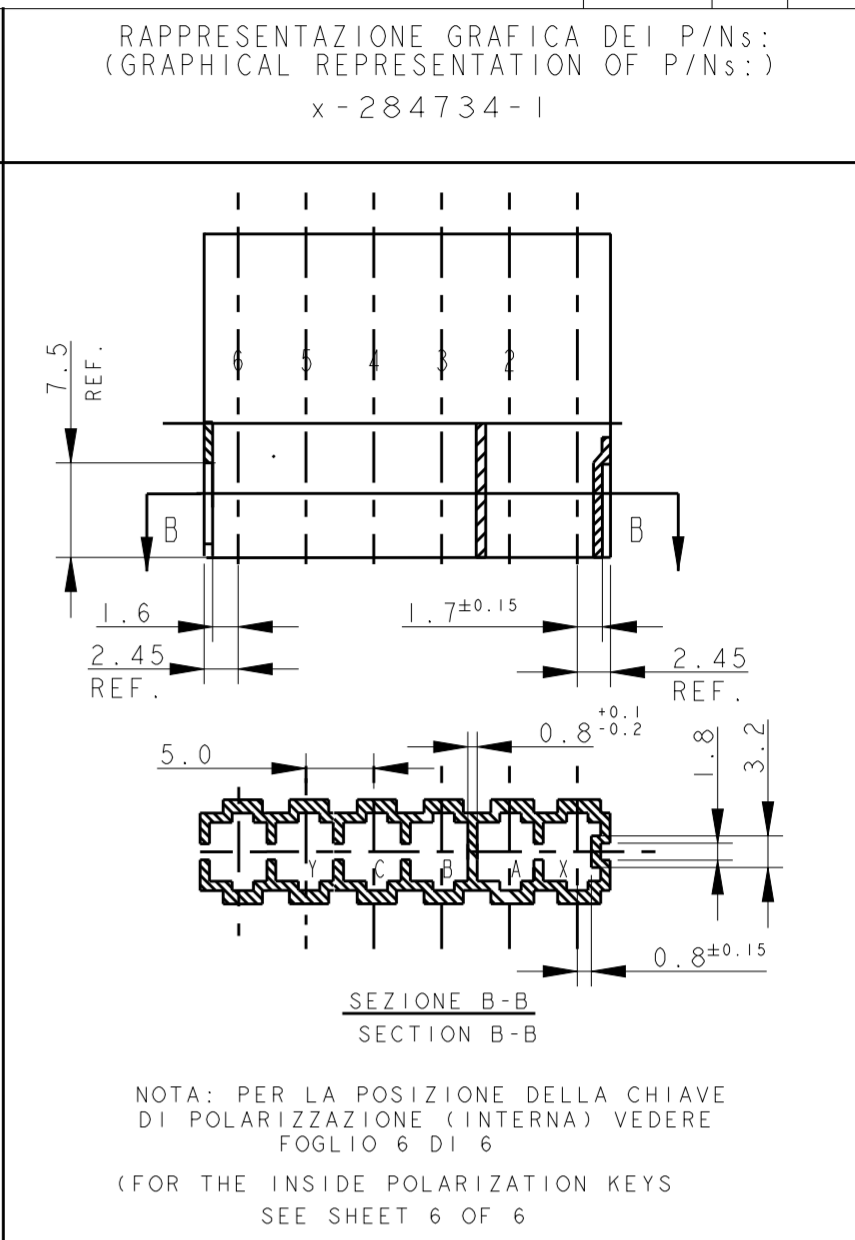
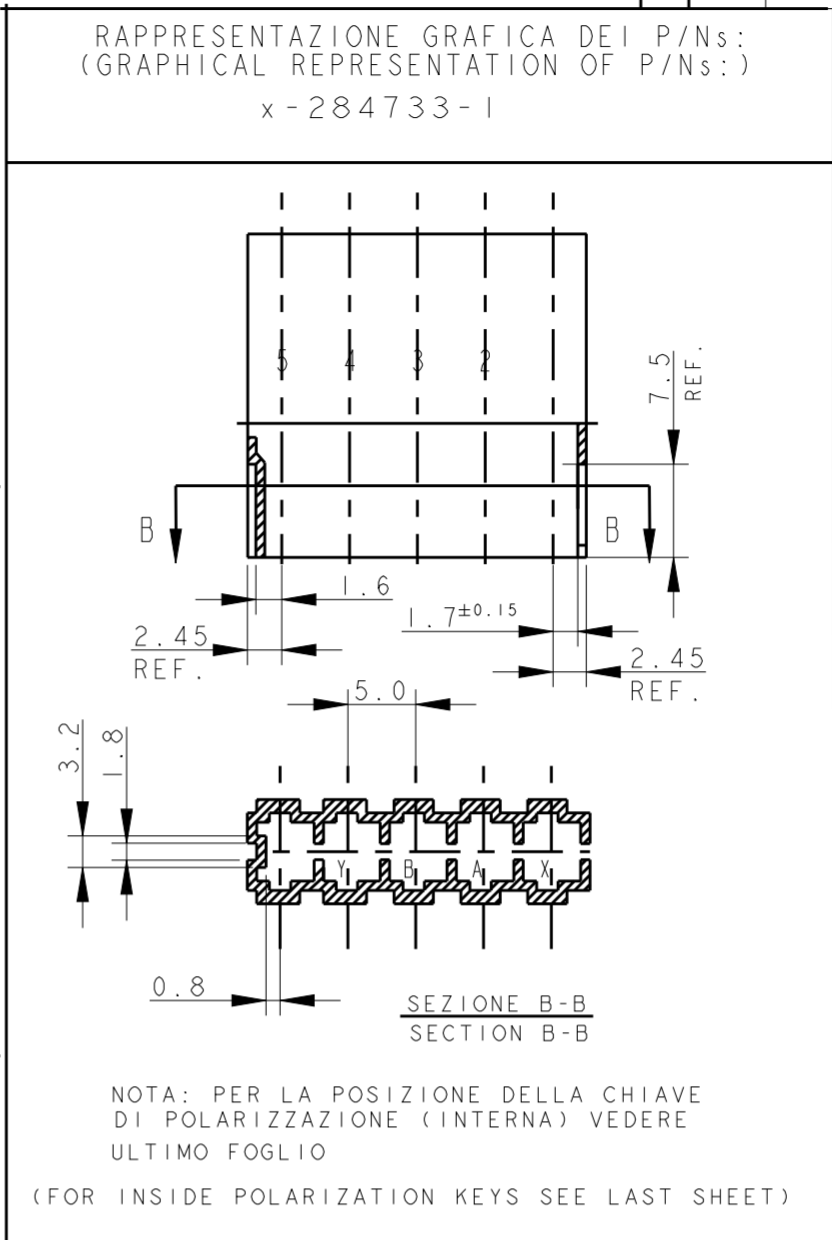
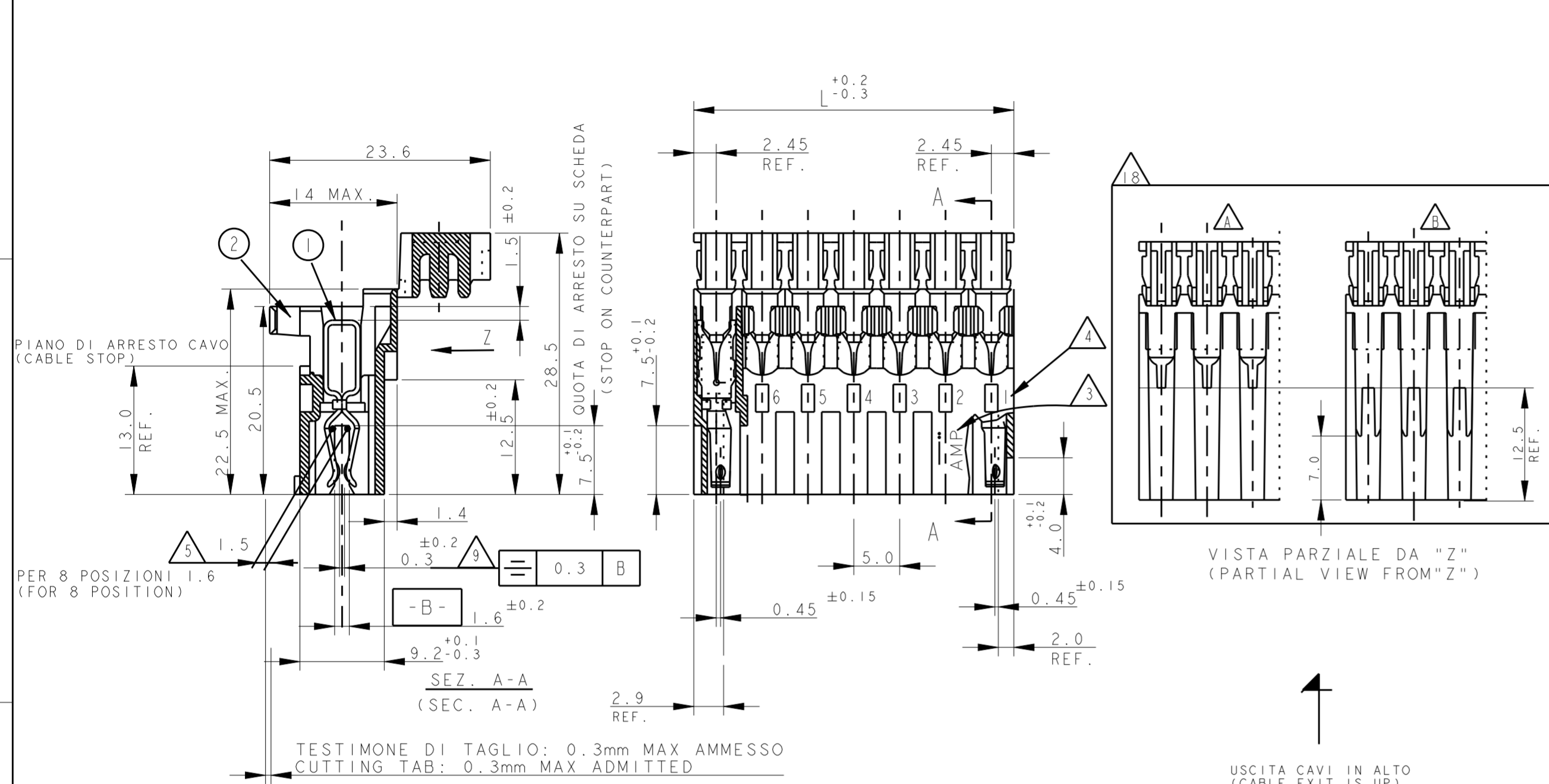


7) PER I NUMERI DI RIFERIMENTO DEI CONNETTORI VEDERE ULTIMO FOGLIO (FOR PN/S SEE LAST SHEET)
 10) PER LE DIMENSIONI DELLE DIME DEL CIRCUITO STAMPATO VEDERE FOGLIO 5 (FOR PCB LAYOUT AND DIMENSIONS SEE SHEET 5)

THIS DRAWING IS A CONTROLLED DOCUMENT.		DWN C. CORDOLA 23JUL1996	 TE Connectivity	NAME		MONO-SHAPE, MK1 PCB CONNECTOR 2-12 POS.		
DIMENSIONS: mm		CHK G. TURCO 23JUL1996		PRODUCT SPEC		SIZE	CAGE CODE	DRAWING NO
TOLERANCES UNLESS OTHERWISE SPECIFIED: 0 PLC ± 1 PLC ± 2 PLC ± 0.3 3 PLC ± 4 PLC ±		APVD G. TURCO 23JUL1996		APPLICATION SPEC		RESTRICTED TO		
MATERIAL CONNETTORE NYLON (CONNECTOR NYLON) CONTATTO OTTONE (CONTACT BRASS)		FINISH STAGNATO (TIN PLATED)		WEIGHT		A2	1	G-282042
Customer Drawing			SCALE	NO	SHEET	2	OF 8	
			REV	78				

THIS DRAWING IS UNPUBLISHED. RELEASED FOR PUBLICATION
 © COPYRIGHT copyright.d8re. ALL RIGHTS RESERVED.

REVISONS			DATE	DWN	APVD		
LOC	DIST	P	LTR	DESCRIPTION	DATE	DWN	APVD
-	-			SEE SHEET 1			



7) PER I NUMERI DI RIFERIMENTO DEI CONNETTORI VEDERE ULTIMO FOGLIO (FOR PN/S SEE LAST SHEET)



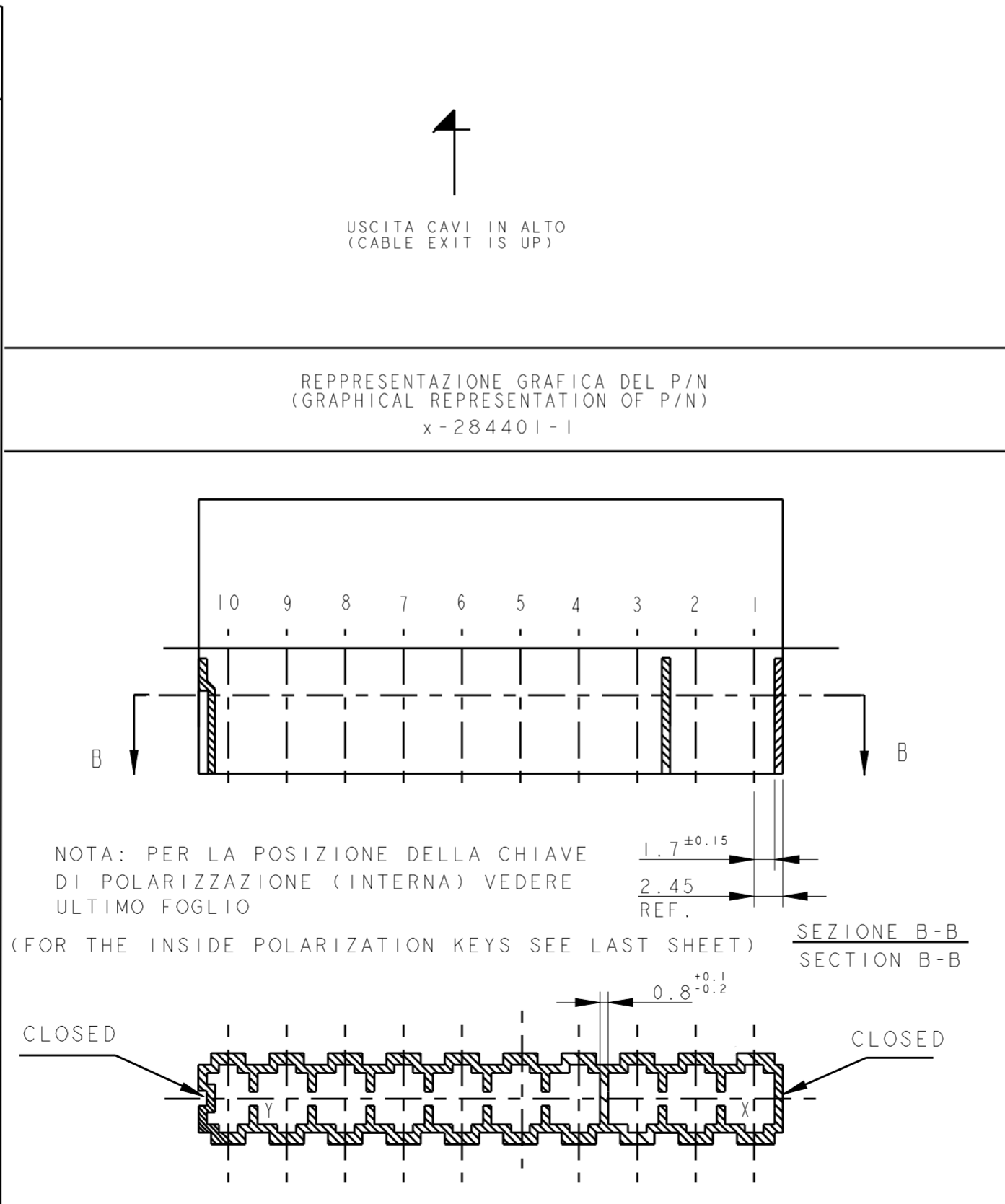
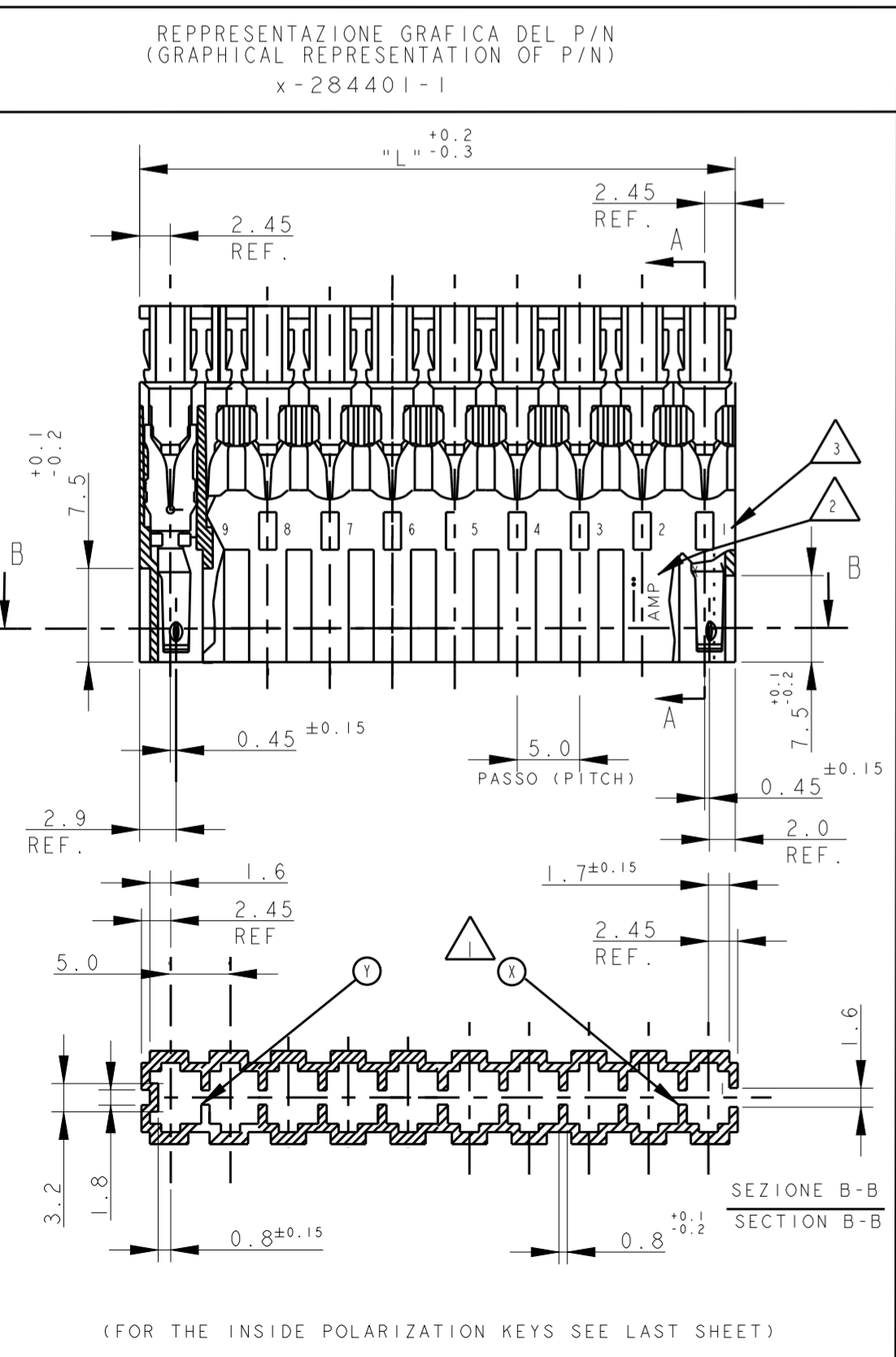
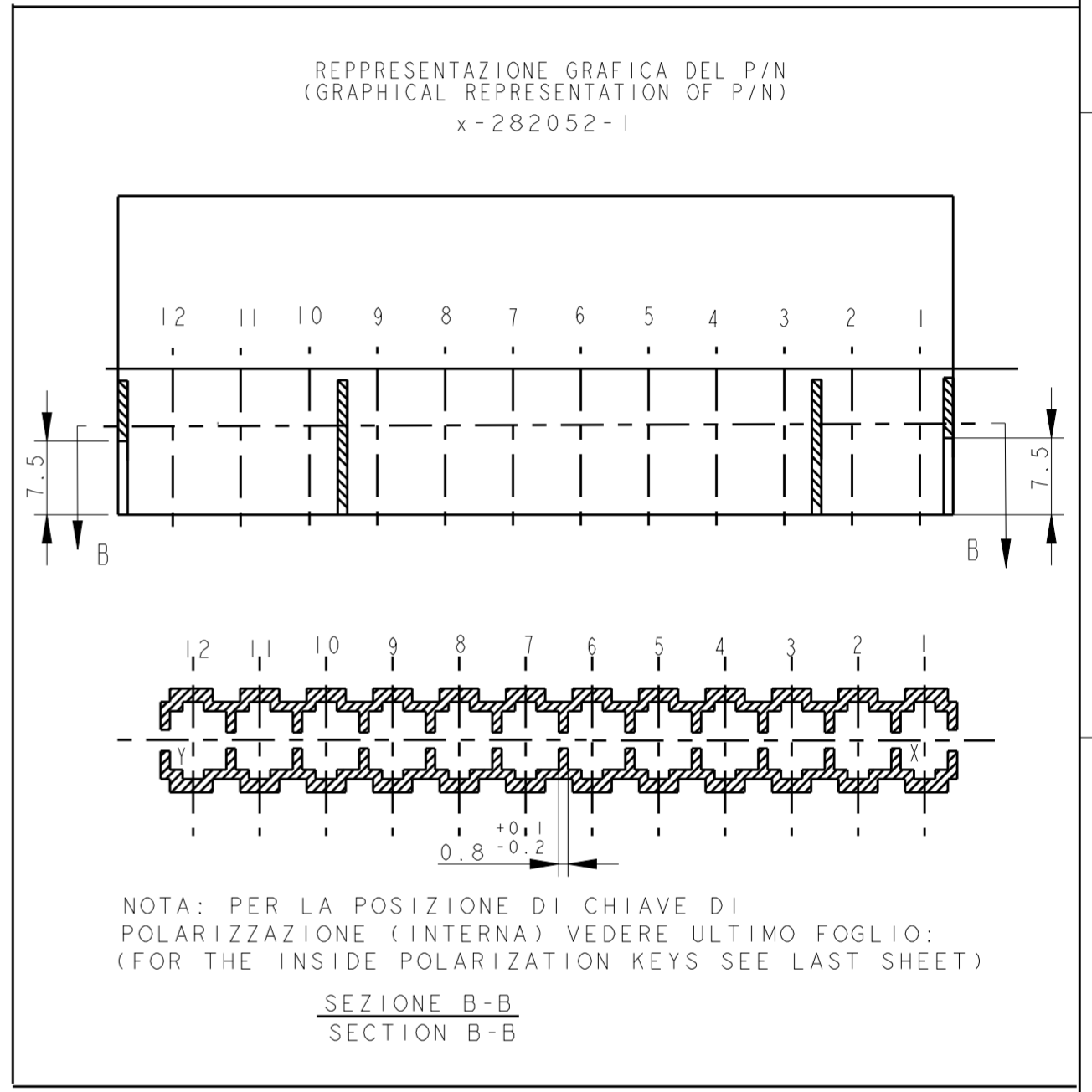
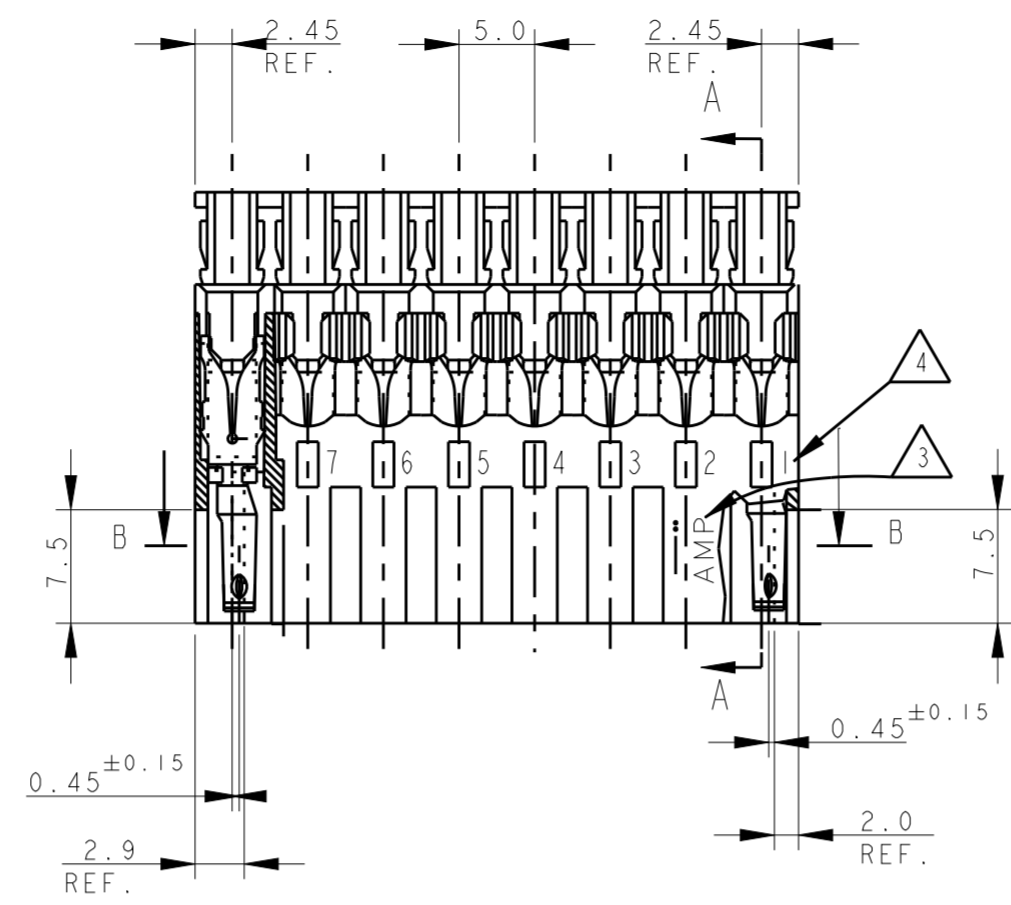
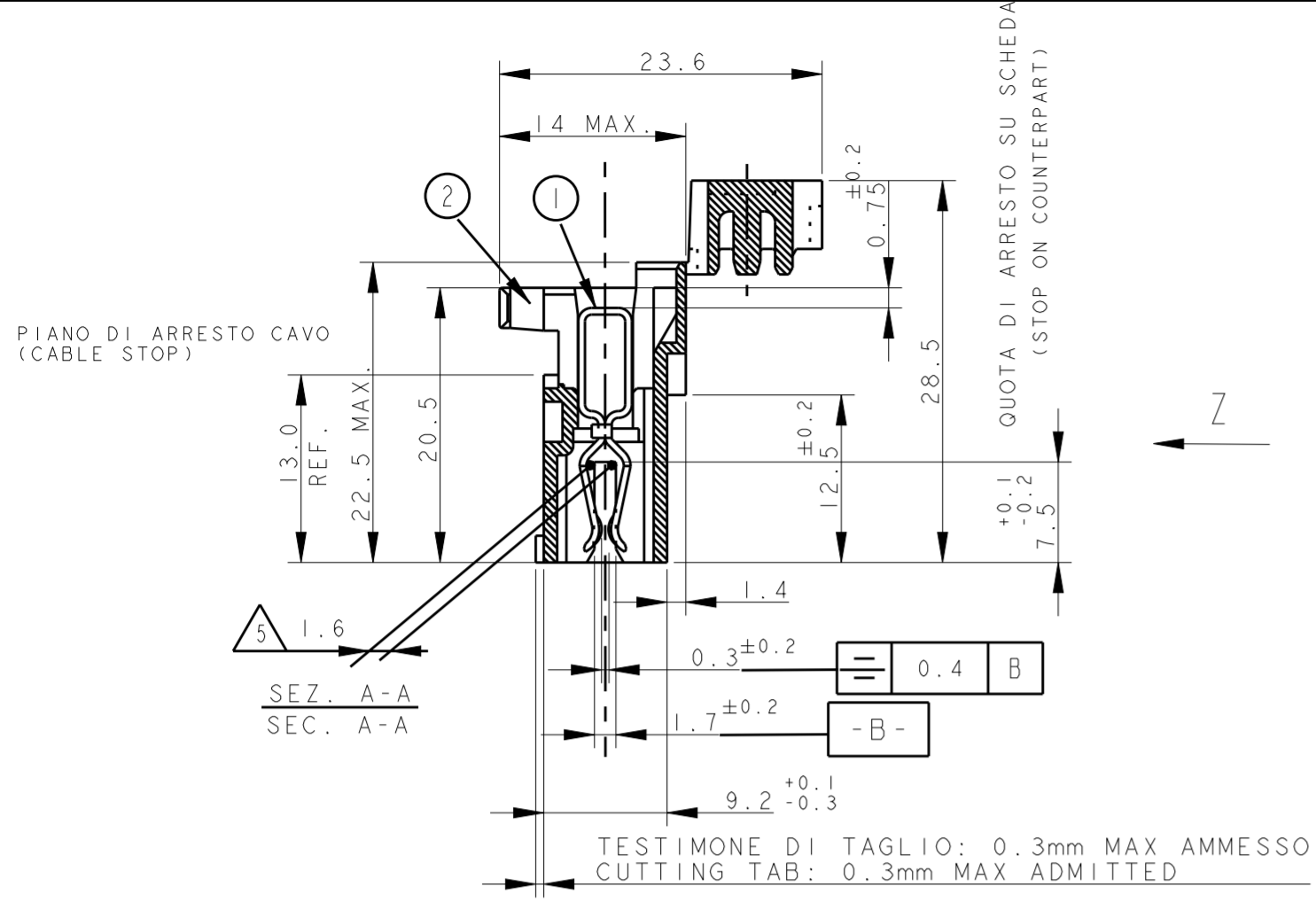
10) PER LE DIMENSIONI DELLE DIME DEL CIRCUITO STAMPATO VEDERE FOGLIO 5
(FOR PCB LAYOUT AND DIMENSIONS SEE SHEET 5)

18) PROFILO "A" E' VALIDO PER OGNI CONFIGURAZIONE, PROFILO "B" E' AMMESSO SOLO PER I PN IDENTIFICATI IN TABELLA DALLA PRESENTE NOTA
(SHAPE "A" VALID FOR EACH CONFIGURATION, SHAPE "B" IS PERMITTED ONLY ON PN WHERE THIS NOTE IS SHOWN ON RELEVANT DRAWING TABLE)

THIS DRAWING IS A CONTROLLED DOCUMENT.		DWN C. CORDOLA 23 JUL 1996	TE Connectivity MONO-SHAPE, MK1 PCB CONNECTOR 2-12 POS.	SIZE	CAGE CODE	DRAWING NO	RESTRICTED TO
DIMENSIONS:	TOLERANCES UNLESS OTHERWISE SPECIFIED:	CHK G. TURCO 23 JUL 1996		A2	1	G-282042	-
mm	0 PLC ± 1 PLC ± 2 PLC ± 3 PLC ± 4 PLC ± ANGLES ±2°	APVD G. TURCO 23 JUL 1996		WEIGHT	-	SCALE	NO
MATERIAL	CONNETTORE NYLON (CONNECTOR NYLON) CONTATTO OTTONE (CONTACT BRASS) FINISH STAGNATO (TIN PLATED)	PRODUCT SPEC 108-20067 APPLICATION SPEC 114-20018	Customer Drawing	REV 28			

THIS DRAWING IS UNPUBLISHED. RELEASED FOR PUBLICATION
 © COPYRIGHT copyright_d8fe- ALL RIGHTS RESERVED.

LOC		DIST		REVISIONS			
P	LTR	DESCRIPTION	DATE	DWN	APVD		
		SEE SHEET 1					



USCITA CAVI IN ALTO
(CABLE EXIT IS UP)

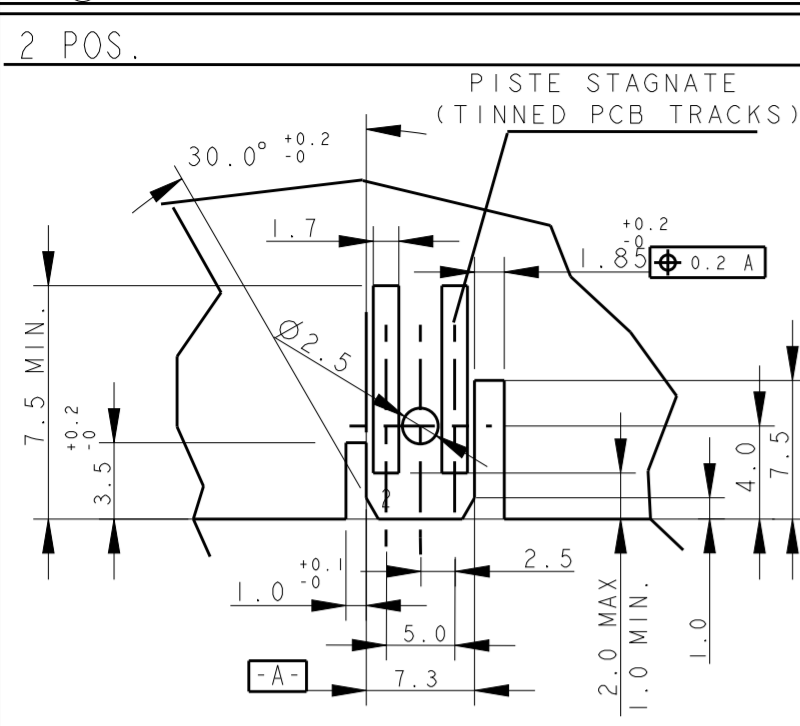
7) PER I NUMERI DI RIFERIMENTO DEI CONNETTORI VEDERE ULTIMO FOGLIO (FOR PN/S SEE LAST SHEET)

10) PER LE DIMENSIONI DELLE DIME DEL CIRCUITO STAMPATO VEDERE FOGLIO 5 (FOR PCB LAYOUT AND DIMENSIONS SEE SHEET 5)

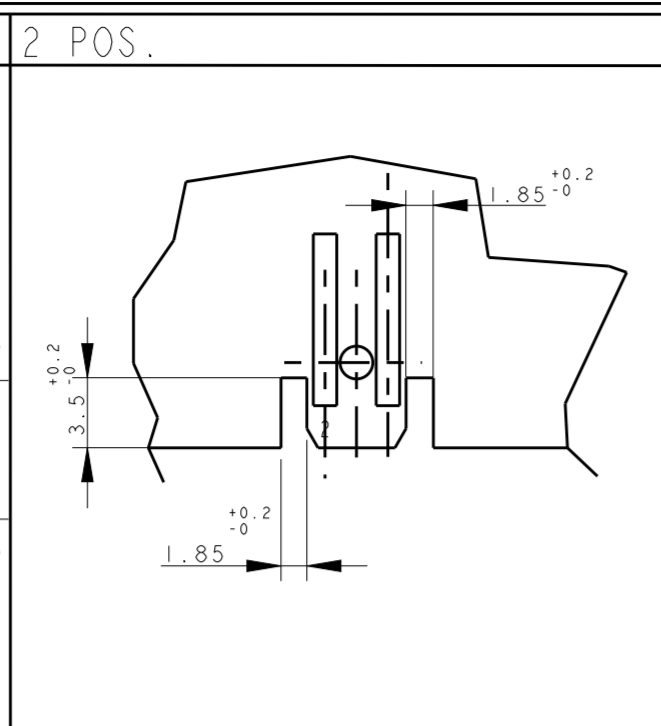
THIS DRAWING IS A CONTROLLED DOCUMENT.		DWN C. CORDOLA 23JUL1996	 TE Connectivity	NAME	
DIMENSIONS: mm		CHK G. TURCO 23JUL1996		MONO-SHAPE, MK1 PCB CONNECTOR 2-12 POS.	
TOLERANCES UNLESS OTHERWISE SPECIFIED:		APVD G. TURCO 23JUL1996	PRODUCT SPEC		
0 PLC ±		108-20067	APPLICATION SPEC		
1 PLC ±		114-20018	WEIGHT		
2 PLC ±			Customer Drawing		
3 PLC ±			SCALE NO		
4 PLC ±			SHEET 4 OF 8		
ANGLES ±2°			REV 78		
FINISH STAGNATO (TIN PLATED)					

THIS DRAWING IS UNPUBLISHED. RELEASED FOR PUBLICATION
 © COPYRIGHT copyright.d8Te- ALL RIGHTS RESERVED.

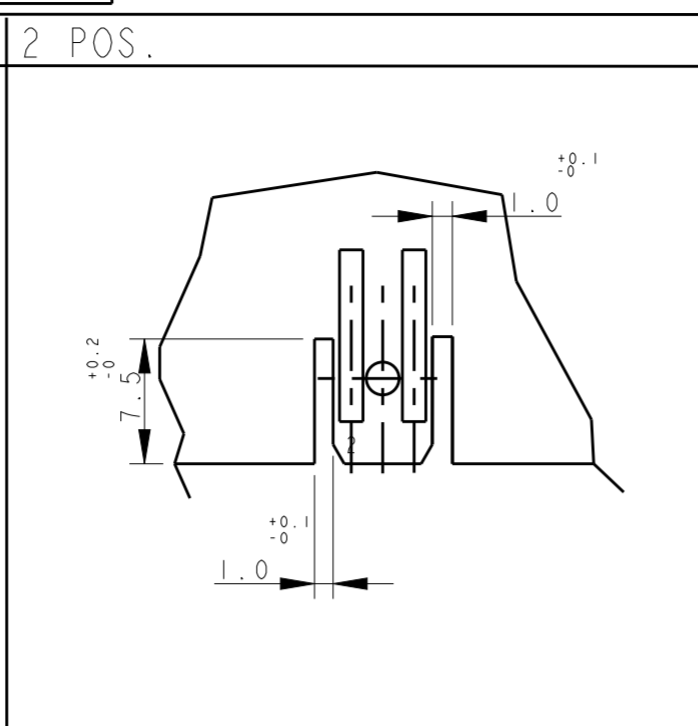
LOC		DIST		REVISIONS		
P	LTR	DESCRIPTION	DATE	DWN	APVD	
-	-	SEE SHEET 1				



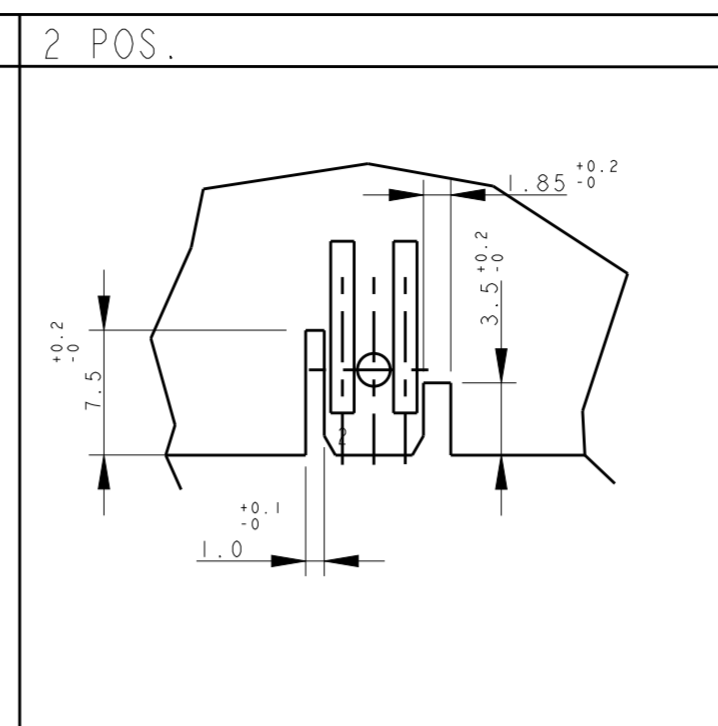
DIMA DEL PCB PER PN (PCB LAYOUT FOR PN.S)
x-282042-1



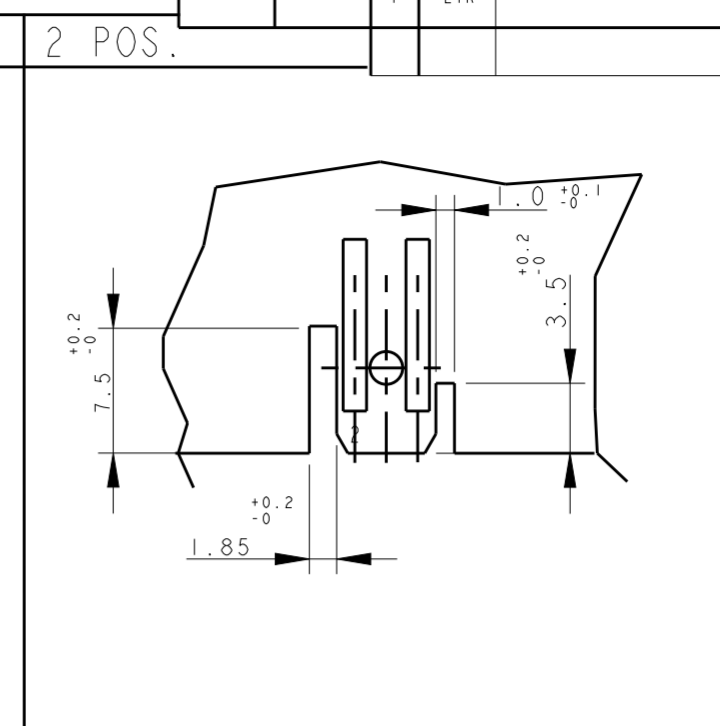
DIMA DEL PCB PER PN (PCB LAYOUT FOR PN.S)
x-282042-2



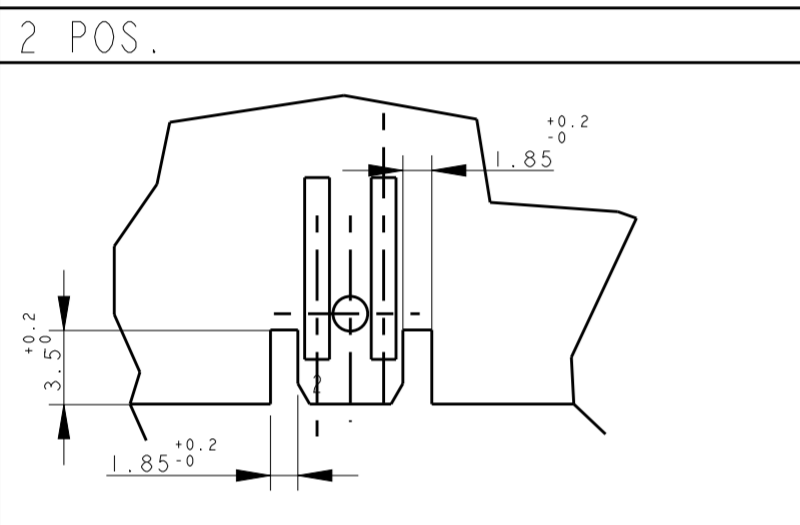
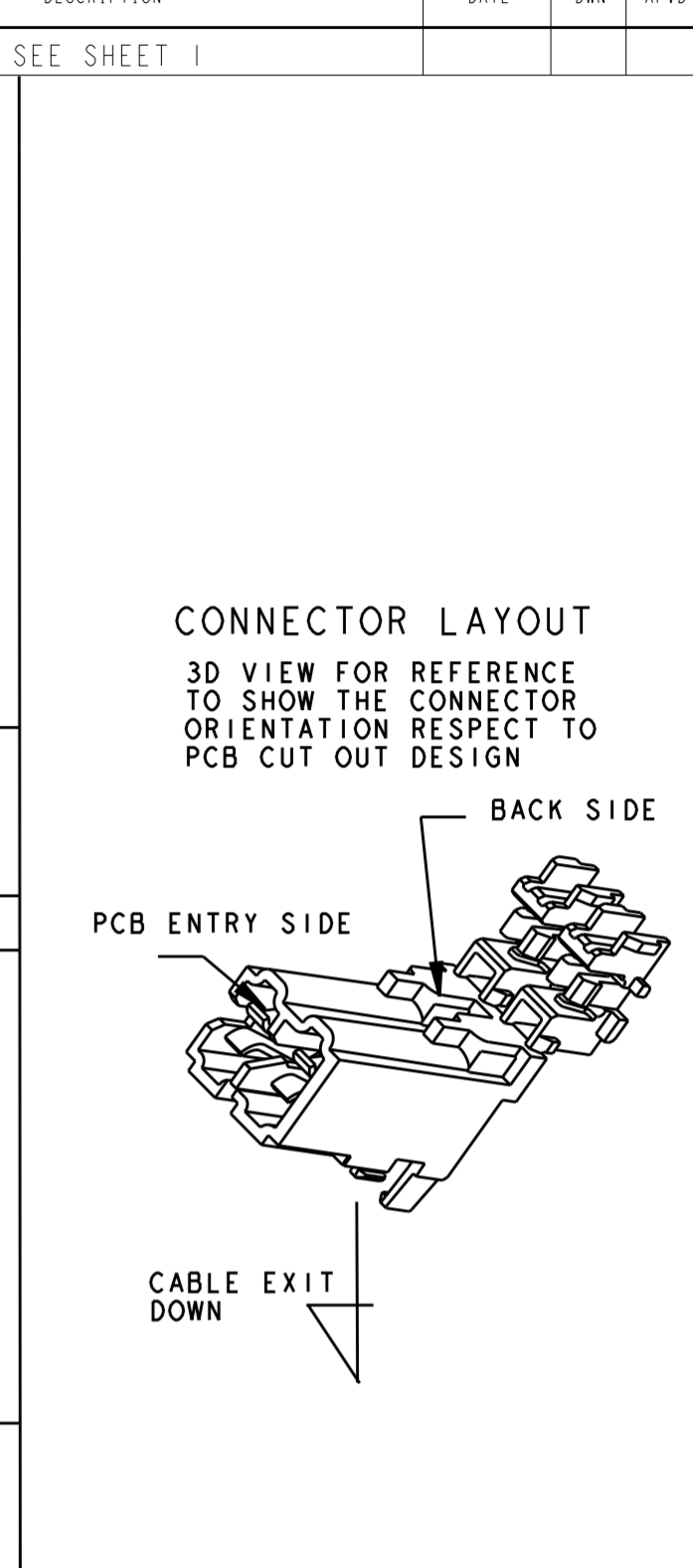
DIMA DEL PCB PER PN (PCB LAYOUT FOR PN.S)
x-282042-3



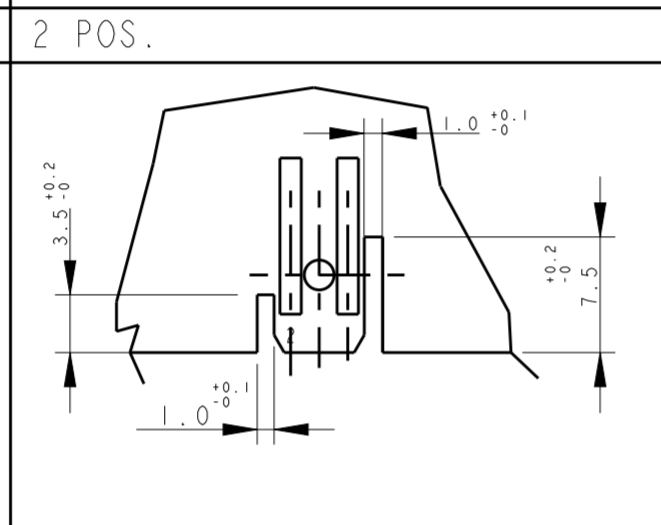
DIMA DEL PCB PER PN (PCB LAYOUT FOR PN.S)
x-282042-4



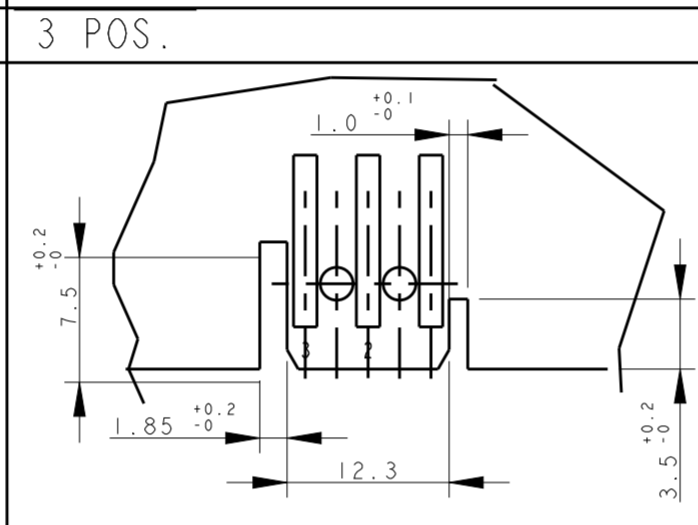
DIMA DEL PCB PER PN (PCB LAYOUT FOR PN.S)
x-282042-5



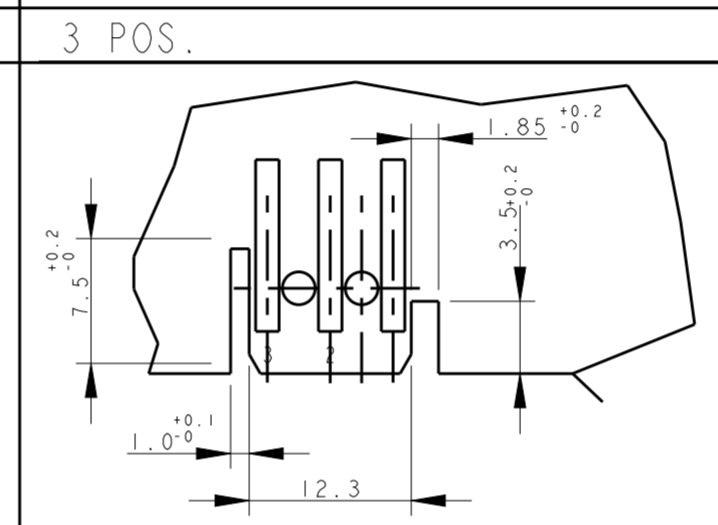
DIMA DEL PCB PER PN (PCB LAYOUT FOR PN.S)
x-284561-1



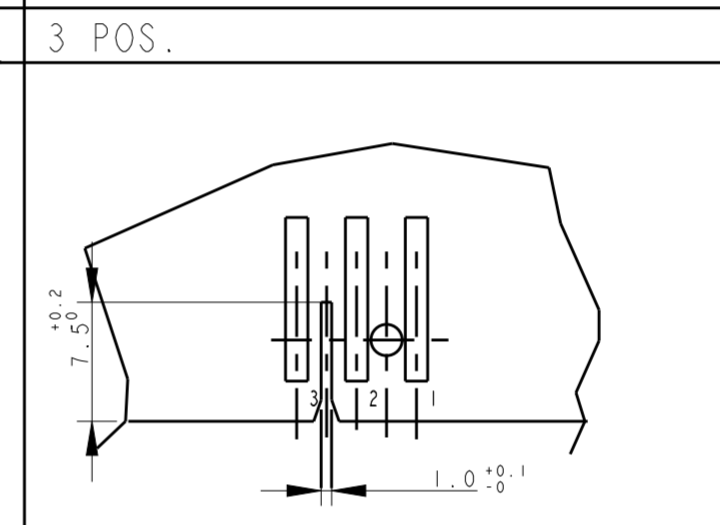
DIMA DEL PCB PER PN (PCB LAYOUT FOR PN.S)
x-282042-6



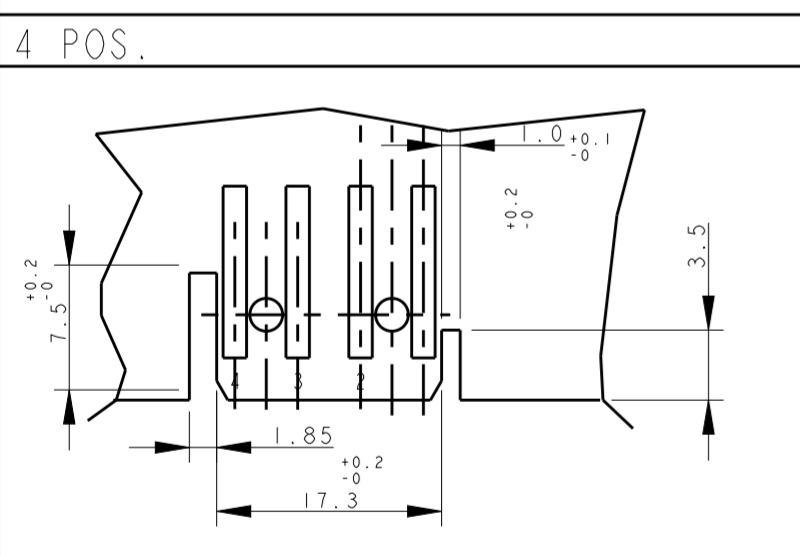
DIMA DEL PCB PER PN (PCB LAYOUT FOR PN.S)
x-282043-2 and x-282043-3



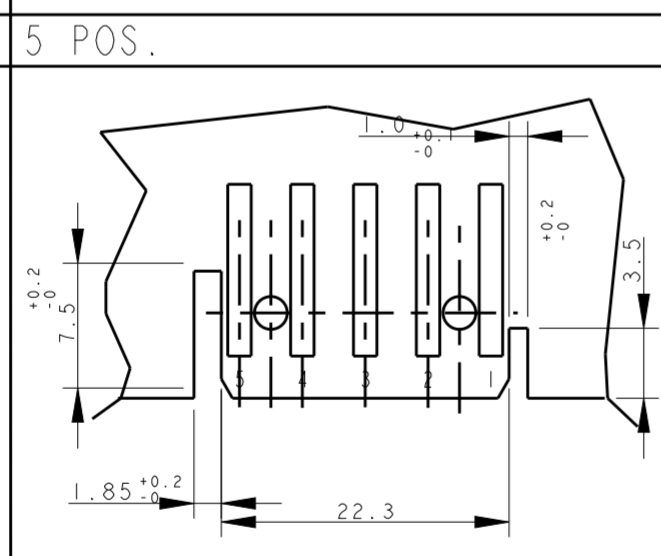
DIMA DEL PCB PER PN (PCB LAYOUT FOR PN.S)
x-282235-2 and x-282235-3



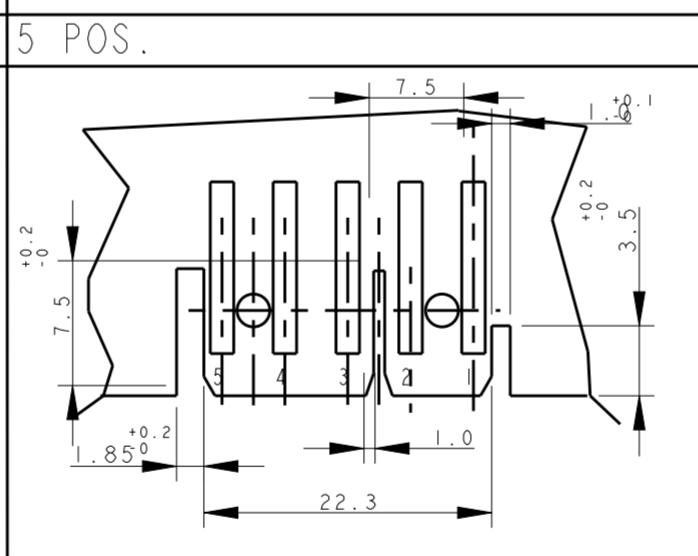
DIMA DEL PCB PER PN (PCB LAYOUT FOR PN.S)
x-284546-1



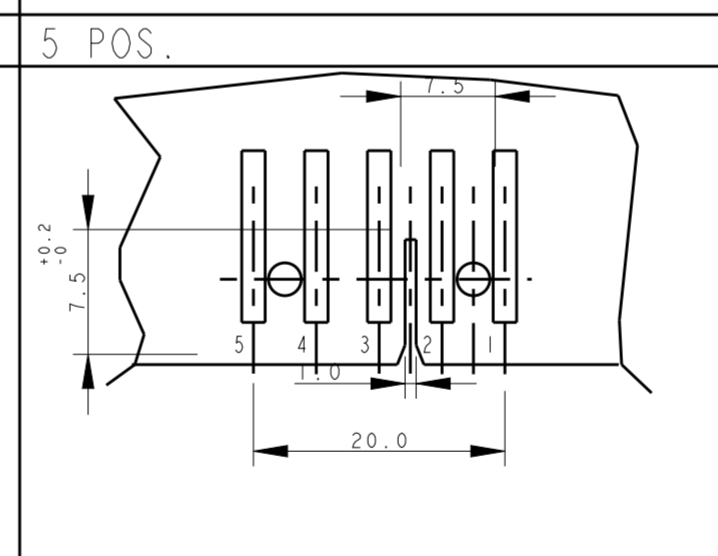
DIMA DEL PCB PER PN (PCB LAYOUT FOR PN.S)
x-282044-1



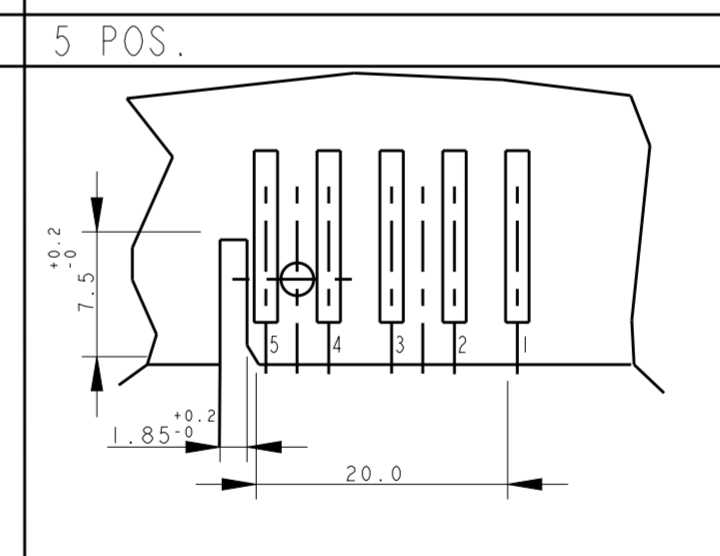
DIMA DEL PCB PER PN (PCB LAYOUT FOR PN.S)
x-282045-1



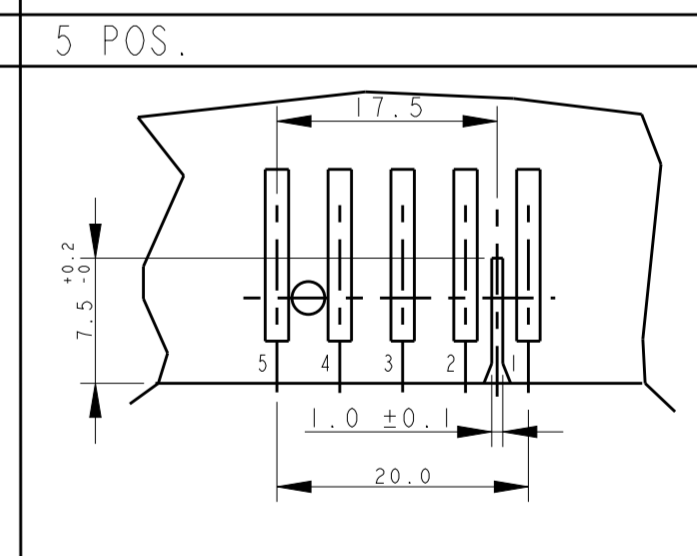
DIMA DEL PCB PER PN (PCB LAYOUT FOR PN.S)
x-282045-2



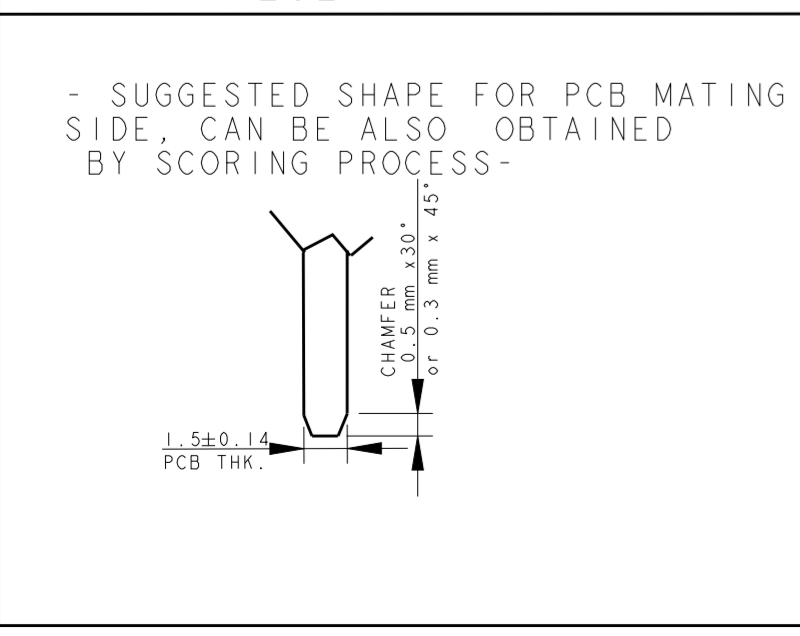
DIMA DEL PCB PER PN (PCB LAYOUT FOR PN.S)
x-282045-3



DIMA DEL PCB PER PN (PCB LAYOUT FOR PN.S)
x-284733-1



PCB LAYOUT FOR PN.S
3-282045-4
2293372-5



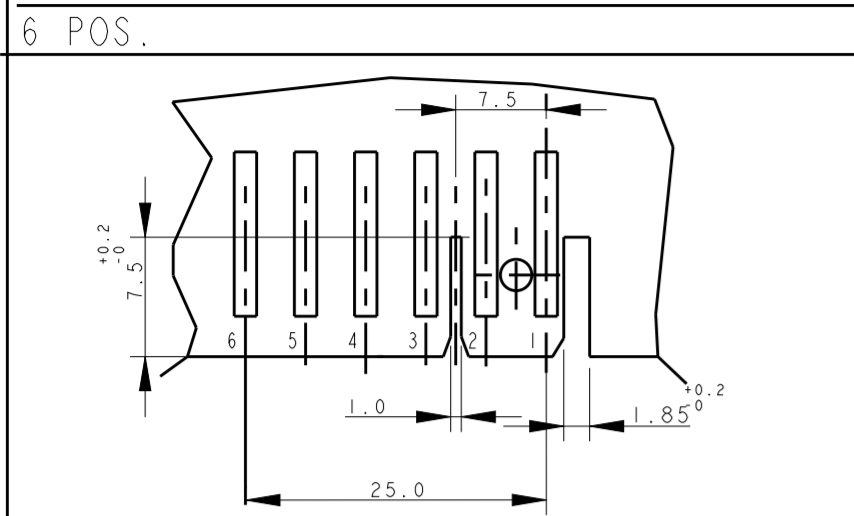
1) LE DIMENSIONI TIPICHE RIFERITE ALLE GEOMETRIE COMUNI A TUTTE LE DIME SONO INDICATE SOLO NEL DETTAGLIO RELATIVO AL PN 1-282042.
(PCB GEOMETRY TYPICAL DIMENSIONS ARE SHOWN ON SKETCH FOR PN 1-282042-1)

2) LE DIME DEI PCB ACCOPPIANO CON I CONNETTORI INSERITI CO USCITA CAVI VERSO IL BASSO
(PCB LAYOUT AS SHOWN WILL MATE WITC CONNECTORS HAVING CABLE EXIT DOWN)

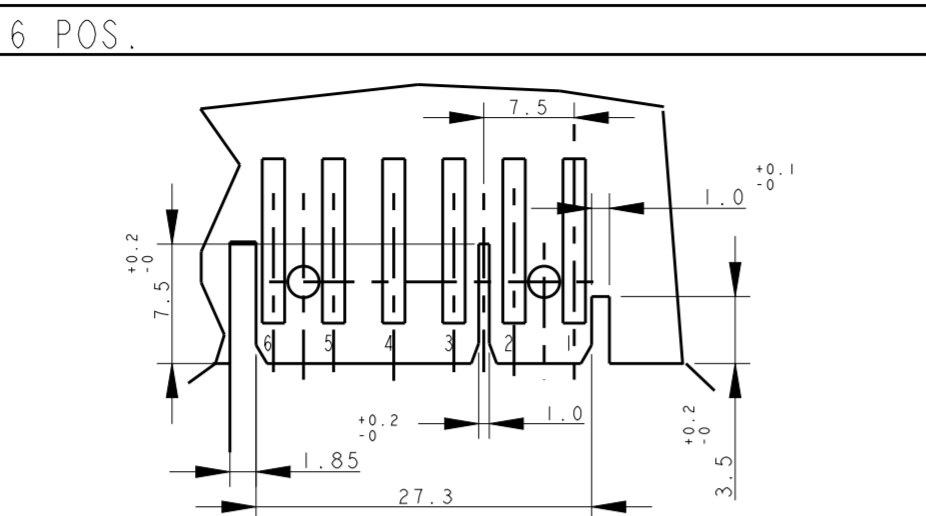
THIS DRAWING IS A CONTROLLED DOCUMENT.		DWN C. CORDOLA 23 JUL 1996	STE TE Connectivity	
DIMENSIONS: mm		CHK G. TURCO 23 JUL 1996	NAME MONO-SHAPE, MK1 PCB CONNECTOR 2-12 POS.	
TOLERANCES UNLESS OTHERWISE SPECIFIED: 0 PLC ± 1 PLC ± 2 PLC ± 3 PLC ± 4 PLC ± ANGLES ±2°		APVD G. TURCO 23 JUL 1996	PRODUCT SPEC 108-20067	
MATERIAL CONNETTORE NYLON (CONNECTOR NYLON) CONTATTO OTTONE (CONTACT BRASS)		FINISH STAGNATO (TIN PLATED)	APPLICATION SPEC 114-20018	
		WEIGHT -	SIZE A2	CAGE CODE 1
		Customer Drawing	DRAWING NO G-282042	RESTRICTED TO -
		SCALE NO	SHEET 5	OF 8
			REV 78	

THIS DRAWING IS UNPUBLISHED. RELEASED FOR PUBLICATION
 © COPYRIGHT copyright.dBTe- ALL RIGHTS RESERVED.

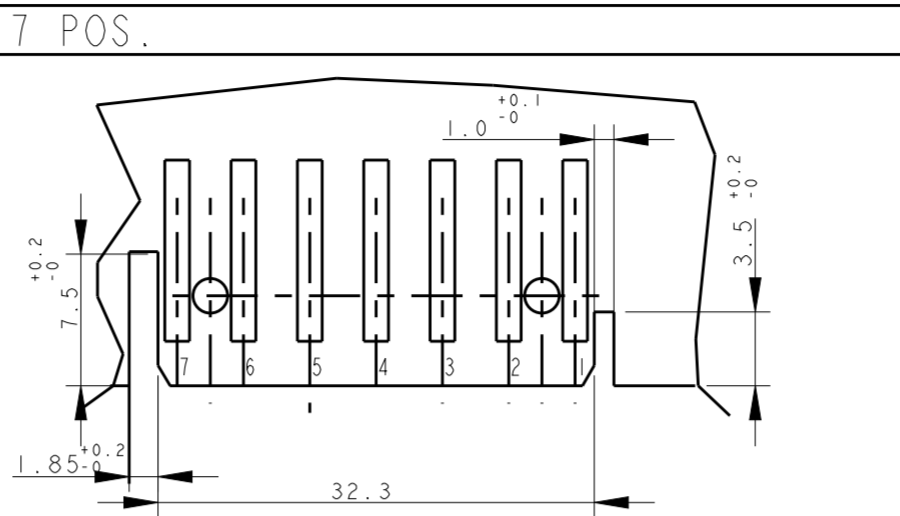
LOC		DIST		REVISIONS			
P	LTR	DESCRIPTION	DATE	DWN	APVD		
SEE SHEET 1							



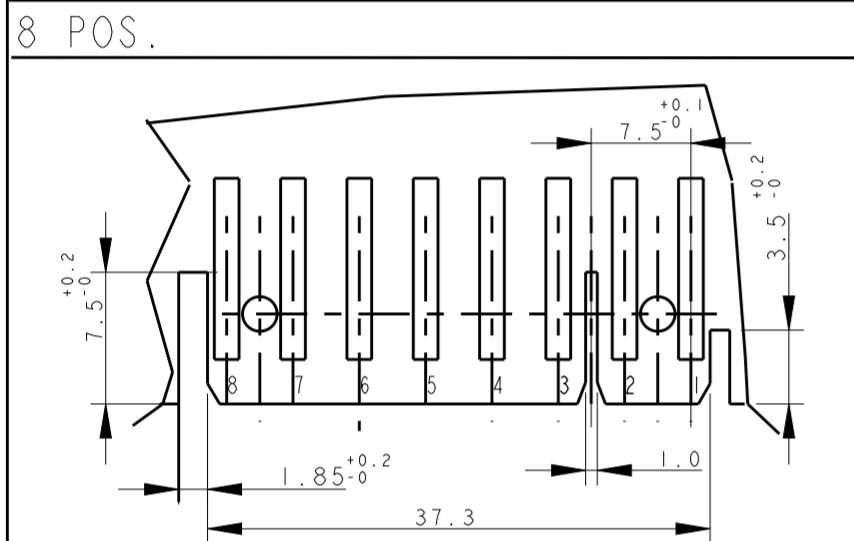
DIMA DEL PCB PER PN
 (PCB LAYOUT FOR PN.S)
 x-284734-1



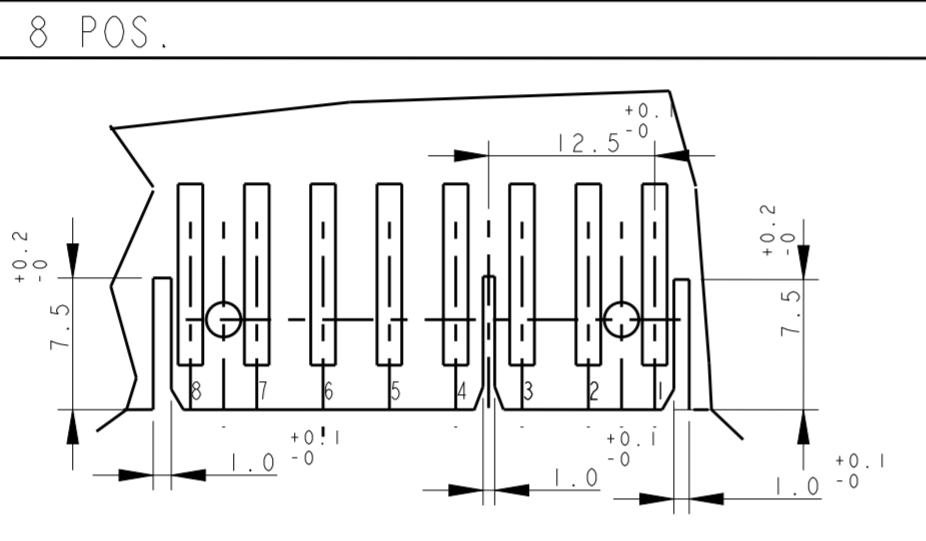
DIMA DEL PCB PER PN
 (PCB LAYOUT FOR PN.S)
 x-282046-1



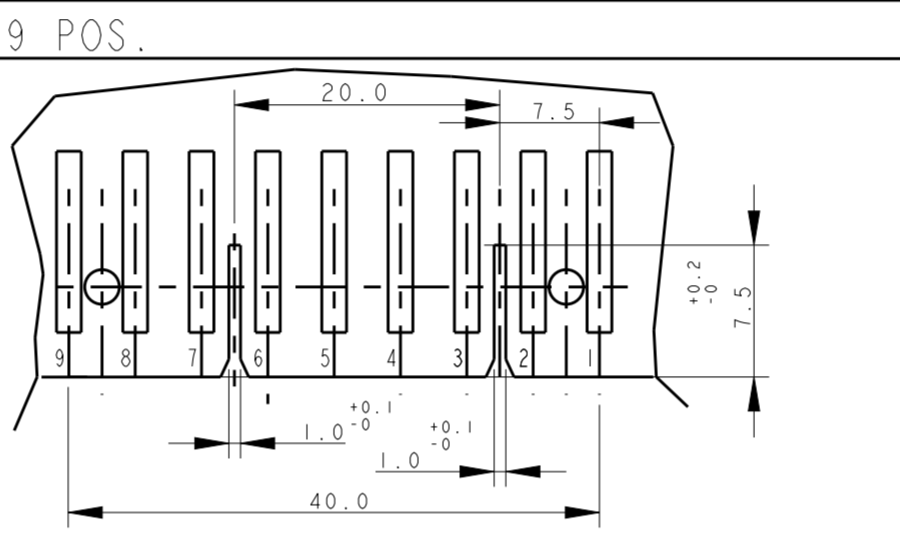
DIMA DEL PCB PER PN
 (PCB LAYOUT FOR PN.S)
 x-282047-1 and 2293372-7



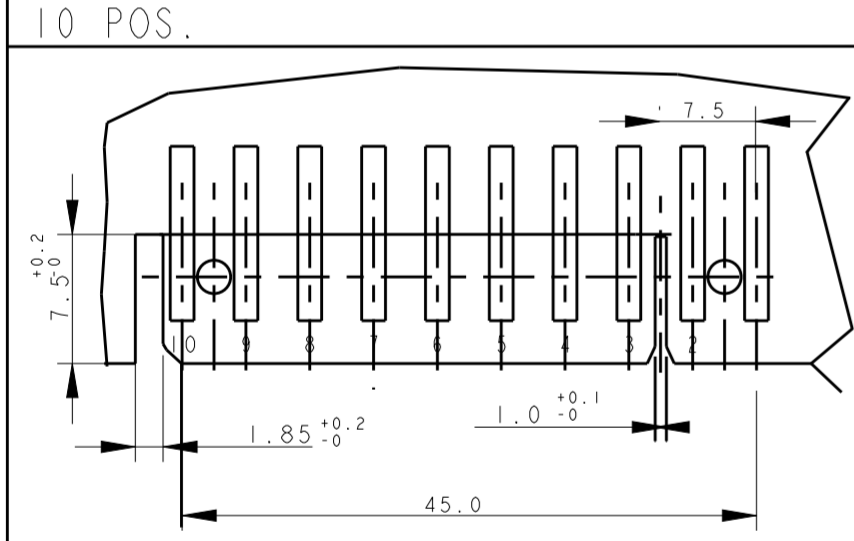
DIMA DEL PCB PER PN
 (PCB LAYOUT FOR PN.S)
 x-284208-1



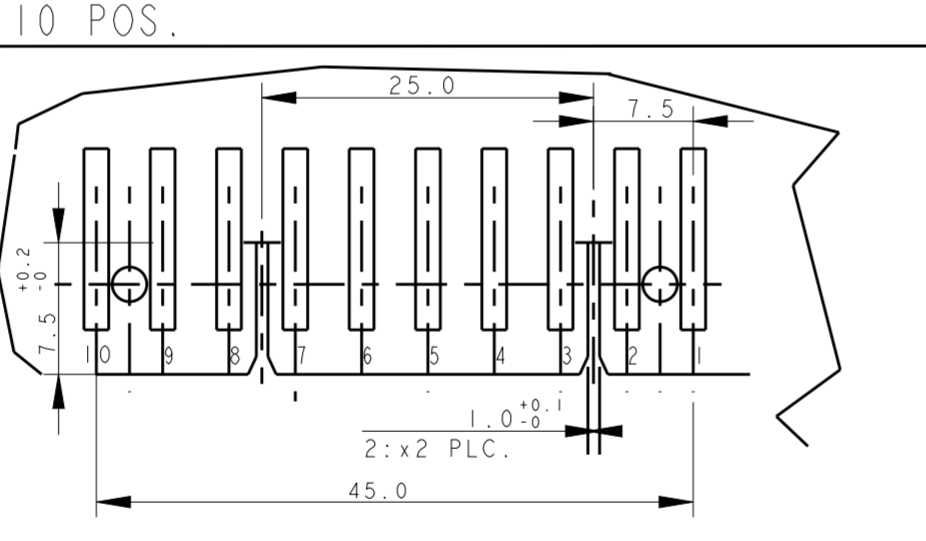
DIMA DEL PCB PER PN
 (PCB LAYOUT FOR PN.S)
 x-284574-1



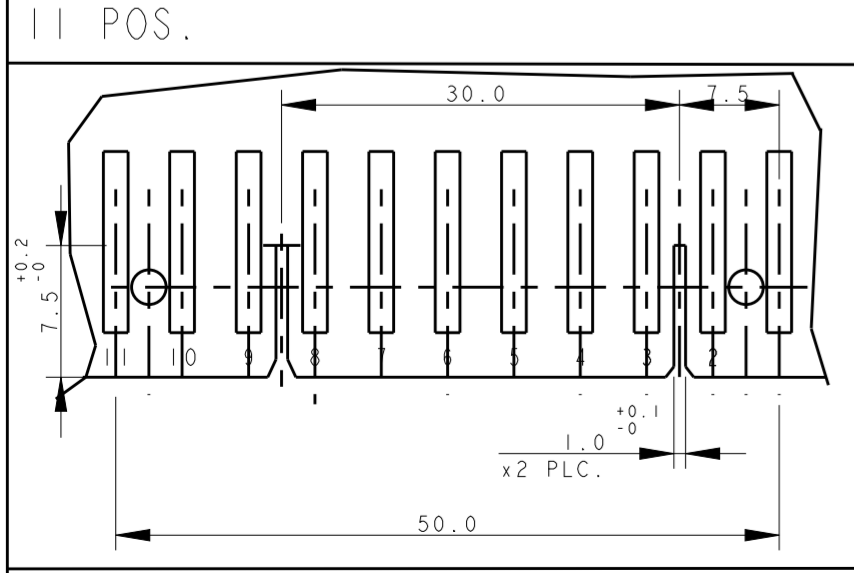
DIMA DEL PCB PER PN
 (PCB LAYOUT FOR PN.S)
 x-282049-1



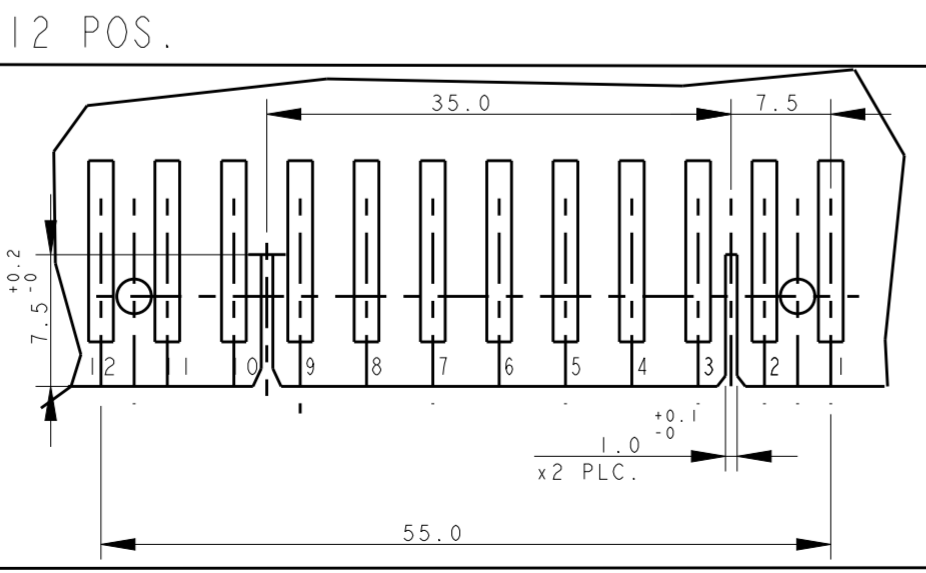
DIMA DEL PCB PER PN
 (PCB LAYOUT FOR PN.S)
 x-284401-x



DIMA DEL PCB PER PN
 (PCB LAYOUT FOR PN.S)
 x-282050-x

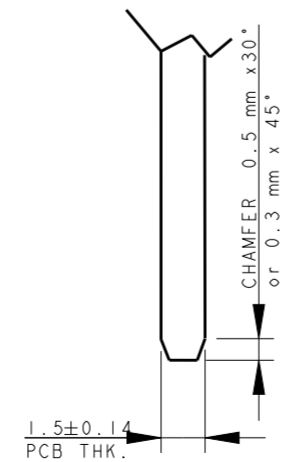
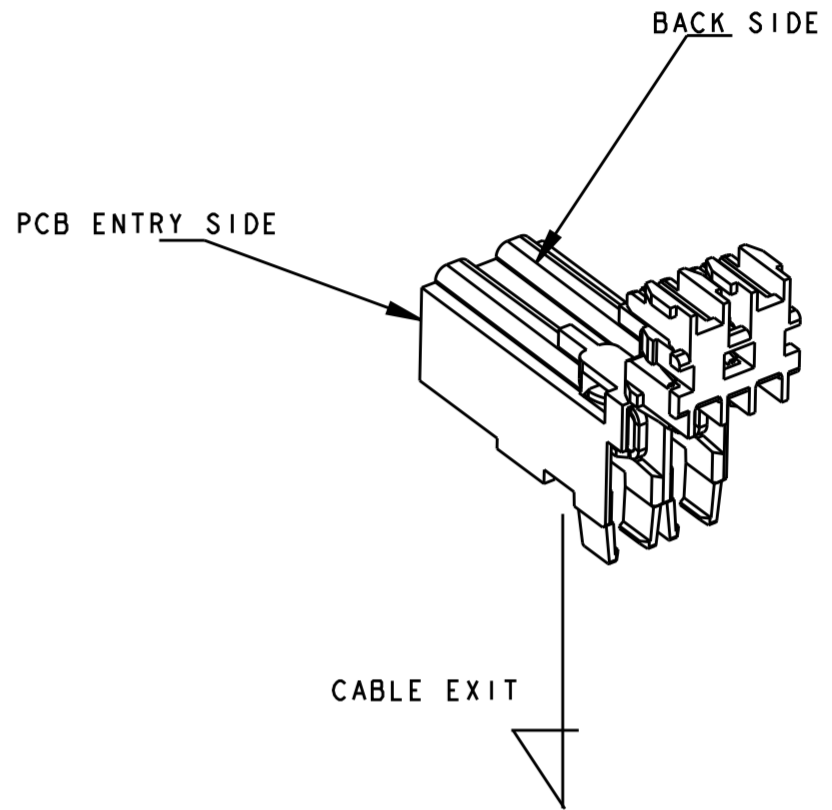


DIMA DEL PCB PER PN
 (PCB LAYOUT FOR PN.S)
 x-282051-x



DIMA DEL PCB PER PN
 (PCB LAYOUT FOR PN.S)
 x-282052-x

CONNECTOR LAYOUT
 (3D VIEW FOR REFERENCE TO SHOW THE CONNECTOR
 ORIENTATION RESPECT TO PCB CUT OUT DESIGN)



- SUGGESTED SHAPE FOR PCB MATING
 SIDE, CAN BE ALSO OBTAINED
 BY SCORING PROCESS-

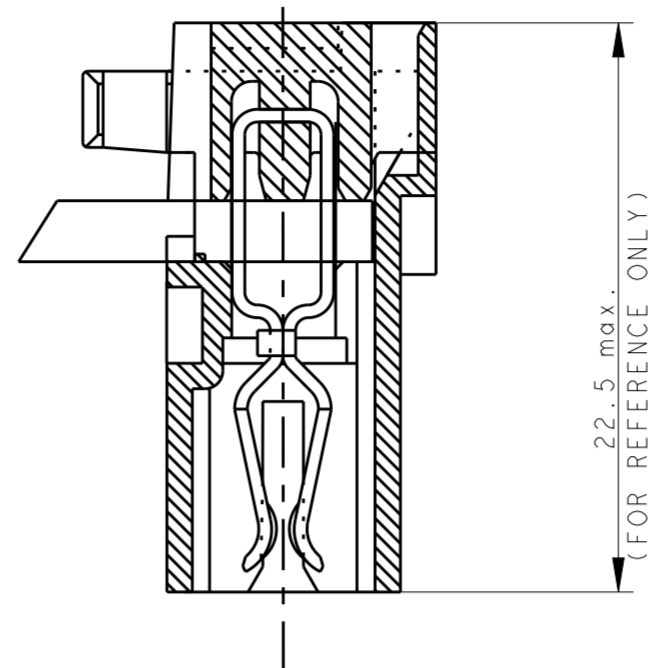
THIS DRAWING IS A CONTROLLED DOCUMENT.		DWN C.CORDOLA	23JUL1996	TE Connectivity NAME MONO-SHAPE, MK1 PCB CONNECTOR 2-12 POS.	
DIMENSIONS: mm		CHK G.TURCO	23JUL1996		
TOLERANCES UNLESS OTHERWISE SPECIFIED: 0 PLC ± 1 PLC ± 2 PLC ± 3 PLC ± 4 PLC ± ANGLES ±2°		APVD G.TURCO	23JUL1996		
MATERIAL CONNETTORE NYLON (CONNECTOR NYLON) CONTATTO OTTONE (CONTACT BRASS)		FINISH STAGNATO (TIN PLATED)	PRODUCT SPEC 108-20067 APPLICATION SPEC 114-20018 WEIGHT -		
Customer Drawing		SIZE A2	CAGE CODE 1	DRAWING NO G-282042	RESTRICTED TO -
		SCALE NO	SHEET 6	OF 8	REV 78

THIS DRAWING IS UNPUBLISHED. RELEASED FOR PUBLICATION
 © COPYRIGHT copyright.dBTe- ALL RIGHTS RESERVED.

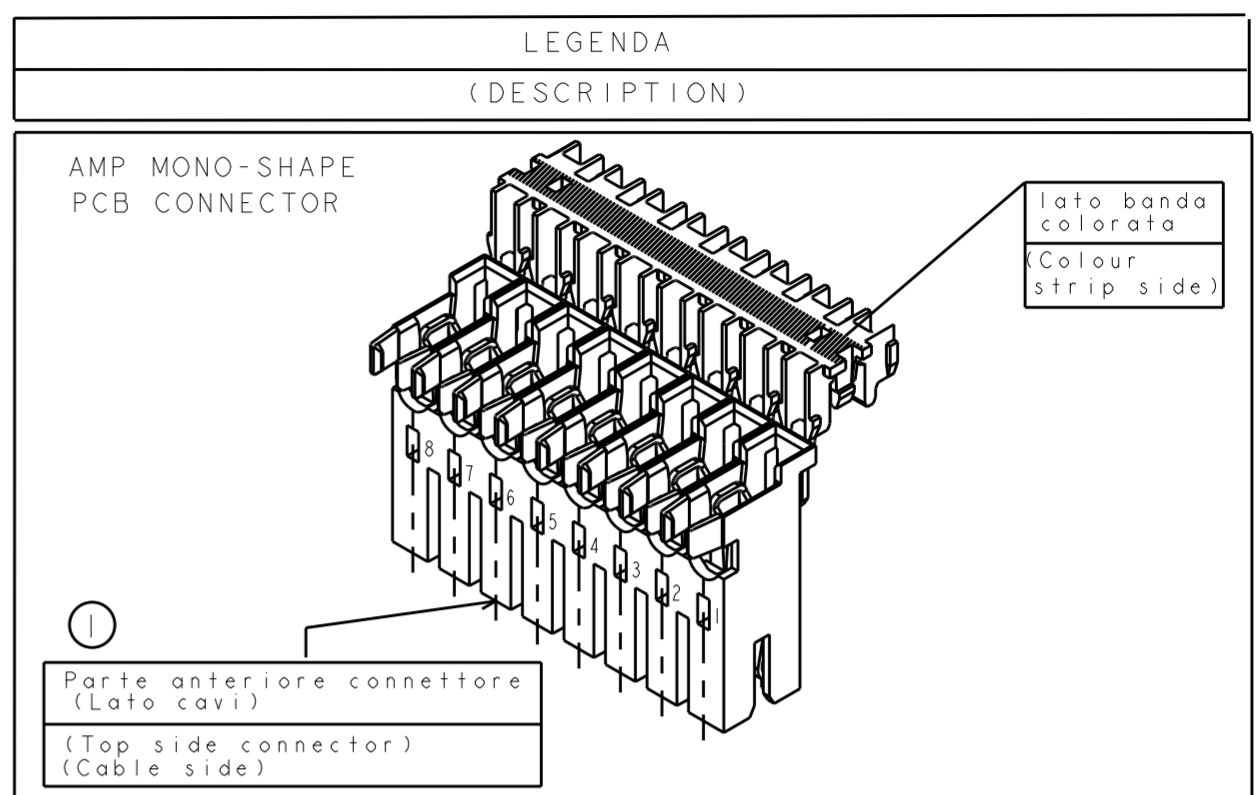
LOC		DIST		REVISIONS				
P	LTR	DESCRIPTION	DATE	DWN	APVD			
-	-	SEE SHEET 1						

NUMERO DI VIE	CONFIGURAZIONE (VISTA CON USCITA CAVI IN ALTO)	VERSIONE PEZZI IN VASSOIO	PART NUMBER ASSY CONN.		POSIZIONE POLARIZ. (INTERVIA)	L (mm)	MARCHIATURA CON BANDA COLORATA
			REV.	VERSIONE PEZZI SCIOLTI			
NO. OF POS.	(CONFIGURATION) (VIEW WITH CABLE EXIT UP)	ON TRAY PACKAGING VERSION	PART REV.	LOOSE PIECES PACKAGING VERSION	PART REV.	POLARIZ. POSITION (INTERVIA)	STRIP COLOUR
2		1-282042-1	U	2-282042-1	U	-	ARANCIO (ORANGE)
2		1-282042-2	U	2-282042-2	U	-	VERDE (GREEN)
2		1-282042-3	U	2-382042-3	U	-	BLU (BLUE)
2		1-282042-4	U	2-282042-4	U	-	ROSSO (RED)
2		1-282042-5	U	2-282042-5	U	-	NERO (BLACK)
2		1-284561-1	V	-	-	-	VERDE (GREEN)
2		1-282042-6	V	-	-	-	VIOLA (VIOLET)
2		1-284561-2	V	-	-	-	-
3		1-282043-2	U	2-282043-2	U	-	-
		1-282043-3 ¹⁹	U	2-282043-3 ¹⁹	U	-	NERO (BLACK)
3		0-282235-2 ²⁰	U	2-282235-2 ²⁰	U	-	-
		0-282235-3 ²⁰	U	2-282235-3 ²⁰	U	-	NERO (BLACK)
3		1-284546-1	V	-	-	2-3	BLU (BLUE)
4		1-282044-1 ¹⁸	V	2-282044-1 ¹⁸	V	-	-
		3-282044-1	V	-	-	-	-
5		1-282045-1	U	2-282045-1	U	-	-
5		1-282045-2	U	2-282045-2	U	2-3	VERDE (GREEN)
5		1-282045-3	U	2-382045-3	U	2-3	BLU (BLUE)
5		1-284733-1	U	2-284733-1 ¹⁹	U	-	-
5		3-282045-4 ⁶	I	-	-	1-2	Orange
6		1-282046-1	U	2-282046-1	U	2-3	-
6		1-284734-1	U	2-284734-1 ²⁰	U	2-3	-
7		1-282047-1 ¹⁸	U	2-282047-1 ¹⁸	U	-	-
8		0-284208-1	U	2-284208-1 ¹⁹	U	2-3	-
9		1-282049-1	U	2-282049-1	U	2-3 6-7	-
10		1-282050-1	U	2-282050-1	U	2-3 7-8	-
10		1-284401-1	V	-	-	2-3	NERO (BLACK)
11		1-282051-1	U	2-282051-1 ¹⁹	U	2-3 8-9	-
12		1-282052-1	U	2-282052-1	U	2-3 9-10	-

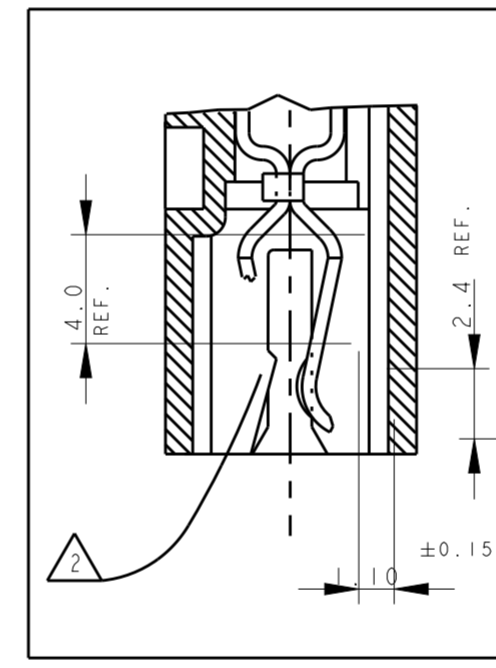
CONNETTORE COMPLETO DI CAVO (TERMINATED CONNECTOR)



22.5 max.
(FOR REFERENCE ONLY)



1) PER LE DIMENSIONI DEGLI SCARICHI SUL PCB VEDERE FOGLIO 5 (FOR PCB LAYOUT AND DIMENSIONS SEE SHEET 5)



- 2) GLI AGGANCI PER DIMA CIRCUITO STAMPATO, SONO SEMPRE RICAVATI SULLA SECONDA E PENULTIMA PARETE DEL BLOCCHETTO (INDICATI COME X-Y SUI DETTAGLI DEL DISEGNO) (LOCKING TEETH ARE OBTAINED ON THE SECOND AND THE SECOND-LAST WALL (NAMED X-Y ON RELEVANT DWG. DETAILS))
- 3) MARCHIO DI FABBRICA (LIBERA POSIZIONE) (TRADEMARK) (FREE POSITION)
- 4) NUMERI DI IDENTIFICAZIONE CAVITA' (CIRCUIT IDENTIFICATION)
- 5) ADATTO PER SCHEDA CIRCUITO STAMPATO SPESSORE 1.5±0.14 (SUITABLE FOR P.C.B. THK. 1.5±0.14)
- 6) CODICE NON ANCORA IN PRODUZIONE (PN NOT YET RELEASED FOR PRODUCTION)
- 12) INCLUDE LA POLARIZZAZIONE DOVE E' ESISTENTE (INCLUDING POLARIZATION KEY, WHEN EXISTING)
- 15) STATO DI FORNITURA: CONFEZIONAMENTO IN "VASSOI + SCATOLA" (PACKAGING: "ON TRAY PLUS CARTON BOX")
- 16) CONFEZIONAMENTO IN BOBINA OBSOLETATO (PACKAGING: "ON REEL" OBSOLETE)
- 17) APPROVAZIONE VDE, FILE No. 3905 (VDE APPROVAL, FILE No. 3905)
- 18) PROFILO "A" E' VALIDO PER OGNI CONFIGURAZIONE, PROFILO "B" E' AMMESSO SOLO PER I PN IDENTIFICATI IN TABELLA DALLA PRESENTE NOTA (SHAPE "A" VALID FOR EACH CONFIGURATION, SHAPE "B" IS PERMITTED ONLY ON PN WHERE THIS NOTE IS SHOWN ON RELEVANT DRAWING TABLE)
- 19) OBSOLETE: CIS STREAMLINING PER D.RENAUD/D.SINISI
- 20) OBSOLETE



21) PA GF, UL-V0 GWEPT 750°C NO FLAME, NATURAL PRELIMINARY - NOT YET RELEASED FOR PRODUCTION

2	BLOCCHETTO (HOUSING)	NATURALE (NATURAL)	PA 6.6 CARICATO VETRO (POLIAMIDE 6.6 GLASSFIBER FILLED)
1	CONTATTO (CONTACT)	STAGNATO (TIN-PLATED)	OTTONE (BRASS)
ITEM	DENOMINAZIONE (DESCRIPTION)	FINITURA/COLORE (FINISH/COLOUR)	MATERIALE (MATERIAL)

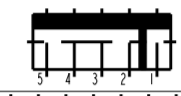

THIS DRAWING IS A CONTROLLED DOCUMENT.


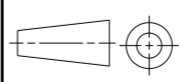
DIMENSIONS: mm	TOLERANCES UNLESS OTHERWISE SPECIFIED:	DWN C.CORDOLA 23JUL1996	TE Connectivity MONO-SHAPE, MK1 PCB CONNECTOR 2-12 POS.
	0 PLC ± 0.3 1 PLC ± 2 PLC ± 3 PLC ± 4 PLC ± ANGLES ±2°	CHK G.TURCO 23JUL1996	
		APVD G.TURCO 23JUL1996	
		PRODUCT SPEC 108-20067	
MATERIAL CONNETTORE NYLON (CONNECTOR NYLON) STAGNATO (TIN PLATED)	FINISH	APPLICATION SPEC 114-20018	RESTRICTED TO
Customer Drawing		WEIGHT -	SCALE NO SHEET 7 OF 8 REV 78

THIS DRAWING IS UNPUBLISHED. RELEASED FOR PUBLICATION
 © COPYRIGHT copyright.d8te ALL RIGHTS RESERVED.

REVISIONS				DATE	DWN	APVD
LOC	DIST	P	LTR	DESCRIPTION		
-	-			SEE SHEET 1		

 PA GF, UL-V0 GWEPT 750° C NO FLAME, NATURAL
 PRELIMINARY - NOT YET RELEASED FOR PRODUCTION

NO. of POS.	CONFIGURATION (SEE TYP. SECTION ONLY FOR REF.)	ON TRAY PACKAGING VERSION	PART REV.	LOOSE PIECES PACKAGING VERSION	PART REV.	POLARIZ. POSITION (INTERVIA)	"L" (mm)	COLOR CODE
5		2293372-5	1	-	-	1-2	24.9	-
7		2293372-7	1	-	-	-	34.9	-

THIS DRAWING IS A CONTROLLED DOCUMENT.		DWN C. CORDOLA 23 JUL 1996	 TE Connectivity MONO-SHAPE, MK I PCB CONNECTOR 2-12 POS.		
DIMENSIONS: mm		CHK G. TURCO 23 JUL 1996			NAME
		APVD G. TURCO 23 JUL 1996			RESTRICTED TO
TOLERANCES UNLESS OTHERWISE SPECIFIED: 0 PLC ± 1 PLC ± 2 PLC ± 0.3 3 PLC ± 4 PLC ± ANGLES ±2°		PRODUCT SPEC 108-20067			SIZE A2
MATERIAL CONNETTORE NYLON (CONNECTOR NYLON) CONTATTO OTTONE (CONTACT BRASS)		FINISH STAGNATO (TIN PLATED)	APPLICATION SPEC 114-20018	CAGE CODE 1	
		WEIGHT -	DRAWING NO G-282042	SCALE NO	
		Customer Drawing	SHEET 8 OF 8	REV Z8	



Компания «ЭлектроПласт» предлагает заключение долгосрочных отношений при поставках импортных электронных компонентов на взаимовыгодных условиях!

Наши преимущества:

- Оперативные поставки широкого спектра электронных компонентов отечественного и импортного производства напрямую от производителей и с крупнейших мировых складов;
- Поставка более 17-ти миллионов наименований электронных компонентов;
- Поставка сложных, дефицитных, либо снятых с производства позиций;
- Оперативные сроки поставки под заказ (от 5 рабочих дней);
- Экспресс доставка в любую точку России;
- Техническая поддержка проекта, помощь в подборе аналогов, поставка прототипов;
- Система менеджмента качества сертифицирована по Международному стандарту ISO 9001;
- Лицензия ФСБ на осуществление работ с использованием сведений, составляющих государственную тайну;
- Поставка специализированных компонентов (Xilinx, Altera, Analog Devices, Intersil, Interpoint, Microsemi, Aeroflex, Peregrine, Syfer, Eurofarad, Texas Instrument, Miteq, Cobham, E2V, MA-COM, Hittite, Mini-Circuits, General Dynamics и др.);

Помимо этого, одним из направлений компании «ЭлектроПласт» является направление «Источники питания». Мы предлагаем Вам помощь Конструкторского отдела:

- Подбор оптимального решения, техническое обоснование при выборе компонента;
- Подбор аналогов;
- Консультации по применению компонента;
- Поставка образцов и прототипов;
- Техническая поддержка проекта;
- Защита от снятия компонента с производства.



Как с нами связаться

Телефон: 8 (812) 309 58 32 (многоканальный)

Факс: 8 (812) 320-02-42

Электронная почта: org@eplast1.ru

Адрес: 198099, г. Санкт-Петербург, ул. Калинина, дом 2, корпус 4, литера А.