

# RJ45 Connectors

**Interconnect Solutions Worldwide**



## **RJ45 Connectors**

**D38999 Derived Cat5e / Cat6 & Cat6a RJ45  
Connector Assemblies for Harsh Environments**

**NCAGE Code U5792 [www.polamco.com](http://www.polamco.com)**



## D38999 Derived Cat5e / Cat6 & Cat6a RJ45 Connector Assemblies for Harsh Environments

### PC4B0002

- [Cat 5e Box Mount Feedthrough Receptacle](#)

### PC4F0002

- [Cat 5e Jam Nut Feedthrough Receptacle](#)

### PC4D0002

- [Cat 5e Free Plug](#)
- [Cat 5e Free Plug \(91 Series with Spring Screen Termination\)](#)

### PC4B0029

- [Cat6 Jam Nut Feedthrough Receptacle](#)

### PC4F0020

- [Cat6 Jam Nut Feedthrough Receptacle](#)

### PC4D0024

- [Cat6 Plug Connector Assembly](#)

### PC4B0022

- [Cat6a Box Mount Feedthrough Receptacle](#)

### PC4F0014

- [Cat6a Jam Nut Feedthrough Receptacle](#)

### PC4D0018 & PC4D0018\*\*

- [Cat6a Free Plug](#)

### PC4D0023

- [Cat6a Field Plug Connector Assembly](#)

### [RJ45 Cat5 Tooling Options](#)

### [RJ45 Cat6 & Cat6a Tooling Options](#)

### [Connector Modifications](#)

### Performance

- Cat 5e per ISO/IEC 11801
- Cat 6 1Gb with enhanced grounding option
- Cat 6a 10Gb with enhanced grounding option
- D38999 shell size 19
- Sealed to IP68 for fluid and dust laden environments
- High levels of shock, vibration and mechanical impact protection
- Fully enclosed Aluminium, Marine Bronze and Stainless Steel shells for superior mechanical strength
- Positive cordset retention >100N axial force
- Optional external screen termination features on cable plug
- Isolated RJ-to-shell grounding option



The Polamco high speed RJ45 connector system incorporates a MIL-DTL-38999 series III derived metal shell with full 360 degree EMC and mechanical protection and has been designed to meet the requirements of high speed data connections where reliability through environmental sealing and enhanced mechanical protection and EMC performance are required.

### MATERIAL DESCRIPTION

1	ALUMINIUM ALLOY 6262 / 6082
2	NICKEL ALUMINIUM BRONZE DGS 1043/NES 833
3	BRASS CZ 121
4	STAINLESS STEEL 303 S31
44	STAINLESS STEEL 304
46	STAINLESS STEEL 316
5	H.D.H.C COPPER CA 104
6	STAINLESS STEEL NUT / ALUMINIUM BODY
7	BLACK ACETAL
73	PEEK GL30
74	ULTEM 2300 (30% GLASS FILLED)

**NOTE: PLEASE CONTACT SALES OFFICE FOR MATERIALS NOT LISTED ABOVE**

PLATING CODE	PLATING DESCRIPTION	ROHS COMPLIANT	ENVIRONMENT PROTECTION/ CONDUCTIVITY
A	CADMIUM, OLIVE DRAB (5-10 MICRONS) QQ-P-416, TYPE II, CLASS 3 OVER ELECTROLESS NICKEL	YES (SUBJECT TO EXEMPTION)	CONDUCTIVE 500 HRS SALT SPRAY. EXEMPTION APPLICABLE FOR AEROSPACE / MILITARY APPLICATIONS. SEE ROHS WEBSITES FOR MORE INFORMATION.
AB	ANODISE BLUE TO DEF 03-25	YES	NON CONDUCTIVE
AR	ANODISE RED TO DEF 03-25	YES	NON CONDUCTIVE
B	CADMIUM, OLIVE DRAB (5-10 MICRONS) QQ-P-416, TYPE II, CLASS 3 OVER ELECTROLESS NICKEL	YES (SUBJECT TO EXEMPTION)	CONDUCTIVE 500 HRS SALT SPRAY. EXEMPTION APPLICABLE FOR AEROSPACE / MILITARY APPLICATIONS. SEE ROHS WEBSITES FOR MORE INFORMATION.
C	ELECTROLESS NICKEL, AMS-C-26074, CLASS 4, GRADE B	YES	CONDUCTIVE
CHP	ELECTROLESS NICKEL, HIGH PHOSPHOR (9% - 14%), 22 MICRONS MINIMUM, BSEN ISO 4527:2003	YES	CONDUCTIVE
D	BLACK ANODISE HARD PER MIL-A-8625, TYPE III, CLASS 2	YES	NON CONDUCTIVE
F	30-50 MICRONS BRIGHT ELECTROLESS NICKEL TO MIL-C-26074D, CLASS 4, GRADE C	YES	CONDUCTIVE 500 HRS SALT SPRAY
G	BLACK ANODISE, SULPHURIC, PER MIL-A-8625, TYPE II, CLASS 2	YES	NON CONDUCTIVE
H	CADMIUM GOLD, PER QQ-P-416, TYPE II, CLASS 3	YES (SUBJECT TO EXEMPTION)	CONDUCTIVE. EXEMPTION APPLICABLE FOR AEROSPACE / MILITARY APPLICATIONS. SEE ROHS WEBSITES FOR MORE INFORMATION.
HA	HARD ANODISE, GREY, 30-50 MICRONS	YES	NON CONDUCTIVE
J	PASSIVATE, PER QQ-P-35 OR MI-S-5002	YES	ROHS COMPLIANT
K	CHROMIC ANODISING, DEF 151, TYPE II	NO	NON CONDUCTIVE
L	ALOCROM 1200	NO	CONDUCTIVE
LR	IRIDITE CONVERSION ROHS COMPLIANT VERSION OF ALOCROM 1200, CLEAR/ IRIDESCENT, ALUMINIUM ONLY	YES	CONDUCTIVE



PLATING CODE	PLATING DESCRIPTION	ROHS COMPLIANT	ENVIRONMENT PROTECTION/ CONDUCTIVITY
LV	5 MICRONS SILVER AND BLACKEN TO DEF 03-9	YES	CONDUCTIVE
M	BRIGHT CADMIUM OVER NICKEL QQ-P-416, TYPE II, CLASS 3	YES (SUBJECT TO EXEMPTION)	CONDUCTIVE 500 HRS SALT SPRAY. EXEMPTION APPLICABLE FOR AEROSPACE / MILITARY APPLICATIONS. SEE ROHS WEBSITES FOR MORE INFORMATION.
P	HEAVY NICKEL TO PLATING SPECIFICATION CP07 (500 HOUR SALT SPRAY FINISH)	YES	CONDUCTIVE 500 HRS SALT SPRAY
R	CADMIUM, OLIVE DRAB (5-10 MICRONS) QQ-P-416, TYPE II, CLASS 3 OVER ELECTROLESS NICKEL (2.5 - 7.5 MICRONS) REAR OF BACKSHELL TO HAVE SELECTIVE ELECTROLESS PLATING C-PLATE	YES (SUBJECT TO EXEMPTION)	CONDUCTIVE 500 HRS SALT SPRAY. EXEMPTION APPLICABLE FOR AEROSPACE / MILITARY APPLICATIONS. SEE ROHS WEBSITES FOR MORE INFORMATION.
T	TIN PLATE (COPPER) TO DEF 03-8	YES	CONDUCTIVE
TN	NICKEL/PTFE	YES	CONDUCTIVE 500 HRS SALT SPRAY
U	UNPLATED CLEAN FINISH NOT SHOT BLASTED	YES	
V	SILVER PLATE 5 MICRONS TO DEF 03-9	YES	CONDUCTIVE
Y	YELLOW CHROMATE OVER CADMIUM QQ-P-416, TYPE II, CLASS 2	NO	CONDUCTIVE
Z	SHOT BLAST FOR NON-REFLECTIVE FINISH	YES	
ZB	ZINC COBALT, OLIVE DRAB (5-10 MICRONS) OVER ELECTROLESS NICKEL (2.5 - 7.5 MICRONS)	YES	CONDUCTIVE 350 HRS SALT SPRAY.
ZBC	ZB-NUT (ZINC COBALT OLIVE DRAB OVER ELECTROLESS NICKEL)	YES	CONDUCTIVE 350 HRS SALT SPRAY. ZB.
	C-FOLLOWER (ELECTROLESS NICKEL) - 91 SERIES ONLY		
ZBBC	ZB-NUT (ZINC COBALT OLIVE DRAB OVER ELECTROLESS NICKEL)	YES	CONDUCTIVE 350 HRS SALT SPRAY.
	ZB-FOLLOWER (ZINC COBALT OLIVE DRAB OVER ELECTROLESS NICKEL)		
	WITH C MASKED AREA (ELECTROLESS NICKEL - SEE ABOVE) - 91 SERIES ONLY		
ZK	ZINC COBALT BLACK PASSIVATE (5 - 10 MICRONS) OVER ELECTROLESS NICKEL (2.5 - 7.5 MICRONS)	YES	CONDUCTIVE 350 HRS SALT SPRAY.
ZN	ZINC NICKEL BLACK PASSIVATE (5-12 MICRONS) OVER ELECTROLESS NICKEL (8-12 MICRONS), ASTM B 841 CLASS 1	NO	ROHS COMPLIANT VARIANT UNDER DEVELOPMENT, SUBJECT TO TESTING SHOULD BE AVAILABLE FIRST QUARTER 2011
ZNB	ELECTROLESS NICKEL 8-12 MICRONS/ ZINC NICKEL 5-12/PURE ZINC/OLIVE DRAB PASSIVATION, ASTM B 841 CLASS 1	NO	CONDUCTIVE (NOT ROHS COMPLIANT, UNTESTED 500 HRS SALT SPRAY FINISH)
ZNY	ELECTROLESS NICKEL 8-12 MICRONS/ ZINC NICKEL 5-12 MICRONS/YELLOW PASSIVATION, ASTM B 841 CLASS 1	NO	CONDUCTIVE (NOT ROHS COMPLIANT, UNTESTED 500 HRS SALT SPRAY FINISH)
ZY	ZINC COBALT YELLOW CHROMATE (7.5 - 12.5 MICRONS) OVER ELECTROLESS NICKEL (2.5 - 7.5 MICRONS)	NO	CONDUCTIVE 500 HRS SALT SPRAY

# RJ45 Cat5 Connectors

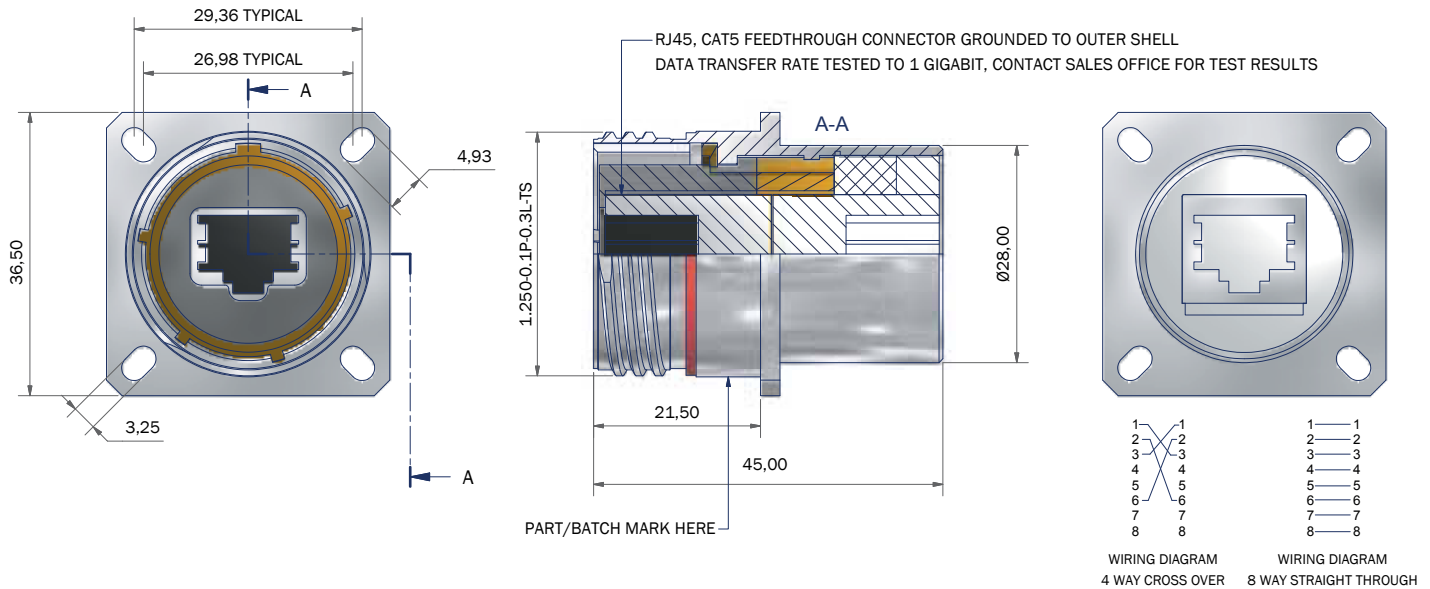
## PC4B0002 - Box Mount Feedthrough Receptacle



Connector Modifications: See Page 19

Interconnect Solutions Worldwide

Contents



**NOTES**  
GENERALLY TO THE REQUIREMENTS OF  
MIL-DTL-38999

**MATERIALS**  
RJ45  
CONTACTS 30µ Au/Ni  
SHIELDING - NICKEL PLATED BRASS  
BODY - PA, UL94V-0  
PCB - FR4, UL94V-0

SEAL - SILICONE MS749ECP TO BS6853 CAT 1  
INSULATOR - PPS GL40 UL94  
POTTING - QSIL 550 UL94V-0

**PERFORMANCE**  
CURRENT RATING FOR POWER CONTACTS 2.1  
AMPS @ 70 °C  
VOLTAGE RATING 50V DC / 35V AC  
TEMPERATURE -40 °C TO +120 °C

EXAMPLE PART NUMBER: PC4B0002-C-19N-1-C	
PC4B0002 =	POLAMCO SERIES
C =	RJ45 STYLE
	A = 4 WAY
	B = 4 WAY + 2 POWER CONTACTS
	C = 8 WAY (STANDARD)
	D = 8 WAY + 2 POWER CONTACTS
19 =	SHELL SIZE
N =	KEY ARRANGEMENT
1 =	MATERIAL (ALUMINIUM ALLOY) SEE PAGE 3
C =	PLATING: SEE PAGES 3 - 4

PART NUMBER FOR UNGROUNDED VERSION: PC4B0002-C-U-19N-1-C

PART NUMBER AND BATCH CODE WILL BE MARKED ON THE ASSEMBLY UNLESS OTHERWISE SPECIFIED

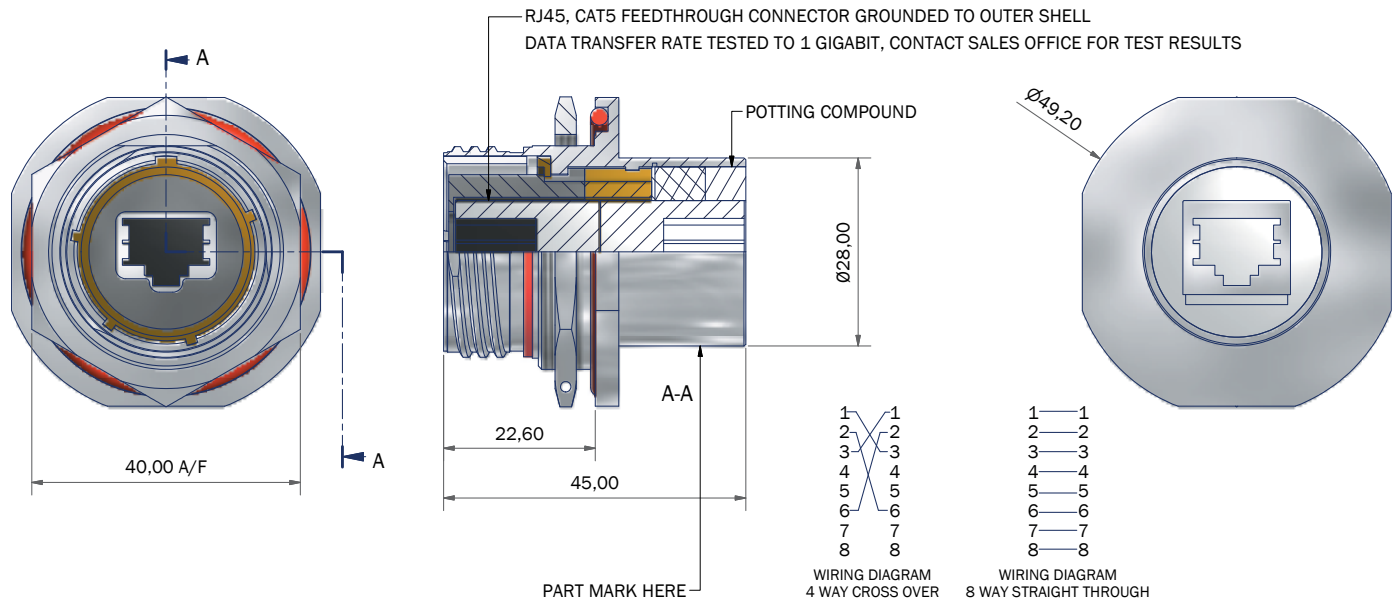
# RJ45 Cat5 Connectors

## PC4F0002 - Feedthrough Jam Nut Receptacle



Connector Modifications: See Page 19

Interconnect Solutions Worldwide



**NOTES**  
GENERALLY TO THE REQUIREMENTS OF  
MIL-DTL-38999

**MATERIALS**  
RJ45  
CONTACTS 30µ Au/Ni  
SHIELDING - NICKEL PLATED BRASS  
BODY - PA, UL94V-0  
PCB - FR4, UL94V-0

SEAL - SILICONE MS749ECR TO BS6853 CAT 1  
INSULATOR - PPS GL40 UL94  
POTTING - QSIL 550 UL94V-0

**PERFORMANCE**  
CURRENT RATING FOR POWER CONTACTS 2.1  
AMPS @ 70 °C  
VOLTAGE RATING 50V DC / 35V AC  
TEMPERATURE -40 °C TO +120 °C

EXAMPLE PART NUMBER: PC4F0002-C-19N-1-C	
PC4F0002 =	POLAMCO SERIES
C =	RJ45 STYLE
	A = 4 WAY
	B = 4 WAY + 2 POWER CONTACTS
	C = 8 WAY (STANDARD)
	D = 8 WAY + 2 POWER CONTACTS
19 =	SHELL SIZE
N =	KEY ARRANGEMENT
1 =	MATERIAL (ALUMINIUM ALLOY) SEE PAGE 3
C =	PLATING: SEE PAGES 3 - 4

PART NUMBER FOR UNGROUNDED VERSION: PC4F0002-C-U-19N-1-C

PART NUMBER AND BATCH CODE WILL BE MARKED ON THE ASSEMBLY UNLESS OTHERWISE SPECIFIED

DRAWING NOT TO SCALE  
DIMENSIONS IN MM

www.polamco.com

THIS DRAWING IS THE PROPERTY OF POLAMCO LTD AND MUST NOT BE USED FOR COMMERCIAL PURPOSES WITHOUT WRITTEN CONSENT OF THE COMPANY

Contents

# RJ45 Cat5 Connectors

## PC4D0002 - Plug Connector Assembly

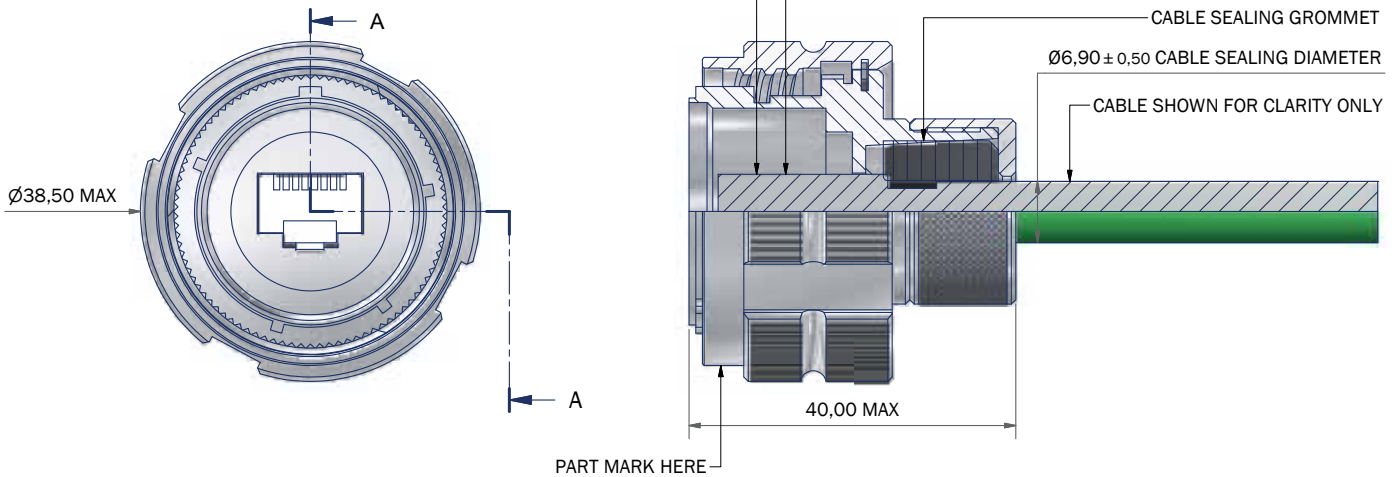


RJ45 Cat5 Tooling Options: See Page 17

Connector Modifications: See Page 19

**Interconnect Solutions Worldwide**

RJ45, CAT5 CABLE PLUG WITH INTEGRATED CABLE GUIDE,  
SHIELDING AND CABLE CRIMP GROUNDED TO OUTER SHELL  
DATA TRANSFER RATE TESTED TO 1 GIGABIT  
CONTACT SALES OFFICE FOR TEST RESULTS



### NOTES

GENERALLY TO THE REQUIREMENTS OF  
MIL-DTL-38999

### MATERIALS

RJ45  
CONTACTS 30µ Au/Ni  
SHIELDING - NICKEL PLATED BRASS  
BODY - PA, UL94V-0

SEAL - SILICONE MS749ECR TO BS6853 CAT 1

### PERFORMANCE

CURRENT RATING FOR POWER CONTACTS 2.1  
AMPS @ 70 °C  
VOLTAGE RATING 50V DC / 35V AC  
TEMPERATURE -40 °C TO +120 °C

### EXAMPLE PART NUMBER: PC4D0002-C-19N-1-C

PC4D0002 =	POLAMCO SERIES
C =	RJ45 STYLE
	A = 4 WAY 4 x 24AWG
	B = 4 + 2 WAY 4 x 24AWG + 2 x 22AWG
	C = 8 WAY 8 x 26 AWG (STANDARD)
	D = 8 + 2 WAY 8 x 26AWG + 2 x 23AWG
19 =	SHELL SIZE
N =	KEY ARRANGEMENT
1 =	MATERIAL (ALUMINIUM ALLOY) SEE PAGE 3
C =	PLATING: SEE PAGES 3 - 4

PART NUMBER FOR UNGROUNDED VERSION: PC4D0002-C-U-19N-1-C

PART NUMBER AND BATCH CODE WILL BE MARKED ON THE ASSEMBLY UNLESS OTHERWISE SPECIFIED

# RJ45 Cat5 Connectors

PC4D000291

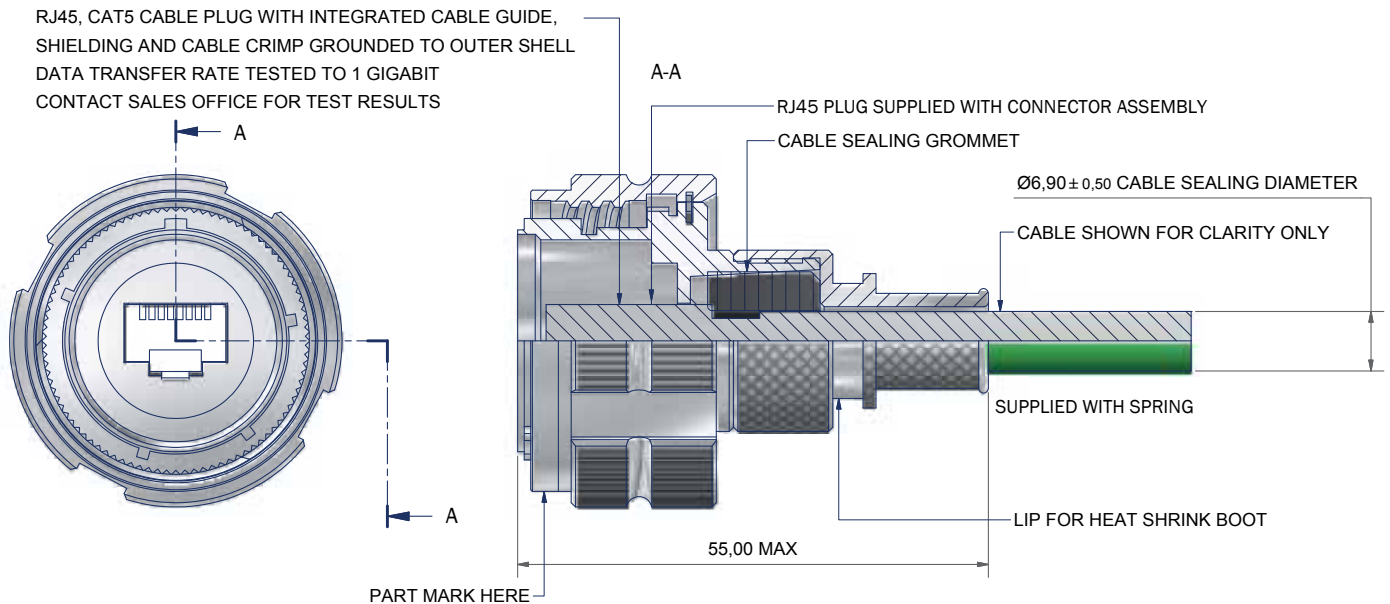
## Plug Connector Assembly for Double Screened Applications

RJ45 Cat5 Tooling Options: See Page 17

Connector Modifications: See Page 19



Interconnect Solutions Worldwide



Contents

### NOTES

GENERALLY TO THE REQUIREMENTS OF MIL-DTL-38999

SEAL - SILICONE MS749ECR TO BS6853 CAT 1

### MATERIALS

RJ45  
CONTACTS 30µ Au/Ni  
SHIELDING - NICKEL PLATED BRASS  
BODY - PBT, UL94V-0

### PERFORMANCE

CURRENT RATING FOR POWER CONTACTS 2.1 AMPS @ 70 °C  
VOLTAGE RATING 50V DC / 35V AC  
TEMPERATURE -40 °C TO +120 °C

EXAMPLE PART NUMBER: PC4D000291-C-19N-1-C	
PC4D000291 =	POLAMCO SERIES
C =	RJ45 STYLE
	A = 4 DATA CONTACTS (4 x 24AWG)
	B = 4 DATA + 2 POWER CONTACTS (4 x 24AWG + 2 x 22AWG)
	C = 8 DATA CONTACTS (8 x 26 AWG + 2x23AWG)
	D = 8 + 2 WAY 8 x 26AWG + 2 x 23AWG
19 =	SHELL SIZE
N =	KEY ARRANGEMENT
1 =	MATERIAL (ALUMINIUM ALLOY) SEE PAGE 3
C =	PLATING: SEE PAGES 3 - 4

PART NUMBER FOR UNGROUNDED VERSION: PC4D000291-C-U-19N-1-C

PART NUMBER AND BATCH CODE WILL BE MARKED ON THE ASSEMBLY UNLESS OTHERWISE SPECIFIED

DRAWING NOT TO SCALE  
DIMENSIONS IN MM

www.polamco.com



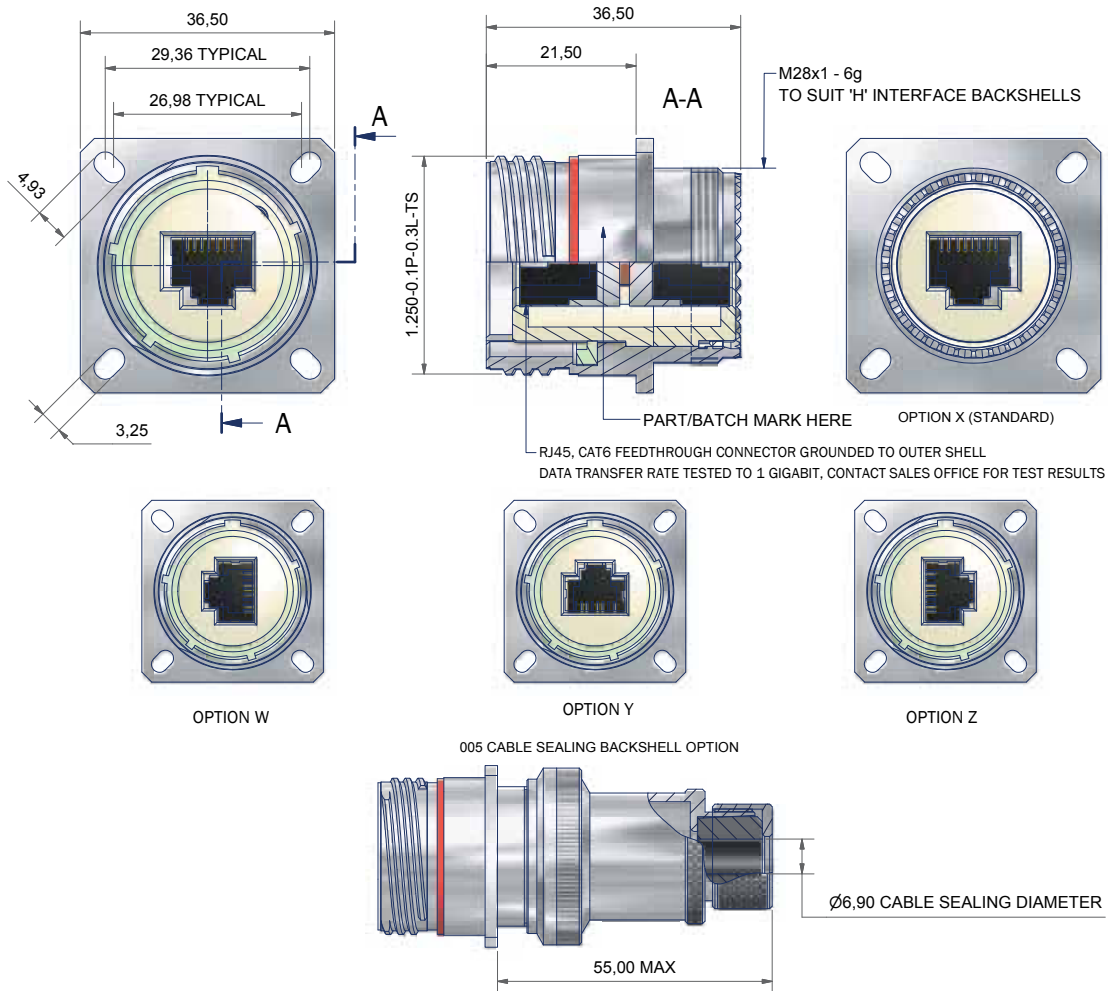
# RJ45 Cat6 Connectors

## PC4B0029 - Feedthrough Jam Nut Receptacle



Connector Modifications: See Page 19

Interconnect Solutions Worldwide



### NOTES

GENERALLY TO THE REQUIREMENTS OF MIL-DTL-38999 MATES WITH AMPHENOL RJFTV

### FINISH

SEE PAGES 15 - 16

### MATERIALS

RJ45 CONTACTS COPPER WITH

### SELECTIVE GOLD PLATE

SHIELDING - NICKEL PLATED BRASS  
 BODY - PA, UL94V-0PCB - FR4, UL94V-0  
 SEAL - SILICONE ELASTOMER  
 INSULATOR - PPS GL40 UL94,  
 COLOUR BLACK  
 POTTING - QSIL 550 UL94V-0

### PERFORMANCE

CURRENT RATING FOR POWER CONTACTS 2.1 AMPS @ 70 °C  
 VOLTAGE RATING 50V DC / 35V AC  
 TEMPERATURE -40 °C TO +120 °C

### EXAMPLE PART NUMBER: PC4B0029-19NX-1-C-005

PC4B0029 =	POLAMCO SERIES
19 =	SHELL SIZE
N =	ALTERNATE KEYING
X =	INSERT ROTATION (w, x, y, z)
1 =	MATERIAL (ALUMINIUM ALLOY) SEE PAGE 3
C =	PLATING: SEE PAGES 3 - 4
005 =	CABLE SEALING BACKSHELL

PART NUMBER FOR UNGROUNDED VERSION: PC4B0029-19NX-1-C-U

PART NUMBER AND BATCH CODE WILL BE MARKED ON THE ASSEMBLY UNLESS OTHERWISE SPECIFIED

Tel: +44 (0)845 017 1545

DRAWING NOT TO SCALE  
 DIMENSIONS IN MM

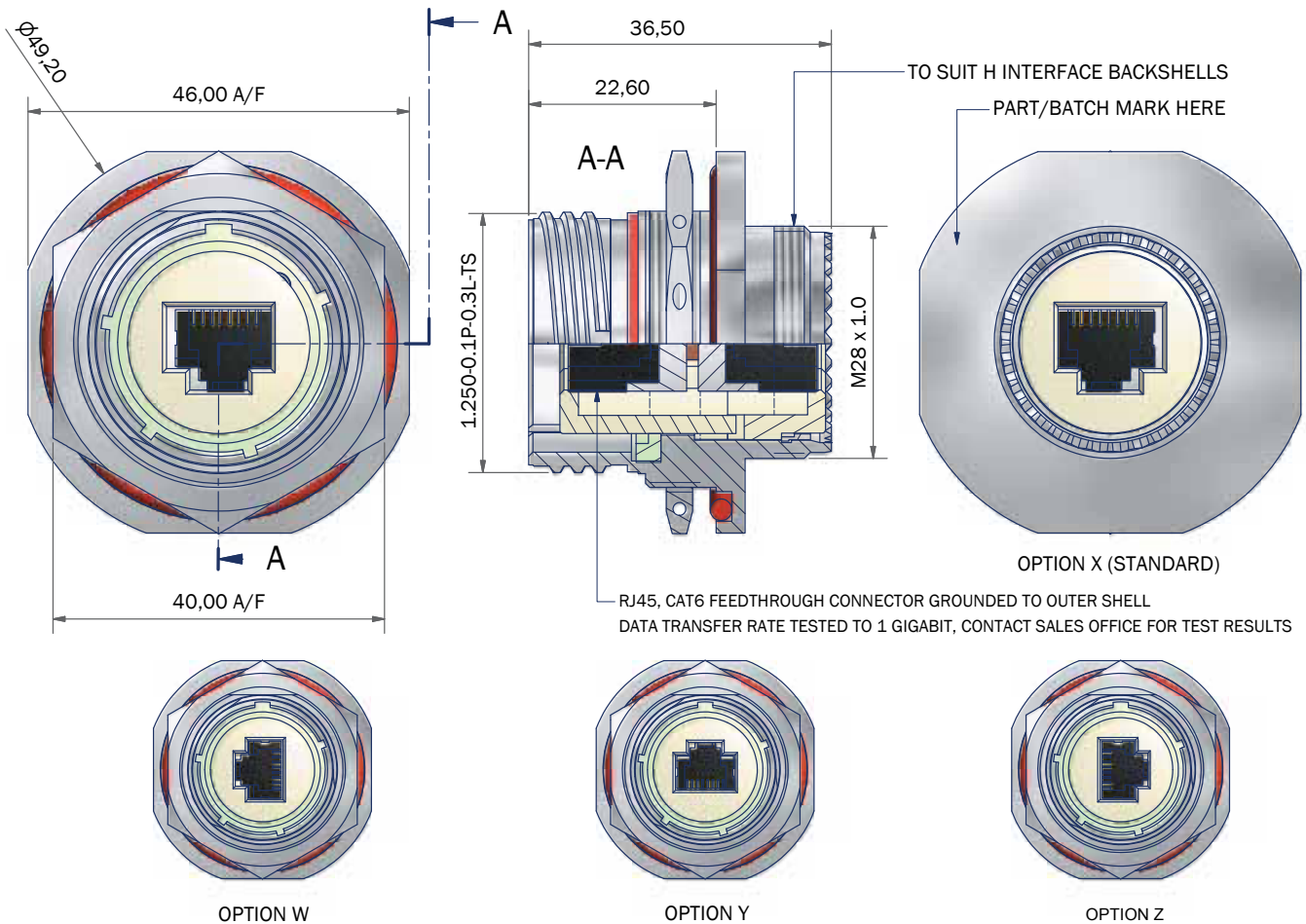
# RJ45 Cat6 Connectors

## PC4F0020 - Feedthrough Jam Nut Receptacle



Connector Modifications: See Page 19

Interconnect Solutions Worldwide



RJ45, CAT6 FEEDTHROUGH CONNECTOR GROUNDED TO OUTER SHELL  
DATA TRANSFER RATE TESTED TO 1 GIGABIT, CONTACT SALES OFFICE FOR TEST RESULTS

### NOTES

GENERALLY TO THE REQUIREMENTS OF MIL-DTL-38999 MATES WITH AMPHENOL RJFTV

### FINISH

SEE PAGES 15 - 16

### MATERIALS

RJ45  
CONTACTS COPPER WITH SELECTIVE GOLD PLATE  
SHIELDING - NICKEL PLATED BRASS  
BODY - PA, UL94V-0  
PCB - FR4, UL94V-0

SEAL - SILICONE ELASTOMER

INSULATOR - PPS GL40 UL94, COLOUR BLACK

POTTING - QSIL 550 UL94V-0

### PERFORMANCE

VOLTAGE RATING 50V DC / 35V AC

TEMPERATURE -40°C TO +120°C

### EXAMPLE PART NUMBER: PC4F0020-19NX-1-C

PC4F0020 =	POLAMCO SERIES
19 =	SHELL SIZE
N=	ALTERNATE KEYING
X=	INSERT ROTATION (w, x, y, z)
1 =	MATERIAL (ALUMINIUM ALLOY) SEE PAGE 3
C =	PLATING: SEE PAGES 3 - 4

PART NUMBER FOR UNGROUNDED VERSION: PC4F0020-19NX-1-C-U

PART NUMBER AND BATCH CODE WILL BE MARKED ON THE ASSEMBLY UNLESS OTHERWISE SPECIFIED

DRAWING NOT TO SCALE  
DIMENSIONS IN MM

www.polamco.com

Contents

# RJ45 Cat6 Connectors

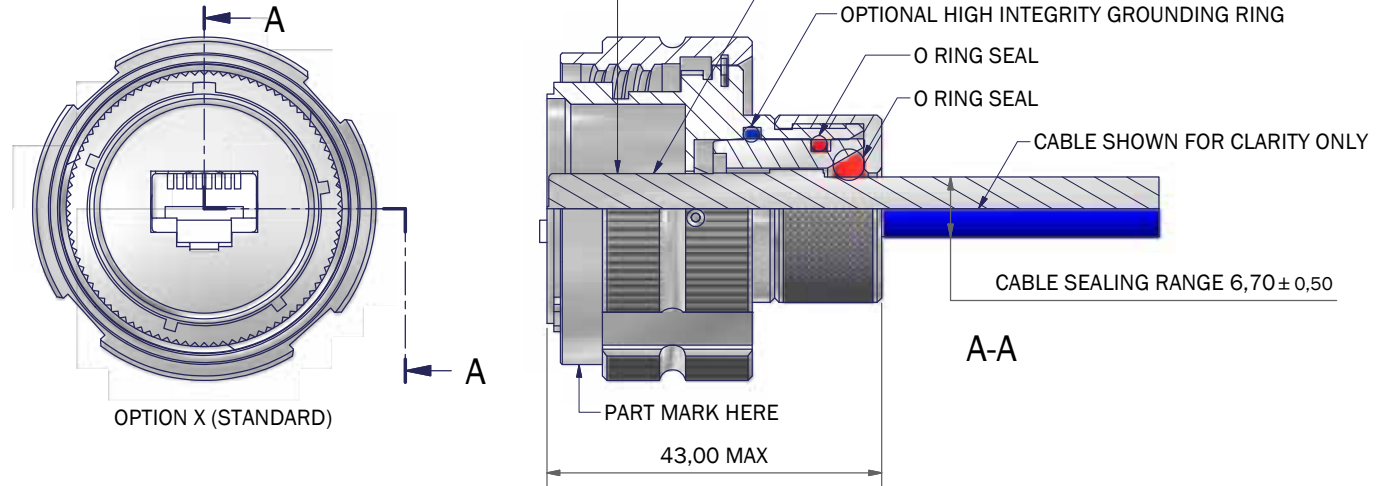
## PC4D0024 - Plug Connector Assembly



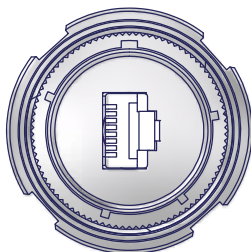
Connector Modifications: See Page 19

Interconnect Solutions Worldwide

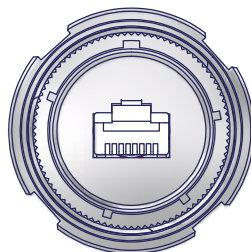
RJ45, CAT6 CABLE PLUG WITH INTEGRATED CABLE GUIDE, SHIELDING AND CABLE CRIMP GROUNDED TO OUTER SHELL FOR USE WITH AWG24/26 CABLE DATA TRANSFER RATE TESTED TO 1 GIGABIT



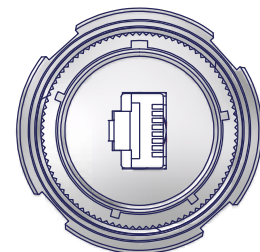
OPTION X (STANDARD)



OPTION W



OPTION Y



OPTION Z

### NOTES

GENERALLY TO THE REQUIREMENTS OF MIL-DTL-38999 MATES WITH AMPHENOL RJFTV

FINISH  
SEE PAGES 15 - 16

### MATERIALS

RJ45  
CONTACTS COPPER WITH SELECTIVE GOLD PLATE  
SHIELDING - NICKEL PLATED BRASS  
BODY - PA, UL94V-0  
SEAL - SILICONE ELASTOMER

### PERFORMANCE

VOLTAGE RATING 50V DC / 35V AC  
TEMPERATURE -40 °C TO +120 °C

### EXAMPLE PART NUMBER: PC4D0024-19NX-1-C-H

PC4D0024 =	POLAMCO SERIES
19 =	SHELL SIZE
N =	ALTERNATE KEYING
X =	INSERT ROTATION (w, x, y, z)
1 =	MATERIAL (ALUMINIUM ALLOY) SEE PAGE 3
C =	PLATING: SEE PAGES 3 - 4
H =	HIGH INTEGRITY GROUNDING (OMIT FOR STANDARD)

PART NUMBER FOR UNGROUNDED VERSION: PC4D0024-19NX-1-C-U

PART NUMBER AND BATCH CODE WILL BE MARKED ON THE ASSEMBLY UNLESS OTHERWISE SPECIFIED

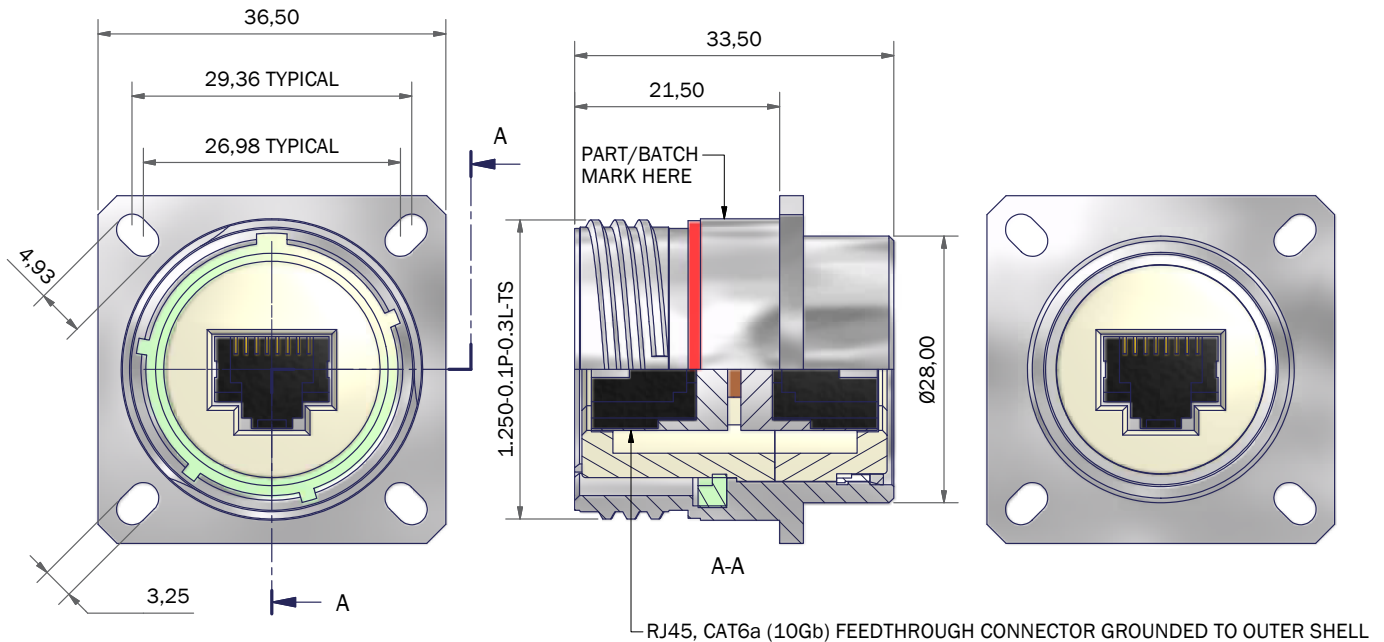
# RJ45 Cat6a Connectors

## PC4B0022 - Feedthrough Receptacle Assembly



Connector Modifications: See Page 19

Interconnect Solutions Worldwide



Contents

### NOTES

GENERALLY TO THE REQUIREMENTS OF MIL-DTL-38999

SEAL - SILICONE ELASTOMER

INSULATOR - PPS GL40 UL94, COLOUR BLACK

POTTING - QSIL 550 UL94V-0

### MATERIALS

RJ45  
CONTACTS COPPER WITH SELECTIVE GOLD PLATE  
SHIELDING - NICKEL PLATED BRASS  
BODY - PBT, UL94V-0  
PCB - FR4, UL94V-0

### PERFORMANCE

VOLTAGE RATING 50V DC / 35V AC  
TEMPERATURE -40 °C TO +120 °C

### EXAMPLE PART NUMBER: PC4B0022-19N-1-C

PC4B0022 =	POLAMCO SERIES
19 =	SHELL SIZE
N =	KEY ARRANGEMENT
1 =	MATERIAL (ALUMINIUM ALLOY) SEE PAGE 3
C =	PLATING: SEE PAGES 3 - 4

PART NUMBER FOR UNGROUNDED VERSION: PC4B0022-19N-1-C-U

PART NUMBER AND BATCH CODE WILL BE MARKED ON THE ASSEMBLY UNLESS OTHERWISE SPECIFIED

DRAWING NOT TO SCALE  
DIMENSIONS IN MM

www.polamco.com

THIS DRAWING IS THE PROPERTY OF POLAMCO LTD AND MUST NOT BE USED FOR COMMERCIAL PURPOSES WITHOUT WRITTEN CONSENT OF THE COMPANY



# RJ45 Cat6a Connectors

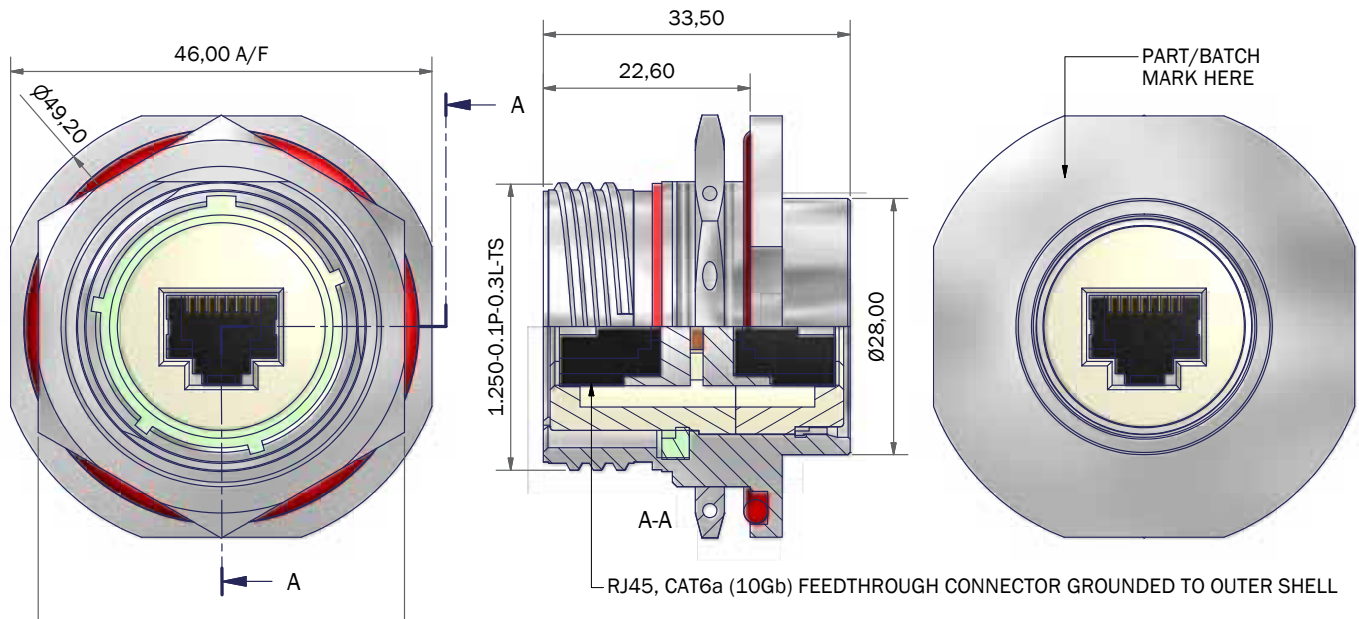
## PC4F0014 - Feedthrough Jam Nut Receptacle



Connector Modifications: See Page 19

Interconnect Solutions Worldwide

Contents



**NOTES**  
 GENERALLY TO THE REQUIREMENTS OF  
 MIL-DTL-38999

SEAL - SILICONE ELASTOMER  
 INSULATOR - PPS GL40 UL94, COLOUR BLACK  
 POTTING - QSIL 550 UL94V-0

**MATERIALS**  
 RJ45  
 CONTACTS COPPER WITH SELECTIVE GOLD PLATE  
 SHIELDING - NICKEL PLATED BRASS  
 BODY - PBT, UL94V-0  
 PCB - FR4, UL94V-0

**PERFORMANCE**  
 VOLTAGE RATING 50V DC / 35V AC  
 TEMPERATURE -40 °C TO +120 °C

**EXAMPLE PART NUMBER: PC4F0014-19N-1-C**

PC4F0014 =	POLAMCO SERIES
19 =	SHELL SIZE
N =	KEY ARRANGEMENT
1 =	MATERIAL (ALUMINIUM ALLOY) SEE PAGE 3
C =	PLATING: SEE PAGES 3 - 4

PART NUMBER FOR UNGROUNDED VERSION: PC4F0014-19N-1-C-U

# RJ45 Cat6a Connectors

## PC4D0018 - Plug Connector Assembly

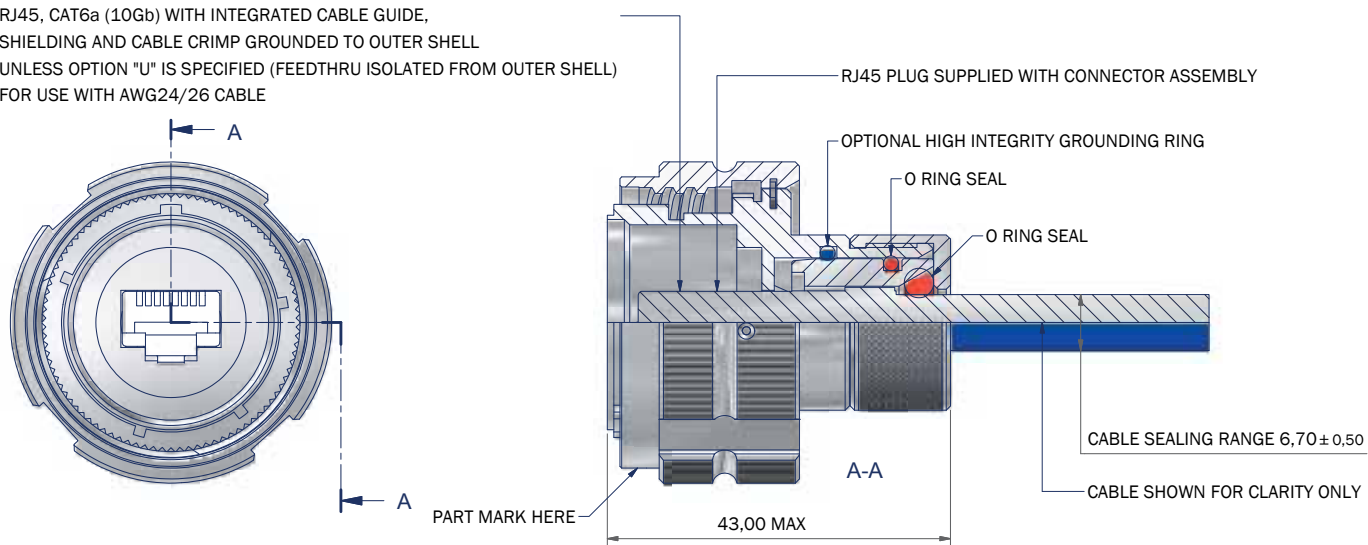


RJ45 Cat6 & Cat6a Tooling Options: See Page 18

Connector Modifications: See Page 19

Interconnect Solutions Worldwide

RJ45, CAT6a (10Gb) WITH INTEGRATED CABLE GUIDE, SHIELDING AND CABLE CRIMP GROUNDED TO OUTER SHELL UNLESS OPTION "U" IS SPECIFIED (FEEDTHRU ISOLATED FROM OUTER SHELL) FOR USE WITH AWG24/26 CABLE



### NOTES

GENERALLY TO THE REQUIREMENTS OF MIL-DTL-38999

### MATERIALS

RJ45  
CONTACTS COPPER WITH SELECTIVE GOLD PLATE  
SHIELDING - NICKEL PLATED BRASS  
BODY - PBT, UL94V-0  
SEAL - SILICONE

### PERFORMANCE

VOLTAGE RATING 50V DC / 35V AC  
TEMPERATURE -40°C TO +120°C

### EXAMPLE PART NUMBER: PC4D0018-19N-1-C-H

PC4D0018 =	POLAMCO SERIES
19 =	SHELL SIZE
N =	KEY ARRANGEMENT
1 =	MATERIAL (ALUMINIUM ALLOY) SEE PAGE 3
C =	PLATING: SEE PAGES 3 - 4
H =	HIGH INTEGRITY GROUNDING (OMIT FOR STANDARD)

PART NUMBER FOR UNGROUNDED VERSION: PC4D0018-19N-1-C-U

PART NUMBER AND BATCH CODE WILL BE MARKED ON THE ASSEMBLY UNLESS OTHERWISE SPECIFIED

DRAWING NOT TO SCALE  
DIMENSIONS IN MM

www.polamco.com

THIS DRAWING IS THE PROPERTY OF POLAMCO LTD AND MUST NOT BE USED FOR COMMERCIAL PURPOSES WITHOUT WRITTEN CONSENT OF THE COMPANY

# RJ45 Cat6a Connectors

PC4D0018\*\*

## Plug Connector Assembly for Double Screened Applications

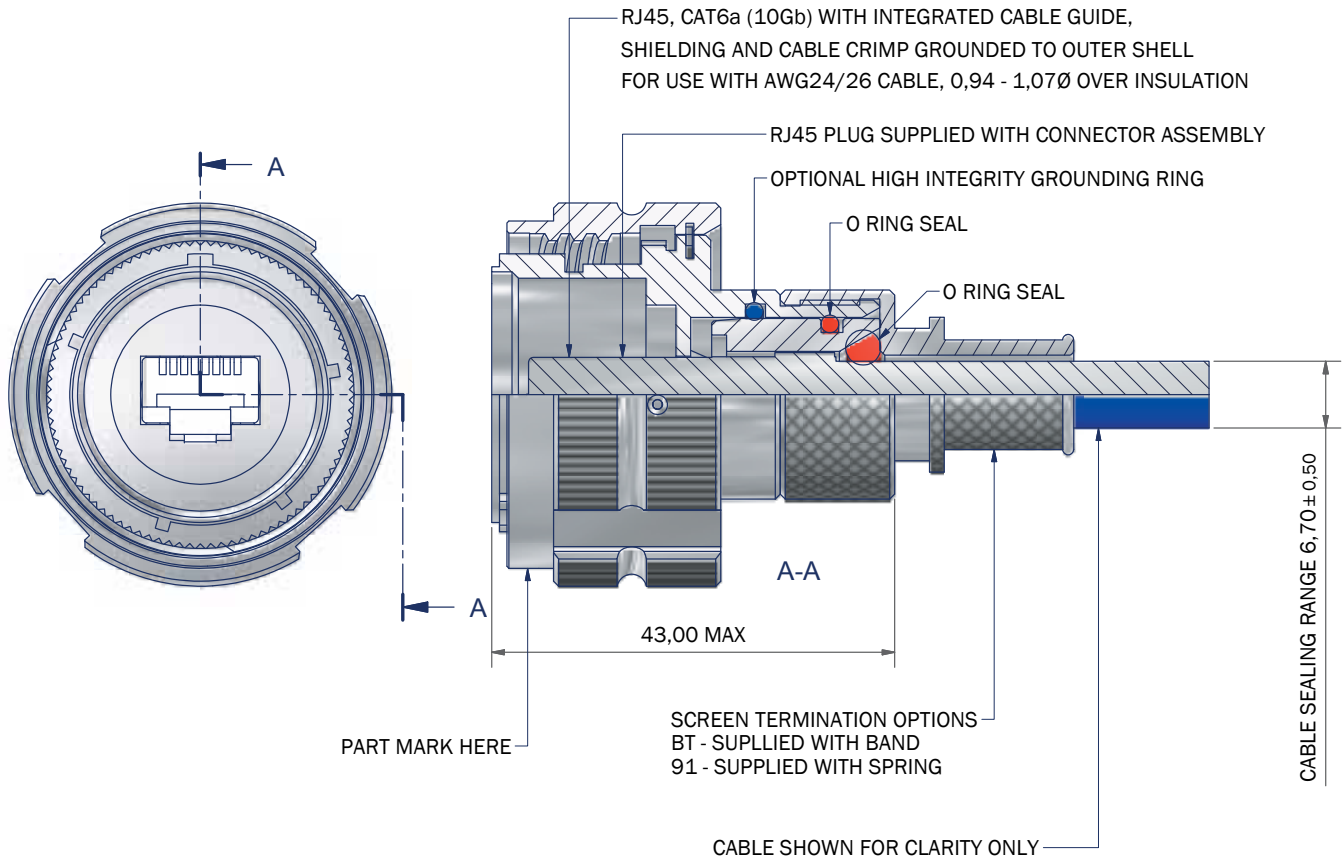
RJ45 Cat6 & Cat6a Tooling Options: See Page 18

Connector Modifications: See Page 19



### Interconnect Solutions Worldwide

Contents



**NOTES**  
 GENERALLY TO THE REQUIREMENTS OF  
 MIL-DTL-38999  
 PLATING: SEE PAGES 15 - 16  
 MATERIALS: SEE PAGE 15

**RJ45**  
 CONTACTS SELECTIVE GOLD PLATING  
 SHIELDING - NICKEL PLATED BRASS  
 BODY - PBT, UL94V-0  
 SEAL - SILICONE

**PERFORMANCE**  
 VOLTAGE RATING 50V DC / 35V AC  
 TEMPERATURE -40°C TO +120°C

EXAMPLE PART NUMBER PC4D0018BT-19N-1-C-H	
PC4D0018	POLAMCO SERIES
BT =	BT - SUPPLIED WITH BAND, 91 SUPPLIED WITH SPRING
19 =	SHELL SIZE
N =	KEY ARRANGEMENT, OPTIONS N, A, B, C, D, E
1 =	MATERIAL (ALUMINIUM ALLOY) SEE PAGE 3
C =	PLATING: SEE PAGES 3 - 4
H =	HIGH INTEGRITY GROUNDING (OMIT FOR STANDARD)

PART NUMBER AND BATCH CODE WILL BE MARKED ON THE ASSEMBLY UNLESS OTHERWISE SPECIFIED

Tel: +44 (0)845 017 1545

DRAWING NOT TO SCALE  
 DIMENSIONS IN MM

THIS DRAWING IS THE PROPERTY OF POLAMCO LTD AND MUST NOT BE USED FOR COMMERCIAL PURPOSES WITHOUT WRITTEN CONSENT OF THE COMPANY

# RJ45 Cat6a Connectors

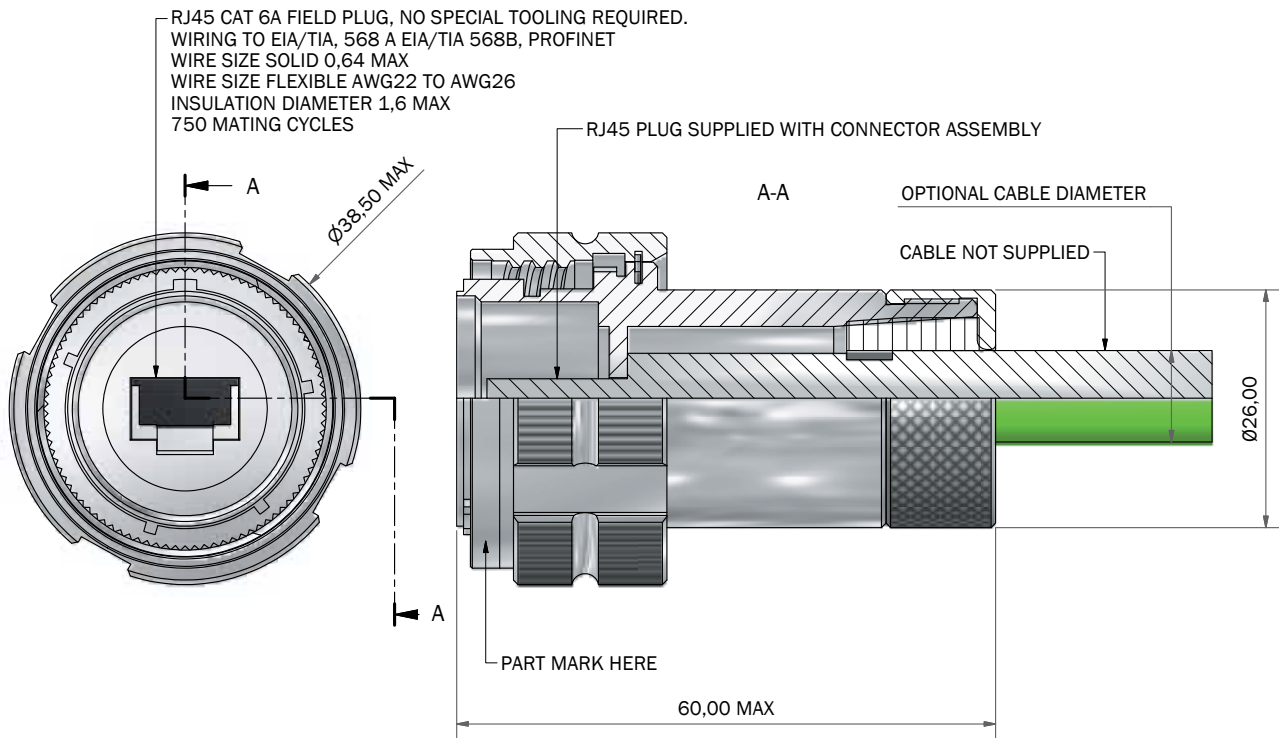
## PC4D0023 - Field Plug Connector Assembly (No Tooling Required)



Connector Modifications: See Page 19

Interconnect Solutions Worldwide

Contents



**NOTES**

GENERALLY TO THE REQUIREMENTS OF MIL-DTL-38999

**FINISH**

SEE PAGES 15 - 16

**MATERIALS**

RJ45 PLUG  
CONTACTS COPPER WITH SELECTIVE GOLD PLATING  
HOUSING - ZINC DIECAST  
SEAL - SILICONE

**PERFORMANCE**

TEMPERATURE -40°C TO +70°C

EXAMPLE PART NUMBER PC4D0023-19N-1-C	
PC4D0023 =	POLAMCO SERIES
19 =	SHELL SIZE
10 =	CABLE DIAMETER IN MM +/-0,5 OPTIONS 06, 08 AND 10
N =	KEY ARRANGEMENT, OPTIONS N, A, B, C, D, E
1 =	MATERIAL (ALUMINIUM ALLOY) SEE PAGE 3
C =	PLATING: SEE PAGES 3 - 4

PART NUMBER FOR UNGROUNDED VERSION: PC4D0023-19N-1-C-U

PART NUMBER AND BATCH CODE WILL BE MARKED ON THE ASSEMBLY UNLESS OTHERWISE SPECIFIED

DRAWING NOT TO SCALE  
DIMENSIONS IN MM

www.polamco.com



# RJ45 Cat5 Connectors

## Plug Assembly Tooling



Interconnect Solutions Worldwide

### Crimp Tool

#### Features

1-step crimp tool crimps all contacts and fixes the square crimp in one action



### Part Number

Y-ConTool-11

### Cable Stripping Tool

#### Features

Cable stripping tool with adjustable blades



### Part Number

Y-ConTool-20

### Cable-to-Plug Assembly Tool

#### Features

Enables easy assembly when inserting the cable and insert into the plug



### Part Number

Y-ConTool-30

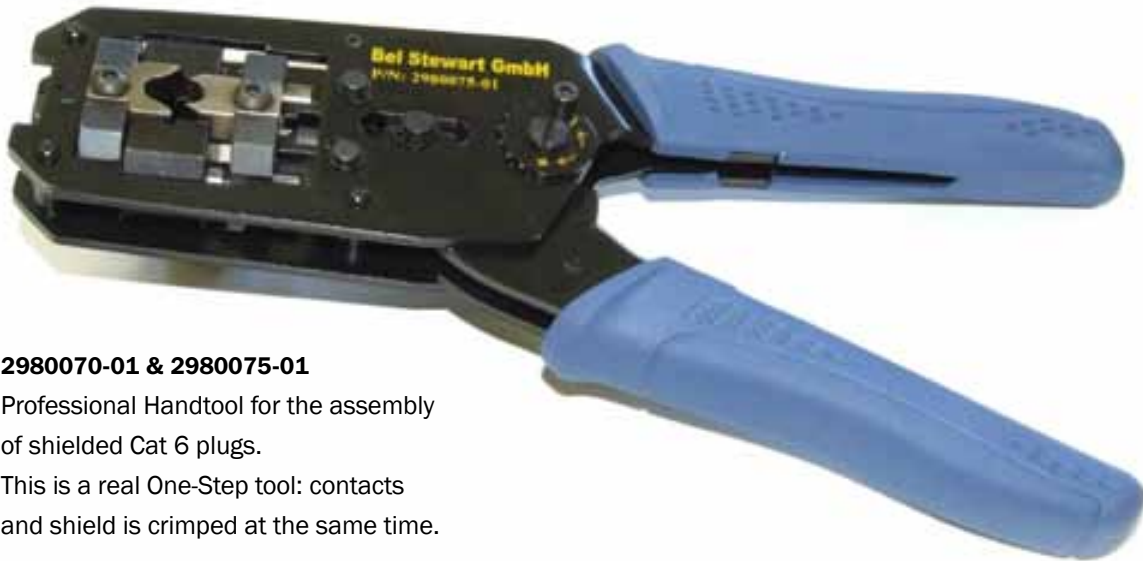
Contents

# RJ45 Cat6 & Cat6a Connectors

## Plug Assembly Tooling



Interconnect Solutions Worldwide



### 2980070-01 & 2980075-01

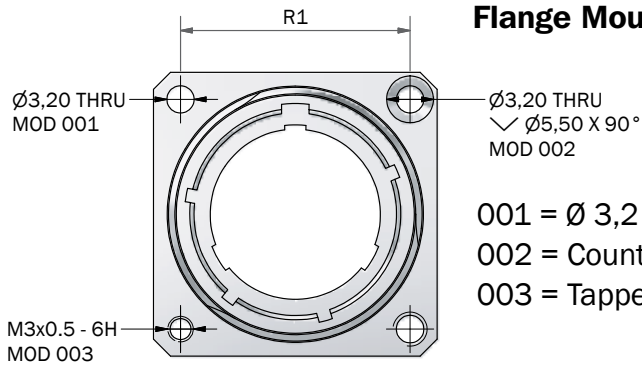
Professional Handtool for the assembly of shielded Cat 6 plugs.

This is a real One-Step tool: contacts and shield is crimped at the same time.



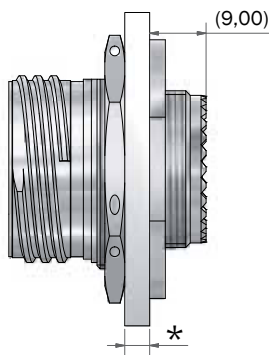
PLUG	PART NUMBER	OUTER CABLE Ø
SS-39200-010 / 011	2980075-01	MORE THAN 6MM

Contents ▶



### Flange Mount Options for PC420 Series

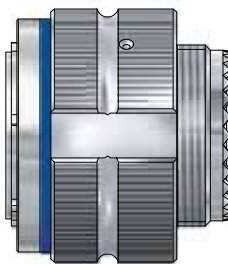
- 001 = Ø 3,2
- 002 = Countersunk
- 003 = Tapped M3



### Optional Panel Thickness for PC424 Series

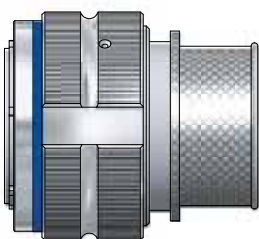
Jam nut thread length increased to suit various panels wall section.

- \* 1,58 - 3,20 STANDARD PANEL THICKNESS
- L = OPTIONAL PANEL THICKNESS



### Torque Differential Option for PC426 Series

The plug coupling nut incorporates a 2:1 torque differential for high vibration applications.



### Integral Backshells For PC420 / 24 / 26

Integral backshell options utilised where there is insufficient room to install a separate backshell options include, 91 & BT series.



Компания «ЭлектроПласт» предлагает заключение долгосрочных отношений при поставках импортных электронных компонентов на взаимовыгодных условиях!

Наши преимущества:

- Оперативные поставки широкого спектра электронных компонентов отечественного и импортного производства напрямую от производителей и с крупнейших мировых складов;
- Поставка более 17-ти миллионов наименований электронных компонентов;
- Поставка сложных, дефицитных, либо снятых с производства позиций;
- Оперативные сроки поставки под заказ (от 5 рабочих дней);
- Экспресс доставка в любую точку России;
- Техническая поддержка проекта, помощь в подборе аналогов, поставка прототипов;
- Система менеджмента качества сертифицирована по Международному стандарту ISO 9001;
- Лицензия ФСБ на осуществление работ с использованием сведений, составляющих государственную тайну;
- Поставка специализированных компонентов (Xilinx, Altera, Analog Devices, Intersil, Interpoint, Microsemi, Aeroflex, Peregrine, Syfer, Eurofarad, Texas Instrument, Miteq, Cobham, E2V, MA-COM, Hittite, Mini-Circuits, General Dynamics и др.);

Помимо этого, одним из направлений компании «ЭлектроПласт» является направление «Источники питания». Мы предлагаем Вам помощь Конструкторского отдела:

- Подбор оптимального решения, техническое обоснование при выборе компонента;
- Подбор аналогов;
- Консультации по применению компонента;
- Поставка образцов и прототипов;
- Техническая поддержка проекта;
- Защита от снятия компонента с производства.



#### Как с нами связаться

**Телефон:** 8 (812) 309 58 32 (многоканальный)

**Факс:** 8 (812) 320-02-42

**Электронная почта:** [org@eplast1.ru](mailto:org@eplast1.ru)

**Адрес:** 198099, г. Санкт-Петербург, ул. Калинина, дом 2, корпус 4, литера А.