

**PLEASE CHECK WWW.MOLEX.COM FOR LATEST PART INFORMATION**

**Part Number:** [5010171008](#)  
**Status:** **Active**  
**Description:** 0.40mm (.016") Pitch Board-to-Board Receptacle, SMT, Dual Row, Vertical, 4.00mm (.157") Stacking Height, 100 Circuits

**Documents:**

[3D Model](#) [Product Specification PS-54684-008 \(PDF\)](#)  
[Drawing \(PDF\)](#) [RoHS Certificate of Compliance \(PDF\)](#)

**General**

Product Family	PCB Headers
Series	<a href="#">501017</a>
Application	Board-to-Board
Product Name	N/A

**Physical**

Breakaway	No
Circuits (Loaded)	100
Color - Resin	Brown
Durability (mating cycles max)	30
First Mate / Last Break	No
Glow-Wire Compliant	No
Guide to Mating Part	No
Keying to Mating Part	None
Lock to Mating Part	None
Mated Height (in)	0.157 In
Mated Height (mm)	4.00 mm
Material - Metal	Phosphor Bronze
Material - Plating Mating	Gold
Material - Plating Termination	Gold
Number of Rows	2
Orientation	Vertical
PCB Locator	No
PCB Retention	None
Packaging Type	Embossed Tape on Reel
Pitch - Mating Interface (in)	0.016 In
Pitch - Mating Interface (mm)	0.40 mm
Pitch - Term. Interface (in)	0.016 In
Pitch - Term. Interface (mm)	0.40 mm
Polarized to Mating Part	No
Polarized to PCB	No
Stackable	No
Temperature Range - Operating	-25°C to +105°C
Termination Interface: Style	Surface Mount

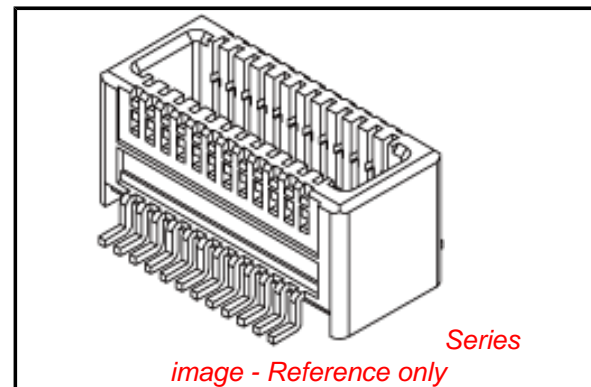
**Electrical**

Current - Maximum per Contact	0.3A
Voltage - Maximum	30V AC (RMS)/DC

**Material Info**

**Reference - Drawing Numbers**

Packaging Specification	SPK-501017-001
Product Specification	PS-54684-008, RPS-54684-017
Sales Drawing	SD-501017-001, SD-501017-002



**EU RoHS**

**ELV and RoHS Compliant**  
**REACH SVHC**  
 Not Reviewed  
**Halogen-Free Status**

**China RoHS**



**Need more information on product environmental compliance?**

Email [productcompliance@molex.com](mailto:productcompliance@molex.com)  
 For a multiple part number RoHS Certificate of Compliance, [click here](#)

Please visit the [Contact Us](#) section for any non-product compliance questions.

**Search Parts in this Series**

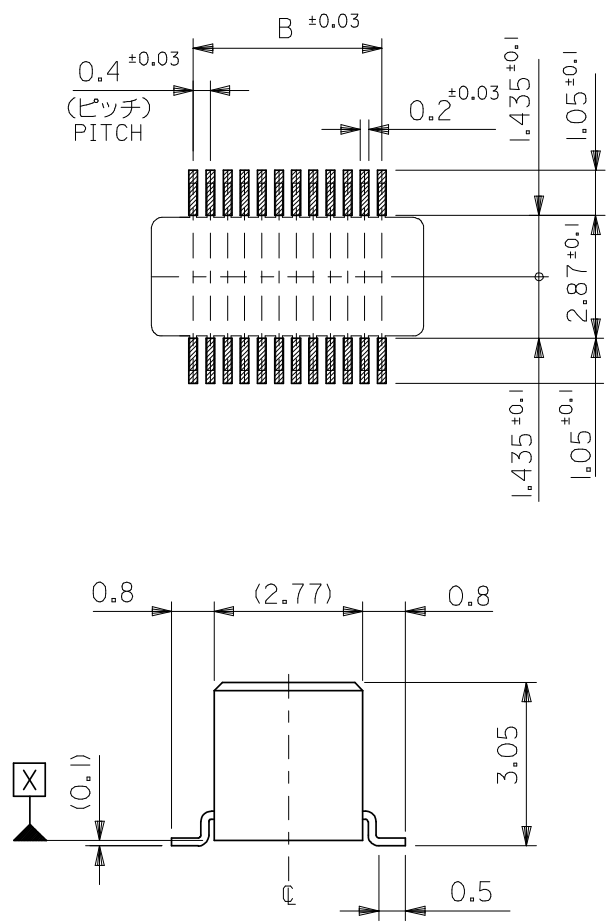
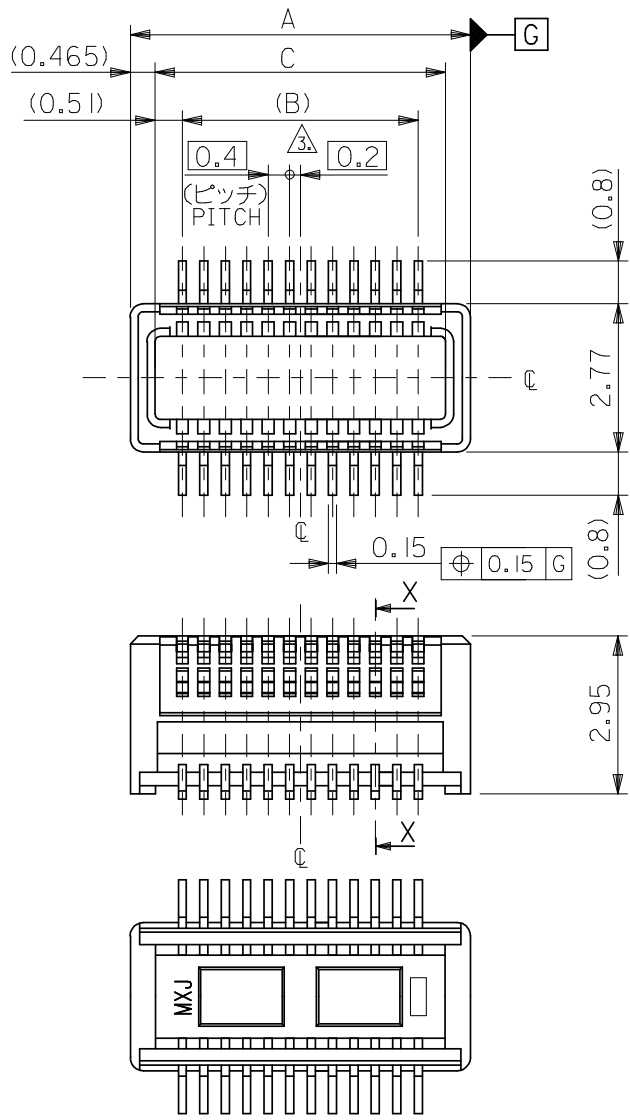
[501017Series](#)

**Mates With**

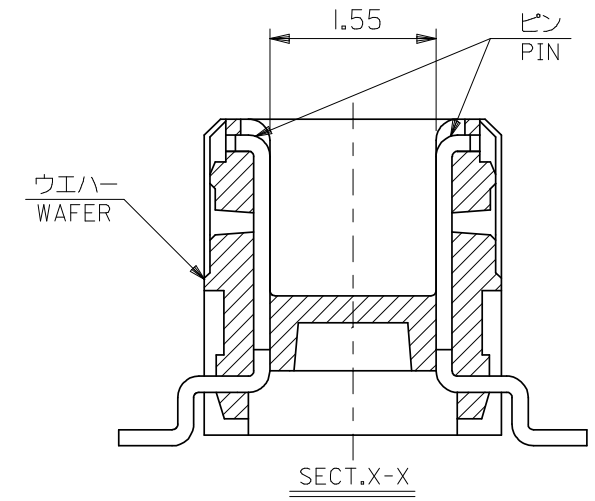
[54684 PCB Receptacle](#)

This document was generated on 05/18/2010

**PLEASE CHECK [WWW.MOLEX.COM](http://WWW.MOLEX.COM) FOR LATEST PART INFORMATION**



参考基板レイアウト (マウント面)  
 RECOMMENDED P.C.BOARD  
 PATTERN DIMENSION. (REF.)  
 (MOUNTING AREA)



20.64	19.6	21.55	501017-1007	100
16.63	15.6	17.55	501017-0807	80
12.64	11.6	13.55	501017-0607	60
10.64	9.6	11.55	501017-0507	50
5.42	4.4	6.35	501017-0247	24
C	B	A	MATERIAL NO.	CIRCUIT

MODEL NO. 501017-\*\*\*\*7

MATERIAL  
 材料  
 注記参照  
 SEE NOTES

REVISED  
 EC NO: J2008-2284  
 DRWN: YMAEDA 2007/12/04  
 CHKD: NUKITA 2007/12/06  
 APPR: NUKITA 2007/12/06

DESCRIPTION

GENERAL TOLERANCES (UNLESS SPECIFIED)

10 UNDER	±0.2
10 OVER 30 UNDER	±0.25
30 OVER	±0.3
ANGULAR	±--- °

DRAFT WHERE APPLICABLE  
 MUST REMAIN  
 WITHIN DIMENSIONS

DIMENSION STYLE  
 MM ONLY

SCALE  
 ---

DESIGN UNITS  
 METRIC

THIRD ANGLE  
 PROJECTION

TITLE  
 0.4MM B-TO-B CONN  
 NO BOSS PLUG ASSY  
 (HGT=4MM)

APPROVED BY  
 M. SASAO 2004/06/05

MATERIAL NO.  
 SEE TABLE

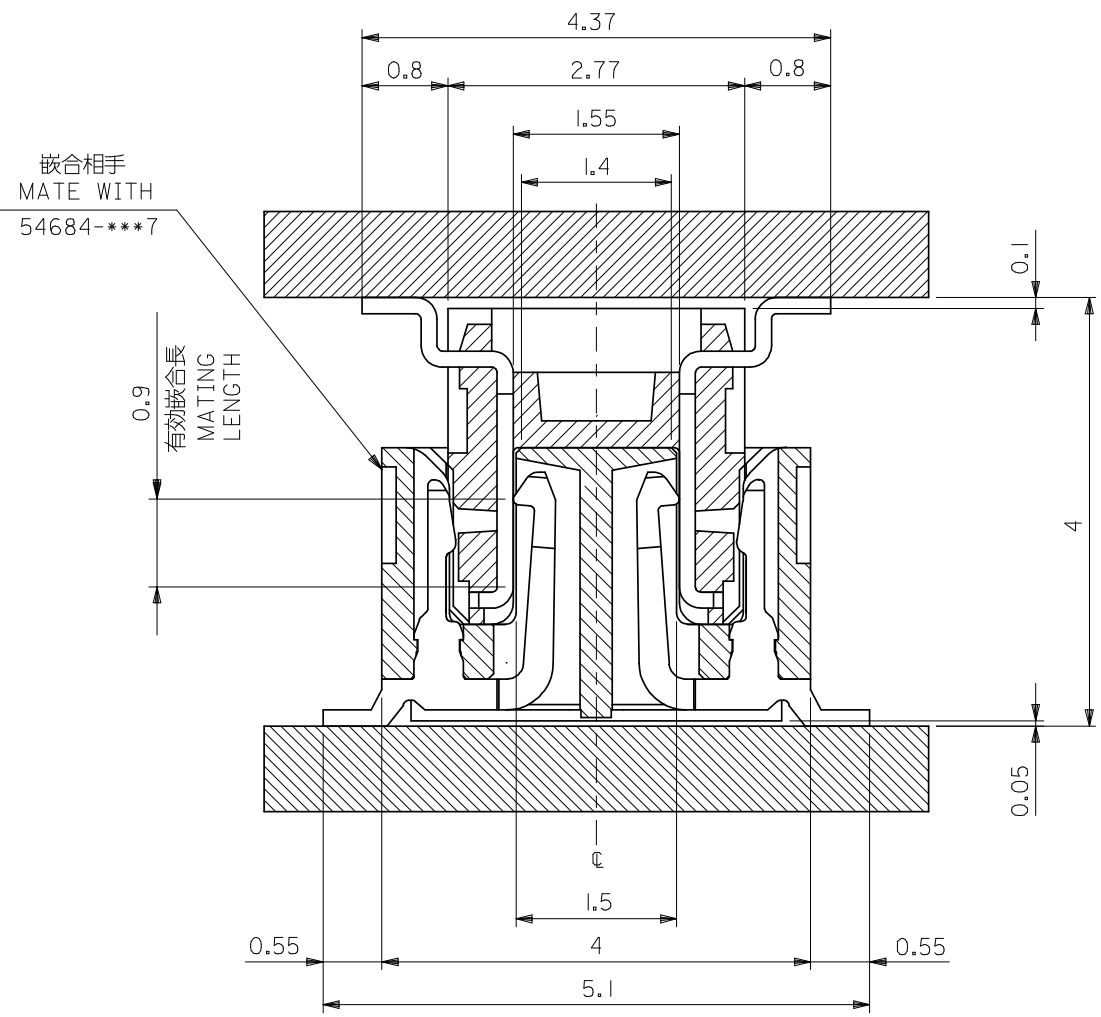
SIZE  
 A3

MOLEX INCORPORATED

DOCUMENT NO.  
 SD-501017-001

SHEET NO.  
 1 OF 2

THIS DRAWING CONTAINS INFORMATION THAT IS PROPRIETARY TO MOLEX  
 INCORPORATED AND SHOULD NOT BE USED WITHOUT WRITTEN PERMISSION



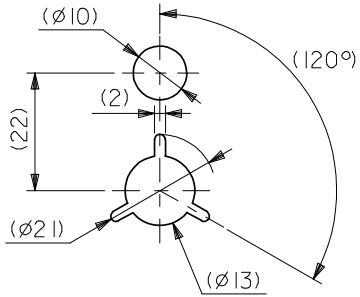
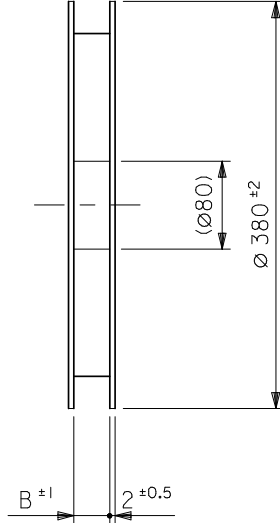
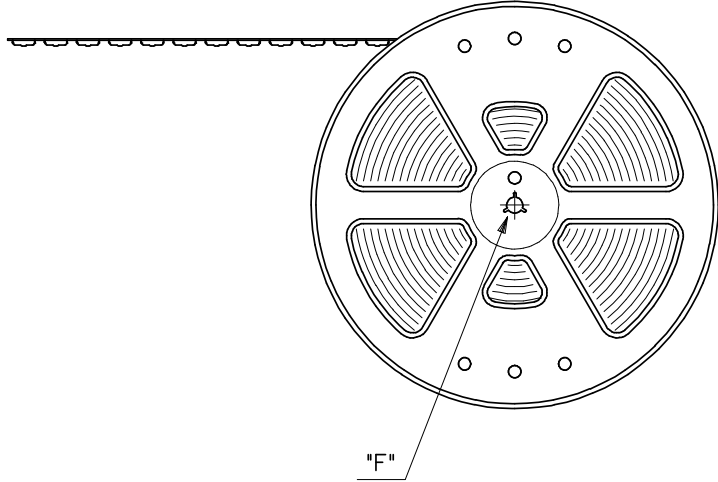
注記 NOTES:

1. 使用材料 MATERIAL  
 ウエハー:液晶ポリマー ガラス充填 UL94V-0 茶色  
 WAFER:LIQUID CRYSTAL POLYMER  
 GLASS FILLED UL94V-0  
 COLOR BROWN  
 ピン:リン青銅 (t=0.15)  
 PIN:PHOSPHOR BRONZE(t=0.15)
2. メッキ仕様 PLATING  
 金メッキ 0.25 マイクロメートル以上(コンタクト部)  
 GOLD 0.25MICROMETER MINIMUM(CONTACT AREA)  
 金メッキ 0.4 マイクロメートル以下(テール部)  
 GOLD 0.4MICROMETER MAXIMUM(TAIL AREA)  
 下地メッキ:ニッケルメッキ 1.5 マイクロメートル以上  
 UNDER PLATING : NICKEL 1.5MICROMETER MINIMUM
3. (全極数/2) = 偶数の場合に適用。  
 APPLY FOR (CIRCUIT/2)=EVEN.
4. 嵌合相手:54684 シリーズ  
 MATE WITH : 54684 SERIES.
5. テール平坦度は、0.10 MAX.  
 TAIL COPLANARITY TO BE 0.10 MAX.  
 又、テール半田付け面の位置はウエハーの底面  に対し  
 上方向に0、下方向に0.15MAX.とする。  
 MISALIGNMENT OF SOLDER TAILS FROM   
 : UPPER DIRECTION 0  
 : LOWER DIRECTION 0.15 MAX.

嵌合断面図 (参考)  
 MATED DRAWING (REF.)

MATERIAL 材料	SHEET 1 OF 2 参照 REFER TO SHEET 1 OF 2	REVISED EC NO: J2008-2284 DRWN:YMAEDA 2007/12/04 CHKD:NUKITA 2007/12/06 APPR:NUKITA 2007/12/06	DESCRIPTION	GENERAL TOLERANCES (UNLESS SPECIFIED)		DIMENSION STYLE MM ONLY		SCALE ---	DESIGN UNITS METRIC	THIRD ANGLE PROJECTION
				10 UNDER	±0.2	DRAWN BY Y. NUKANO	DATE 2004/06/05	TITLE 0.4MM B-TO-B CONN NO BOSS PLUG ASSY (HGT=4MM)		
				10 OVER 30 UNDER	±0.25	CHECKED BY T. HIRATA	DATE 2004/06/05	MOLEX INCORPORATED		
				30 OVER	±0.3	APPROVED BY M. SASAO	DATE 2004/06/05	DOCUMENT NO. SD-501017-001		SHEET NO. 2 OF 2
				ANGULAR	±--- °	MATERIAL NO. SEE TABLE				
				DRAFT WHERE APPLICABLE MUST REMAIN WITHIN DIMENSIONS		THIS DRAWING CONTAINS INFORMATION THAT IS PROPRIETARY TO MOLEX INCORPORATED AND SHOULD NOT BE USED WITHOUT WRITTEN PERMISSION				

引き出し方向  
PULL OUT  
DIRECTION

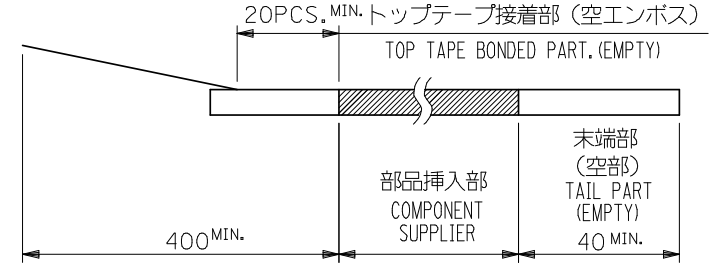


DETAIL "F"

NOTES

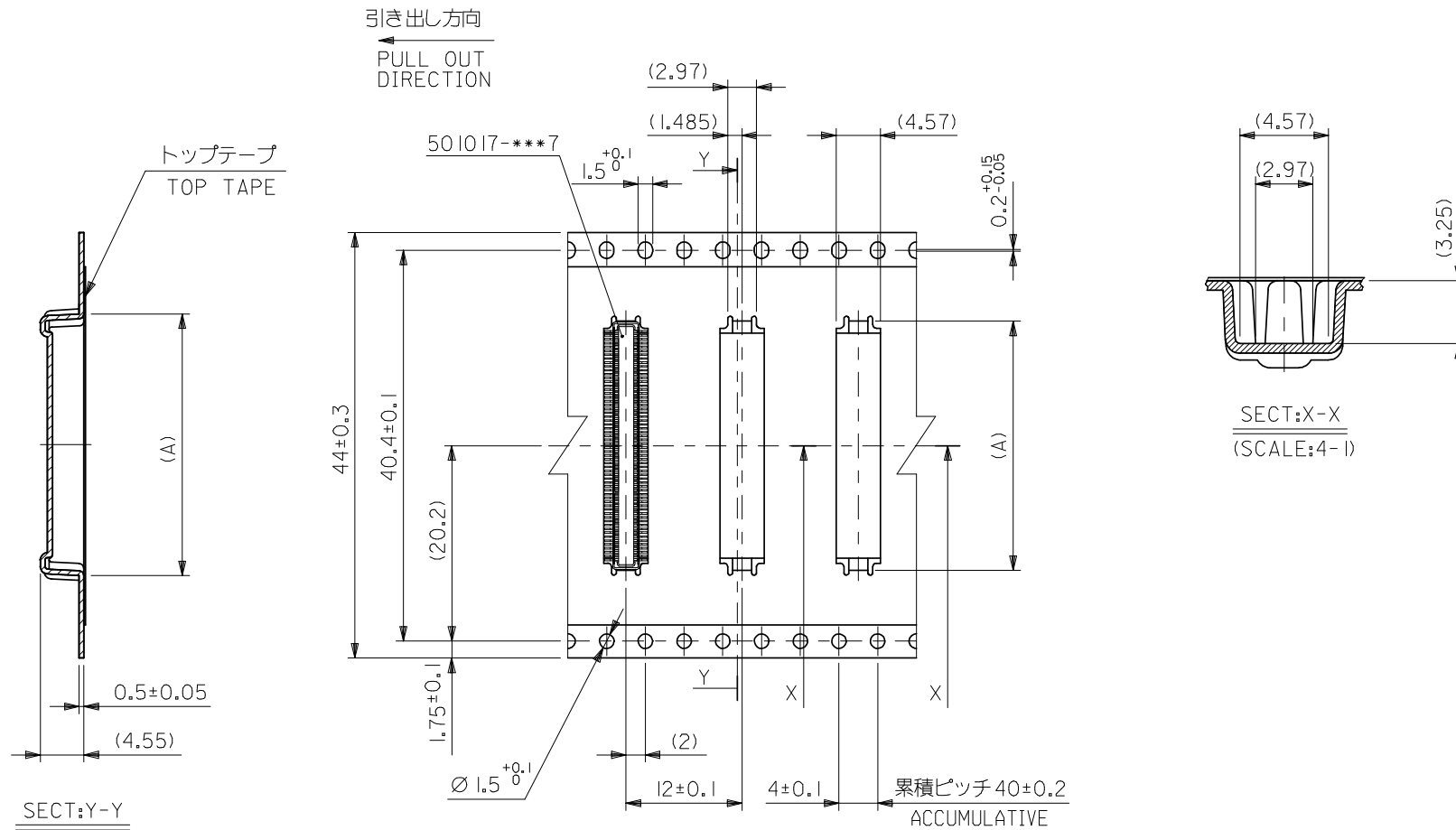
- 製品詳細寸法については図面 SD-501017-001 を参照下さい。  
RE DETAILED DIMENSION, SEE SD-501017-001
- 梱包数量：1500個/リール  
NUMBER OF CONNECTORS：1500PCS/REEL
- リードテープ長さ LEAD TAPE LENGTH  
20PCS. MIN. トップテープ接着部 (空エンボス)  
TOP TAPE BONDED PART. (EMPTY)  
部品挿入部  
COMPONENT  
SUPPLIER  
400 MIN.  
末端部 (空部)  
TAIL PART  
(EMPTY)  
40 MIN.
- トップテープの剥離強度：「JES-59」参照  
PEELING OFF FORCE OF TOPTAPE：SEE「JES-59」
- シール位置はトップテープ両端から0.5mm以上内側にて行い、  
且つエンボスポケット面にかからない位置とする。  
SEAL POSITION IS 0.5mm OR MORE INNER SIDE FROM TOP TAPE BOTH ENDS  
AND WHICH IS NOT TAKE ON THE EMBOSSED POKET SIDE.
- 材料 (MATERIAL)  
キャリアテープ (CARRIER TAPE)：ポリプロピレン (POLYPROPYLENE)  
トップテープ (TOPTAPE)：PET, PE, PEF  
リール (REEL)：ポリスチレン (PS) <リサイクル材を含む>  
POLYSTYRENE (PS) <RECYCLE MATERIAL CONTAINED>

引き出し方向  
PULL OUT  
DIRECTION



MODEL NO. 501017-\*\*\*8

REVISED EC NO: J2008-2284 DRWN: YMAEDA 2007/12/04 CHKD: NUKITA 2007/12/06 APPR: NUKITA 2007/12/06	DESCRIPTION	GENERAL TOLERANCES (UNLESS SPECIFIED)		DIMENSION STYLE MM ONLY		SCALE ---	DESIGN UNITS METRIC	THIRD ANGLE PROJECTION		
		10 UNDER	±0.2	DRAWN BY YNUKANOBU	DATE 2004/06/05	TITLE EMBOSSSED TAPE PACKAGE FOR 501017-***7				
		10 OVER 30 UNDER	±0.25	CHECKED BY THIRATA	DATE 2004/06/05	MOLEX INCORPORATED				
		30 OVER	±0.3	APPROVED BY MSASAO	DATE 2004/06/05	MATERIAL NO. SEE TABLE		DOCUMENT NO. SD-501017-002		SHEET NO. 1 OF 4
		ANGULAR ±3 °		DRAFT WHERE APPLICABLE MUST REMAIN WITHIN DIMENSIONS		THIS DRAWING CONTAINS INFORMATION THAT IS PROPRIETARY TO MOLEX INCORPORATED AND SHOULD NOT BE USED WITHOUT WRITTEN PERMISSION				

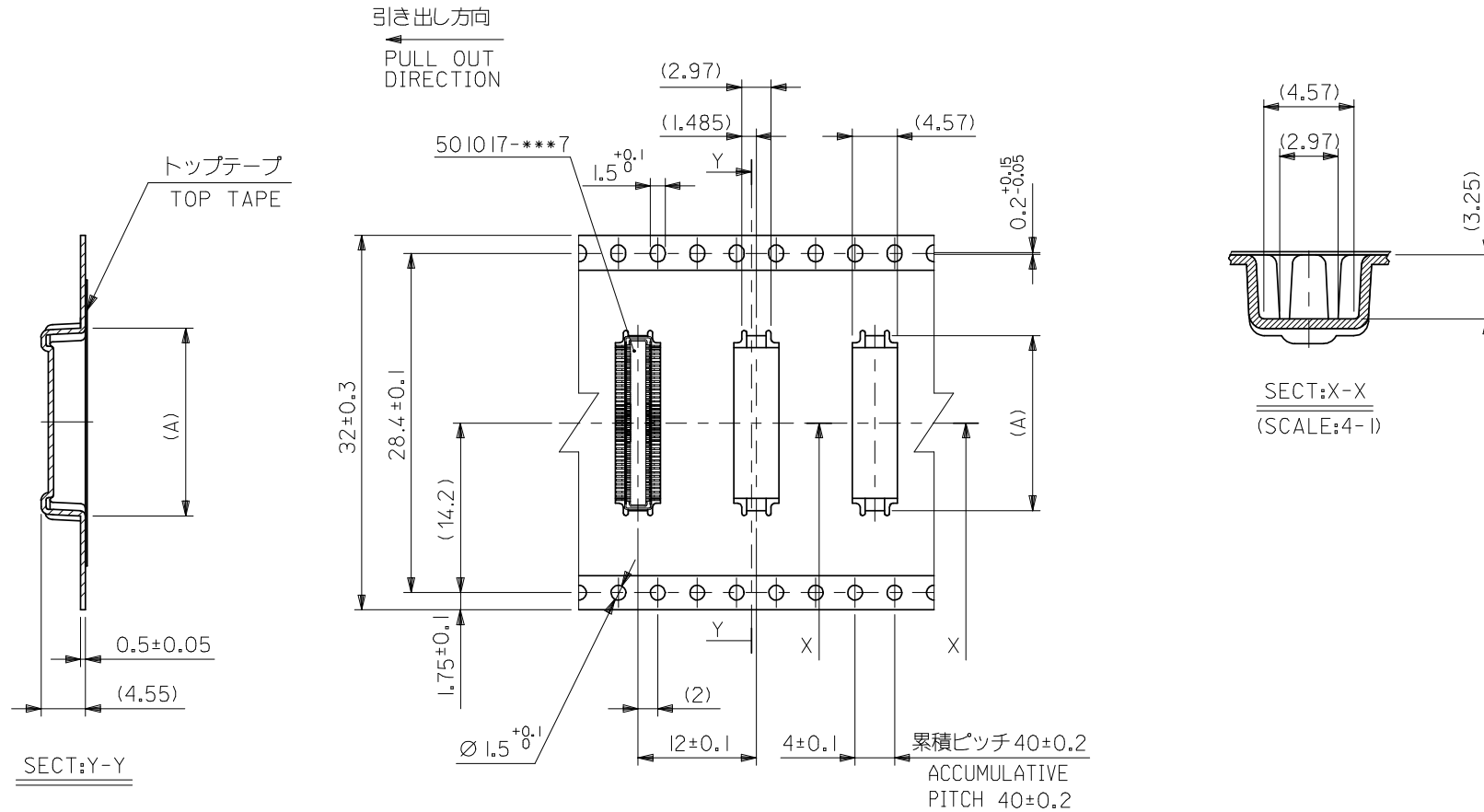


44mm幅キャリアテープ  
44mm WIDTH CARRIER TAPE

累積ピッチ 40±0.2  
ACCUMULATIVE PITCH 40±0.2

44	45.5	21.75	501017-1008	100
キャリアテープ幅 CARRIER TAPE WIDTH	B	(A)	MATERIAL NO.	極数 CKT.
MODEL NO.			501017-***8	

REVISED EC NO: J2008-2284 DRWN: YMAEDA 2007/12/04 CH'KD: NUKITA 2007/12/06 APPR: NUKITA 2007/12/06	GENERAL TOLERANCES (UNLESS SPECIFIED)		DIMENSION STYLE	SCALE	DESIGN UNITS	THIRD ANGLE PROJECTION
			MM ONLY	---	METRIC	
	10 UNDER	±0.2	DRAWN BY	DATE	TITLE	EMBOSSD TAPE PACKAGE FOR 501017-***7
	10 OVER 30 UNDER	±0.25	YNUKANOBU	2004/06/05		
	30 OVER	±0.3	CHECKED BY	DATE		
ANGULAR	±3 °	THIRATA	2004/06/05	APPROVED BY	DATE	MOLEX INCORPORATED
DRAFT WHERE APPLICABLE MUST REMAIN WITHIN DIMENSIONS		MSASAO	2004/06/05	MATERIAL NO.	DOCUMENT NO.	
D	REV	SEE TABLE		SD-501017-002		SHEET NO. 2 OF 4
				THIS DRAWING CONTAINS INFORMATION THAT IS PROPRIETARY TO MOLEX INCORPORATED AND SHOULD NOT BE USED WITHOUT WRITTEN PERMISSION		

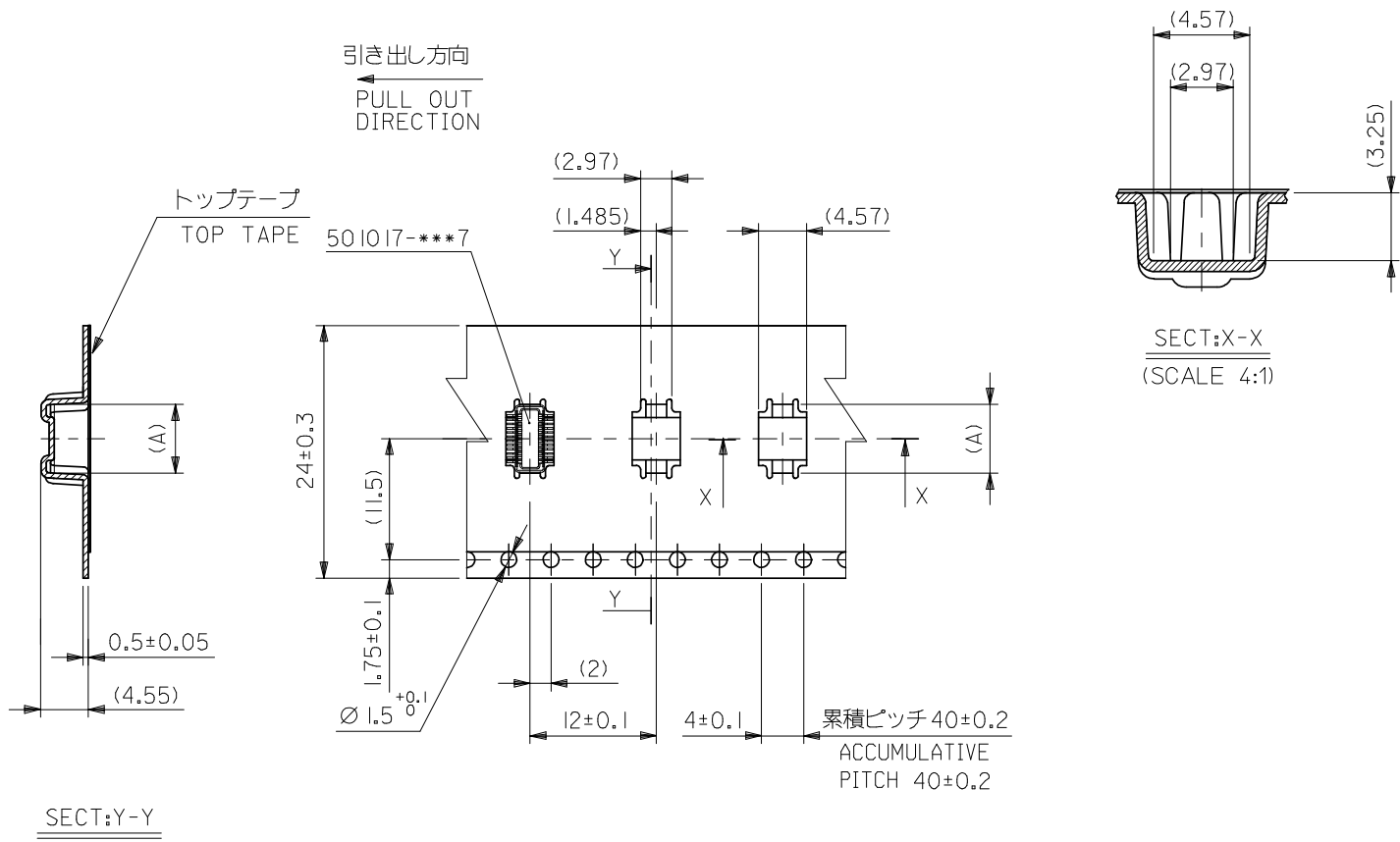


32 mm幅キャリアテープ  
32 mm WIDTH CARRIER TAPE

32	33.5	17.75	501017-0808	80
		13.75	501017-0608	60
		11.75	501017-0508	50
キャリアテープ幅 CARRIER TAPE WIDTH	B	(A)	MATERIAL NO.	極数 CKT.

MODEL NO. 501017-\*\*\*8

REVISED EC NO: J2008-2284 DRWN:YMAEDA 2007/12/04 CH'KD:NUKITA 2007/12/06 APPR:NUKITA 2007/12/06	GENERAL TOLERANCES (UNLESS SPECIFIED)		DIMENSION STYLE	SCALE	DESIGN UNITS	THIRD ANGLE PROJECTION
			MM ONLY	---	METRIC	
	10 UNDER	±0.2	DRAWN BY	DATE	TITLE	
	10 OVER 30 UNDER	±0.25	YNUKANOBU	2004/06/05	EMBOSSED TAPE PACKAGE FOR 501017-***7	
	30 OVER	±0.3	CHECKED BY	DATE	MOLEX INCORPORATED	
ANGULAR	±3 °	THIRATA	2004/06/05	MATERIAL NO. SD-501017-002		
DRAFT WHERE APPLICABLE MUST REMAIN WITHIN DIMENSIONS		APPROVED BY	DATE	DOCUMENT NO.		SHEET NO.
		MSASAO	2004/06/05	SEE TABLE		3 OF 4
		THIS DRAWING CONTAINS INFORMATION THAT IS PROPRIETARY TO MOLEX INCORPORATED AND SHOULD NOT BE USED WITHOUT WRITTEN PERMISSION				



24mm幅キャリアテープ  
24mm WIDTH CARRIER TAPE

24	25.5	6.55	501017-0248	24
キャリアテープ幅 CARRIER TAPE WIDTH	B	A	MATERIAL NO.	極数 CKT.
MODEL NO.			501017-***8	

REVISED EC NO: J2008-2284 DRWN: YMAEDA 2007/12/04 CHKD: NUKITA 2007/12/06 APPR: NUKITA 2007/12/06 REV D	GENERAL TOLERANCES (UNLESS SPECIFIED)		DIMENSION STYLE	SCALE	DESIGN UNITS	THIRD ANGLE PROJECTION	
			MM ONLY	---	METRIC		
	10 UNDER ±0.2		DRAWN BY	DATE	TITLE		
	10 OVER 30 UNDER ±0.25		YNUKANOBU	2004/06/05			
	30 OVER ±0.3		CHECKED BY	DATE	EMBOSSED TAPE PACKAGE FOR 501017-***7		
ANGULAR ±3 °		THIRATA	2004/06/05				
DRAFT WHERE APPLICABLE MUST REMAIN WITHIN DIMENSIONS		APPROVED BY	DATE	MOLEX INCORPORATED			
		MSASAO	2004/06/05				
		MATERIAL NO.		DOCUMENT NO.		SHEET NO.	
		SEE TABLE		SD-501017-002		4 OF 4	
		THIS DRAWING CONTAINS INFORMATION THAT IS PROPRIETARY TO MOLEX INCORPORATED AND SHOULD NOT BE USED WITHOUT WRITTEN PERMISSION					





Компания «ЭлектроПласт» предлагает заключение долгосрочных отношений при поставках импортных электронных компонентов на взаимовыгодных условиях!

Наши преимущества:

- Оперативные поставки широкого спектра электронных компонентов отечественного и импортного производства напрямую от производителей и с крупнейших мировых складов;
- Поставка более 17-ти миллионов наименований электронных компонентов;
- Поставка сложных, дефицитных, либо снятых с производства позиций;
- Оперативные сроки поставки под заказ (от 5 рабочих дней);
- Экспресс доставка в любую точку России;
- Техническая поддержка проекта, помощь в подборе аналогов, поставка прототипов;
- Система менеджмента качества сертифицирована по Международному стандарту ISO 9001;
- Лицензия ФСБ на осуществление работ с использованием сведений, составляющих государственную тайну;
- Поставка специализированных компонентов (Xilinx, Altera, Analog Devices, Intersil, Interpoint, Microsemi, Aeroflex, Peregrine, Syfer, Eurofarad, Texas Instrument, Miteq, Cobham, E2V, MA-COM, Hittite, Mini-Circuits, General Dynamics и др.);

Помимо этого, одним из направлений компании «ЭлектроПласт» является направление «Источники питания». Мы предлагаем Вам помощь Конструкторского отдела:

- Подбор оптимального решения, техническое обоснование при выборе компонента;
- Подбор аналогов;
- Консультации по применению компонента;
- Поставка образцов и прототипов;
- Техническая поддержка проекта;
- Защита от снятия компонента с производства.



#### Как с нами связаться

**Телефон:** 8 (812) 309 58 32 (многоканальный)

**Факс:** 8 (812) 320-02-42

**Электронная почта:** [org@eplast1.ru](mailto:org@eplast1.ru)

**Адрес:** 198099, г. Санкт-Петербург, ул. Калинина, дом 2, корпус 4, литера А.