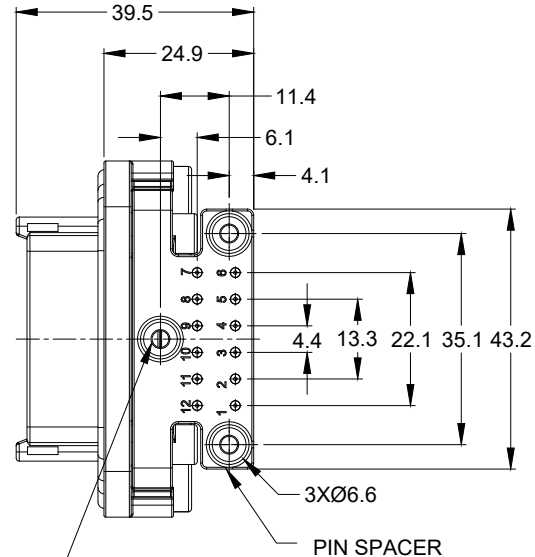
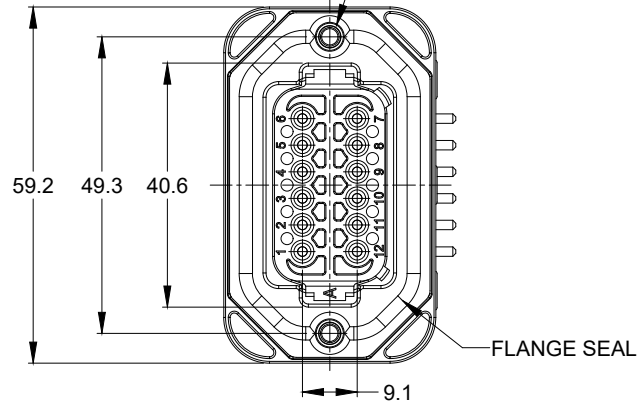


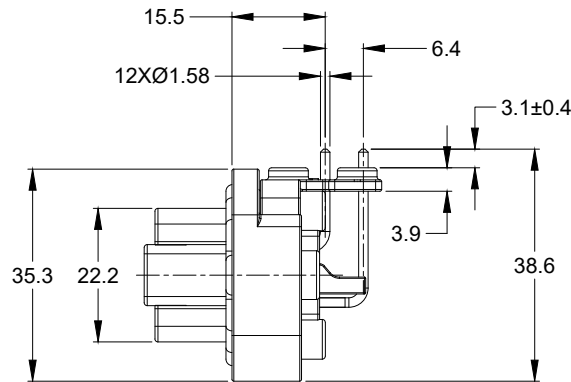
2xØ3.10±0.12x11.18 DP  
 RECOMMENDED SCREW: 6-19 [M3.63 x 1.34]  
 THREAD-FORMING SCREW,  
 TORQUE: 11-15 IN-LB [1.24-1.70 NM]



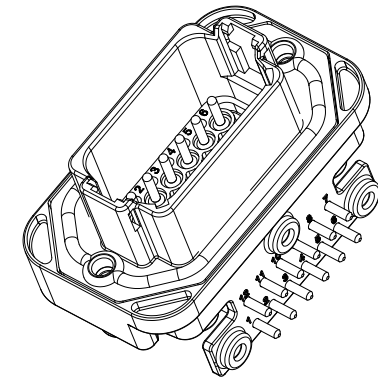
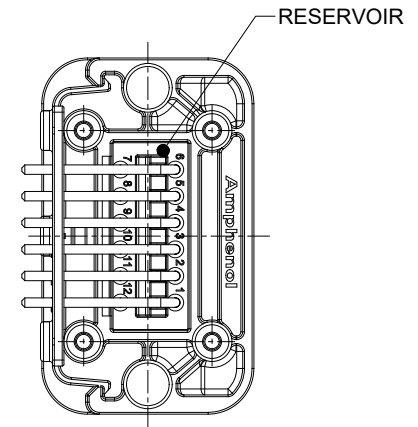
3xØ2.79±0.12  
 RECOMMENDED SCREW: 4-20 [M3.12 x 1.27]  
 THREAD-FORMING SCREW,  
 TORQUE: 6-10 IN-LB [0.68-1.13 NM]

NOTES: UNLESS OTHERWISE SPECIFIED

1. MATERIAL:  
 HOUSING: THERMOPLASTIC  
 SEAL: SILICONE RUBBER  
 CONTACT: COPPER ALLOY
2. MODIFICATIONS: FLANGE, PCB MOUNT, RIGHT ANGLE
3. SPECIFICATIONS:  
 3.1 CURRENT RATING: 13 AMPS  
 3.2 OPERATING TEMPERATURE: -55°C TO +125°C  
 3.3 DIELECTRIC WITHSTANDING VOLTAGE: LESS THAN 2 MILLIAMPS CURRENT LEAKAGE @ 1500 VOLTS AC.  
 3.4 INSULATION RESISTANCE: 1000 MEGOHMS MIN @ 25°C.  
 3.5 MOISTURE RESISTANCE: IP67 ( MATED CONDITION )  
 3.6 MATING CYCLE DURABILITY: 100 CYCLES  
 3.7 RoHS COMPLIANT
4. MATING PART: AT06-12S\* PLUG  
 (\* = MODIFICATIONS)
5. ALL DIMENSIONS ARE FOR REFERENCE USE ONLY.



REVISIONS					
REV	ECO	DESCRIPTION	DATE	BY	APPR
A1	--	RELEASE NEW DRAWING	19JUN18	JONY	TOMMY

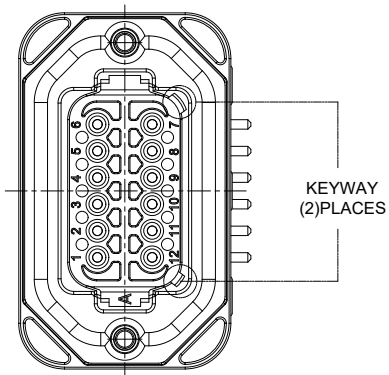


AT13-12PX-BMXX		DESCRIPTION		ITEM																																																																																					
PART NUMBER		DESCRIPTION		ITEM																																																																																					
<table border="1"> <thead> <tr> <th>QUANTITY</th> <th colspan="4">MATERIALS LIST</th> </tr> </thead> <tbody> <tr> <td colspan="5">UNLESS OTHERWISE SPECIFIED</td> </tr> <tr> <td colspan="5">1) All dimensions are in metric (mm).</td> </tr> <tr> <td colspan="5">2) Tolerances are as follows:</td> </tr> <tr> <td>1 PL DEC ±0.30</td> <td>Fractions ±1/64</td> <td colspan="3"></td> </tr> <tr> <td>2 PL DEC ±0.15</td> <td>Angles ±1°</td> <td colspan="3"></td> </tr> <tr> <td>3 PL DEC ±0.08</td> <td></td> <td colspan="3"></td> </tr> <tr> <td colspan="5">3) Note reference = </td> </tr> <tr> <td colspan="2">MATERIAL SPECIFICATIONS:</td> <td colspan="3">SIGNATURES DATE</td> </tr> <tr> <td colspan="2">PROCESS SPECIFICATIONS:</td> <td colspan="3">DRAWN: JONY.XIE 19JUN18</td> </tr> <tr> <td colspan="2">NEXT ASSY:</td> <td colspan="3">CHECKED: ORION.LI 19JUN18</td> </tr> <tr> <td colspan="2"></td> <td colspan="3">ENGINEER:</td> </tr> <tr> <td colspan="2"></td> <td colspan="3">APPROVAL: TOMMY.XIE 19JUN18</td> </tr> <tr> <td colspan="2"></td> <td colspan="3">CUSTOMER:</td> </tr> <tr> <td colspan="2"></td> <td colspan="3">THIS DRAWING IS SUPPLIED FOR INFORMATION ONLY. DESIGN FEATURES, SPECIFICATIONS AND PERFORMANCE DATA SHOWN HEREON ARE THE PROPERTY OF THE AMPHENOL CORPORATION. NO RIGHTS OF REPRODUCTION ARE IMPLIED. ALL DIMENSIONS ARE SUBJECT TO NORMAL MANUFACTURING VARIATIONS.</td> </tr> <tr> <td colspan="2"></td> <td>SIZE: B C-</td> <td>DWG NO: AT13-12PX-BMXX</td> <td>REVISION: A1</td> </tr> <tr> <td colspan="2"></td> <td>SCALE: NONE</td> <td colspan="2">SHEET 1 OF 3</td> </tr> </tbody> </table>					QUANTITY	MATERIALS LIST				UNLESS OTHERWISE SPECIFIED					1) All dimensions are in metric (mm).					2) Tolerances are as follows:					1 PL DEC ±0.30	Fractions ±1/64				2 PL DEC ±0.15	Angles ±1°				3 PL DEC ±0.08					3) Note reference =					MATERIAL SPECIFICATIONS:		SIGNATURES DATE			PROCESS SPECIFICATIONS:		DRAWN: JONY.XIE 19JUN18			NEXT ASSY:		CHECKED: ORION.LI 19JUN18					ENGINEER:					APPROVAL: TOMMY.XIE 19JUN18					CUSTOMER:					THIS DRAWING IS SUPPLIED FOR INFORMATION ONLY. DESIGN FEATURES, SPECIFICATIONS AND PERFORMANCE DATA SHOWN HEREON ARE THE PROPERTY OF THE AMPHENOL CORPORATION. NO RIGHTS OF REPRODUCTION ARE IMPLIED. ALL DIMENSIONS ARE SUBJECT TO NORMAL MANUFACTURING VARIATIONS.					SIZE: B C-	DWG NO: AT13-12PX-BMXX	REVISION: A1			SCALE: NONE	SHEET 1 OF 3	
QUANTITY	MATERIALS LIST																																																																																								
UNLESS OTHERWISE SPECIFIED																																																																																									
1) All dimensions are in metric (mm).																																																																																									
2) Tolerances are as follows:																																																																																									
1 PL DEC ±0.30	Fractions ±1/64																																																																																								
2 PL DEC ±0.15	Angles ±1°																																																																																								
3 PL DEC ±0.08																																																																																									
3) Note reference =																																																																																									
MATERIAL SPECIFICATIONS:		SIGNATURES DATE																																																																																							
PROCESS SPECIFICATIONS:		DRAWN: JONY.XIE 19JUN18																																																																																							
NEXT ASSY:		CHECKED: ORION.LI 19JUN18																																																																																							
		ENGINEER:																																																																																							
		APPROVAL: TOMMY.XIE 19JUN18																																																																																							
		CUSTOMER:																																																																																							
		THIS DRAWING IS SUPPLIED FOR INFORMATION ONLY. DESIGN FEATURES, SPECIFICATIONS AND PERFORMANCE DATA SHOWN HEREON ARE THE PROPERTY OF THE AMPHENOL CORPORATION. NO RIGHTS OF REPRODUCTION ARE IMPLIED. ALL DIMENSIONS ARE SUBJECT TO NORMAL MANUFACTURING VARIATIONS.																																																																																							
		SIZE: B C-	DWG NO: AT13-12PX-BMXX	REVISION: A1																																																																																					
		SCALE: NONE	SHEET 1 OF 3																																																																																						
<p>Sine Systems - www.amphenol-sine.com          44724 Morley Drive          Clinton Township, MI 48036</p> <p>PCB MOUNT RECEPTACLE, 12PIN          RA FLANGE, AT SERIES</p>																																																																																									

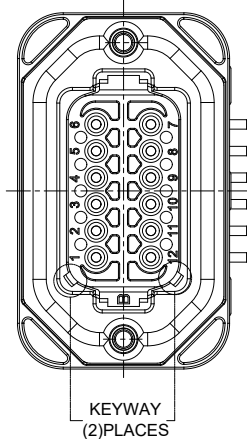
TITLE: PCB MOUNT RECEPTACLE 12PIN RA FLANGE AT SERIES  
 DWG NO: AT13-12PX-BMXX  
 REV: A1  
 SH: 1  
 OF: 3

REVISIONS					
REV	ECO	DESCRIPTION	DATE	BY	APPR
A1	--	RELEASE NEW DRAWING	19JUN18	JONY	TOMMY

P/N AT13-12PA-BMXX  
KEY-A CONFIGURATION  
STANDARD COLOR: GREY



P/N AT13-12PB-BMXX  
KEY-B CONFIGURATION  
STANDARD COLOR: BLACK



AT13-12PA-BMXX VARIANTS		
CONTACT PLATING	POTTING OR NOT IN RESERVOIR	PART NUMBER
GOLD	NO POTTING	AT13-12PA-BM01
GOLD	POTTING	AT13-12PA-BM02
TIN	NO POTTING	AT13-12PA-BM03
TIN	POTTING	AT13-12PA-BM04

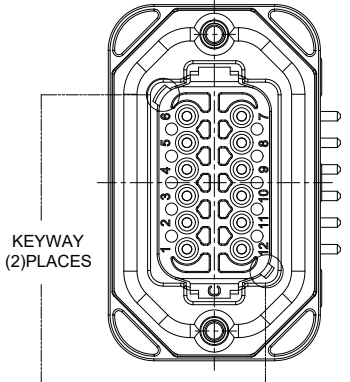
AT13-12PB-BMXX VARIANTS		
CONTACT PLATING	POTTING OR NOT IN RESERVOIR	PART NUMBER
GOLD	NO POTTING	AT13-12PB-BM01
GOLD	POTTING	AT13-12PB-BM02
TIN	NO POTTING	AT13-12PB-BM03
TIN	POTTING	AT13-12PB-BM04

AT13-12PX-BMXX		DESCRIPTION		ITEM
PART NUMBER				
<b>QUANTITY</b>				
<b>MATERIALS LIST</b>				
<small>UNLESS OTHERWISE SPECIFIED</small> 1) All dimensions are in metric (mm). 2) Tolerances are as follows: 1 PL DEC ±0.30   Fractions ±1/64 2 PL DEC ±0.15 3 PL DEC ±0.08 3) Note reference =		<small>SIGNATURES</small> DRAWN: JONY.XIE   19JUN18 CHECKED: ORION.LI   19JUN18 APPROVAL: TOMMY.XIE   19JUN18		<h1 style="margin: 0;">Amphenol</h1> <p style="margin: 0; font-size: small;">Sine Systems - www.amphenol-sine.com 44724 Morley Drive Clinton Township, MI 48036</p>
<small>MATERIAL SPECIFICATIONS:</small>  <small>PROCESS SPECIFICATIONS:</small>  <small>NEXT ASSY:</small>		<small>CUSTOMER:</small> THIS DRAWING IS SUPPLIED FOR INFORMATION ONLY. DESIGN FEATURES, SPECIFICATIONS AND PERFORMANCE DATA SHOWN HEREON ARE THE PROPERTY OF THE AMPHENOL CORPORATION. NO RIGHTS OF REPRODUCTION ARE IMPLIED. ALL DIMENSIONS ARE SUBJECT TO NORMAL MANUFACTURING VARIATIONS.		
		<small>SIZE</small> <b>B C-</b>	<small>TYPE</small> <b>C-</b>	<small>REVISION</small> <b>A1</b>
		<small>SCALE:</small> NONE	<small>SHEET</small> 2 <small>OF</small> 3	

TITLE: PCB MOUNT RECEPTACLE, 12PIN RA FLANGE AT SERIES  
 DWG NO.: AT13-12PX-BMXX  
 REV: A1  
 SH: 2  
 OF: 3

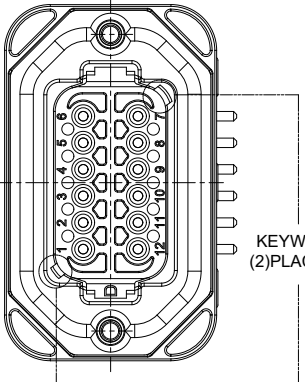
REVISIONS					
REV	ECO	DESCRIPTION	DATE	BY	APPR
A1	--	RELEASE NEW DRAWING	19JUN18	JONY	TOMMY

P/N AT13-12PC-BMXX  
KEY-C CONFIGURATION  
STANDARD COLOR: GREEN



KEYWAY  
(2)PLACES

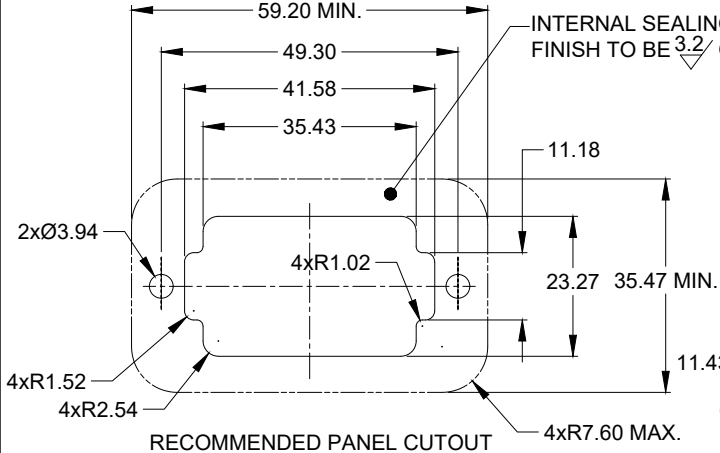
P/N AT13-12PD-BMXX  
KEY-D CONFIGURATION  
STANDARD COLOR: BROWN



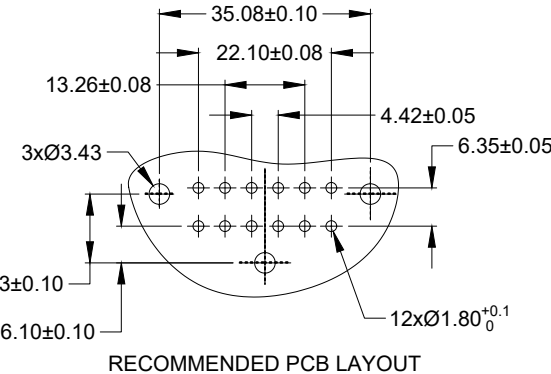
KEYWAY  
(2)PLACES

AT13-12PC-BMXX VARIANTS		
CONTACT PLATING	POTTING OR NOT IN RESERVOIR	PART NUMBER
GOLD	NO POTTING	AT13-12PC-BM01
GOLD	POTTING	AT13-12PC-BM02
TIN	NO POTTING	AT13-12PC-BM03
TIN	POTTING	AT13-12PC-BM04

AT13-12PD-BMXX VARIANTS		
CONTACT PLATING	POTTING OR NOT IN RESERVOIR	PART NUMBER
GOLD	NO POTTING	AT13-12PD-BM01
GOLD	POTTING	AT13-12PD-BM02
TIN	NO POTTING	AT13-12PD-BM03
TIN	POTTING	AT13-12PD-BM04



INTERNAL SEALING SURFACE  
FINISH TO BE 3.2 OR BETTER  $\sqrt{0.13}$



AT13-12PX-BMXX		DESCRIPTION		ITEM
PART NUMBER				
<b>MATERIALS LIST</b>				
QUANTITY	SIGNATURES	DATE	 Sine Systems - www.amphenol-sine.com 44724 Morley Drive Clinton Township, MI 48036 <b>PCB MOUNT RECEPTACLE, 12PIN RA FLANGE, AT SERIES</b>	
UNLESS OTHERWISE SPECIFIED 1) All dimensions are in metric(mm). 2) Tolerances are as follows: 1 PL DEC ±0.30   Fractions ±1/64 2 PL DEC ±0.15 3 PL DEC ±0.08 3) Note reference = $\Delta$	DRAWN: JONY.XIE	19JUN18		
	CHECKED: ORION.LI	19JUN18		
	ENGINEER: TOMMY.XIE	19JUN18		
MATERIAL SPECIFICATIONS:	APPROVAL:		CUSTOMER:	
PROCESS SPECIFICATIONS:	THIS DRAWING IS SUPPLIED FOR INFORMATION ONLY. DESIGN FEATURES, SPECIFICATIONS AND PERFORMANCE DATA SHOWN HEREON ARE THE PROPERTY OF THE AMPHENOL CORPORATION. NO RIGHTS OF REPRODUCTION ARE IMPLIED. ALL DIMENSIONS ARE SUBJECT TO NORMAL MANUFACTURING VARIATIONS.			
NEXT ASSY:	SIZE: <b>B C-</b>	TYPE:	DWG NO: <b>AT13-12PX-BMXX</b>	REVISION: <b>A1</b>
	SCALE: NONE		SHEET 3 OF 3	

TITLE: PCB MOUNT RECEPTACLE 12PIN RA FLANGE AT SERIES  
DWG NO: AT13-12PX-BMXX  
REV: A1  
SH: 3  
OF: 3



Компания «ЭлектроПласт» предлагает заключение долгосрочных отношений при поставках импортных электронных компонентов на взаимовыгодных условиях!

Наши преимущества:

- Оперативные поставки широкого спектра электронных компонентов отечественного и импортного производства напрямую от производителей и с крупнейших мировых складов;
- Поставка более 17-ти миллионов наименований электронных компонентов;
- Поставка сложных, дефицитных, либо снятых с производства позиций;
- Оперативные сроки поставки под заказ (от 5 рабочих дней);
- Экспресс доставка в любую точку России;
- Техническая поддержка проекта, помощь в подборе аналогов, поставка прототипов;
- Система менеджмента качества сертифицирована по Международному стандарту ISO 9001;
- Лицензия ФСБ на осуществление работ с использованием сведений, составляющих государственную тайну;
- Поставка специализированных компонентов (Xilinx, Altera, Analog Devices, Intersil, Interpoint, Microsemi, Aeroflex, Peregrine, Syfer, Eurofarad, Texas Instrument, Miteq, Cobham, E2V, MA-COM, Hittite, Mini-Circuits, General Dynamics и др.);

Помимо этого, одним из направлений компании «ЭлектроПласт» является направление «Источники питания». Мы предлагаем Вам помощь Конструкторского отдела:

- Подбор оптимального решения, техническое обоснование при выборе компонента;
- Подбор аналогов;
- Консультации по применению компонента;
- Поставка образцов и прототипов;
- Техническая поддержка проекта;
- Защита от снятия компонента с производства.



#### Как с нами связаться

**Телефон:** 8 (812) 309 58 32 (многоканальный)

**Факс:** 8 (812) 320-02-42

**Электронная почта:** [org@eplast1.ru](mailto:org@eplast1.ru)

**Адрес:** 198099, г. Санкт-Петербург, ул. Калинина, дом 2, корпус 4, литера А.